



US00D987270S

(12) **United States Design Patent**
Rezaie

(10) **Patent No.:** **US D987,270 S**

(45) **Date of Patent:** **** May 30, 2023**

(54) **WALKING SHOE**

(71) Applicant: **Olem Shoe Corp.**, Miami, FL (US)

(72) Inventor: **Shahin Rezaie**, Miami, FL (US)

(**) Term: **15 Years**

(21) Appl. No.: **29/785,754**

(22) Filed: **May 27, 2021**

(51) **LOC (14) Cl.** **02-04**

(52) **U.S. Cl.**
USPC **D2/969**

(58) **Field of Classification Search**

USPC D2/896, 900, 902, 904, 906-908,
D2/916-924, 925-945, 969-979
CPC A43B 1/00; A43B 1/02; A43B 1/04; A43B
3/00; A43B 3/02; A43B 3/06; A43B 3/10;
A43B 3/12; A43B 3/14; A43B 5/00;
A43B 5/001; A43B 5/002; A43B 5/008;
A43B 5/06; A43B 5/10; A43B 5/12;
A43B 23/00; A43B 23/02; A43B 23/04

See application file for complete search history.

(56) **References Cited**

U.S. PATENT DOCUMENTS

D119,654 S *	3/1940	Chedekel	D2/923
2,212,610 A *	8/1940	Lyness	A43B 3/14
			36/11
2,233,978 A *	3/1941	Gustin	A43B 3/14
			36/11
D246,943 S *	1/1978	Fukuoka	D2/924
4,685,223 A *	8/1987	Long	A43B 9/14
			36/19 R
D293,270 S *	12/1987	Radford	D2/924
D296,606 S *	7/1988	Sorofman	D2/924
D303,451 S *	9/1989	Weiner	D2/908
D333,379 S *	2/1993	Tonkel	D2/969
D359,840 S *	7/1995	Blanchini	D2/944
D481,856 S *	11/2003	Belley	D2/969
D500,192 S *	12/2004	Belley	D2/969

D564,194 S *	3/2008	Horne	D2/969
D587,882 S *	3/2009	Wolf	D2/909
D624,288 S *	9/2010	Choi	D2/896
D632,876 S *	2/2011	Choi	D2/896
D639,037 S *	6/2011	McVicker	D2/923
D660,566 S *	5/2012	Van Zyll De Jong	D2/945
D685,163 S *	7/2013	Kampff	D2/896
D694,997 S *	12/2013	Del Biondi	D2/923
D695,500 S *	12/2013	Bove	D2/923
D697,291 S *	1/2014	Zaedow	D2/923

(Continued)

OTHER PUBLICATIONS

Hey Dude Men's Wally Funk-Multiple Colors and Size, Amazon.com, Date First Available: May 15, 2018, [online], [site visited Feb. 3, 2023]. <URL: <https://www.amazon.com/Hey-Dude-Mens-Wally-Slip/dp/B09GF1RWH5>> (Year: 2018).*

(Continued)

Primary Examiner — Jonathan J Han
(74) *Attorney, Agent, or Firm* — Sanchelima & Associates, P.A.; Christian Sanchelima; Jesus Sanchelima

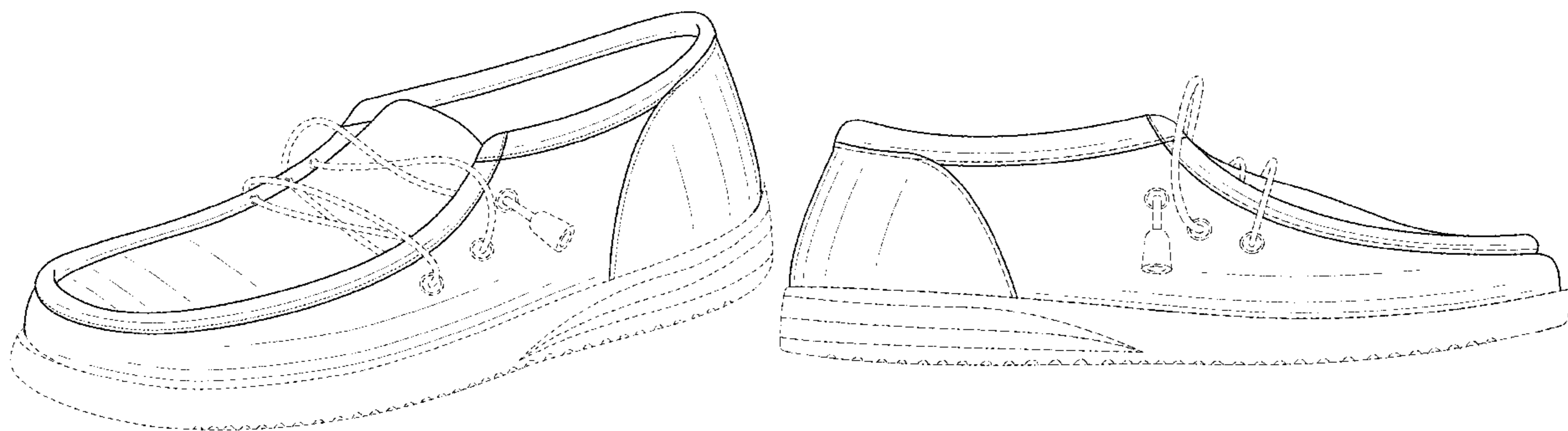
(57) **CLAIM**

The ornamental design for the walking shoe, as shown and described.

DESCRIPTION

FIG. 1 is a perspective view of a walking shoe showing my new design;
FIG. 2 is a front view thereof;
FIG. 3 is a rear view thereof;
FIG. 4 is a right side view thereof;
FIG. 5 is a left side view thereof;
FIG. 6 is a top view thereof; and,
FIG. 7 is a bottom view thereof.
The broken lines shown in the drawings show portions of the walking shoe that form no part of the claimed design.

1 Claim, 3 Drawing Sheets



(56)

References Cited

U.S. PATENT DOCUMENTS

D709,272 S * 7/2014 Del Biondi D2/923
D712,642 S * 9/2014 Taestensen D2/944
D756,614 S * 5/2016 Weddle D2/906
D760,484 S * 7/2016 Del Biondi D2/923
D781,029 S * 3/2017 Freedman D2/908
D811,059 S * 2/2018 Matsuo D2/947
D871,032 S * 12/2019 Radabaugh D2/923
D884,320 S * 5/2020 Fongher D2/944
D948,180 S * 4/2022 Lai D2/944
D948,181 S * 4/2022 Lai D2/944
D969,467 S * 11/2022 Bowman D2/924
2016/0206037 A1 * 7/2016 McCormick A43B 7/088

OTHER PUBLICATIONS

10 Best Clarks Shoes for Men, FootwearNews.com, By Allie Fasanella, Mar. 18, 2021 5:07PM EDT, [online], [site visited Feb. 3, 2023]. <URL: <https://footwearnews.com/feature/best-clarks-mens-shoes-1202814059/>> (Year: 2021).*

* cited by examiner

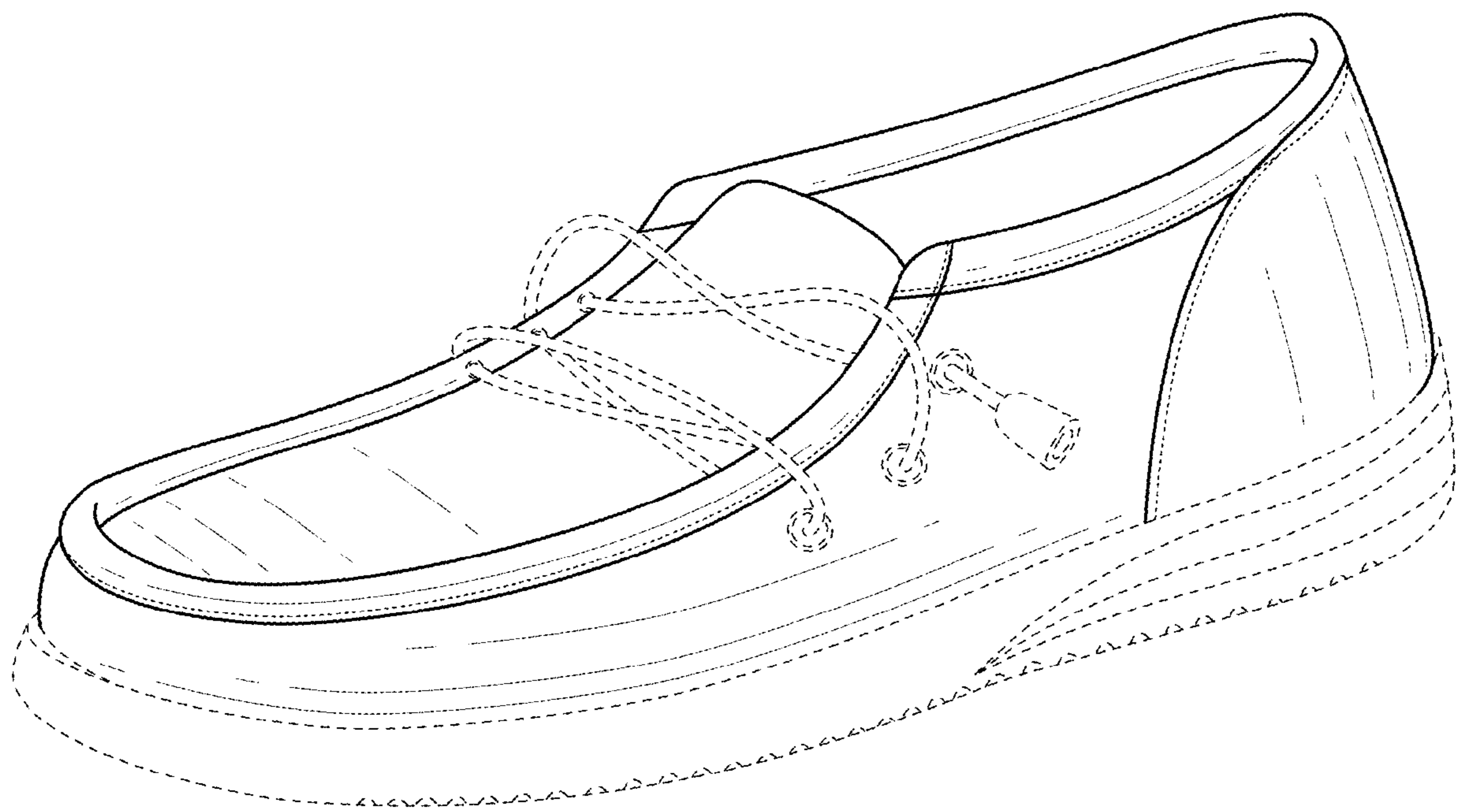


FIG. 1

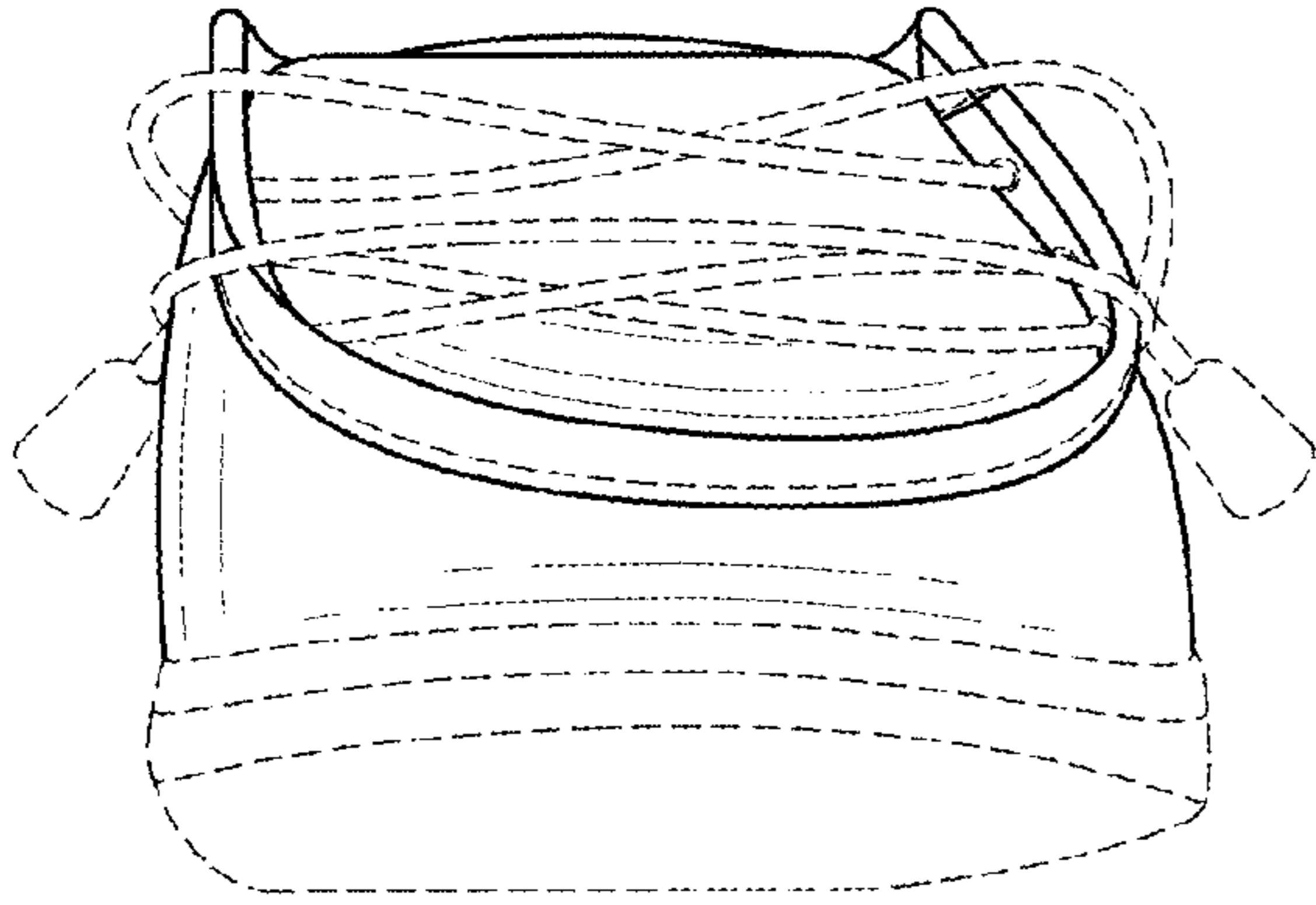


FIG. 2

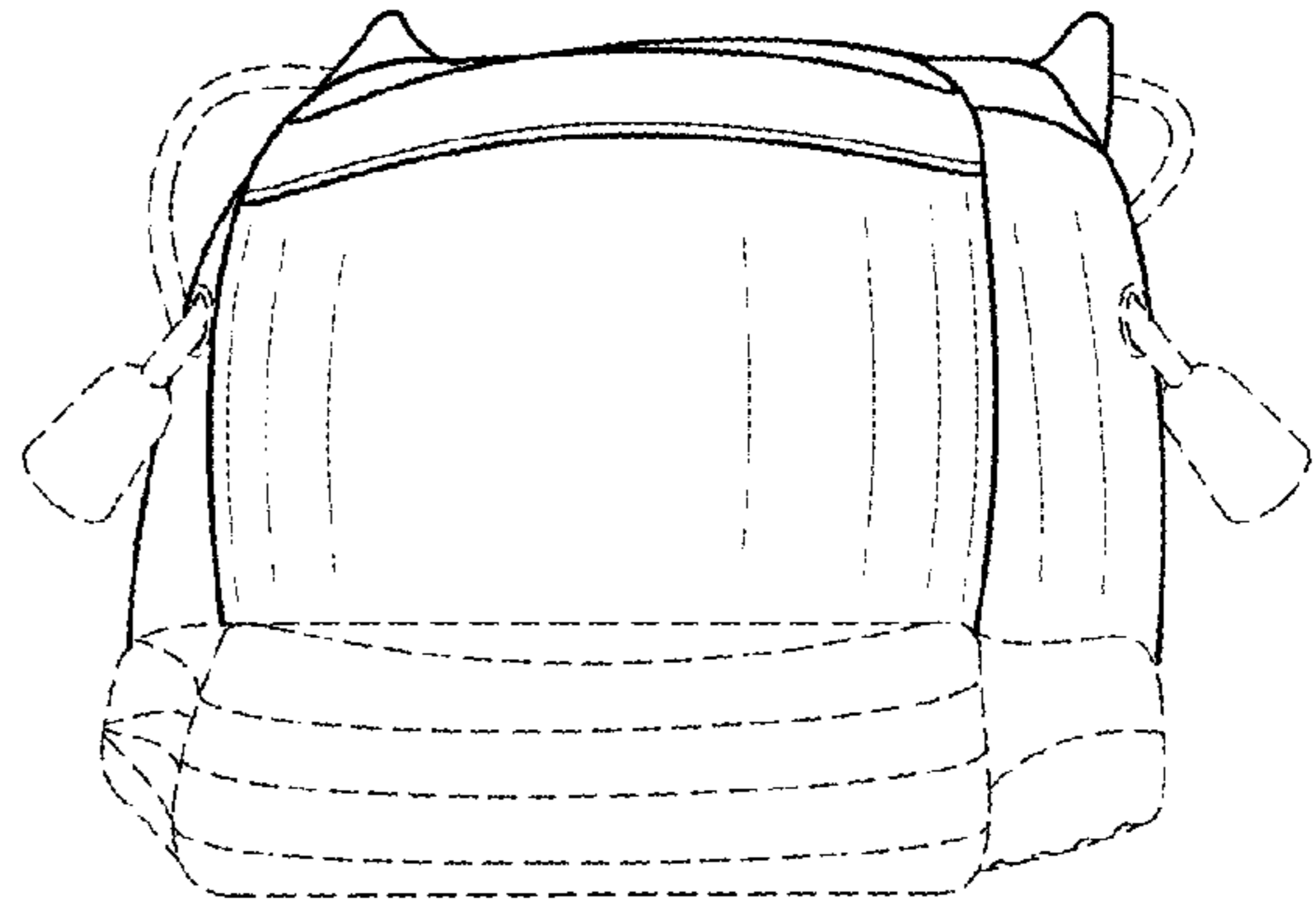


FIG. 3

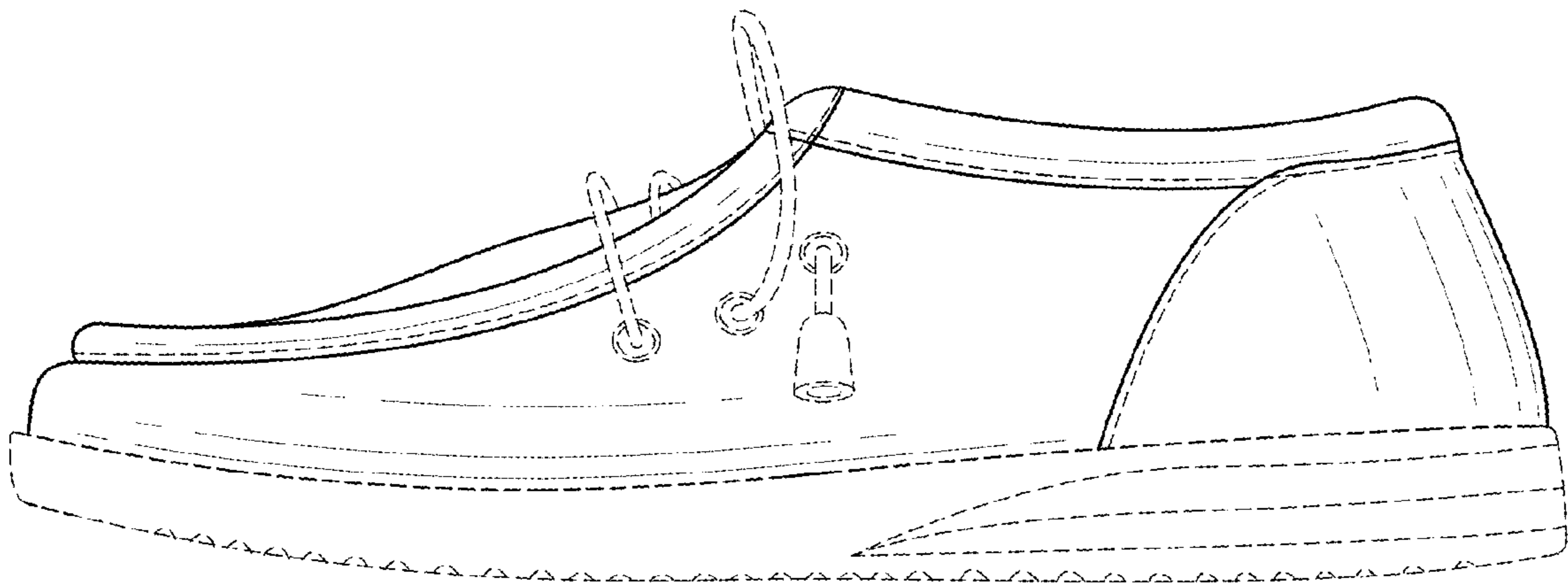


FIG. 4

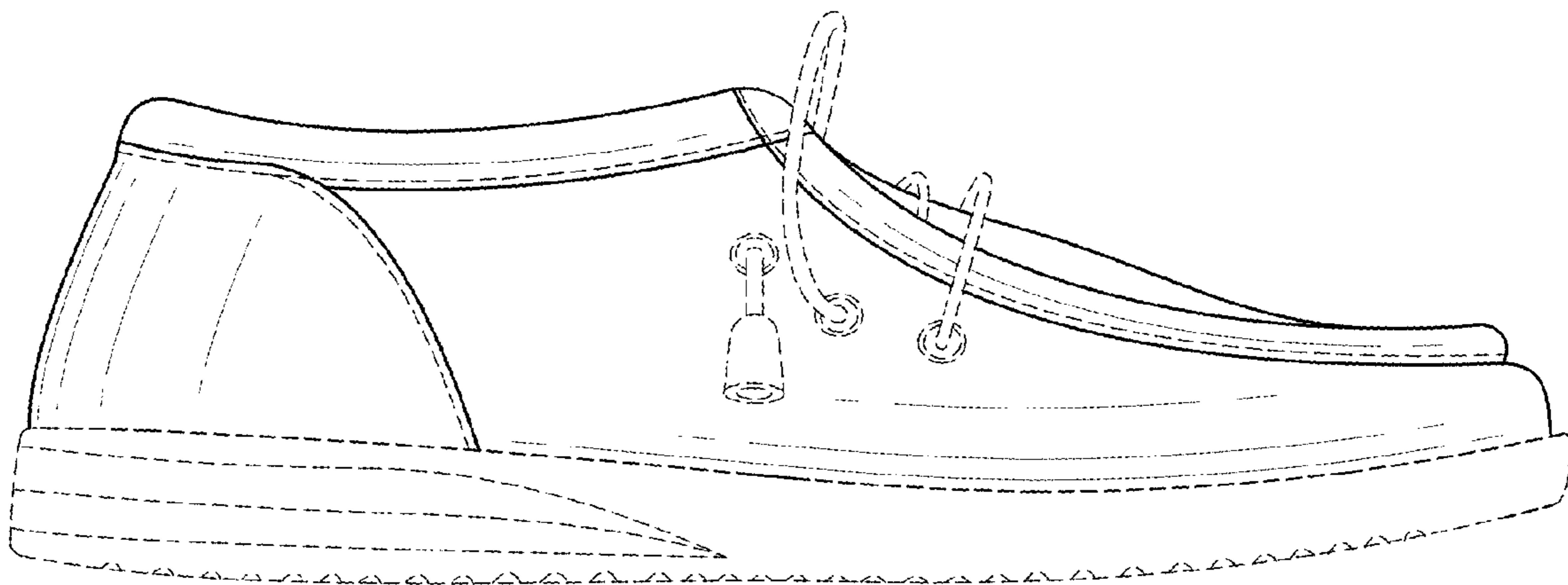


FIG. 5

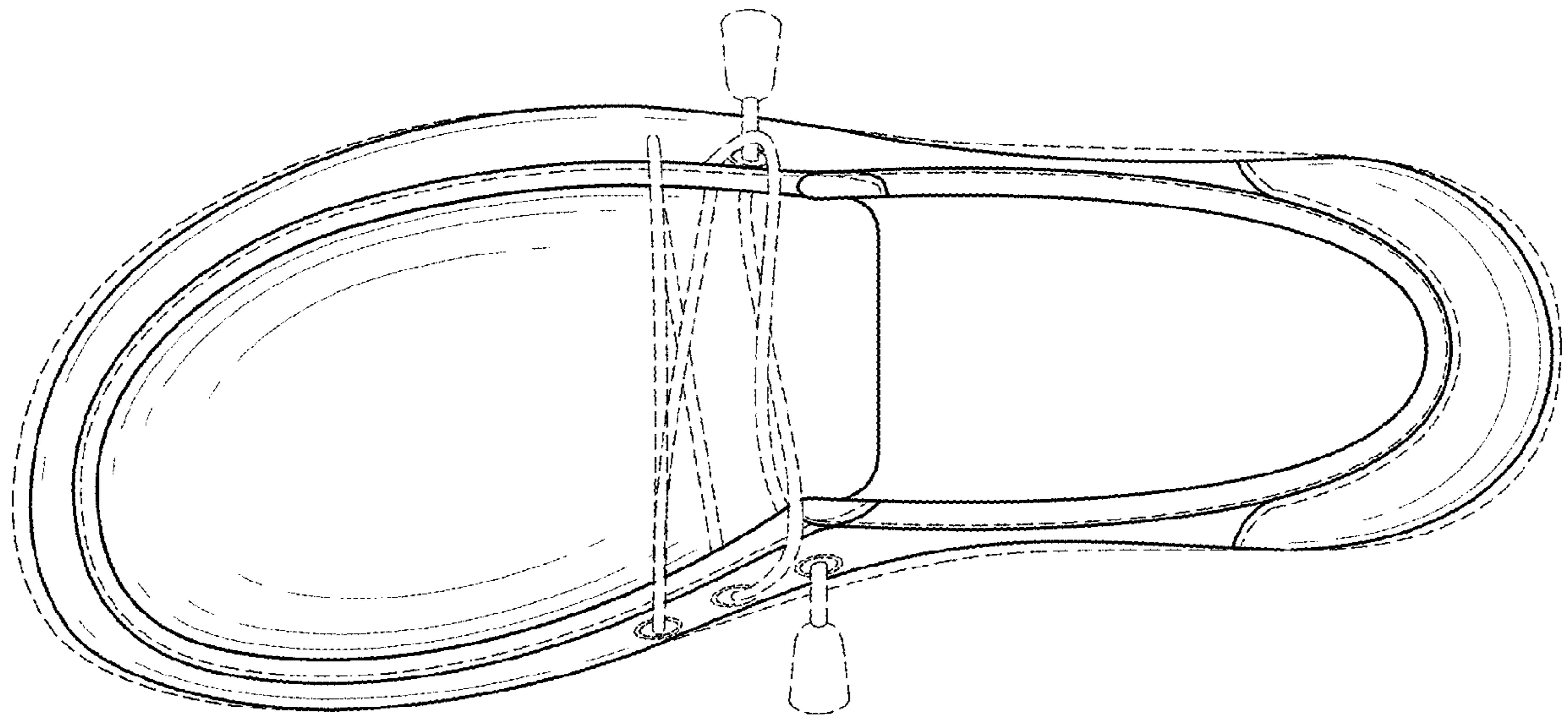


FIG. 6

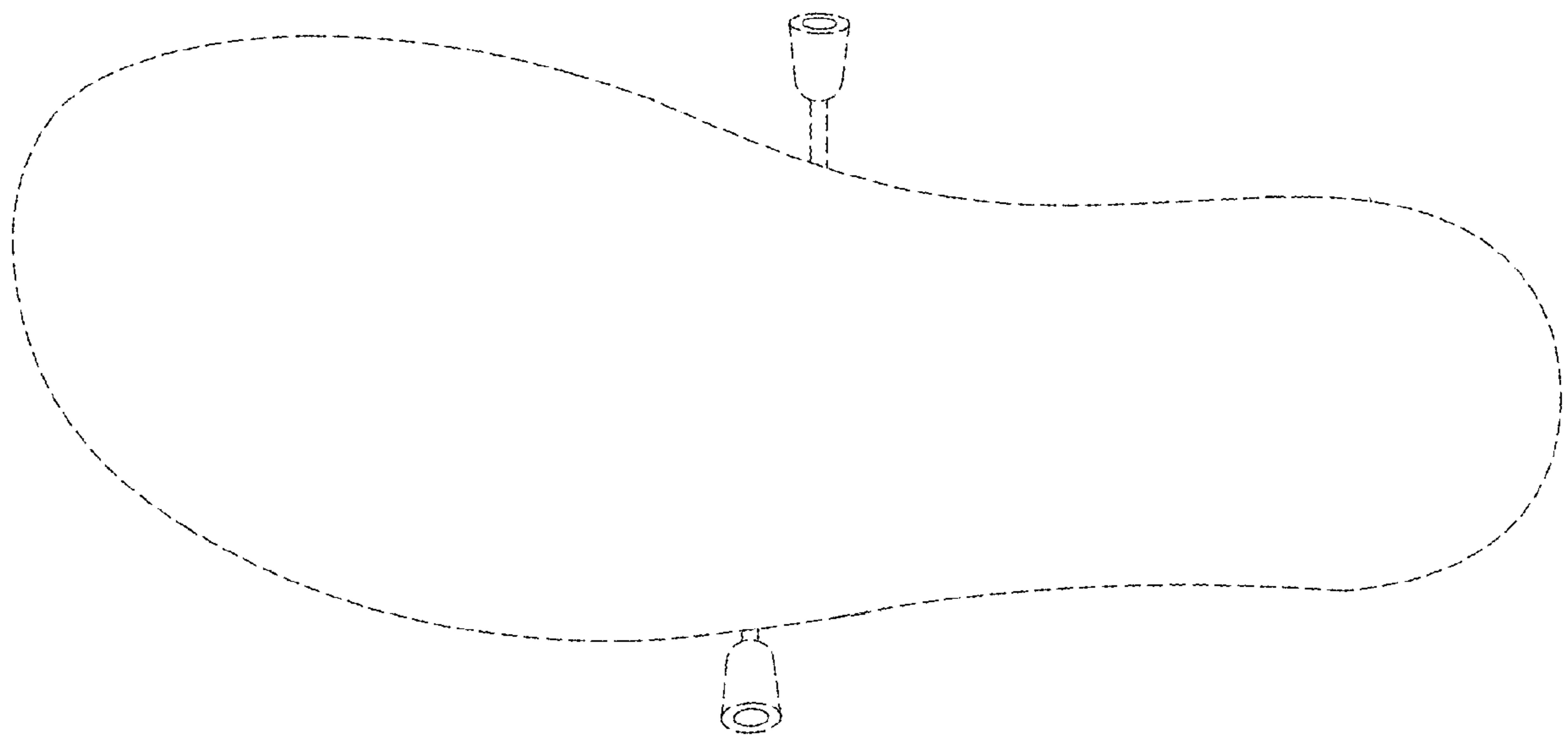


FIG. 7