



US00D987266S

(12) **United States Design Patent**
Bettin

(10) **Patent No.:** **US D987,266 S**

(45) **Date of Patent:** **** May 30, 2023**

(54) **SOLE FOR FOOTWEAR**

(71) Applicant: **FLY S.R.L.**, Silea (IT)

(72) Inventor: **Dimitri Bettin**, Silea (IT)

(**) Term: **15 Years**

(21) Appl. No.: **35/513,306**

(22) Filed: **Jun. 28, 2021**

(80) **Hague Agreement Data**

Int. Filing Date: **Jun. 28, 2021**

Int. Reg. No.: **DM/216851**

Int. Reg. Date: **Jun. 28, 2021**

Int. Reg. Pub. Date: **Dec. 31, 2021**

(51) **LOC (14) Cl.** **02-04**

(52) **U.S. Cl.**

USPC **D2/955**; D2/947; D2/951; D2/960

(58) **Field of Classification Search**

USPC D2/902, 906, 908, 916, 918, 925,
D2/946-962, 977; 36/3 B, 22 R, 24.5,
36/25 R, 28, 32 R, 34 R, 59 C, 67 A, 103
CPC A43B 13/00; A43B 13/02; A43B 13/023;
A43B 13/026; A43B 13/04; A43B 13/08;
A43B 13/10; A43B 13/12; A43B 13/14;
A43B 13/141; A43B 13/143; A43B
13/16; A43B 13/18; A43B 13/181; A43B
13/187; A43B 13/189; A43B 13/20; A43B
13/22; A43B 13/223; A43B 13/24; A43B
13/28; A43B 13/30; A43B 13/32; A43B
13/34; A43B 13/36

See application file for complete search history.

(56) **References Cited**

U.S. PATENT DOCUMENTS

510,504 A * 12/1893 Foster A43B 13/20
36/35 B
D125,656 S * 3/1941 Cutler D2/955

D234,930 S * 4/1975 Arambasic D2/955
4,449,307 A * 5/1984 Stubblefield A43B 13/223
36/114
D275,146 S * 8/1984 Kilgore D2/955
4,541,186 A * 9/1985 Mulvihill A43B 5/00
36/43
D281,543 S * 12/1985 Nagano D2/955
D281,641 S * 12/1985 Shiki D2/955
D284,420 S * 7/1986 Tong D2/955
D285,023 S * 8/1986 Tong D2/955
D285,984 S * 10/1986 Tong D2/955
4,653,206 A * 3/1987 Tanel A43B 3/0042
36/134
D292,541 S * 11/1987 Kelley D2/955
D298,883 S * 12/1988 Tanel D2/949
D305,381 S * 1/1990 Mitsui D2/953
D327,976 S * 7/1992 Biotteau D2/953
5,313,718 A * 5/1994 McMahon A43B 3/0042
36/31
D353,483 S * 12/1994 Bailey D2/916
5,561,919 A * 10/1996 Gill A43B 13/12
36/11.5
D458,739 S * 6/2002 Merceron D2/954
D504,555 S * 5/2005 Urie D2/954
D563,091 S * 3/2008 St-Louis D2/916
D569,587 S * 5/2008 James D2/908
D569,588 S * 5/2008 James D2/908
D618,894 S * 7/2010 Tæstensen D2/951
D665,981 S * 8/2012 Hill D2/917
D671,724 S * 12/2012 Avar D2/954
D711,079 S * 8/2014 Issler D2/917

(Continued)

Primary Examiner — T Chase Nelson

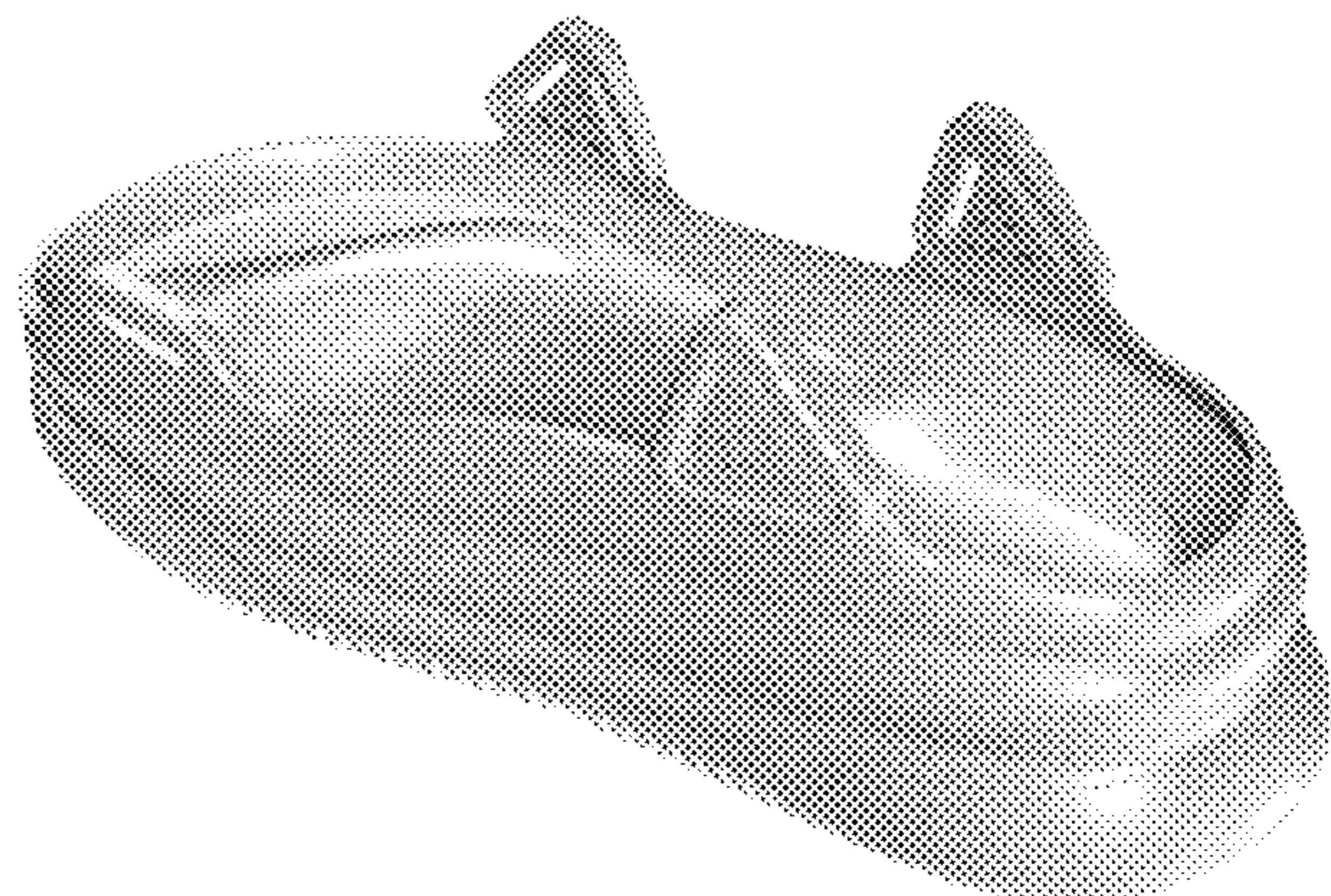
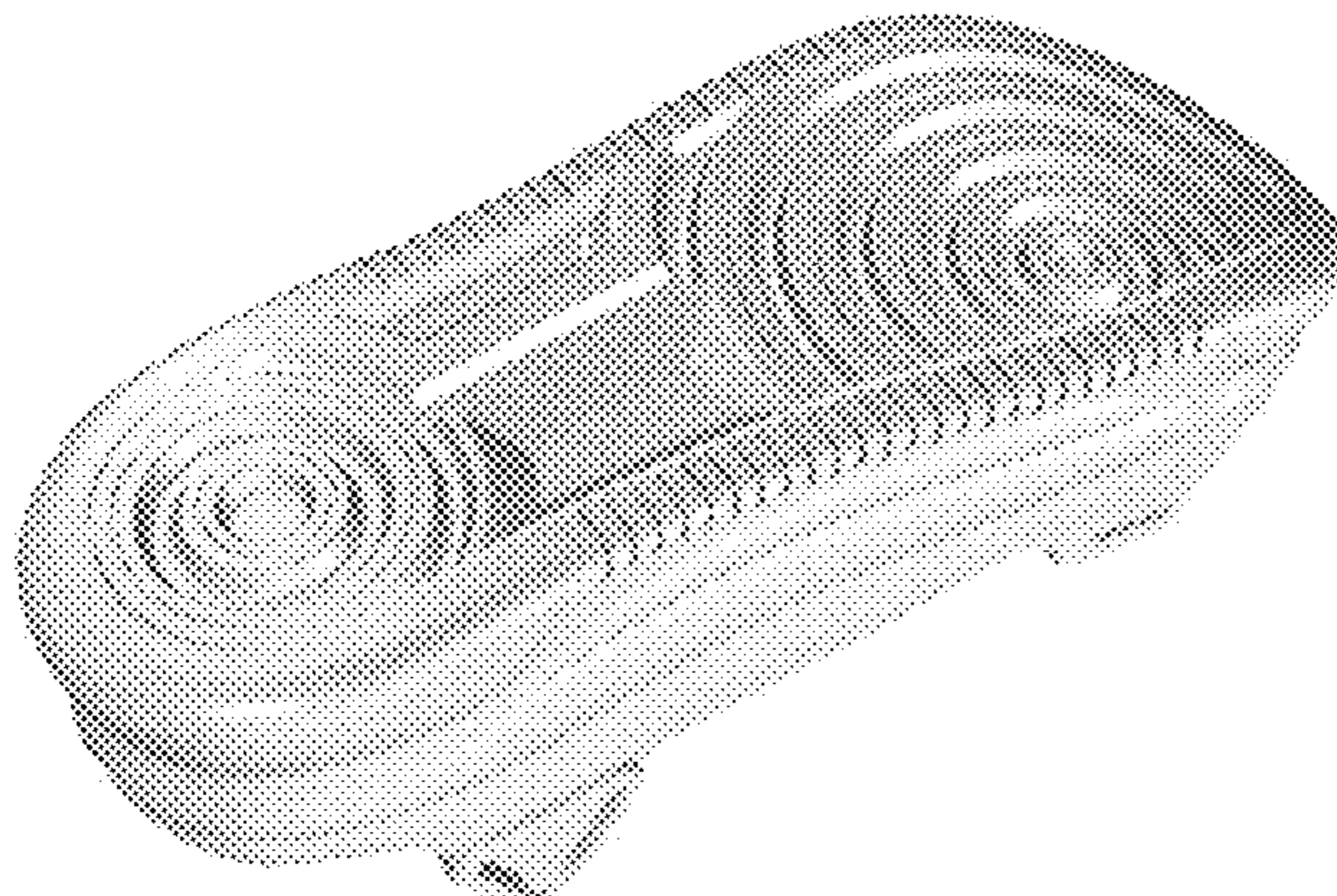
(57) **CLAIM**

The ornamental design for a sole for footwear, as shown and described.

DESCRIPTION

- 1. Sole for footwear
- 1.1: Bottom
- 1.2: Front
- 1.3: Back

1 Claim, 3 Drawing Sheets



(56)

References Cited

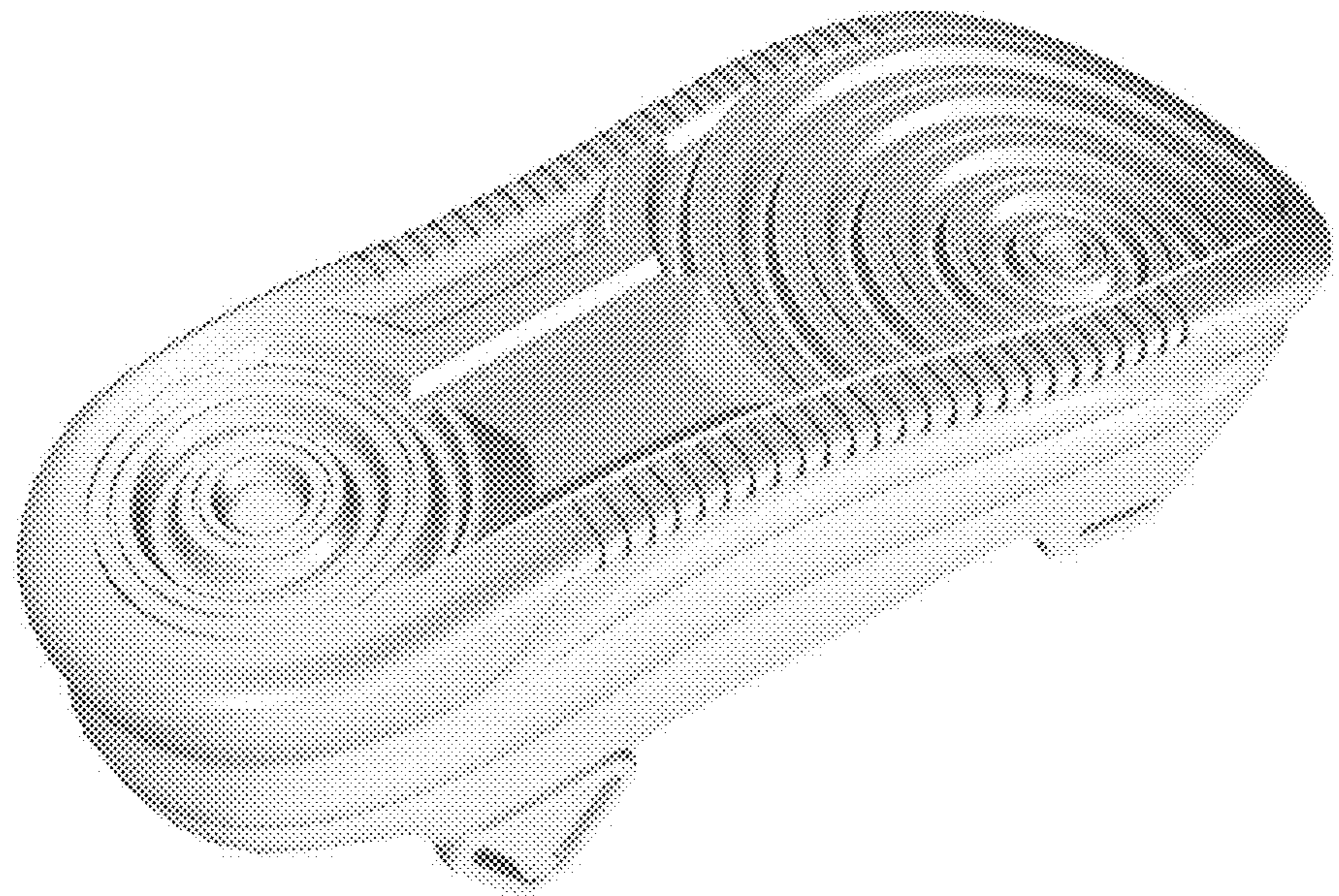
U.S. PATENT DOCUMENTS

D734,010 S * 7/2015 Fischer D2/961
 D736,502 S * 8/2015 Helwig D2/916
 D771,916 S * 11/2016 Helwig D2/916
 D781,542 S * 3/2017 McGhee D2/947
 D783,245 S * 4/2017 Hatfield D2/947
 D789,052 S * 6/2017 Hardman D2/947
 D793,683 S * 8/2017 Winfield D2/955
 D796,165 S * 9/2017 Helwig D2/916
 D802,271 S * 11/2017 Chang D2/954
 D804,158 S * 12/2017 Nykreim D2/951
 D804,791 S * 12/2017 Shyllon D2/954
 D814,764 S * 4/2018 Issler D2/971
 D818,674 S * 5/2018 Celin D2/916
 D833,722 S * 11/2018 Durflinger D2/954
 D837,498 S * 1/2019 Winfield D2/954
 D838,089 S * 1/2019 Celin D2/916
 D840,139 S * 2/2019 Ikeda D2/954
 D841,958 S * 3/2019 Reyes D2/954
 D846,842 S * 4/2019 Brinkhof D2/916
 D861,304 S * 10/2019 Avar D2/954
 D862,056 S * 10/2019 Wang D2/947
 D885,026 S * 5/2020 Dean D2/954
 D885,735 S * 6/2020 Hardy D2/959
 D887,118 S * 6/2020 Enayah D2/947
 D905,412 S * 12/2020 Fogg D2/969
 D905,953 S * 12/2020 Rauner D2/973
 D910,993 S * 2/2021 Holmes D2/954

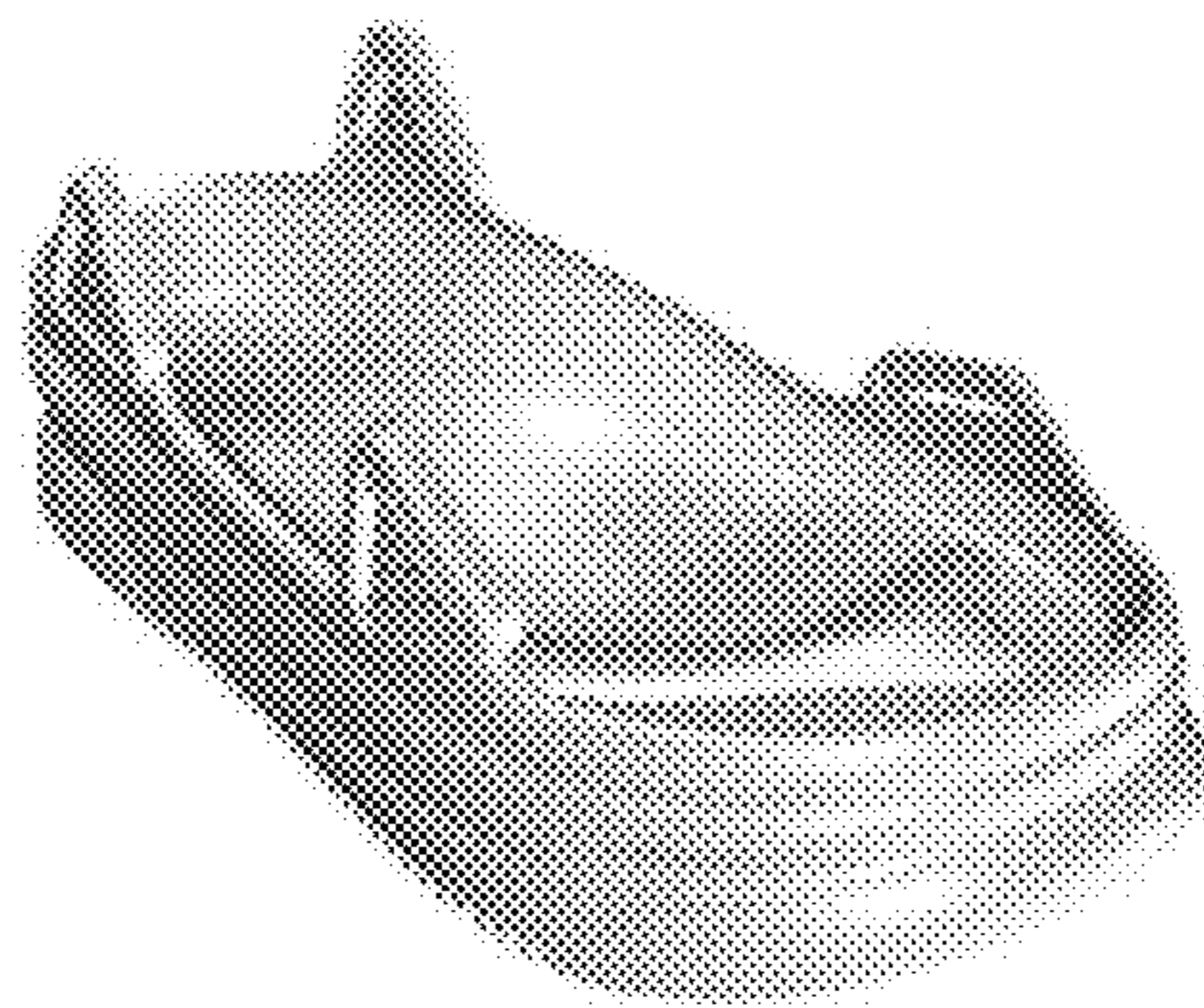
D911,000 S * 2/2021 Holmes D2/954
 D913,660 S * 3/2021 Rist D2/947
 D923,924 S * 7/2021 Papp D2/947
 D929,718 S * 9/2021 Hardy D2/952
 D932,748 S * 10/2021 Patillon D2/908
 D933,340 S * 10/2021 Celin D2/916
 D941,002 S * 1/2022 Sogorb D2/947
 D941,564 S * 1/2022 Street D2/947
 D942,746 S * 2/2022 Sokol D2/954
 D949,524 S * 4/2022 Huang D2/900
 D952,299 S * 5/2022 Page D2/947
 D952,311 S * 5/2022 Giard D2/916
 D953,002 S * 5/2022 Mazza D2/955
 D959,802 S * 8/2022 Sukkar D2/947
 D960,536 S * 8/2022 Rist D2/896
 D960,543 S * 8/2022 Chen D2/947
 D964,704 S * 9/2022 Sagat A43B 13/12
 D2/947
 2010/0257752 A1 * 10/2010 Goldston A43B 7/148
 36/108
 2012/0005921 A1 * 1/2012 Diepenbrock A43B 3/0042
 36/43
 2017/0020228 A1 * 1/2017 Scofield A43B 13/122
 2019/0350304 A1 * 11/2019 Velazquez A43B 5/00
 2020/0170343 A1 * 6/2020 Bailly A43B 13/203
 2020/0268103 A1 * 8/2020 Levy A43B 13/36
 2020/0305544 A1 * 10/2020 Cross A43B 13/14
 2023/0038864 A1 * 2/2023 Redon A43C 15/02

* cited by examiner

1.1



1.2



1.3

