



US00D987243S

(12) **United States Design Patent** (10) **Patent No.:** **US D987,243 S**
Fongher et al. (45) **Date of Patent:** **** May 30, 2023**

(54) **FOOTWEAR**
(71) Applicant: **Crocs, Inc.**, Broomfield, CO (US)
(72) Inventors: **Federico Fongher**, Villatora di Saonara (IT); **Andrea Paolo Maritan**, Noventa Padovana (IT)
(73) Assignee: **Crocs, Inc.**, Broomfield, CO (US)

D801,011 S 10/2017 Del Biondi et al.
D804,155 S * 12/2017 Tzenos D2/923
D825,899 S 8/2018 Engerman
D873,544 S 1/2020 Fongher et al.
D874,797 S 2/2020 Fongher et al.
D935,749 S 11/2021 Fongher et al.
D948,845 S 4/2022 Fongher et al.
D959,105 S * 8/2022 Matsuo D2/916
D959,803 S * 8/2022 Lv D2/947
RE49,310 E * 11/2022 Abadjian D2/916

(**) Term: **15 Years**

OTHER PUBLICATIONS

(21) Appl. No.: **29/834,607**
(22) Filed: **Apr. 13, 2022**

Opposition filed by Evacol S.A.S. dated Nov. 25, 2020 to the registration of the Industrial Design titled: "Calzado" received in related Colombian Patent Application No. NC2020/0009768 (57 pages).
Japanese Office Action dated Apr. 27, 2021 received in related Japanese Patent Application No. 2020-016534 (pages).

Related U.S. Application Data

(63) Continuation of application No. 29/723,458, filed on Feb. 6, 2020, now Pat. No. Des. 948,845.
(51) **LOC (14) Cl.** **02-04**
(52) **U.S. Cl.**
USPC **D2/923**
(58) **Field of Classification Search**
USPC D2/896, 898, 899, 900, 916, 917, 918, D2/919, 923-926, 943, 946, 969, 972
CPC A43B 1/0081; A43B 3/12; A43B 3/10; A43B 3/102
See application file for complete search history.

* cited by examiner

Primary Examiner — Rashida C. Walshon
(74) *Attorney, Agent, or Firm* — Wilmer Cutler Pickering Hale and Dorr LLP

(57) **CLAIM**

The ornamental design for footwear, as shown and described.

DESCRIPTION

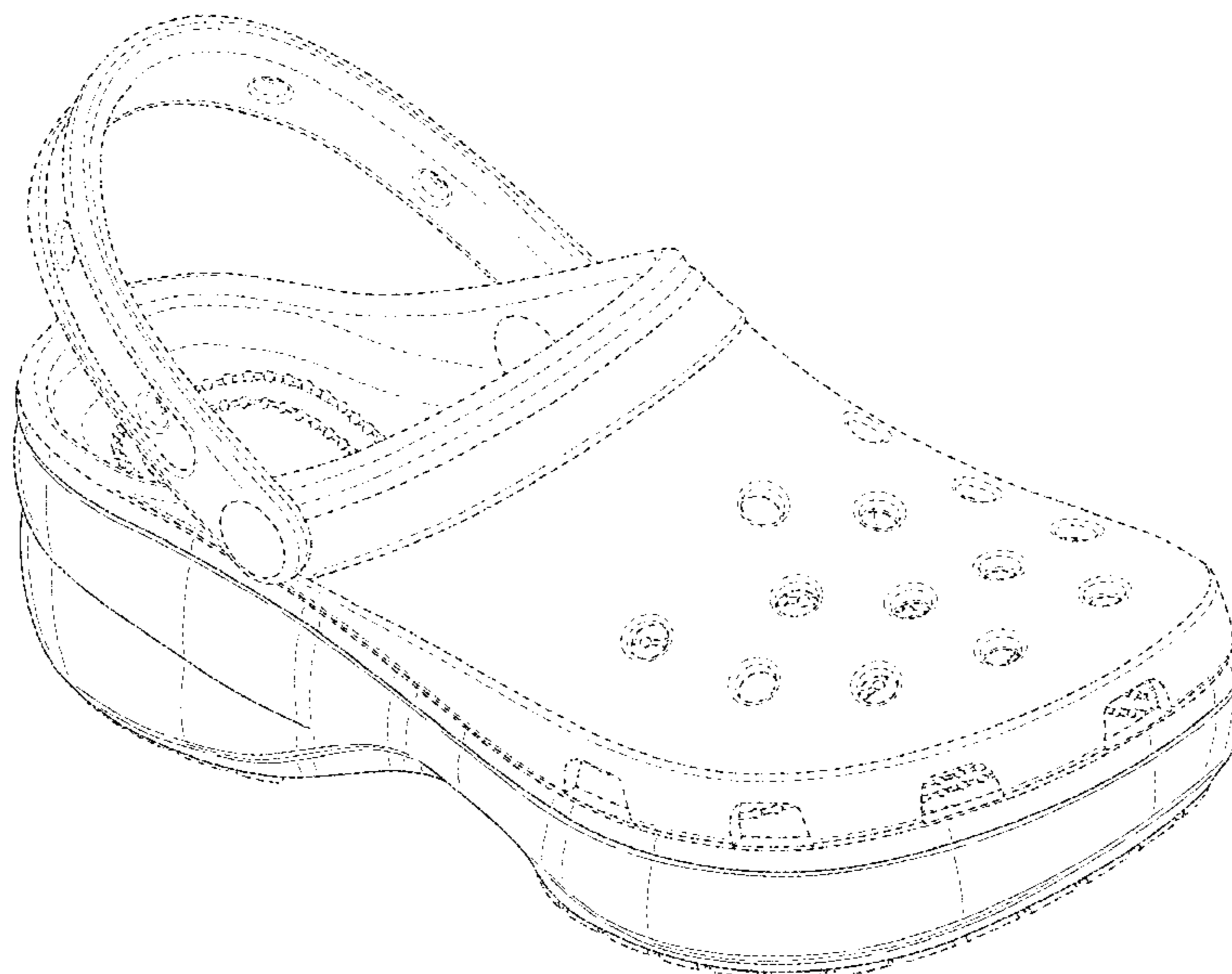
(56) **References Cited**

U.S. PATENT DOCUMENTS

D517,790 S * 3/2006 Seamans D2/969
D529,263 S 10/2006 Wolf
D579,182 S 10/2008 Klavano
D584,032 S 1/2009 Jarosik
D584,037 S 1/2009 del Biondi et al.
D667,612 S 9/2012 Del Biondi et al.
D726,397 S 4/2015 Del Biondi et al.
D747,079 S 1/2016 Carroll et al.
D764,153 S 8/2016 Engerman

FIG. 1 is a front perspective view of footwear;
FIG. 2 is a front view thereof;
FIG. 3 is a back view thereof;
FIG. 4 is an outer side view thereof;
FIG. 5 is an inner side view thereof;
FIG. 6 is a top view thereof; and,
FIG. 7 is a bottom view thereof.
The elements shown in FIGS. 1-7 in broken lines represent portions that form no part of the claimed design.

1 Claim, 7 Drawing Sheets



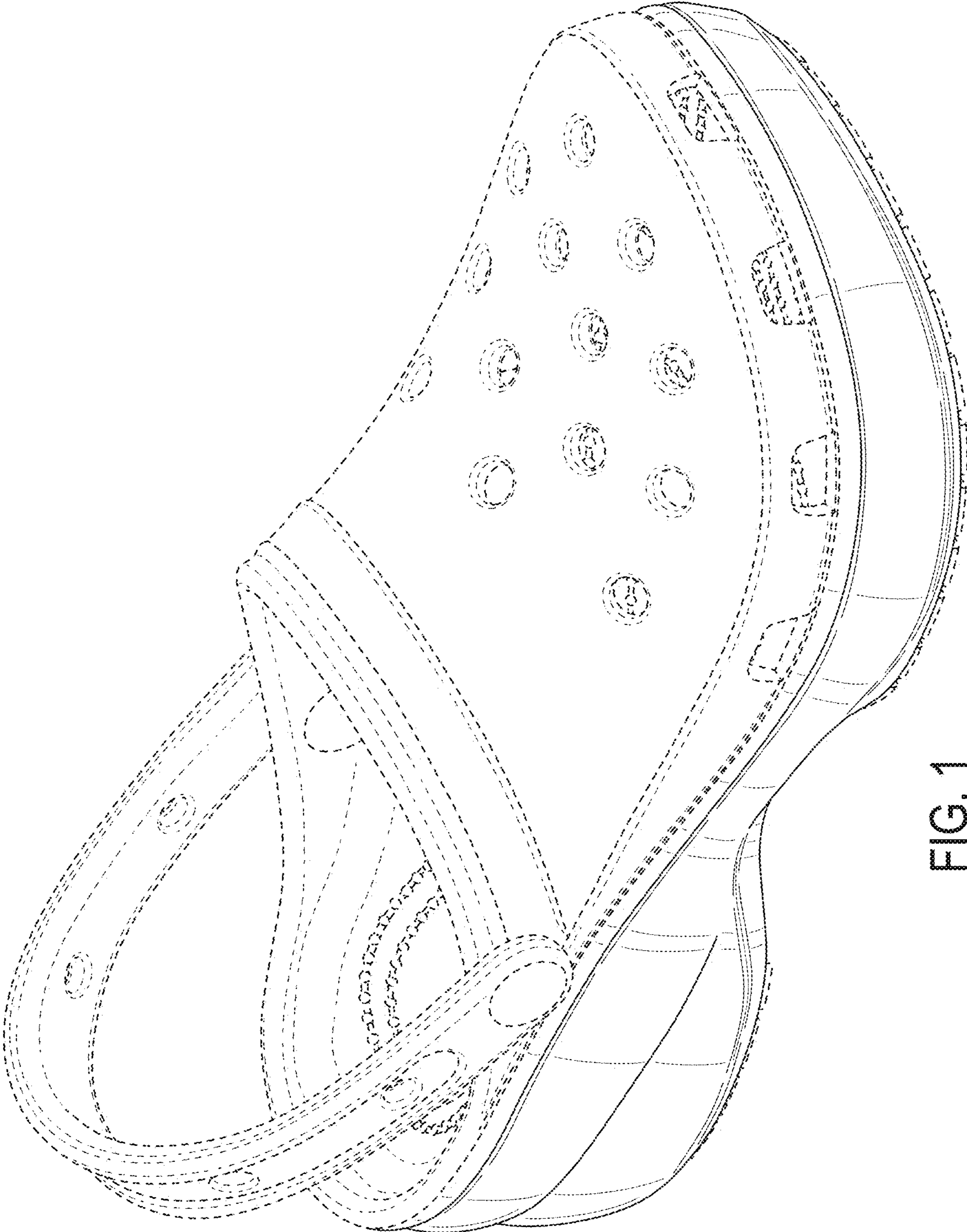


FIG. 1

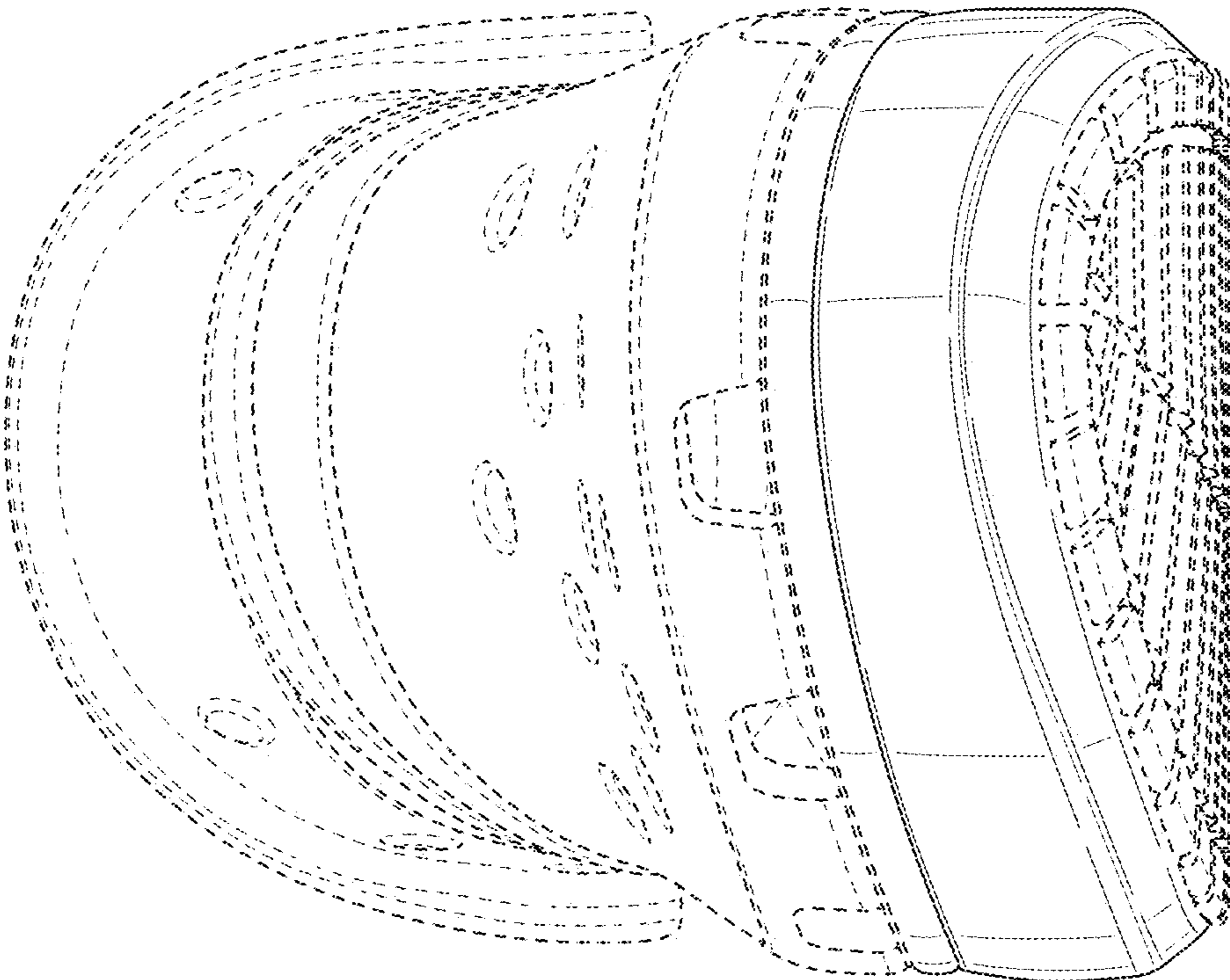


FIG. 2

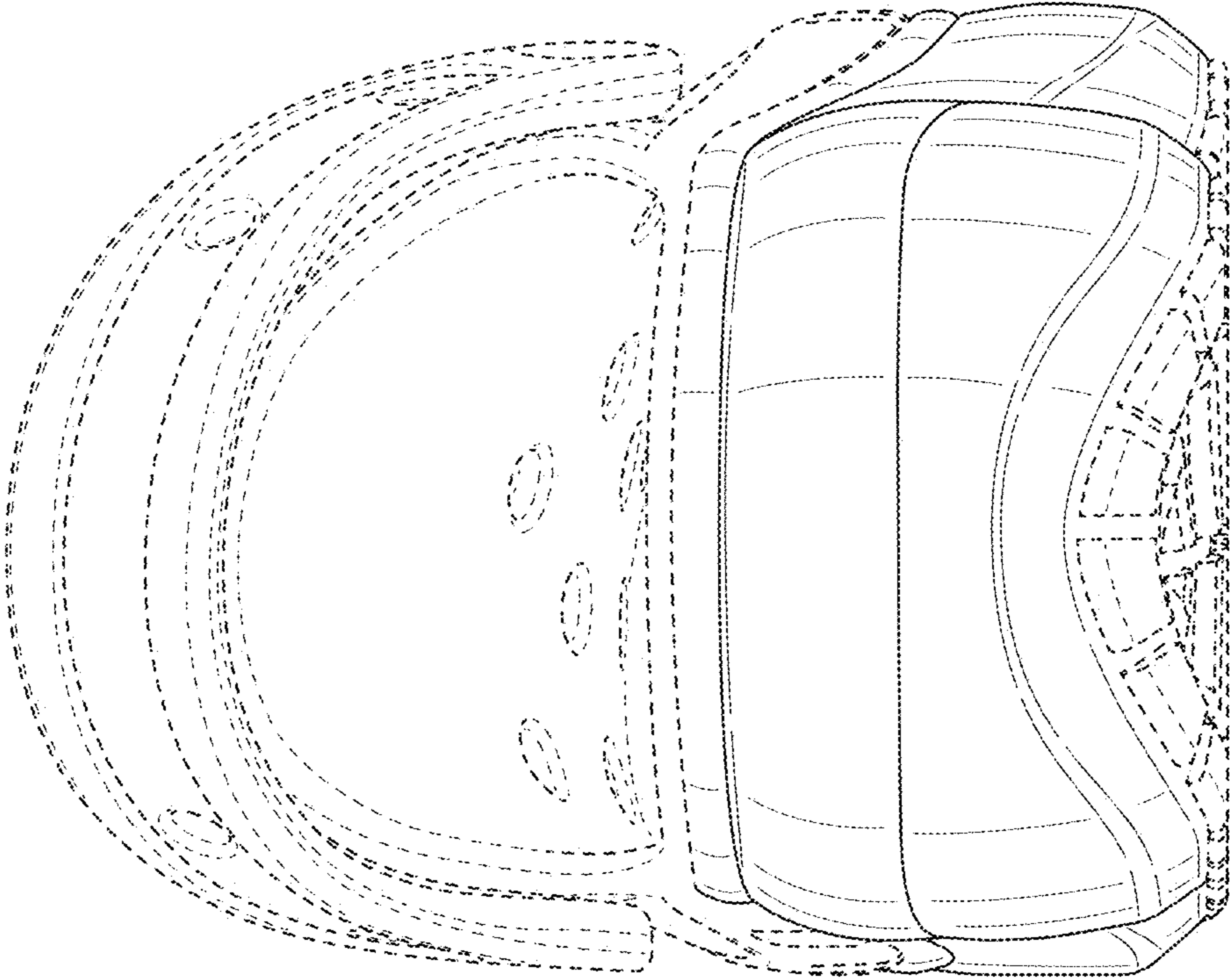


FIG. 3

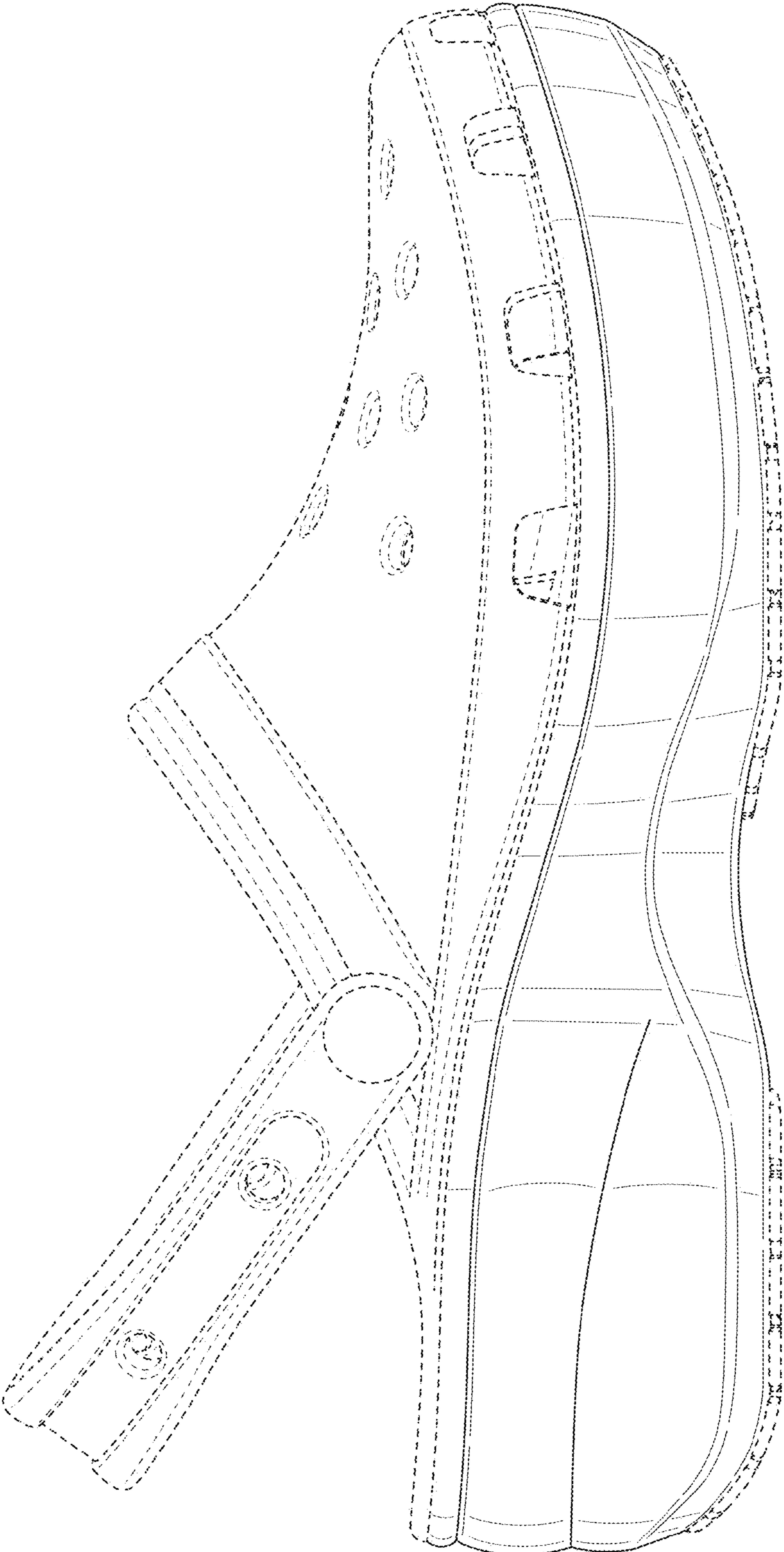


FIG. 4

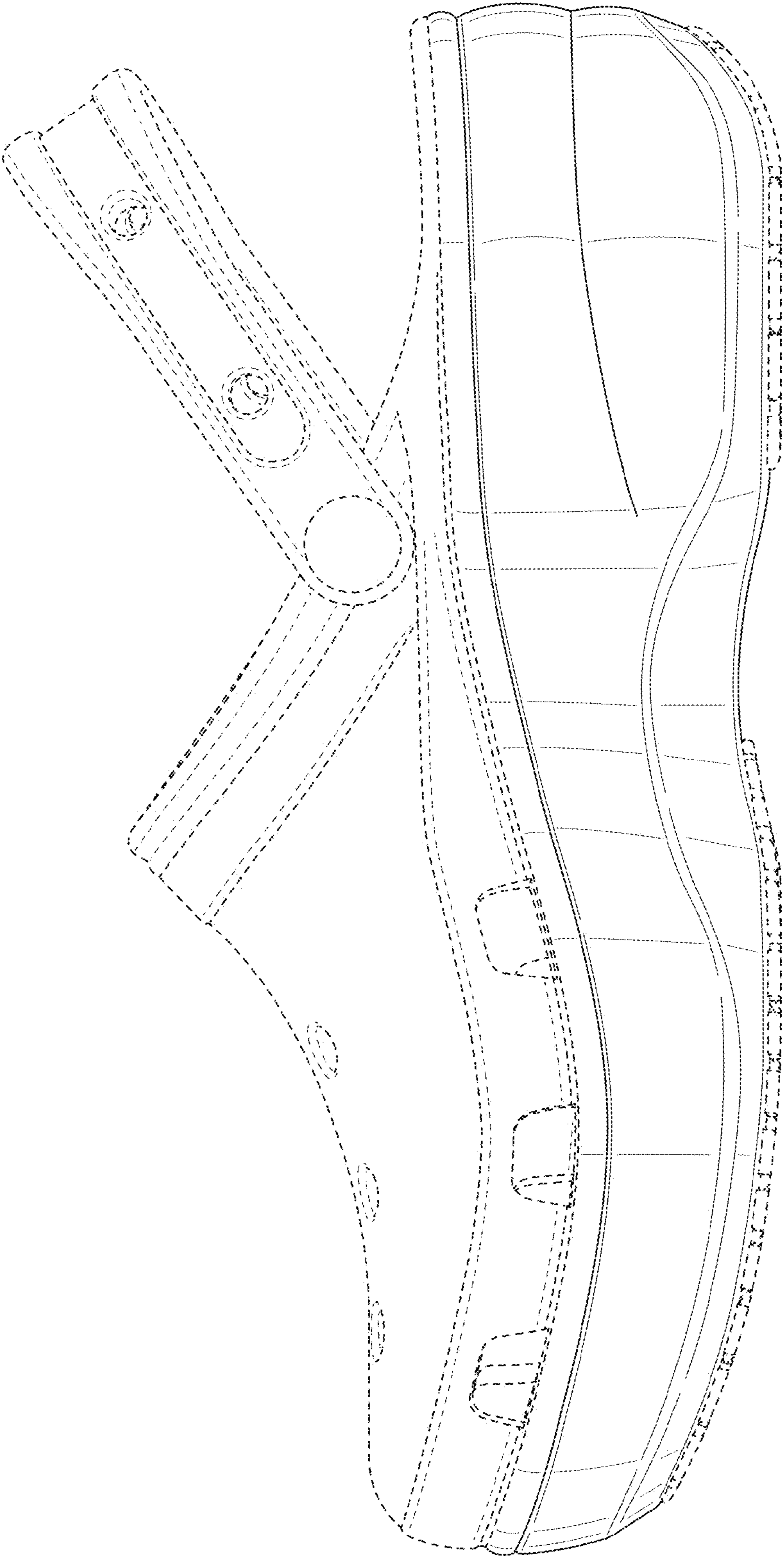


FIG. 5

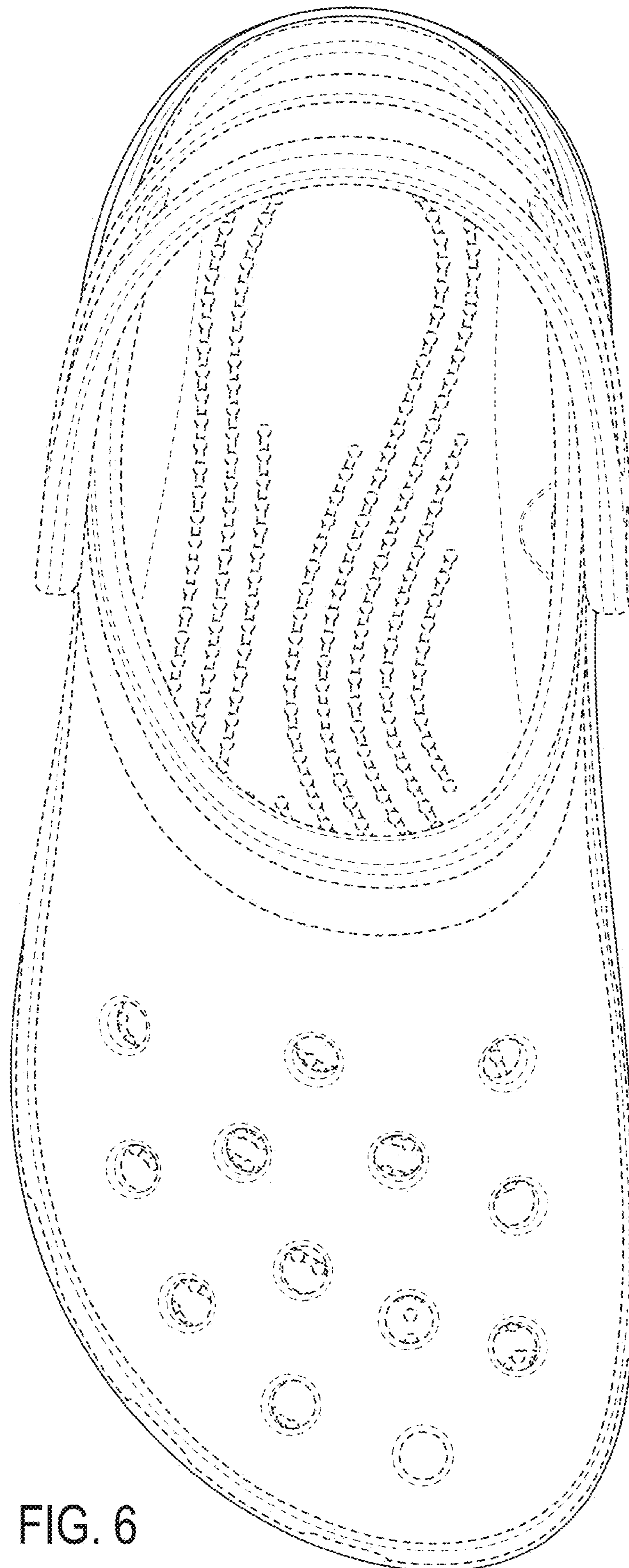


FIG. 6

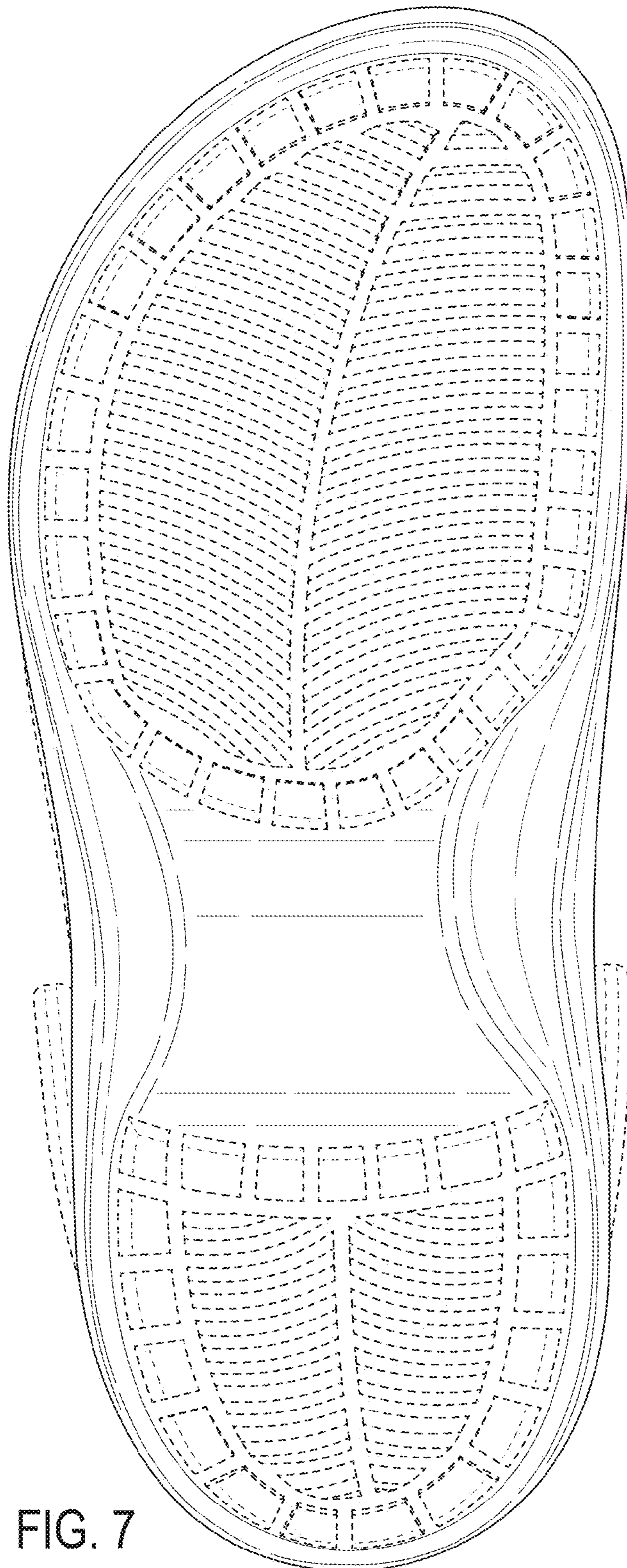


FIG. 7