



US00D987228S

(12) **United States Design Patent** (10) **Patent No.:** **US D987,228 S**  
**Block et al.** (45) **Date of Patent:** **\*\* May 30, 2023**

(54) **HOUSE SHAPED PASTRY**

(71) Applicants: **Chuck Block**, San Diego, CA (US);  
**Dan Blanchard**, San Diego, CA (US)

(72) Inventors: **Chuck Block**, San Diego, CA (US);  
**Dan Blanchard**, San Diego, CA (US)

(\*\*) Term: **15 Years**

(21) Appl. No.: **29/773,772**

(22) Filed: **Mar. 11, 2021**

(51) **LOC (14) Cl.** ..... **01-01**

(52) **U.S. Cl.**

USPC ..... **D1/106; D1/129**

(58) **Field of Classification Search**

USPC ..... D1/100–130, 199; 426/5, 76, 87, 92, 94,  
426/95, 99, 101, 103, 108, 138–139, 143,

(Continued)

(56) **References Cited**

U.S. PATENT DOCUMENTS

1,894,061 A \* 1/1933 Sanders ..... A63H 33/084  
D21/491

2,278,327 A \* 3/1942 Magnus ..... A63H 33/108  
446/124

(Continued)

*Primary Examiner* — Katie Jane Stofko

(74) *Attorney, Agent, or Firm* — Donn K. Harms

(57) **CLAIM**

An ornamental design for a house shaped pastry, as shown and described.

**DESCRIPTION**

FIG. 1 is a left view of a left side component of a house shaped pastry herein;

FIG. 2 is a perspective view of the left side component of FIG. 1;

FIG. 3 is right view of a right side component of the house shaped pastry herein;

FIG. 4 is a perspective view of the right side component of FIG. 3;

FIG. 5 is a front view of a front side component of the house shaped pastry herein the rear view of the rear component being identical to FIG. 5;

FIG. 6 is a perspective view of the front side component of FIG. 5, the perspective view of the rear component being identical to FIG. 6;

FIG. 7 is a view of a right side top component of the house shaped pastry herein;

FIG. 8 is a perspective view of the right side top component of FIG. 7;

FIG. 9 is a view of a secondary right side top component of the house shaped pastry herein;

FIG. 10 is a perspective view of the secondary right side top component of FIG. 9;

FIG. 11 is a view of a left side top component of the house shaped pastry herein;

FIG. 12 is a perspective view of the left side top component of FIG. 11;

FIG. 13 is a right side view of the house shaped pastry of FIG. 17;

FIG. 14 is a left side view of the house shaped pastry of FIG. 18;

FIG. 15 is a front view of the assembled house shaped pastry of FIG. 17;

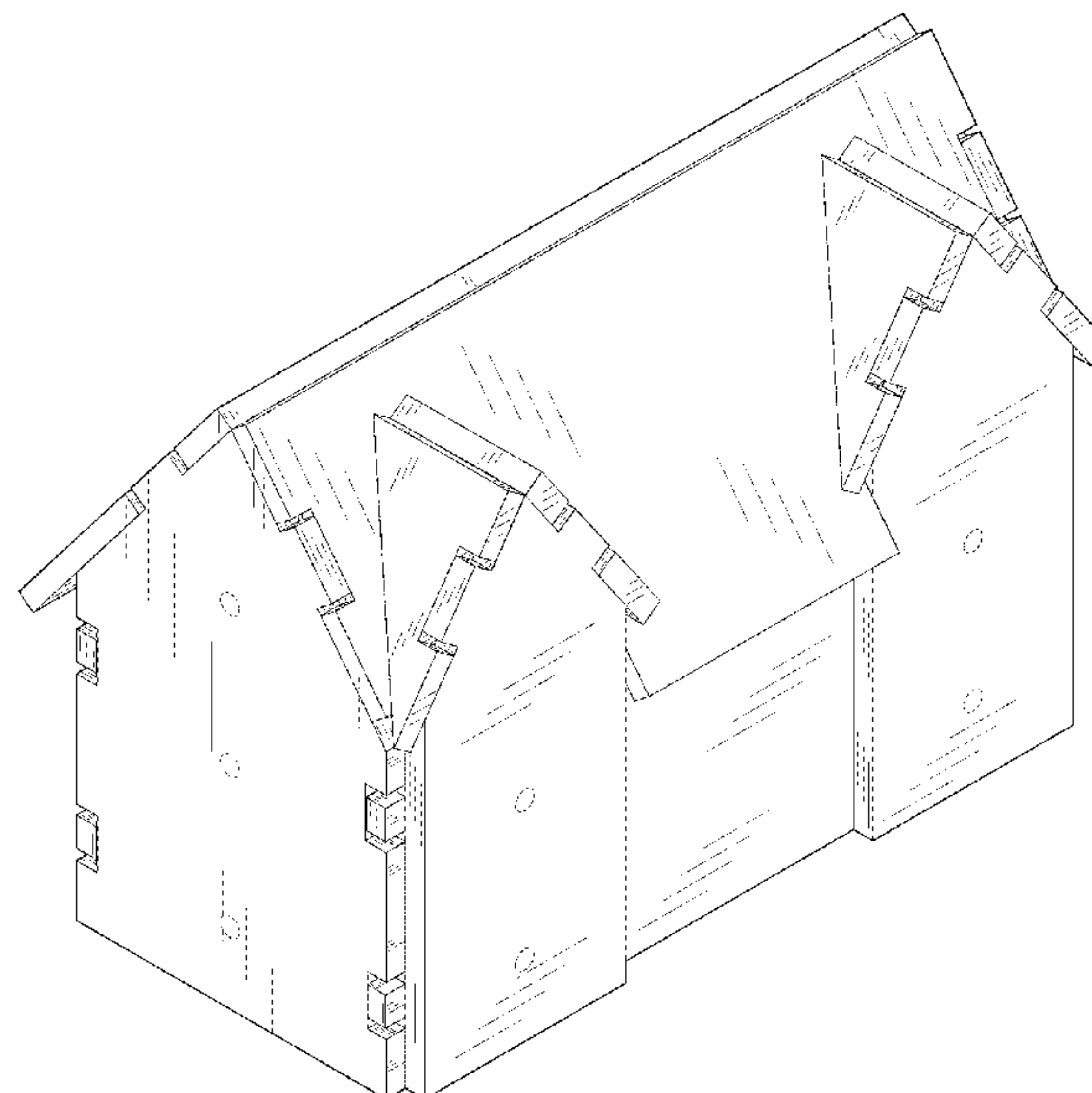
FIG. 16 is a top view of the assembled house shaped pastry of FIG. 17;

FIG. 17 is a front, top and right side perspective view of the assembled house shaped pastry; and,

FIG. 18 is a rear, top and left side perspective view of the assembled house shaped pastry.

The broken lines shown in FIGS. 3-6, 13, 15, 17 and 18 illustrate portions of the house shape pastry that form no part of the claimed design.

**1 Claim, 8 Drawing Sheets**



# US D987,228 S

Page 2

(58) **Field of Classification Search**

USPC ..... 426/144, 279, 282, 283, 391, 514, 549,  
426/660; D21/478-480, 483, 484,  
D21/490-494, 501, 502, 506, 508, 509,  
D21/511; D30/110, 112; D25/33, 59;  
D9/416, 636; 446/108, 114, 124  
CPC .... A63H 33/06; A63H 33/067; A63H 33/084;  
A63H 33/04; A63H 33/088; A63H 33/08;  
A63F 9/12

See application file for complete search history.

(56) **References Cited**

U.S. PATENT DOCUMENTS

D172,786 S \* 8/1954 Eitemiller ..... D21/479  
D224,029 S \* 6/1972 Gale ..... D21/826  
D251,265 S \* 3/1979 Shorten ..... D21/511  
4,431,395 A \* 2/1984 Babos ..... A21C 11/106  
249/161

D285,587 S \* 9/1986 Murdough, Jr. .... D21/491  
D335,904 S \* 5/1993 Krebs ..... D21/511  
5,215,490 A \* 6/1993 Szoradi ..... A63H 33/08  
446/125  
5,273,477 A \* 12/1993 Adams, Jr. .... A63H 33/04  
446/108  
7,210,920 B2 \* 5/2007 Kolz ..... A21C 11/106  
99/426  
D746,001 S \* 12/2015 Helminen ..... D30/112  
D792,675 S \* 7/2017 Block ..... D1/129  
D867,716 S \* 11/2019 Block ..... D1/129  
D915,727 S \* 4/2021 Goldmeier ..... D1/122  
D923,912 S \* 7/2021 Durdin ..... D1/106  
D939,783 S \* 12/2021 Zou ..... D30/108  
2008/0064291 A1 \* 3/2008 Barnes ..... A63H 33/16  
446/122  
2009/0232946 A1 \* 9/2009 Cha ..... A23P 30/00  
426/104

\* cited by examiner

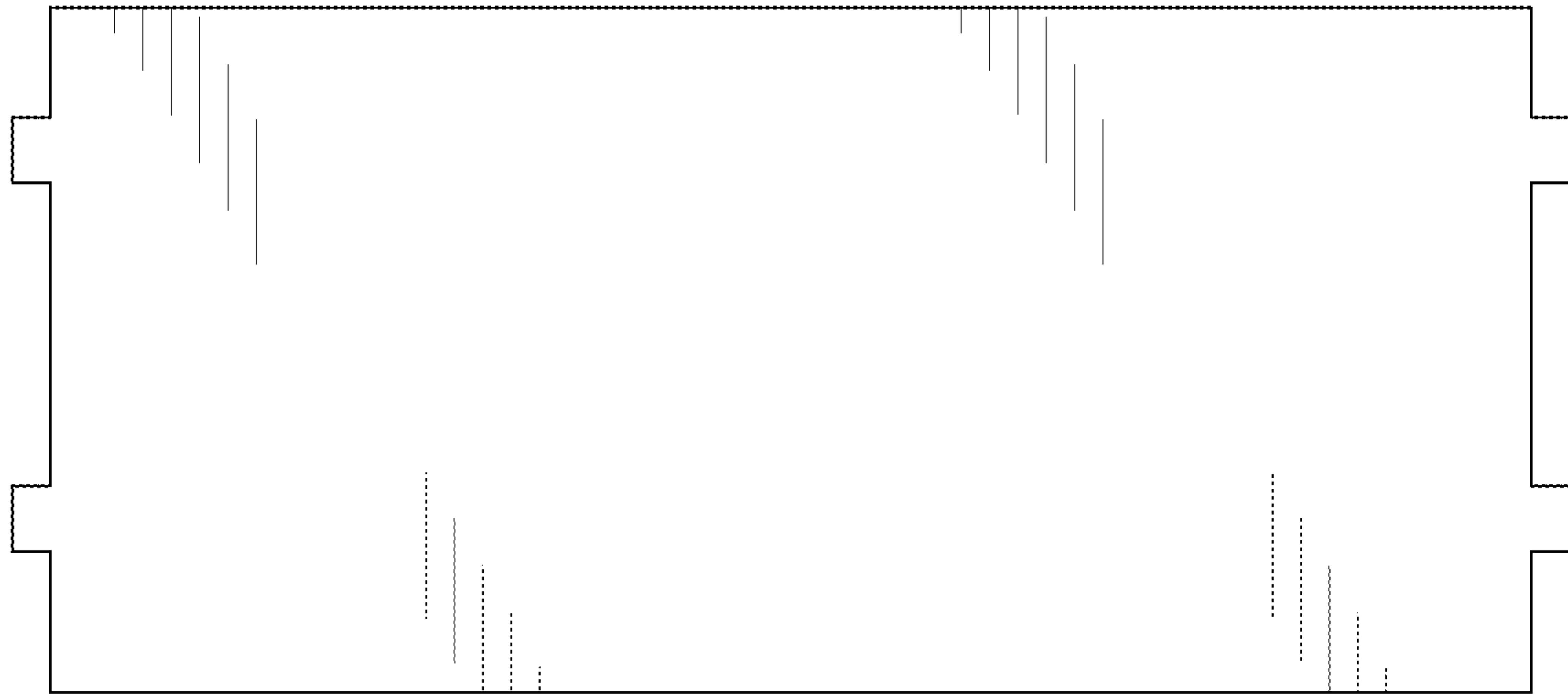


FIG. 1

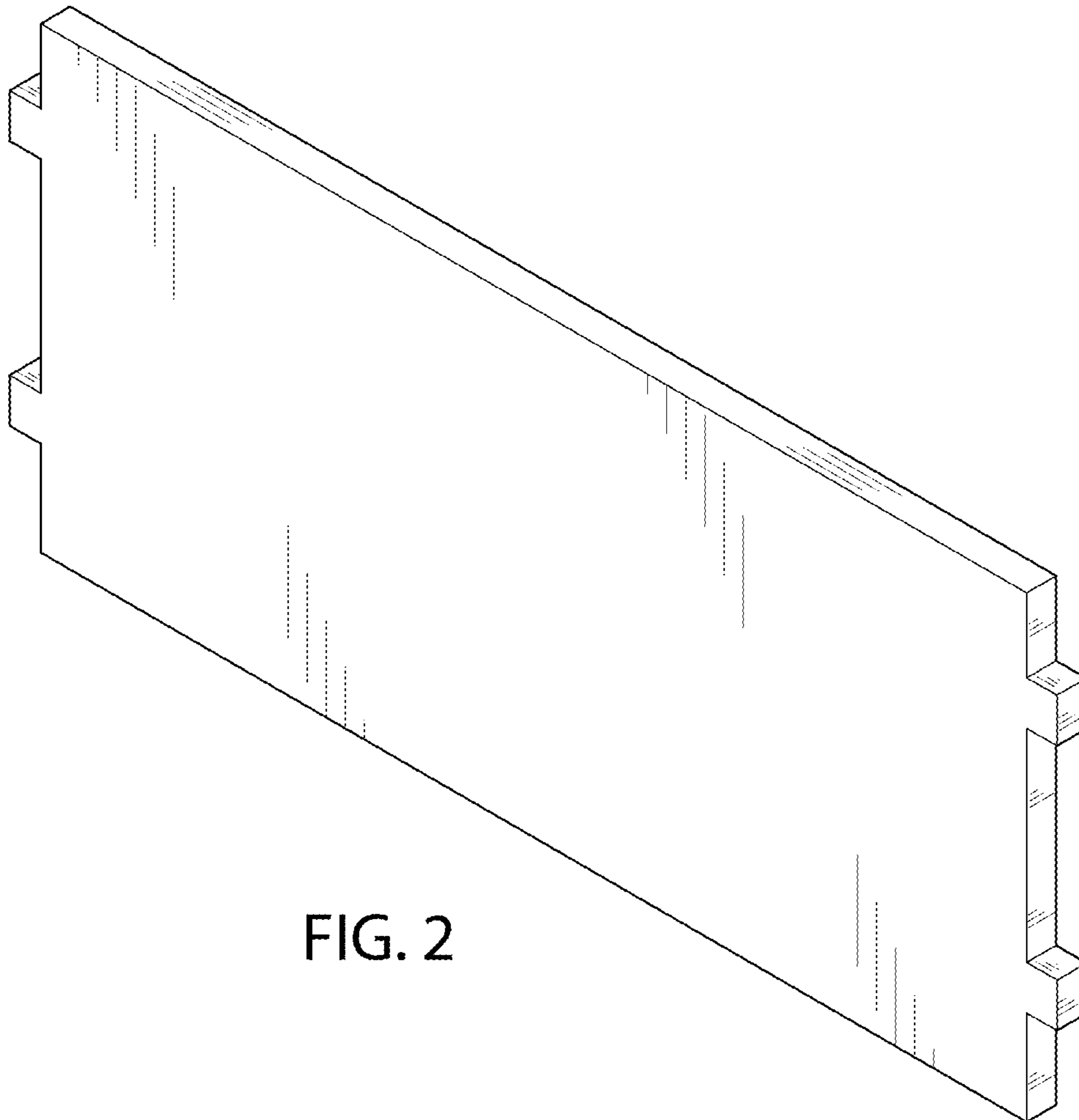


FIG. 2

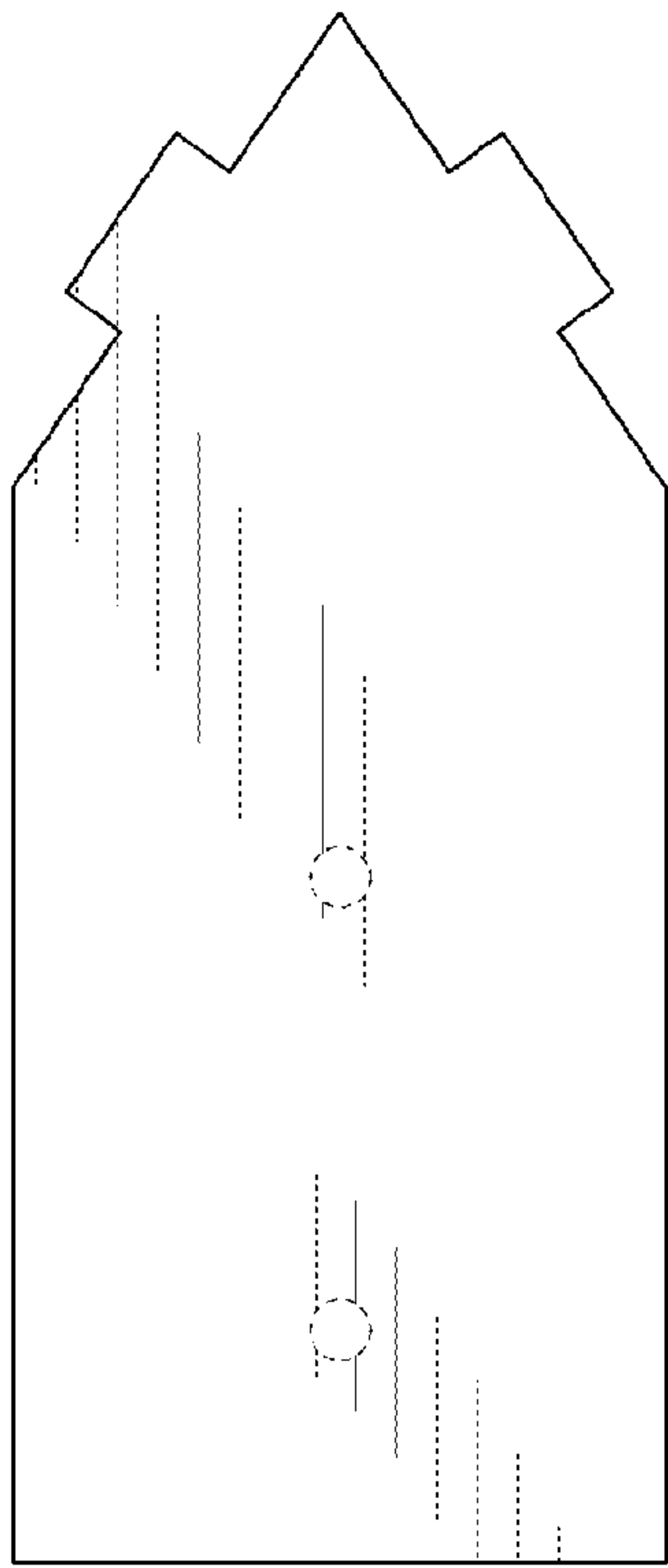


FIG. 3

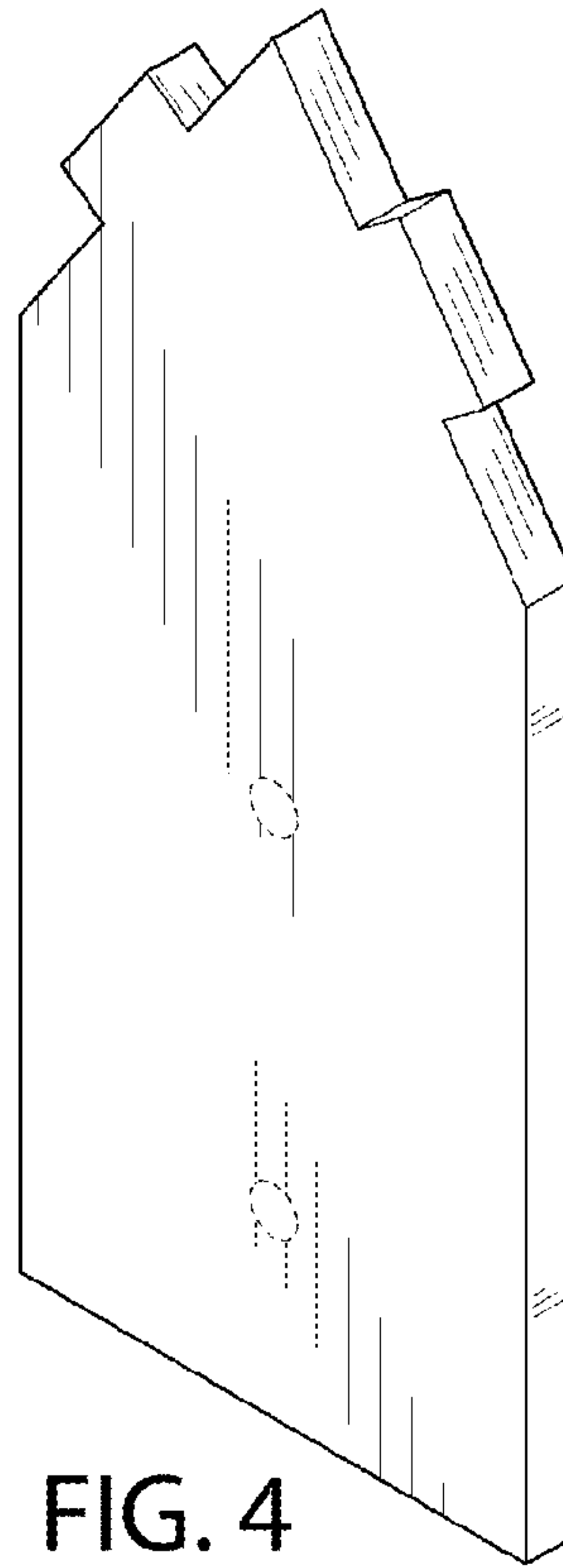


FIG. 4

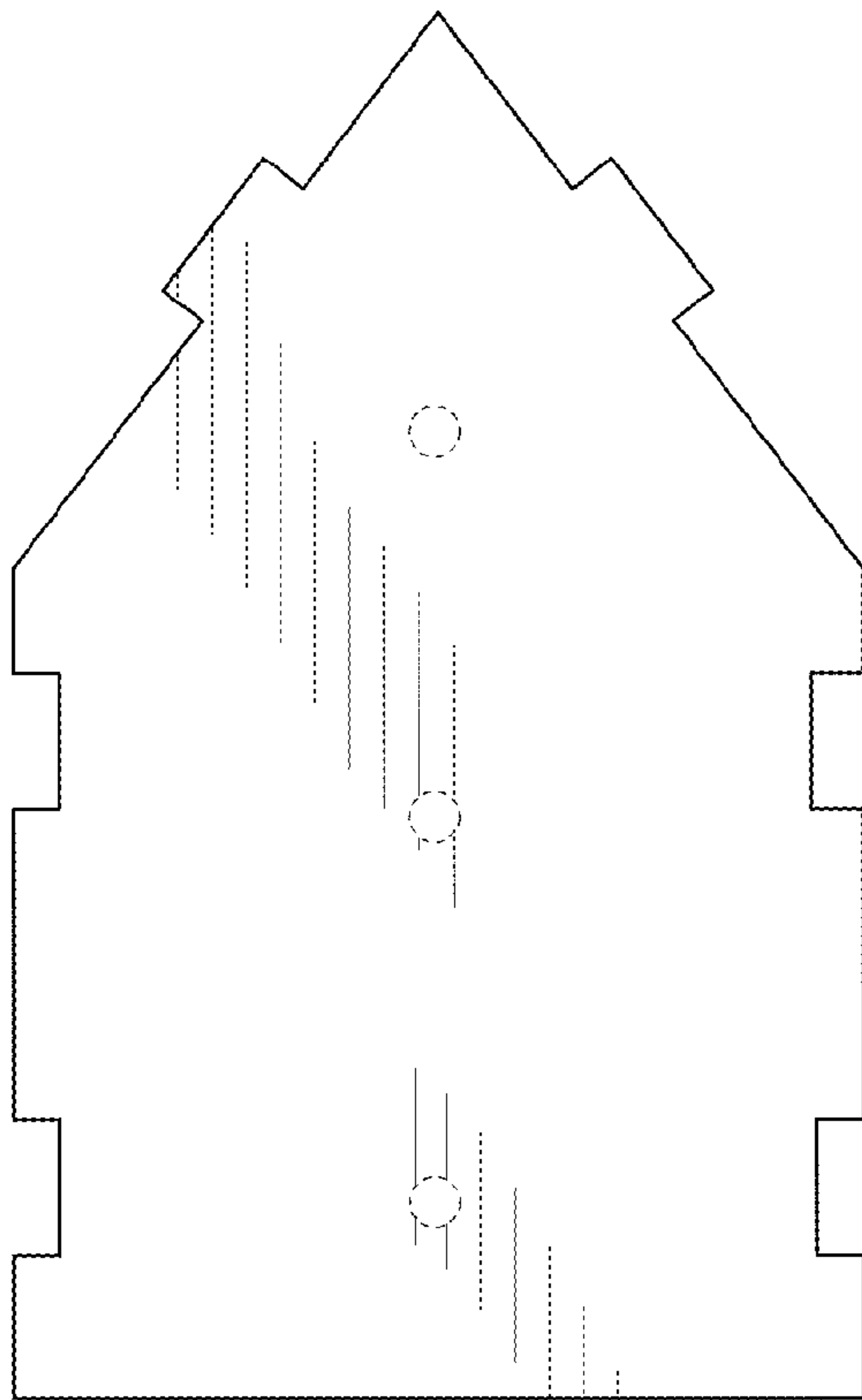


FIG. 5

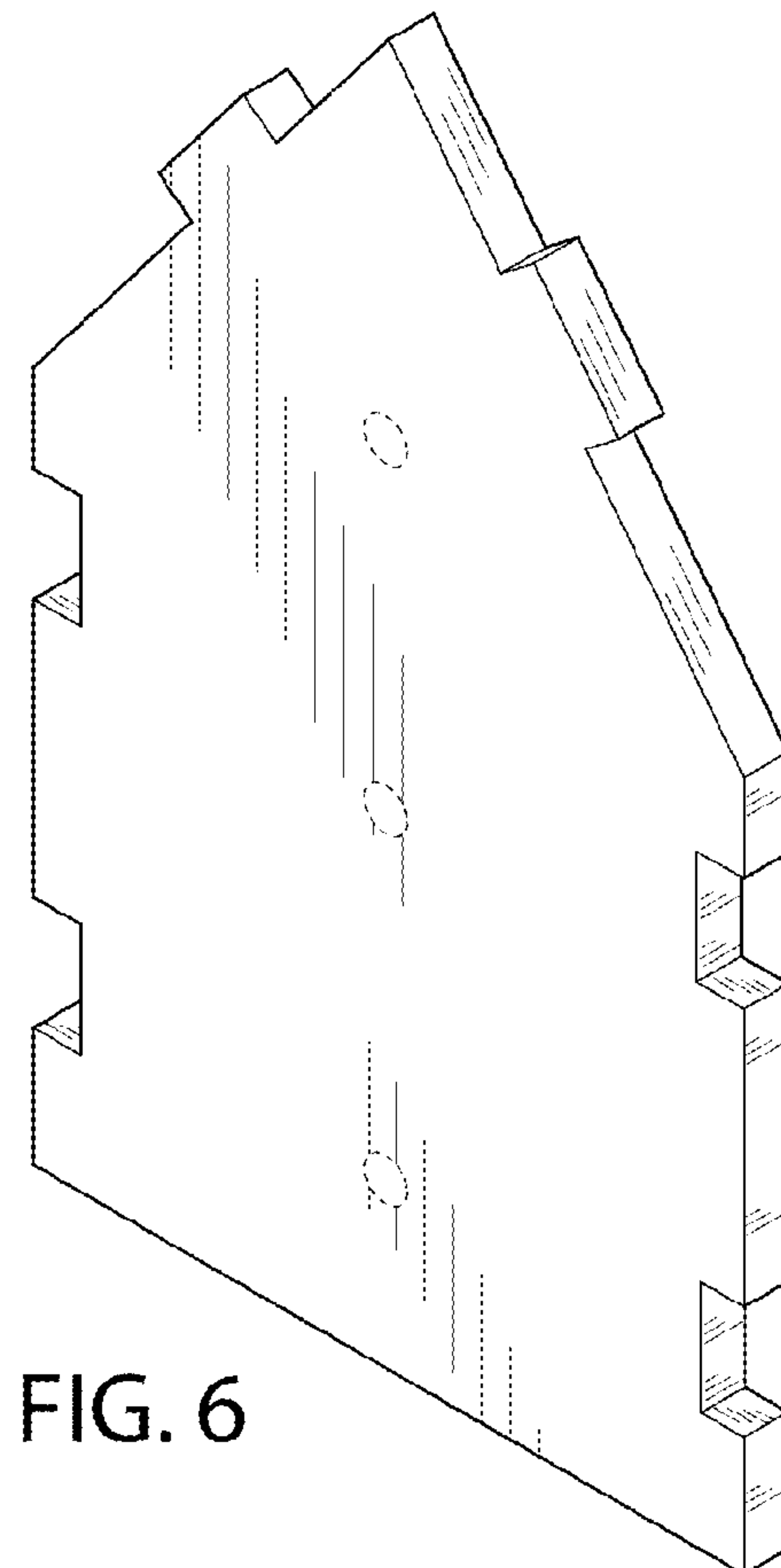


FIG. 6

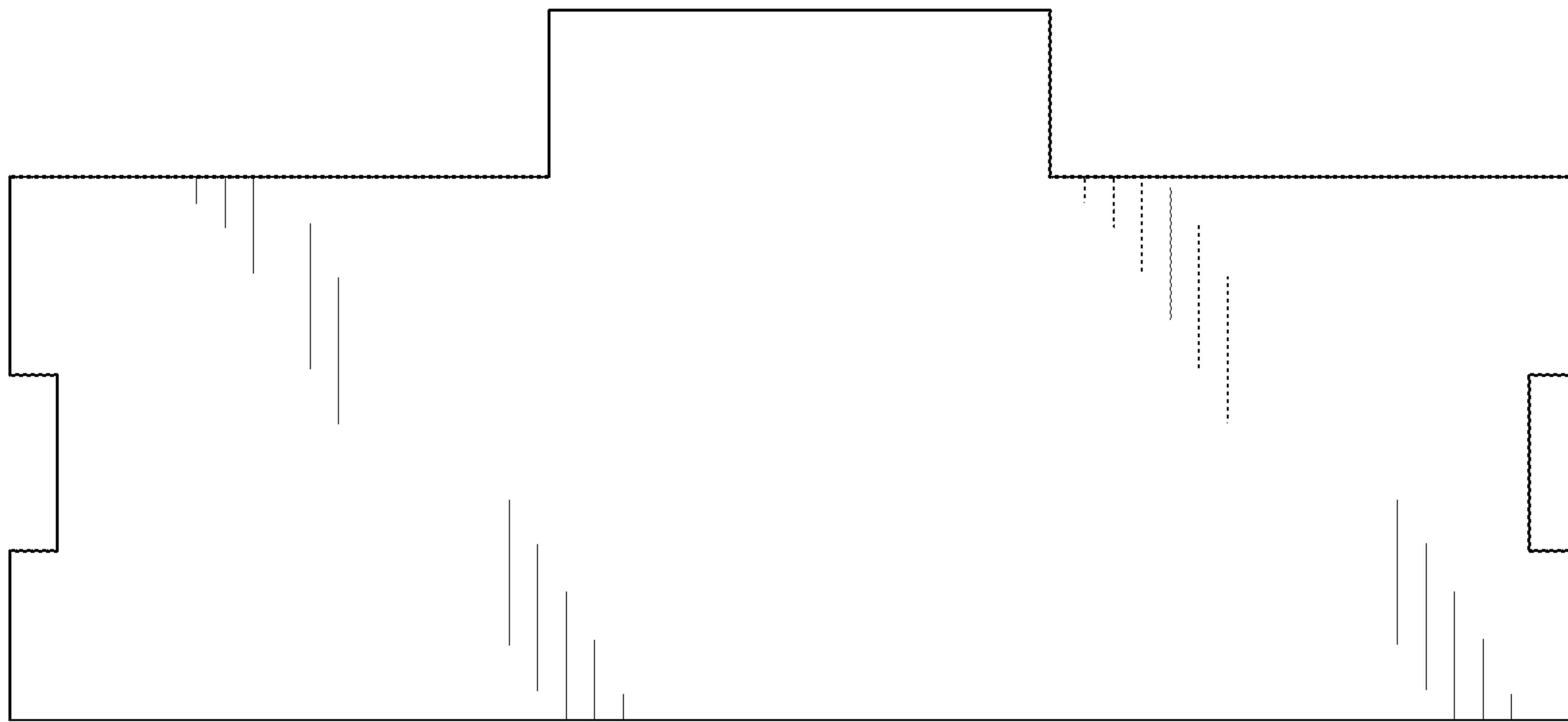


FIG. 7

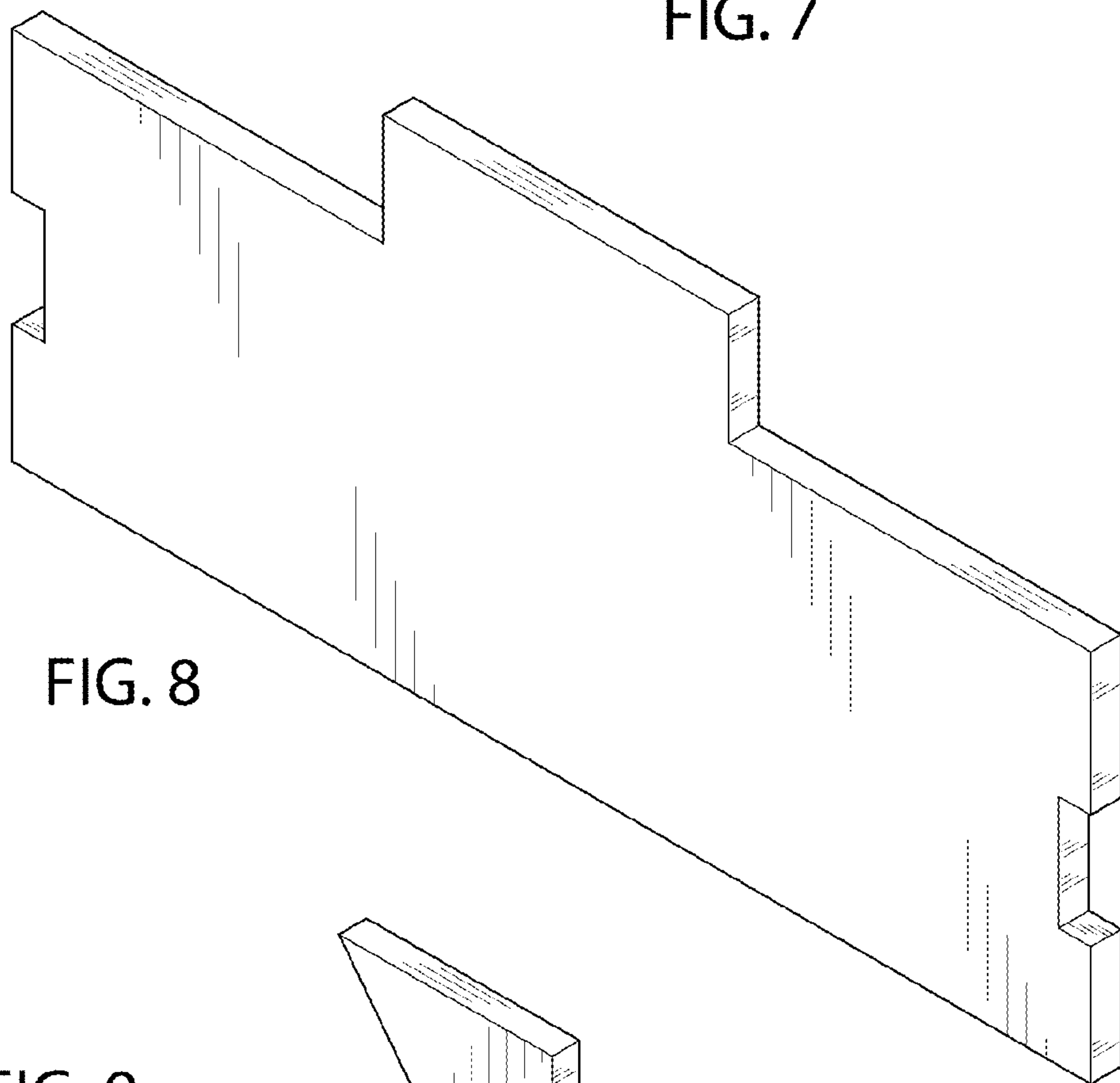


FIG. 8

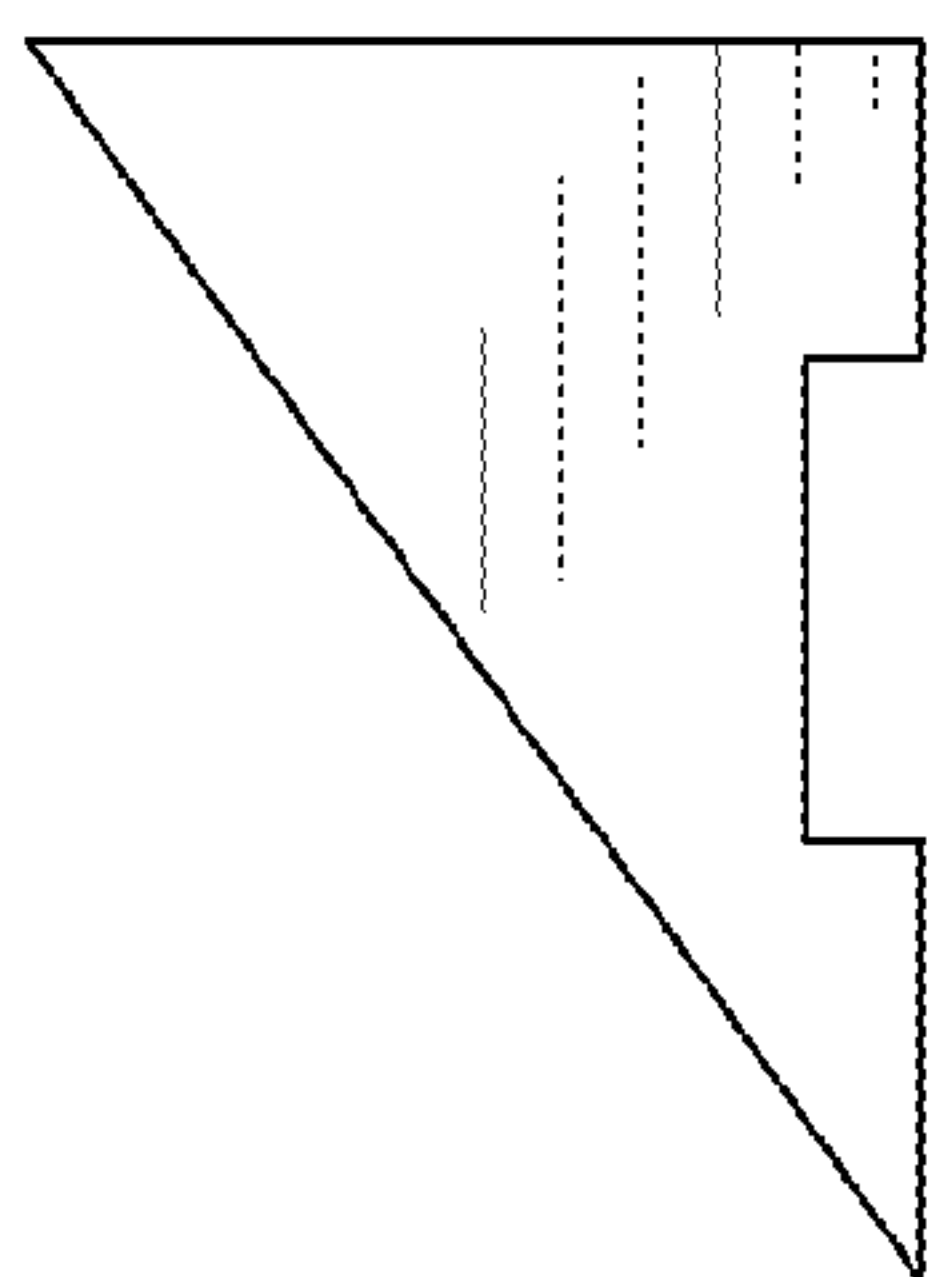


FIG. 9

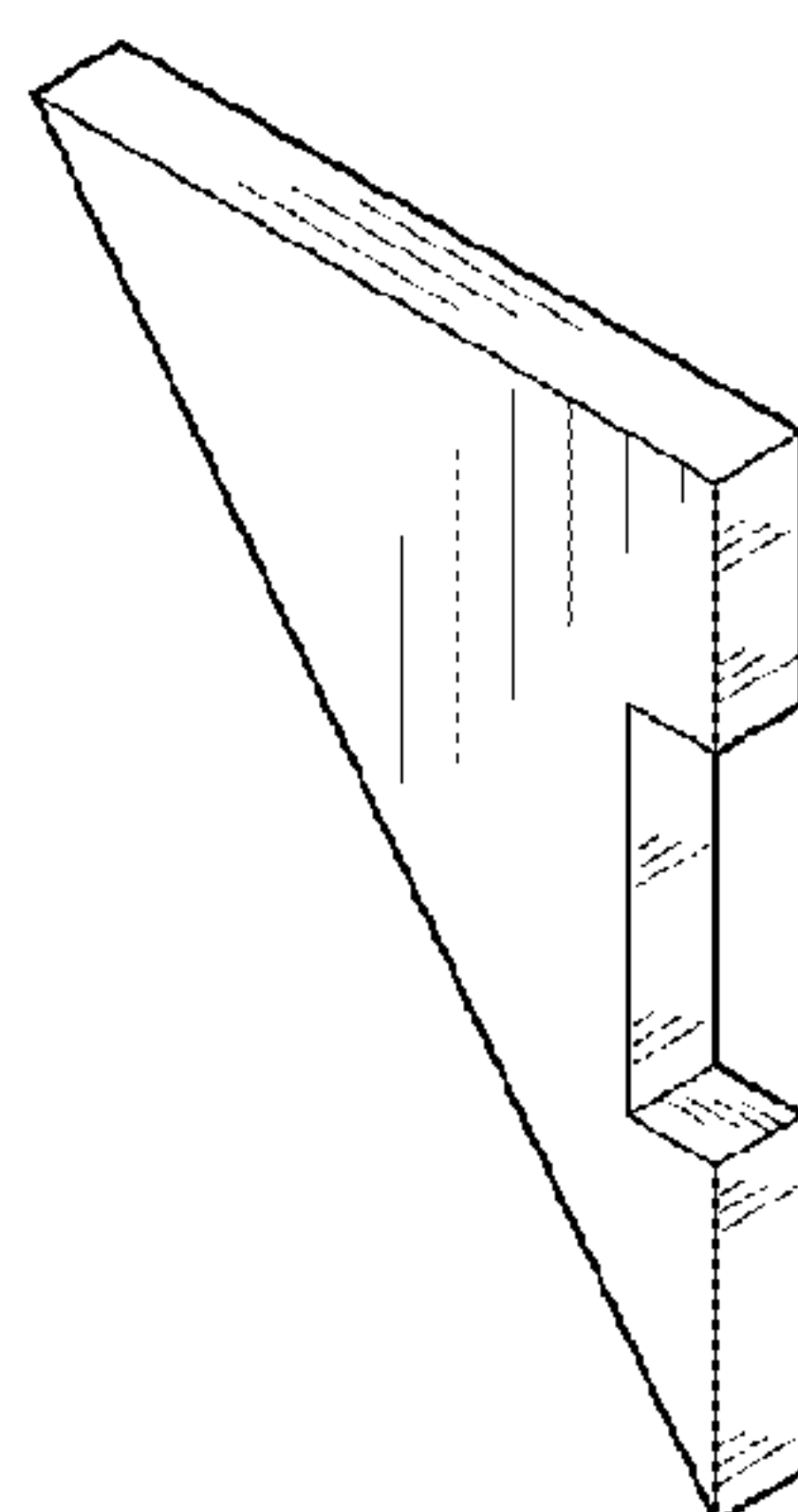


FIG. 10

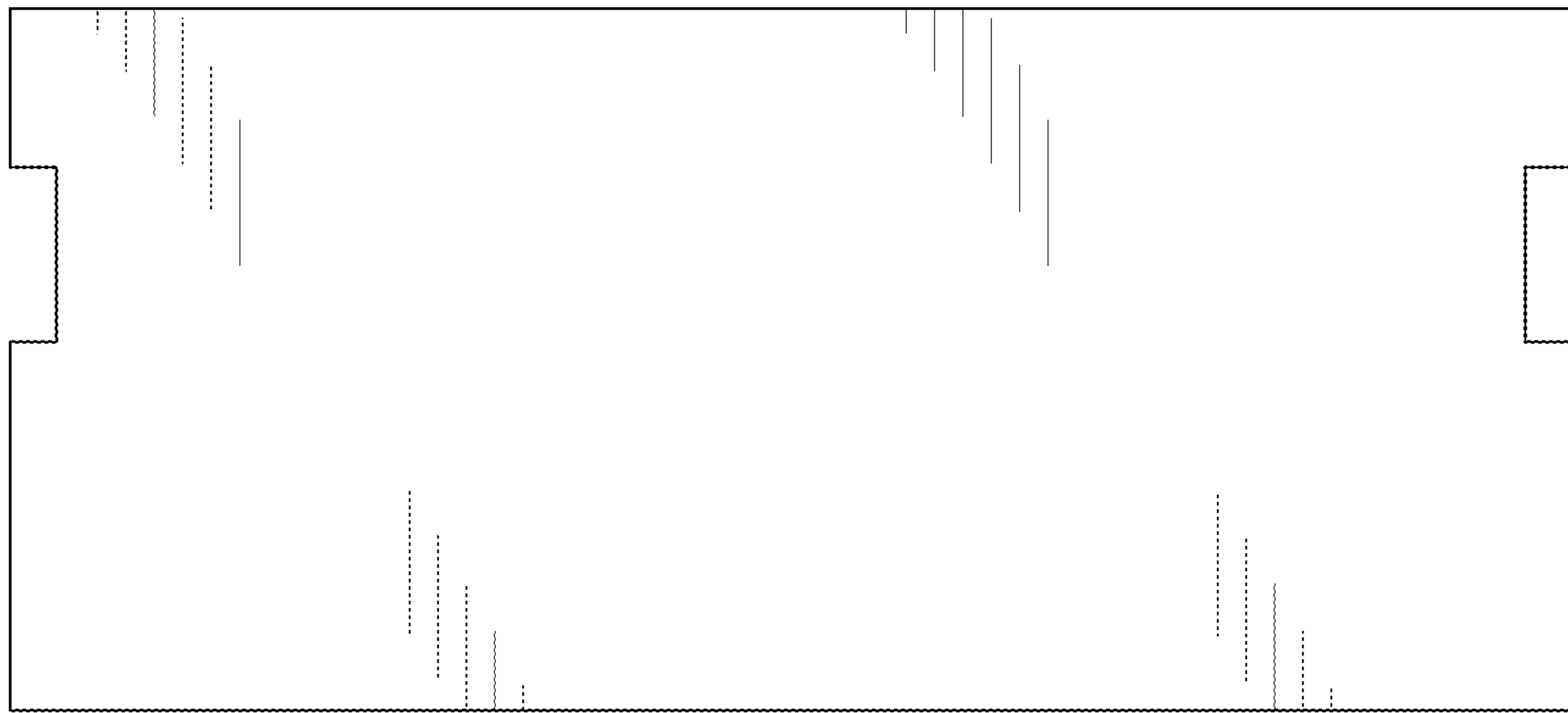


FIG. 11

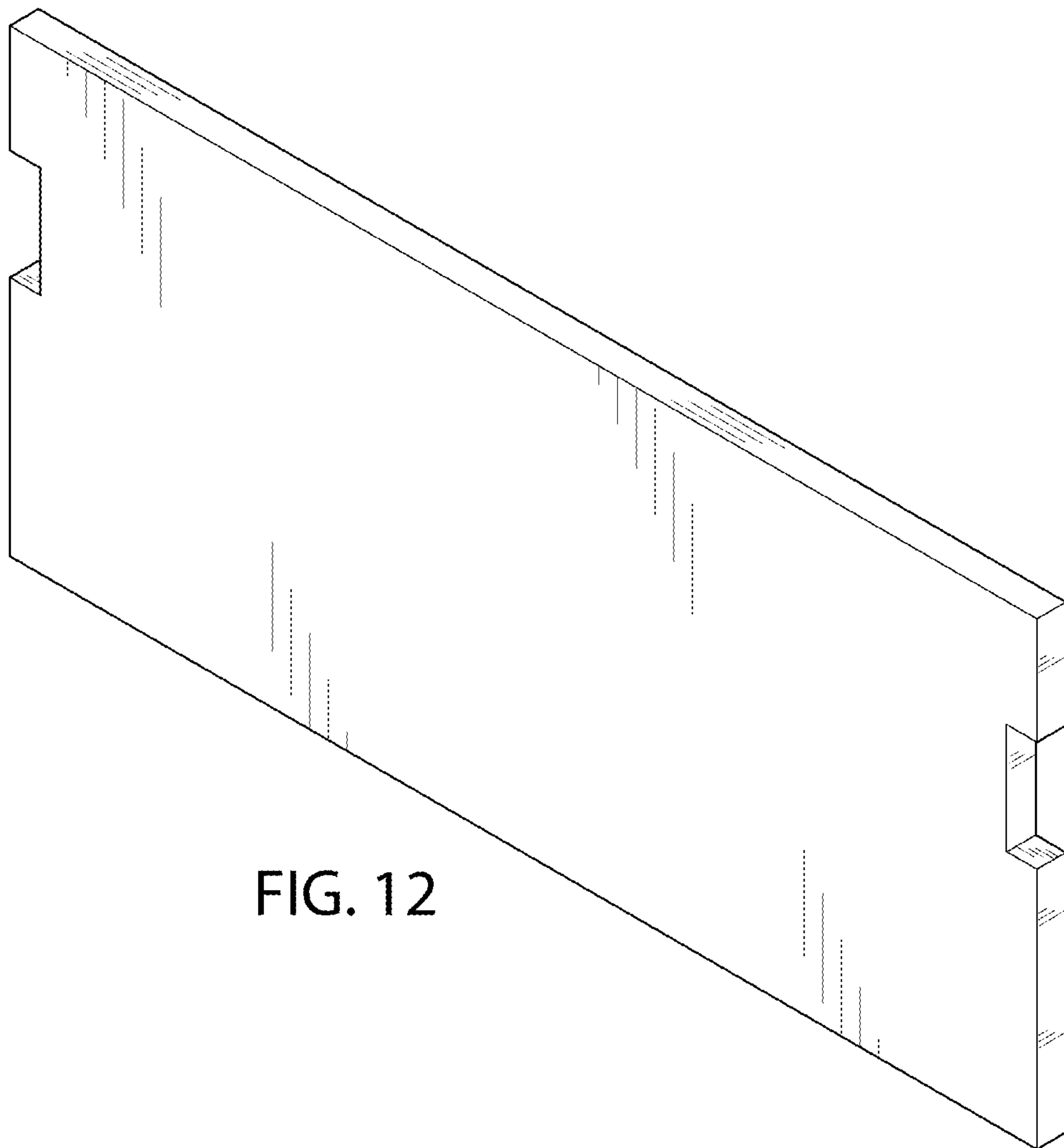


FIG. 12



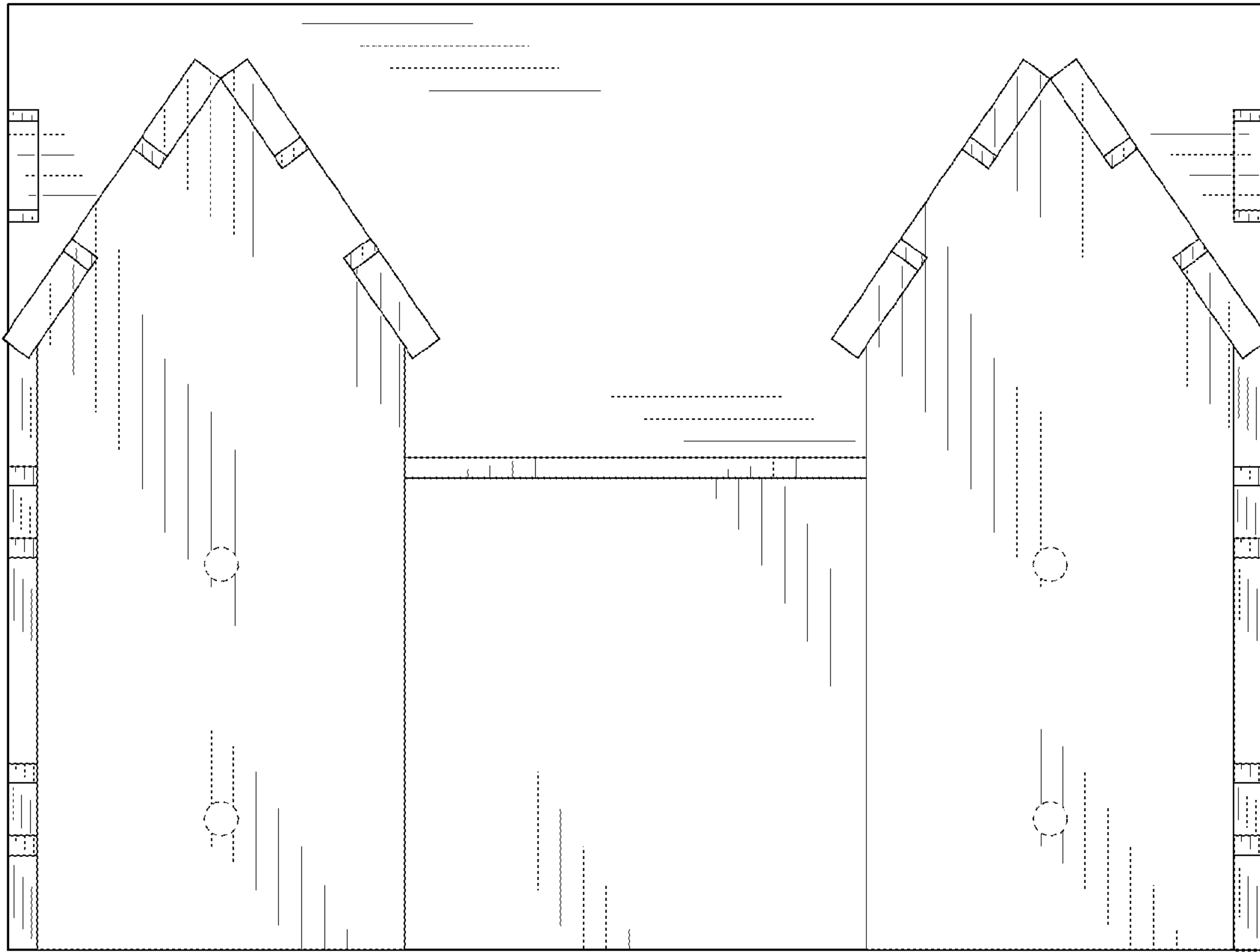


FIG. 13

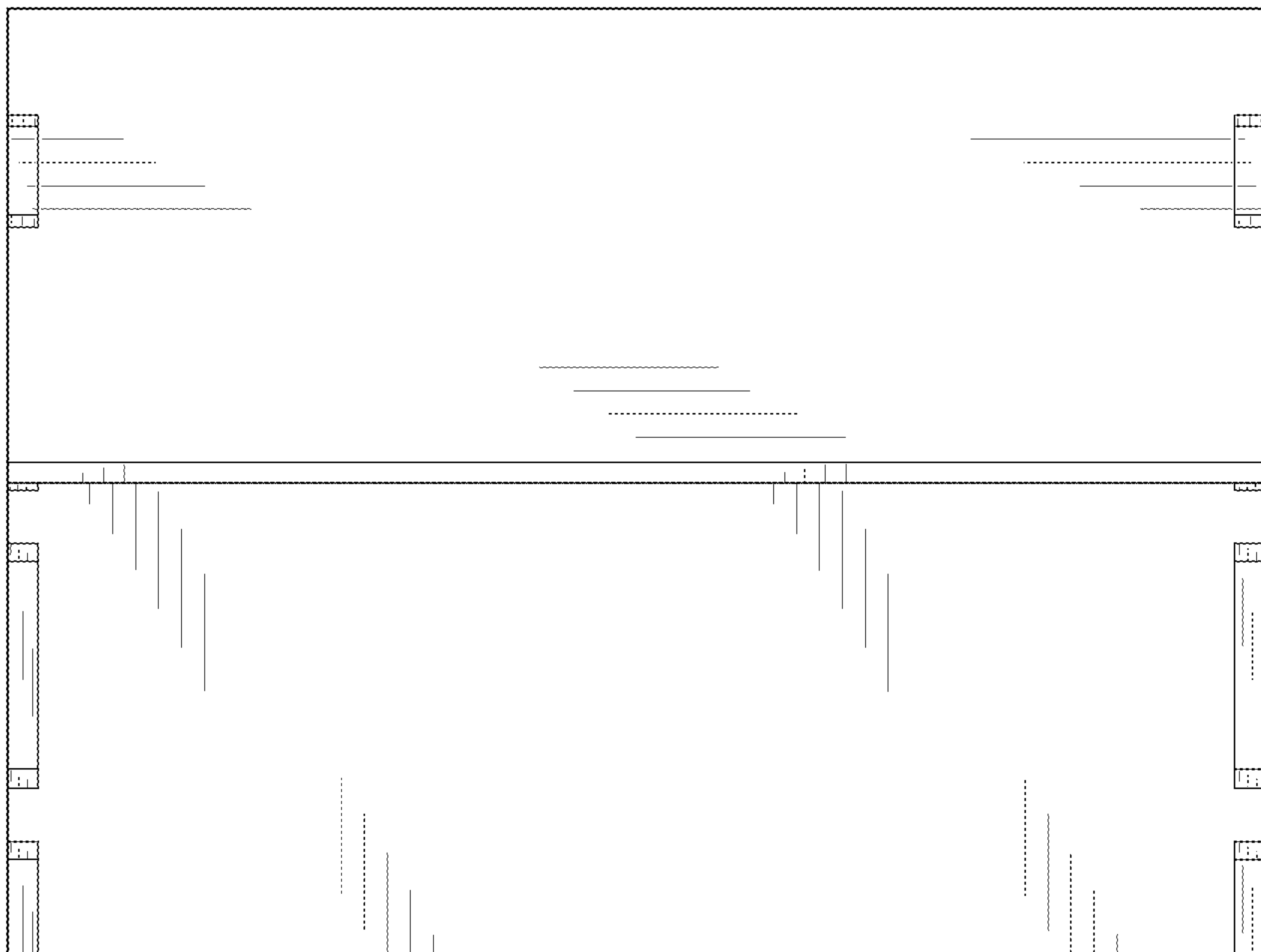


FIG. 14

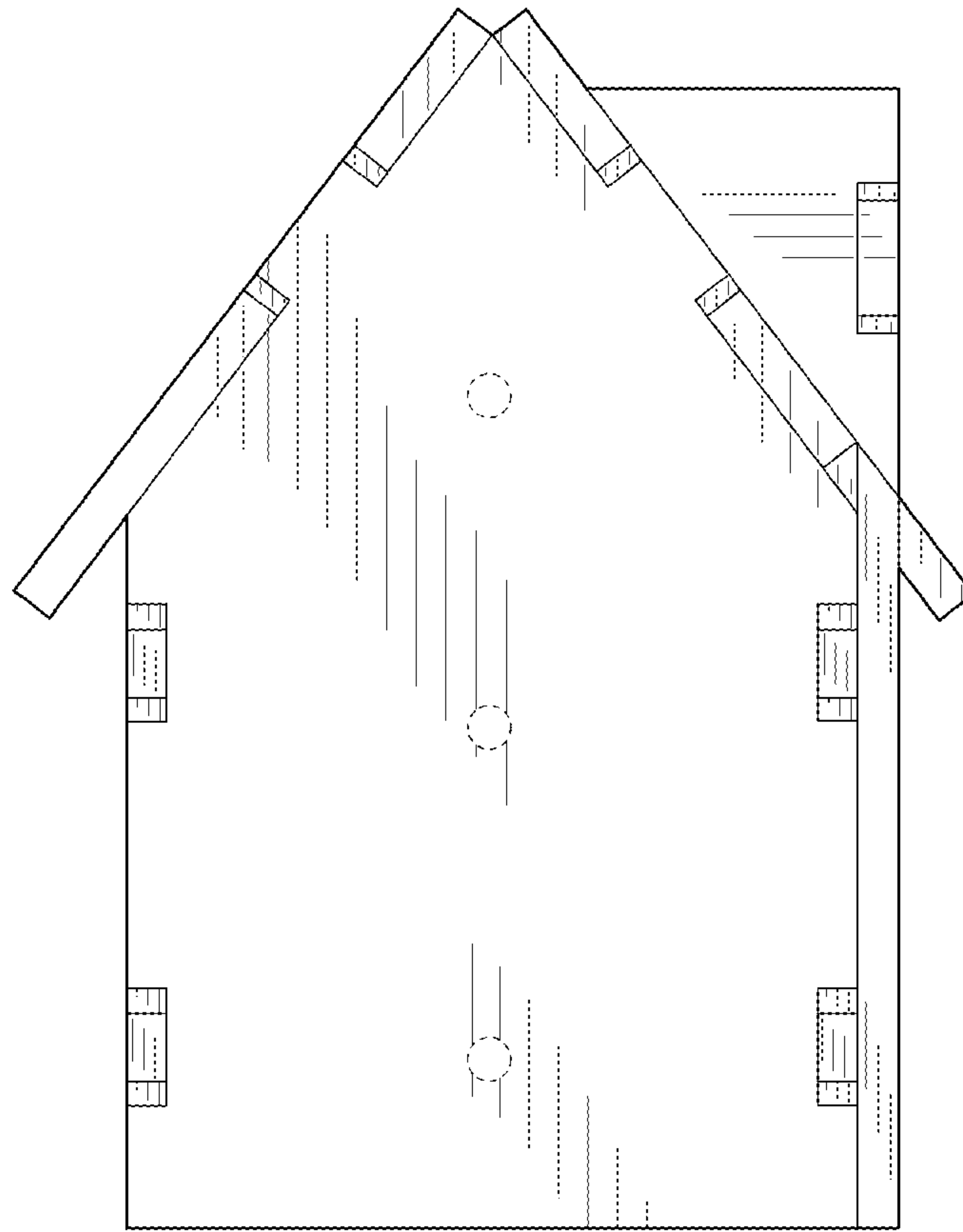


FIG. 15

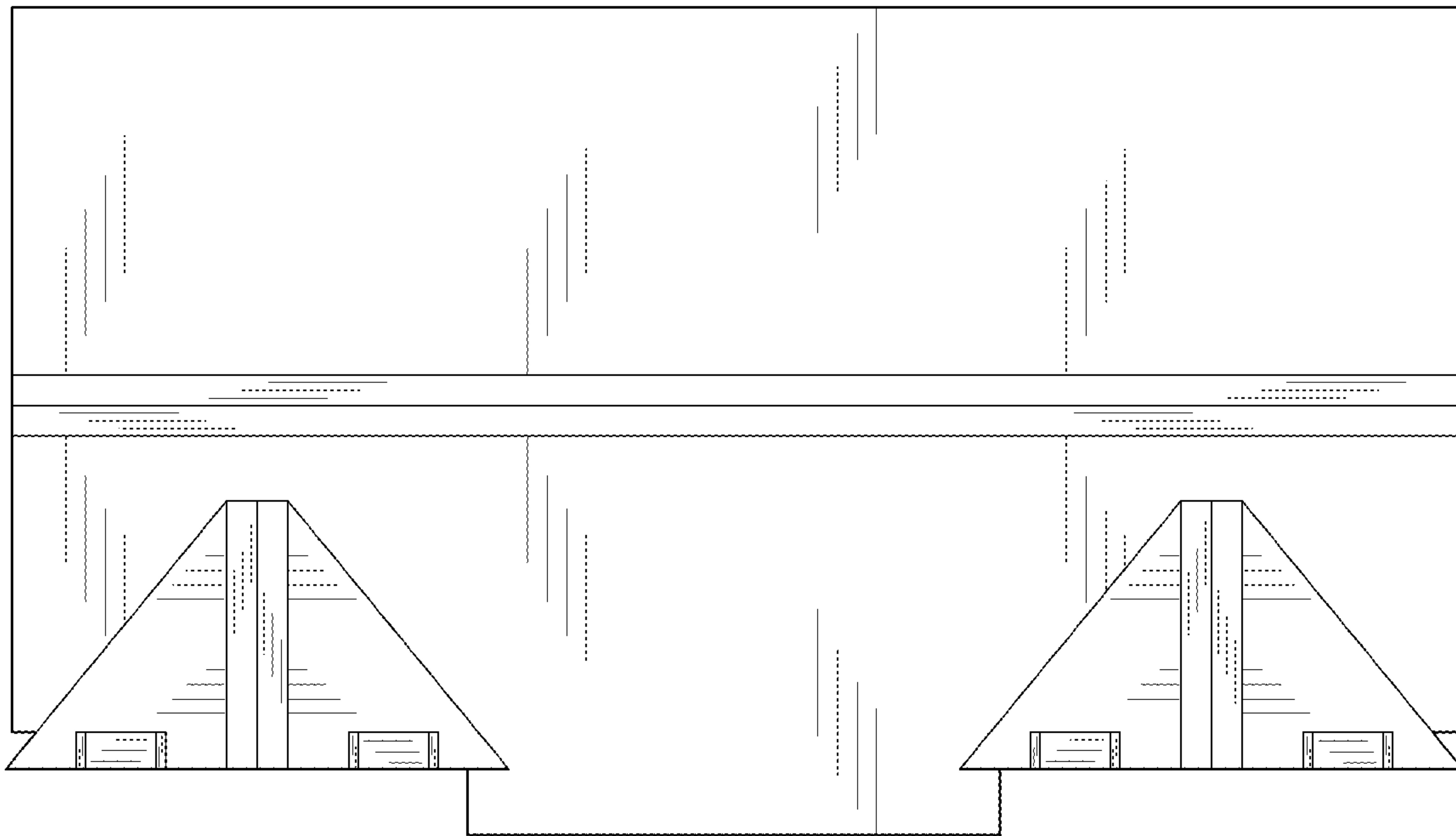


FIG. 16



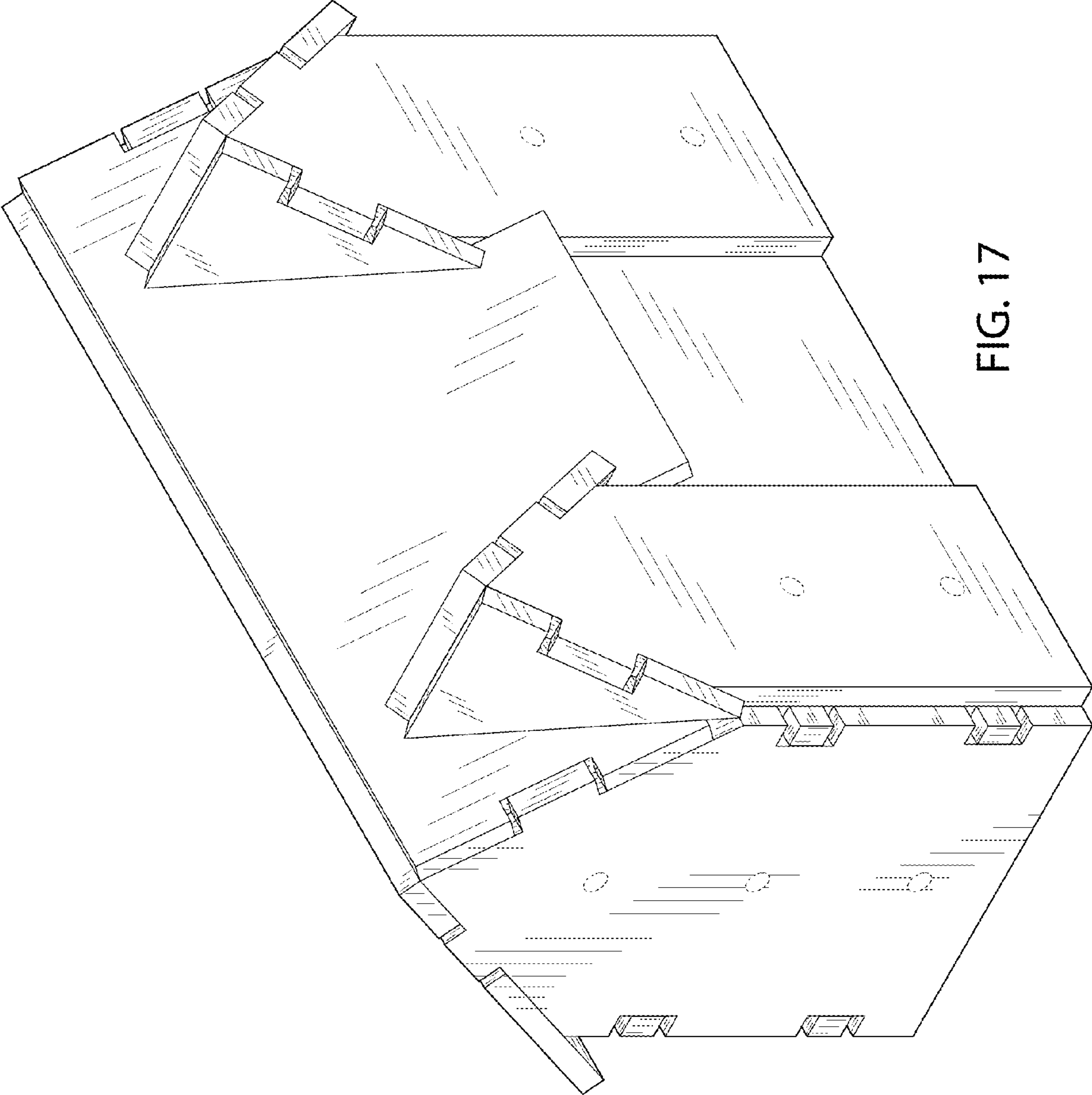


FIG. 17

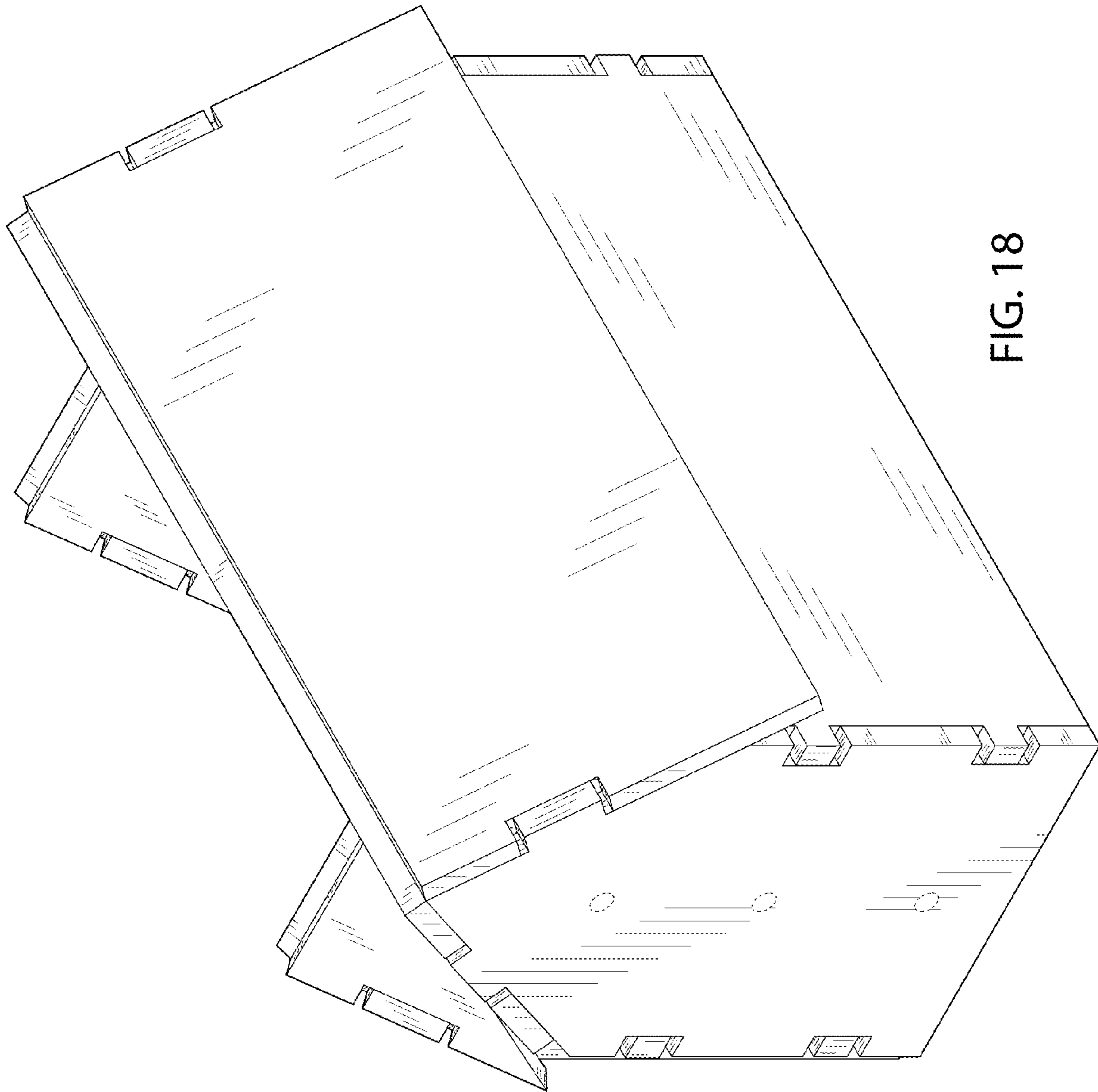


FIG. 18