



US00D987227S

(12) **United States Design Patent**
Zhao

(10) **Patent No.:** **US D987,227 S**
(45) **Date of Patent:** **** May 23, 2023**

- (54) **GUN SAFE**
- (71) Applicant: **Yapeng Zhao**, Henan (CN)
- (72) Inventor: **Yapeng Zhao**, Henan (CN)
- (**) Term: **15 Years**
- (21) Appl. No.: **29/869,342**
- (22) Filed: **Dec. 29, 2022**
- (51) **LOC (14) Cl.** **99-00**
- (52) **U.S. Cl.**
USPC **D99/28**
- (58) **Field of Classification Search**
USPC D99/28, 34, 35, 36, 43, 99; D3/900, 901,
D3/902, 903, 905, 201, 273, 274, 294,
D3/295, 296, 297; D18/3.1, 3.3, 12.1;
D6/663, 664, 667, 683, 683.1
CPC A45C 1/12; A45C 2001/125; A45C
2001/102; A45C 2001/104; A45C
2001/006; A45C 2001/003; A45C
2001/105; A45C 2001/107; E05G 1/00;
E05G 1/005; E05G 1/024; E05G 1/026;
E05G 5/00; E05G 7/00; E05G 7/001;
E05G 2700/00; E05G 2700/02; B63C
7/30; G07D 9/00; G07D 9/002; G07D
9/004; G07D 9/006; G07D 9/008; G07D
9/02; G07D 9/04; G07D 9/06; G07D
9/065; G07D 11/00; G07D 11/0021;
G07D 13/00; G07D 2201/00; G07D
2211/00; G07F 9/06; G07F 9/08
See application file for complete search history.

- (56) **References Cited**
U.S. PATENT DOCUMENTS
3,156,351 A * 11/1964 Small B65D 5/5021
206/317
D268,063 S * 2/1983 Chase D99/28
D368,249 S * 3/1996 Ferrer D12/423
D426,059 S * 6/2000 Siler D99/28

- 6,405,861 B1 * 6/2002 Siler F41C 33/06
206/1.5
- D570,074 S * 5/2008 Osiecki D99/28
- D570,132 S * 6/2008 Evans D6/663
- 7,434,427 B1 * 10/2008 Miresmaili F41C 33/06
42/70.11
- D617,525 S 6/2010 Taylor et al.
- D617,974 S * 6/2010 Alfeld, Sr. D99/28
- D634,915 S * 3/2011 Nave D99/28
- D651,785 S * 1/2012 Martin D99/28
- 8,104,313 B2 * 1/2012 Wolfe A47B 81/00
42/70.11

(Continued)

OTHER PUBLICATIONS

Mighty hand, GS1 Mounted Handgun Safe with Keypad, Drop Down Drawer, Code Access & Backup Keys, Fast-Action Auto-Open Pistol Safe, Code Disguise, Rugged Design and Easy Installation, <http://mightyhandtools.com/product/gsl-mounted-handgun-safe-keypad/,2023>. (Year: 2023).*

(Continued)

Primary Examiner — Elizabeth J Oswecki

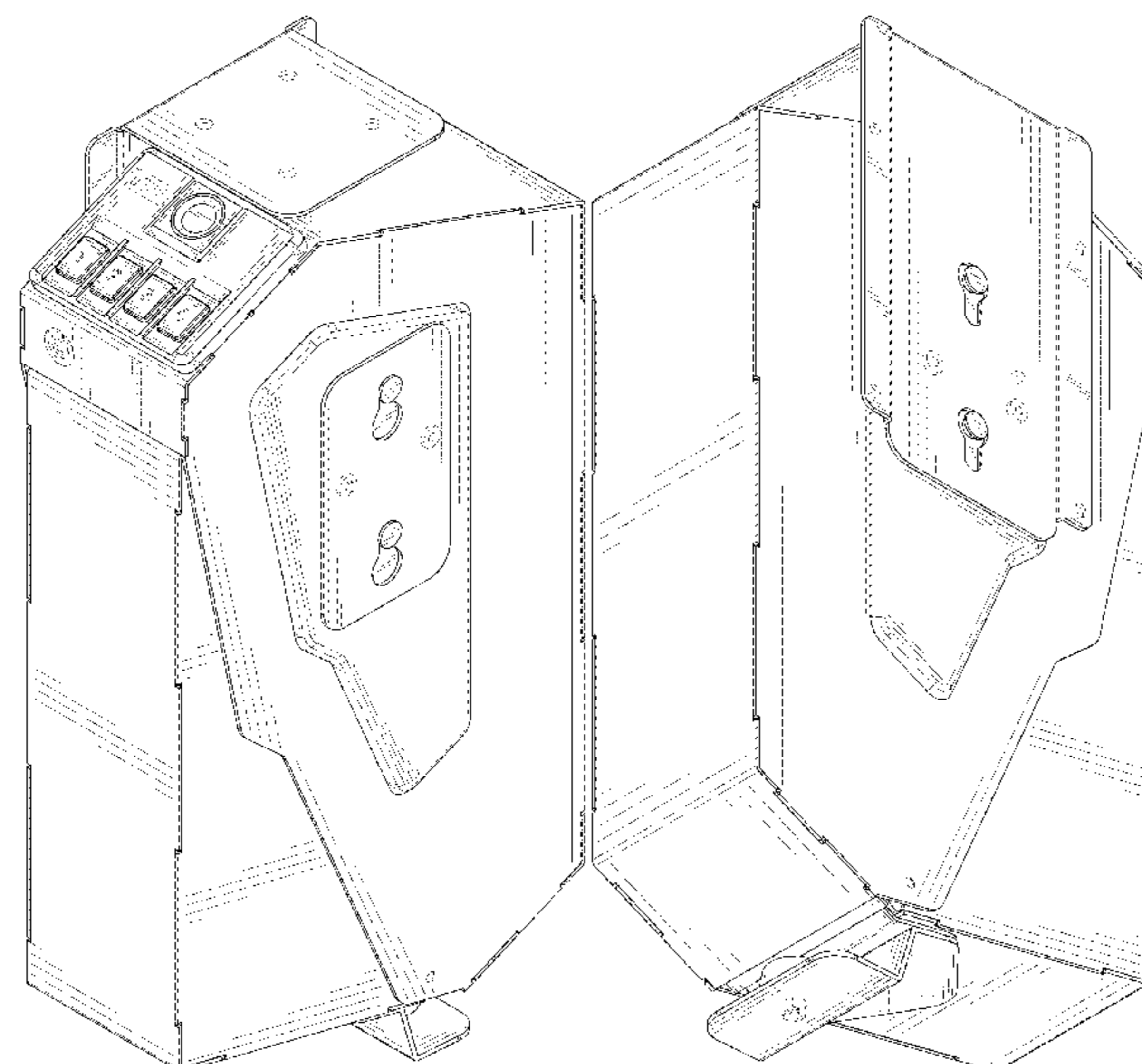
(57) **CLAIM**

The ornamental design for a gun safe, as shown and described.

DESCRIPTION

FIG. 1 is a front and top perspective view of a gun safe, showing my new design;
FIG. 2 is a rear and bottom perspective view thereof;
FIG. 3 is a front elevation view thereof;
FIG. 4 is a rear elevation view thereof;
FIG. 5 is a left side elevation view thereof;
FIG. 6 is a right side elevation view thereof;
FIG. 7 is a top plan view thereof; and,
FIG. 8 is a bottom plan view thereof.
The broken lines in the figures illustrate portions of the gun safe that form no part of the claimed design.

1 Claim, 8 Drawing Sheets



(56)

References Cited

U.S. PATENT DOCUMENTS

D709,665 S * 7/2014 Martin D99/28
9,247,811 B2 * 2/2016 Spencer A47B 96/16
D814,739 S * 4/2018 Coutinho D99/28
D843,678 S * 3/2019 Hill D99/28
D843,679 S * 3/2019 Hill D99/28
D881,504 S * 4/2020 Baker D99/28
D942,735 S * 2/2022 Chen D99/28
2005/0194872 A1 * 9/2005 Cleveland A47B 81/005
312/290
2008/0229983 A1 * 9/2008 Pendleton A47B 81/005
109/45

OTHER PUBLICATIONS

Barska® Quick Access Electronic Biometric Fingerprint Gun Safe,<https://www.thehomesecuritysuperstore.com/products/gunvault-speedvault-electronic-biometric-steel-gun-safe>, copyright 2023. (Year: 2023).*

Vaultek NSL20I Slider Quick Access Biometric Handgun Safe,<https://www.deansafe.com/products/vaultek-nsl20i-slider-quick-access-biometric-handgun-safe>, Dec. 12, 2019. (Year: 2019).*

* cited by examiner

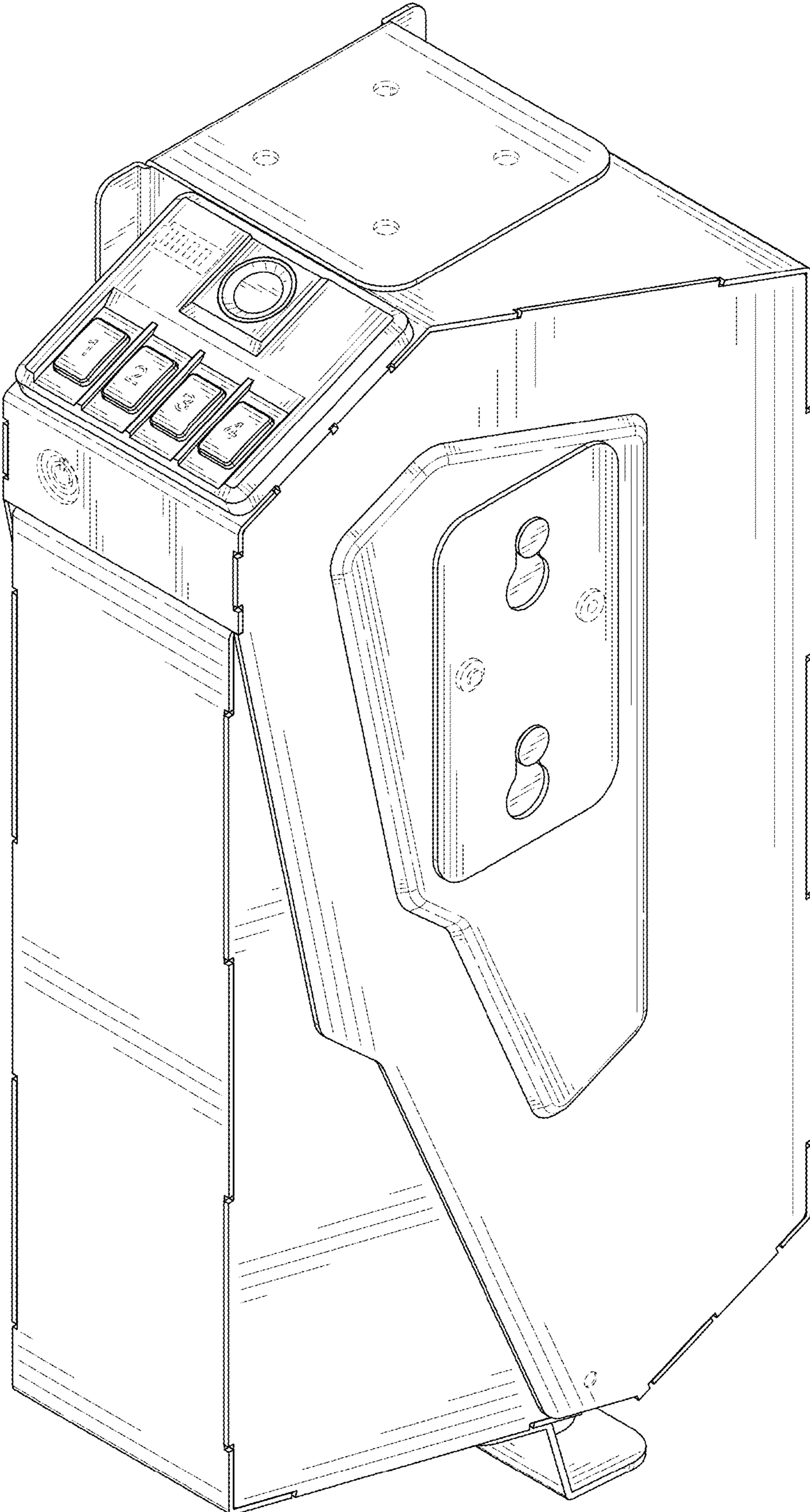


FIG. 1

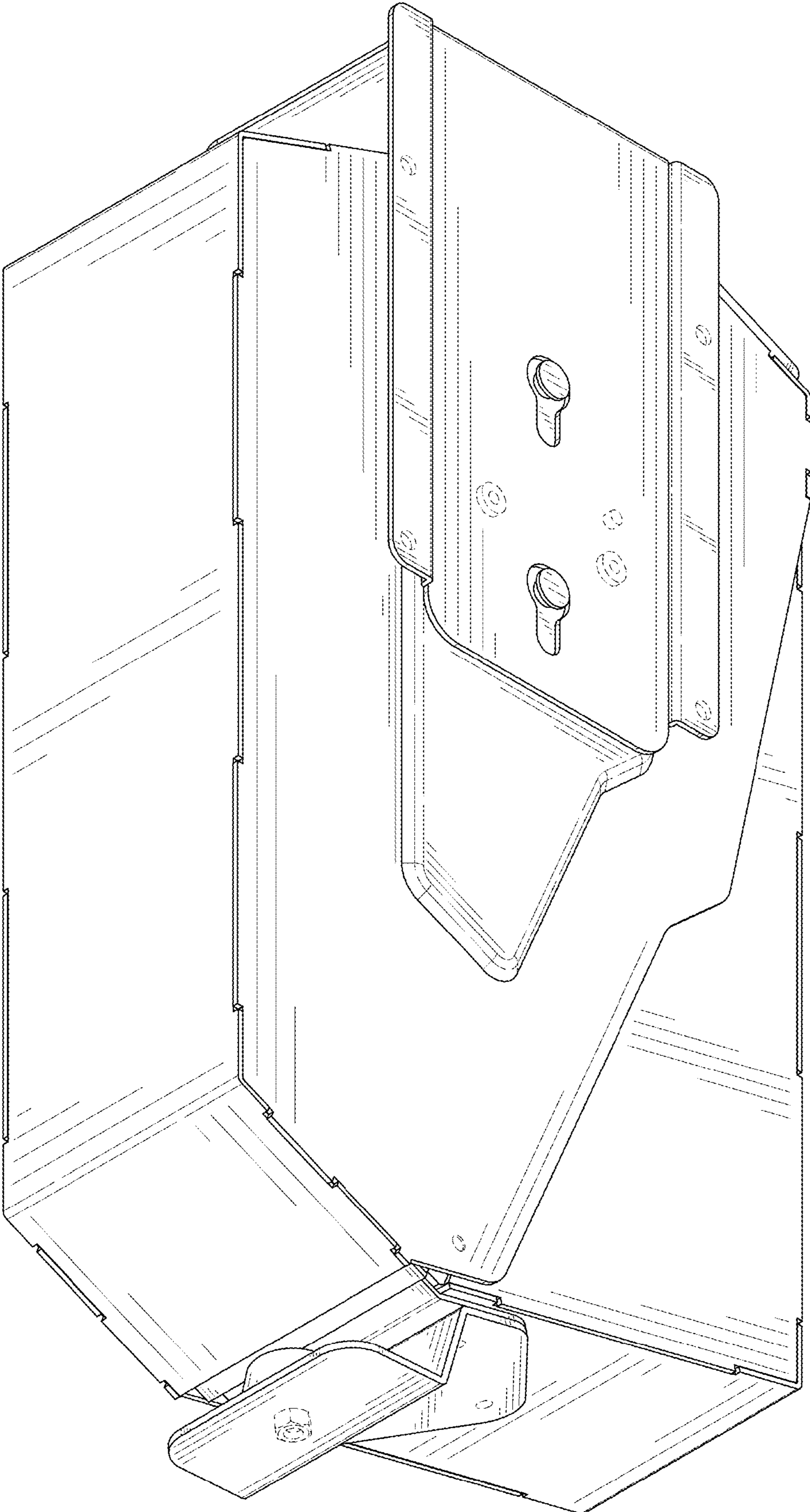


FIG. 2

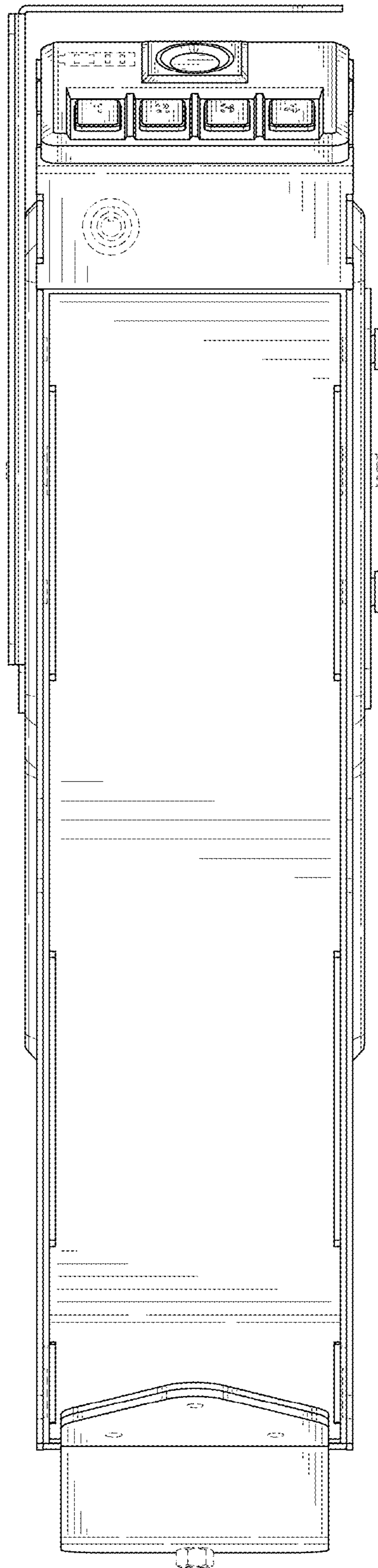


FIG. 3

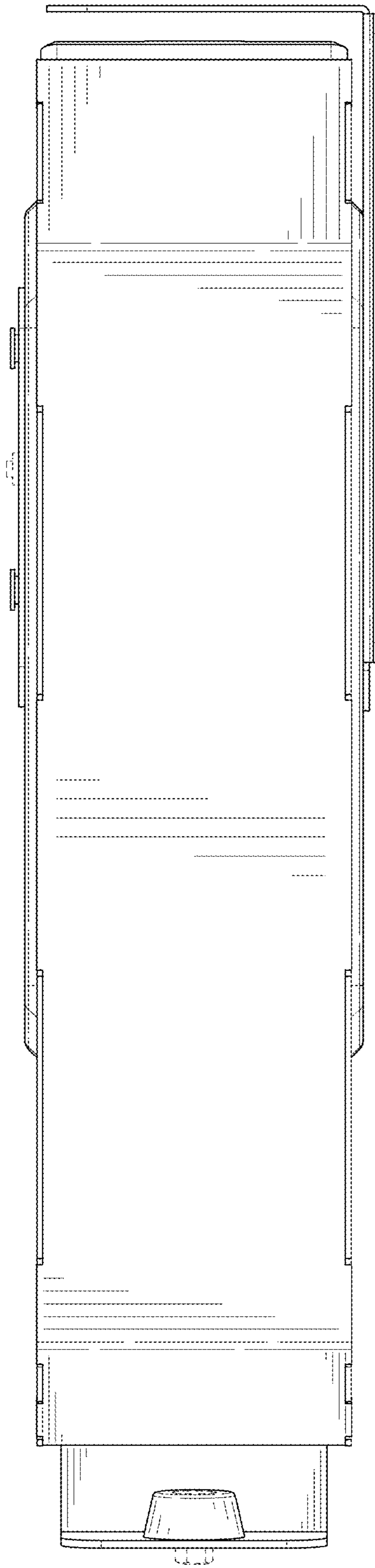


FIG. 4

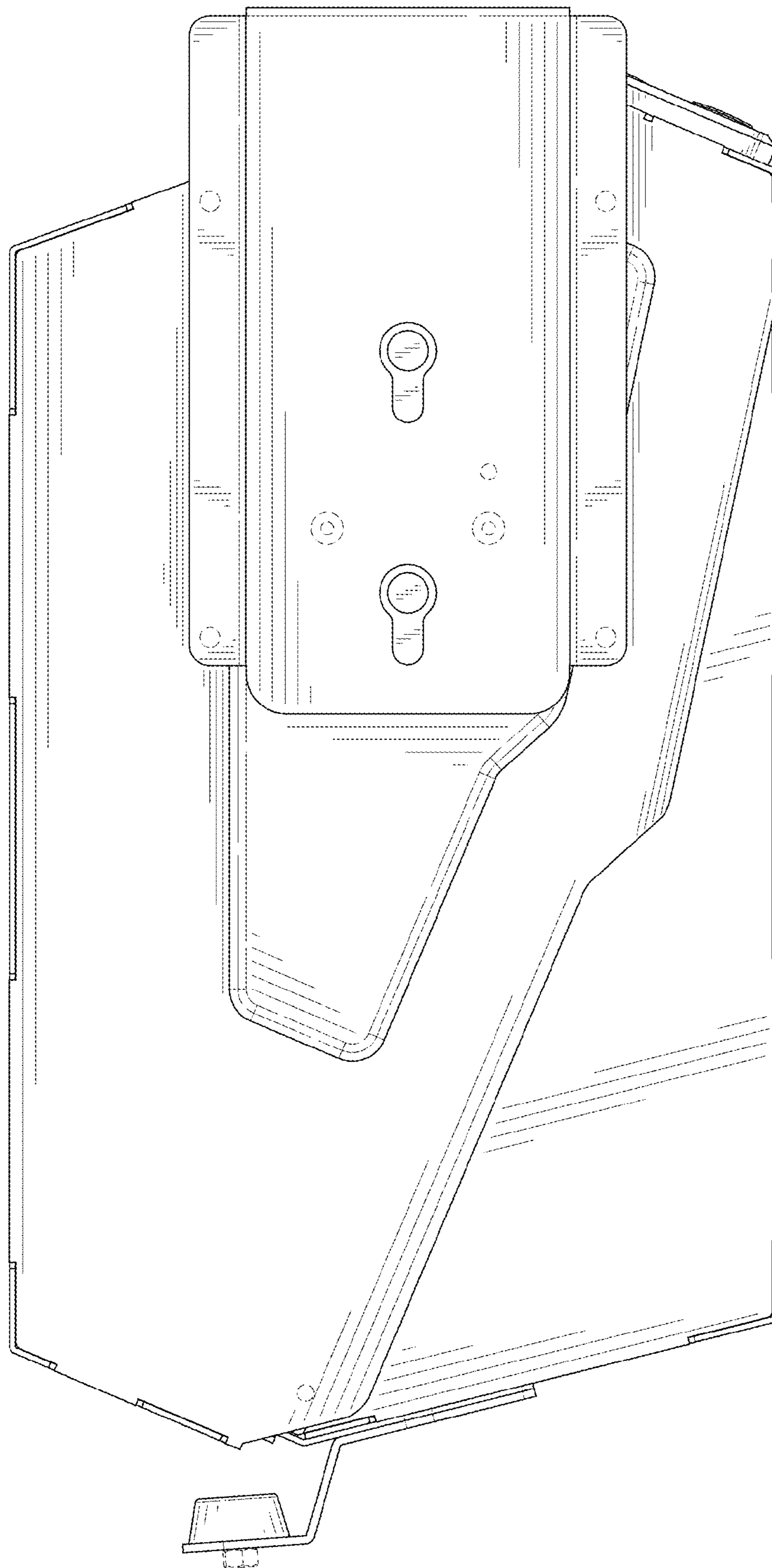


FIG. 5

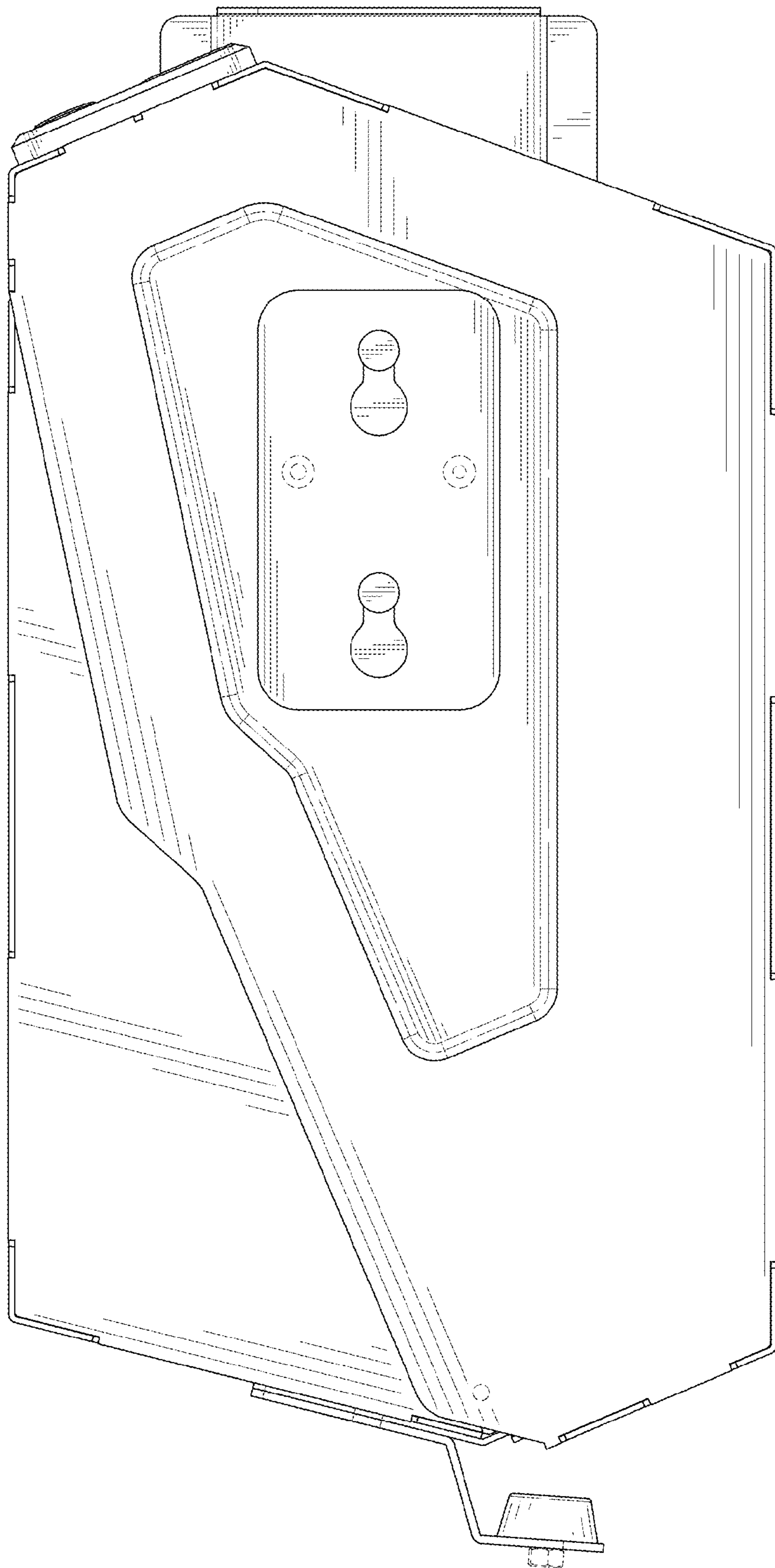


FIG. 6

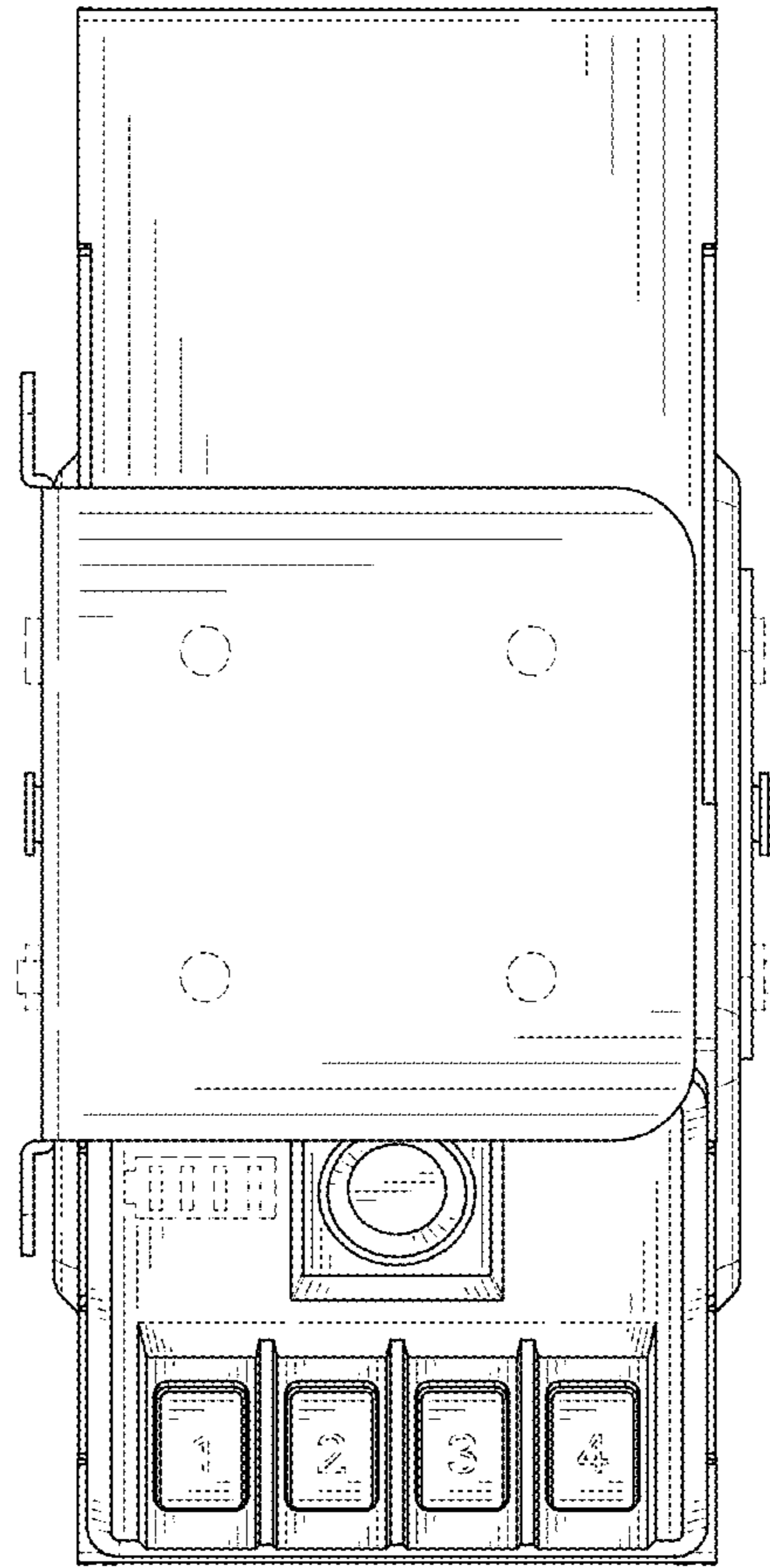


FIG. 7

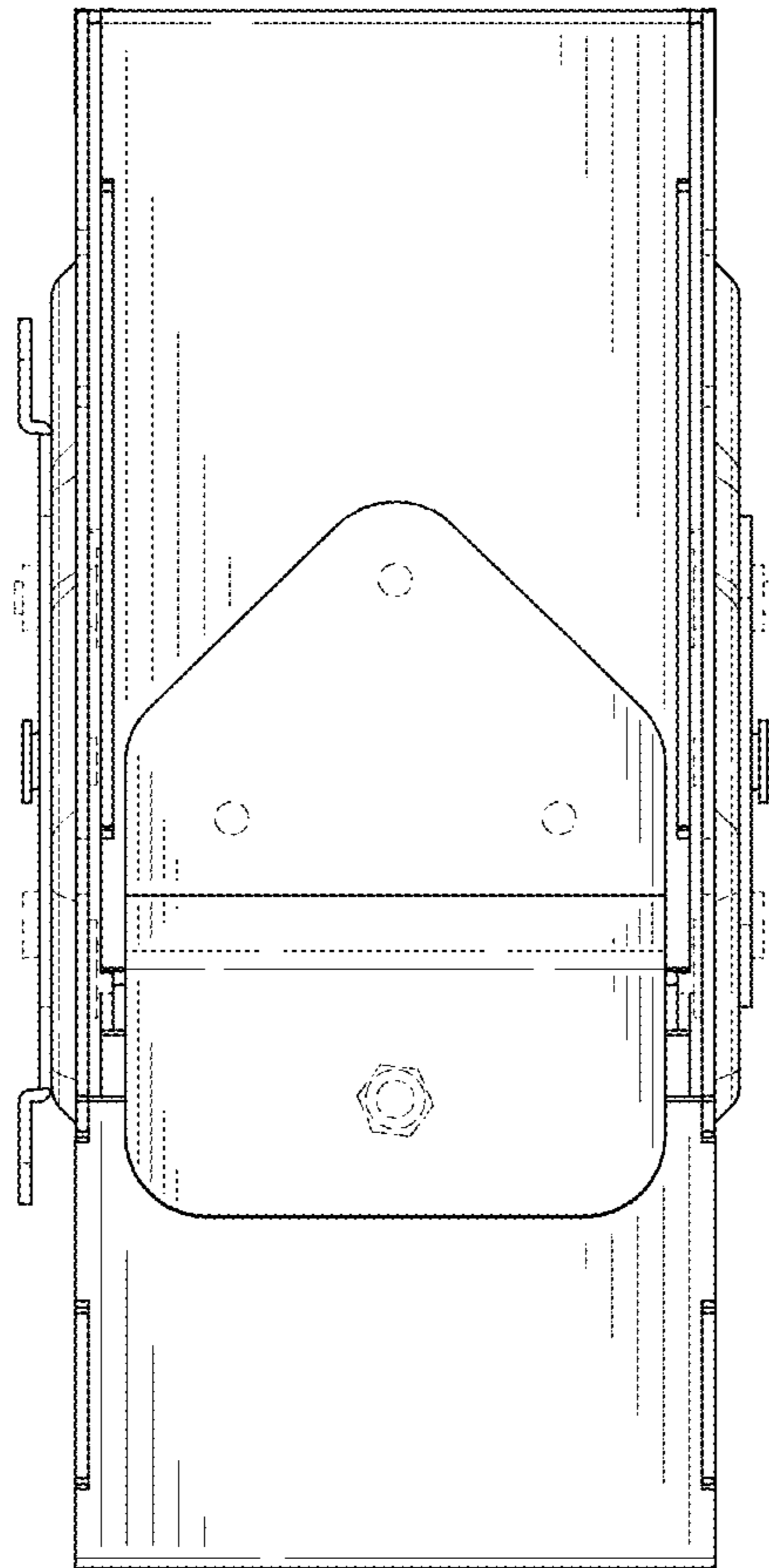


FIG. 8