



US00D987226S

(12) **United States Design Patent**
Glogovsky et al.

(10) **Patent No.:** **US D987,226 S**
(45) **Date of Patent:** **** May 23, 2023**

(54) **SAFE**

FOREIGN PATENT DOCUMENTS

(71) Applicant: **SA Consumer Products, Inc.**,
Leawood, KS (US)

EM 002688036-0001 4/2015
KR 3020170018257 10/2017

(72) Inventors: **Richard S. Glogovsky**, Libertyville, IL
(US); **Ben Lavalley**, McDonald, PA
(US); **Hu Chen Jie**, Ningbo (CN); **Hu
Hui Xiang**, Ningbo (CN)

OTHER PUBLICATIONS

SnapSafe 75401 Under Bed Safe L, [\(Continued\)](https://www.gunsafes.com/SnapSafe-75401-Under-Bed-Safe-L.html?gclid=EAlalQobChMlgN7OtOrC_AIVCZflCh2aBw87EAQYASABEgKO5vD_BwE,2023.(Year:2023).*</p></div>
<div data-bbox=)

(73) Assignee: **SA Consumer Products, Inc.**,
Leawood, KS (US)

(**) Term: **15 Years**

Primary Examiner — Elizabeth J Oswecki

(21) Appl. No.: **29/800,140**

(74) *Attorney, Agent, or Firm* — Avek IP, LLC

(22) Filed: **Jul. 19, 2021**

(51) **LOC (14) Cl.** **99-00**

(57) **CLAIM**

(52) **U.S. Cl.**
USPC **D99/28**

The ornamental design for a safe, as shown and described.

(58) **Field of Classification Search**

DESCRIPTION

USPC D99/28, 34, 35, 36, 43, 99; D3/900, 901,
D3/902, 903, 905, 201, 273, 274, 294,
D3/295, 296, 297; D18/3.1, 3.3, 12.1;
D6/663, 664, 667, 683, 683.1
CPC A45C 1/12; A45C 2001/125; A45C
2001/102; A45C 2001/104; A45C
2001/006; A45C 2001/003; A45C
2001/105; A45C 2001/107; E05G 1/00;
E05G 1/005; E05G 1/024; E05G 1/026;
E05G 5/00; E05G 7/00; E05G 7/001;
E05G 2700/00; E05G 2700/02; B63C
7/30; G07D 9/00; G07D 9/002; G07D
9/004; G07D 9/006; G07D 9/008; G07D
9/02; G07D

FIG. 1 is a right, front perspective view of a safe showing our new design, in a closed configuration;
FIG. 2 is a front elevation view of the safe of FIG. 1;
FIG. 3 is a back elevation view of the safe of FIG. 1;
FIG. 4 is a right side elevation view of the safe of FIG. 1;
FIG. 5 is a left side elevation view of the safe of FIG. 1;
FIG. 6 is a top plan view of the safe of FIG. 1;
FIG. 7 is a bottom plan view of the safe of FIG. 1;
FIG. 8 is a right front perspective view of the safe of FIG. 1 in an open configuration;
FIG. 9 is a front elevation view of the safe of FIG. 8;
FIG. 10 is a back elevation view of the safe of FIG. 8;
FIG. 11 is a right side elevation view of the safe of FIG. 8;
FIG. 12 is a left side elevation view of the safe of FIG. 8;
FIG. 13 is a top plan view of the safe of FIG. 8; and,
FIG. 14 is a bottom plan view of the safe of FIG. 8.
The broken lines in the drawings depict portions of the safe that form no part of the claimed design.

(Continued)

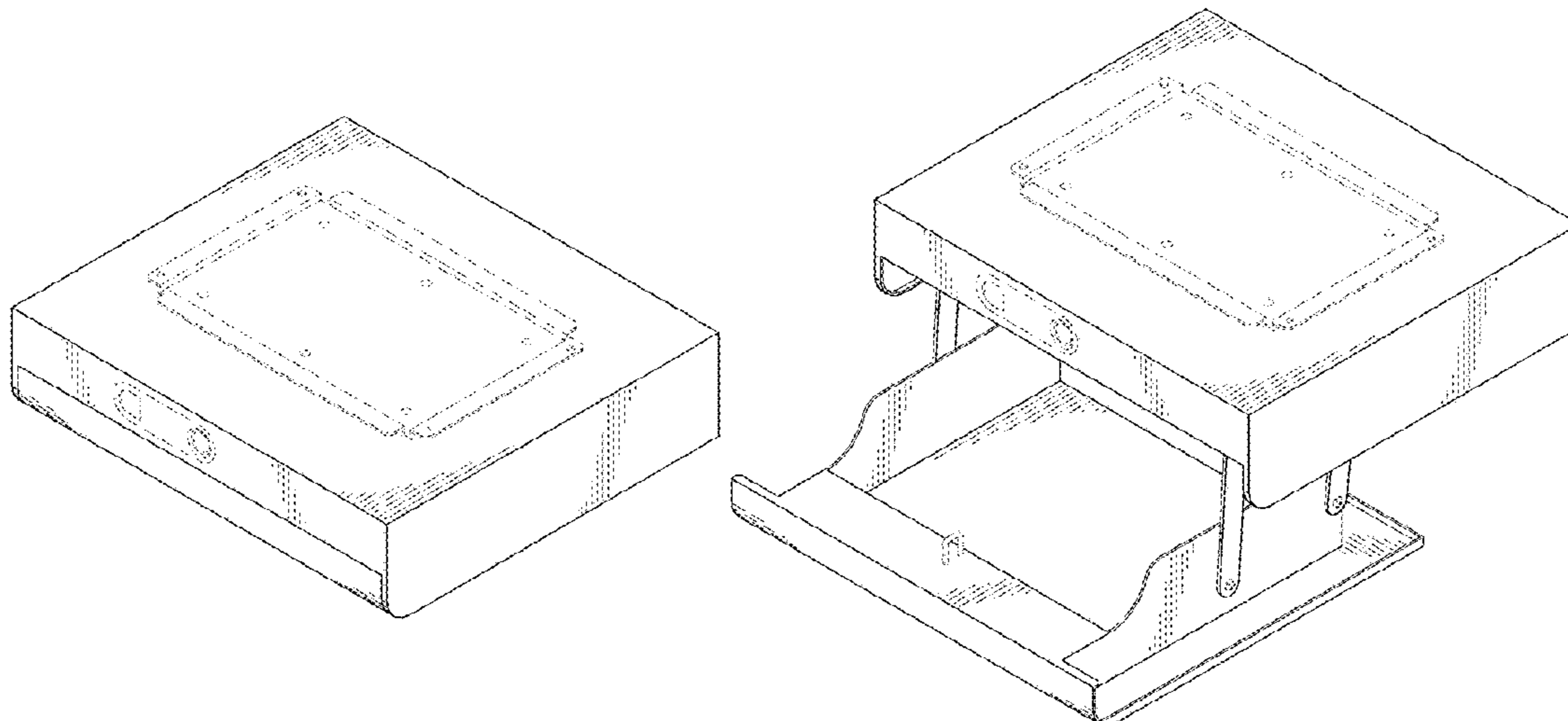
(56) **References Cited**

1 Claim, 10 Drawing Sheets

U.S. PATENT DOCUMENTS

D205,641 S * 8/1966 Roth D99/28
D264,159 S 5/1982 Bennett et al.

(Continued)



(58) **Field of Classification Search**
 CPC 9/04; G07D 9/06; G07D 9/065; G07D
 11/00; G07D 11/0021; G07D 13/00;
 G07D 2201/00; G07D 2211/00; G07F
 9/06; G07F 9/08
 See application file for complete search history.

(56) **References Cited**
 U.S. PATENT DOCUMENTS

D294,096 S 2/1988 Murphy
 5,170,907 A * 12/1992 Sakai E05G 1/005
 220/325
 5,189,894 A * 3/1993 Buck E05B 37/16
 70/351
 5,329,865 A 7/1994 McWard
 D350,002 S * 8/1994 Viola D99/28
 5,769,006 A * 6/1998 Allaer E05G 1/00
 109/51
 6,752,092 B2 * 6/2004 Beattie E05G 1/024
 109/74
 D541,045 S * 4/2007 Peart D99/28
 D542,529 S * 5/2007 Peart D3/276
 D558,977 S * 1/2008 Peart D99/28
 D561,994 S * 2/2008 Peart D99/28
 D568,312 S * 5/2008 Wang D14/356
 D624,275 S * 9/2010 Min D99/28
 D635,324 S * 3/2011 Plato D99/28
 8,074,477 B1 * 12/2011 Weiche F41C 33/06
 5/503.1
 D671,705 S * 11/2012 Edmondson D99/28
 D677,855 S * 3/2013 Eick D99/35
 D688,024 S 8/2013 Metlen et al.
 D720,394 S 12/2014 Heckler
 D729,515 S * 5/2015 Slimane D3/242

D734,535 S * 7/2015 Dyer D27/189
 D747,065 S 1/2016 Chap
 D788,462 S * 6/2017 Zhu D3/294
 D817,589 S 5/2018 Culbreth
 D829,341 S 9/2018 Morohoshi et al.
 D833,773 S 11/2018 Spurr
 10,253,529 B1 * 4/2019 McGinn E05B 35/00
 D866,913 S 11/2019 Xu
 D893,123 S 8/2020 Yu
 D895,225 S * 9/2020 Smith D99/28
 D904,724 S 12/2020 Zhang
 D912,365 S * 3/2021 Shen D99/28
 D920,623 S * 5/2021 Loeppert D99/28
 D939,805 S * 12/2021 Qian D99/28
 D946,235 S * 3/2022 Baker D99/28
 D952,985 S * 5/2022 Zhu D99/28
 D954,384 S * 6/2022 Zhu D99/28
 D954,385 S * 6/2022 Zhu D99/28
 D968,747 S * 11/2022 Chen D99/28
 D969,444 S * 11/2022 Rui D99/28
 D969,445 S * 11/2022 Deng D99/28
 2004/0045329 A1 * 3/2004 Farnham E05B 73/0005
 70/161
 2006/0108252 A1 * 5/2006 Lax A45C 11/00
 206/308.1

OTHER PUBLICATIONS

Medium Portable Safe with Electric Lock, <https://www.farmandfleet.com/products/1263711-fortress-medium-portable-safe-with-electric-lock.html>, 2021. (Year: 2021).*
 Barska Drawer Style Compact Safe with Key Lock, https://www.bhphotovideo.com/c/product/937643-REG/barska_ax11810_drawer_style_compact_safe.html, 2023. (Year: 2023).*

* cited by examiner

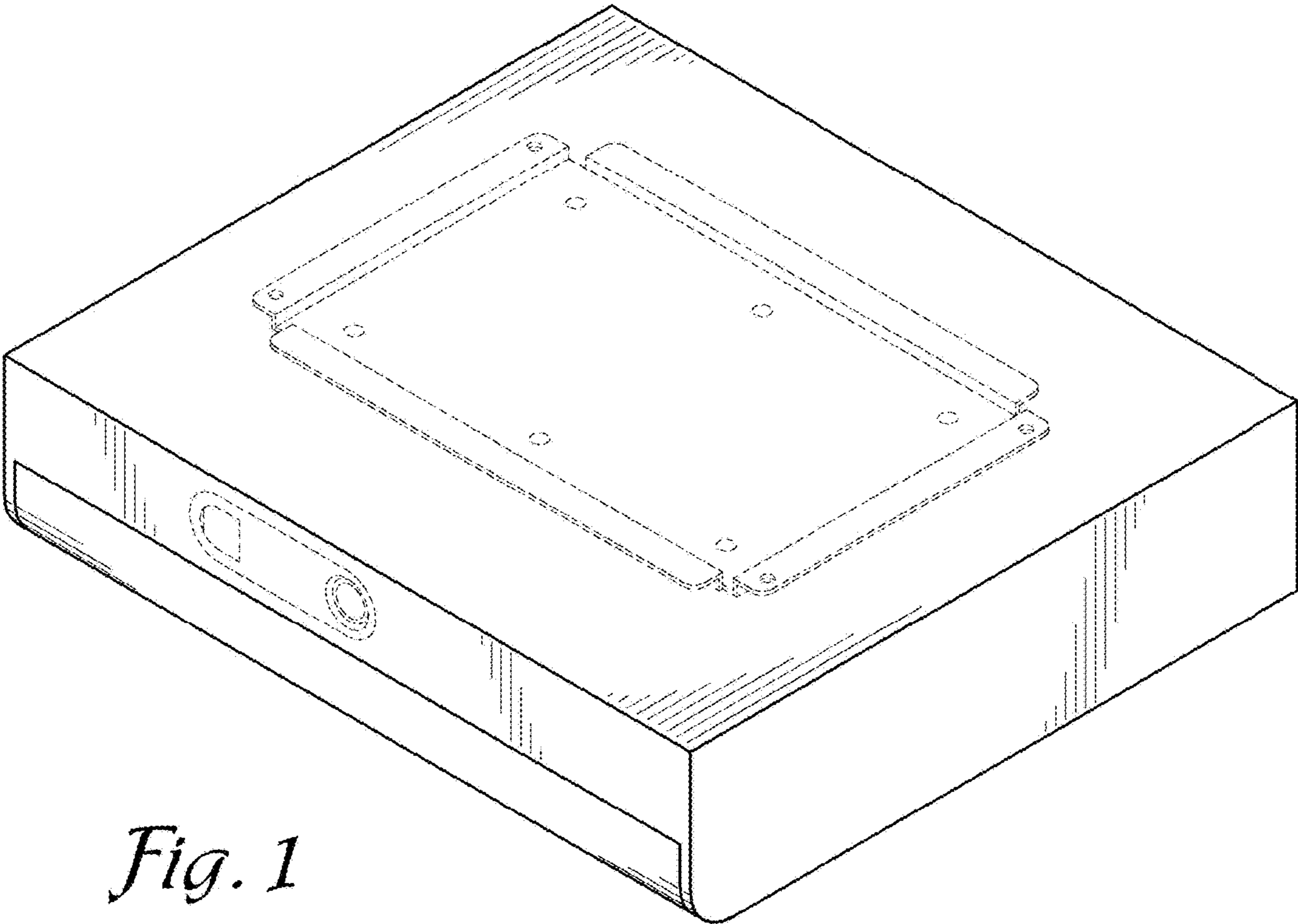


Fig. 1

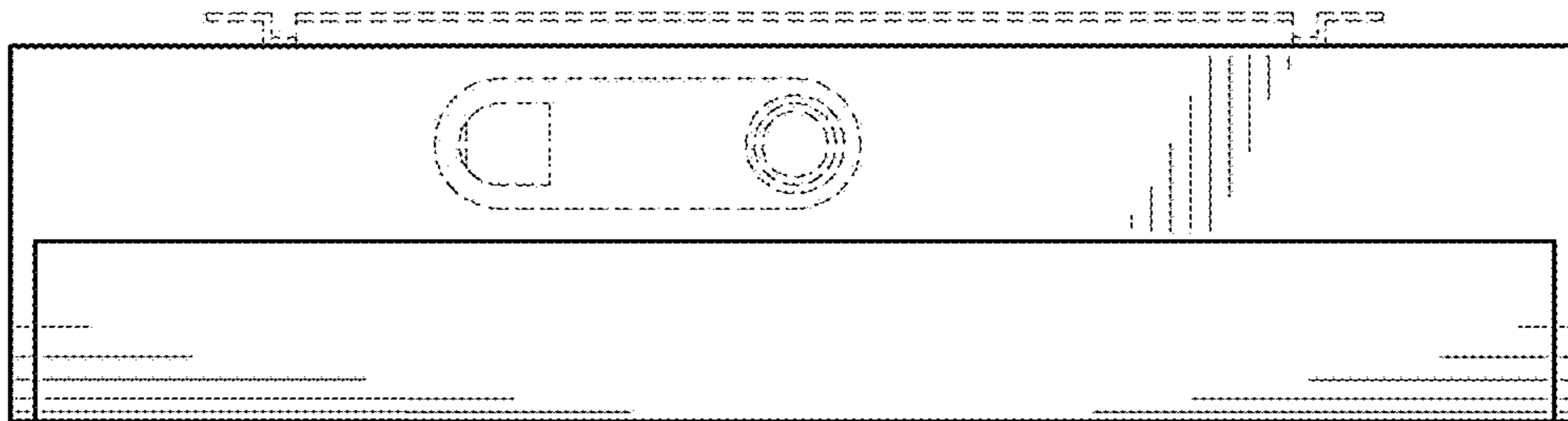


Fig. 2

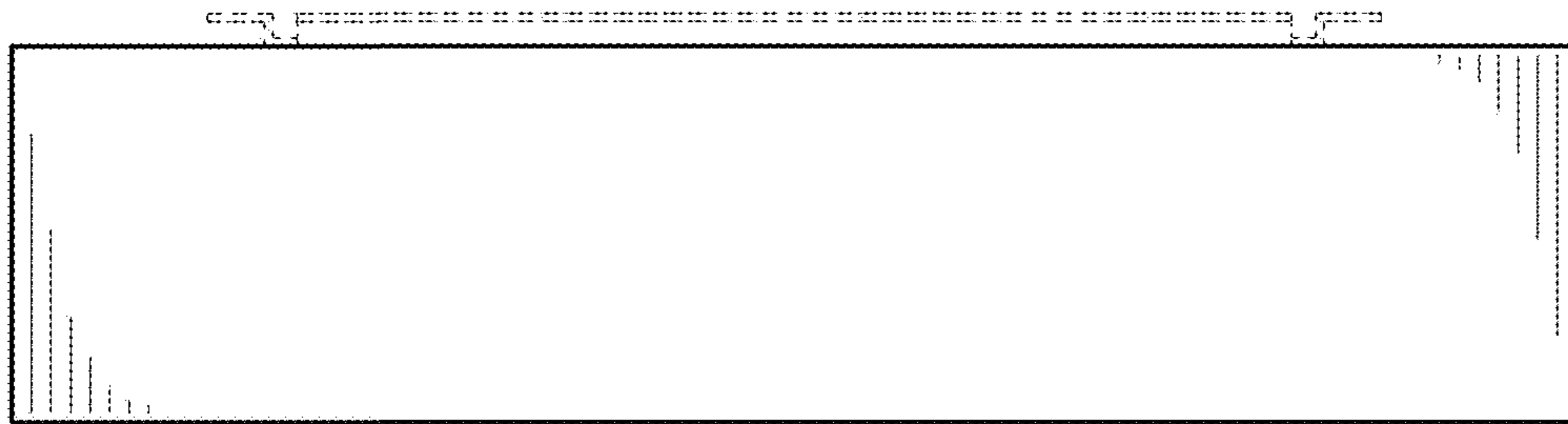


Fig. 3

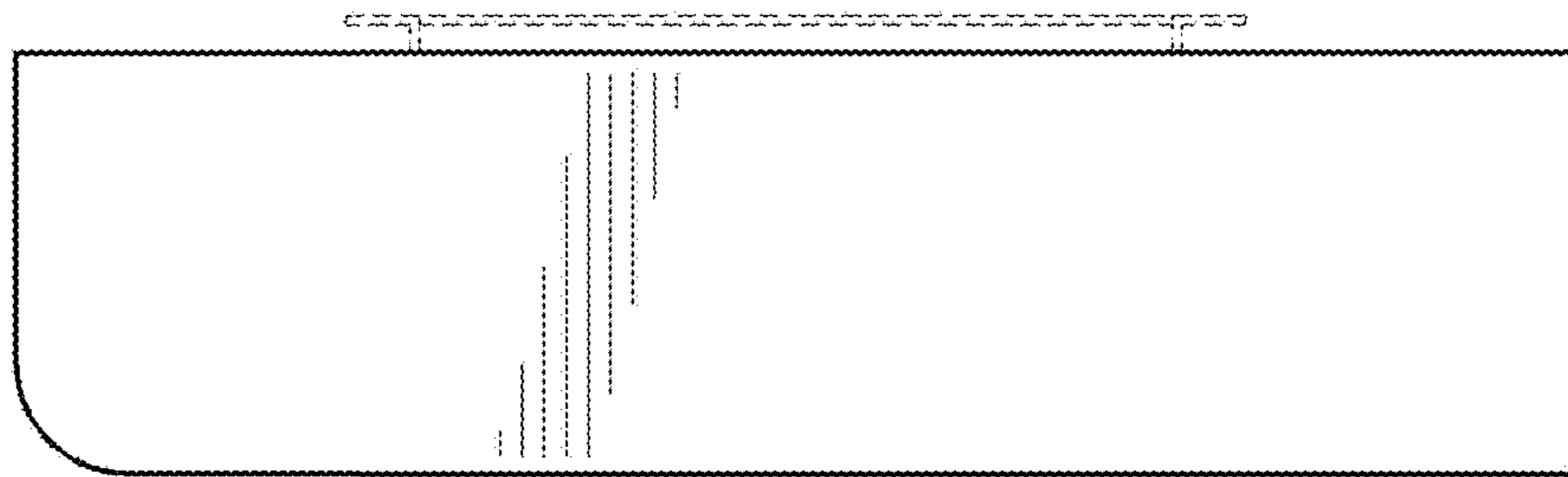


Fig. 4

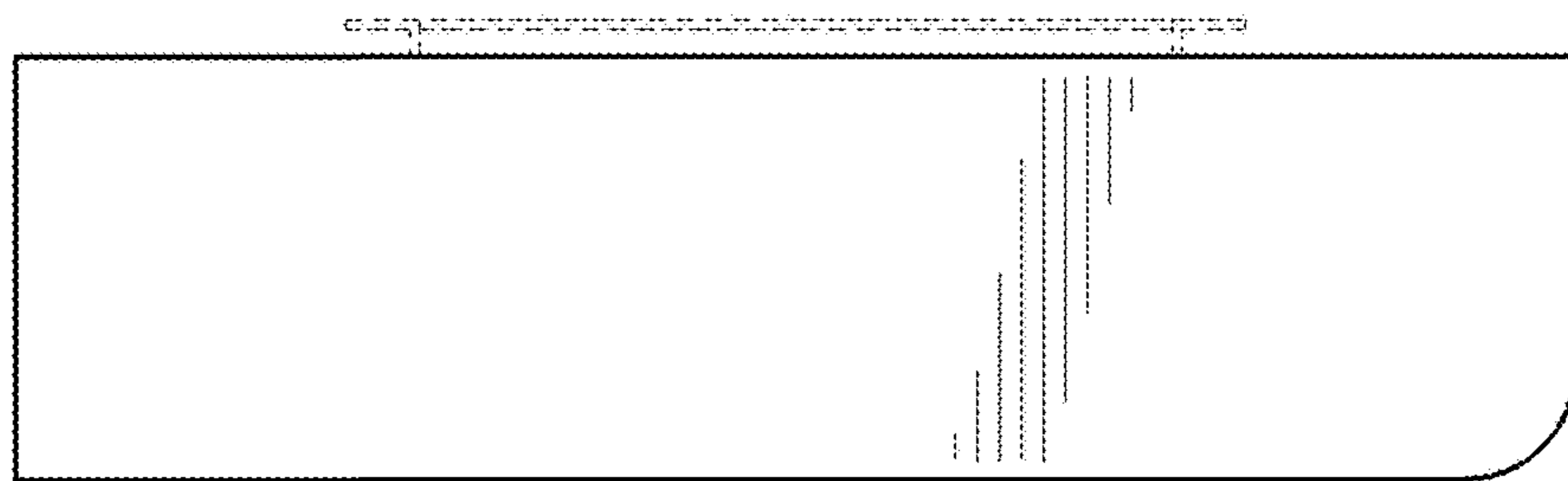


Fig. 5

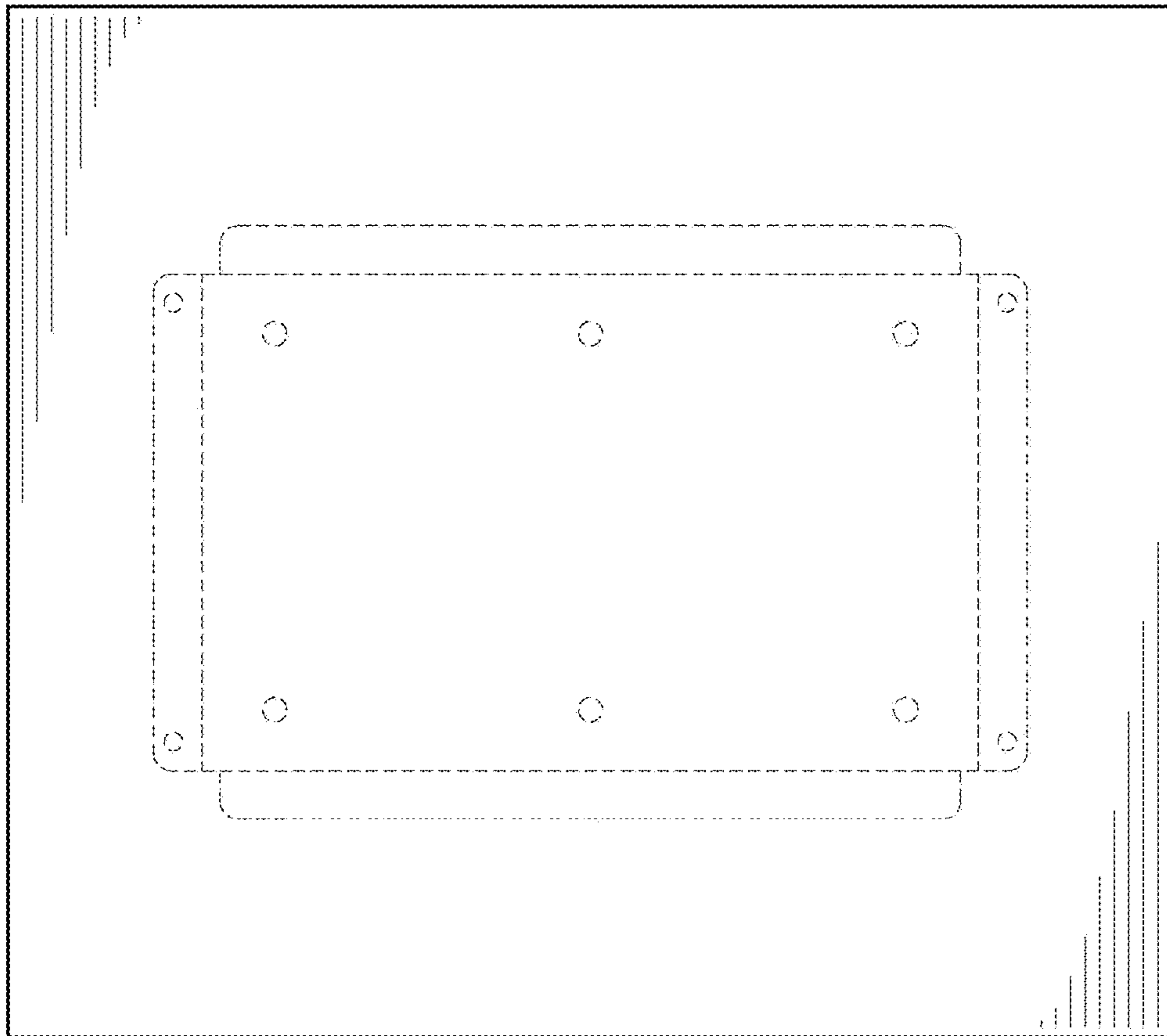


Fig. 6

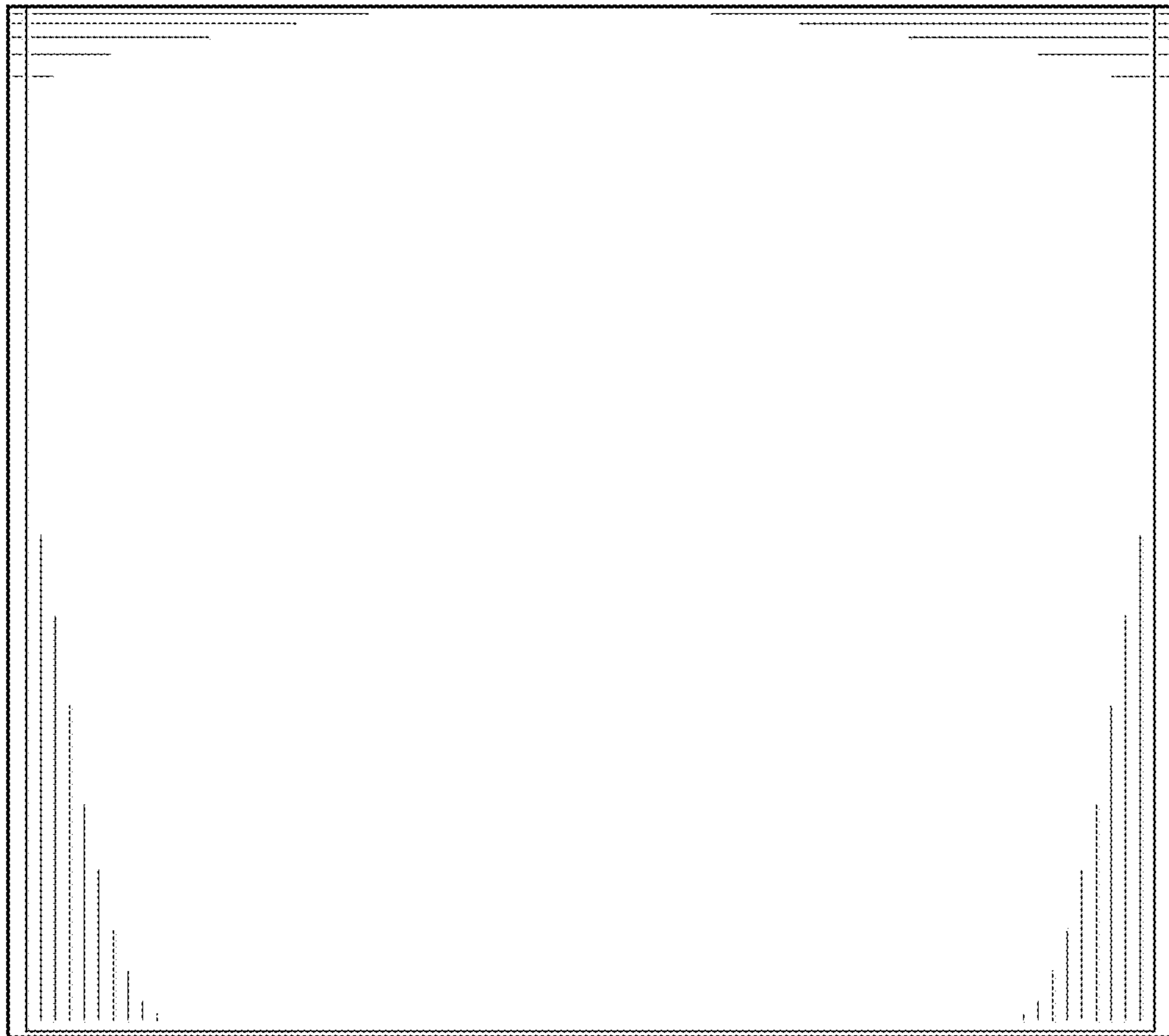


Fig. 7

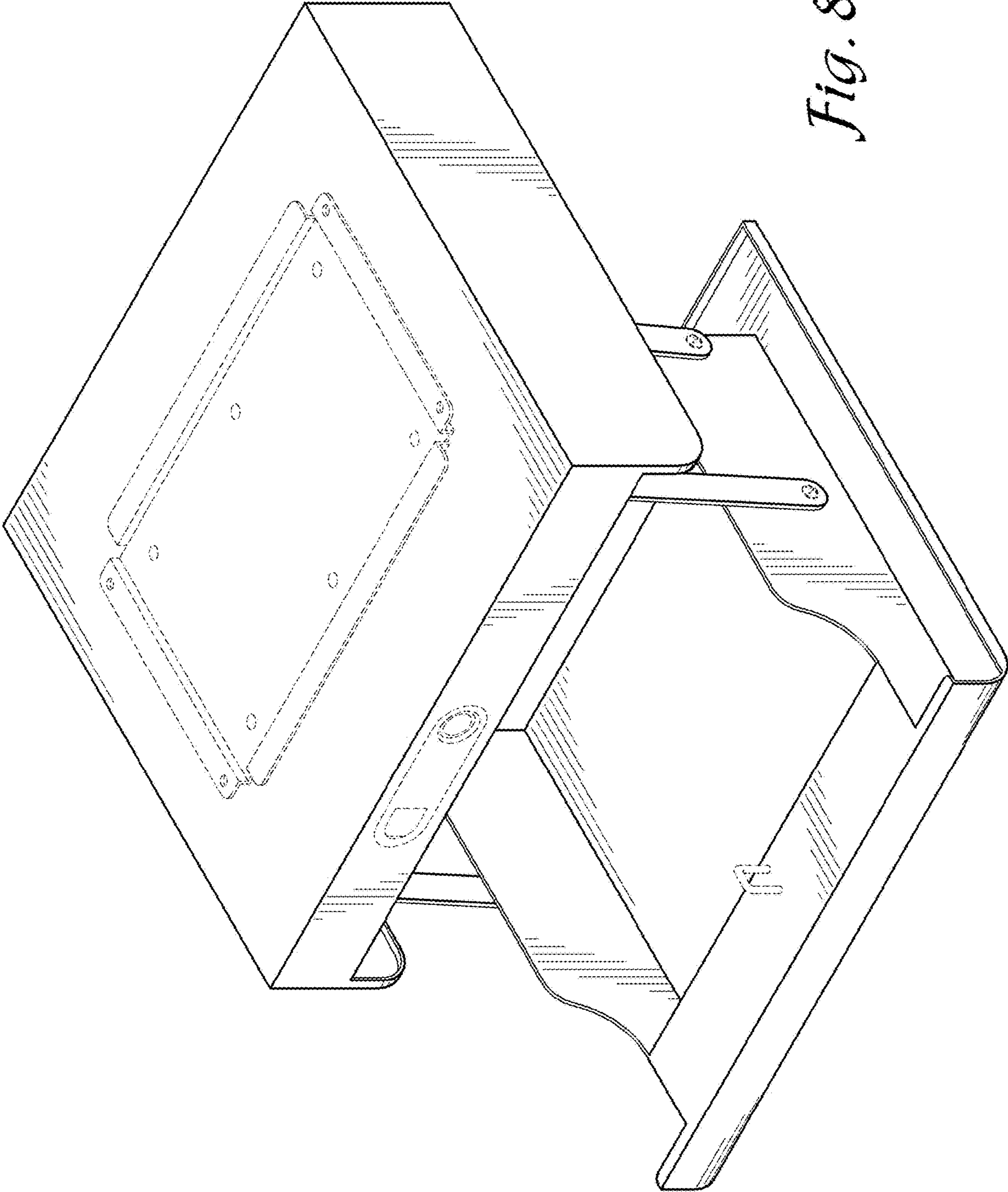


Fig. 8

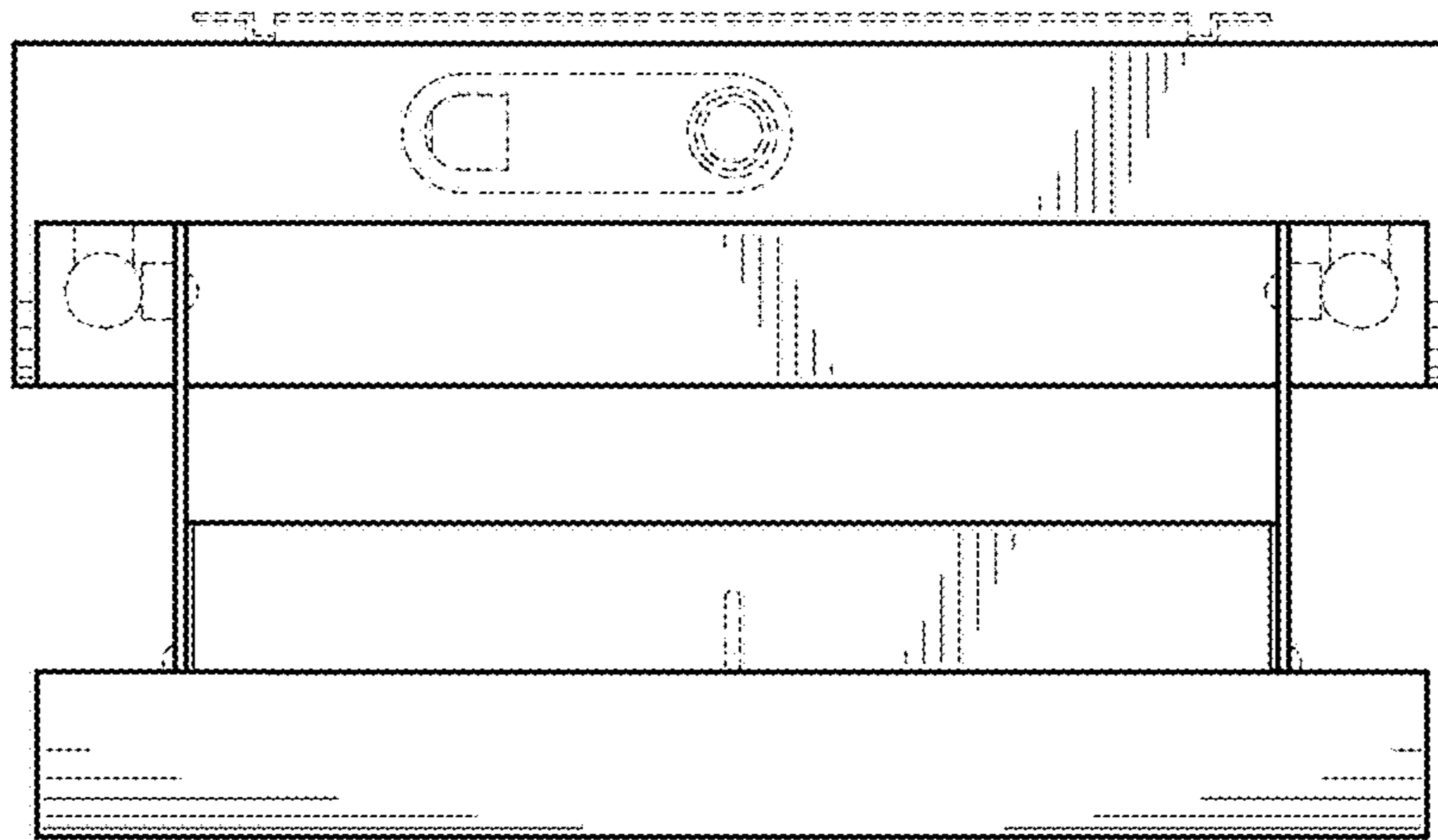


Fig. 9

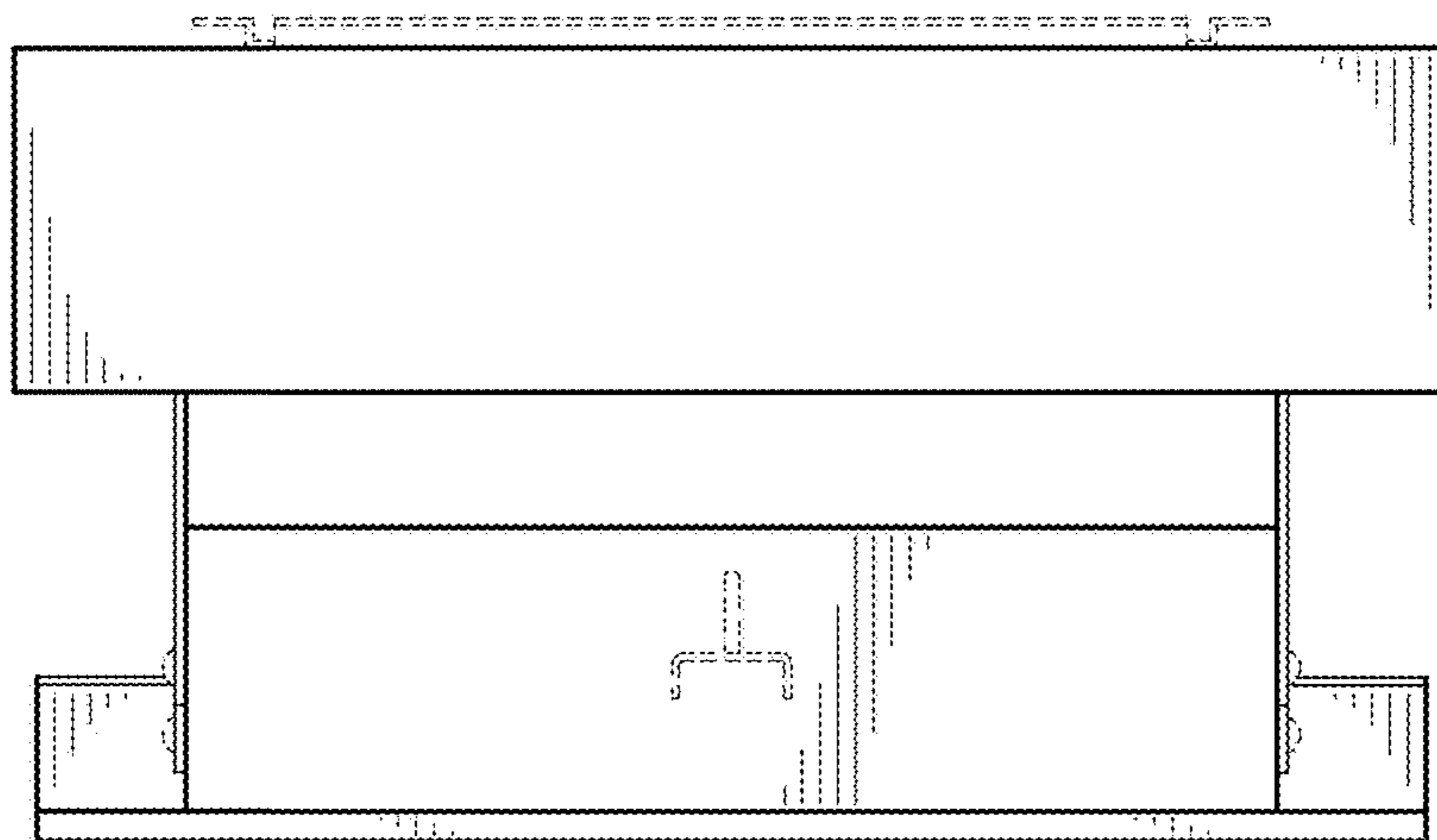


Fig. 10

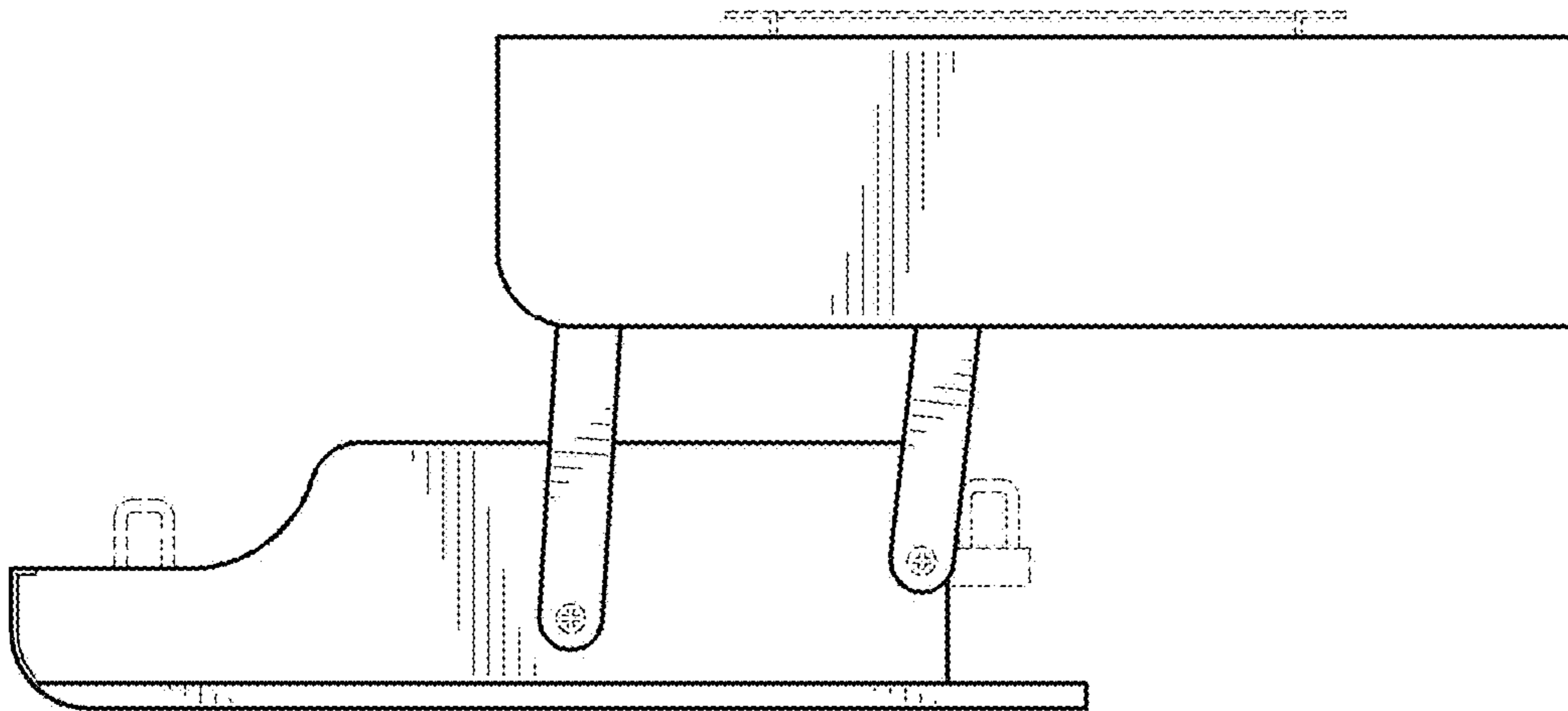


Fig. 11

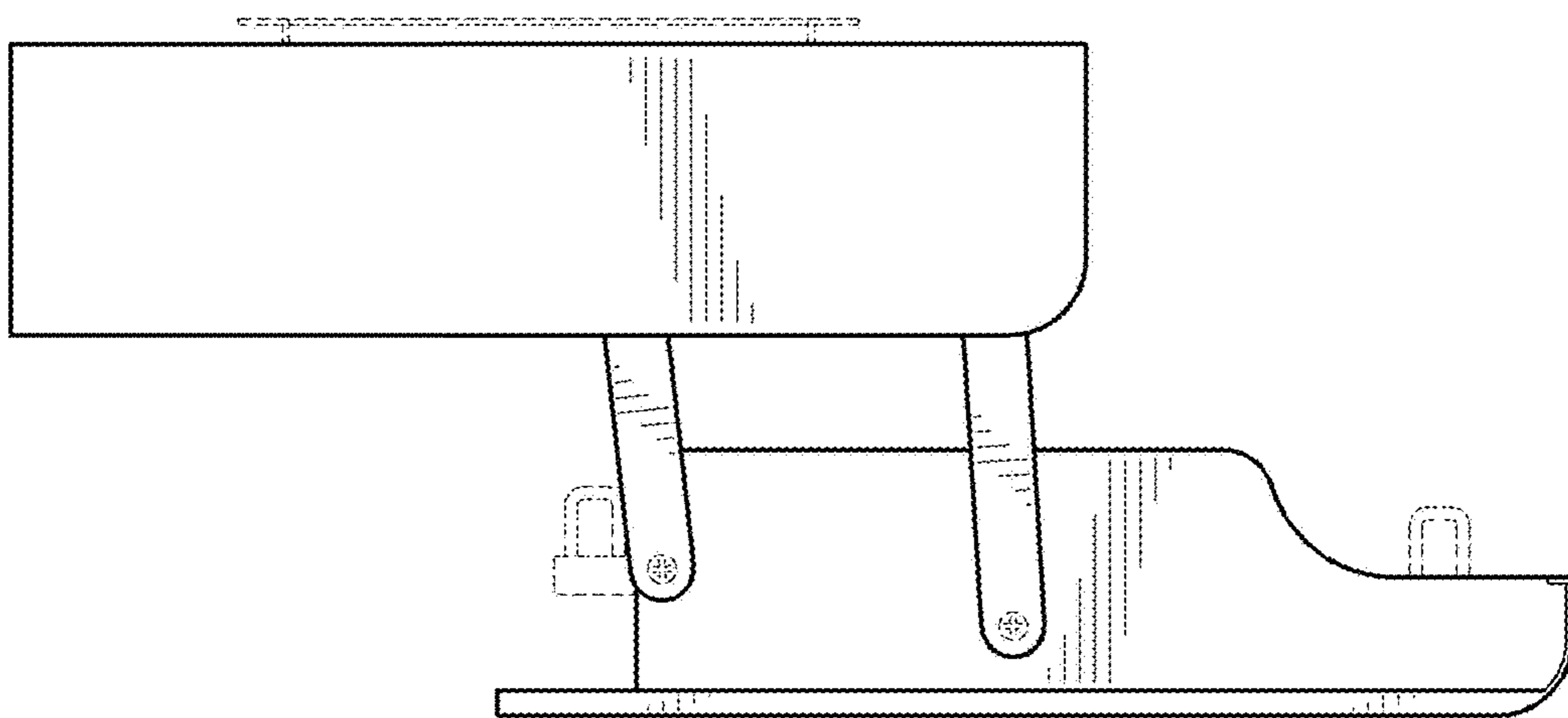


Fig. 12

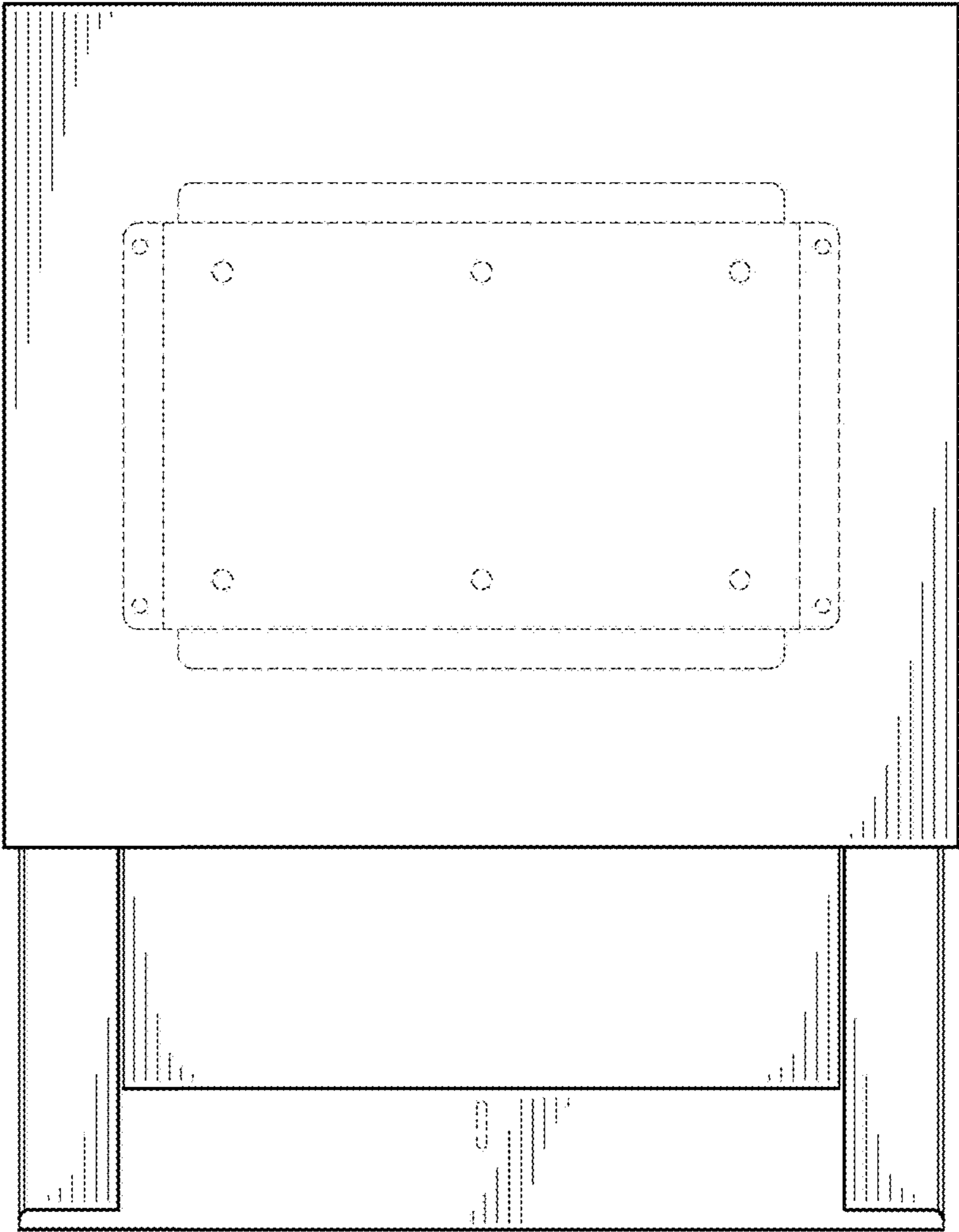


Fig. 13

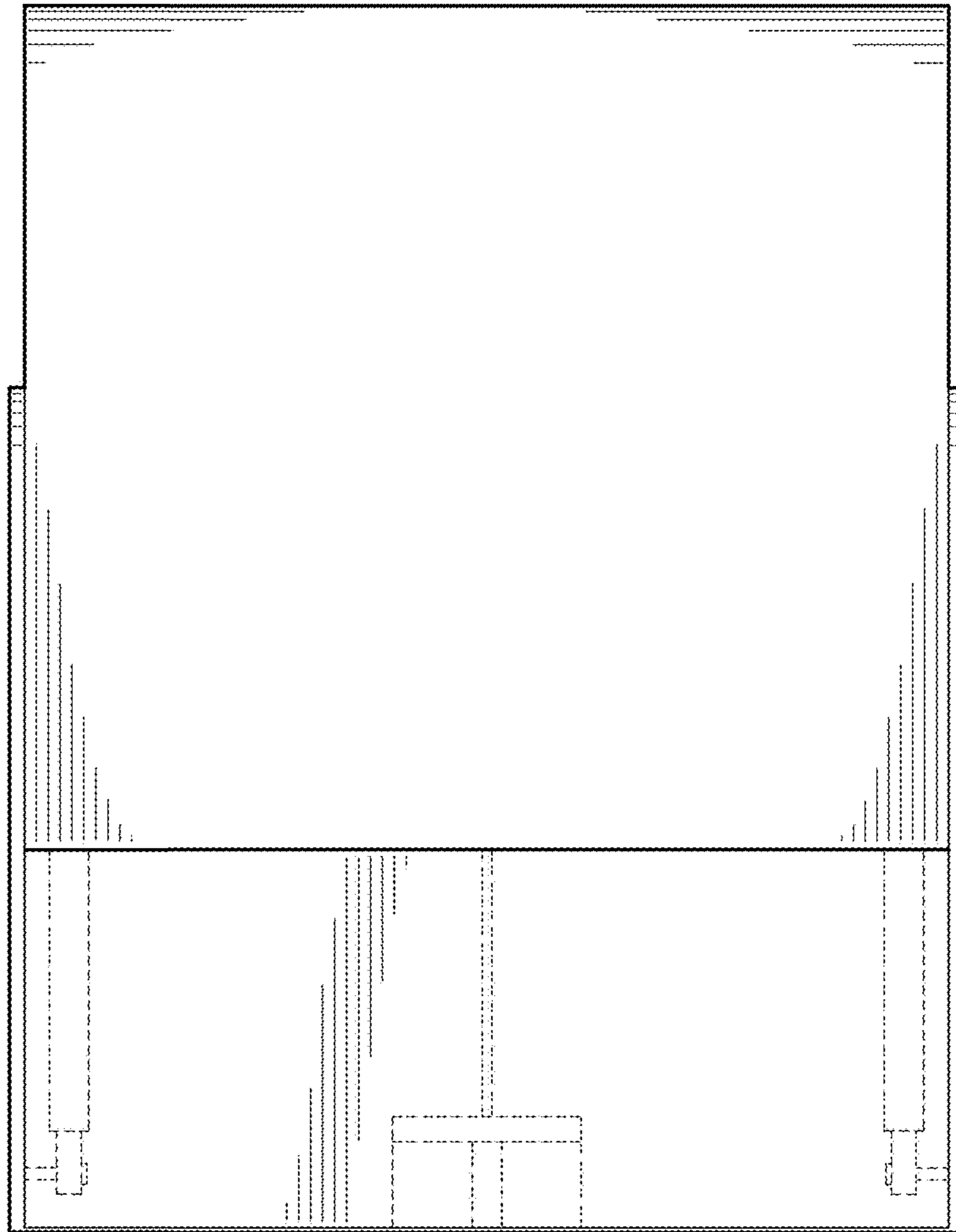


Fig. 14