



US00D987223S

(12) **United States Design Patent** (10) **Patent No.:** **US D987,223 S**
Aho et al. (45) **Date of Patent:** **** May 23, 2023**

(54) **WINCH CONTROL HOUSING**
(71) Applicant: **ENGO Industries, LLC**, Battle Ground, WA (US)
(72) Inventors: **Drew V. Aho**, Battle Ground, WA (US); **Ting Cui**, Ningbo (CN)

D888,360 S * 6/2020 Zheng D34/33
D896,463 S 9/2020 Saeger et al.
D898,321 S 10/2020 Fretz et al.
D898,322 S 10/2020 Fretz et al.
D906,624 S 12/2020 Wilcox et al.
D923,281 S 6/2021 Wilcox et al.
D923,906 S 6/2021 Fogg et al.
(Continued)

(73) Assignee: **ENGO INDUSTRIES, LLC**, Battel Ground, WA (US)

FOREIGN PATENT DOCUMENTS

(**) Term: **15 Years**

CA 2924918 A1 * 12/2013 B66D 1/02
FR 2992636 A1 * 1/2014 B66D 1/02

(21) Appl. No.: **29/777,967**

OTHER PUBLICATIONS

(22) Filed: **Apr. 9, 2021**

Zoro.com Aug. 31, 2022, Electric Winch 12VDC, <https://www.zoro.com/warn-electric-winch-12vdc-12000-lb-capacity-103255> (Year: 2022).*

(51) **LOC (14) Cl.** **12-05**

(52) **U.S. Cl.**
USPC **D34/33**

(Continued)

(58) **Field of Classification Search**
USPC D34/32, 33
CPC ... B66D 1/14; B66D 1/38; B66D 1/28; B66D 1/04; B66D 1/22; B66D 1/39; B66D 1/7405; B66D 1/00; B66D 1/08; B66D 1/26; B66D 1/36; B66D 1/505; B66D 1/7484

Primary Examiner — Cynthia Ramirez
(74) *Attorney, Agent, or Firm* — Luedeka Neely Group PC

See application file for complete search history.

(57) **CLAIM**

The ornamental design for a winch control housing, as shown and described.

(56) **References Cited**

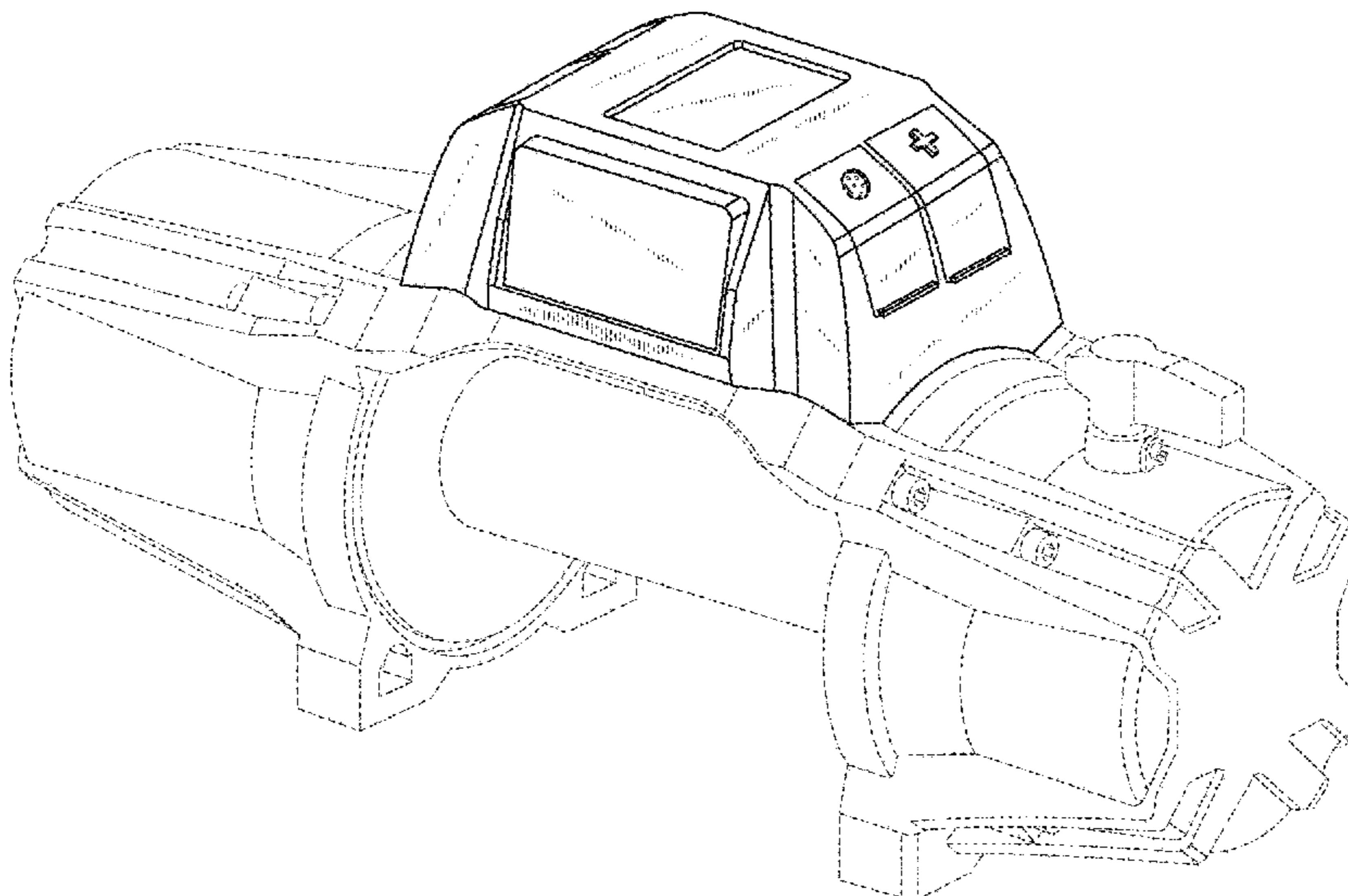
DESCRIPTION

U.S. PATENT DOCUMENTS

D550,924 S 9/2007 Huang
D703,414 S 4/2014 Fretz et al.
D740,513 S * 10/2015 Fretz D34/33
D742,614 S 11/2015 Aho
D744,189 S * 11/2015 Fretz D34/33
9,266,702 B2 * 2/2016 Fretz B66D 1/28
D779,768 S * 2/2017 Fretz D34/33
D799,143 S 10/2017 Cui
D799,779 S 10/2017 Aho
D811,684 S * 2/2018 Fretz D34/33
D815,386 S 4/2018 August et al.
D816,937 S 5/2018 Fretz et al.
D816,938 S 5/2018 Fretz et al.

FIG. 1 is a front perspective view of a winch control housing showing our new design;
FIG. 2 is a rear perspective view thereof;
FIG. 3 is a left side elevation view thereof;
FIG. 4 is a right side elevation view thereof;
FIG. 5 is a front elevation view thereof;
FIG. 6 is a rear elevation view thereof;
FIG. 7 is a top plan view thereof; and,
FIG. 8 is a bottom plan view thereof.
The broken lines show portions of the winch control housing which form no part of the claimed design.

1 Claim, 8 Drawing Sheets



(56)

References Cited

U.S. PATENT DOCUMENTS

D932,727 S * 10/2021 Ye D34/33
D950,185 S 4/2022 Elliott et al.
2014/0001427 A1* 1/2014 Fretz B66D 1/28
254/362
2014/0252286 A1* 9/2014 Averill B66D 1/16
254/342
2015/0307332 A1* 10/2015 Huang B66D 1/12
254/323
2016/0096709 A1* 4/2016 Averill B66D 1/12
318/6
2018/0118528 A1 5/2018 August et al.
2018/0118530 A1* 5/2018 August B66D 1/005
2018/0118531 A1 5/2018 August et al.
2019/0092608 A1* 3/2019 Cui B66D 1/00
2021/0139299 A1 5/2021 Crain et al.

OTHER PUBLICATIONS

Warn Standard Duty Winches, Accessed at <https://www.warn.com/standard-duty-series-vr-evo>.
Reesehitches.com Jul. 8, 2022, Superwinch SX10SR 12V synthetic rope winch, <https://www.reesehitches.com/products/W-1710201> (Year: 2022).

* cited by examiner

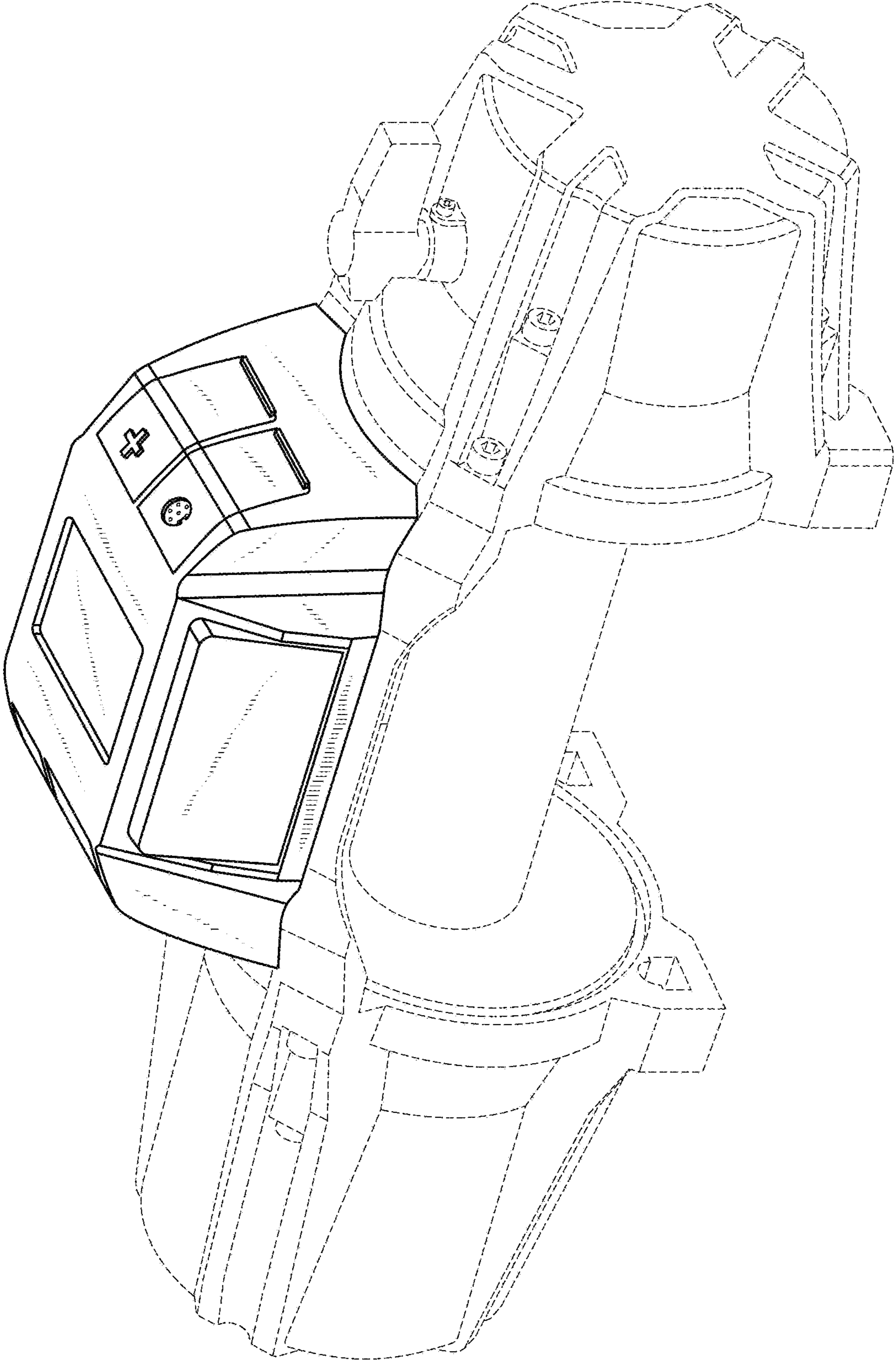


FIG. 1

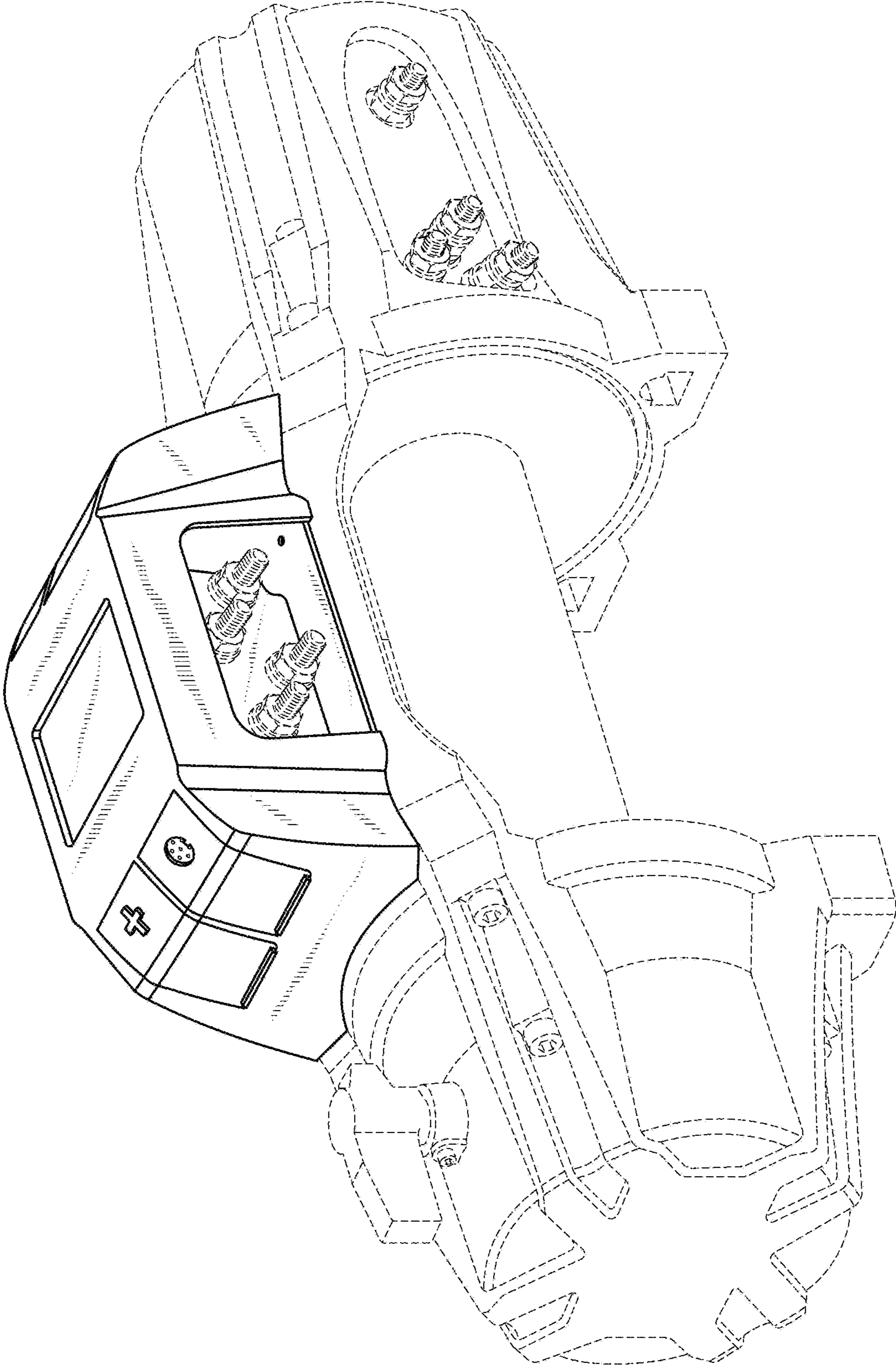


FIG. 2

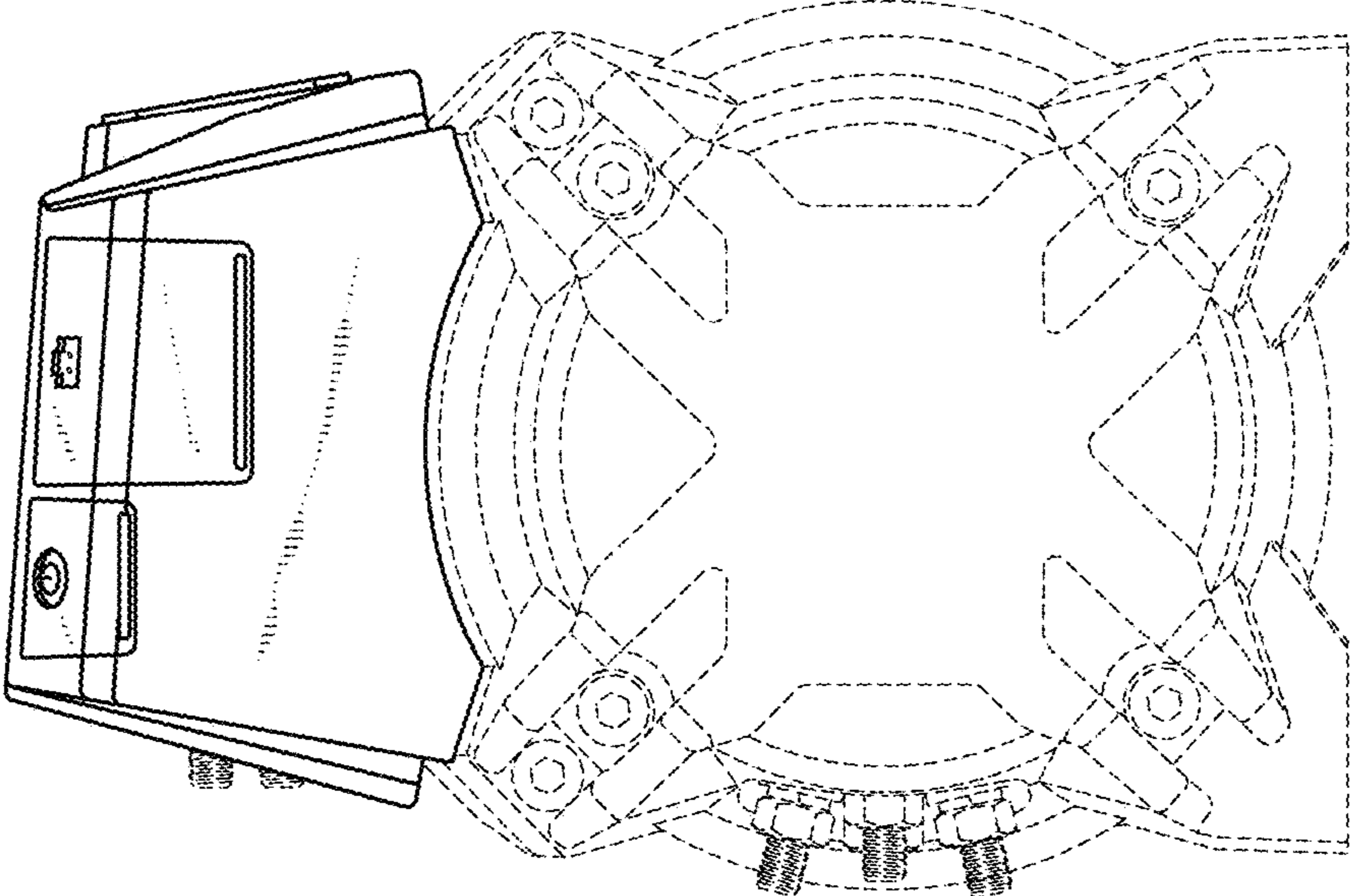


FIG. 3

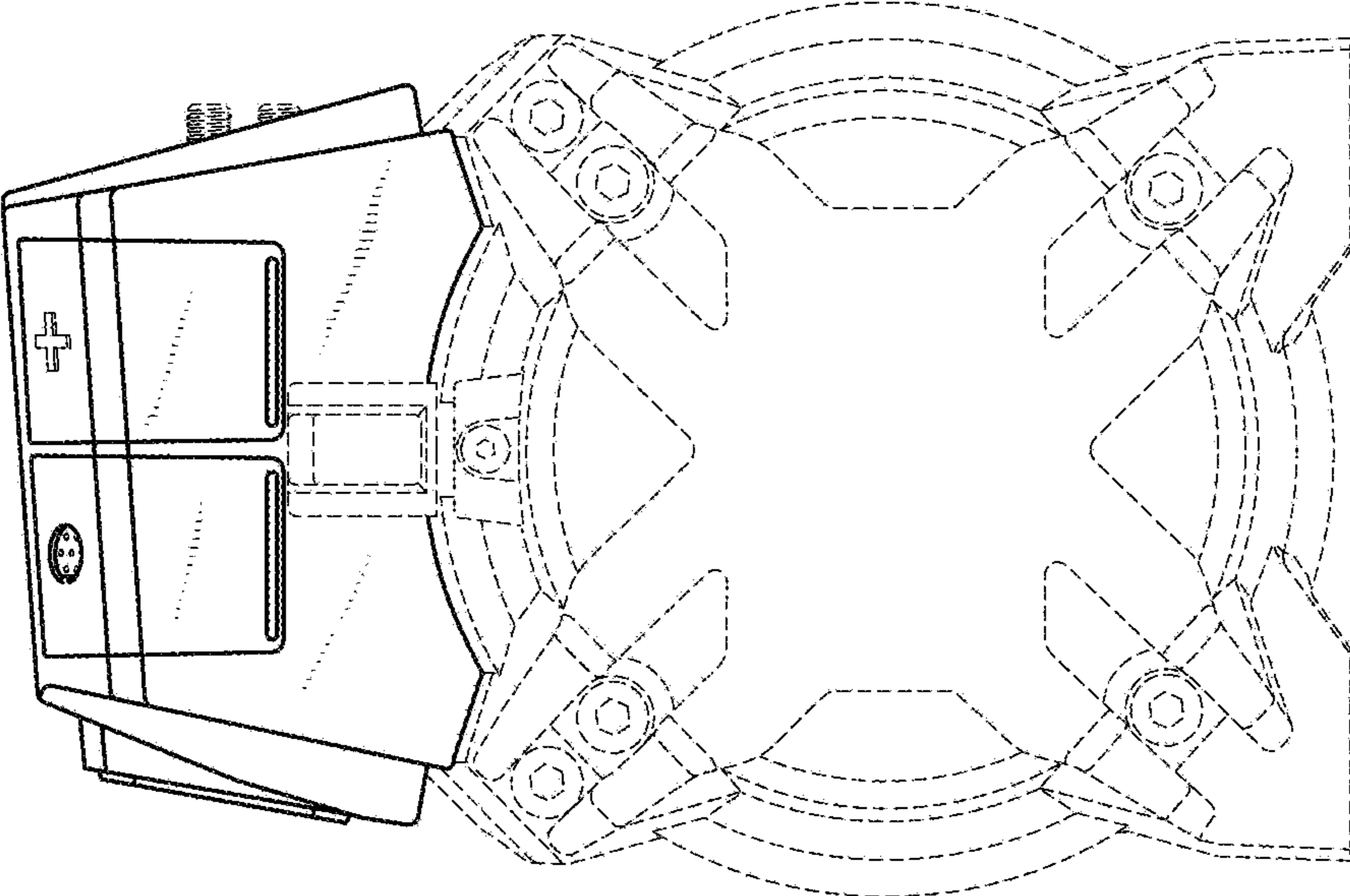


FIG. 4

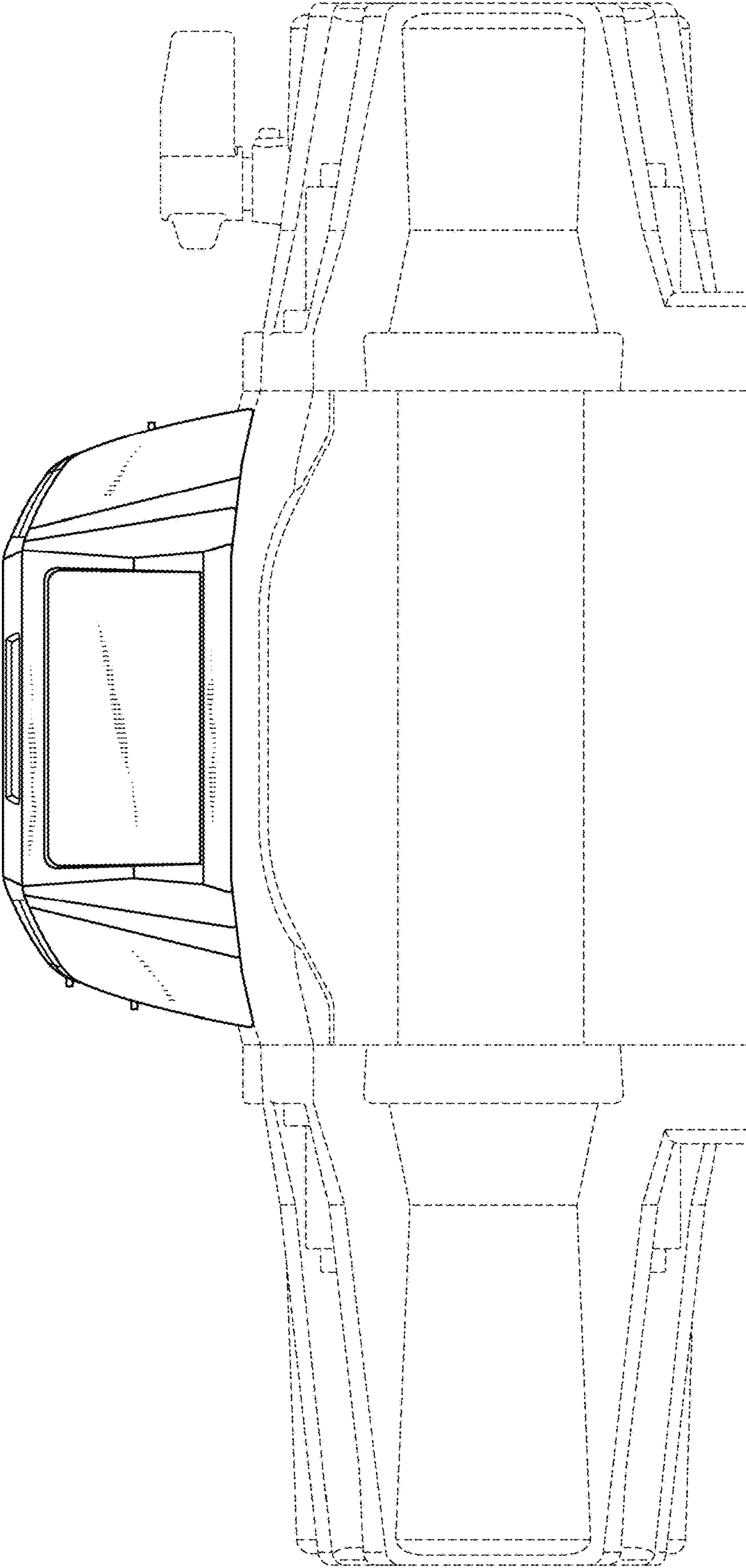


FIG. 5

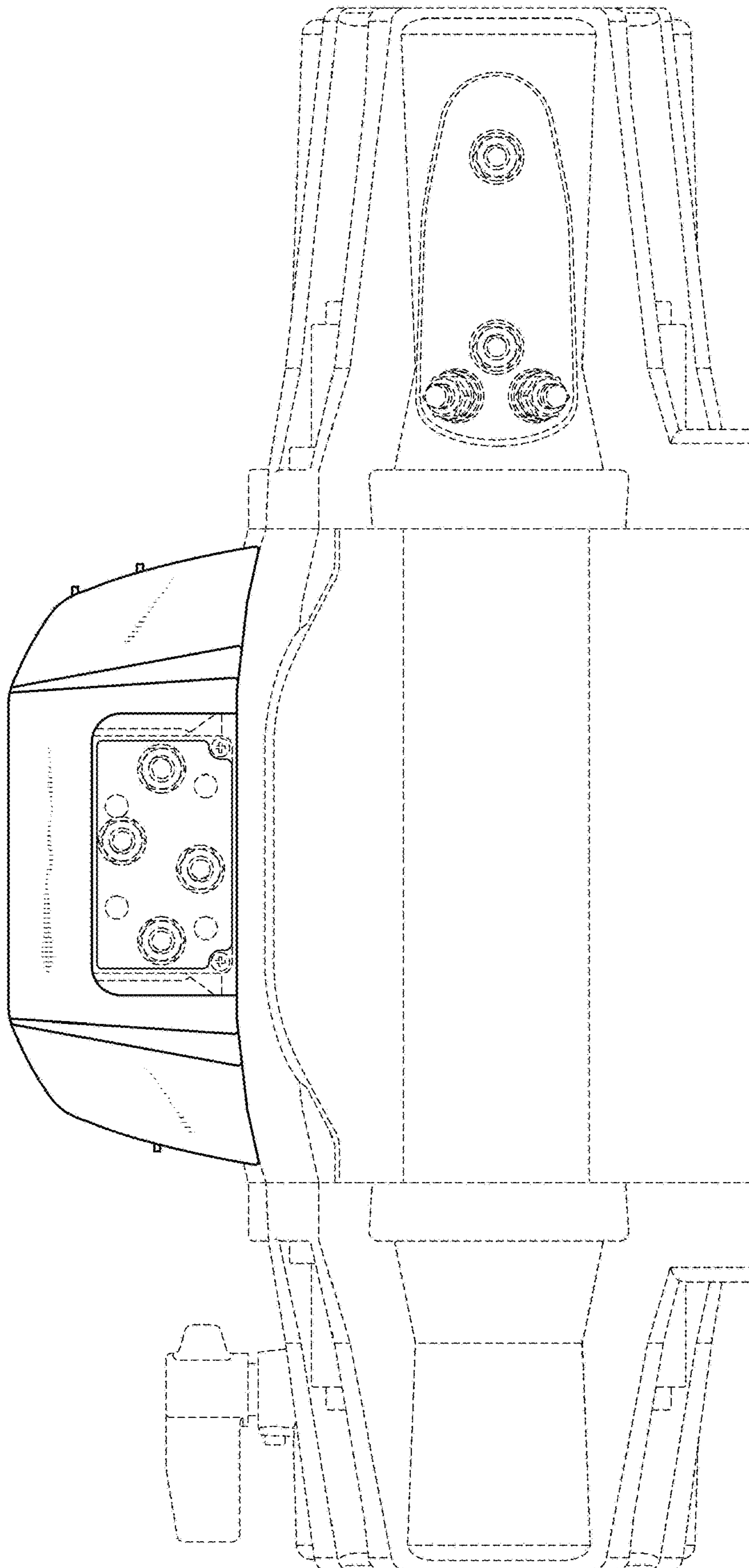


FIG. 6

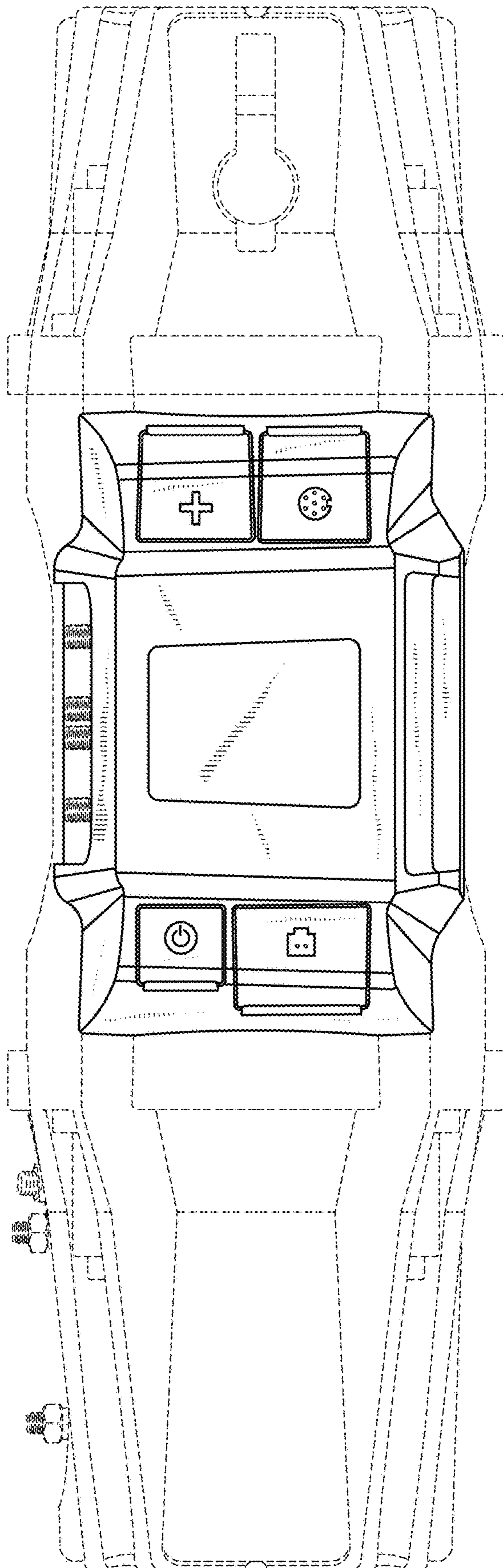


FIG. 7

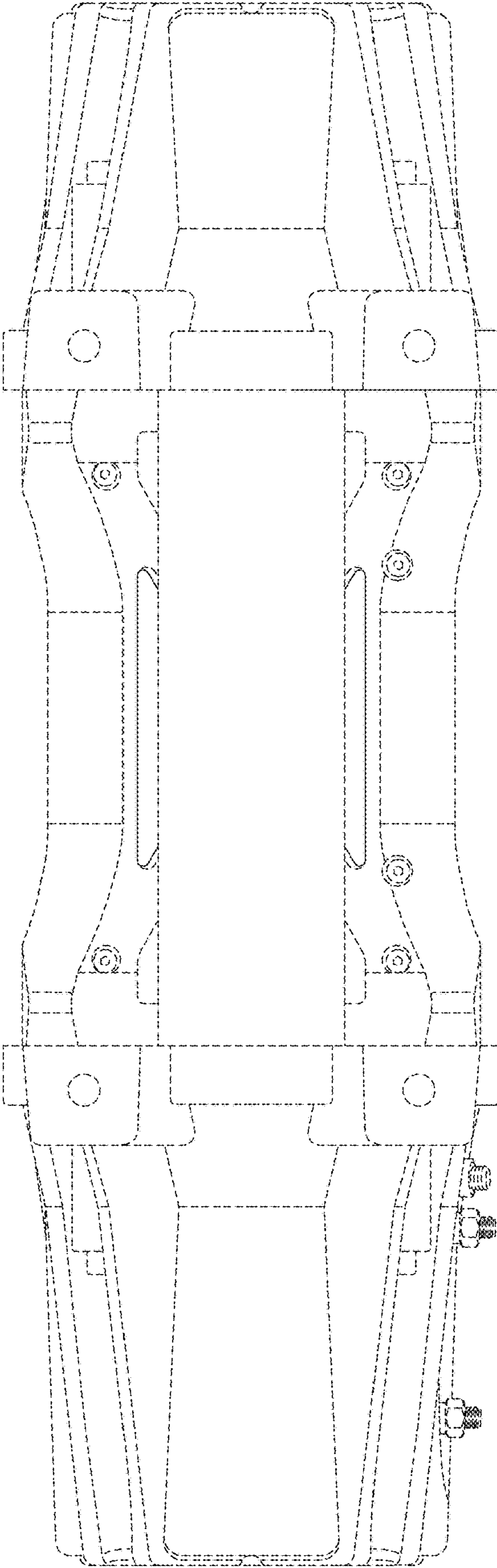


FIG. 8