



US00D987222S

(12) **United States Design Patent** (10) **Patent No.:** **US D987,222 S**  
**Yao** (45) **Date of Patent:** **\*\* May 23, 2023**

(54) **DISH RACK**

FOREIGN PATENT DOCUMENTS

(71) Applicant: **Bingyao Yao**, Dongguan (CN)  
(72) Inventor: **Bingyao Yao**, Dongguan (CN)  
(\*\*) Term: **15 Years**

KR 101502158 B1 \* 3/2015 ..... A47L 19/003  
KR 20170055803 A \* 5/2020 ..... A47L 19/04  
KR 20210001601 U \* 7/2021 ..... A47L 19/04  
KR 20220061653 A \* 5/2022 ..... A47L 19/04  
KR 20220146238 A \* 11/2022 ..... A47L 19/04

(21) Appl. No.: **29/882,917**

OTHER PUBLICATIONS

(22) Filed: **Jan. 20, 2023**

Amazon.com Gillas Dish Drying Rack for Small Kitchen Counter(May 4, 2022) [https://www.amazon.com/GILLAS-Kitchen-Counter-Drainboard-Rust-Proof/dp/B09ZHK3RVD/ref=sr\\_1\\_57](https://www.amazon.com/GILLAS-Kitchen-Counter-Drainboard-Rust-Proof/dp/B09ZHK3RVD/ref=sr_1_57) (Year: 2022).\*  
Amazon.com daooap Dish Drying Rack (Oct. 31, 2022) [https://www.amazon.com/dp/B0BKZYW568/ref=sspa\\_dk\\_detail\\_1](https://www.amazon.com/dp/B0BKZYW568/ref=sspa_dk_detail_1) (Year: 2022).\*

(51) **LOC (14) Cl.** ..... **07-05**

(52) **U.S. Cl.**  
USPC ..... **D32/55**

(58) **Field of Classification Search**  
USPC ..... D6/525, 526, 630, 672; D30/133;  
D32/55-59  
CPC ..... A47L 19/00; A47L 19/02; A47L 17/00;  
A47L 17/04; A47J 2201/00; A47J 47/20;  
A47J 47/00; B65D 35/02; B65D 35/22;  
B65D 35/55

See application file for complete search history.

\* cited by examiner

*Primary Examiner* — Kevin K Rudzinski  
*Assistant Examiner* — Richard E Yenchesky  
(74) *Attorney, Agent, or Firm* — Rumit Ranjit Kanakia

(56) **References Cited**

(57) **CLAIM**

The ornamental design for a dish rack, as shown and described.

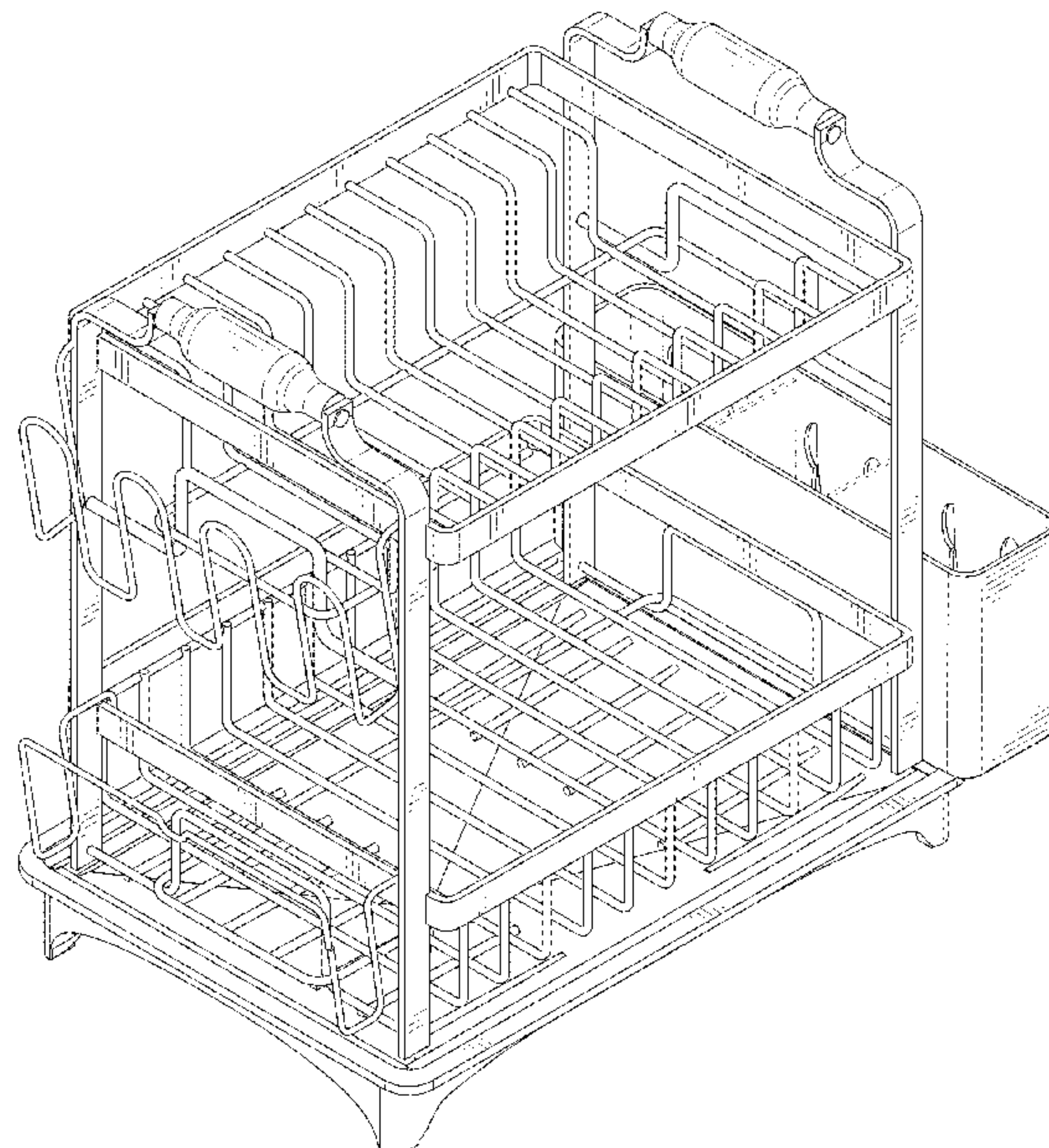
U.S. PATENT DOCUMENTS

**DESCRIPTION**

D326,946 S \* 6/1992 Szuster ..... D6/675.2  
D556,475 S \* 12/2007 Butler ..... D6/708.16  
D630,397 S \* 1/2011 Molayem ..... D6/678.4  
D899,722 S \* 10/2020 Yang ..... D32/55  
D919,218 S 5/2021 Asis  
D925,852 S 7/2021 XiangZe  
D928,442 S \* 8/2021 Zhan ..... D32/55  
D930,930 S \* 9/2021 Tan ..... D32/55  
D939,167 S \* 12/2021 Fan ..... D32/55  
D950,877 S 5/2022 Tuang  
D952,977 S \* 5/2022 Li ..... D32/55  
D964,681 S \* 9/2022 Zhou ..... D32/55  
D970,840 S \* 11/2022 Xu ..... D32/55  
D970,841 S \* 11/2022 Hu ..... D32/55  
2016/0249783 A1 \* 9/2016 Oh ..... A47L 19/04  
211/41.4

FIG. 1 is a first perspective view of a dish rack showing my new design;  
FIG. 2 is a second perspective view thereof;  
FIG. 3 is a front view thereof;  
FIG. 4 is a back view thereof;  
FIG. 5 is a left side view thereof;  
FIG. 6 is a right side view thereof;  
FIG. 7 is a top view thereof; and,  
FIG. 8 is a bottom view thereof.  
The broken lines shown in the drawings depict portions of the dish rack that form no part of the claimed design.

**1 Claim, 8 Drawing Sheets**





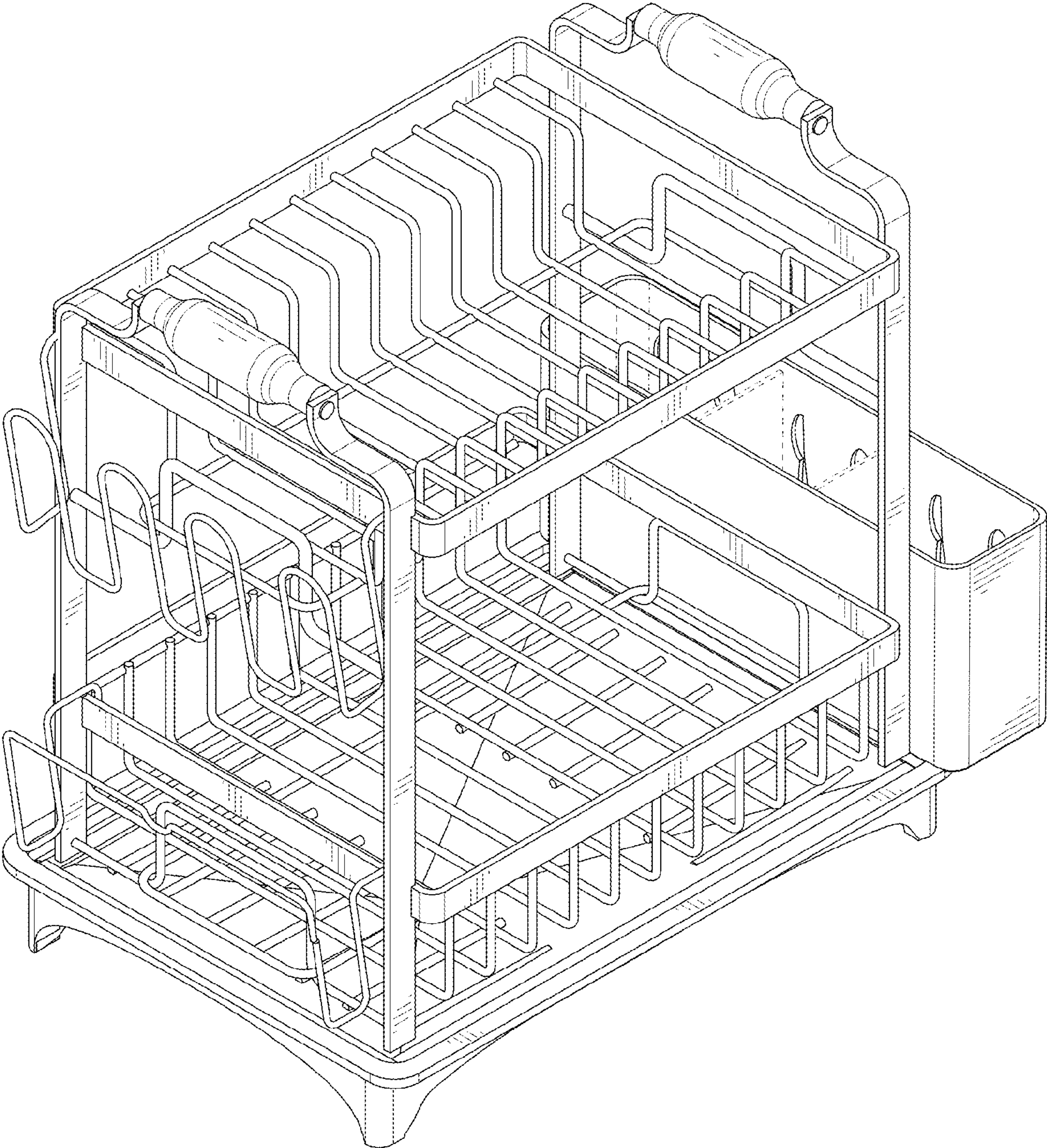


FIG. 1

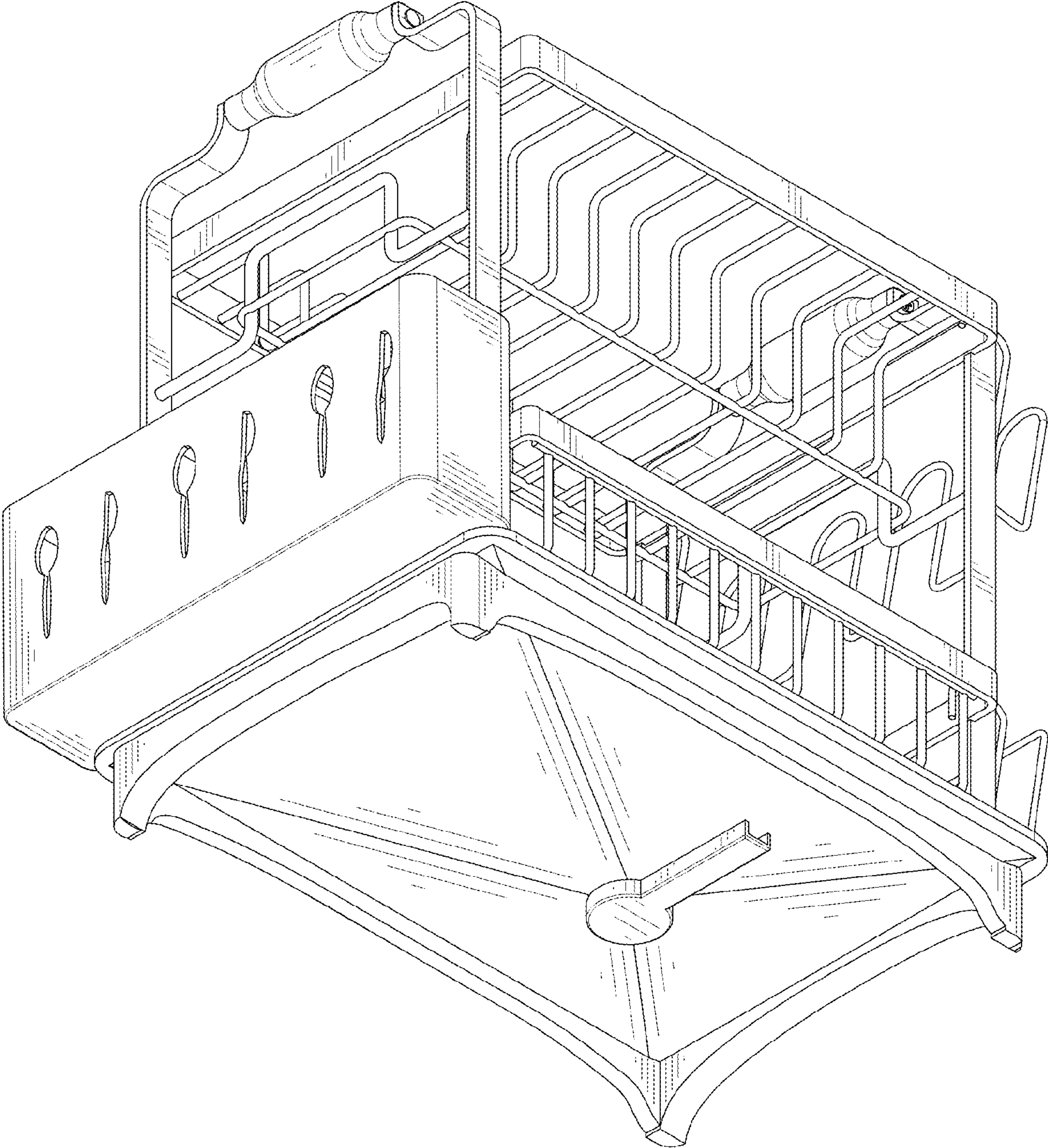


FIG. 2



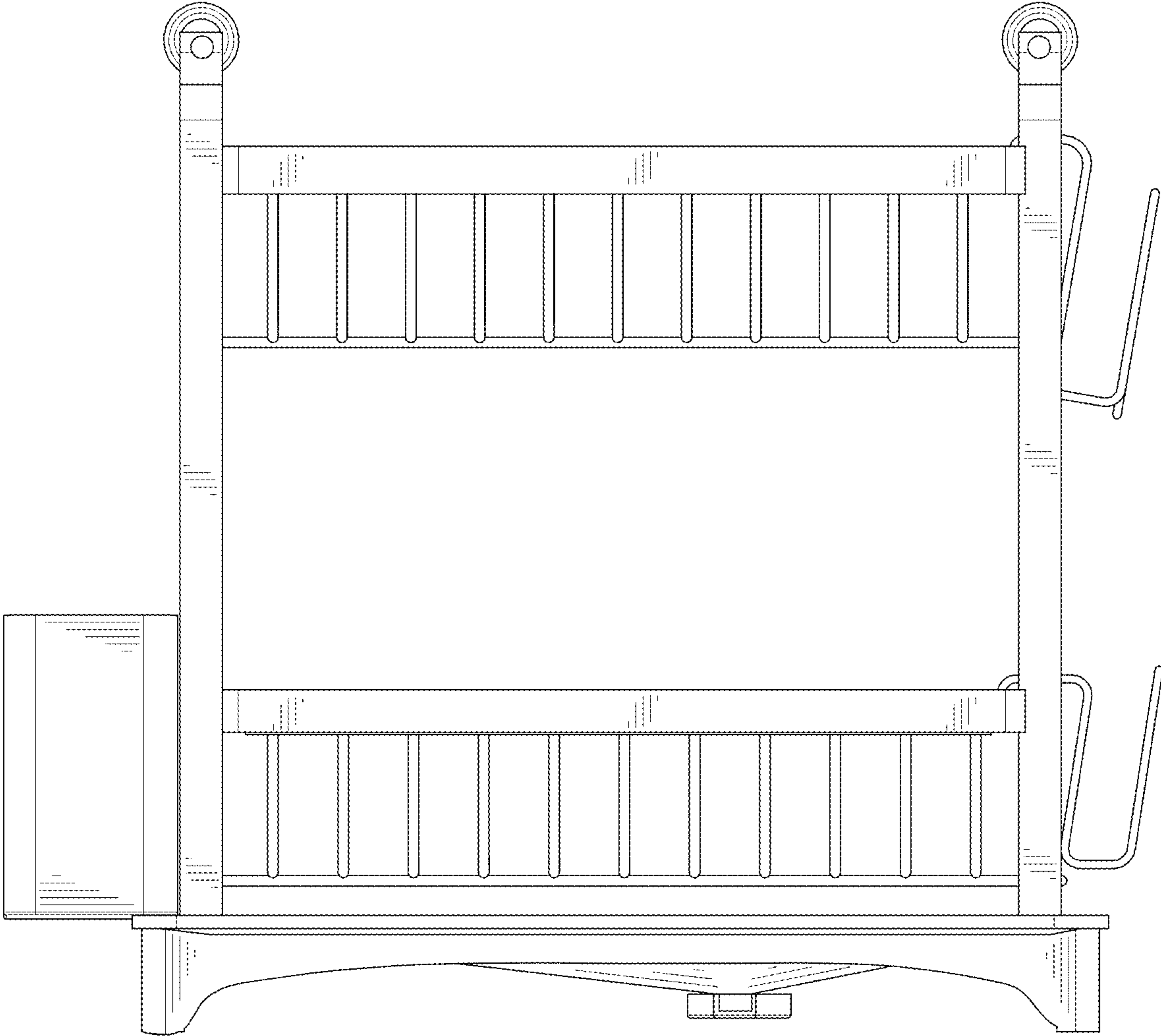


FIG. 3

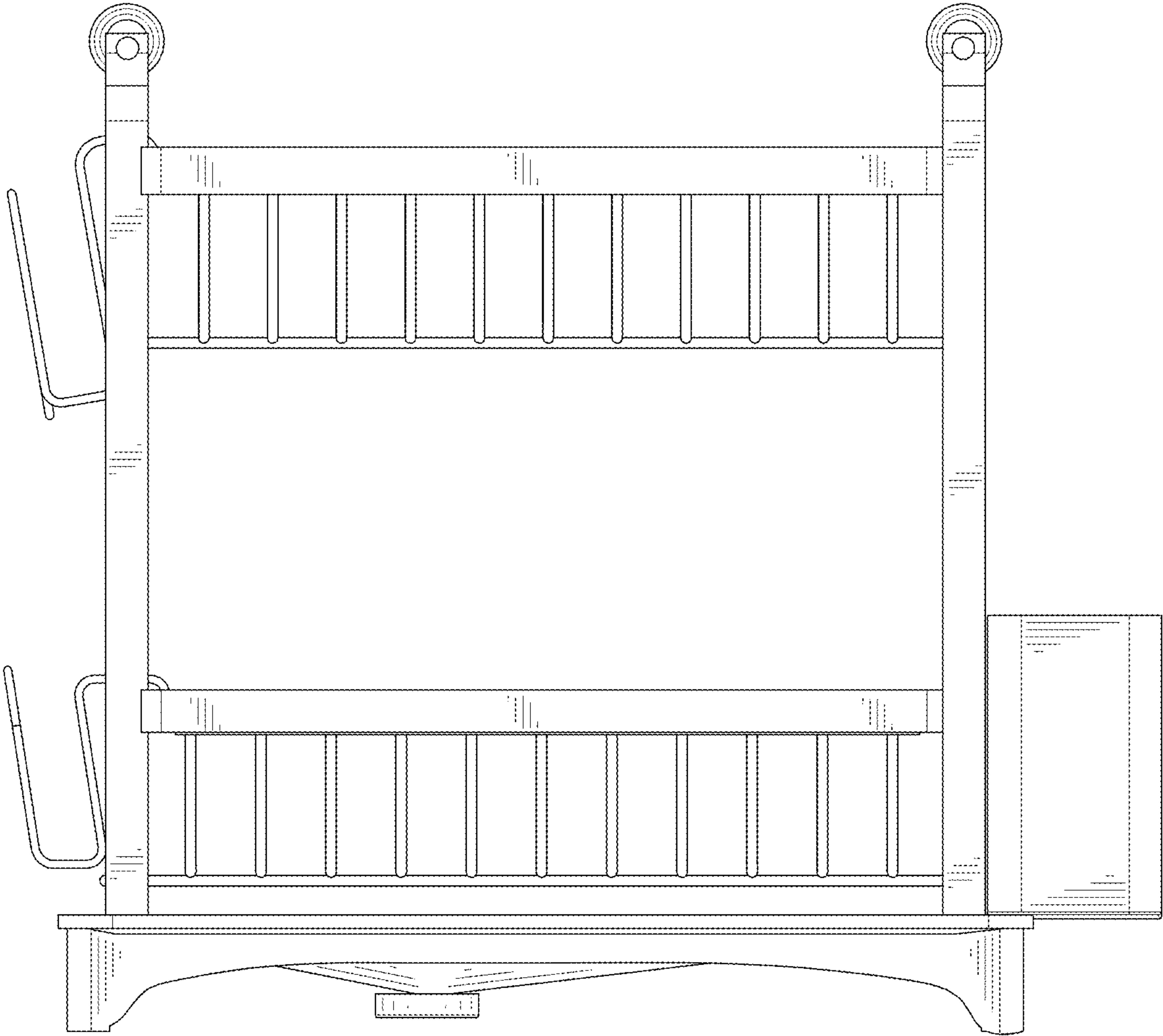


FIG. 4

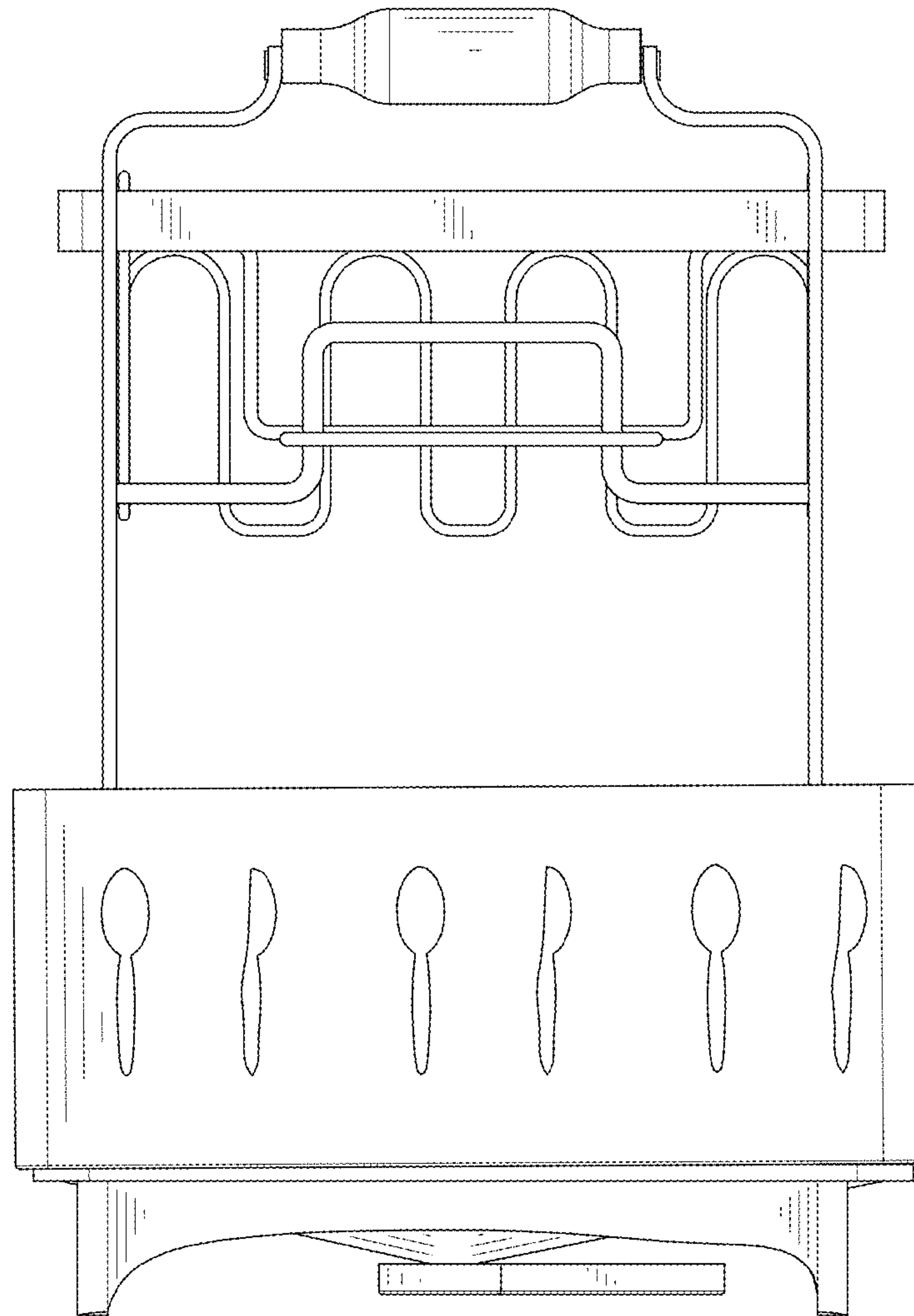


FIG. 5

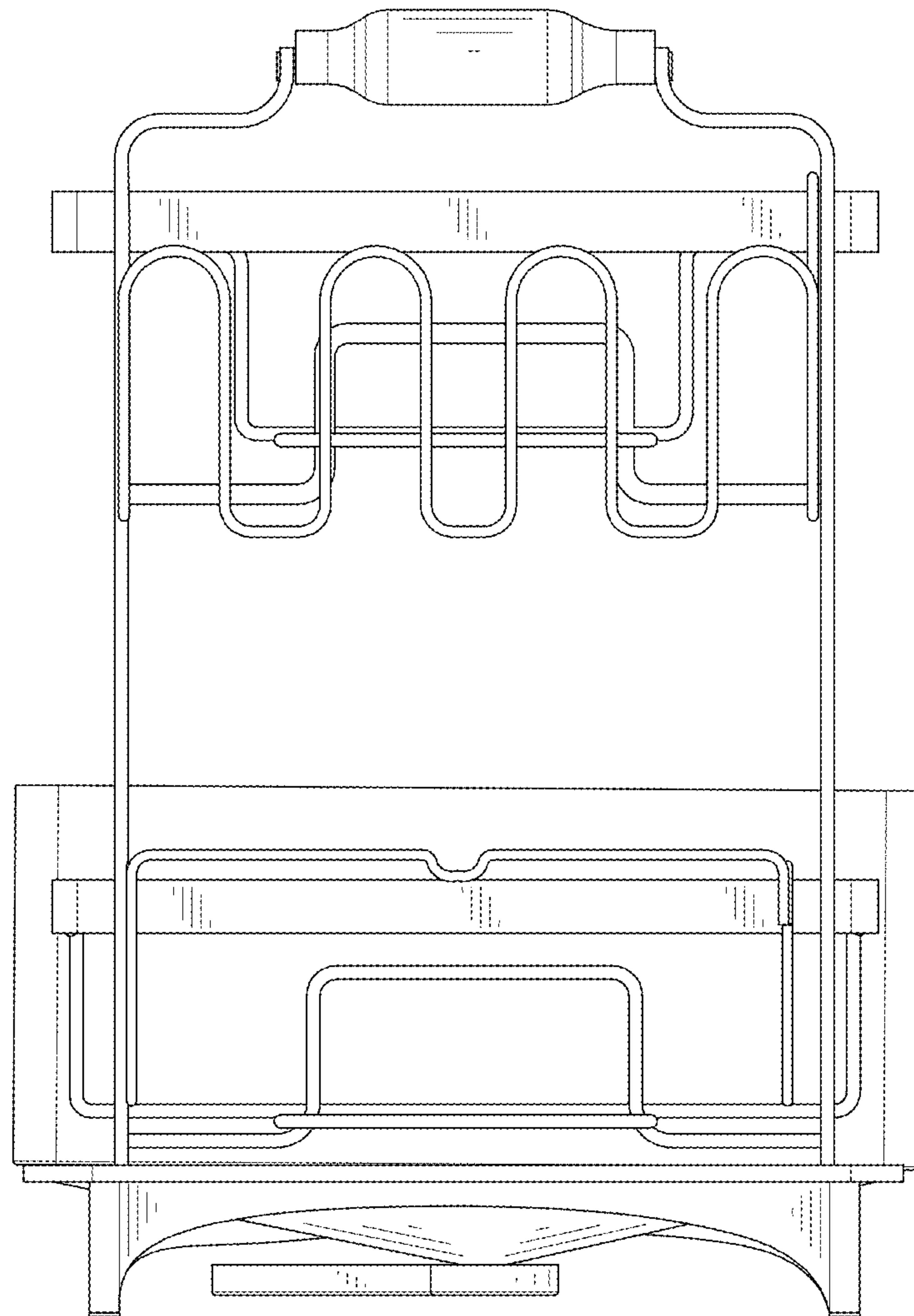


FIG. 6

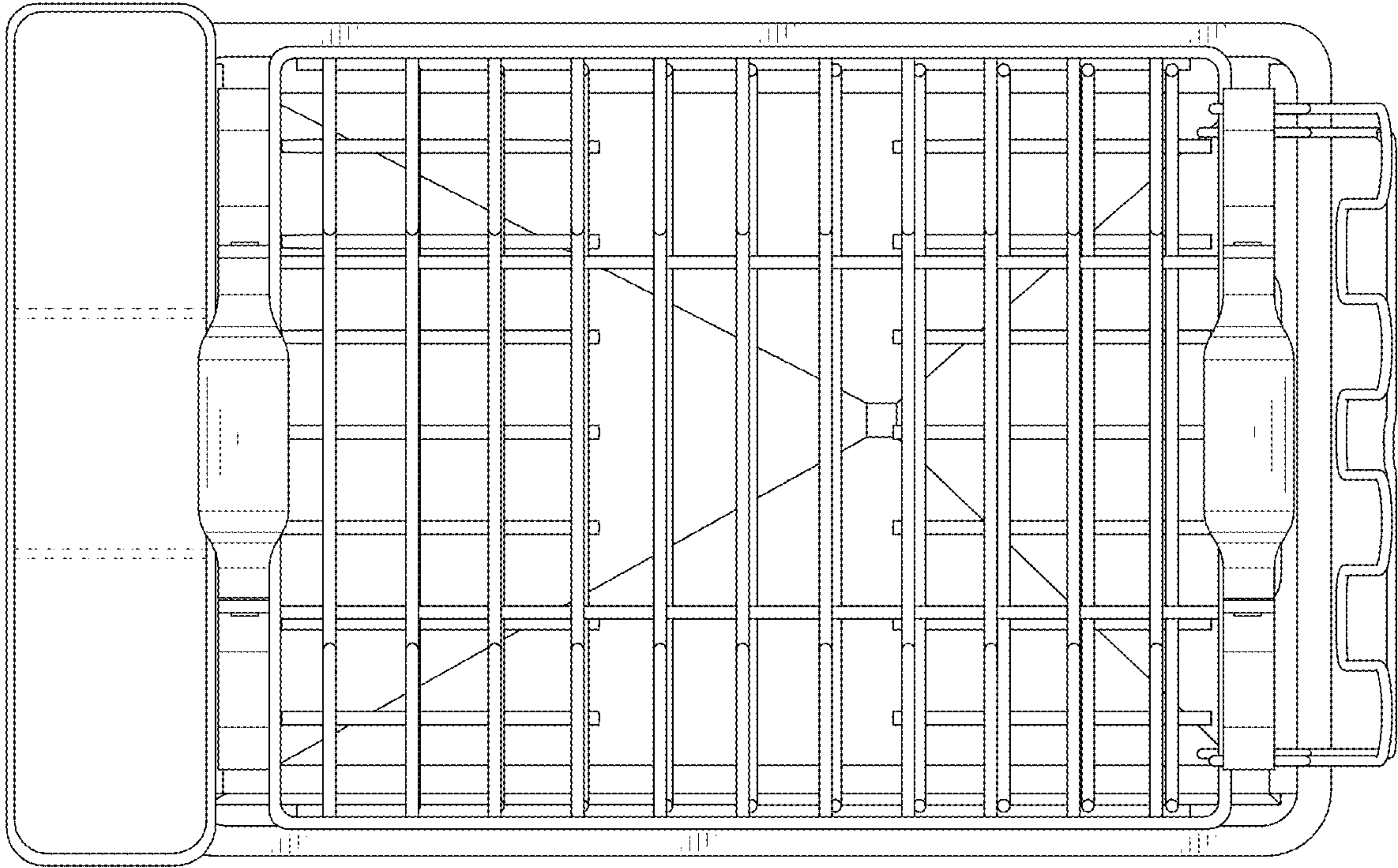


FIG. 7



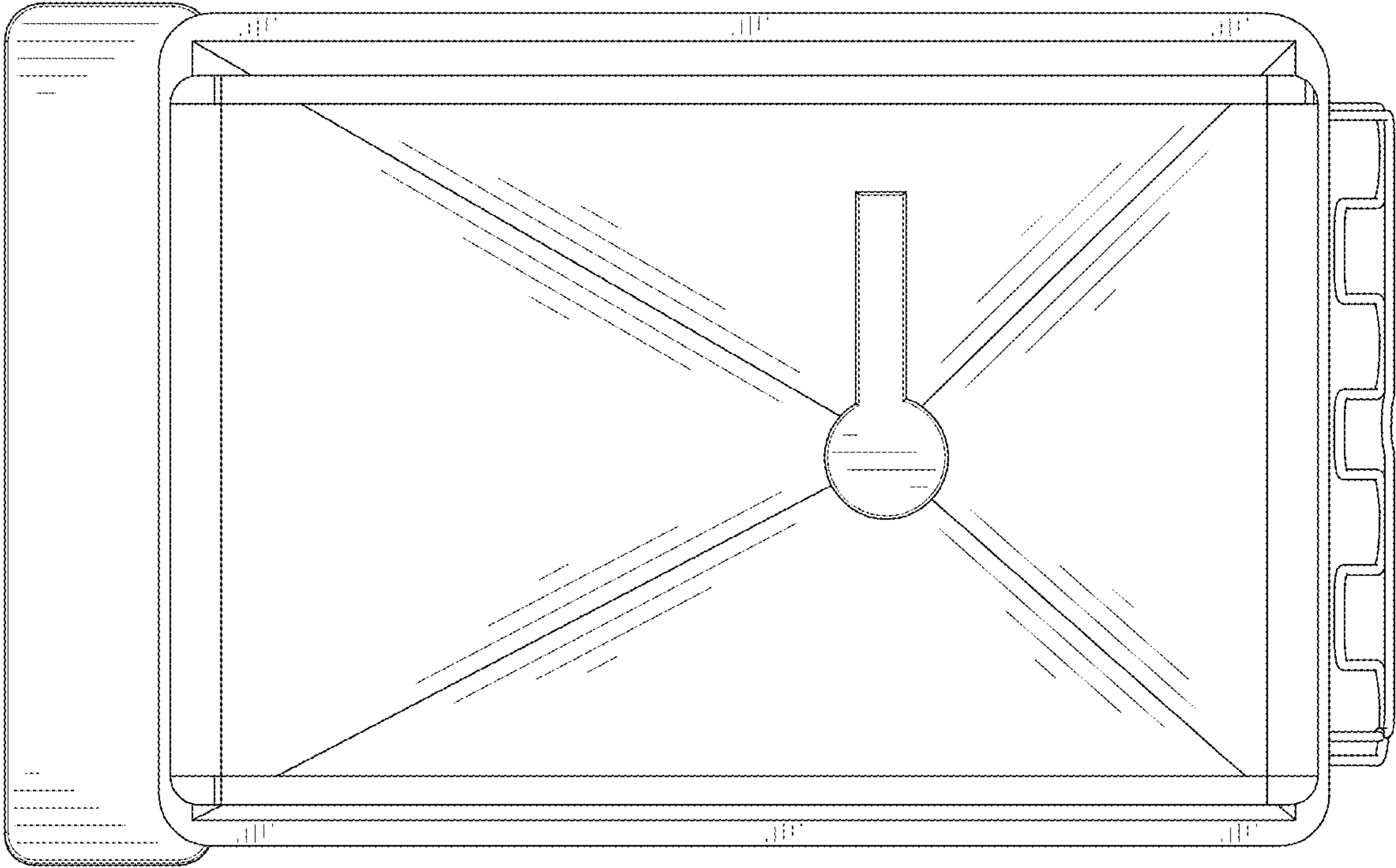


FIG. 8