



US00D987219S

(12) **United States Design Patent** (10) **Patent No.:** **US D987,219 S**
Wu (45) **Date of Patent:** **** May 23, 2023**

- (54) **VACUUM CLEANER HOSE**
- (71) Applicant: **Feng Wu**, Wenchang (CN)
- (72) Inventor: **Feng Wu**, Wenchang (CN)
- (**) Term: **15 Years**
- (21) Appl. No.: **29/769,931**
- (22) Filed: **Feb. 8, 2021**
- (51) **LOC (14) Cl.** **15-05**
- (52) **U.S. Cl.**
USPC **D32/31**
- (58) **Field of Classification Search**
USPC D32/15, 17-24, 31-34
CPC A47L 5/24; A47L 7/0076; A47L 11/04;
A47L 11/22; A47L 5/28; A47L 9/106;
A47L 11/30; A47L 11/4005; A47L 9/24;
A47L 9/242; A47L 9/244; A47L 9/246;
A47L 9/248; B04C 5/185; E04H 4/1636
See application file for complete search history.

D888,357 S * 6/2020 Bond D32/31
 10,849,475 B1 * 12/2020 Williamson A47L 9/06
 D915,016 S * 3/2021 Zhou D32/32
 (Continued)

OTHER PUBLICATIONS

Hurricane Lint Lizard Vacuum Hose Attachment (on-line), date first available Jan. 4, 2018. Retrieved from Internet Apr. 27, 2022, URL: https://www.amazon.com/Hurricane-Official-Attachment-BulbHead-Appliance/dp/B078SYSRDJ/ref=sr_1_3_mod_primary_new?gclid=EAAlQobChMI-%E2%80%A61/11 (5 pages) (Year: 2018).*

Primary Examiner — Kimberly Barnes

(57) **CLAIM**

The ornamental design for a vacuum cleaner hose, as shown and described.

DESCRIPTION

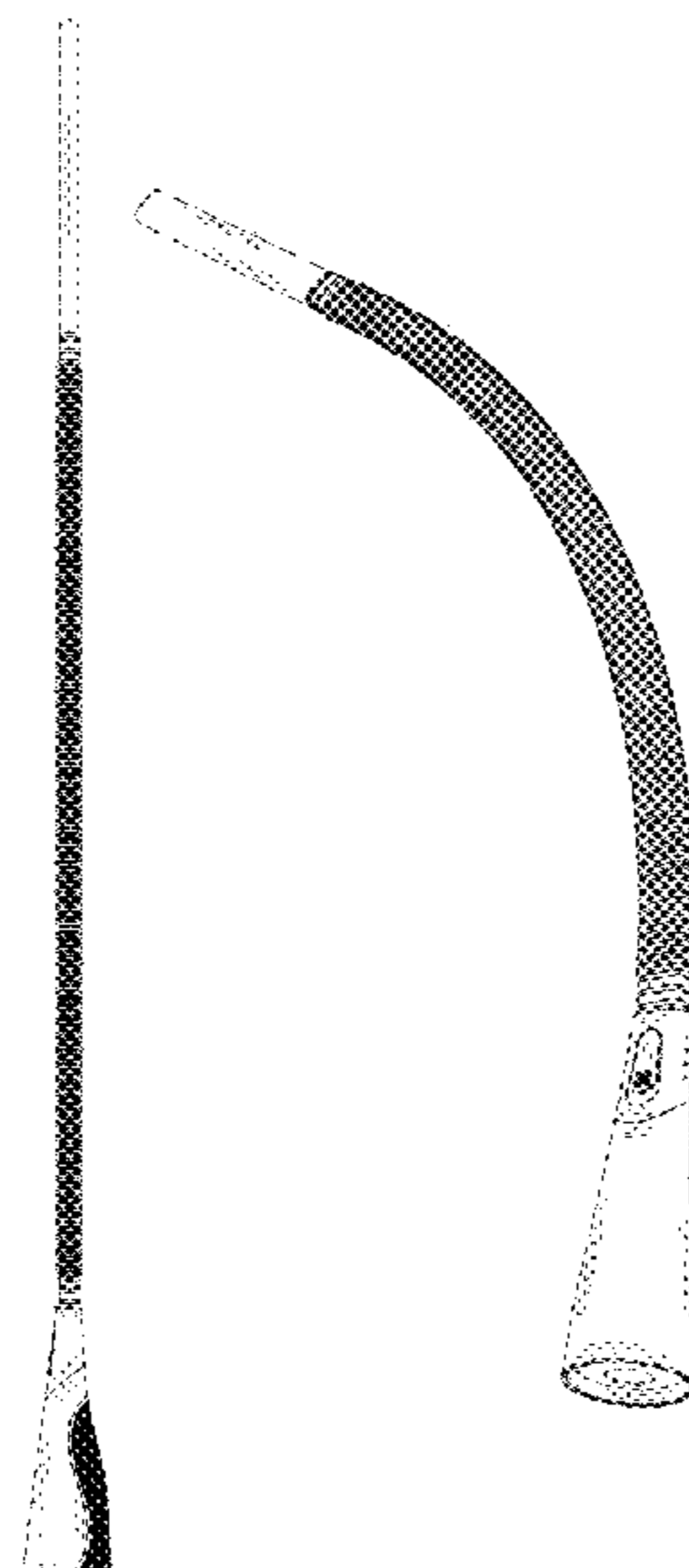
FIG. 1 is a perspective view of a vacuum cleaner hose showing my new design;
 FIG. 2 is a front elevation view thereof;
 FIG. 3 is a rear elevation view thereof;
 FIG. 4 is a left side elevation view thereof;
 FIG. 5 is a right side elevation view thereof;
 FIG. 6 is a top plan view thereof;
 FIG. 7 is a bottom plan view thereof;
 FIG. 8 is another perspective view thereof, showing the vacuum cleaner hose in a curved state;
 FIG. 9 is another perspective view showing the separated state of vacuum cleaner hose;
 FIG. 10 is another perspective view showing the separated state of vacuum cleaner hose with the hose portion in a curved state;
 FIG. 11 is an enlarged view of the vacuum cleaner hose taken from the circle part in FIG. 2; and,
 FIG. 12 is an enlarged view of the vacuum cleaner hose taken from the circle part in FIG. 3.
 The broken lines in the figures depict portions of the vacuum cleaner hose that form no part of the claimed design.

1 Claim, 12 Drawing Sheets

(56) **References Cited**

U.S. PATENT DOCUMENTS

- 5,983,443 A * 11/1999 Redding A47L 9/30
15/377
- 6,044,521 A * 4/2000 Sebek A47L 9/02
15/422
- 7,418,763 B2 * 9/2008 Shaver A47L 7/04
417/423.2
- D681,894 S * 5/2013 Wu D32/31
- 8,650,704 B2 * 2/2014 Sunderland A47L 9/242
15/327.2
- D796,135 S * 8/2017 Yoon D32/32
- D804,754 S * 12/2017 Washington D32/31
- D805,267 S * 12/2017 Maune D32/31
- D806,963 S * 1/2018 Nam D32/23
- D811,673 S * 2/2018 Nam D32/23
- 9,955,838 B2 * 5/2018 Millington A47L 9/24
- D861,267 S * 9/2019 Chavana, Jr. D32/22



(56)

References Cited

U.S. PATENT DOCUMENTS

D923,270 S * 6/2021 Rajasekaran D32/19
11,064,854 B2 * 7/2021 Downing A47L 9/248
D948,824 S * 4/2022 Wu D32/33

* cited by examiner

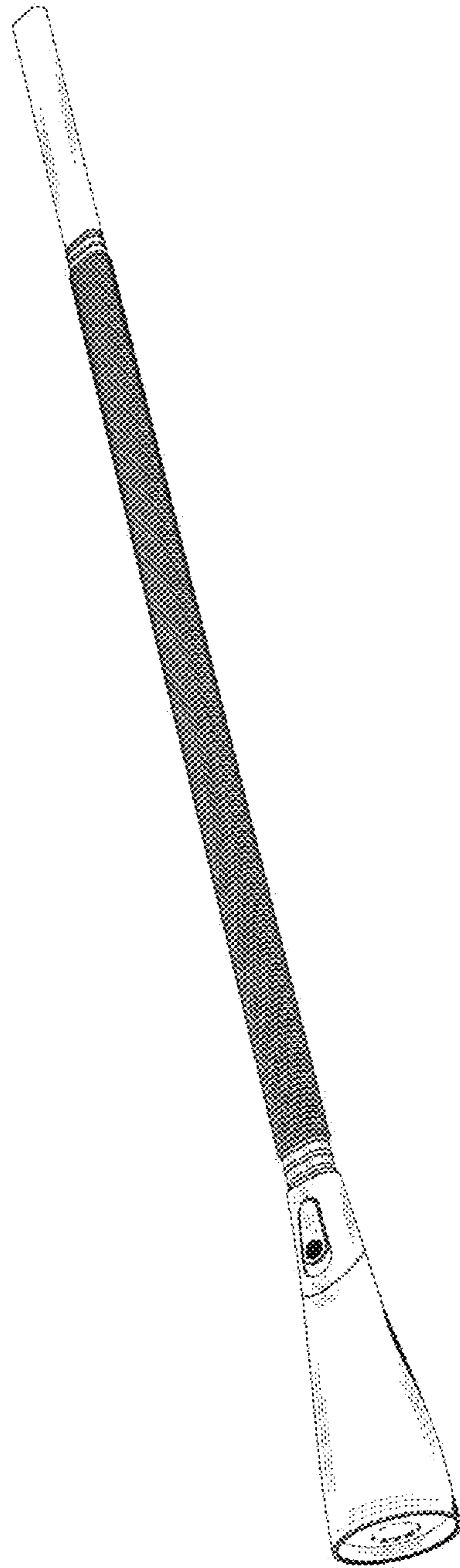


FIG. 1

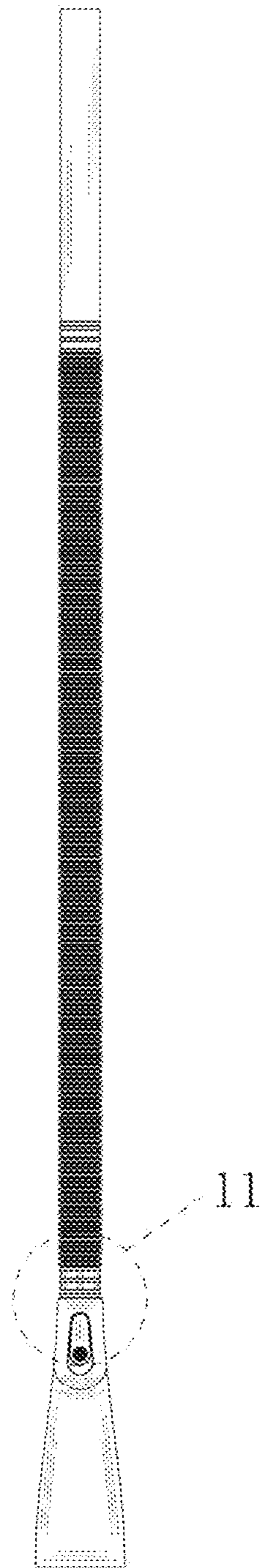


FIG. 2

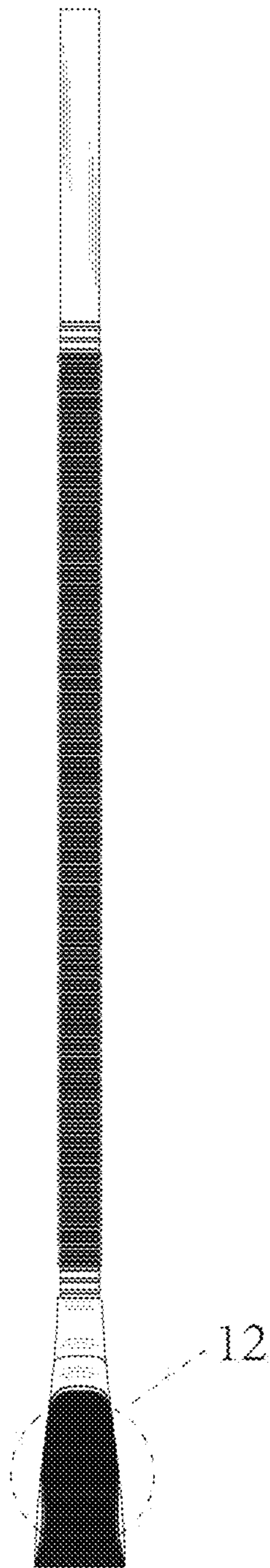


FIG. 3

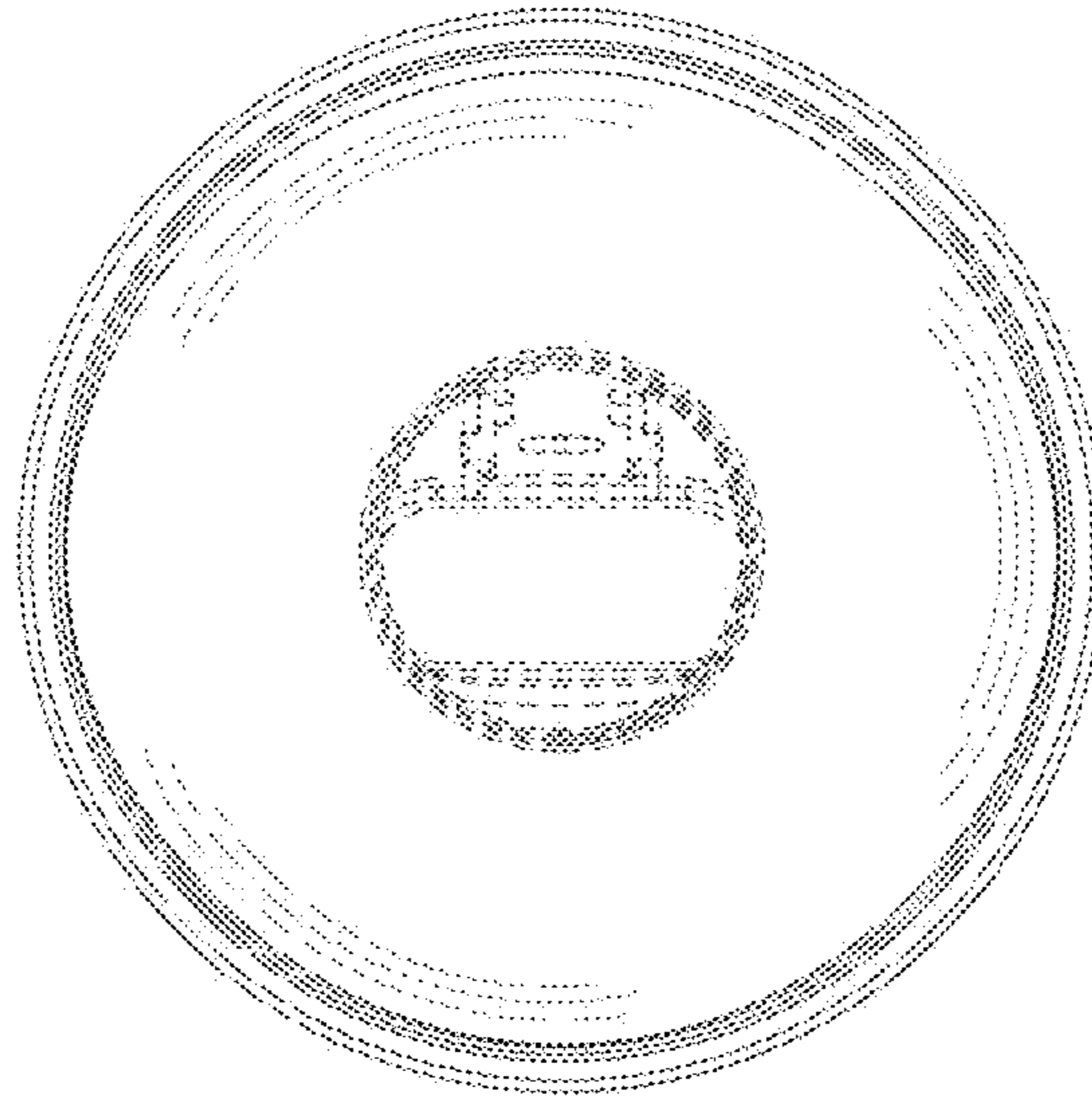


FIG. 4

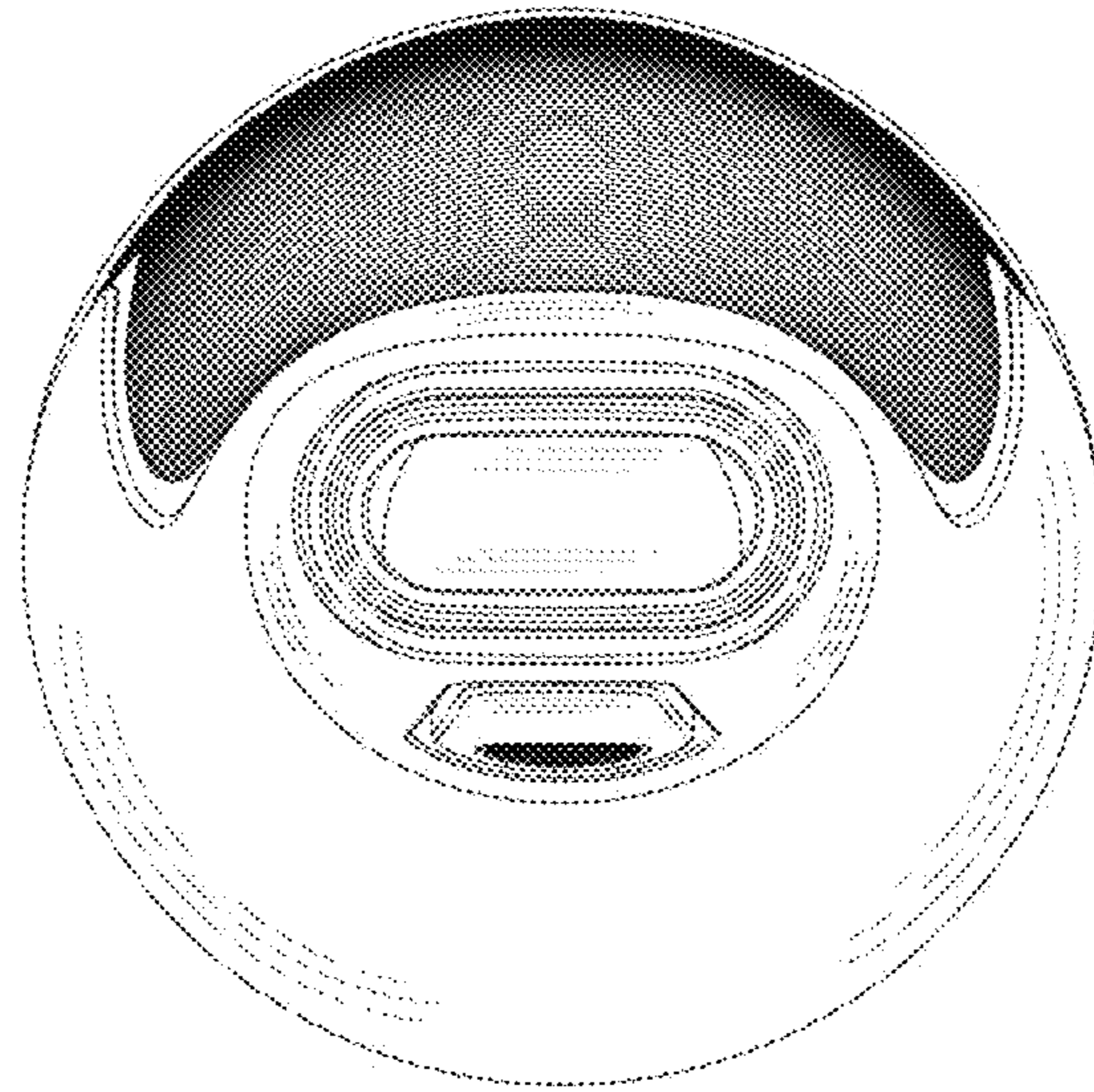


FIG. 5

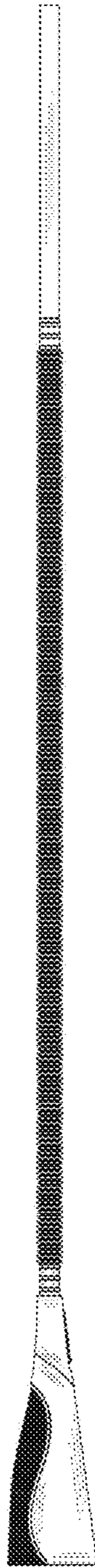


FIG. 6

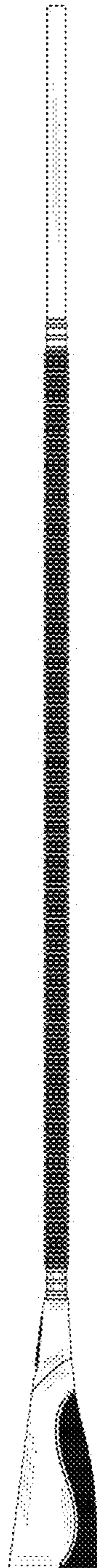


FIG. 7

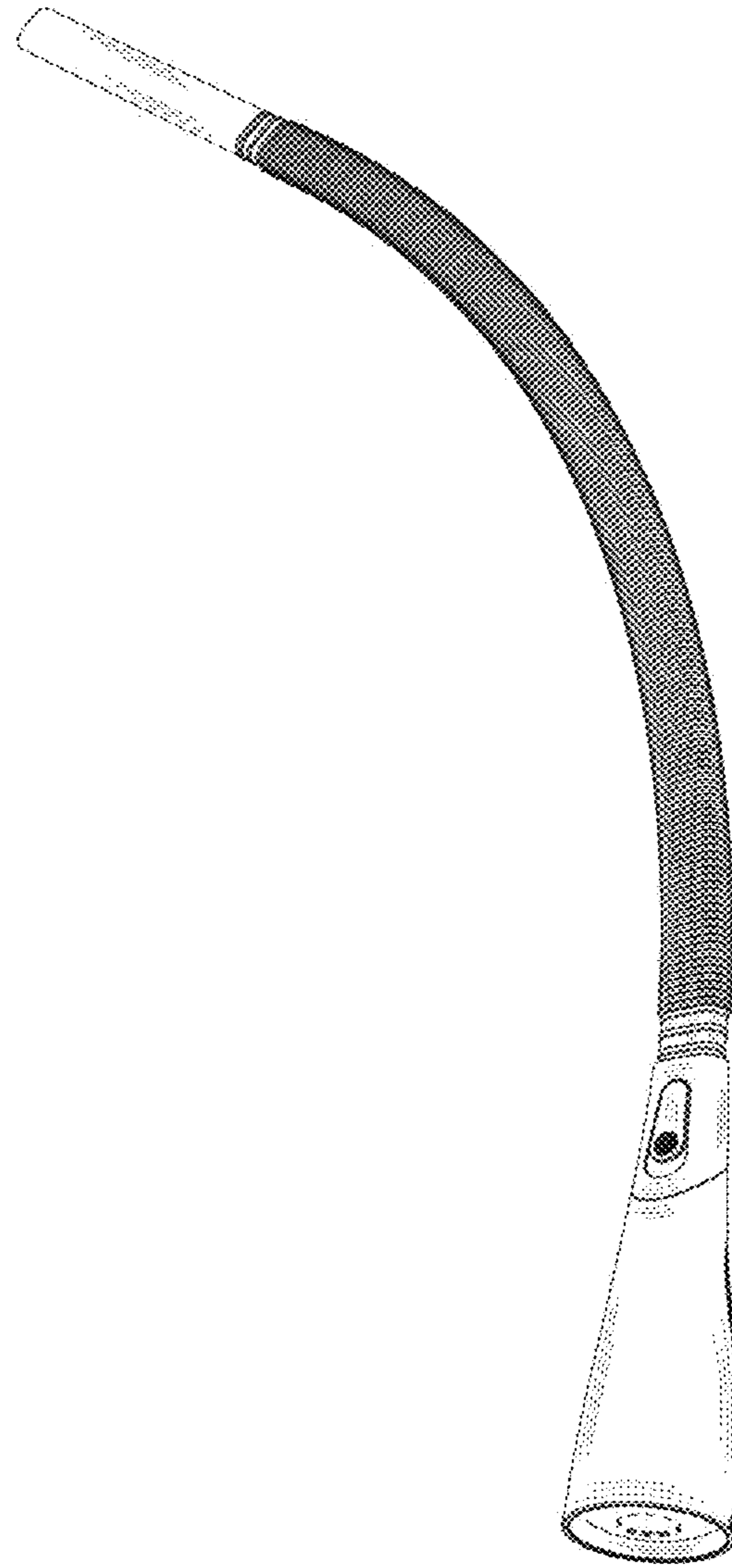


FIG. 8

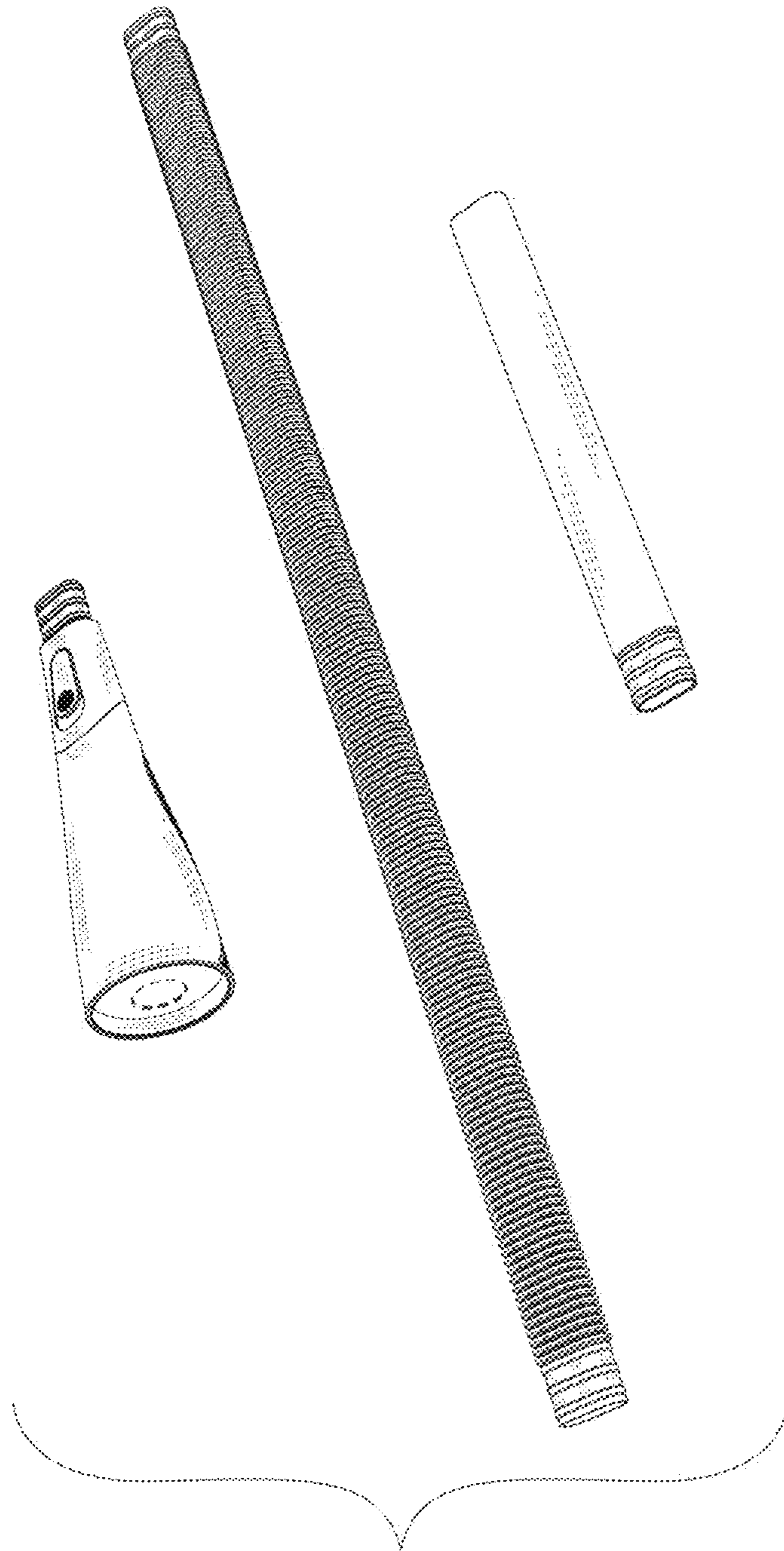


FIG. 9

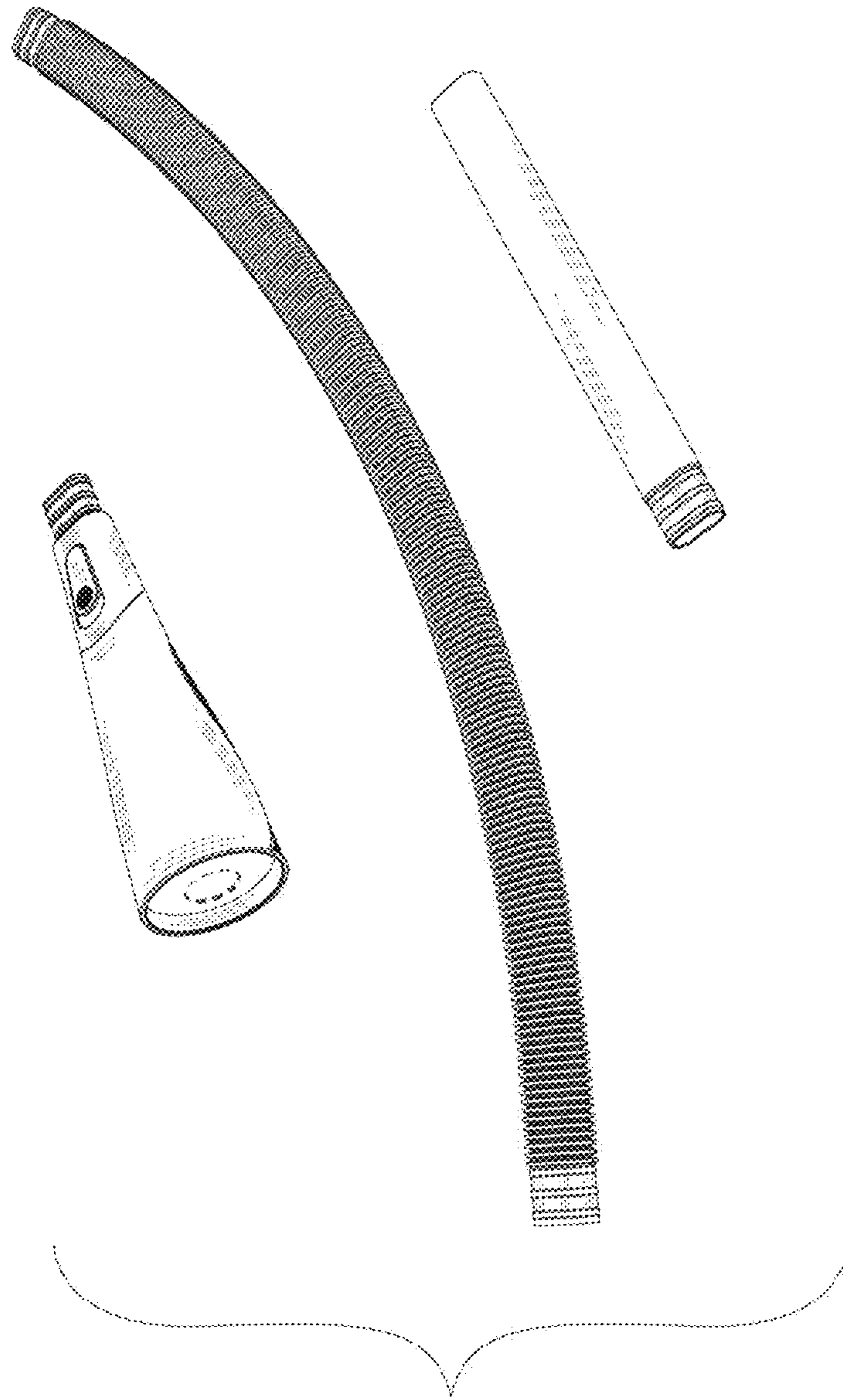


FIG. 10

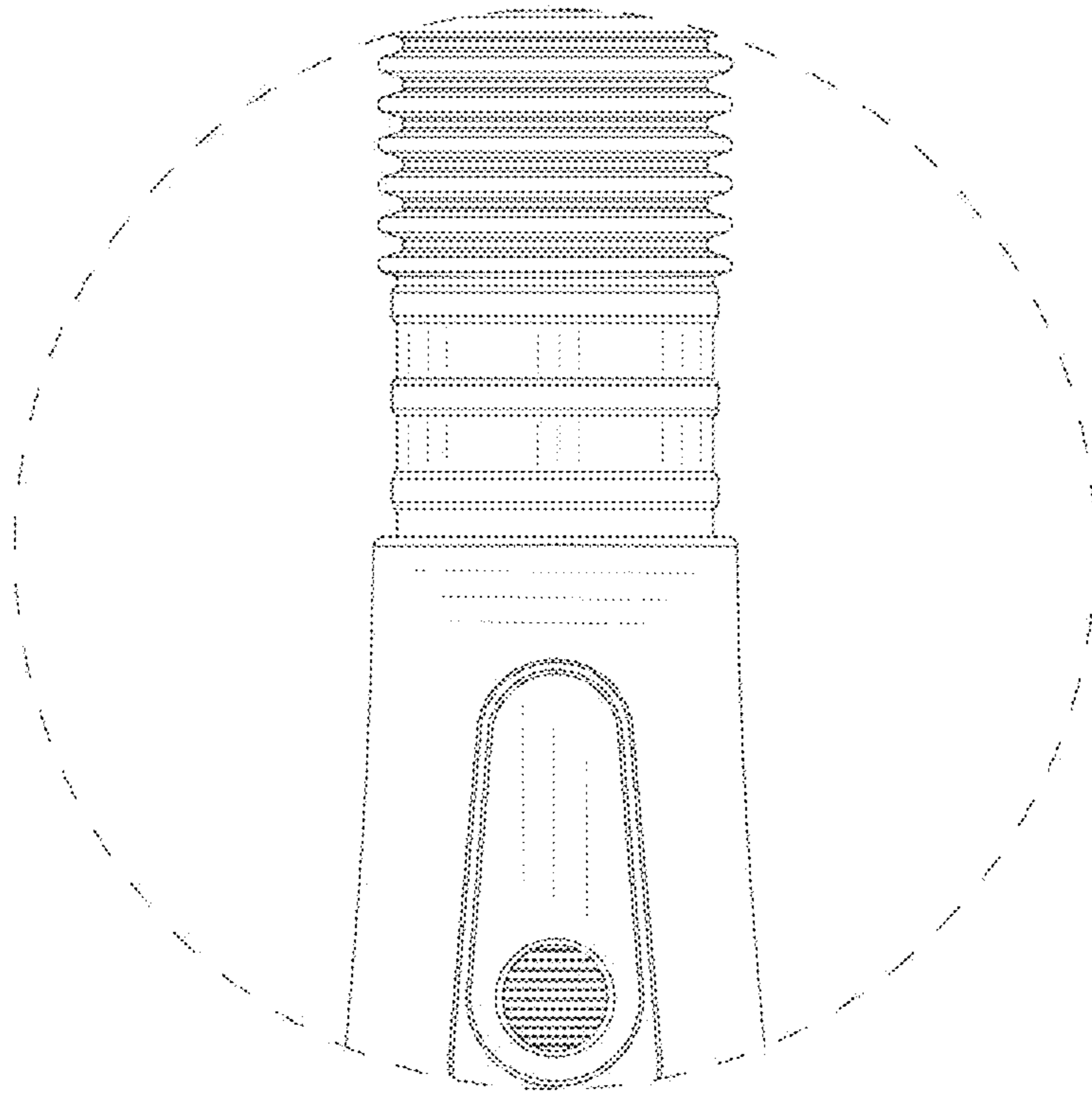


FIG. 11

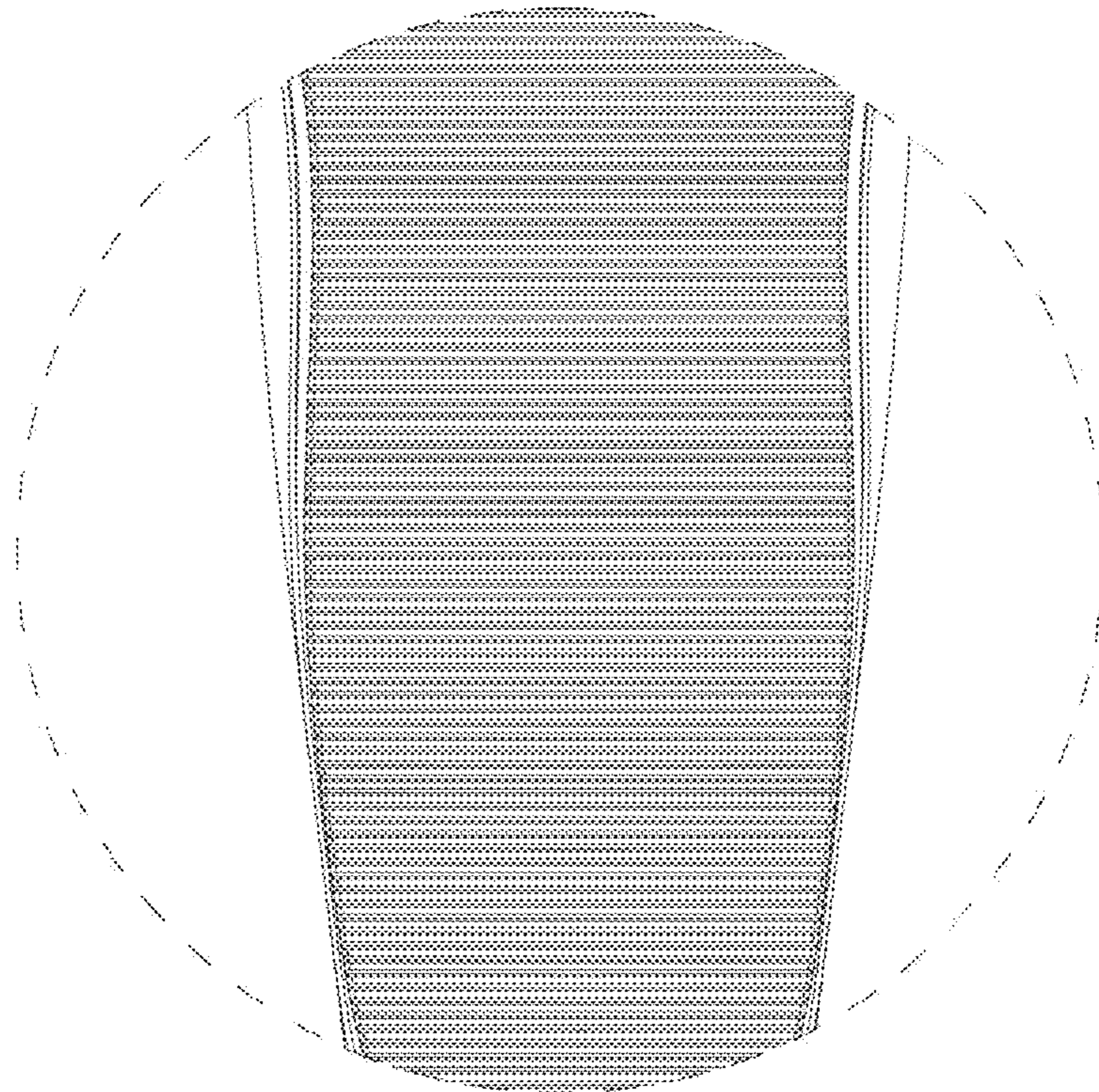


FIG. 12