



US00D987218S

(12) **United States Design Patent** (10) **Patent No.:** **US D987,218 S**  
**Liu** (45) **Date of Patent:** **\*\* May 23, 2023**

(54) **VACUUM CLEANER**

(71) Applicant: **Shenzhen Shouzheng Chuqi Technology Co., Ltd.**, Shenzhen (CN)

(72) Inventor: **Shuangyin Liu**, Shenzhen (CN)

(\*\*) Term: **15 Years**

(21) Appl. No.: **29/886,172**

(22) Filed: **Mar. 6, 2023**

(30) **Foreign Application Priority Data**

Dec. 2, 2022 (CN) ..... 202230807384.3

(51) **LOC (14) Cl.** ..... **30-10**

(52) **U.S. Cl.**  
USPC ..... **D32/18; D30/158**

(58) **Field of Classification Search**  
USPC ..... D32/17, 18, 21; D30/158  
CPC ..... B08B 3/00; B08B 5/00; B08B 2203/00;  
B08B 2205/00; B05B 3/00; A47L 5/24;  
A47L 5/26; A47L 5/367; A47L 7/0076;  
A47L 7/008; A47L 9/2857; A47L 9/1608;  
A47L 9/32; A47L 9/322; A47L 9/325;  
A47L 9/327

See application file for complete search history.

(56) **References Cited**

**U.S. PATENT DOCUMENTS**

D285,619 S *	9/1986	Nado	.....	D32/21
D312,517 S *	11/1990	Hohrein, II	.....	D32/23
D346,678 S *	5/1994	Burkhardt	.....	D32/21
D360,717 S *	7/1995	Martin	.....	D32/21
D444,924 S *	7/2001	Henning	.....	D32/18
D518,927 S *	4/2006	Rupp	.....	D32/21
D521,695 S *	5/2006	Jacobs	.....	D32/21
D596,814 S *	7/2009	Macleod	.....	D32/21
D664,726 S *	7/2012	McCarthy	.....	D32/18
D682,494 S *	5/2013	Kim	.....	D32/21
D808,097 S *	1/2018	Koyama	.....	D32/21
D825,121 S *	8/2018	Kahn	.....	D32/21
D926,399 S *	7/2021	Luo	.....	D32/21

(Continued)

**OTHER PUBLICATIONS**

Oneisall Dog grooming kit, professional grooming vacuum, site visited Mar. 22, 2023, [https://www.amazon.com/dp/B0BHYZV3HY?pd\\_rd\\_i=B0BHYZV3HY&pf\\_rd\\_p=b000e0a0-9e93-480f-bf78-a83c8136dfcb&pf\\_rd\\_r=4W7E6G2HXJGRNK7YEPVV&pd\\_rd\\_wg=Xkjug&pd\\_rd\\_w=RNLJq&pd\\_rd\\_r=b0b108ec-b625-4329-9d1c-901ffdc22525](https://www.amazon.com/dp/B0BHYZV3HY?pd_rd_i=B0BHYZV3HY&pf_rd_p=b000e0a0-9e93-480f-bf78-a83c8136dfcb&pf_rd_r=4W7E6G2HXJGRNK7YEPVV&pd_rd_wg=Xkjug&pd_rd_w=RNLJq&pd_rd_r=b0b108ec-b625-4329-9d1c-901ffdc22525) (Year: 2023).\*

(Continued)

*Primary Examiner* — Cynthia Ramirez  
(74) *Attorney, Agent, or Firm* — Daniel M. Cohn;  
Howard M. Cohn

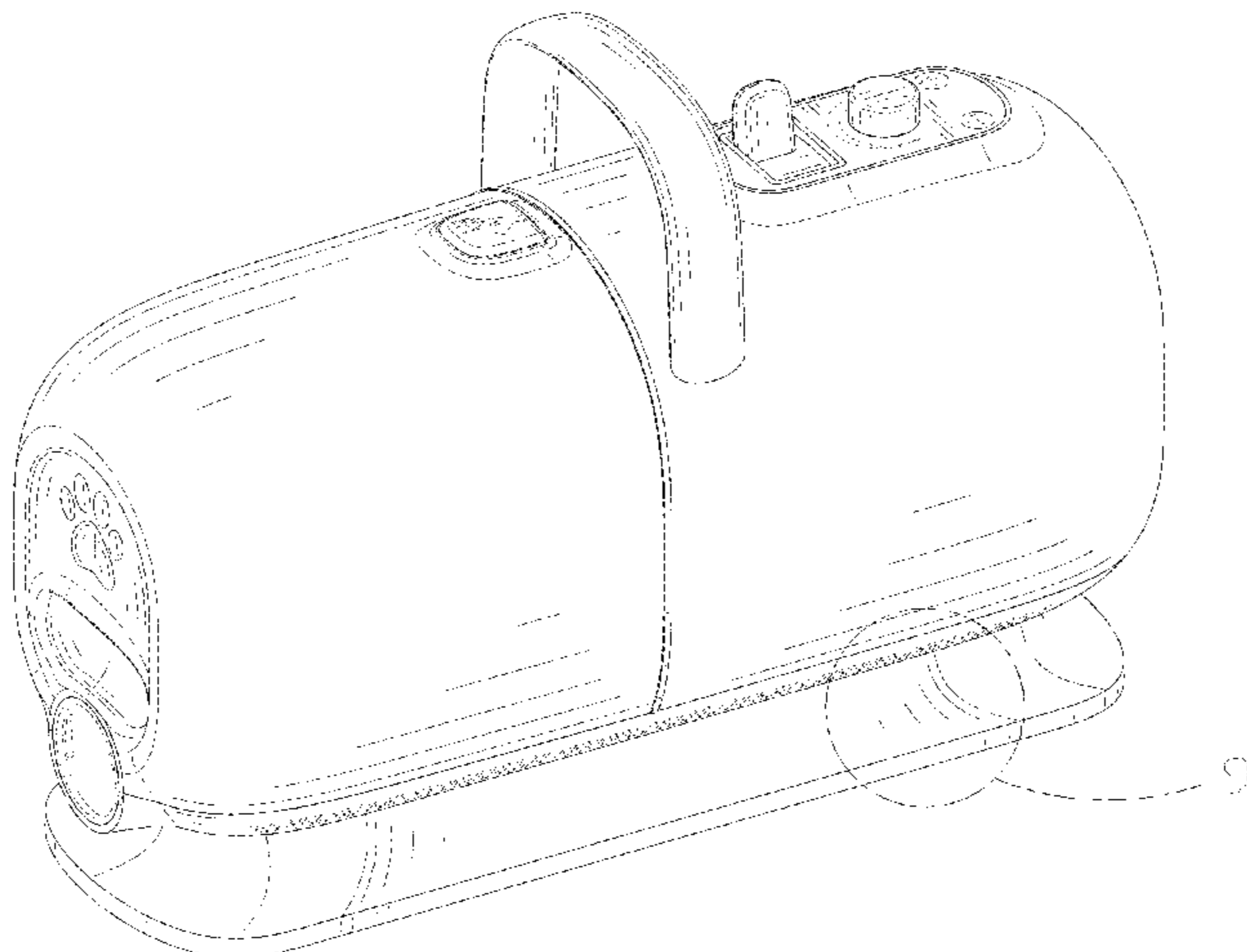
(57) **CLAIM**

The ornamental design for a vacuum cleaner, as shown and described.

**DESCRIPTION**

FIG. 1 is a perspective view of a vacuum cleaner showing my new design;  
FIG. 2 is another perspective view thereof;  
FIG. 3 is a front elevational view thereof;  
FIG. 4 is a rear elevational view thereof;  
FIG. 5 is a left side elevational view thereof;  
FIG. 6 is a right side elevational view thereof;  
FIG. 7 is a top plan view thereof;  
FIG. 8 is a bottom plan view thereof;  
FIG. 9 is an enlarged view of portion 9 shown in FIG. 1;  
FIG. 10 is an enlarged view of portion 10 shown in FIG. 2;  
and,  
FIG. 11 is an enlarged view of portion 11 shown in FIG. 5.  
The dash-dash broken lines in the drawings depict portions of the vacuum cleaner that form no part of the claimed design.  
The dot-dash broken lines represent boundaries of the enlarged portions and form no part of the claimed design.

**1 Claim, 11 Drawing Sheets**



(56)

**References Cited**

U.S. PATENT DOCUMENTS

D926,404 S \* 7/2021 Luo ..... D32/23  
D927,804 S \* 8/2021 Song ..... D32/18  
D936,720 S \* 11/2021 Eun ..... A47L 11/00  
D15/199  
D948,813 S \* 4/2022 Dexter ..... A01K 13/001  
D30/158  
D966,637 S 10/2022 Xu  
D976,826 S 1/2023 Hua  
D980,558 S \* 3/2023 Reeder ..... D32/18  
D980,559 S \* 3/2023 Hu ..... D32/18

OTHER PUBLICATIONS

LMVVC dog kit vacuum, visited Mar. 22, 2023, [https://www.amazon.com/LMVVC-Grooming-Clippers-Suction-Shedding/dp/B0BNT2W24D/ref=sr\\_1\\_2\\_sspa?crd=12MPCOKR0WBJX&keywords=pet+vacuum&qid=1679518260&srefix=pet+vacuum%2Caps%2C85&sr=8-2-spons&ufe=app\\_do%3Aamzn1.fos.f5122f16-c3e8-4386-bf32-63e904010ad0&ps](https://www.amazon.com/LMVVC-Grooming-Clippers-Suction-Shedding/dp/B0BNT2W24D/ref=sr_1_2_sspa?crd=12MPCOKR0WBJX&keywords=pet+vacuum&qid=1679518260&srefix=pet+vacuum%2Caps%2C85&sr=8-2-spons&ufe=app_do%3Aamzn1.fos.f5122f16-c3e8-4386-bf32-63e904010ad0&ps) (Year: 2023).\*

Afloia dog pet grooming vacuum, visited Mar. 23, 2023, [https://www.amazon.com/Afloia-Grooming-Clippers-Shedding-Cleaning/dp/B0BHNQPXPT/ref=sr\\_1\\_22\\_sspa?crd=12MPCOKR0WBJX&keywords=pet+vacuum&qid=1679518260&srefix=pet+vacuum%2Caps%2C85&sr=8-22-spons&psc=1&spLa=ZW5jcmlwdGVkUXVhbGlnaWVyPUExVVJF](https://www.amazon.com/Afloia-Grooming-Clippers-Shedding-Cleaning/dp/B0BHNQPXPT/ref=sr_1_22_sspa?crd=12MPCOKR0WBJX&keywords=pet+vacuum&qid=1679518260&srefix=pet+vacuum%2Caps%2C85&sr=8-22-spons&psc=1&spLa=ZW5jcmlwdGVkUXVhbGlnaWVyPUExVVJF) (Year: 2023).\*

\* cited by examiner

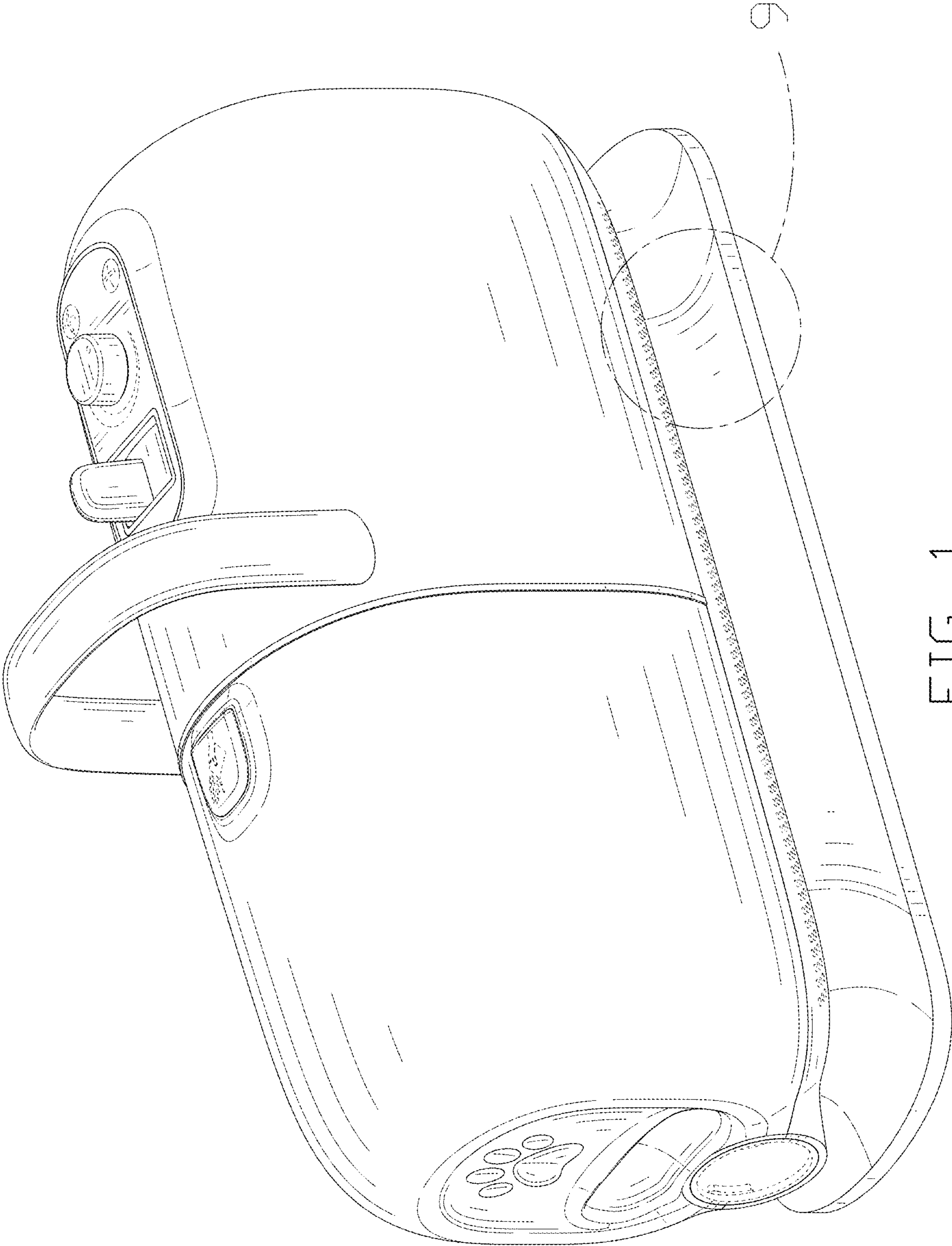


FIG. 1

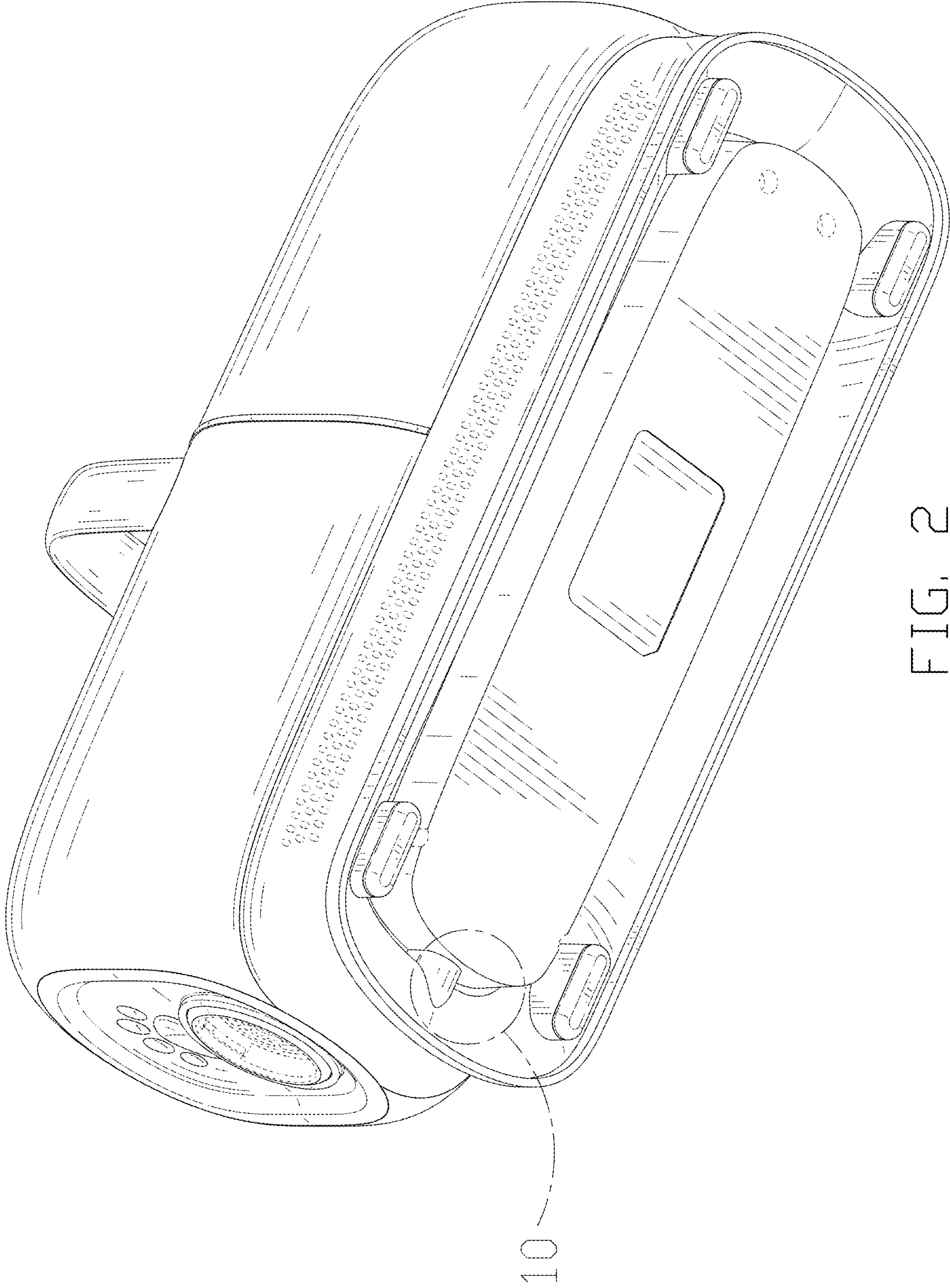


FIG. 2

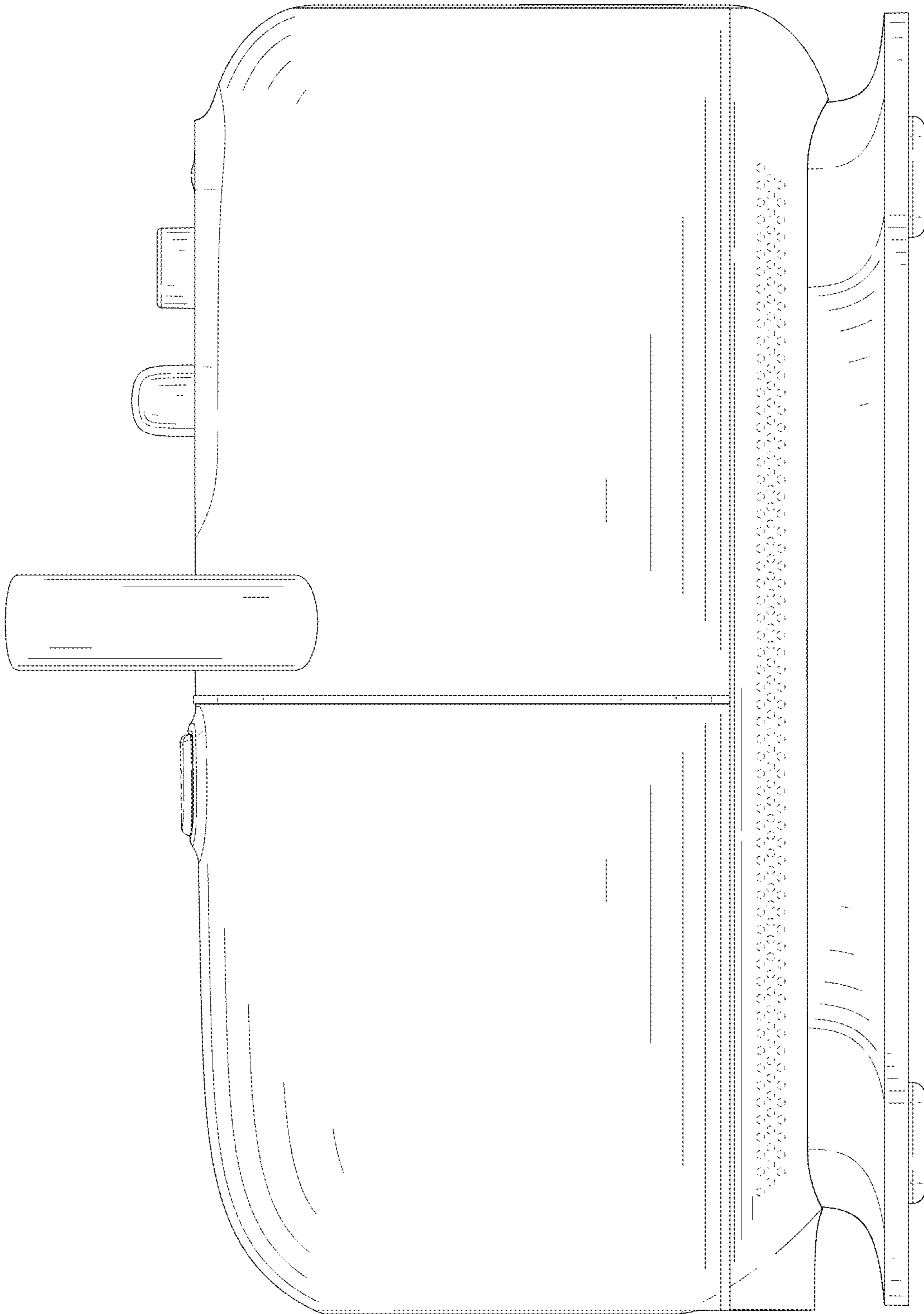


FIG. 3

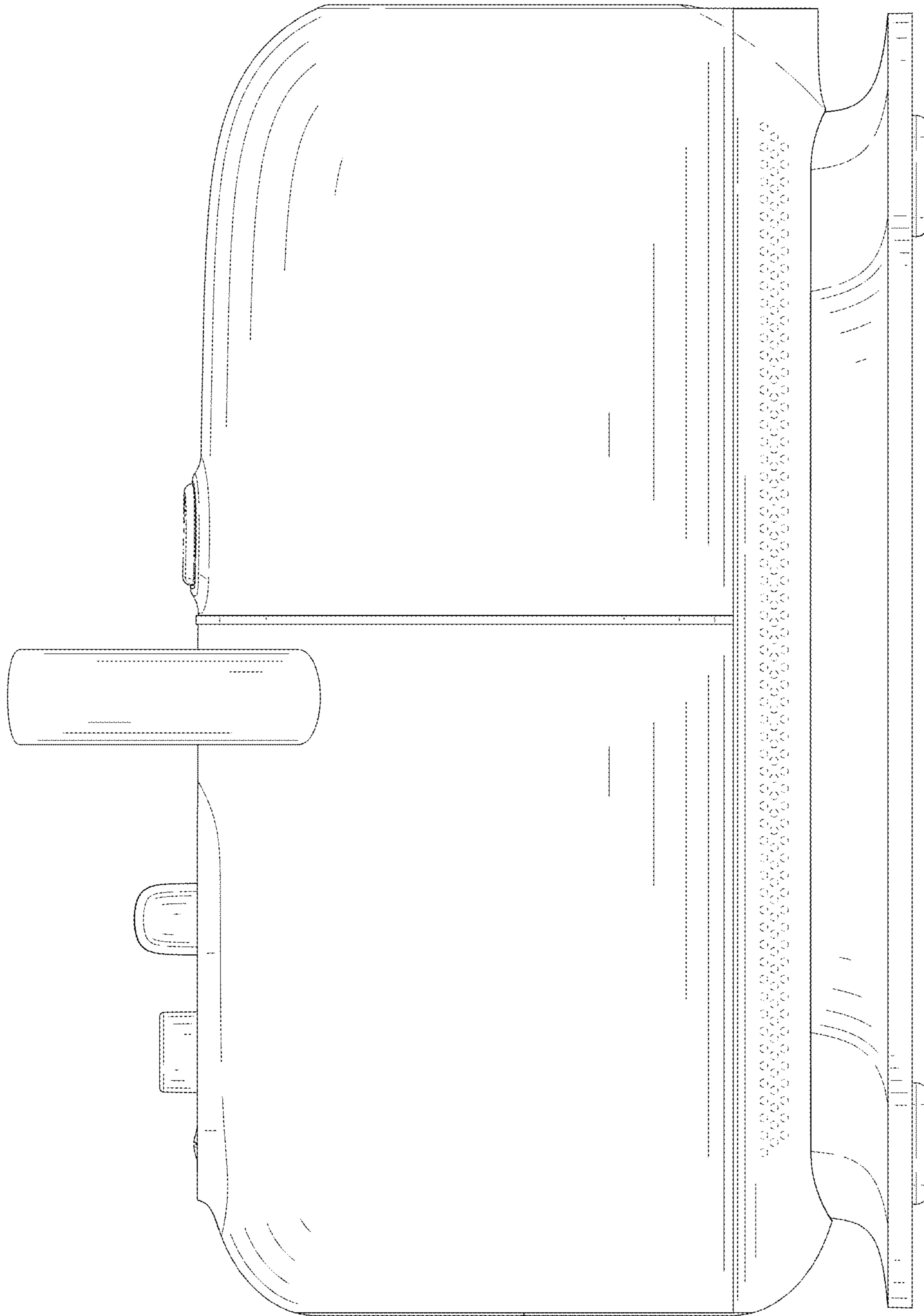


FIG. 4

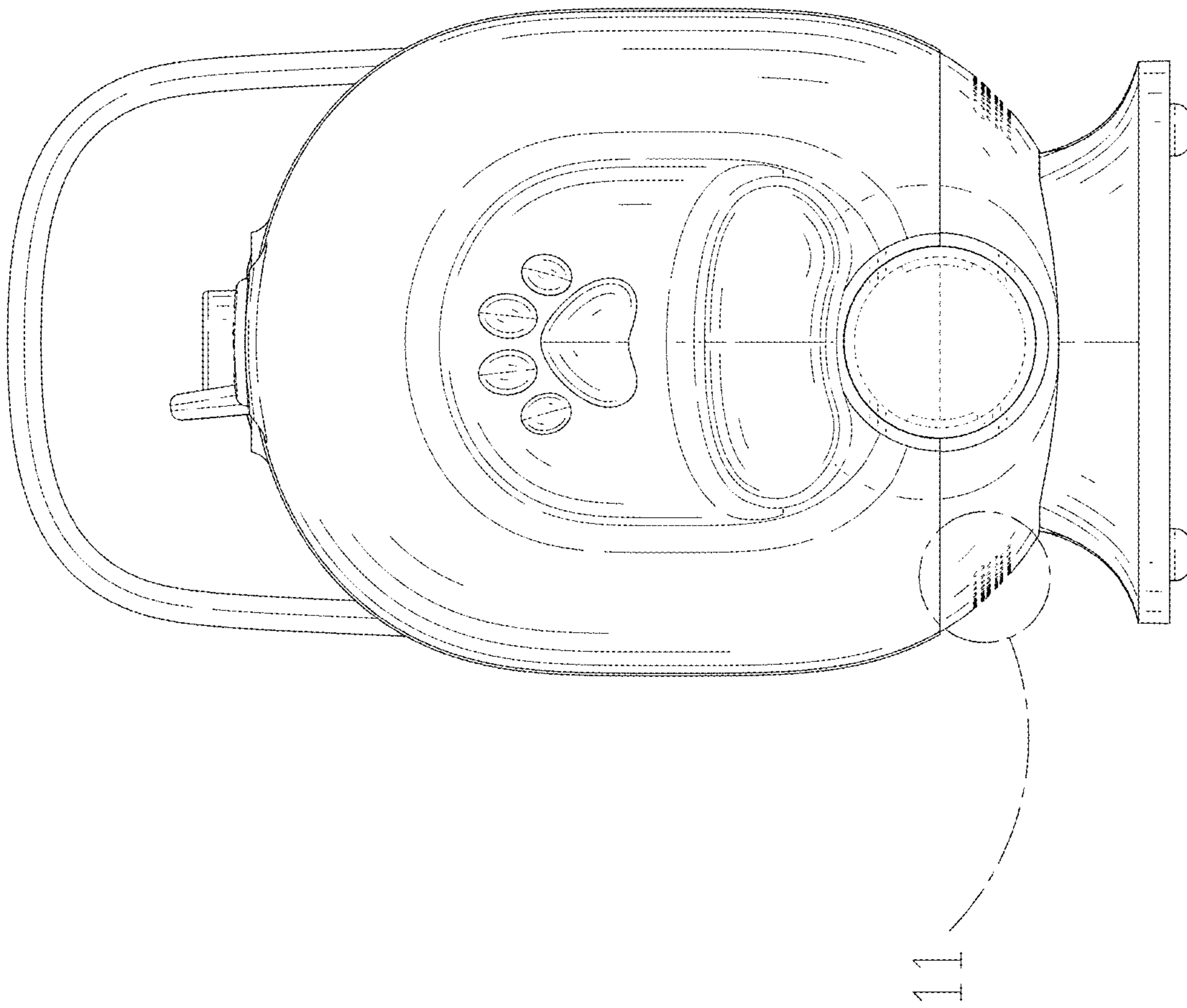


FIG. 5

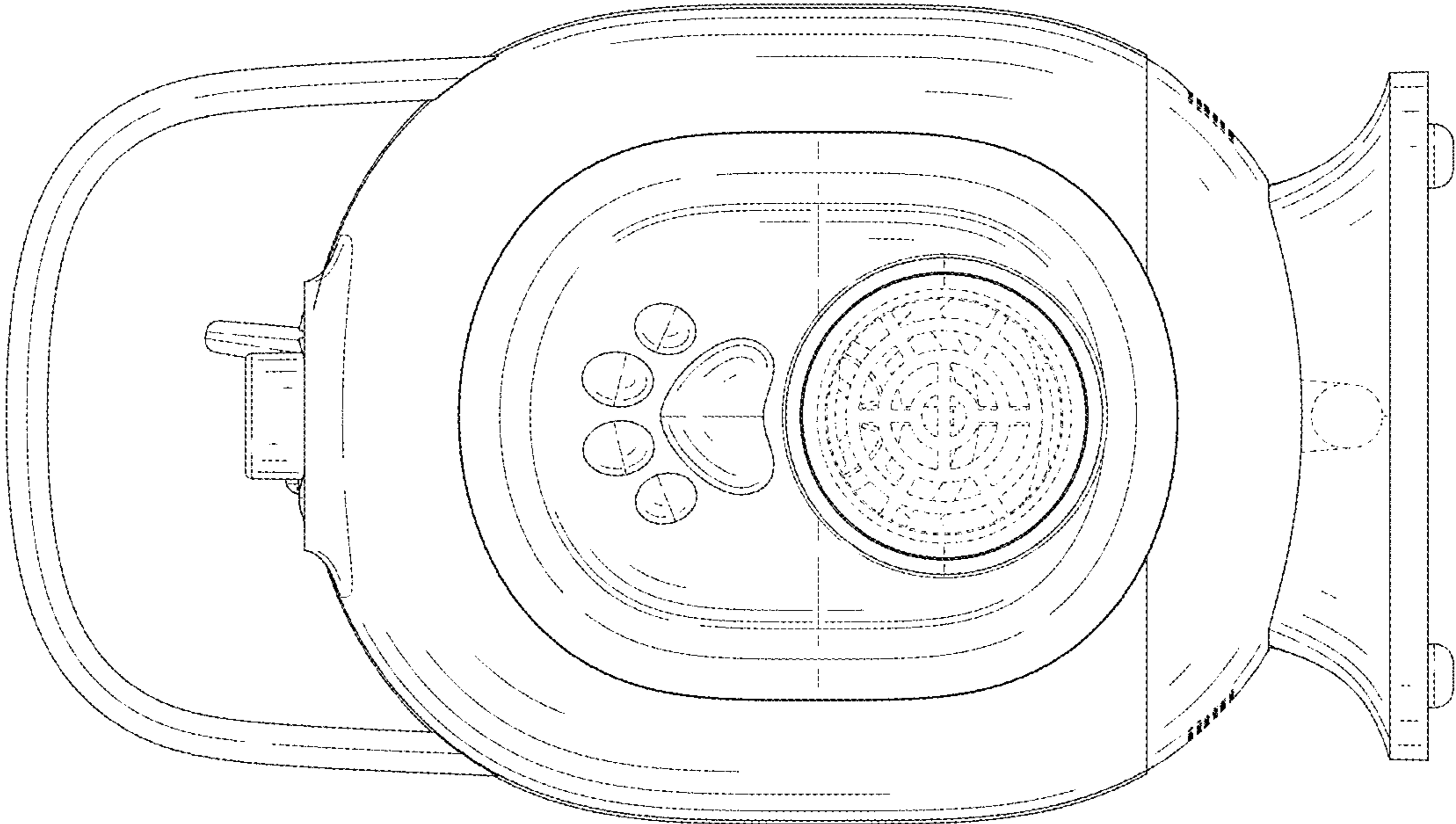


FIG. 6



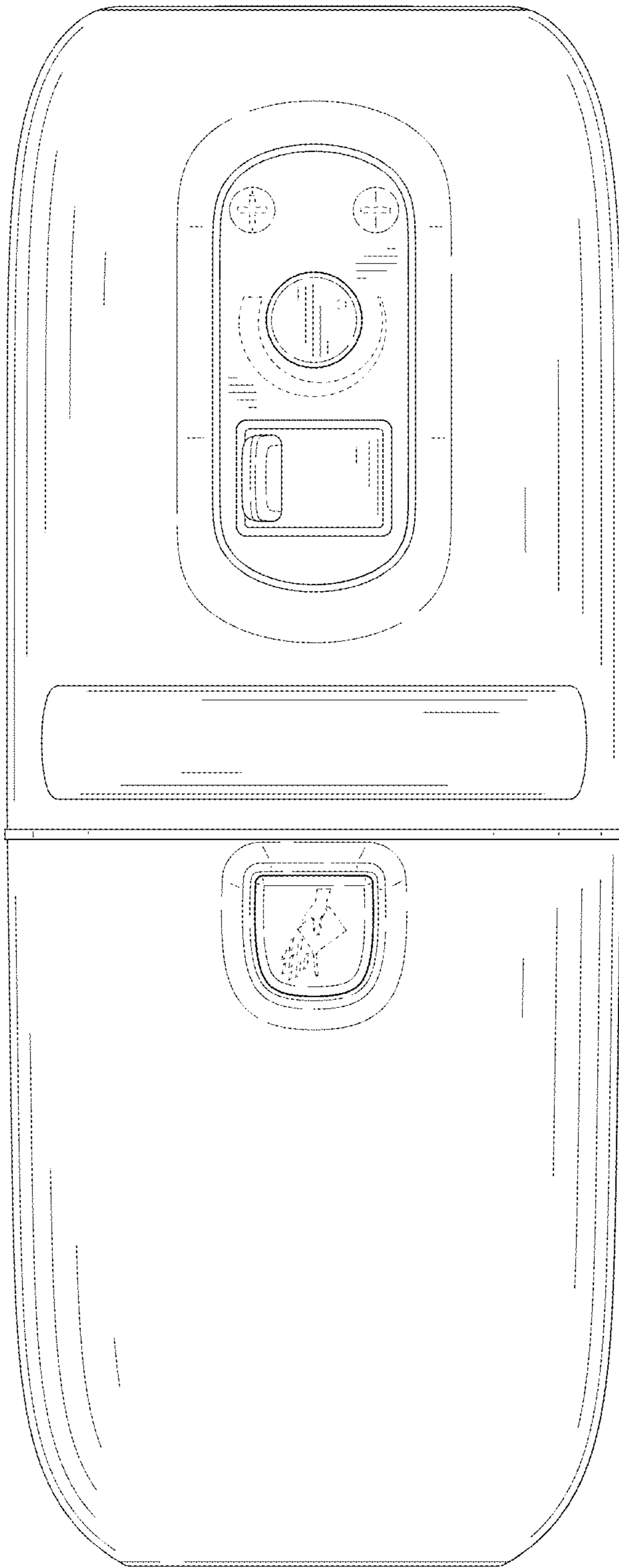


FIG. 7

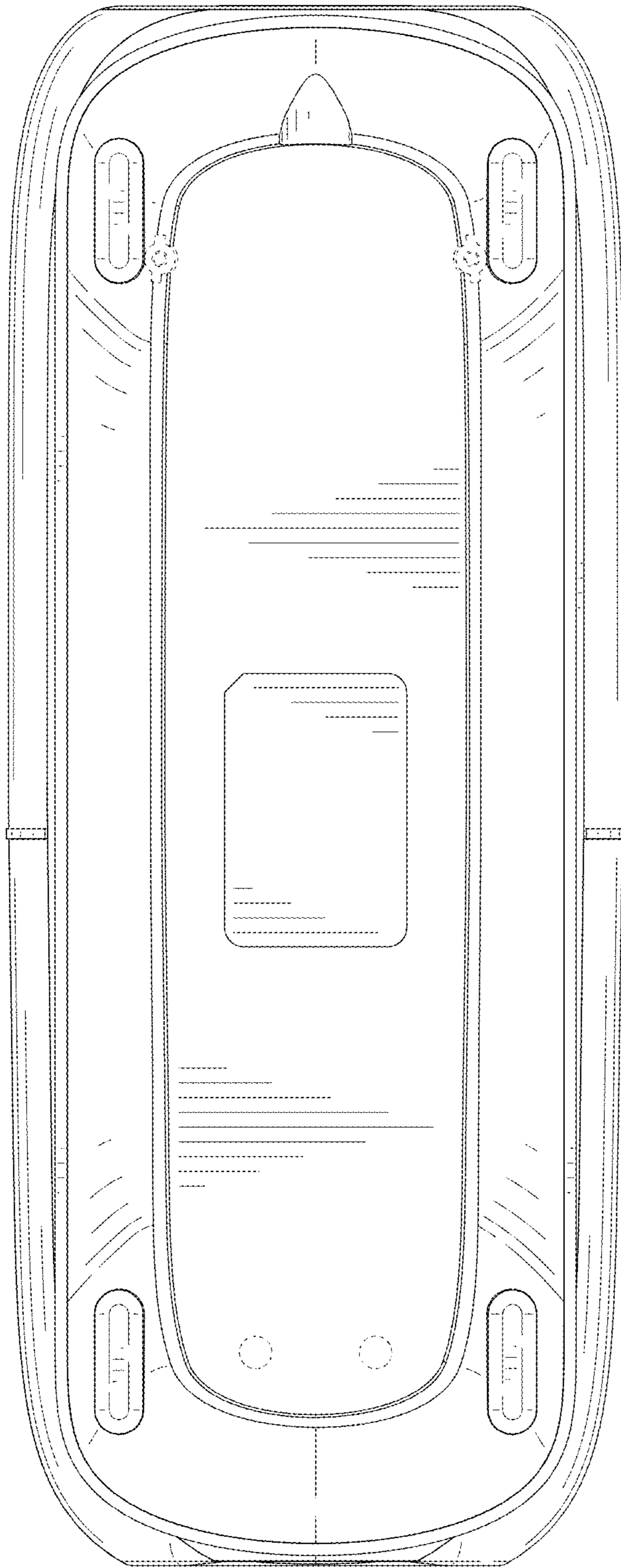


FIG. 8

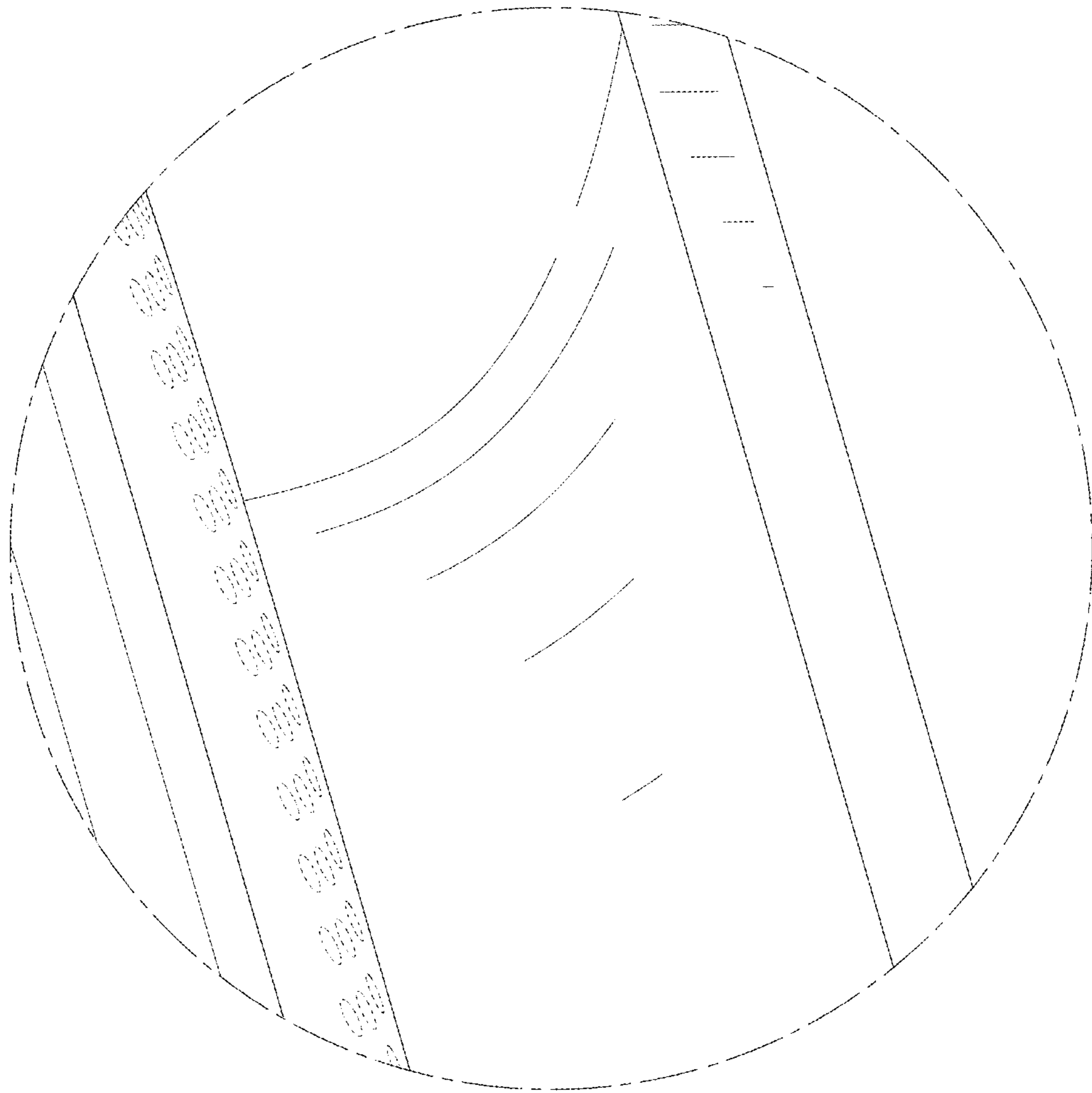


FIG. 9

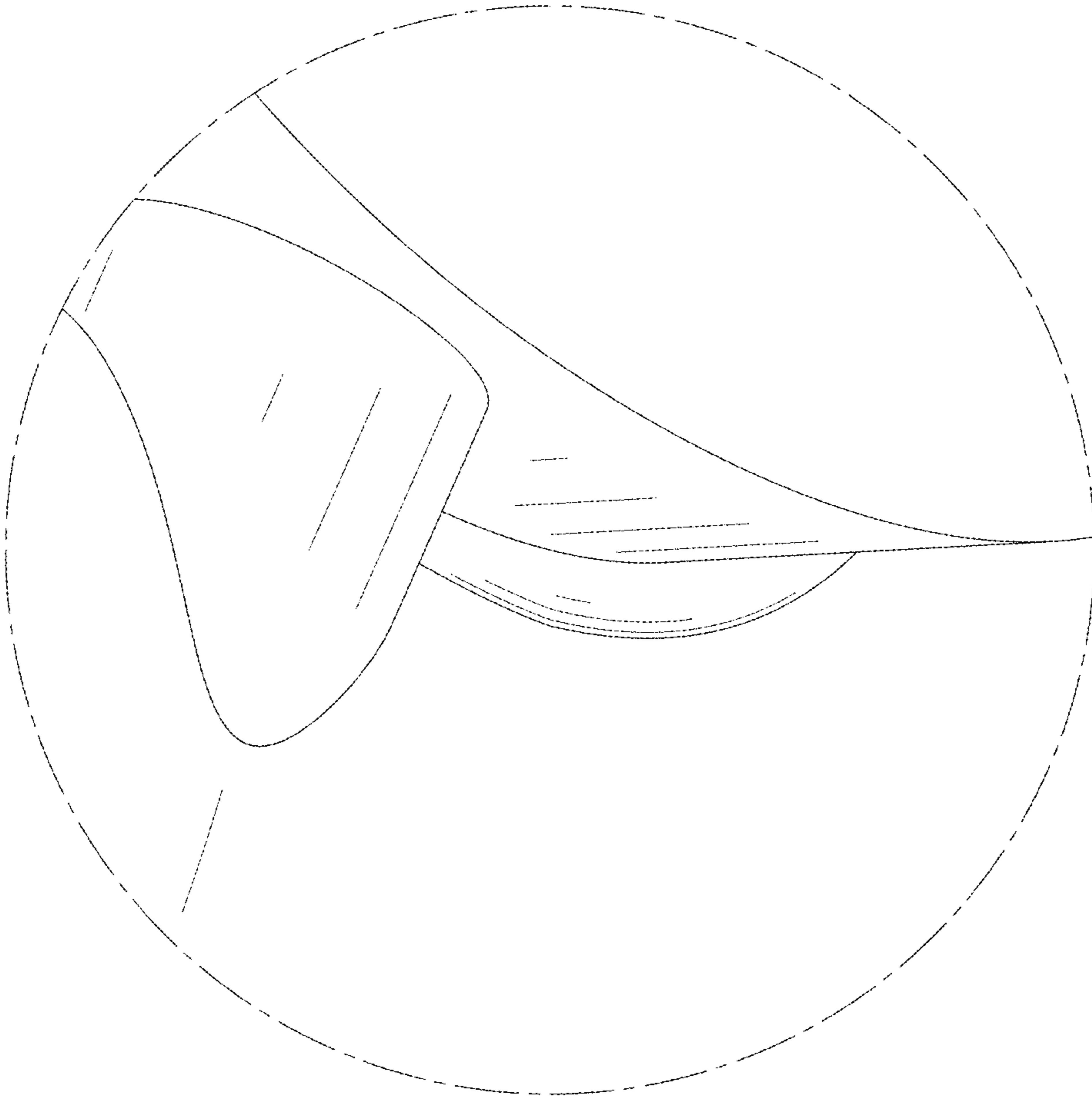


FIG. 10

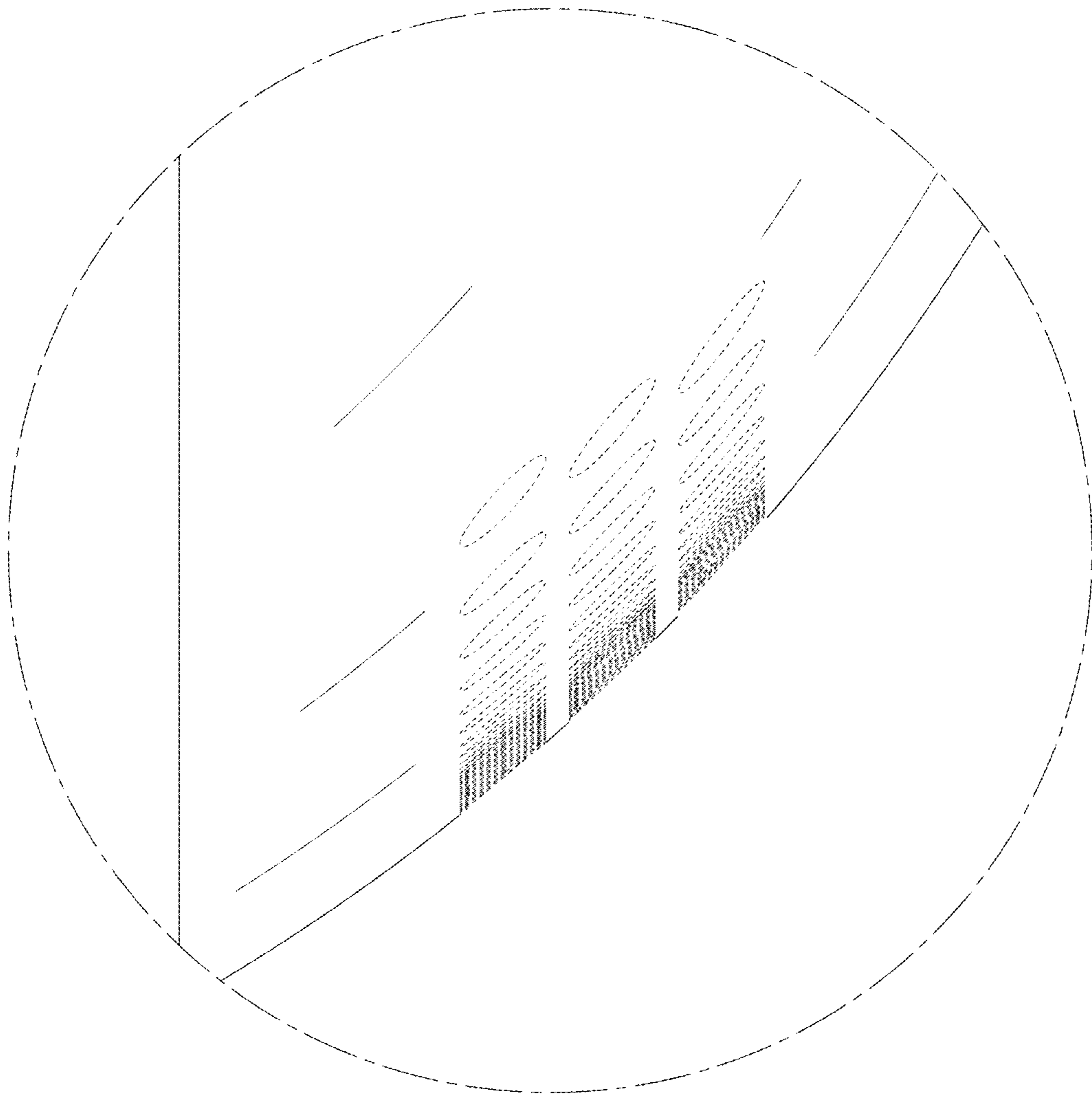


FIG. 11