



US00D987217S

(12) **United States Design Patent**
Xiong

(10) **Patent No.:** **US D987,217 S**

(45) **Date of Patent:** **** May 23, 2023**

(54) **RECEIVER OF DOG TRAINING COLLAR**

(71) Applicant: **Xianjiang Xiong**, Dongguan (CN)

(72) Inventor: **Xianjiang Xiong**, Dongguan (CN)

(**) Term: **15 Years**

(21) Appl. No.: **29/872,050**

(22) Filed: **Mar. 6, 2023**

(51) **LOC (14) Cl.** **30-04**

(52) **U.S. Cl.**

USPC **D30/152**; D30/199

(58) **Field of Classification Search**

USPC D30/108–120, 151–152, 155, 160, 199;
D10/30–32, 38–39, 52–53, 55–57, 60, 70,
D10/74, 80, 84, 103, 104.1, 104.2, 106.1,
D10/106.6; D14/344, 358; D24/167, 186

CPC .. A01K 15/021; A01K 15/022; A01K 15/023;
A01K 15/029; A01K 27/00; A01K
27/001; A01K 27/009

See application file for complete search history.

(56) **References Cited**

U.S. PATENT DOCUMENTS

| | | | | |
|--------------|---------|-----------|-------|-----------|
| D387,898 S * | 12/1997 | Ronzani | | D3/215 |
| D447,959 S * | 9/2001 | Fox | | D10/30 |
| D456,277 S * | 4/2002 | Streltsov | | D10/30 |
| D478,831 S * | 8/2003 | So | | D10/104.1 |
| D511,699 S * | 11/2005 | Pan | | D10/70 |
| D584,176 S * | 1/2009 | Maruyama | | D10/70 |
| D597,425 S * | 8/2009 | Au Yeung | | D10/70 |
| D622,685 S * | 8/2010 | Garra | | D14/137 |
| D631,552 S * | 1/2011 | Kasabach | | D24/186 |
| D645,968 S * | 9/2011 | Kasabach | | D24/186 |
| D679,618 S * | 4/2013 | Dumas | | D10/104.2 |
| D699,758 S * | 2/2014 | Lavin | | D14/496 |
| D710,228 S * | 8/2014 | Burke | | D10/104.1 |
| D710,229 S * | 8/2014 | Burke | | D10/104.1 |
| D713,103 S * | 9/2014 | Sproviero | | D30/199 |
| D722,983 S * | 2/2015 | Paredes | | D13/168 |

| | | | | |
|----------------|---------|----------|-------|-------------|
| D726,052 S * | 4/2015 | Henning | | D10/70 |
| D740,150 S * | 10/2015 | Howsam | | D11/3 |
| D744,110 S * | 11/2015 | Kubo | | D24/186 |
| D747,494 S * | 1/2016 | Tamsiran | | D24/186 |
| D748,273 S * | 1/2016 | Chang | | D24/186 |
| D766,740 S * | 9/2016 | Voirin | | D10/38 |
| D784,982 S * | 4/2017 | Alberola | | D10/74 |
| D788,999 S * | 6/2017 | Zinn | | D30/152 |
| D798,003 S * | 9/2017 | Dong | | D30/199 |
| D806,880 S * | 1/2018 | Henning | | D14/344 |
| 9,861,080 B1 * | 1/2018 | Hathway | | A01K 27/001 |

(Continued)

OTHER PUBLICATIONS

Dog Shock Collar, dated to Sep. 23, 2022, amazon.com [online]. Retrieved Mar. 20, 2023 from internet <URL:https://www.amazon.com/dp/B0BG6X7DPB/?th=1> (Year: 2022).*

(Continued)

Primary Examiner — Andrew T Nemeth

(74) *Attorney, Agent, or Firm* — Jeenam Park

(57) **CLAIM**

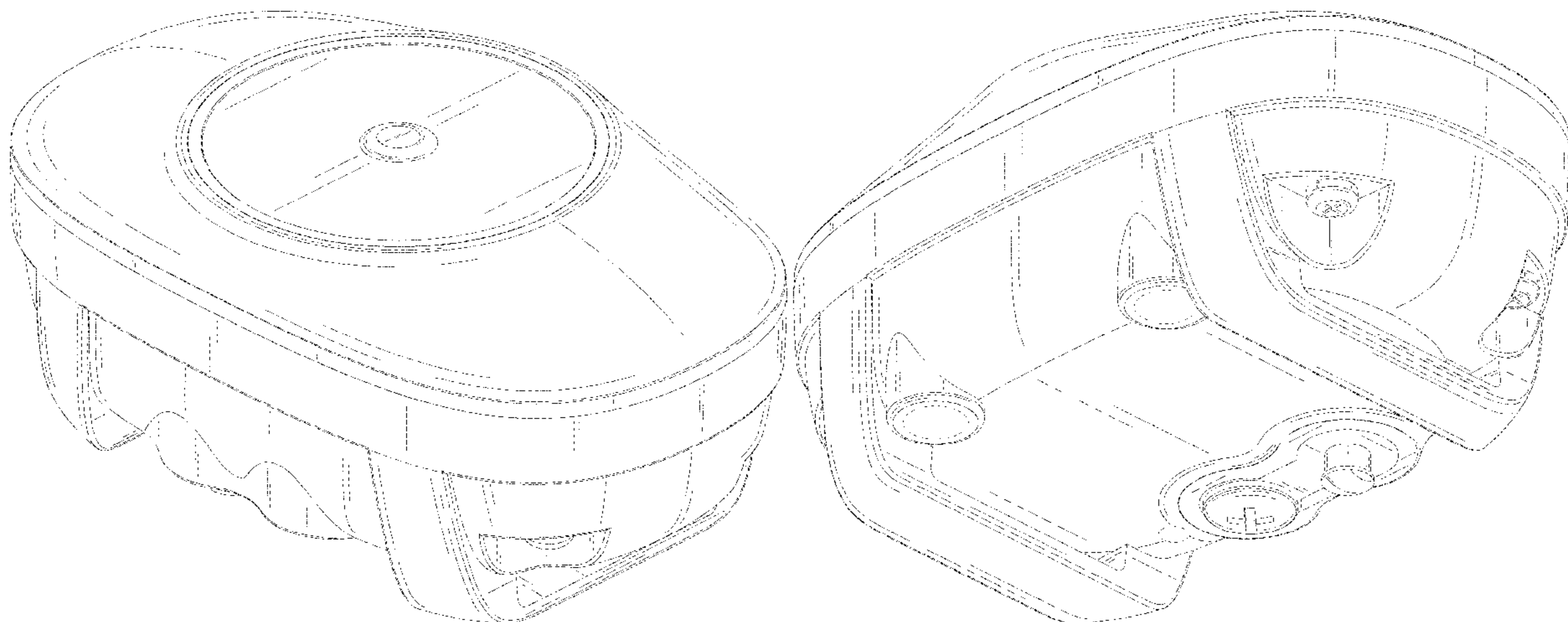
The ornamental design for a receiver of dog training collar, as shown and described.

DESCRIPTION

FIG. 1 is a front, left and bottom perspective view of a receiver of dog training collar, showing my new design; FIG. 2 is a rear, right and top perspective view thereof; FIG. 3 is a front view thereof; FIG. 4 is a rear view thereof; FIG. 5 is a left side view thereof; FIG. 6 is a right side view thereof; FIG. 7 is a top plan view thereof; and, FIG. 8 is a bottom plan view thereof.

The broken lines shown in the drawings illustrate portions of the receiver of dog training collar that form no part of the claimed design.

1 Claim, 8 Drawing Sheets



(56)

References Cited

U.S. PATENT DOCUMENTS

D812,499 S * 3/2018 Kuh D10/70
 D816,520 S * 5/2018 Elrod D10/53
 D822,921 S * 7/2018 Wen D30/199
 D822,922 S * 7/2018 Wen D30/152
 D829,120 S * 9/2018 Mitchell D10/104.1
 D829,121 S * 9/2018 Colasse D10/106.1
 D836,858 S * 12/2018 Zinn D10/104.1
 D838,190 S * 1/2019 Lai D10/53
 D846,817 S * 4/2019 Li D30/152
 D848,293 S * 5/2019 Laurans D10/70
 D850,628 S * 6/2019 De Hoog D24/186
 D852,656 S * 7/2019 Kazes D10/70
 D853,666 S * 7/2019 Ni D10/104.1
 D854,011 S * 7/2019 Ciprian D12/114
 D886,099 S * 6/2020 Choplin D14/344
 D890,002 S * 7/2020 Cound D10/70
 D890,456 S * 7/2020 Dai D30/199
 D896,391 S * 9/2020 Moriguchi D10/70
 D898,308 S * 10/2020 Yang D10/104.1
 D899,012 S * 10/2020 Zinn D30/152
 D899,717 S * 10/2020 Van Curen D30/199
 10,834,897 B1 * 11/2020 Chen A01K 29/005
 D922,883 S * 6/2021 Tabbah D10/32
 D925,141 S * 7/2021 Lai D10/104.1
 D926,062 S * 7/2021 Konotopskyi D10/104.1
 D929,051 S * 8/2021 Li D10/104.1
 D929,682 S * 8/2021 Li D10/104.1
 11,094,224 B2 * 8/2021 Stapleton G09F 3/08
 D939,361 S * 12/2021 Yang D10/53
 D942,881 S * 2/2022 Siminoff D10/106.6
 D943,844 S * 2/2022 Li D10/104.1
 D943,845 S * 2/2022 Li D10/104.1

D944,470 S * 2/2022 Li D10/104.1
 D945,721 S * 3/2022 Luo D10/104.1
 D948,814 S * 4/2022 Jin D10/104.1
 D948,816 S * 4/2022 Jin D10/104.1
 D950,170 S 4/2022 Li
 D952,862 S * 5/2022 Yamamoto D24/186
 D954,015 S * 6/2022 Chen D14/155
 D957,763 S * 7/2022 Jia D10/104.1
 D962,101 S * 8/2022 Siminoff D10/106.6
 D963,265 S * 9/2022 Liu D10/104.1
 D964,667 S * 9/2022 Mo D10/104.1
 D965,925 S * 10/2022 Zhu D10/104.1
 D966,633 S * 10/2022 Jia D10/104.1
 D971,528 S * 11/2022 Wen D10/104.1
 D972,236 S * 12/2022 Liang D10/104.1
 D973,979 S * 12/2022 Zhong D30/152
 D977,765 S * 2/2023 Zhang D30/199
 D977,766 S * 2/2023 Jia D10/104.1
 2014/0123912 A1 * 5/2014 Menkes A61B 5/0004
 119/859
 2022/0053736 A1 * 2/2022 Xiao A01K 15/021

OTHER PUBLICATIONS

Dog Training Collar with Remote, Heaflex Portable Lightweight Shock Collar, dated to Jan. 26, 2022, amazon.com [online]. Retrieved Mar. 20, 2023 from internet <URL:https://www.amazon.com/dp/B09Q5BL9ZD/?th=1> (Year: 2022).*

Dog Shock Collar, Vegamile Dog Training Collar with Remote, dated to Oct. 21, 2022, amazon.com [online]. Retrieved Mar. 20, 2023 from internet <URL:https://www.amazon.com/dp/BOBJZFX4YJ/?th=1> (Year: 2022).*

* cited by examiner

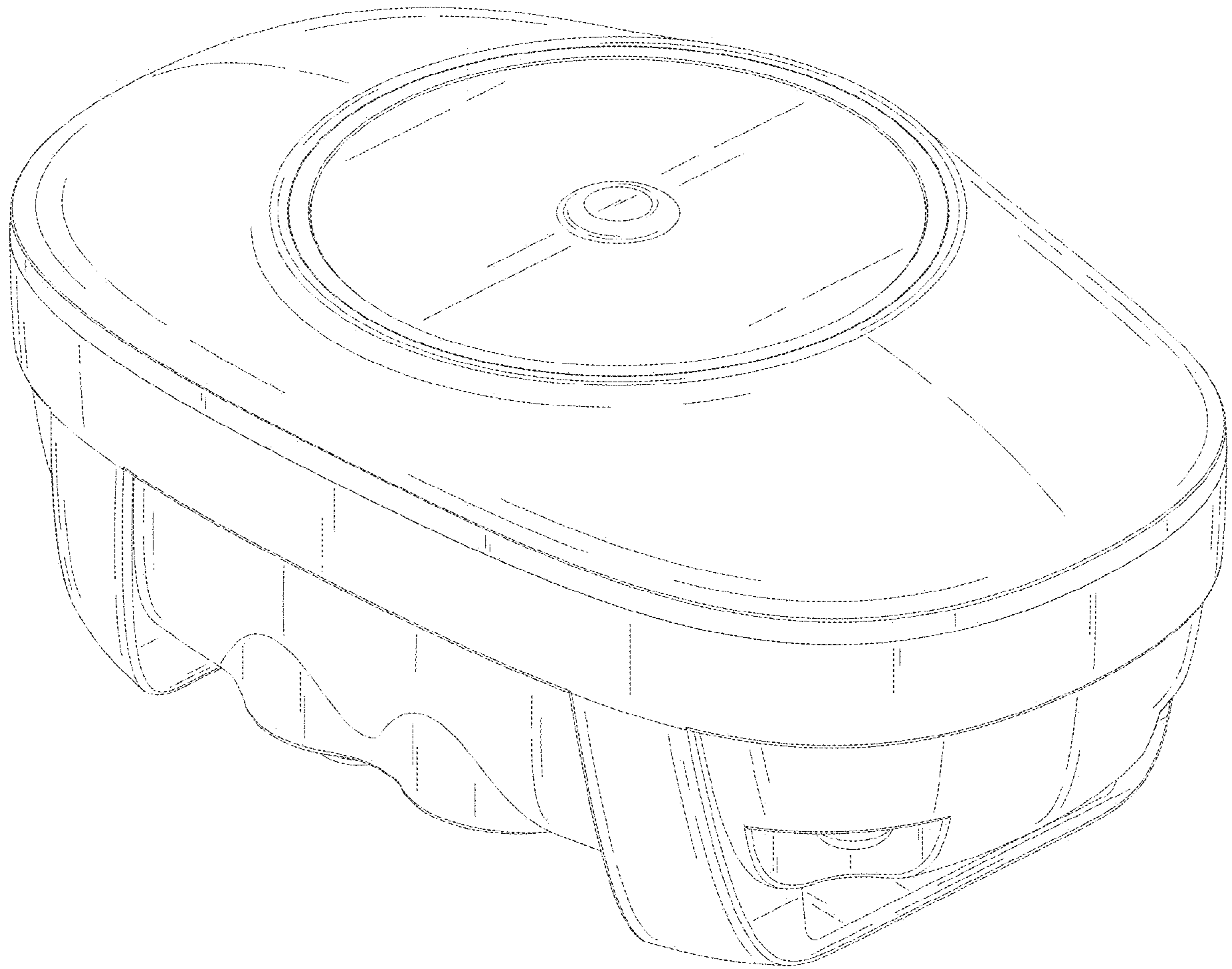


FIG. 1

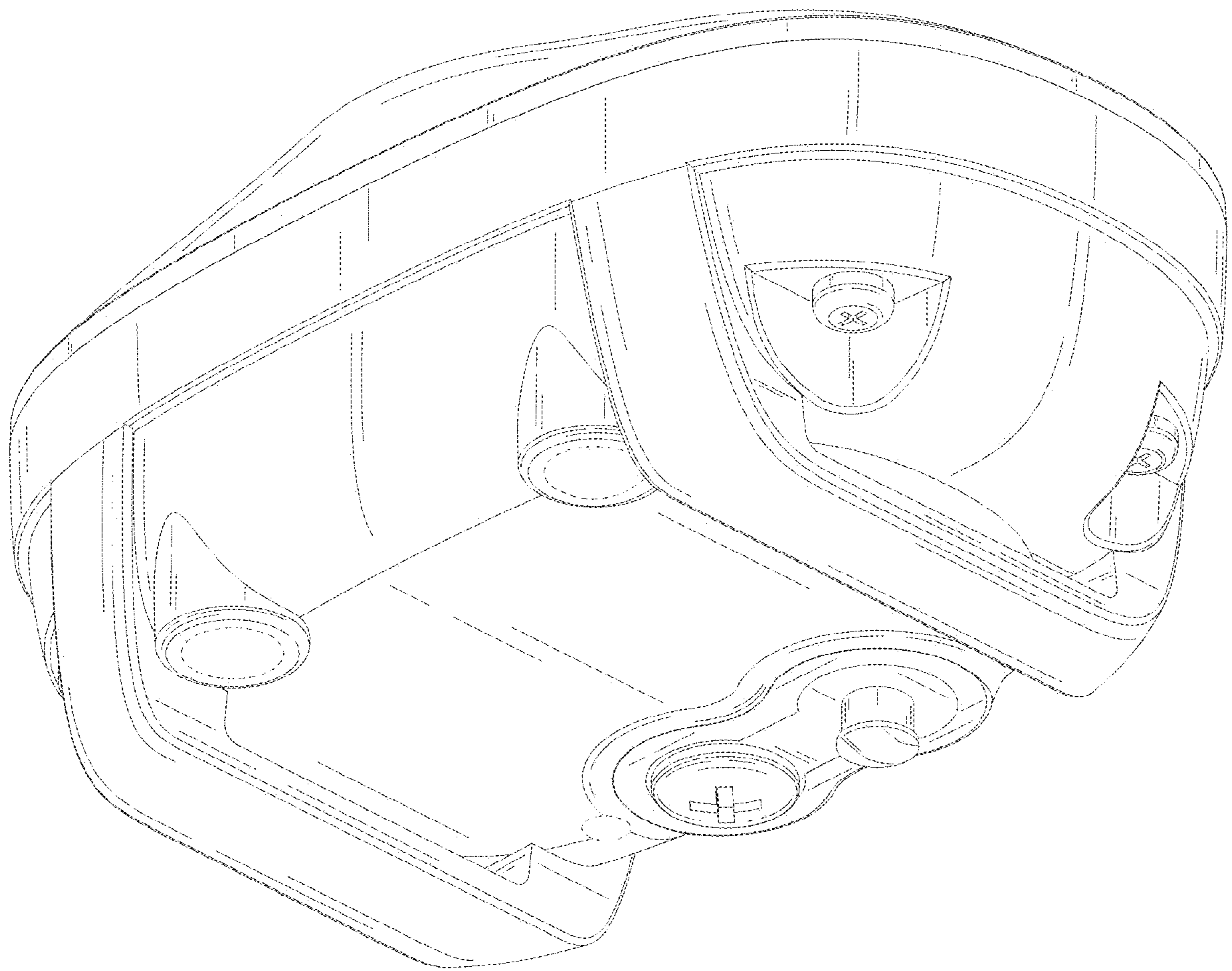


FIG. 2

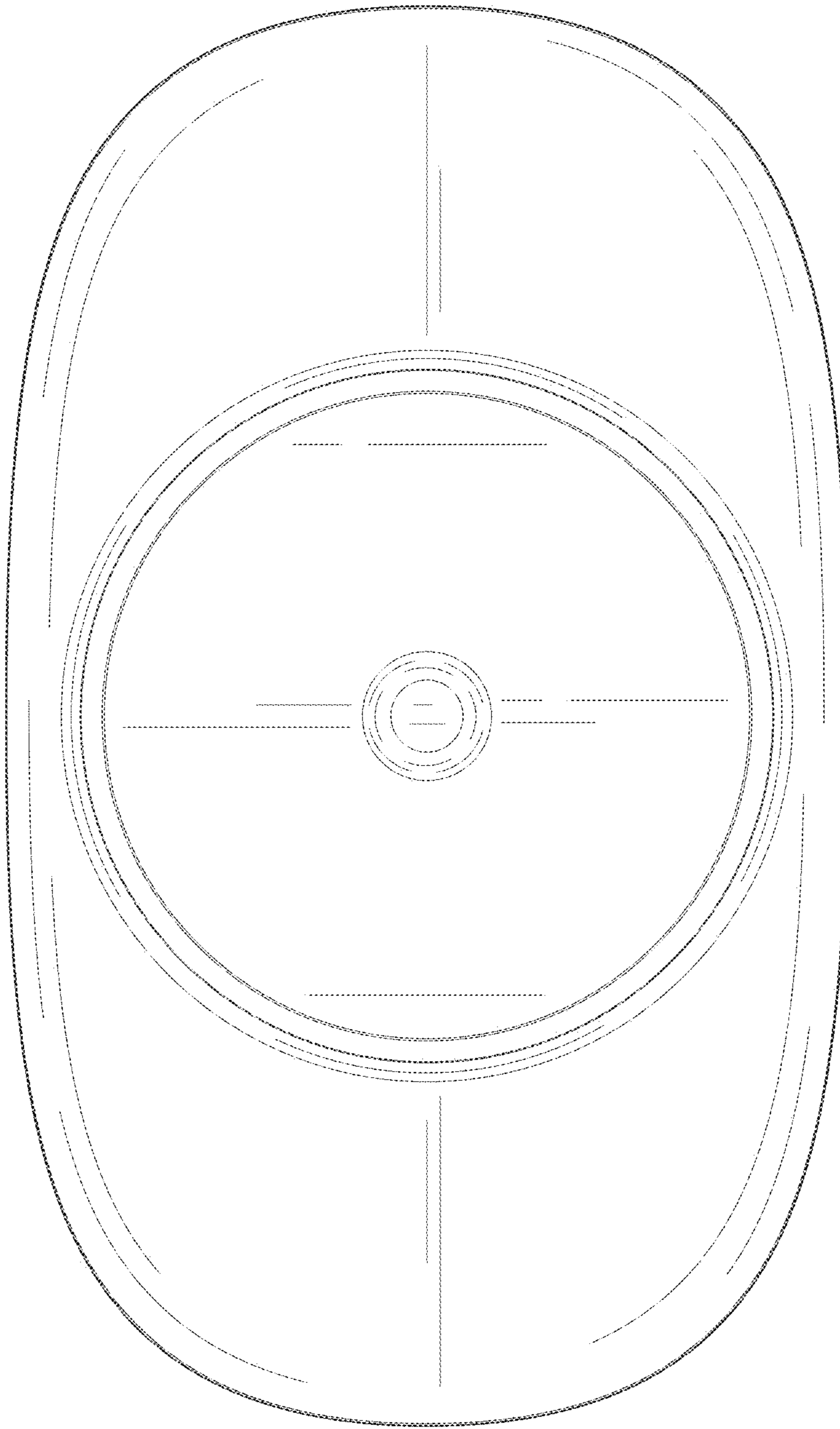


FIG. 3

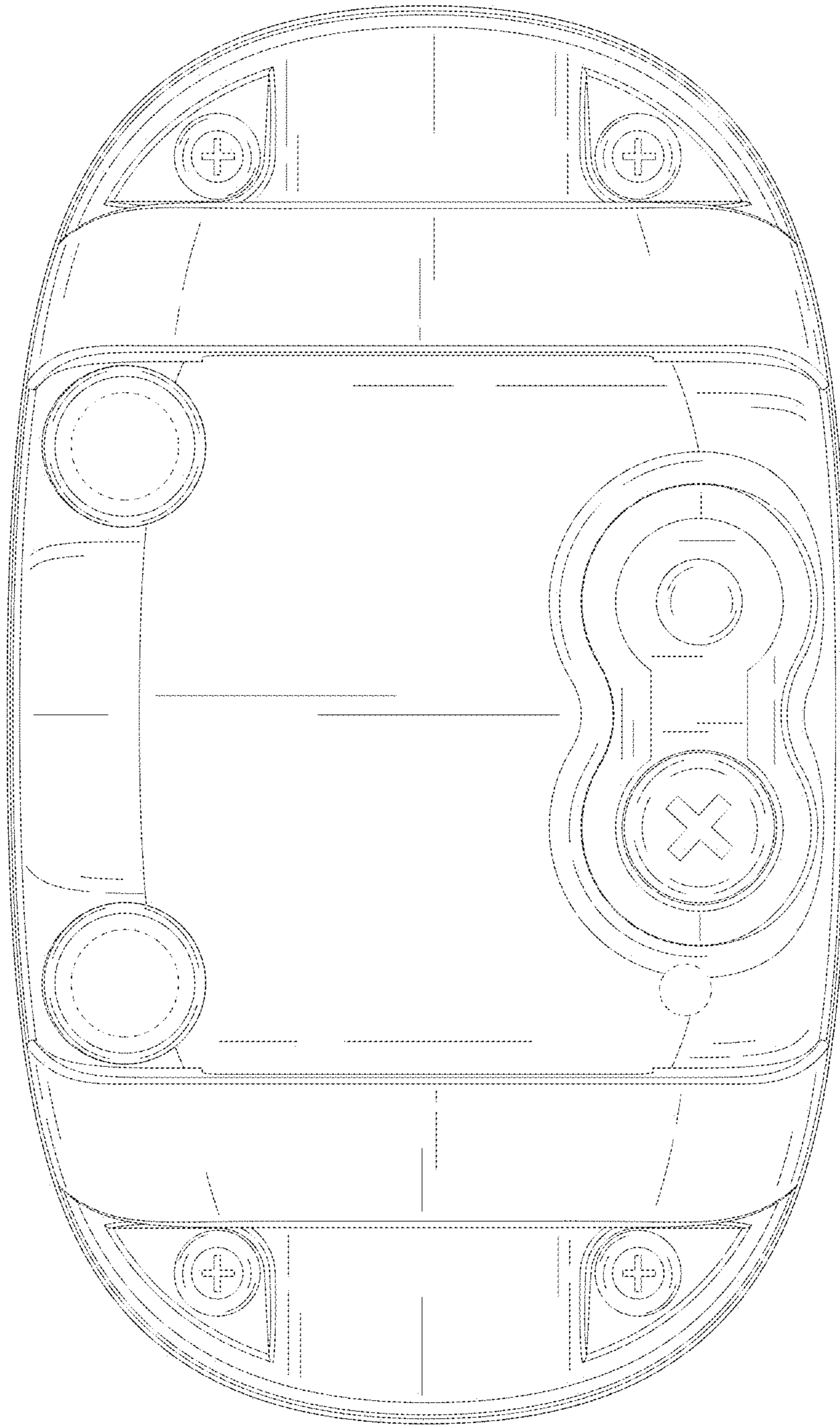


FIG. 4

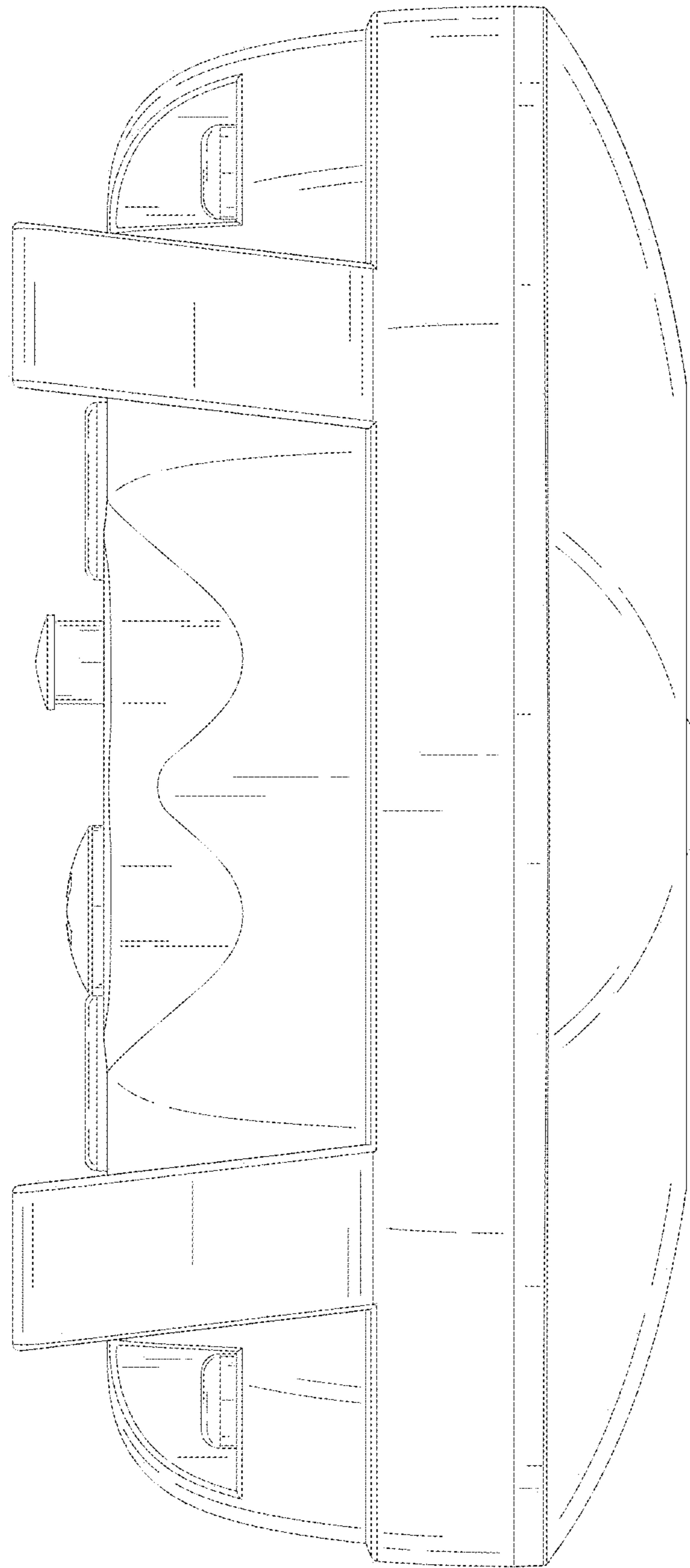


FIG. 5

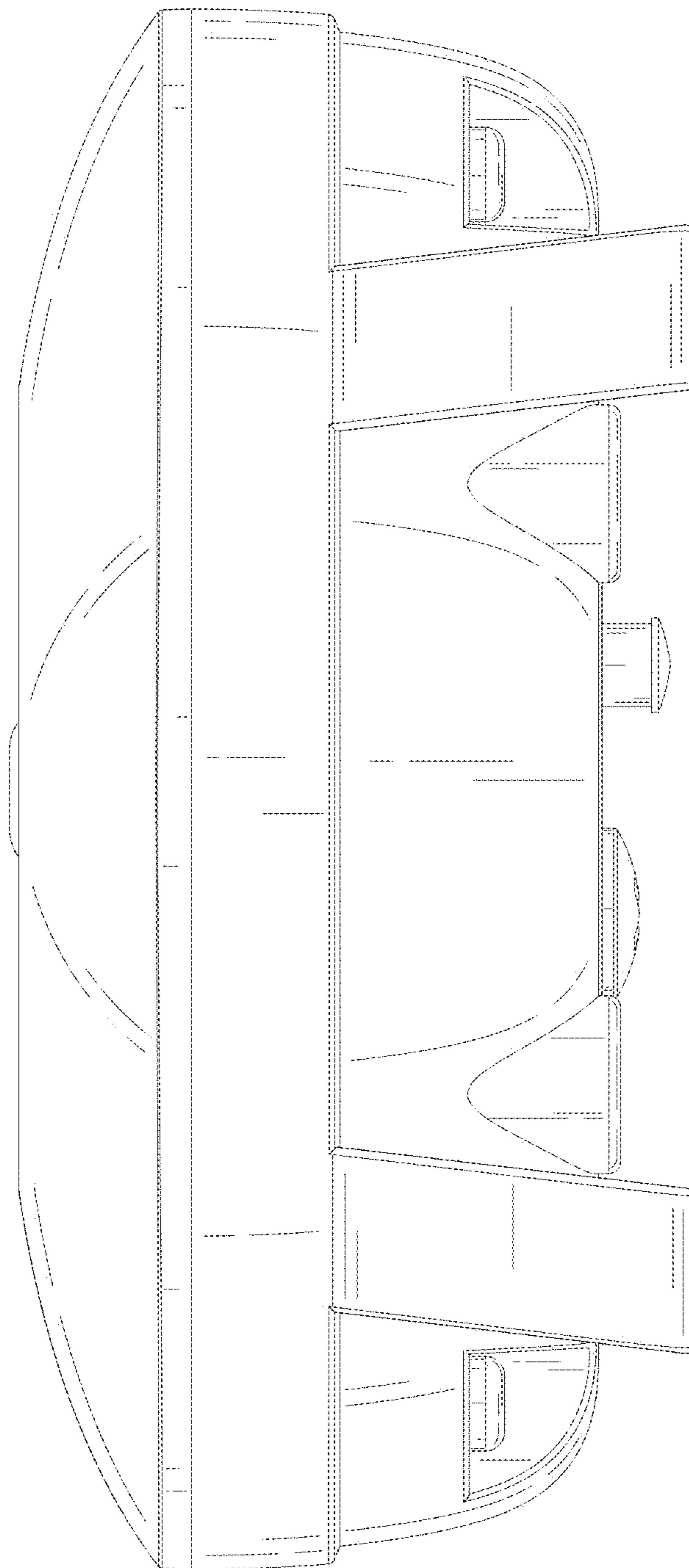


FIG. 6

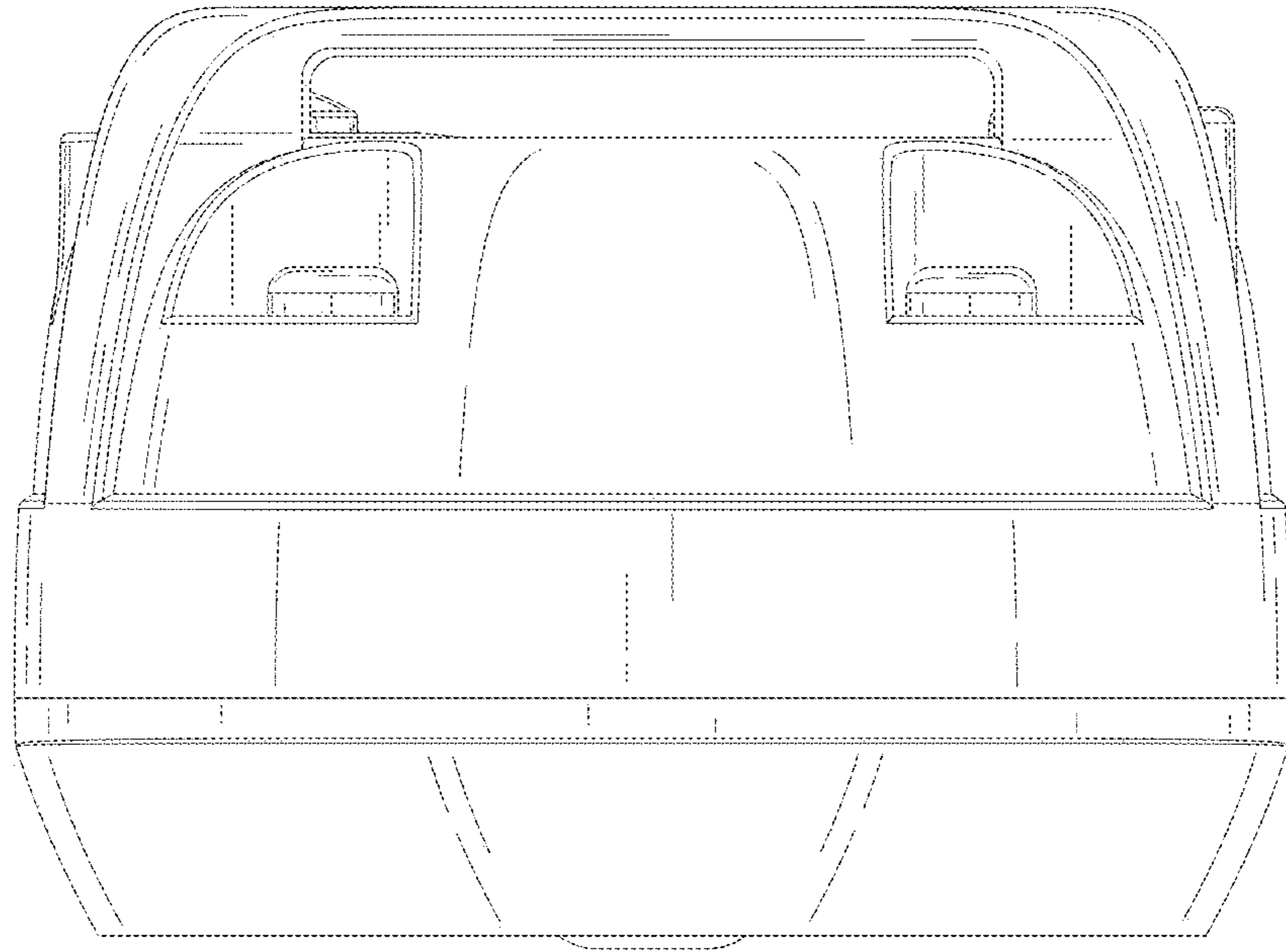


FIG. 7

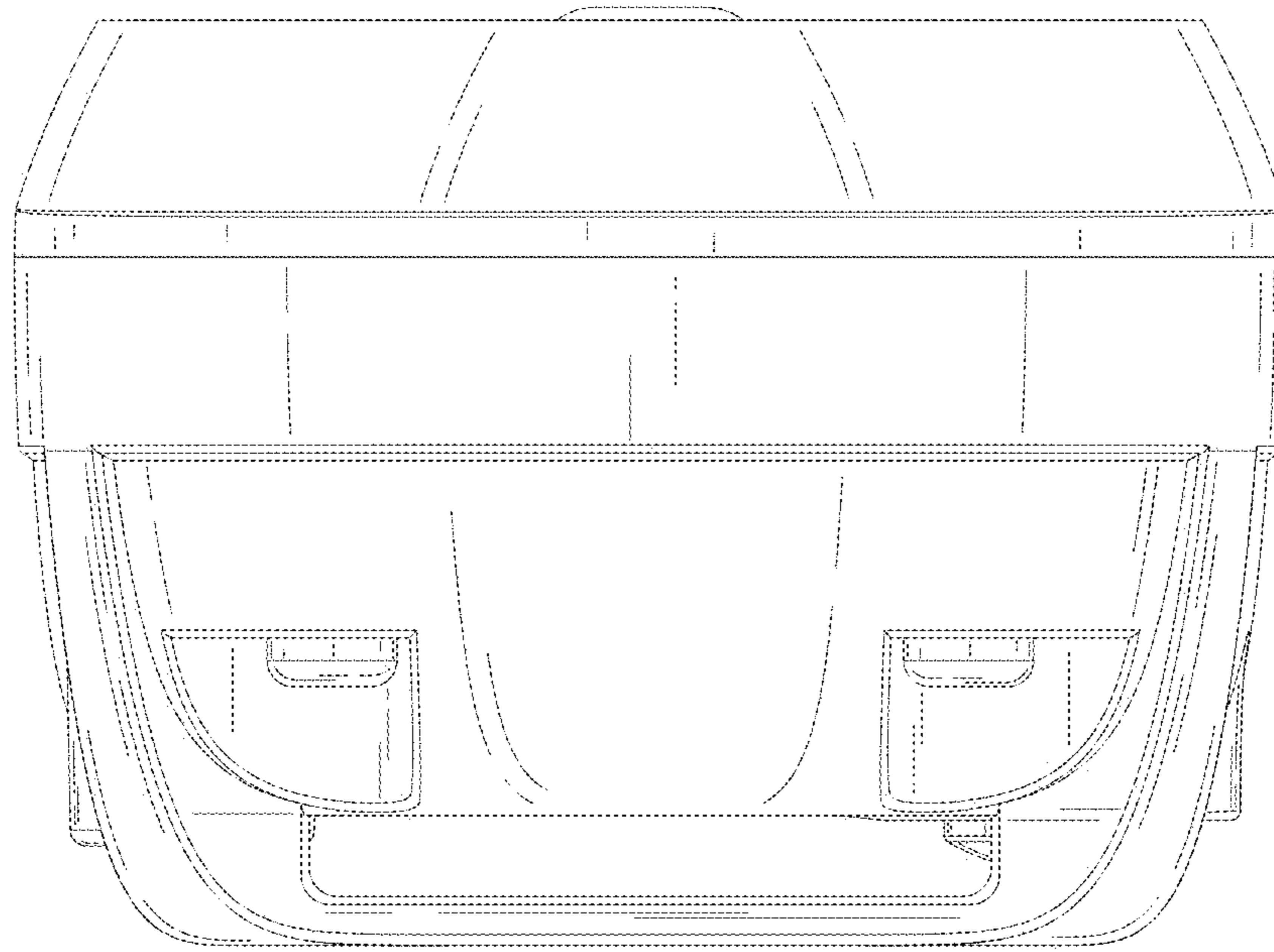


FIG. 8