



US00D987216S

(12) **United States Design Patent** (10) **Patent No.:** **US D987,216 S**
Zhao (45) **Date of Patent:** **** May 23, 2023**

(54) **SAFETY GATE FOR PET**

(71) Applicant: **Xianyi Zhao**, Henan (CN)

(72) Inventor: **Xianyi Zhao**, Henan (CN)

(**) Term: **15 Years**

(21) Appl. No.: **29/795,107**

(22) Filed: **Jun. 16, 2021**

(51) **LOC (14) Cl.** **30-03**

(52) **U.S. Cl.**

USPC **D30/199**; D30/119; D30/108

(58) **Field of Classification Search**

USPC D30/199, 108, 119; 160/40-43, 13, 15, 160/17, 87, 94-103, 105-107, 24, 10, 160/296, 305, 309, 313, 301, 315, 323.1, 160/293.1, 23.1, 317, 231.1, 290.1, 302, 160/211, 217, 218, 225, 130, 135; 49/9, 49/58-66, 128-130, 147; 119/416, 426, 119/512-514, 499, 452, 474, 484, 498, 119/502; 256/24, 1, 25, 73, 67, 26, 45, 256/33, 5, 21, 32, 19, 65.01, 31; 340/573.4; D25/38, 50, 45, 119, 39, 42, D25/43, 38.1, 48.5; 16/236, 239, 366; 52/646; 292/137, 159, 175, 150, 145, 292/152, 302, 303, DIG. 29, DIG. 38, 292/DIG. 46

CPC .. A01K 1/0017; A01K 1/0023; A01K 1/0029; A01K 1/035; A01K 3/00; E06B 9/0638; E06B 9/00; E06B 9/01; E06B 9/02; E06B 9/04; E06B 9/08; E06B 9/11; E06B 9/115; E06B 9/15; E06B 9/40; E06B 9/0692; E06B 2009/002; E06B 2009/135; E06B 11/02; E06B 11/04; E05B 65/0014; E05B 65/0007

See application file for complete search history.

(56) **References Cited**

U.S. PATENT DOCUMENTS

6,176,042 B1 * 1/2001 Rossman E06B 9/04
49/57
7,334,624 B2 * 2/2008 Waldman E05C 1/10
160/144

8,448,381 B2 * 5/2013 Flannery E06B 7/32
8,745,922 B1 * 6/2014 Matsuda E05C 19/006
49/269
9,458,668 B1 * 10/2016 Flannery E06B 9/04
11,162,300 B1 * 11/2021 Flannery E05C 3/167
11,371,264 B2 * 6/2022 Zhang E05B 65/0007
11,466,512 B2 * 10/2022 Morris E05B 1/0046
2006/0081826 A1 * 4/2006 Cheng E06B 9/04
256/22
2006/0175028 A1 * 8/2006 Askinasi E06B 9/02
160/225

(Continued)

Primary Examiner — Susan Moon Lee

(74) *Attorney, Agent, or Firm* — ScienBiziP, P.C.

(57) **CLAIM**

The ornamental design for a safety gate for pet, as shown and described.

DESCRIPTION

FIG. 1 is a front, right, and top perspective view of a safety gate for pet, showing my design.

FIG. 2 is a front elevation view thereof.

FIG. 3 is a rear elevation view thereof.

FIG. 4 is a left side elevation view thereof.

FIG. 5 is a right side elevation view thereof.

FIG. 6 is a top plan view thereof.

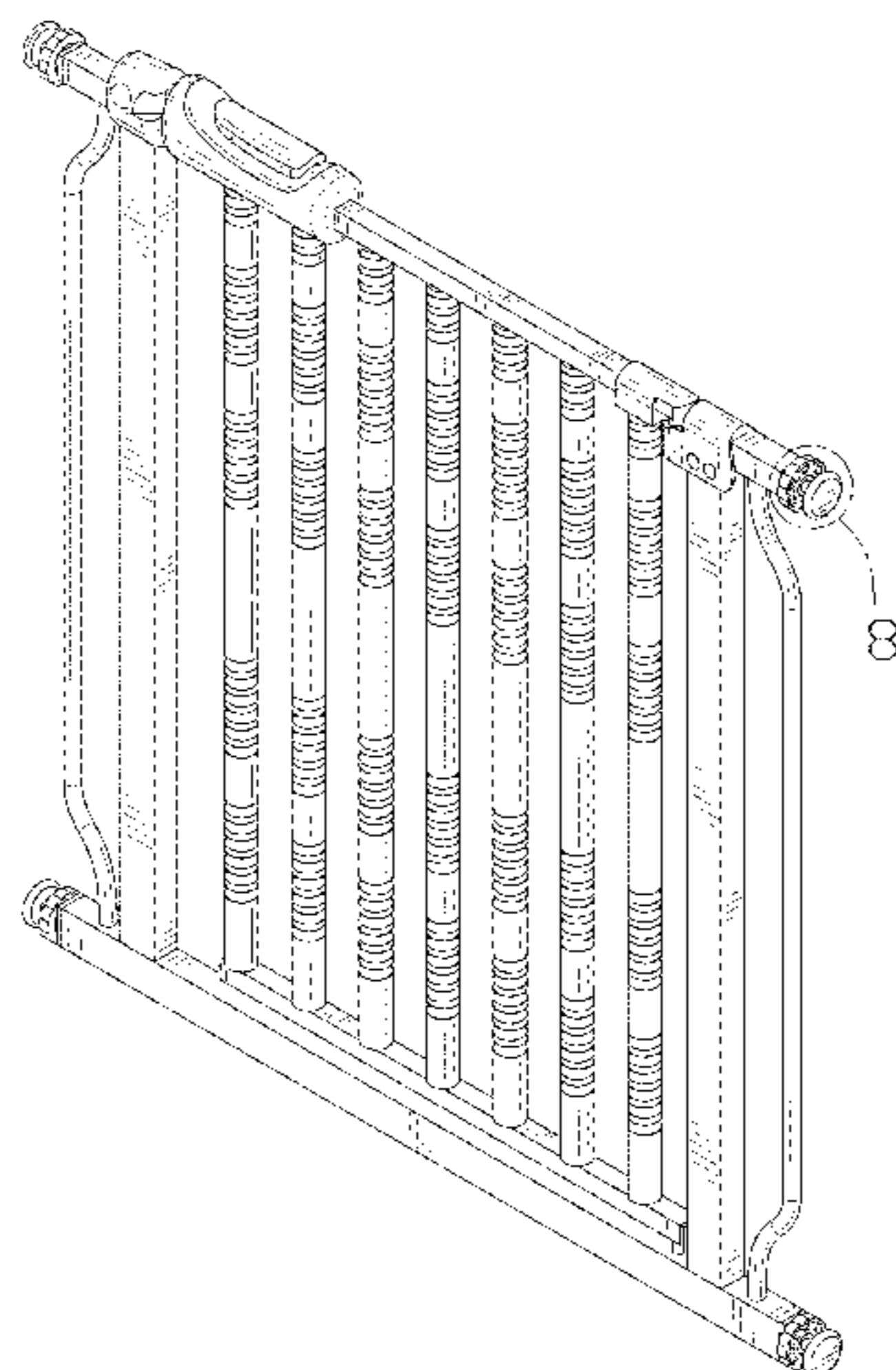
FIG. 7 is a bottom plan view thereof; and,

FIG. 8 is a partial enlarged view of the area labelled “8” in FIG. 1.

The broken lines shown in the drawings are included for the purpose of illustrating portions of the safety gate for pet that form no part of the claimed design.

The dot-dash lines are used to indicate the area of the enlargement portion of the safety gate for pet, and form no part of the design claim.

1 Claim, 8 Drawing Sheets



(56)

References Cited

U.S. PATENT DOCUMENTS

2007/0294944 A1* 12/2007 Pedersen E06B 9/04
49/50
2008/0104888 A1* 5/2008 Holmes E06B 9/02
49/70
2012/0255234 A1* 10/2012 Wang E06B 9/04
49/394
2013/0125470 A1* 5/2013 Dunn E05B 1/00
49/504
2013/0221304 A1* 8/2013 Wang E04H 17/013
256/73
2016/0069113 A1* 3/2016 Birkert E06B 11/04
49/195
2017/0350165 A1* 12/2017 Schort E05B 65/0007
2018/0112457 A1* 4/2018 Raffi E05C 19/06
2018/0148954 A1* 5/2018 Raffi E05B 59/00

* cited by examiner

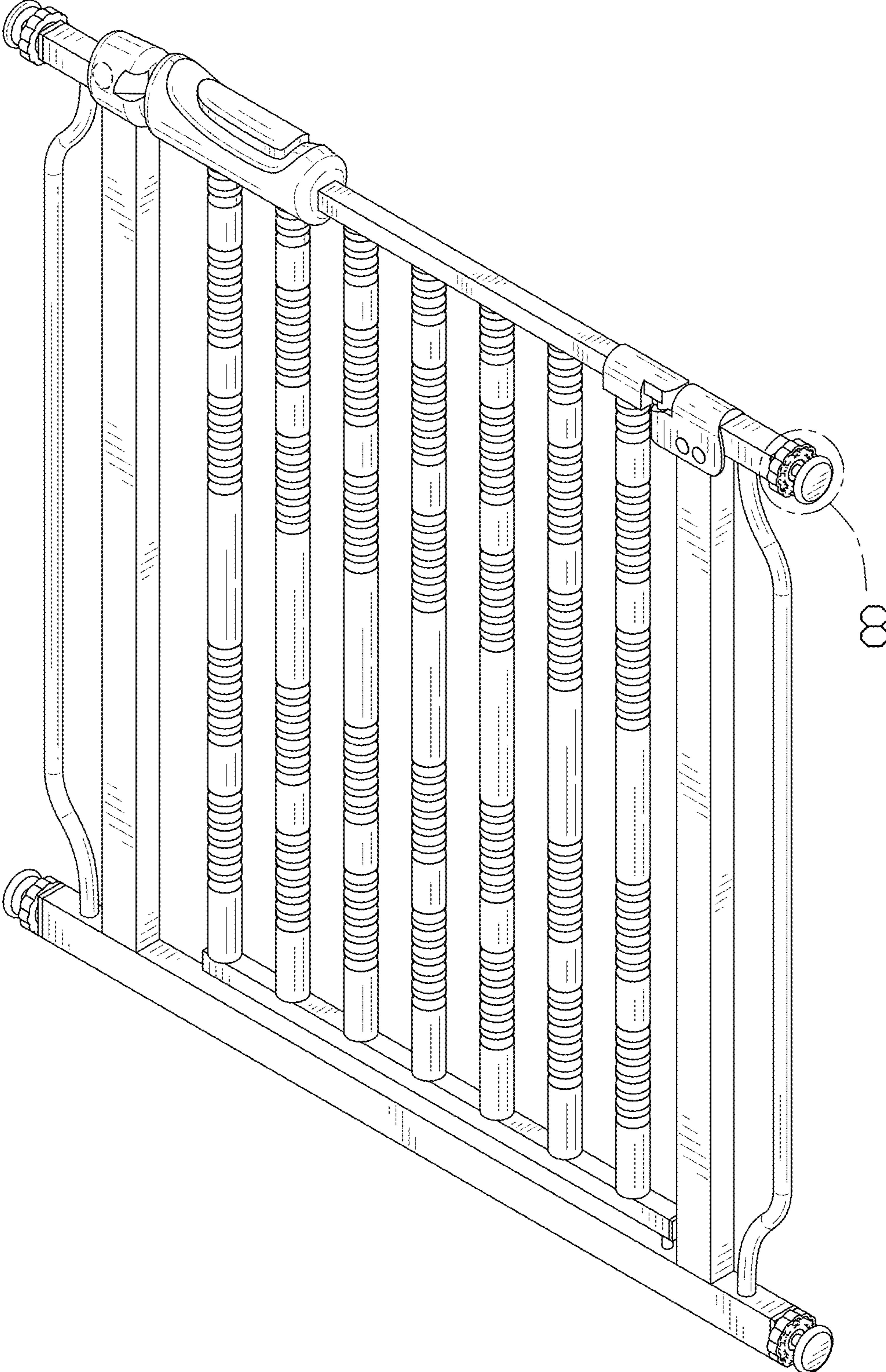


FIG. 1

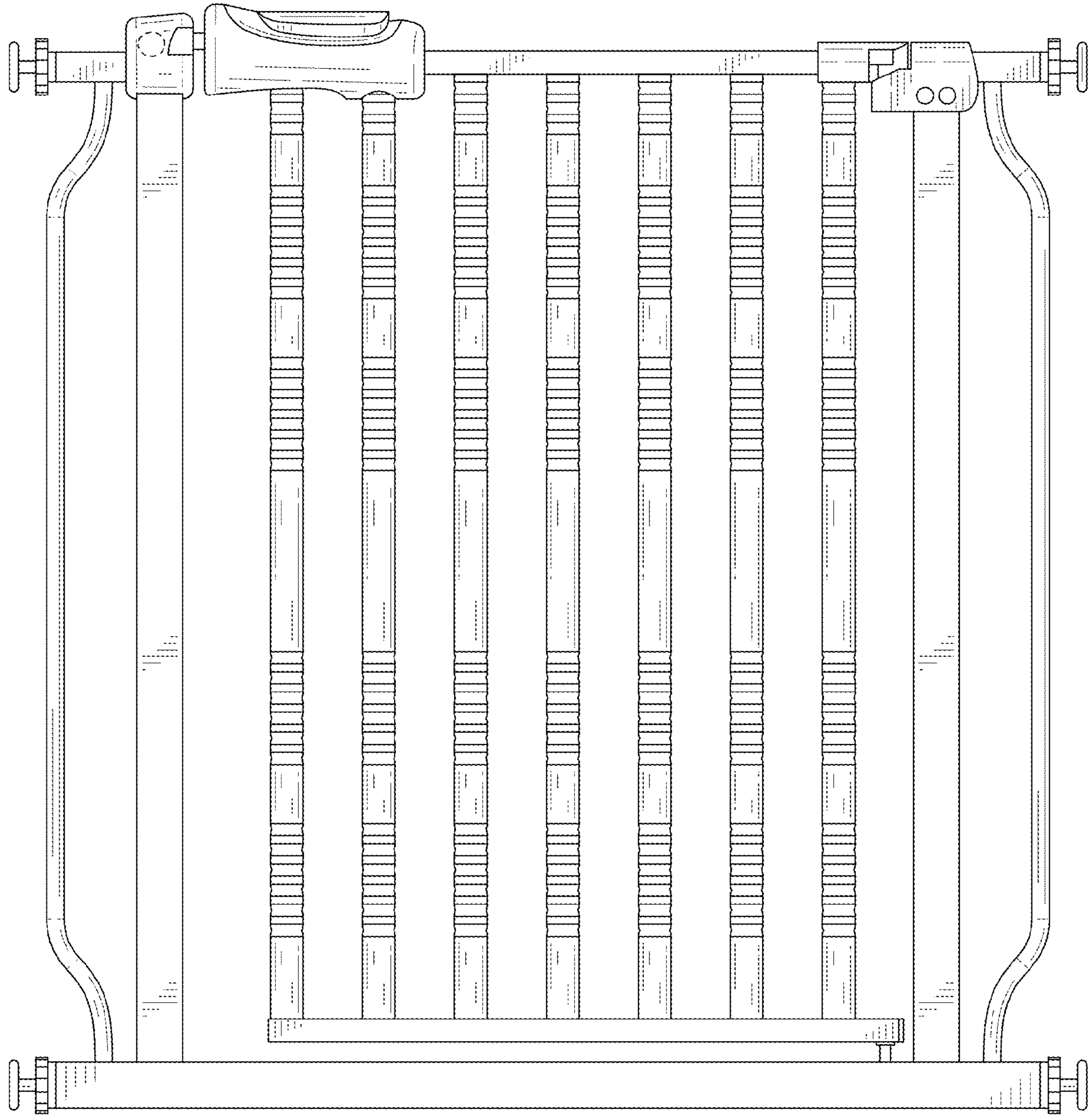


FIG. 2

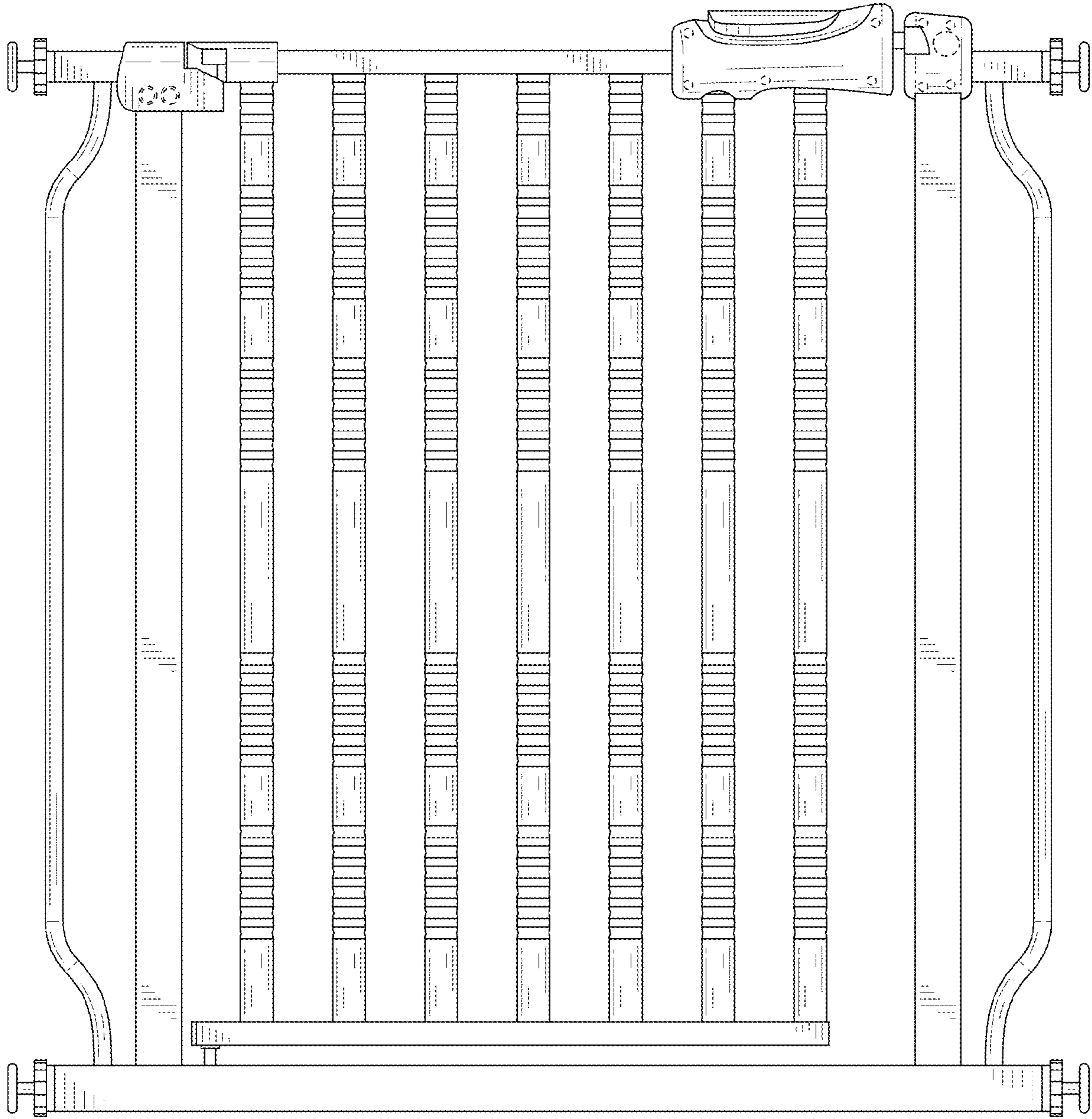


FIG. 3

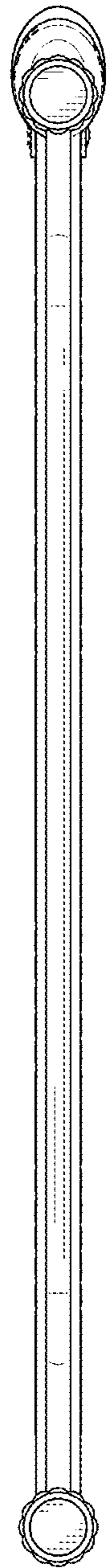


FIG. 4

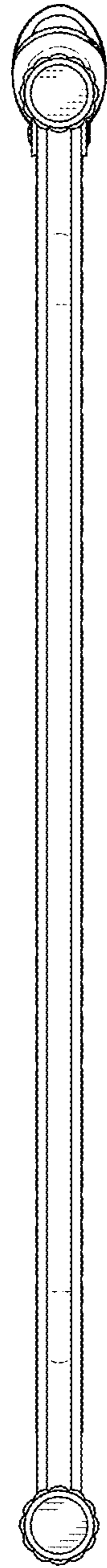


FIG. 5

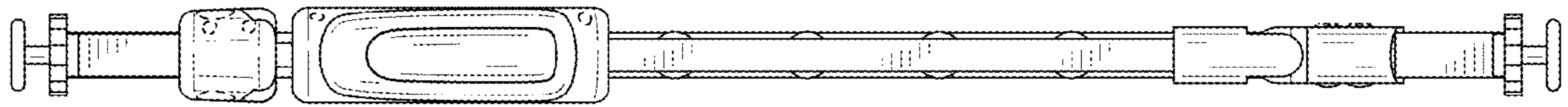


FIG. 6

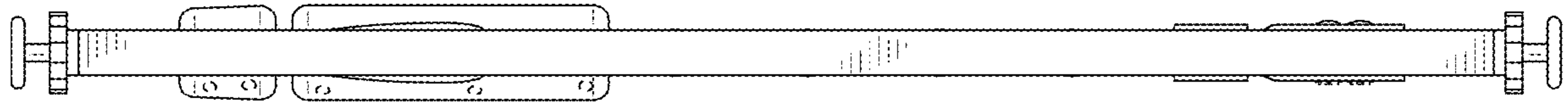


FIG. 7

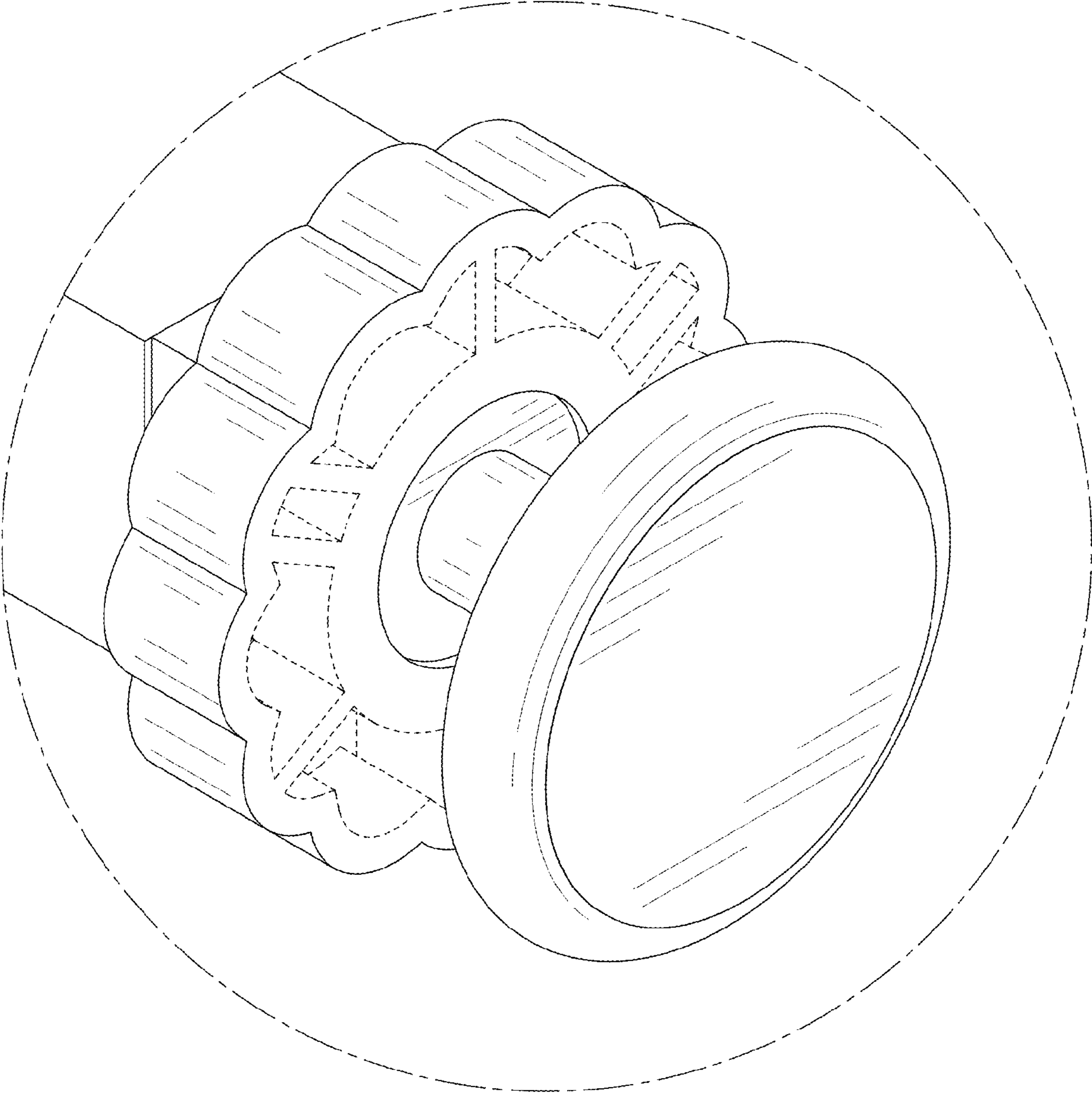


FIG. 8