



US00D987213S

(12) **United States Design Patent**
Gong et al.

(10) **Patent No.:** **US D987,213 S**

(45) **Date of Patent:** **** May 23, 2023**

(54) **PET TABLE**

(71) Applicant: **JIANGSU ERLANGSHEN PLASTIC CO., LTD**, Yangzhou (CN)

(72) Inventors: **Yuan Gong**, Yangzhou (CN); **ChengYa Miao**, Yangzhou (CN)

(**) Term: **15 Years**

(21) Appl. No.: **29/845,177**

(22) Filed: **Jul. 5, 2022**

(51) **LOC (14) Cl.** **30-03**

(52) **U.S. Cl.**
USPC **D30/129**

(58) **Field of Classification Search**
USPC D30/121–133; D6/349, 336, 664, 686,
D6/691; D7/555, 565, 602, 403, 507,
D7/570; D9/761
CPC A01K 7/005; A01K 5/0121; A01K 5/0128;
A01K 5/01; A01K 5/0107; A01K 5/0114;
A01K 39/014

See application file for complete search history.

(56) **References Cited**

U.S. PATENT DOCUMENTS

D340,552 S *	10/1993	Smith	D30/121
D374,513 S	10/1996	Pringle		
D374,517 S *	10/1996	Morrill	D30/133
D375,818 S	11/1996	Fischer		
D377,244 S *	1/1997	Steininger	D30/133
D412,377 S *	7/1999	Sharon	D30/130
D414,303 S *	9/1999	Sharon	D30/130
D446,611 S *	8/2001	Gunter	119/51.01
D477,691 S	7/2003	Crowley		
D561,408 S *	2/2008	Marsh	D30/130
7,341,019 B1 *	3/2008	Tsengas	A01K 7/005 119/61.5
D577,466 S *	9/2008	Shamoon	D30/129
D653,001 S *	1/2012	Tsengas	D30/131
D662,674 S *	6/2012	Tsengas	D30/131

D701,006 S *	3/2014	Gilkey	D30/129
D710,550 S *	8/2014	Elliott	D30/133
D724,276 S *	3/2015	Zelinger	D30/130
9,288,967 B1 *	3/2016	Wampler	A01K 7/00
D777,993 S *	1/2017	Green	D30/131
9,668,455 B1 *	6/2017	Carmichael	A01K 5/0135
D793,780 S *	8/2017	Wu	D6/691
D830,647 S *	10/2018	Le	D30/131

(Continued)

Primary Examiner — Sheryl Lane
Assistant Examiner — Aula Soroush

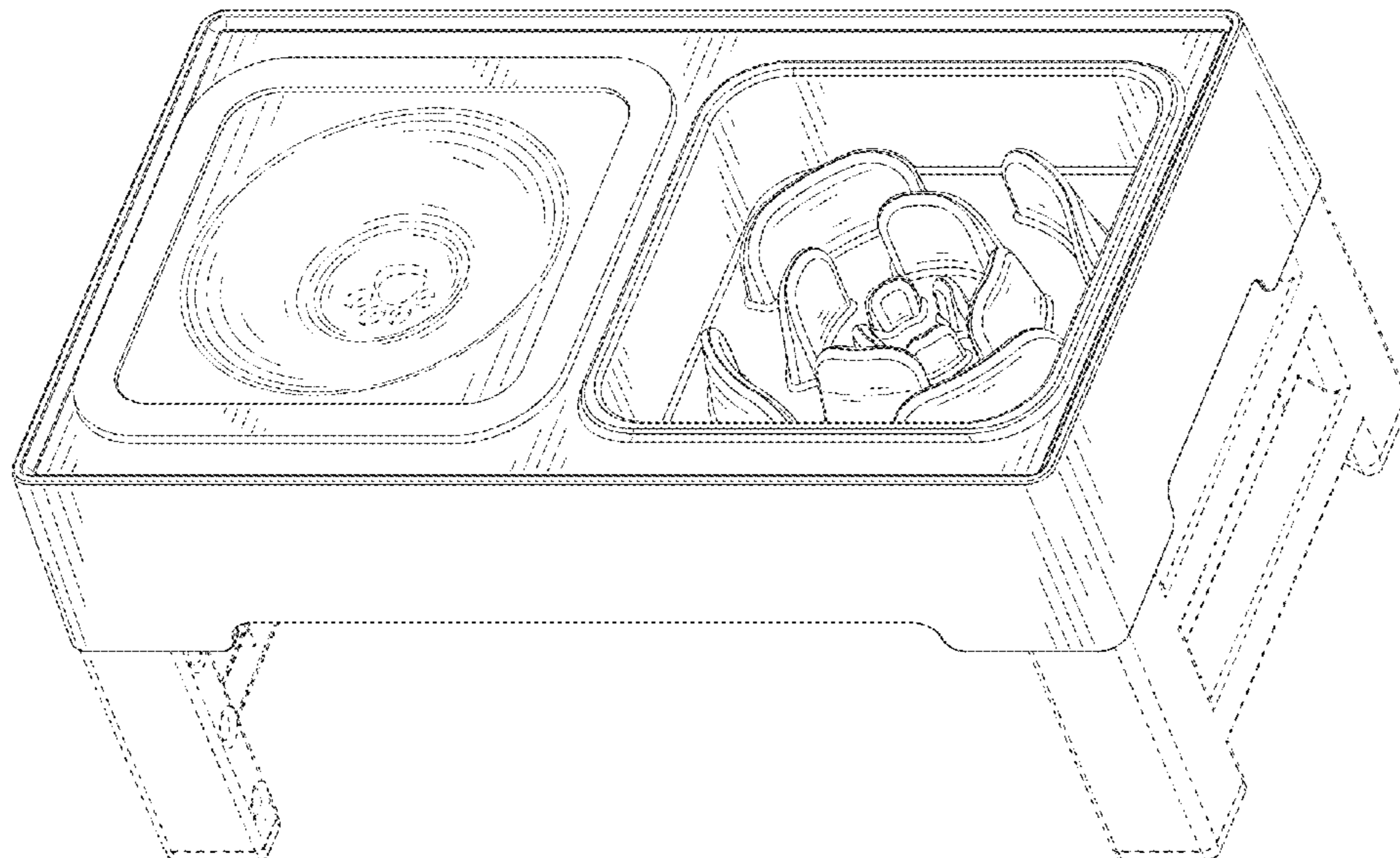
(57) **CLAIM**

The ornamental design for a pet table, as shown and described.

DESCRIPTION

FIG. 1 is a front, right and top perspective view of a first embodiment of a pet table showing my design.
 FIG. 2 is a rear, left and bottom perspective view of a first embodiment of a pet table showing my design.
 FIG. 3 is a front elevation view thereof.
 FIG. 4 is a rear elevation view thereof.
 FIG. 5 is a left-side elevation view thereof.
 FIG. 6 is a right-side elevation view thereof.
 FIG. 7 is a top plan view thereof.
 FIG. 8 is a bottom plan view thereof.
 FIG. 9 is a front, right and top perspective view of a second embodiment of a pet table showing my design.
 FIG. 10 is a rear, left and bottom perspective view of a second embodiment of a pet table showing my design.
 FIG. 11 is a front, right and top perspective view of a third embodiment of a pet table showing my design; and,
 FIG. 12 is a rear, left and bottom perspective view of a third embodiment of a pet table showing my design.
 The broken lines are included for the purposes of illustrating portions of the pet table that form no part of the claimed design.

1 Claim, 12 Drawing Sheets



(56)

References Cited

U.S. PATENT DOCUMENTS

D846,816	S *	4/2019	Tsengas	A01K 7/00	
						D30/131
D896,448	S *	9/2020	Sharer	D30/133	
D903,209	S *	11/2020	Jiang	D30/133	
D933,311	S *	10/2021	Jiang	D30/131	
D962,558	S *	8/2022	Yang	D30/131	
2005/0115508	A1 *	6/2005	Little	A01K 5/0114	
						119/61.5
2008/0190372	A1 *	8/2008	Horvath	A01K 5/0114	
						119/61.5
2010/0162961	A1 *	7/2010	Hove	A01K 7/00	
						119/51.5

* cited by examiner

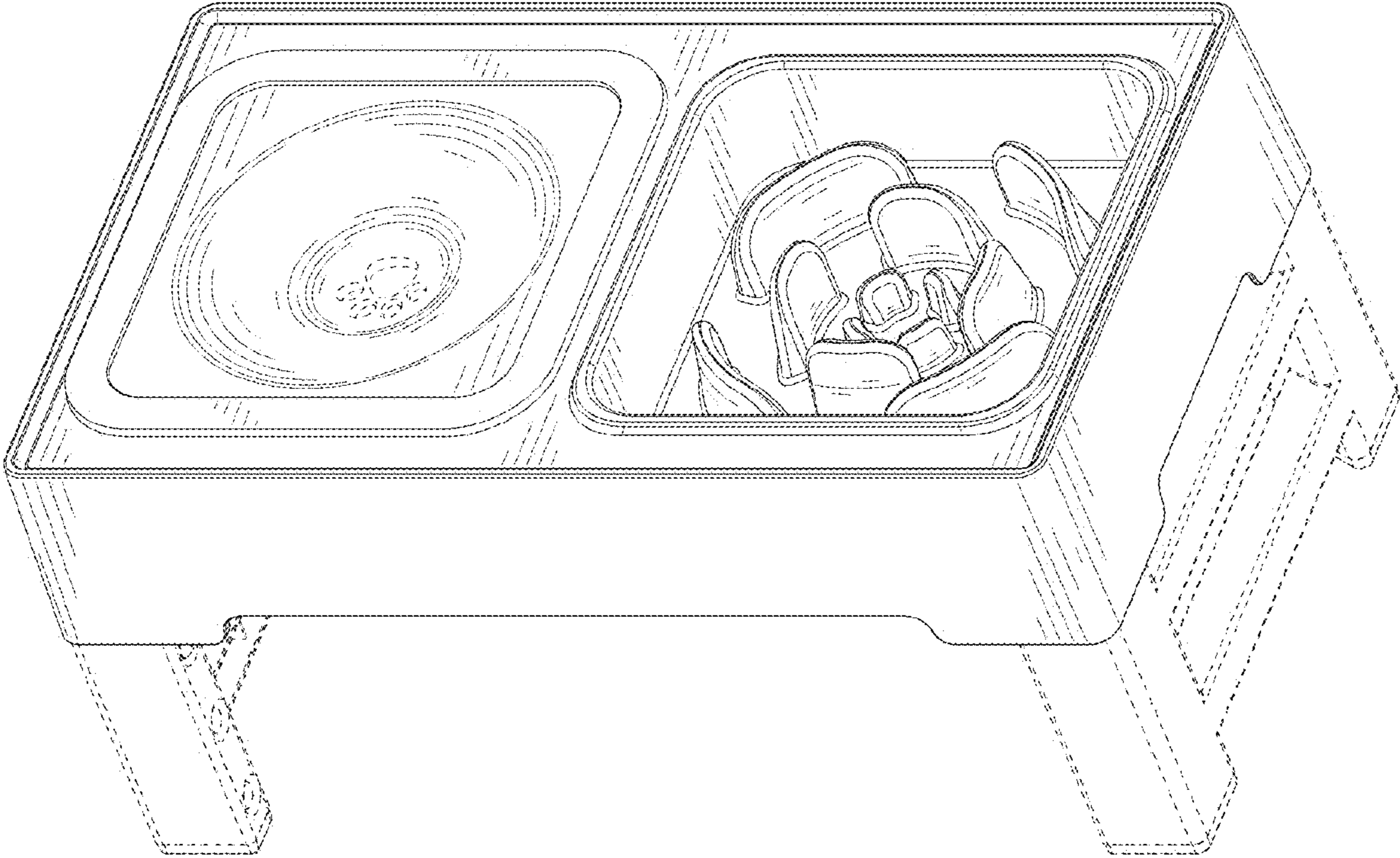


FIG. 1

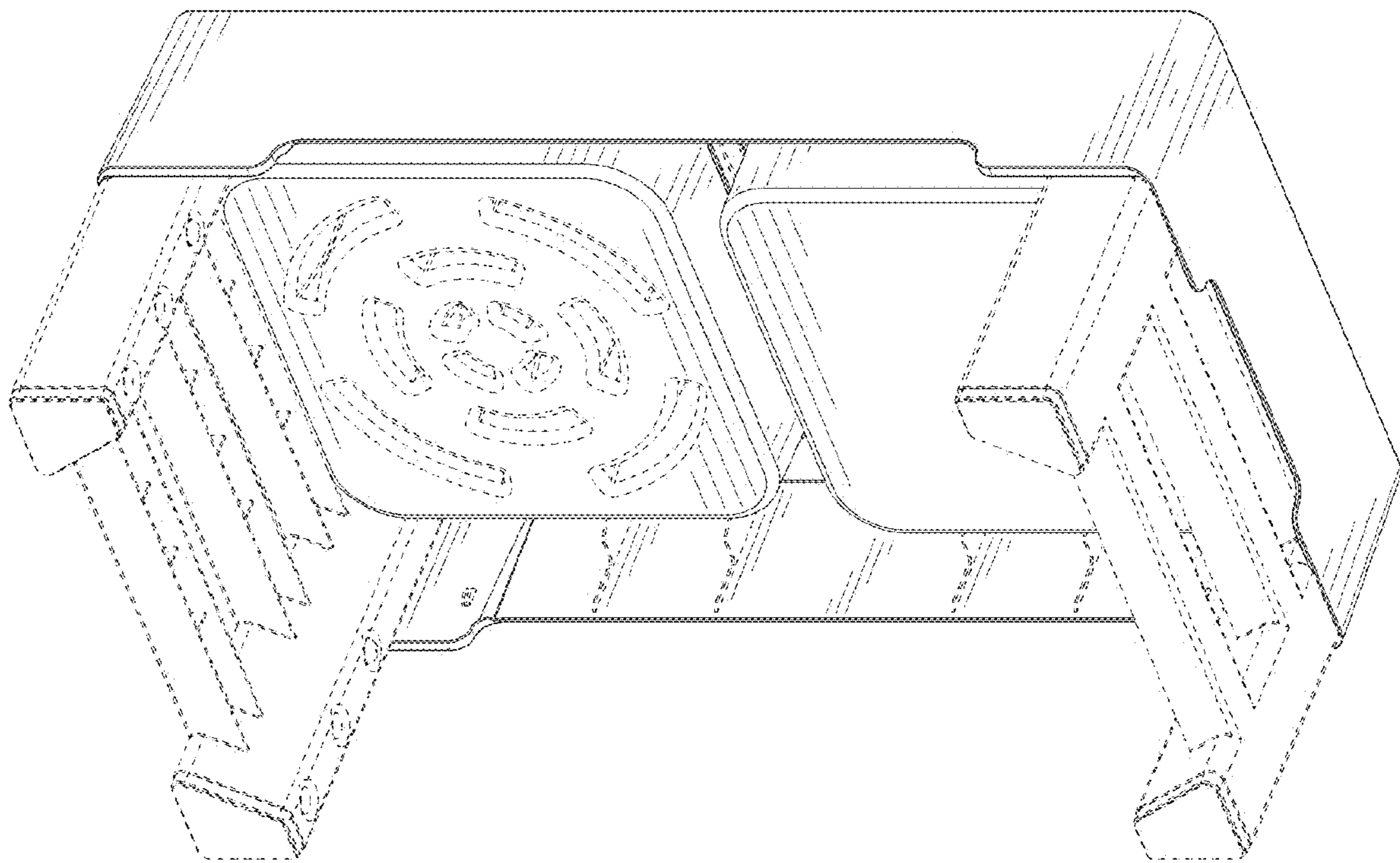


FIG. 2

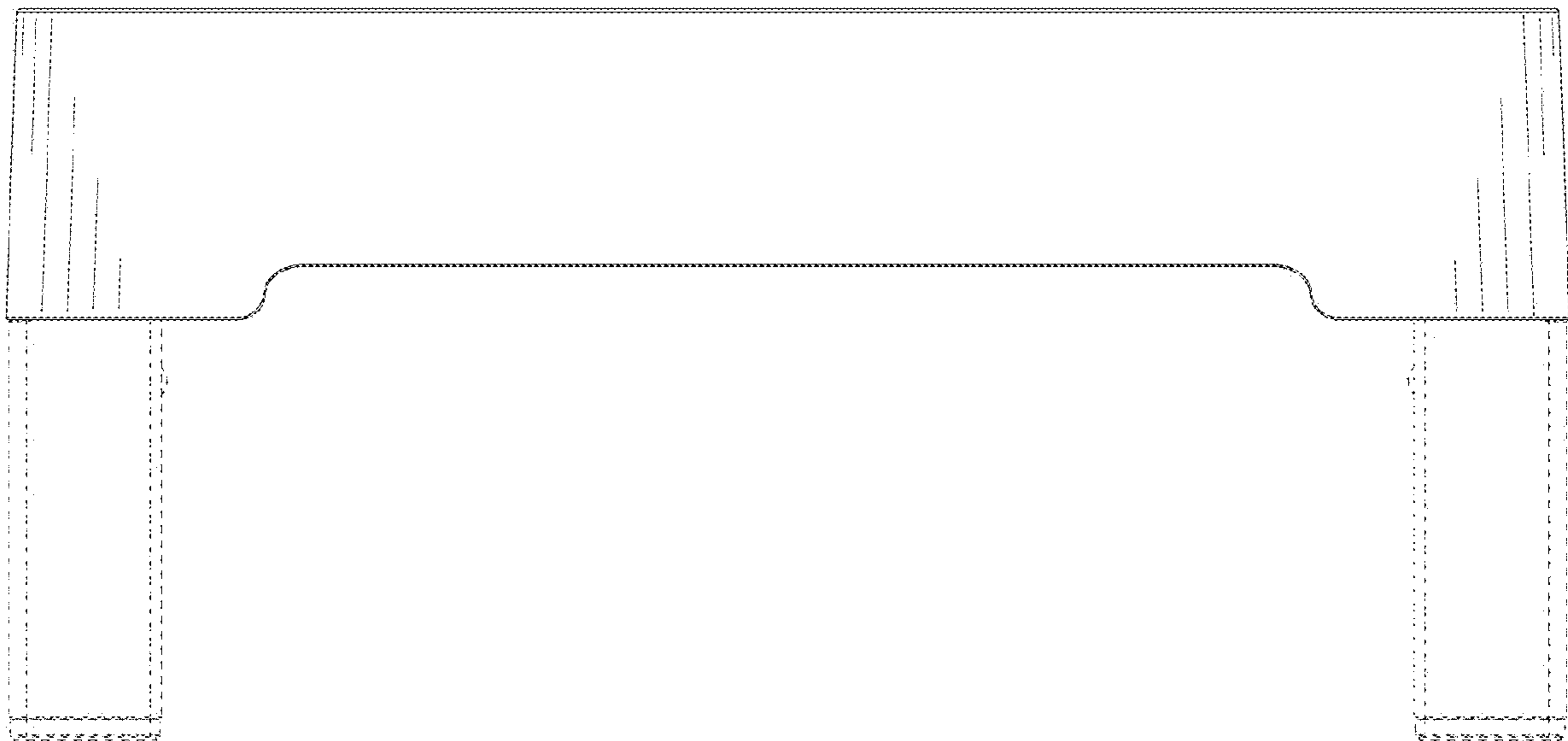


FIG. 3

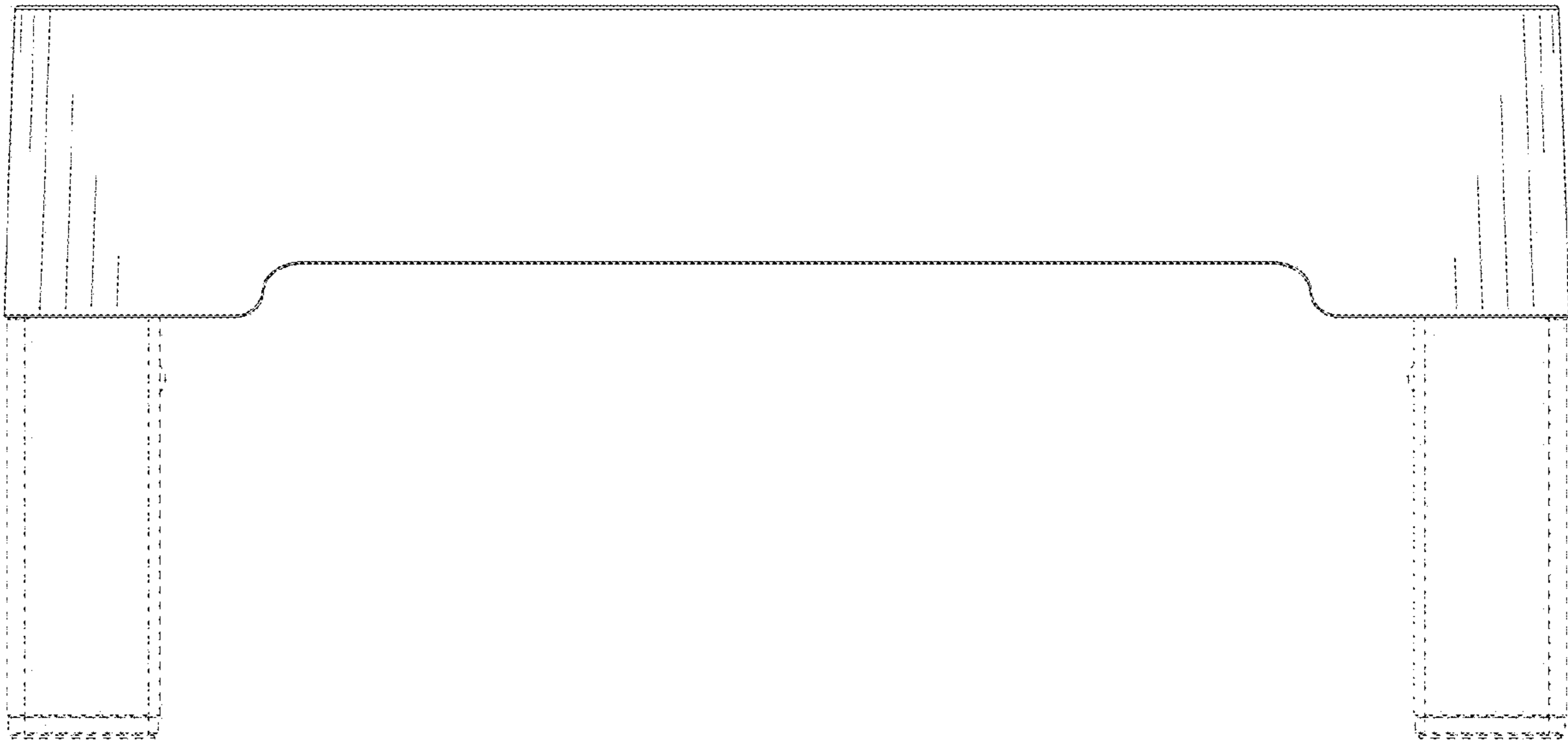


FIG. 4

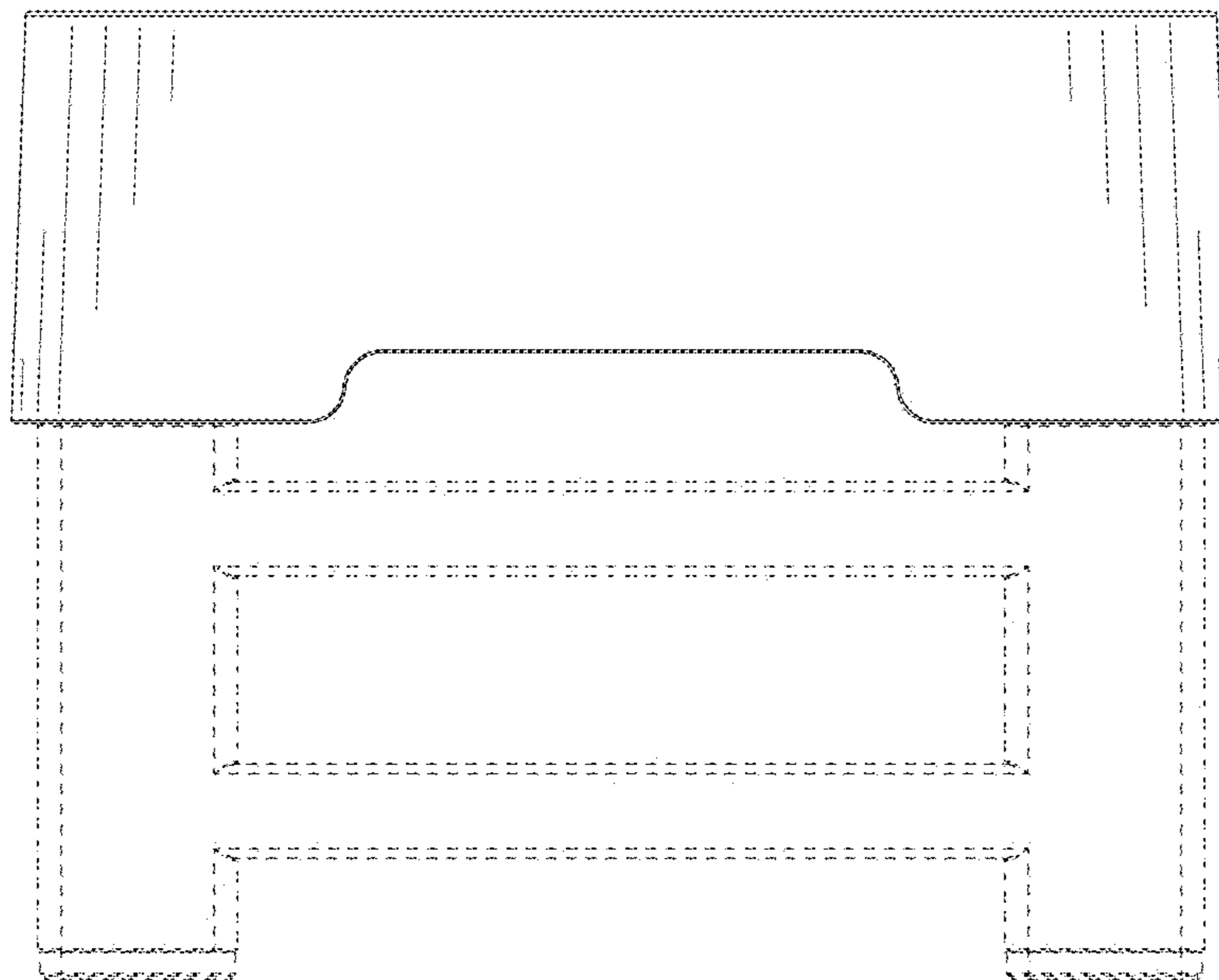


FIG. 5

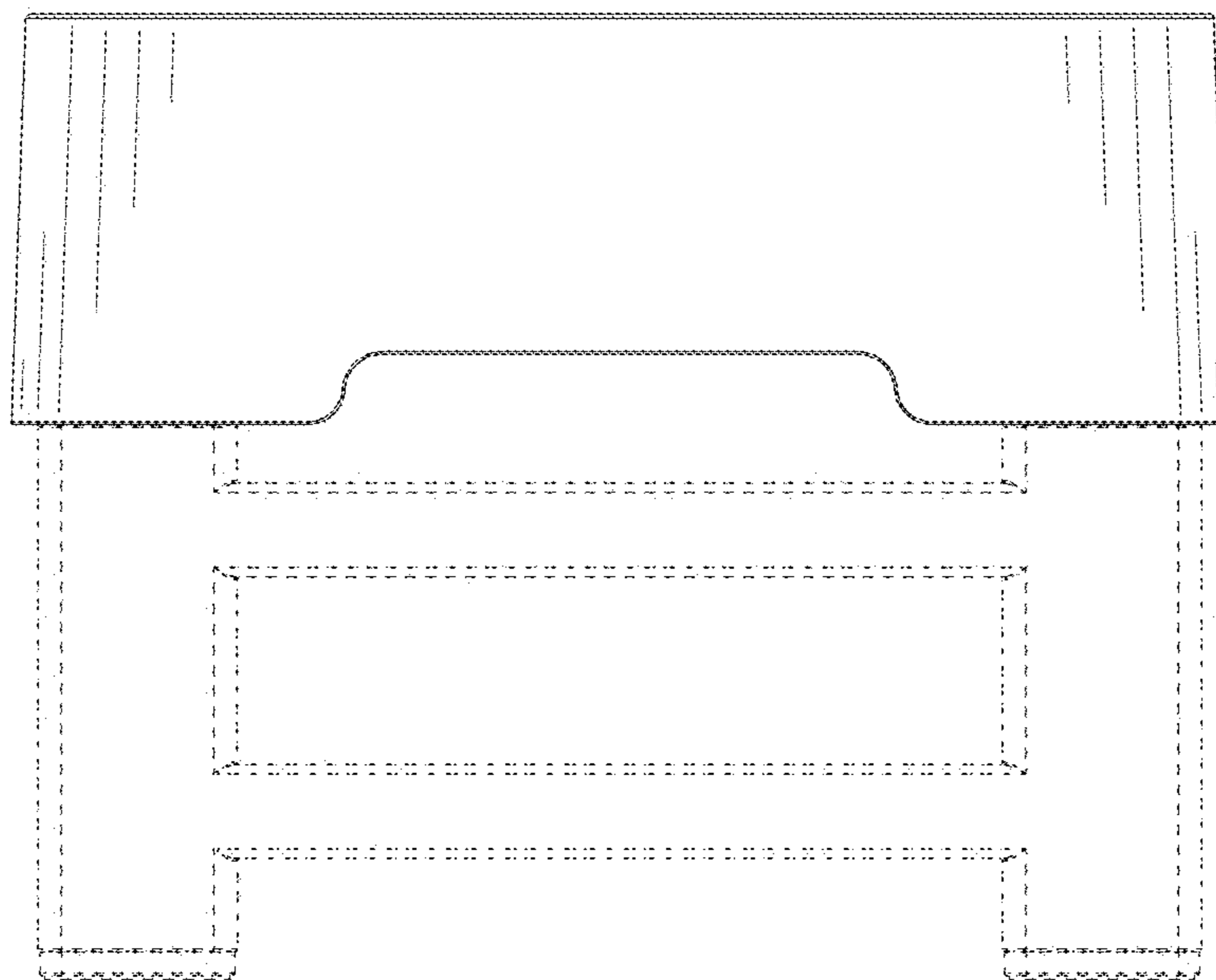


FIG. 6

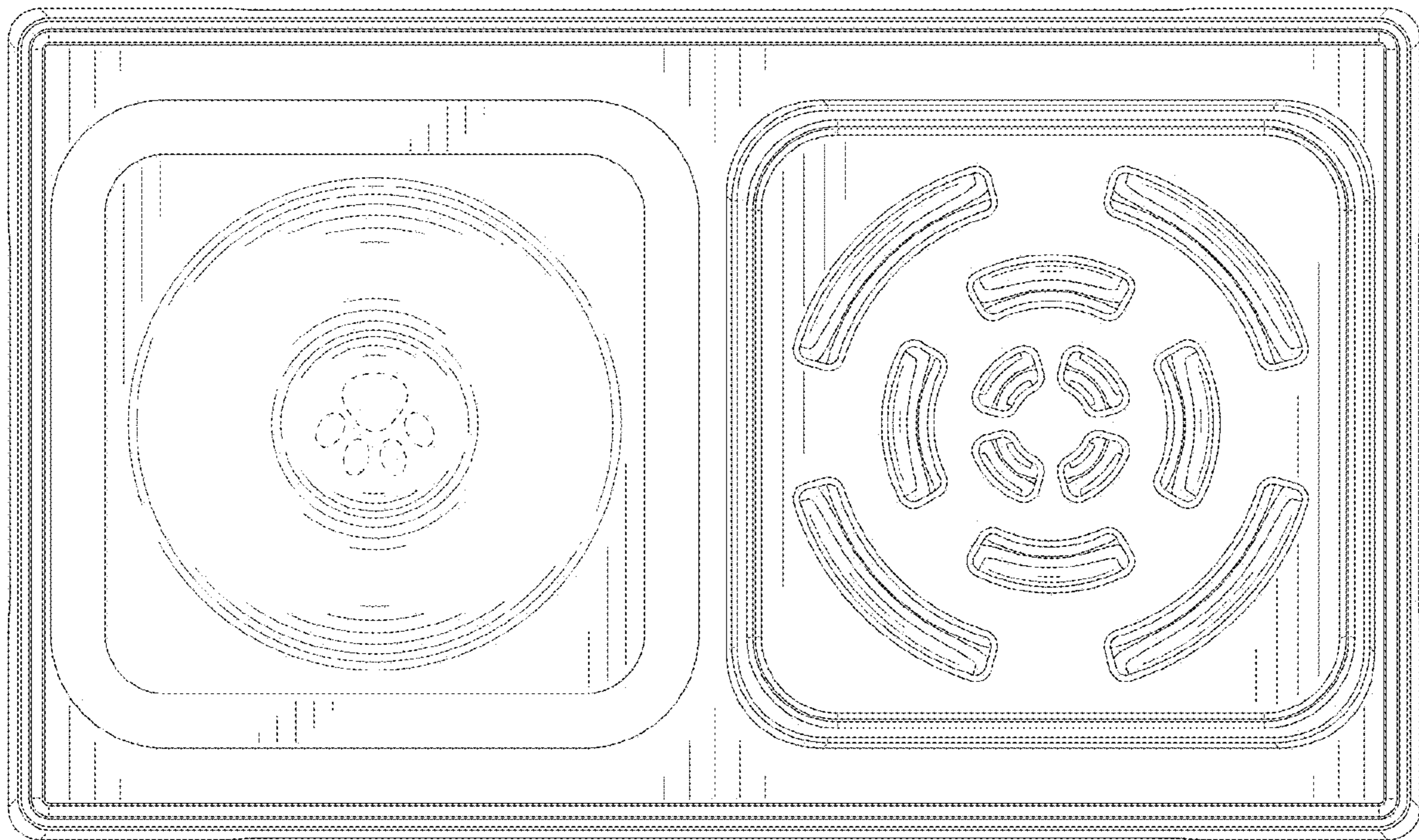


FIG. 7

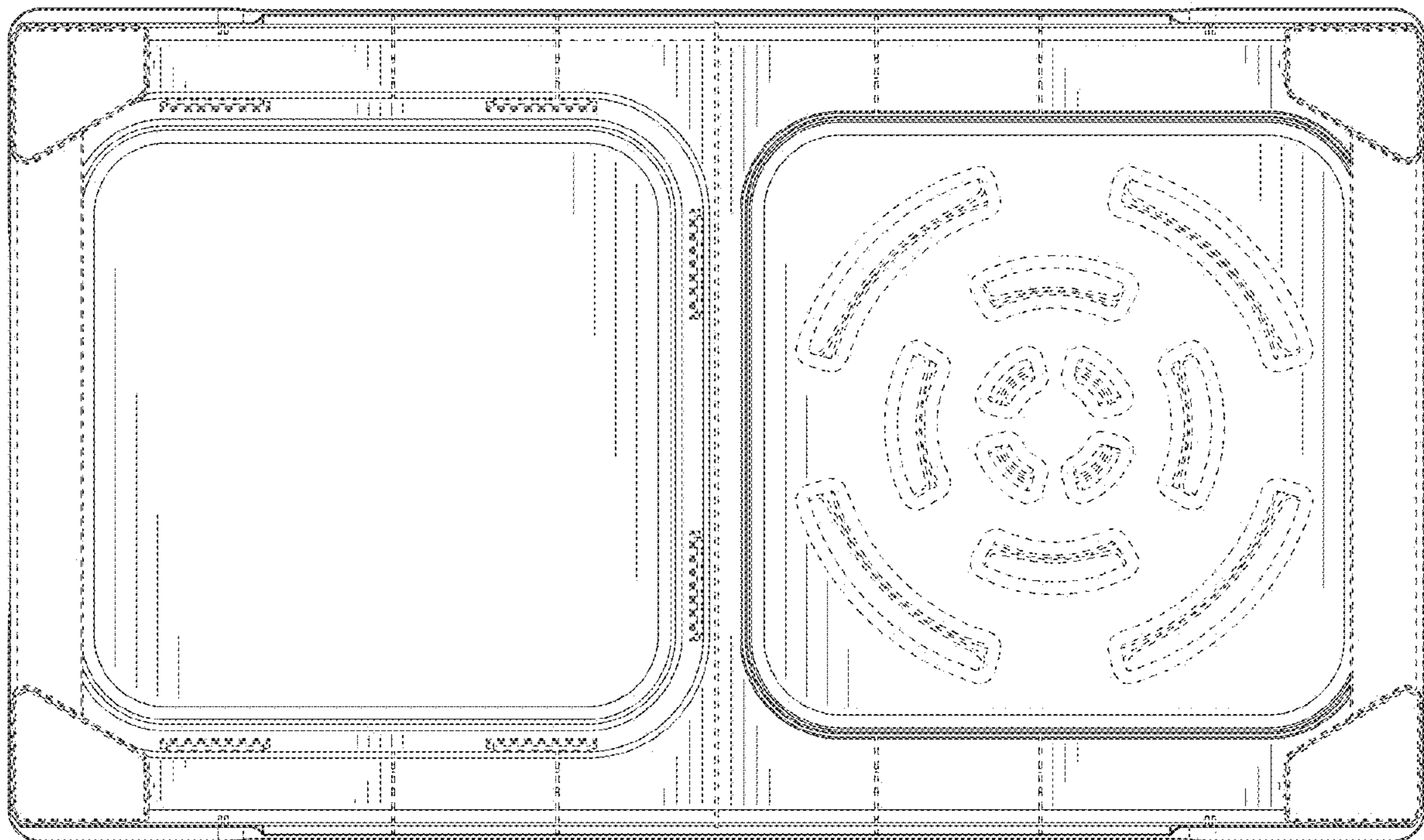


FIG. 8

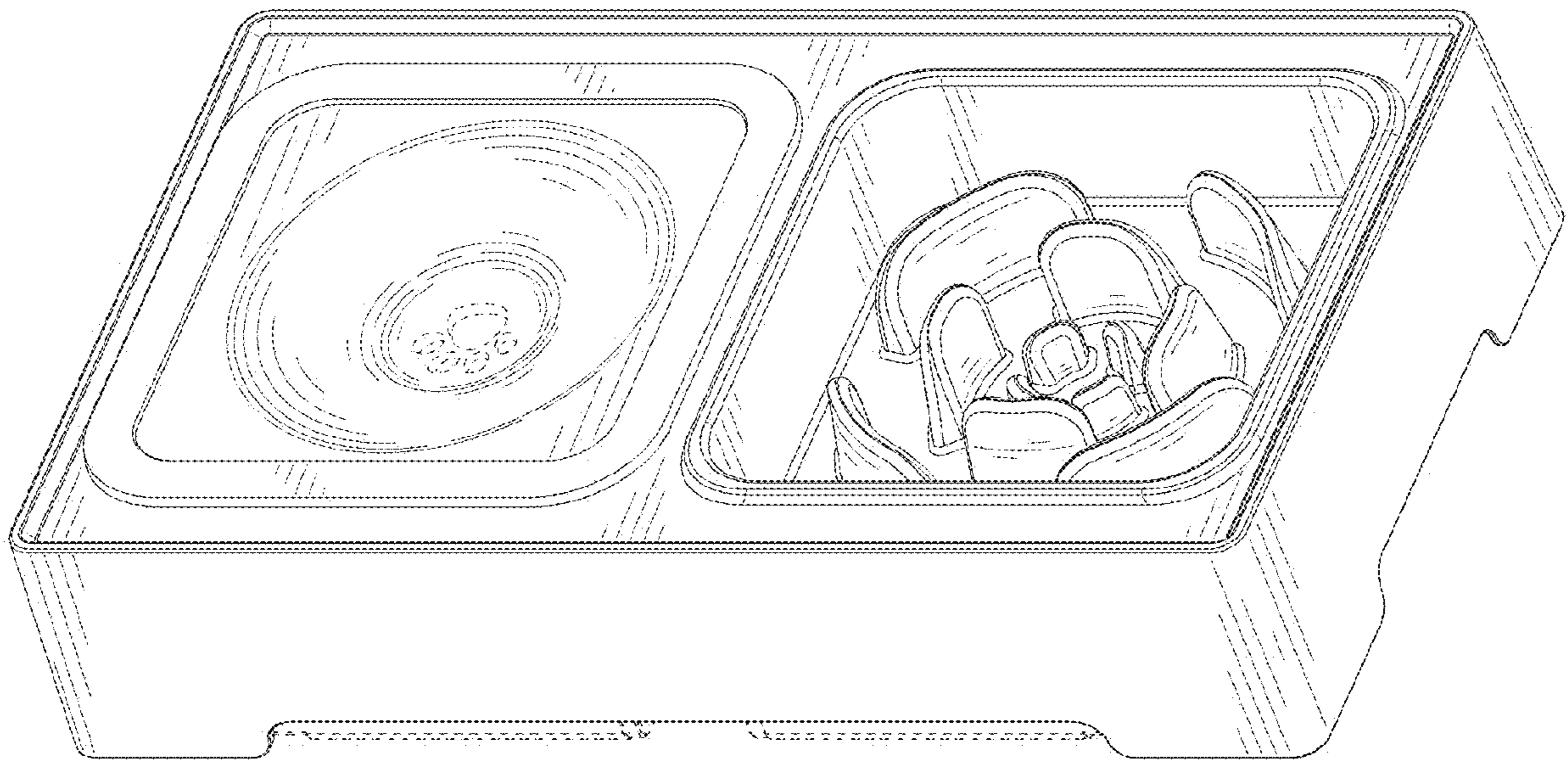


FIG. 9

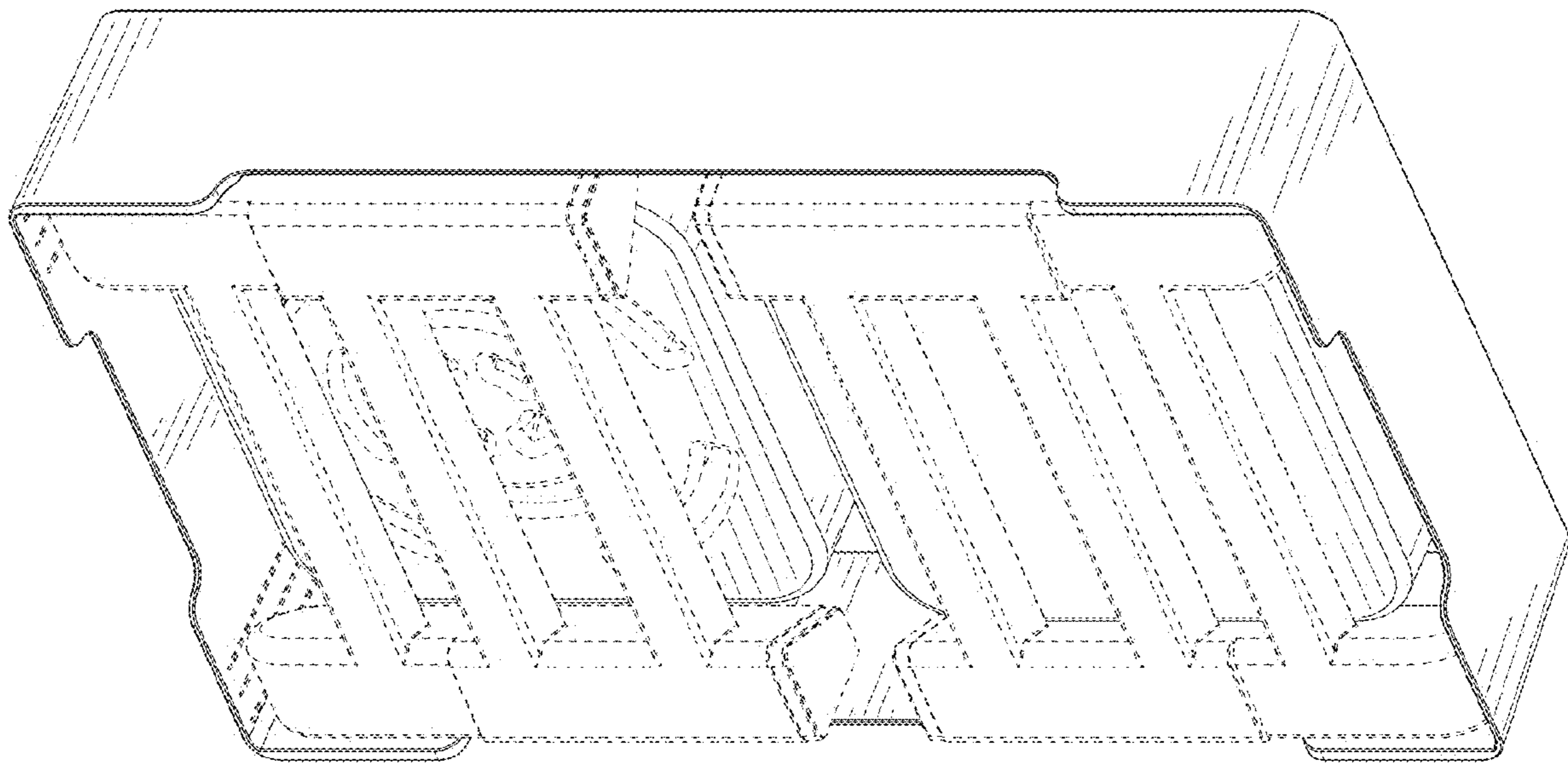


FIG. 10

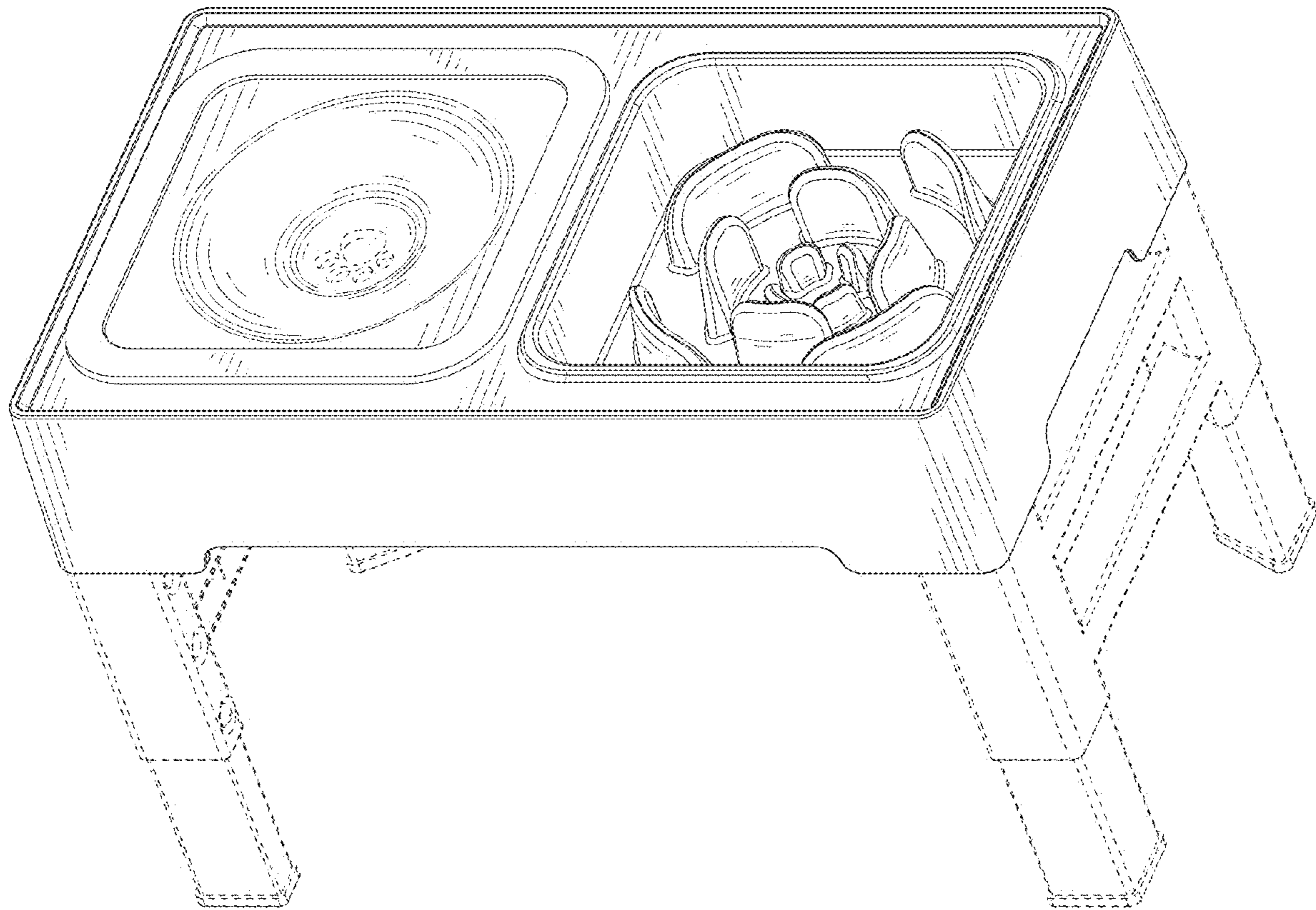


FIG. 11

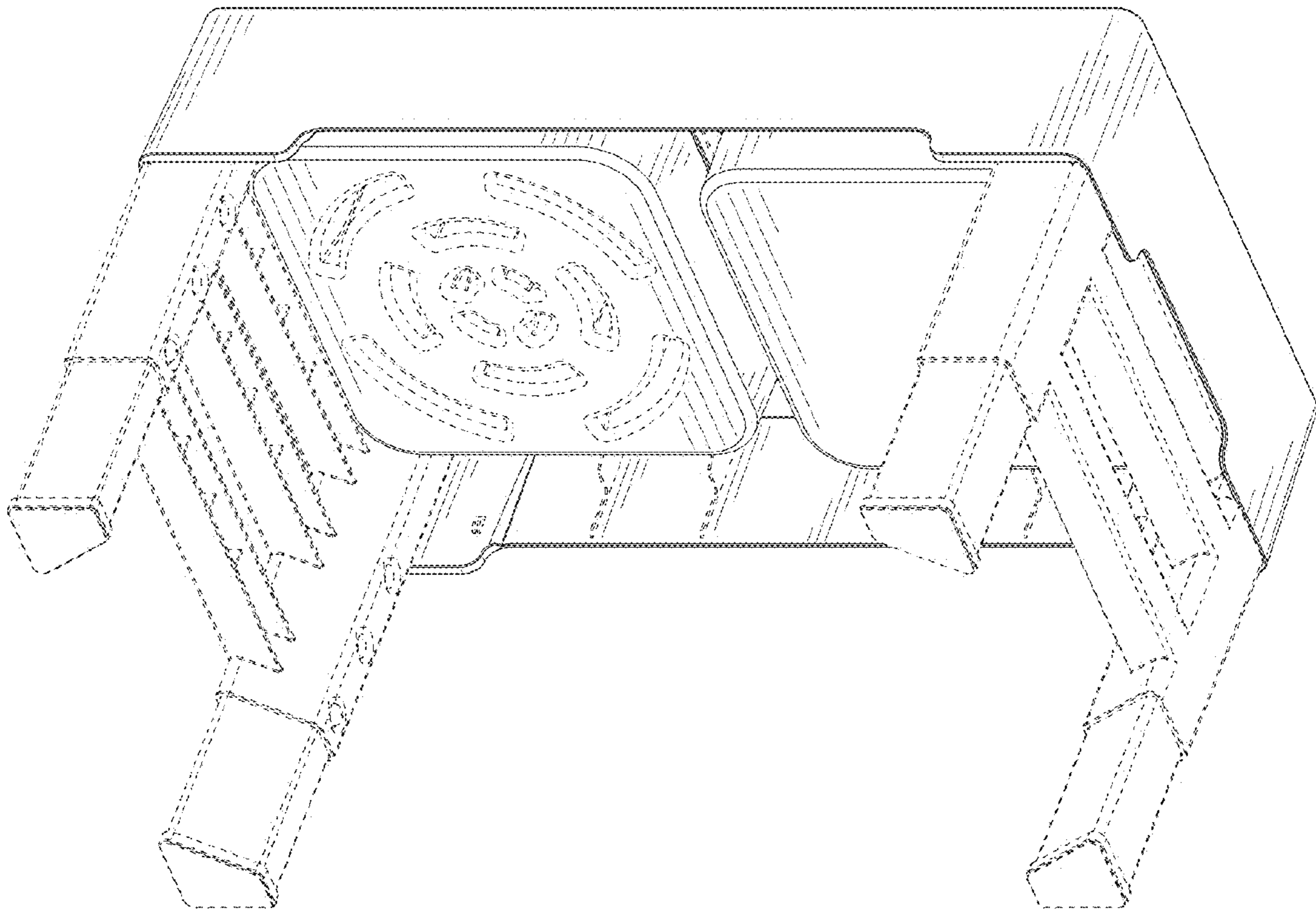


FIG. 12