



US00D987211S

(12) **United States Design Patent**  
**De Boeck**

(10) **Patent No.:** **US D987,211 S**

(45) **Date of Patent:** **\*\* May 23, 2023**

(54) **PET ACCESSORY**

(71) Applicant: **Rolf C. Hagen Inc.**, Baie d'Urfé (CA)

(72) Inventor: **Vincent De Boeck**, Putte (BE)

(73) Assignee: **Rolf C. Hagen Inc.**, Baie d'Urfé (CA)

(\*\*) Term: **15 Years**

(21) Appl. No.: **29/829,510**

(22) Filed: **Mar. 4, 2022**

**Related U.S. Application Data**

(62) Division of application No. 29/731,534, filed on Apr. 15, 2020, now Pat. No. Des. 954,358.

(51) **LOC (14) Cl.** ..... **30-03**

(52) **U.S. Cl.**  
USPC ..... **D30/132**

(58) **Field of Classification Search**

USPC ..... D30/121, 122, 129-133, 199; 119/51.01, 119/51.02, 51.03, 51.11, 51.15, 51.5, 70, 119/52.1, 52.3, 52.4, 53, 53.5, 54, 57.92, 119/61.1, 61.3, 61.5, 61, 52, 61.53, 61.54, 119/61.55, 68, 72, 73, 74, 75, 78, 174; D16/219; D21/617

CPC . A01K 5/00; A01K 7/00; A01K 39/02; A01K 39/04; A01K 39/0213; A01K 5/0114; A01K 5/0121; A01K 5/0135; A01K 7/005

See application file for complete search history.

(56) **References Cited**

**U.S. PATENT DOCUMENTS**

D291,779 S	9/1987	Inaba	
D330,051 S	10/1992	Revell	
5,695,086 A	12/1997	Viola	
D401,475 S *	11/1998	Ritchey	D30/129
D417,681 S *	12/1999	Hayashi	D16/134
D485,999 S	2/2004	Bourget	

D503,617 S	4/2005	Roth et al.
D506,951 S	7/2005	Weiser
D508,768 S	8/2005	Safdieh
D515,352 S	2/2006	Roth et al.
D521,792 S	5/2006	Keller
D526,121 S	8/2006	Nip
D532,059 S	11/2006	Boutin
D535,062 S	1/2007	McGinley

(Continued)

**OTHER PUBLICATIONS**

“Catit PIXI Stainless Steel Fountain” available Sep. 15, 2021, [online], [site visited Sep. 15, 2021]. Retrieved from Internet, URL: <https://usa.catit.com/shop/catit-pixi-stainless-steel-fountain/> (Year: 2021).\*

(Continued)

*Primary Examiner* — Katrina N Gonzalez

(74) *Attorney, Agent, or Firm* — Wolf, Greenfield & Sacks, P.C.

(57) **CLAIM**

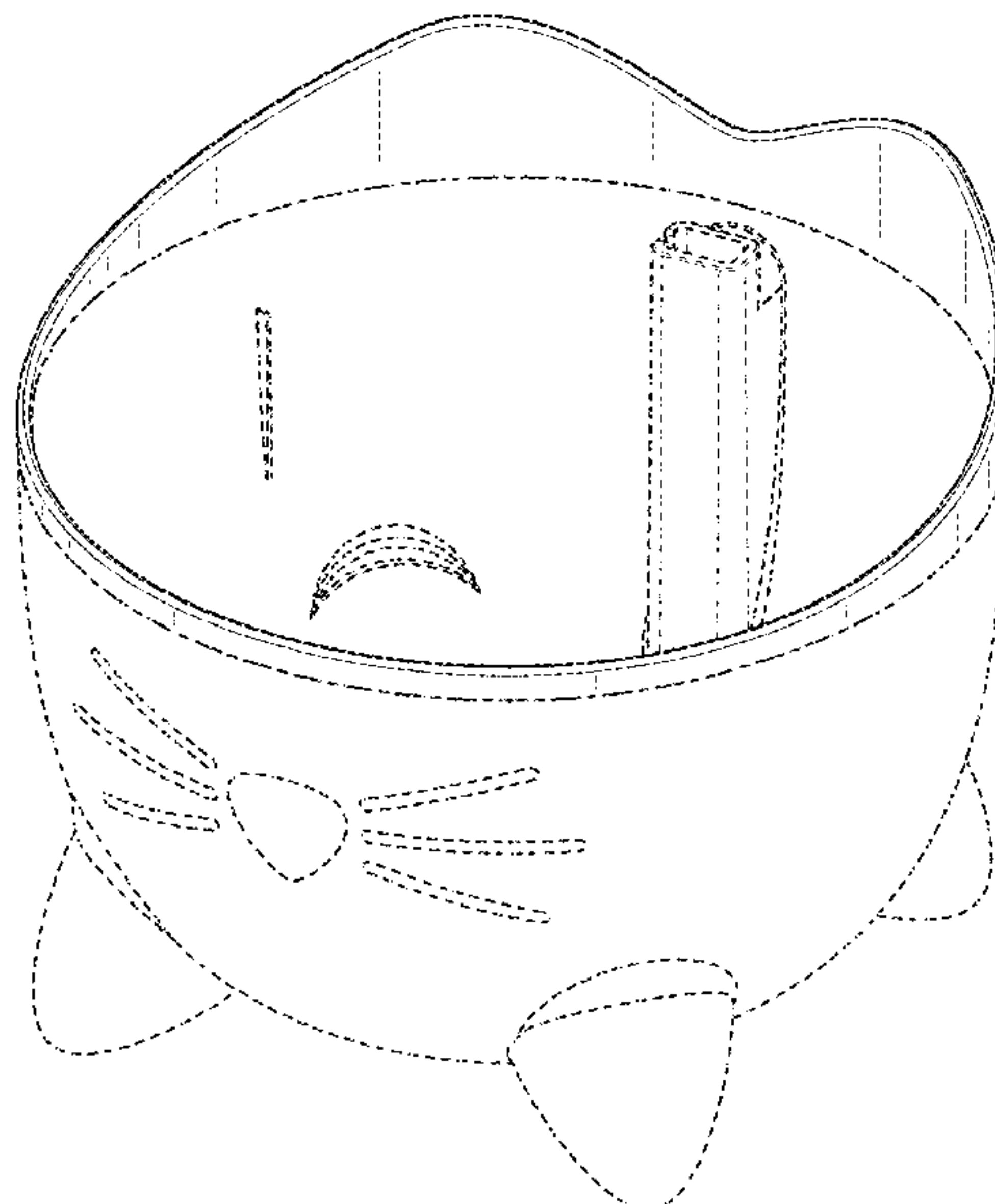
The ornamental design for a pet accessory, as shown and described.

**DESCRIPTION**

FIG. 1 is a top, front, right side perspective view of a pet accessory showing our new design; FIG. 2 is a front elevation view thereof; FIG. 3 is a rear elevation view thereof; FIG. 4 is a right side elevation view thereof; FIG. 5 is a left side elevation view thereof; FIG. 6 is a top plan view thereof; and, FIG. 7 is a bottom plan view thereof.

The dot-dash broken lines represent boundaries of the claimed design and form no part of the claimed design. The dash-dash broken lines depict portions of the pet accessory that form no part of the claimed design.

**1 Claim, 7 Drawing Sheets**



(56)

References Cited

U.S. PATENT DOCUMENTS

D548,609 S 8/2007 Considine et al.  
 7,270,082 B2 9/2007 Plante  
 D569,560 S \* 5/2008 Greenan ..... D30/129  
 D599,927 S 9/2009 van der Lande  
 D600,381 S 9/2009 Choi  
 D622,331 S 8/2010 Rappaport-Rowan  
 D683,190 S \* 5/2013 Shields ..... D7/567  
 D683,592 S \* 6/2013 Shields ..... D7/567  
 D692,623 S 10/2013 Lipscomb  
 D706,495 S \* 6/2014 Hansen ..... D30/121  
 D738,579 S \* 9/2015 Owens ..... D30/132  
 D752,692 S 3/2016 Arias Segui  
 D753,513 S 4/2016 Deurloo et al.  
 D770,280 S 11/2016 Katopis  
 D773,932 S 12/2016 Katopis  
 D789,801 S 6/2017 Johnson  
 D814,570 S 4/2018 Ilowite  
 D816,921 S 5/2018 Harnish  
 D857,121 S 8/2019 Buonocore  
 D877,568 S \* 3/2020 Finell ..... D7/515  
 D904,696 S 12/2020 Xu  
 D915,582 S \* 4/2021 Jiang ..... D24/123

D917,107 S \* 4/2021 Chen ..... D30/132  
 D918,488 S \* 5/2021 Kerr ..... D30/129  
 D930,278 S \* 9/2021 Su ..... D30/131  
 D954,358 S \* 6/2022 De Boeck ..... D30/132  
 D964,485 S 9/2022 Sarkar et al.  
 2016/0229590 A1 \* 8/2016 Smaldone ..... A01K 7/005  
 2017/0280676 A1 \* 10/2017 Mendez ..... A01K 5/0135  
 2019/0075755 A1 \* 3/2019 Imaizumi ..... A01K 39/02  
 2022/0264843 A1 \* 8/2022 Marshall ..... A01K 5/0135

OTHER PUBLICATIONS

“Petsmart—Catit PIXI Cat Drinking Fountain” available Aug. 2021, [online], [site visited Sep. 15, 2021]. Retrieved from Internet, URL:<https://www.petsmart.com/cat/bowls-and-feeders/automatic-feeders/catit-pixi-cat-drinking-fountain-5318469.html> (Year: 2021).\*

“Twitter—Rolf C Hagen Inc” available Aug. 17, 2021, [online], [site visited Sep. 15, 2021]. Retrieved from Internet, URL:[https://twitter.com/rolfc\\_hagen\\_inc](https://twitter.com/rolfc_hagen_inc) (Year: 2021).\*

“Catit PIXI Cat Drinking Fountain” available Jun. 2, 2021, [online], [site visited Sep. 15, 2021]. Retrieved from Internet, URL:[https://www.amazon.com/Catit-Drinking-Fountain-Running-Water/dp/B095PZ8ZXZ/ref=sr\\_1\\_4](https://www.amazon.com/Catit-Drinking-Fountain-Running-Water/dp/B095PZ8ZXZ/ref=sr_1_4) (Year: 2021).\*

\* cited by examiner

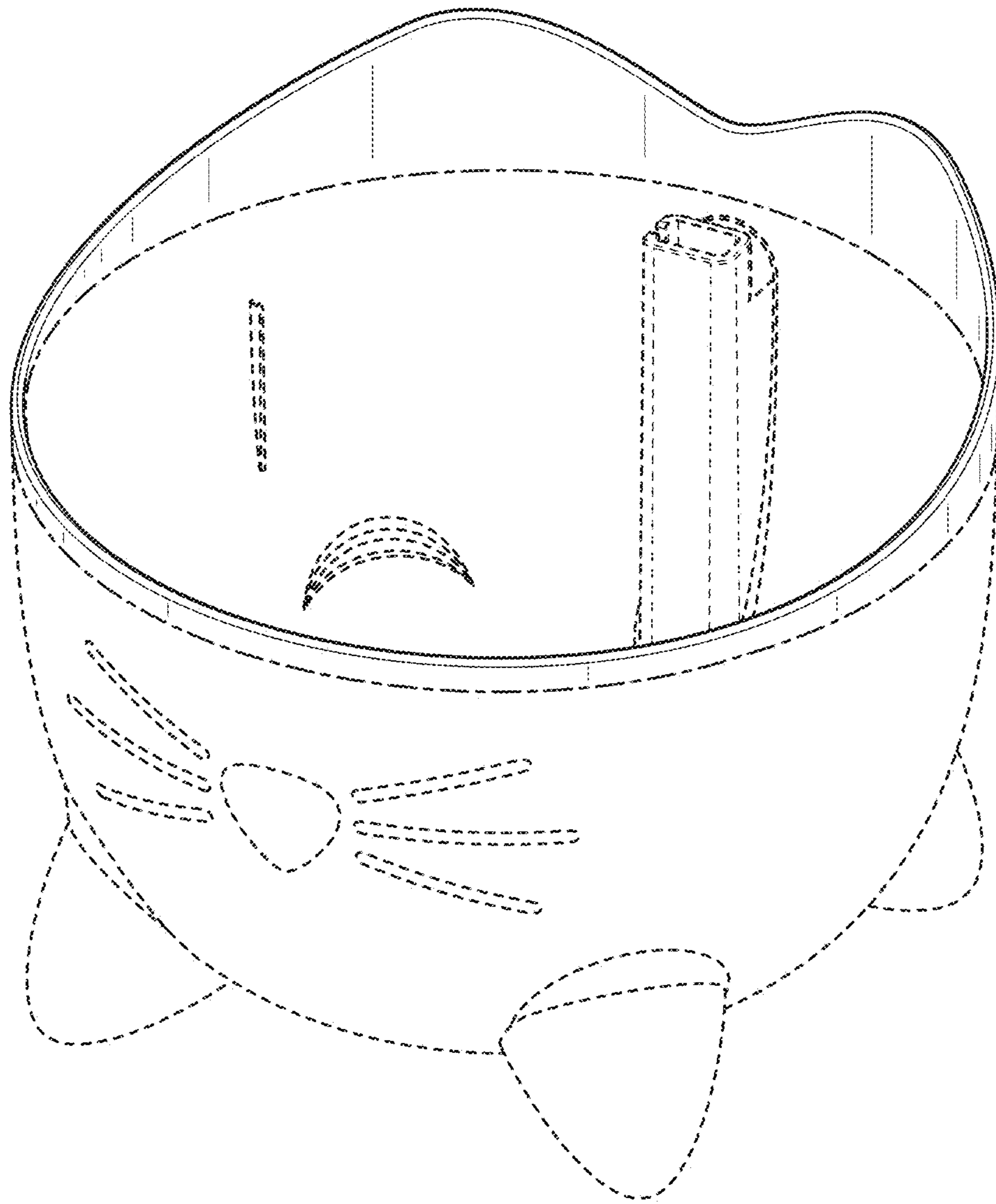


FIG. 1

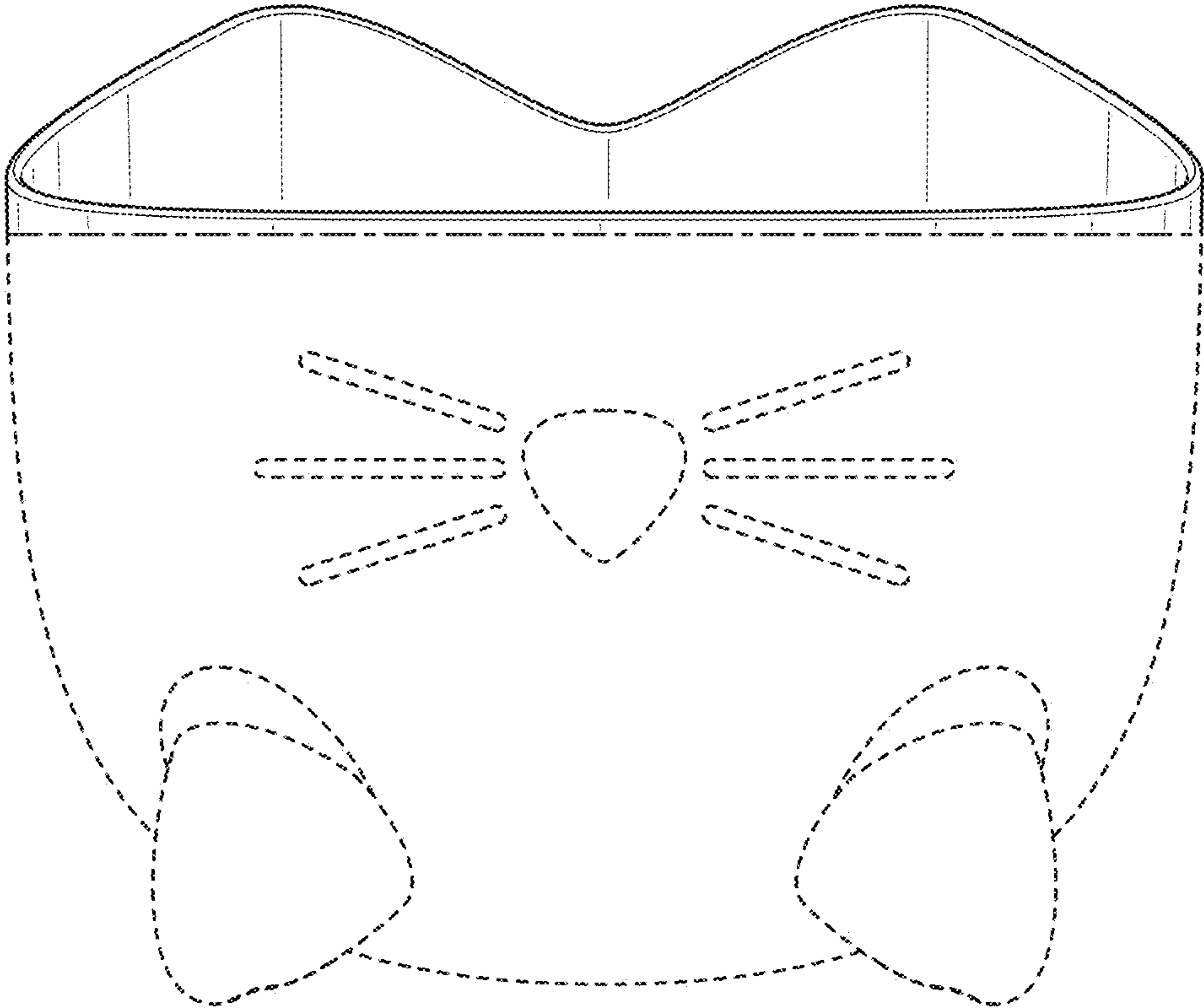


FIG. 2

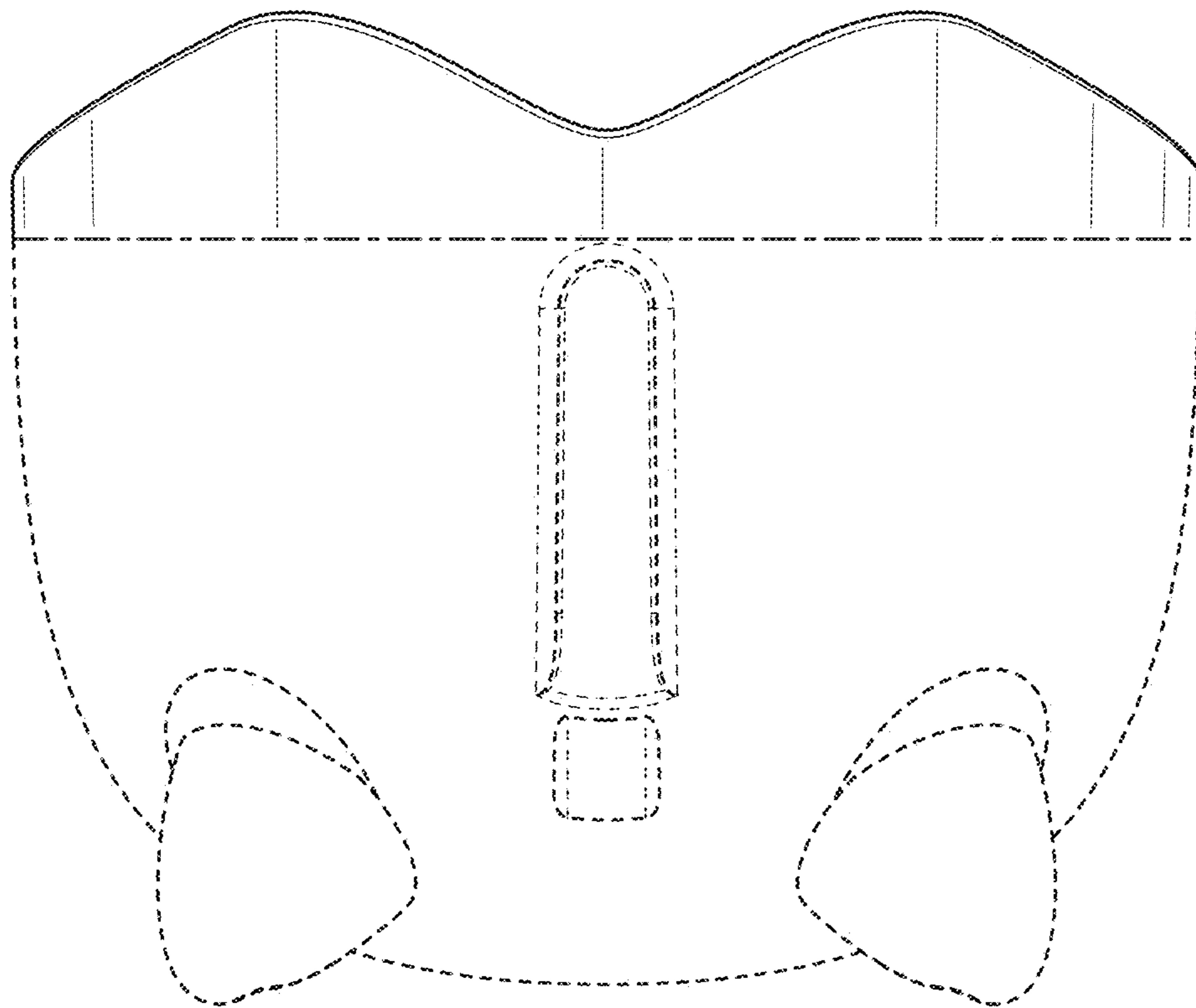


FIG. 3



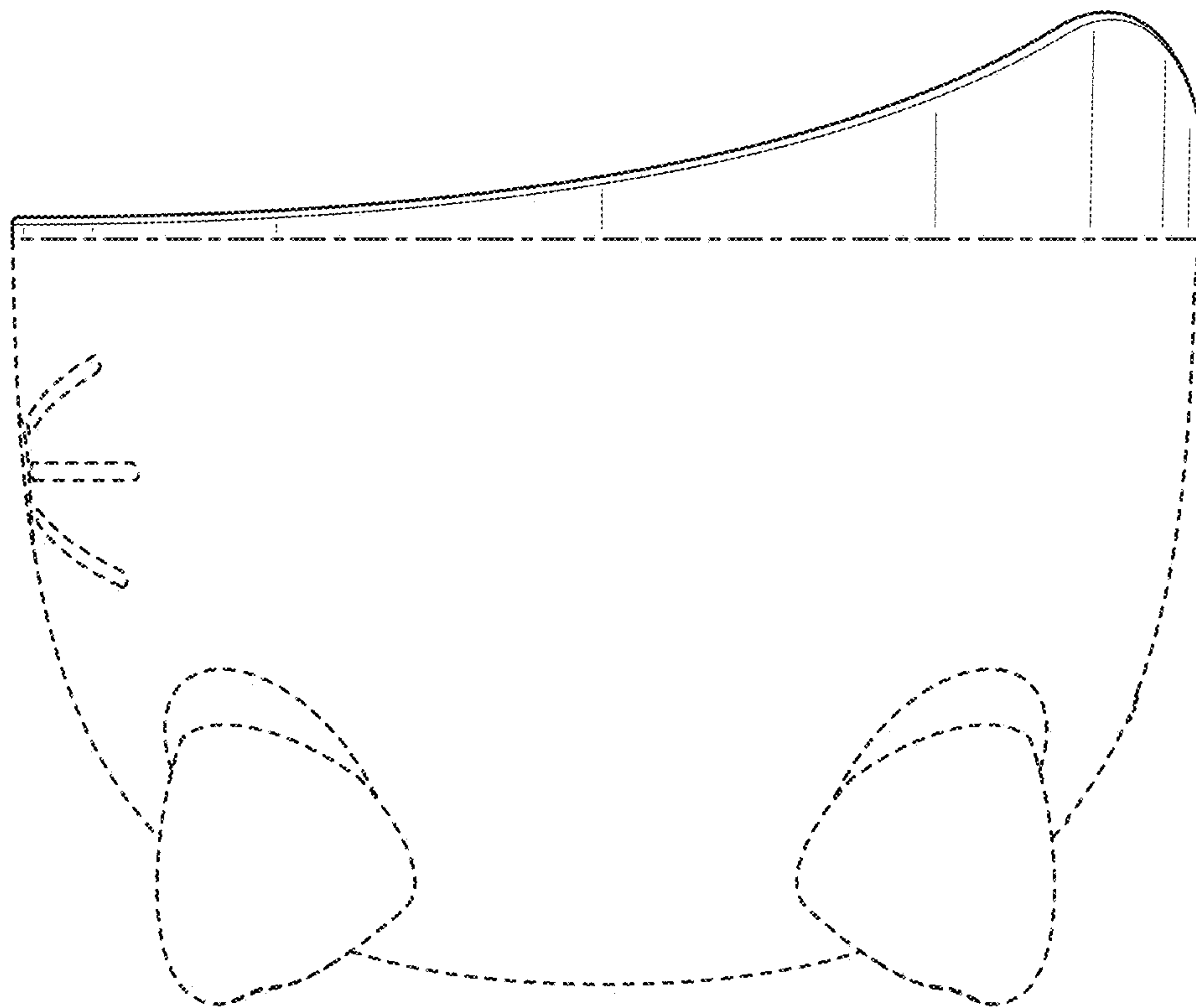


FIG. 4

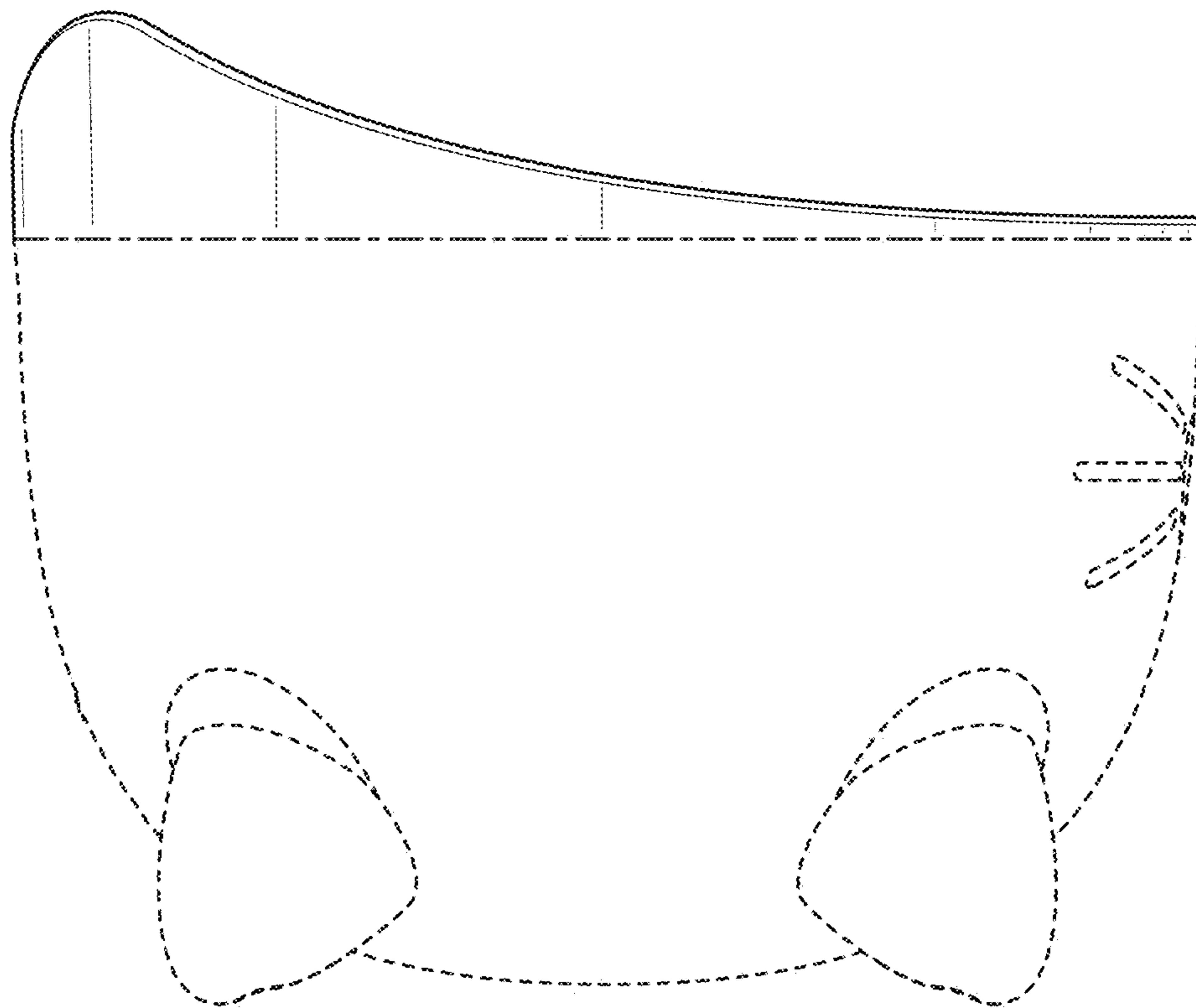


FIG. 5

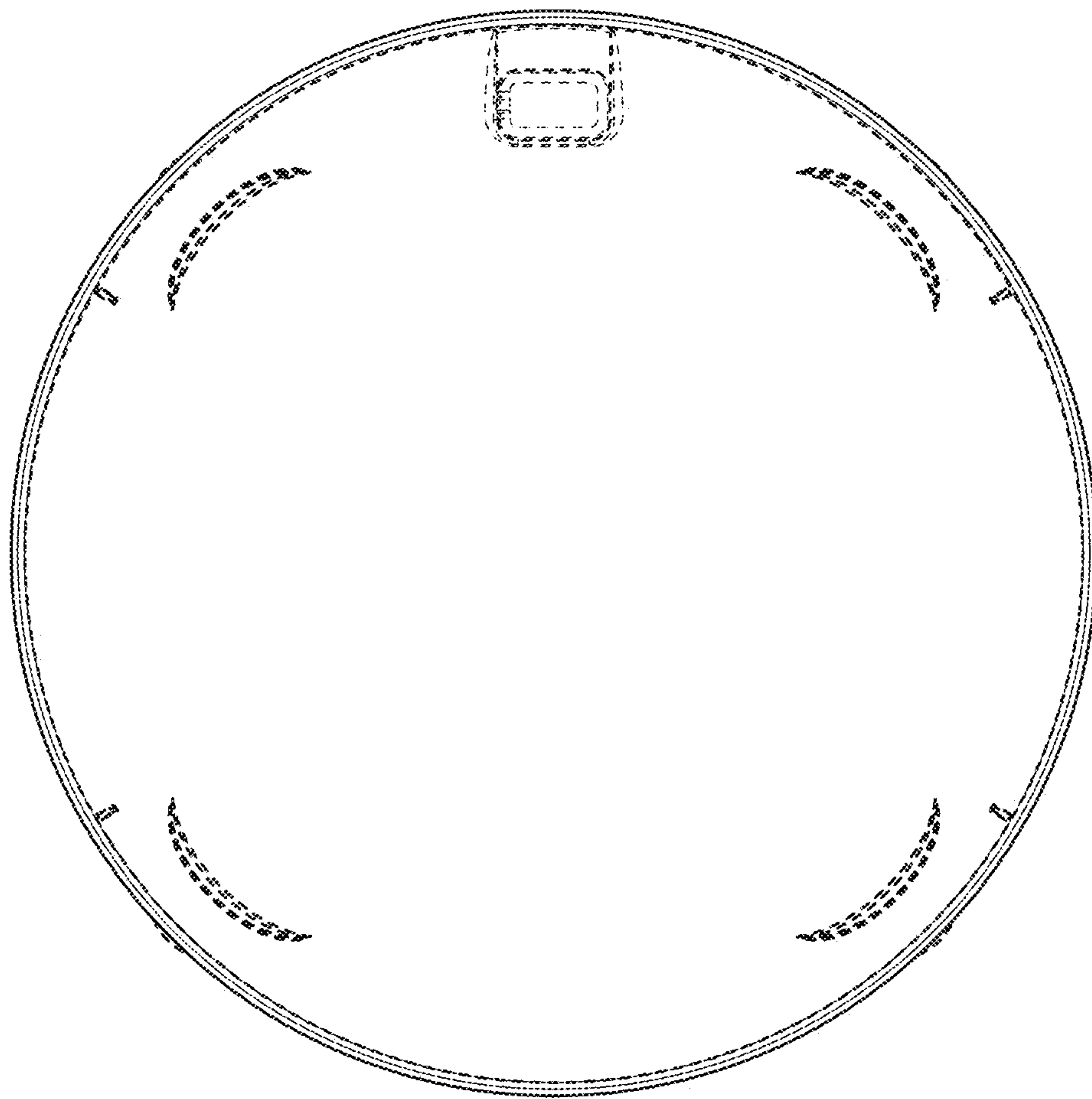


FIG. 6



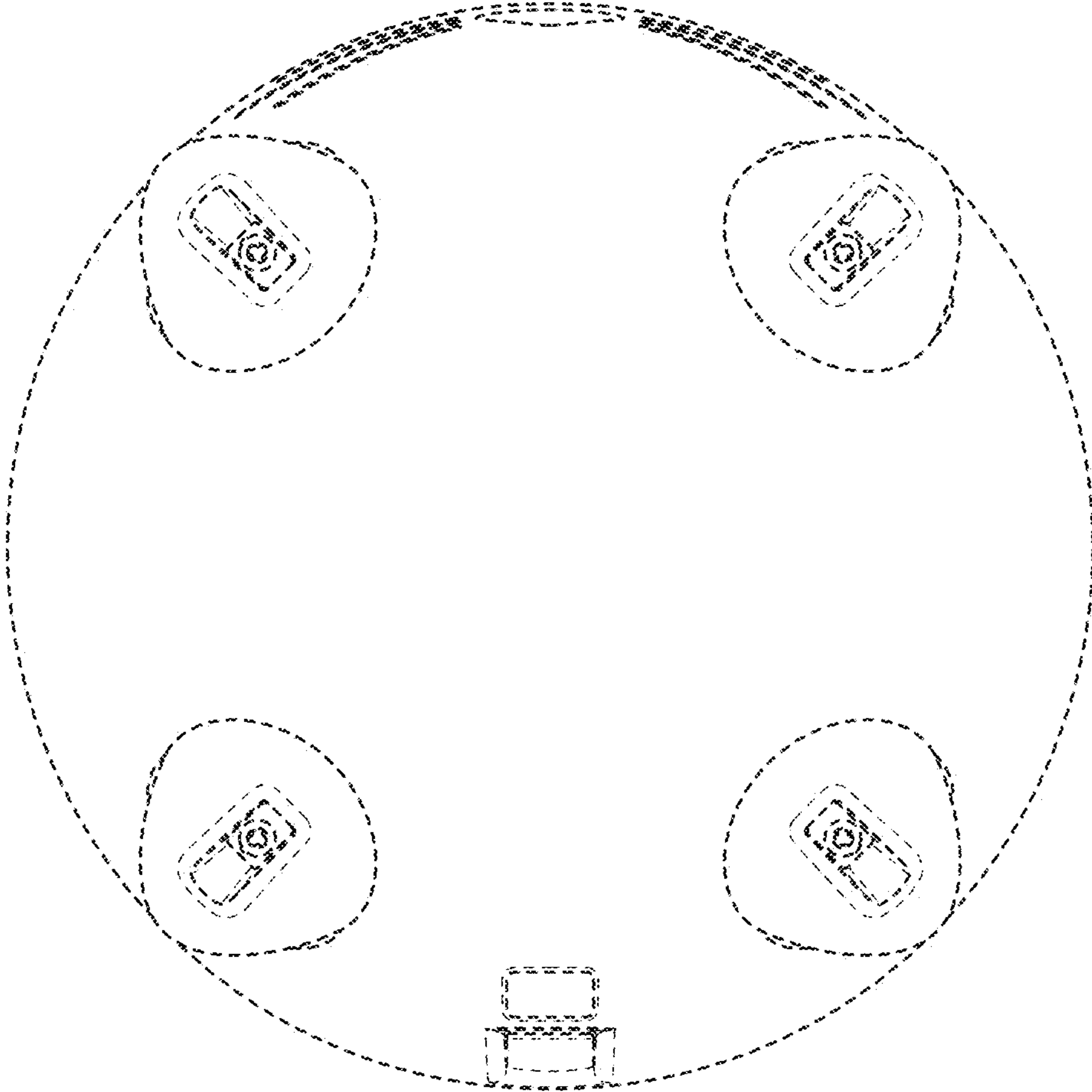


FIG. 7