



US00D987210S

(12) **United States Design Patent**
Wu et al.

(10) **Patent No.:** **US D987,210 S**
(45) **Date of Patent:** **** May 23, 2023**

- (54) **PET WATER FOUNTAIN**
- (71) Applicant: **Beijing Kitten & Puppy Technology Co., Ltd., Beijing (CN)**
- (72) Inventors: **Jin Wu, Beijing (CN); Dan Luo, Beijing (CN); Lianhong Niu, Beijing (CN)**
- (73) Assignee: **Beijing Kitten & Puppy Technology Co., Ltd., Beijing (CN)**
- (**) Term: **15 Years**

D913,604 S	*	3/2021	Wang	D30/132
D914,300 S	*	3/2021	Wu	D30/132
D918,491 S	*	5/2021	Milsom	D30/132
D922,696 S	*	6/2021	Feng	D30/132
D950,861 S	*	5/2022	Tu	D30/132
D961,171 S	*	8/2022	Guan	D30/132

(Continued)

FOREIGN PATENT DOCUMENTS

CA	205848	*	2/2023
GB	6147275	*	7/2021

(Continued)

OTHER PUBLICATIONS

“Pawbby Smart Pet Water Fountain” available 2022, [online], [site visited Mar. 1, 2023]. Retrieved from Internet, URL:<https://ifdesign.com/en/winner-ranking/project/pawbby-smart-pet-water-fountain/342191> (Year: 2022).*

Primary Examiner — Katrina N Gonzalez
(74) *Attorney, Agent, or Firm* — Bayramoglu Law Offices LLC

(30) **Foreign Application Priority Data**

Apr. 30, 2021 (CN) 202130260665.7

- (51) **LOC (14) Cl.** **30-03**
- (52) **U.S. Cl.**
USPC **D30/132**

- (58) **Field of Classification Search**
USPC D30/121, 122, 129, 130, 131, 132, 133;
119/51.01, 51.02, 51.03, 51.11, 51.12,
119/51.13, 51.5, 52.1, 57, 57.1, 57.92, 58,
119/60, 61.1, 61.5, 61.52, 61.54, 61.55,
119/61.57, 72, 72.5, 73, 74, 75, 78, 174;
D23/355, 356, 359, 360, 362, 364, 366
CPC A01K 5/00; A01K 5/0114; A01K 5/0121;
A01K 5/0135; A01K 7/005; A01K 7/00;
A01K 39/02; A01K 39/04; A01K 39/0213
See application file for complete search history.

(57) **CLAIM**

The ornamental design for a pet water fountain, as shown and described.

DESCRIPTION

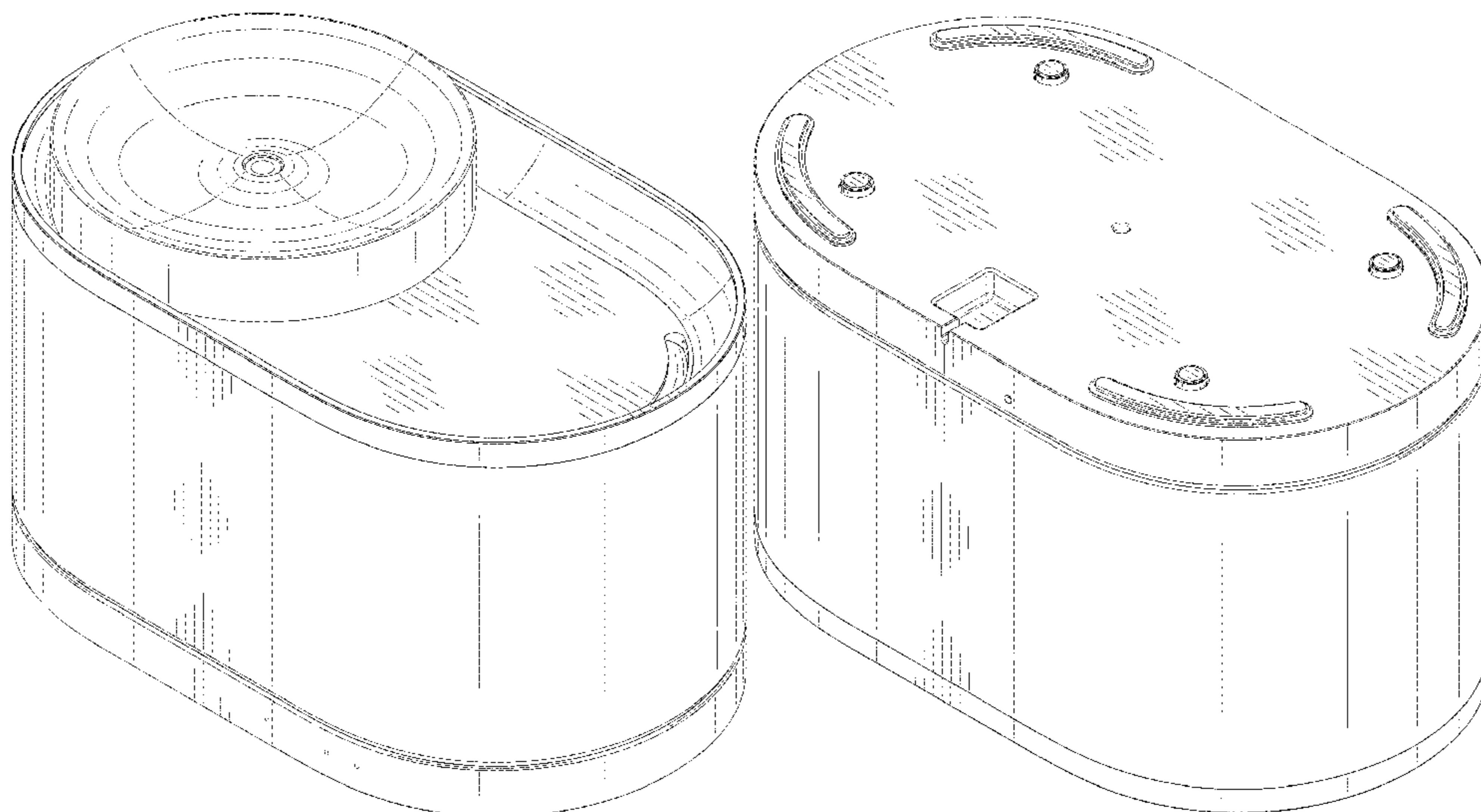
FIG. 1 is a perspective view of a pet water fountain showing our new design;
FIG. 2 is a front view thereof;
FIG. 3 is a back view thereof;
FIG. 4 is a left side view thereof;
FIG. 5 is a right side view thereof;
FIG. 6 is a top view thereof;
FIG. 7 is a bottom view thereof; and,
FIG. 8 is a bottom perspective view thereof.
The broken lines in the drawings illustrate portions of the pet water fountain that form no part of the claimed design.

(56) **References Cited**

U.S. PATENT DOCUMENTS

D717,006 S	*	11/2014	Alfonso	D30/129
D893,110 S	*	8/2020	Ni	D30/132
D912,910 S	*	3/2021	Xue	D30/132
D912,911 S	*	3/2021	Wang	D30/132

1 Claim, 8 Drawing Sheets



(56)

References Cited

U.S. PATENT DOCUMENTS

D965,233 S * 9/2022 Gong D30/132
D965,921 S * 10/2022 Gong D30/132
D972,788 S * 12/2022 Milsom D30/132
D977,744 S * 2/2023 Fan D30/132
2021/0144963 A1* 5/2021 Wang C02F 1/42
2022/0386563 A1* 12/2022 Wang A01K 7/02

FOREIGN PATENT DOCUMENTS

GB 6189842 * 2/2022
TW 216829-0001 * 1/2022

* cited by examiner

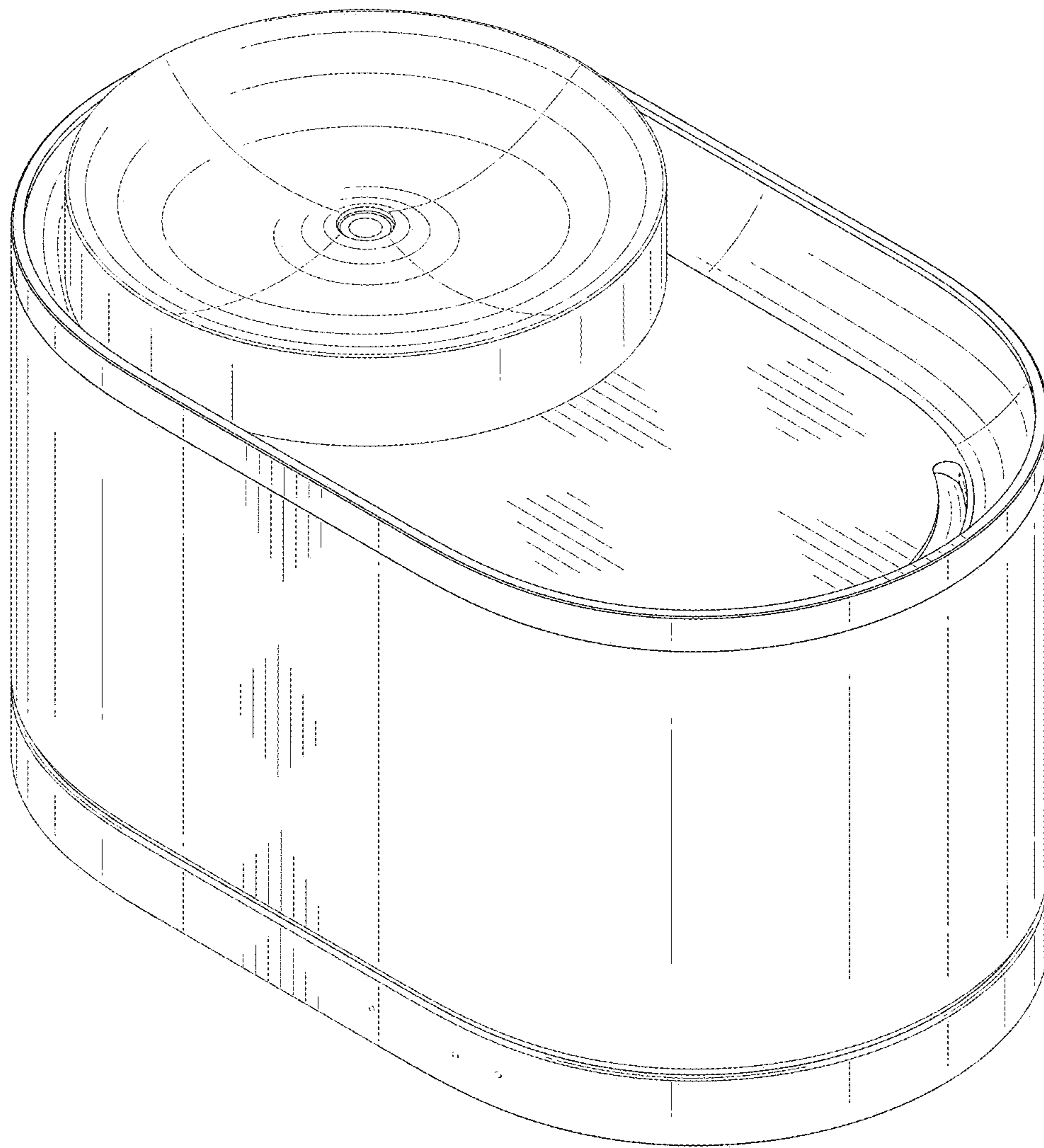


FIG.1

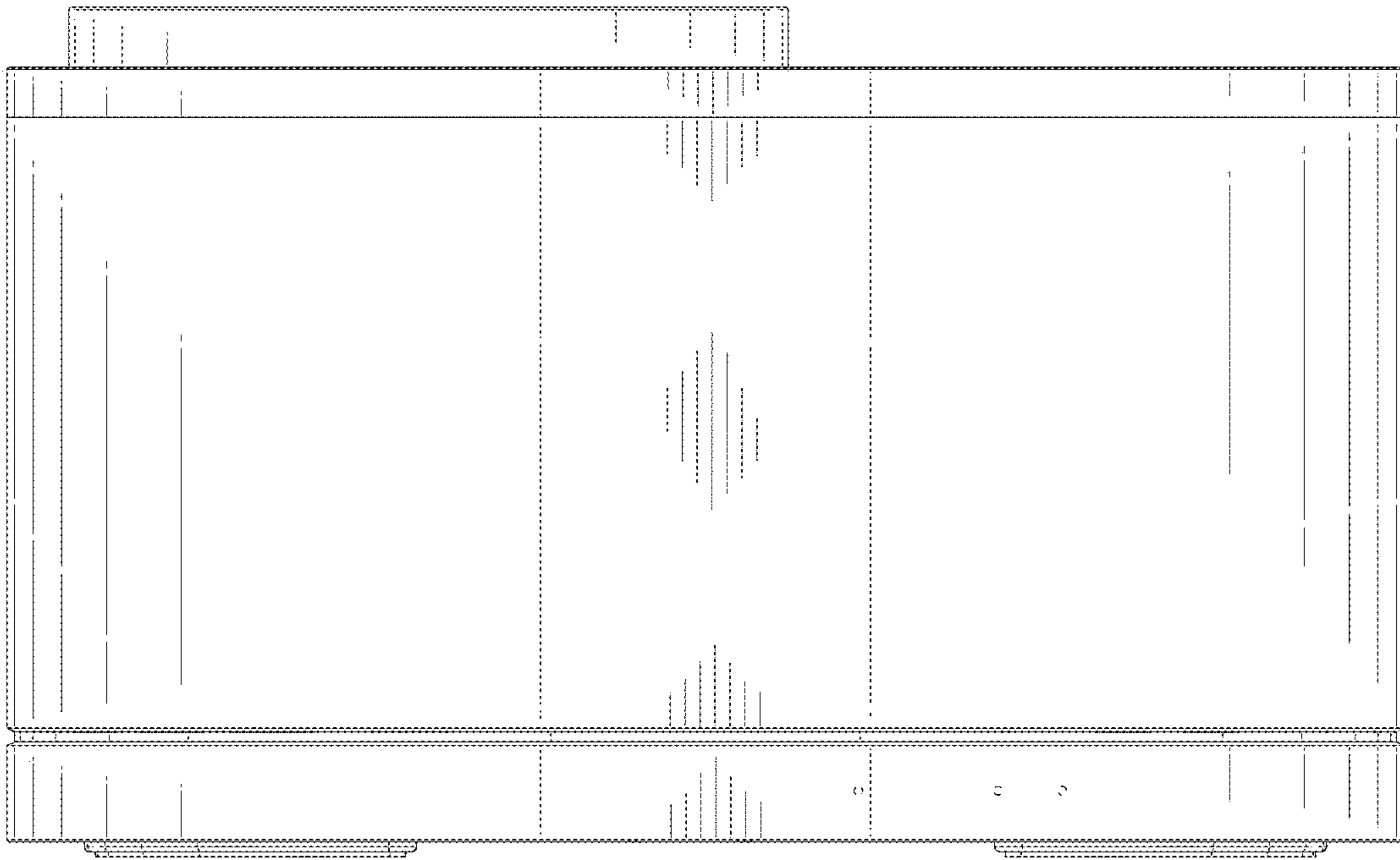


FIG.2

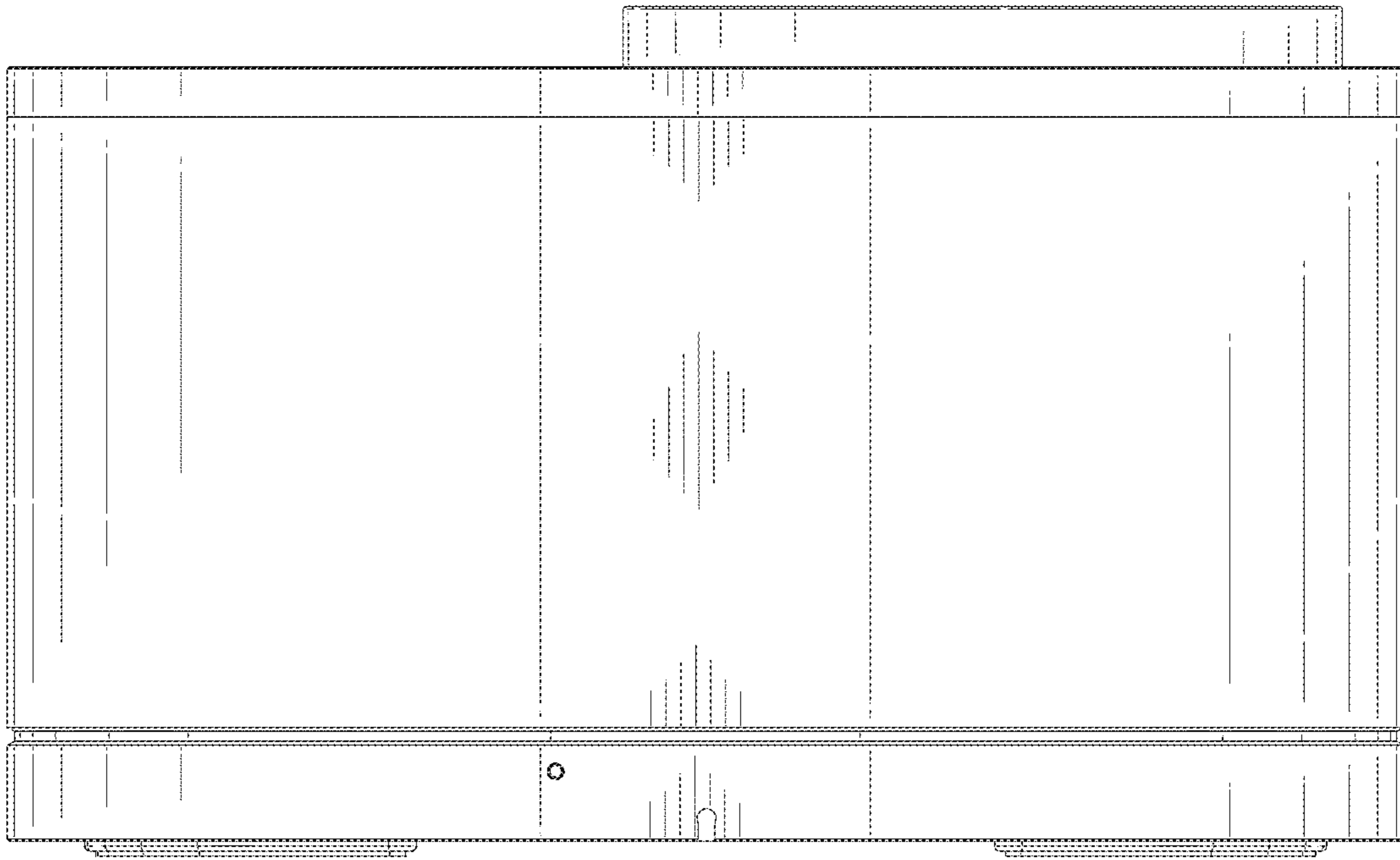


FIG.3

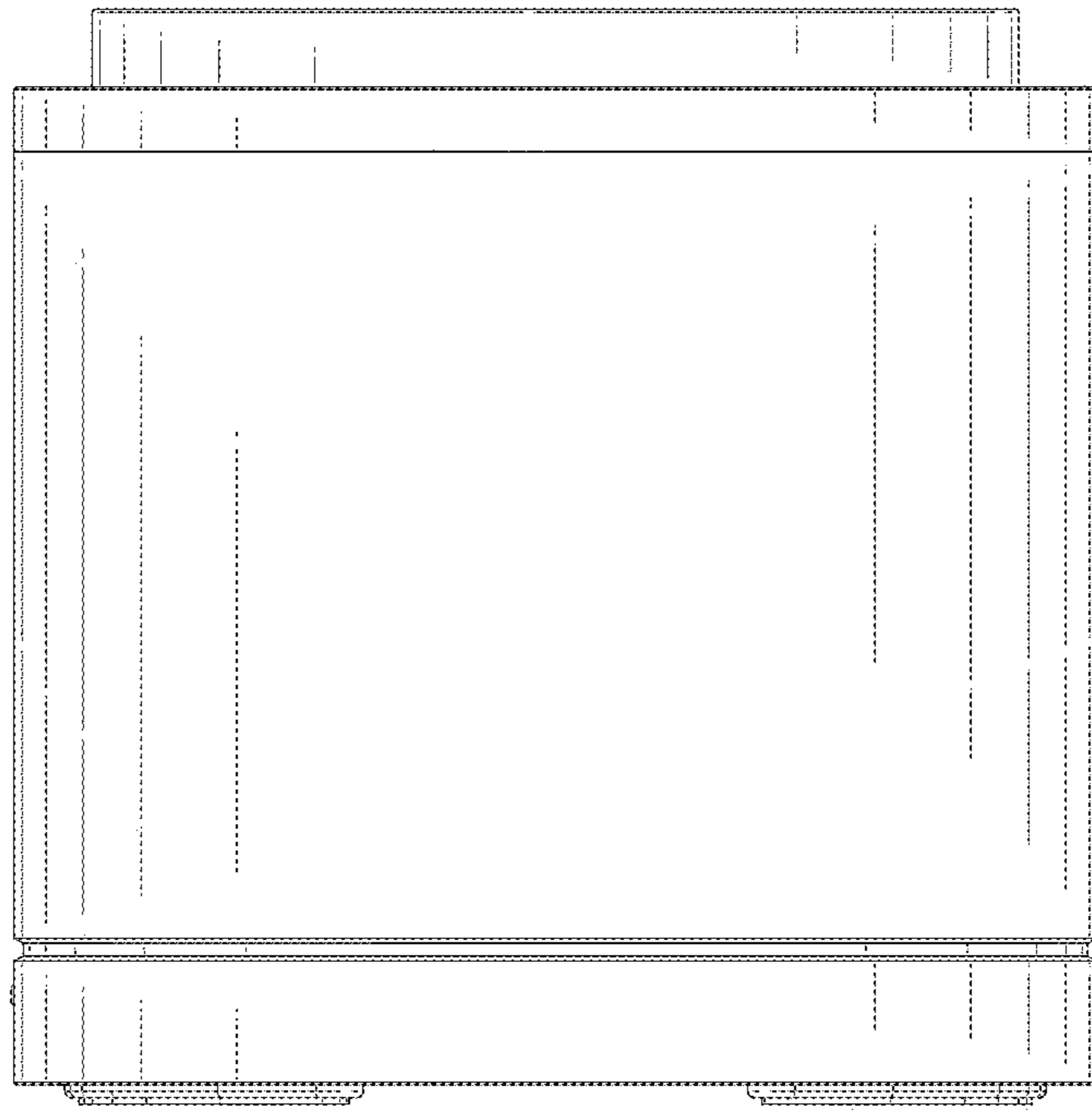


FIG.4

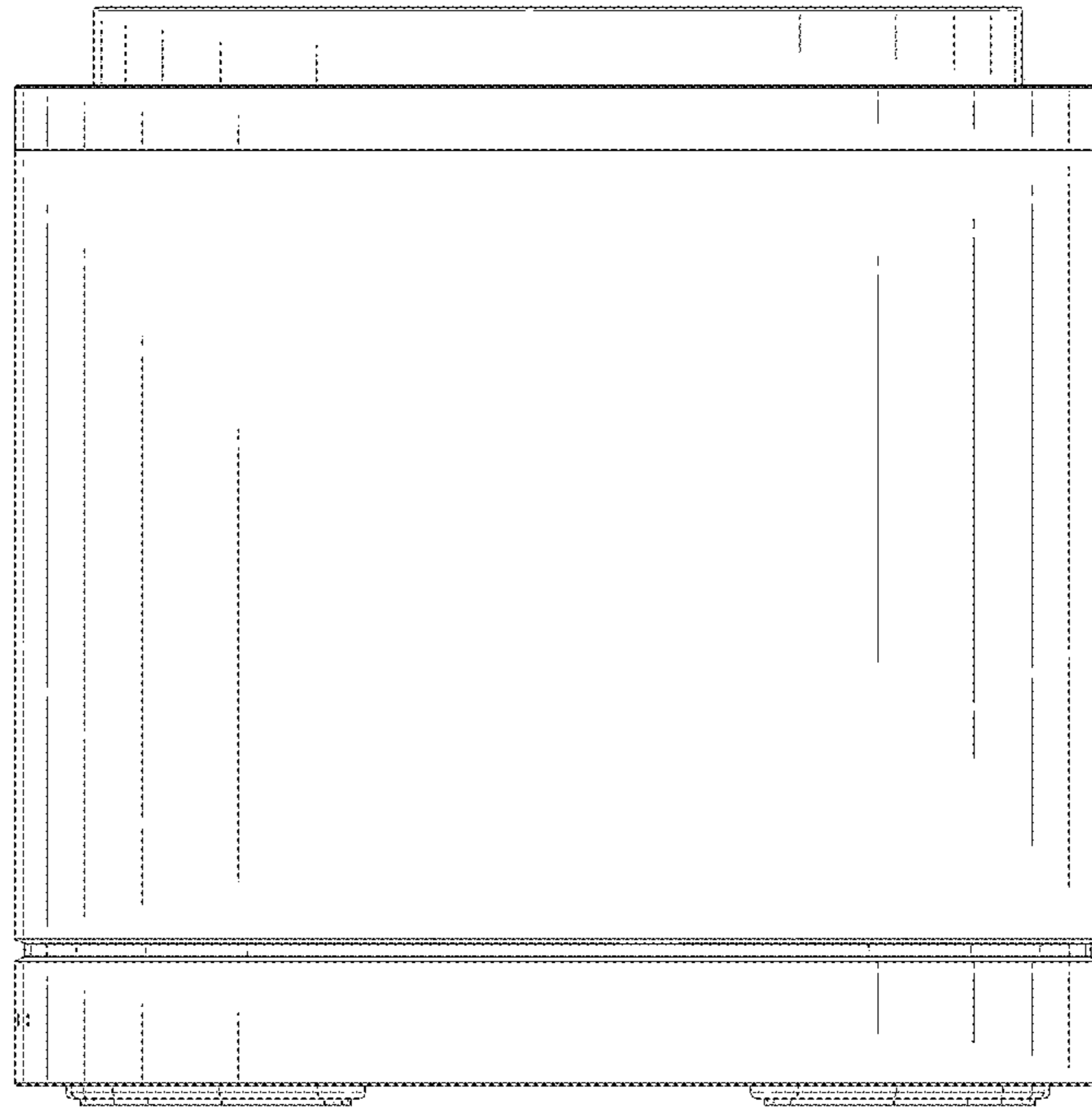


FIG.5

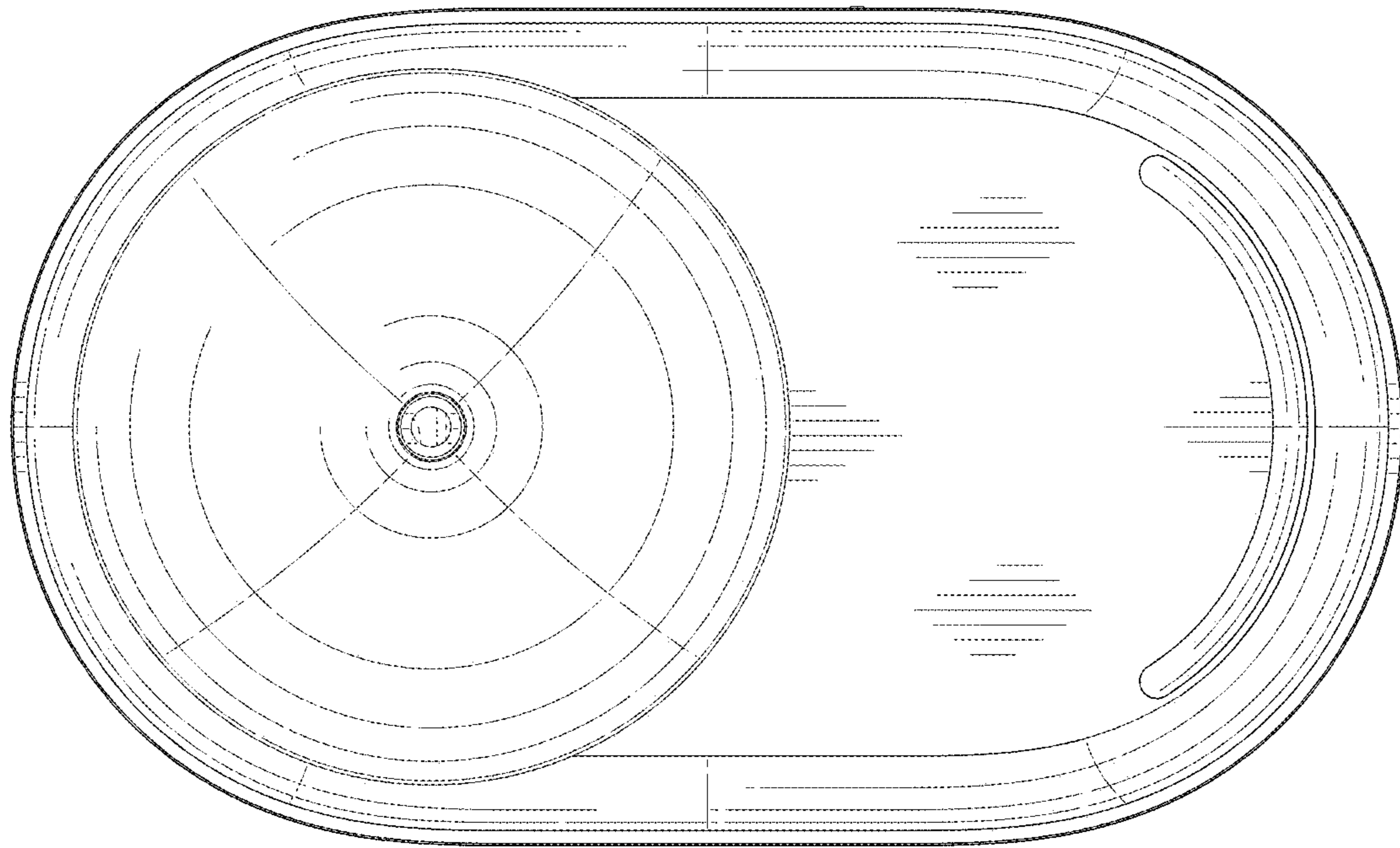


FIG.6

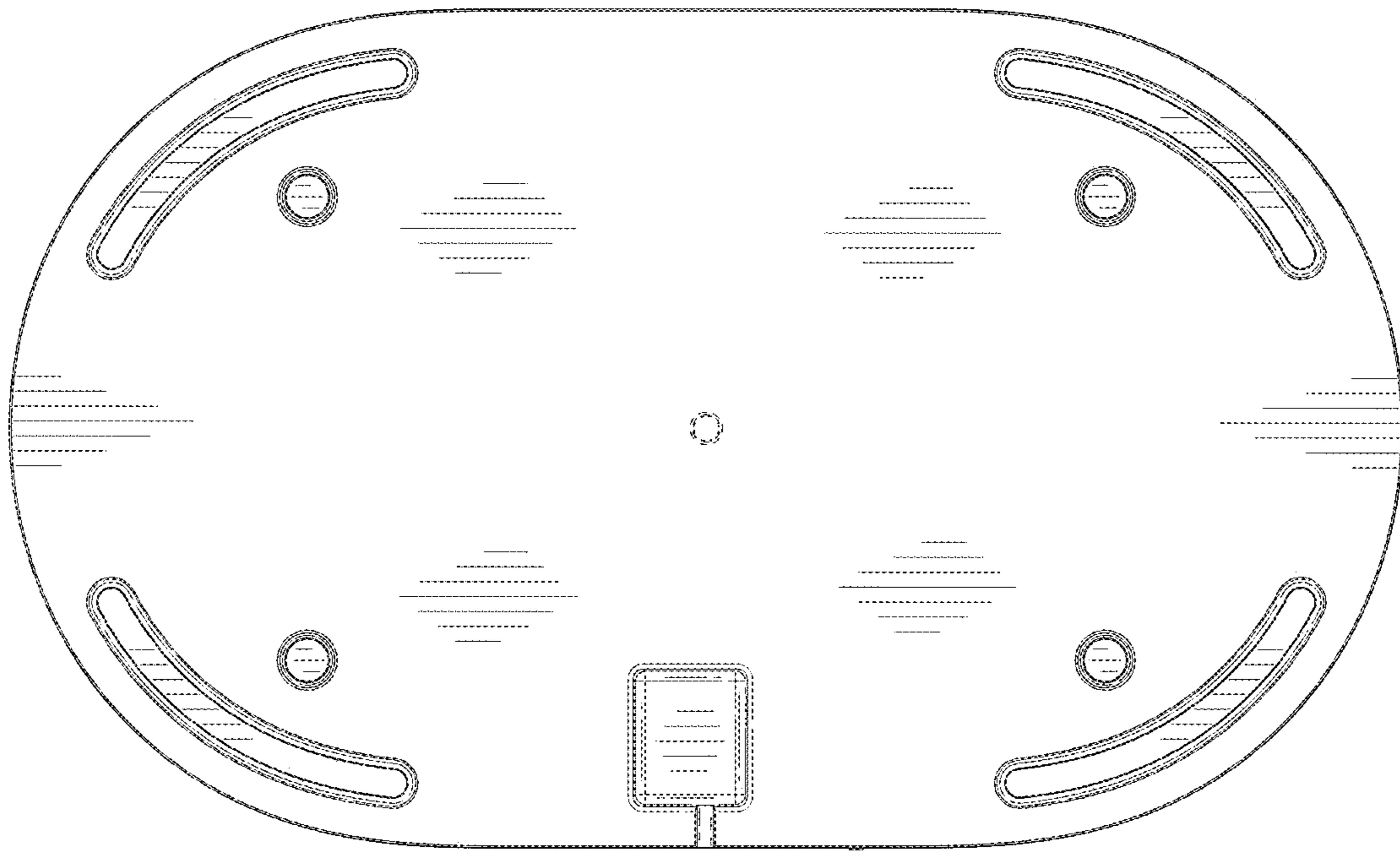


FIG. 7

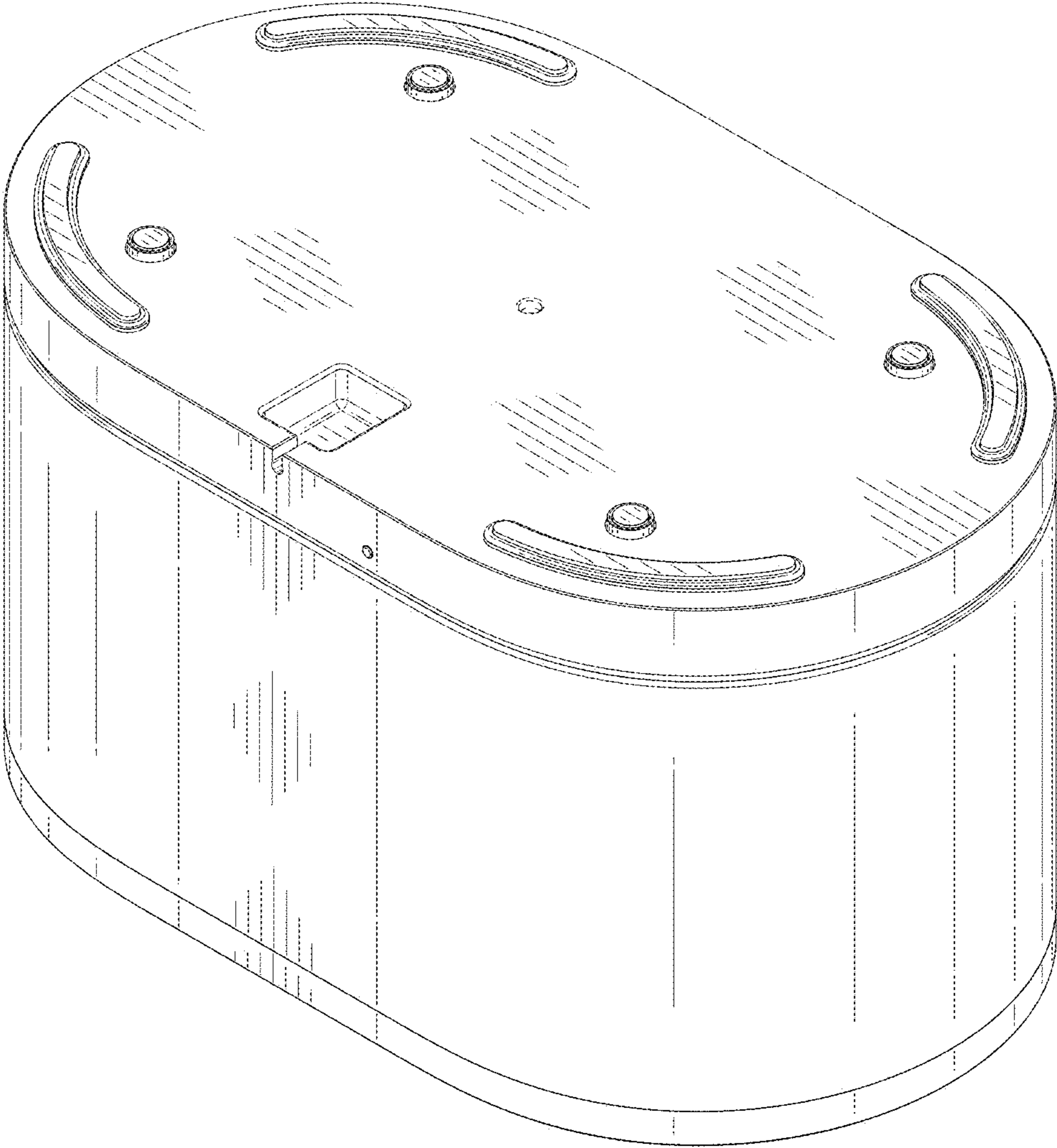


FIG.8