



US00D987209S

(12) **United States Design Patent** (10) **Patent No.:** **US D987,209 S**
Milsom (45) **Date of Patent:** **** *May 23, 2023**

(54) **ANIMAL WATERING FOUNTAIN**
(71) Applicant: **Radio Systems Corporation,**
Knoxville, TN (US)
(72) Inventor: **Darren Milsom,** Knoxville, TN (US)
(73) Assignee: **Radio Systems Corporation,**
Knoxville, TN (US)

D764,117 S * 8/2016 Fang D30/132
D893,110 S * 8/2020 Ni D30/132
D912,911 S * 3/2021 Wang D30/132
D913,604 S * 3/2021 Wang D30/132
D917,793 S * 4/2021 Huang D30/132
D918,489 S * 5/2021 Sayers D30/132
D918,491 S * 5/2021 Milsom D30/132
D928,423 S * 8/2021 Tao D30/132
2011/0067638 A1 * 3/2011 Lipscomb A01K 7/02
137/560

(Continued)

(*) Notice: This patent is subject to a terminal disclaimer.

(**) Term: **15 Years**

(21) Appl. No.: **29/733,414**

(22) Filed: **May 1, 2020**

(51) **LOC (14) Cl.** **30-03**

(52) **U.S. Cl.**
USPC **D30/132**

(58) **Field of Classification Search**
USPC D30/121, 122, 129-133, 199; 119/51.01,
119/51.02, 51.03, 51.11, 51.15, 51.5, 70,
119/52.1, 52.3, 52, 4, 53, 53.5, 54, 57.92,
119/61.1, 61.3, 61.5, 61, 61.53, 61.54,
119/61.55, 68, 72, 73, 74, 75, 78, 174
CPC . A01K 5/00; A01K 7/00; A01K 39/02; A01K
39/04; A01K 39/0213; A01K 5/0114;
A01K 5/0121; A01K 5/0135; A01K 7/005
See application file for complete search history.

(56) **References Cited**

U.S. PATENT DOCUMENTS

7,270,082 B2 * 9/2007 Plante A01K 7/022
119/74
D681,888 S * 5/2013 Fang D30/132
D689,245 S * 9/2013 Rowe D30/132
D694,477 S * 11/2013 Rowe D30/132
D704,903 S * 5/2014 Fang D30/132
D738,579 S * 9/2015 Owens D30/132

OTHER PUBLICATIONS

“PetSafe Creekside Ceramic Dog & Cat Fountain” available Oct. 20, 2020, [online], [site visited Sep. 16, 2021]. Retrieved from Internet, URL: <https://www.chewy.com/petsafe-creekside-ceramic-dog-cat/dp/273552> (Year: 2020).*

(Continued)

Primary Examiner — Katrina N Gonzalez
(74) *Attorney, Agent, or Firm* — Baker Donelson

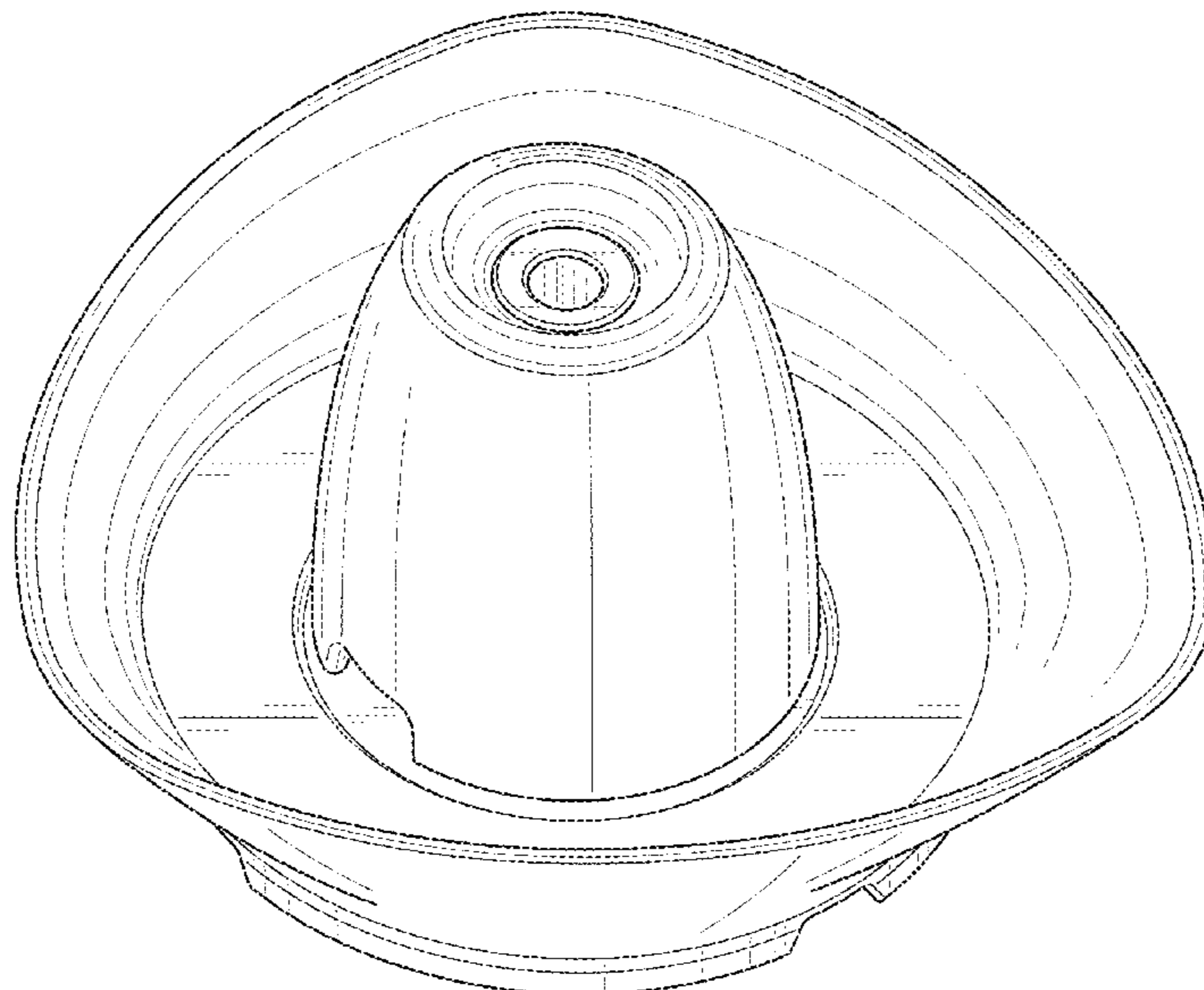
(57) **CLAIM**

The ornamental design for an animal watering fountain, as shown and described.

DESCRIPTION

FIG. 1 is a front top left perspective view of an animal watering fountain.
FIG. 2 is a front top right perspective view thereof.
FIG. 3 is a front view thereof.
FIG. 4 is a rear view thereof.
FIG. 5 is a left view thereof
FIG. 6 is a right view thereof.
FIG. 7 is a top view thereof; and,
FIG. 8 is a bottom view thereof.
The broken lines illustrate portions of the animal watering fountain that form no part of the claimed design.

1 Claim, 6 Drawing Sheets



(56)

References Cited

U.S. PATENT DOCUMENTS

2012/0137979 A1* 6/2012 Lipscomb A01K 7/02
119/74
2015/0114301 A1* 4/2015 Nolan A01K 5/0114
119/61.5

OTHER PUBLICATIONS

“PetSafe Creekside Ceramic Pet Fountain” available Jul. 21, 2020, [online], [site visited Sep. 16, 2021]. Retrieved from Internet, URL: <https://www.ubuy.com.tr/en/product/8SXOW0-petsafe-creekside-ceramic-pet-drinking-fountain-cat-and-dog-fresh-flowing-water-dispensers-60-oz-cap> (Year: 2020).*

“Amazon _ PetSafe Creekside Ceramic Pet Fountain” available Jun. 8, 2020, [online], [site visited Sep. 16, 2021]. Retrieved from Internet, URL: https://www.amazon.com/PetSafe-Creekside-Ceramic-Fountain-Capacity/dp/B0883DR83G/ref=sr_1_20 (Year: 2020).*

* cited by examiner

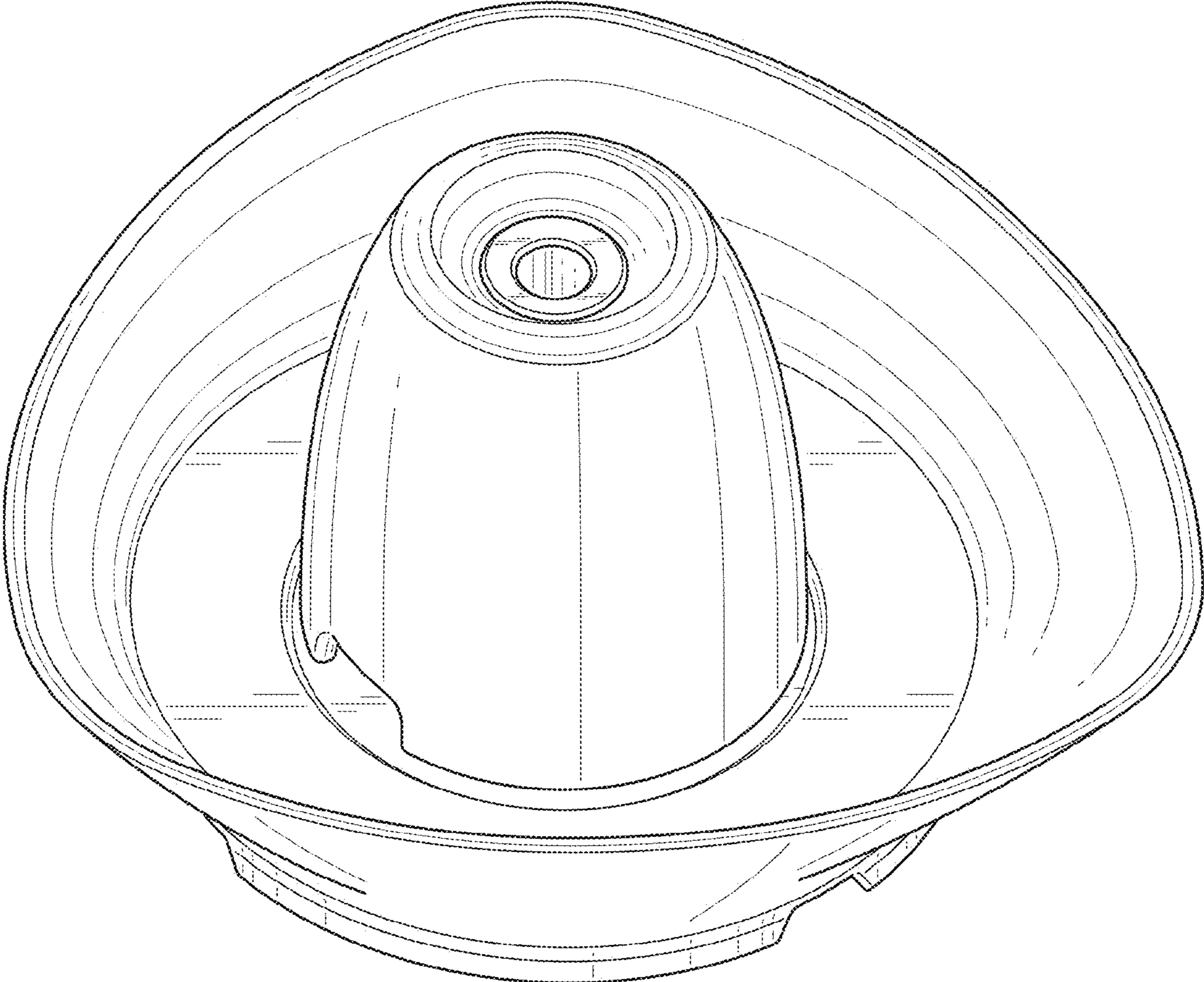


FIG. 1

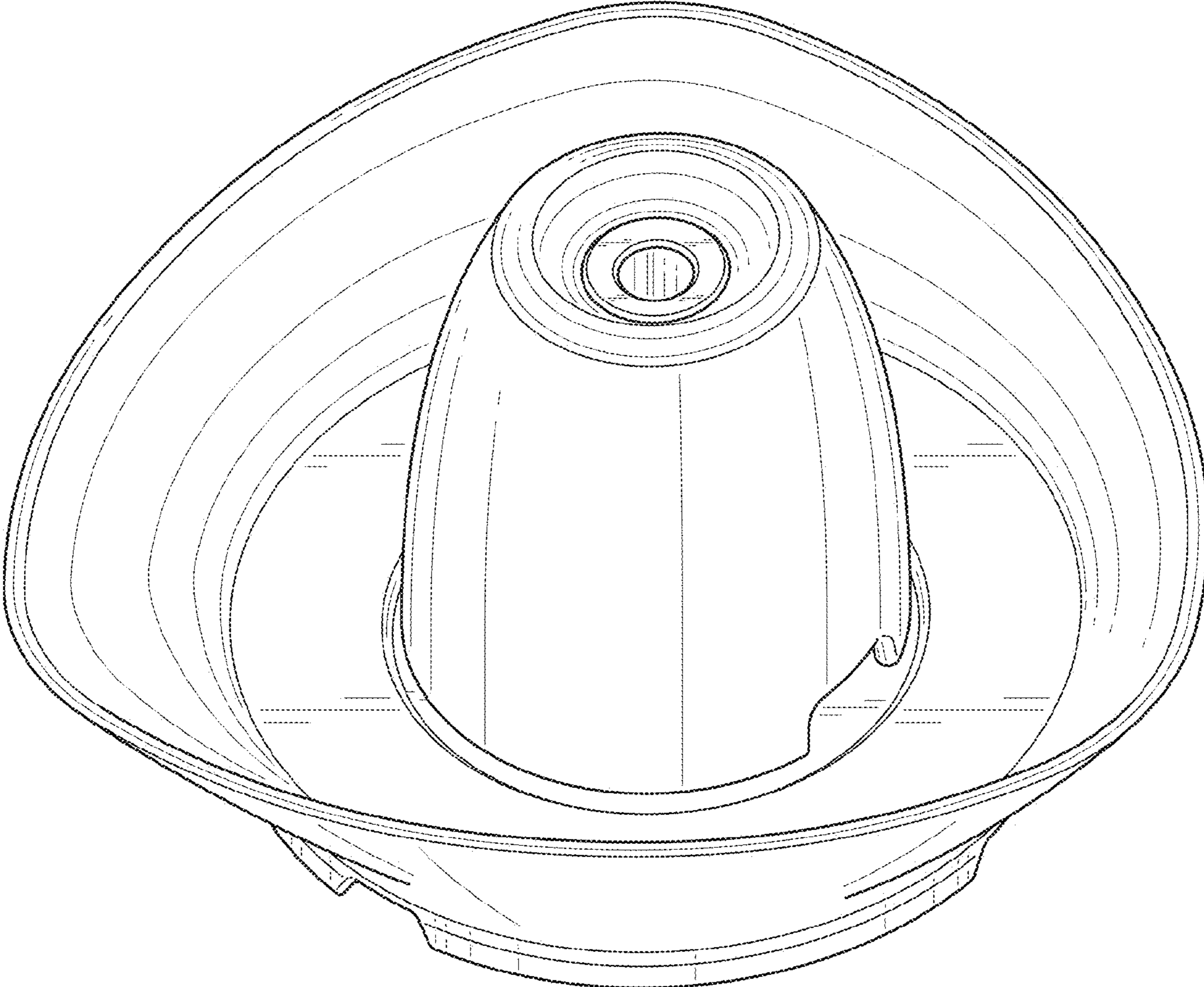


FIG. 2

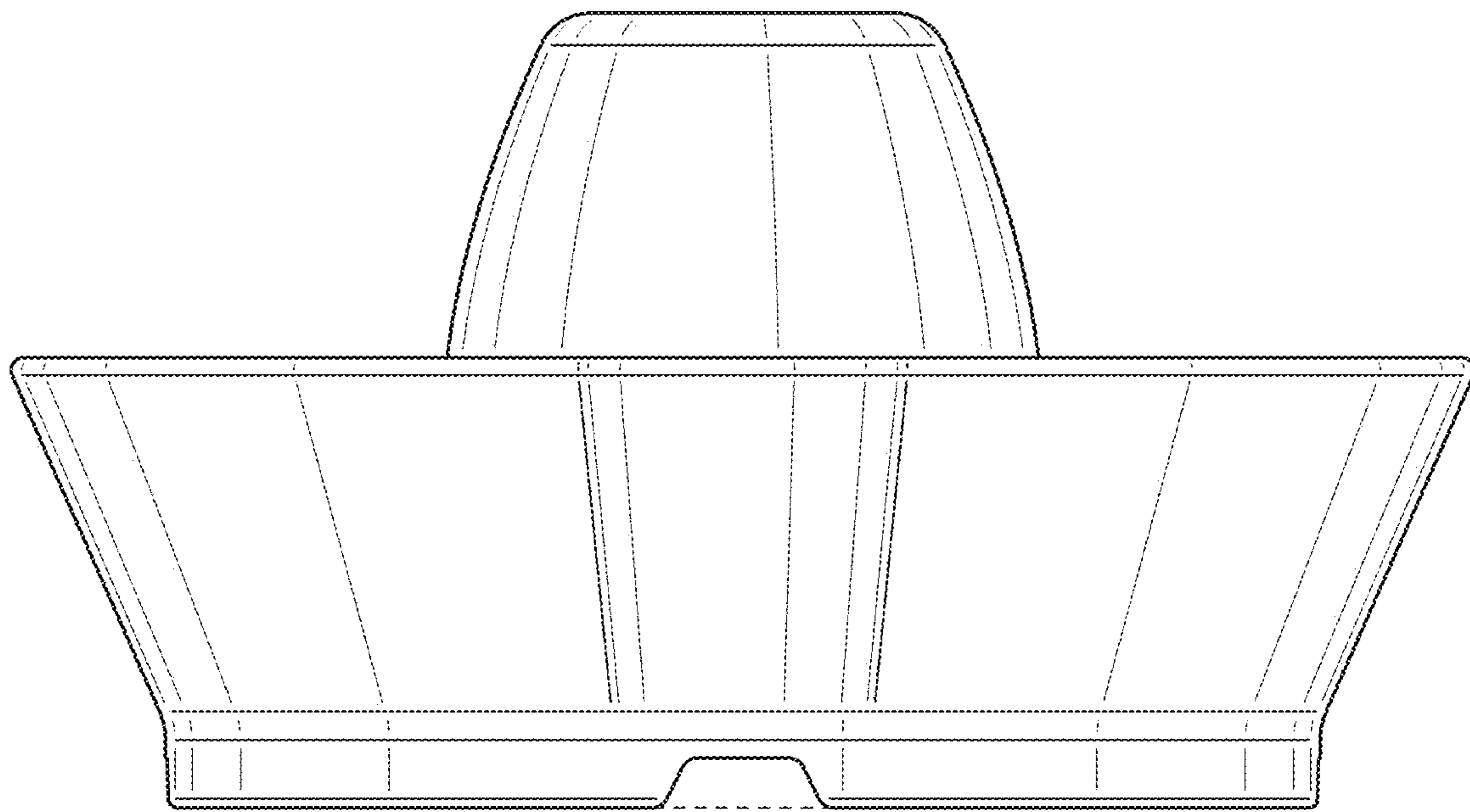


FIG. 3

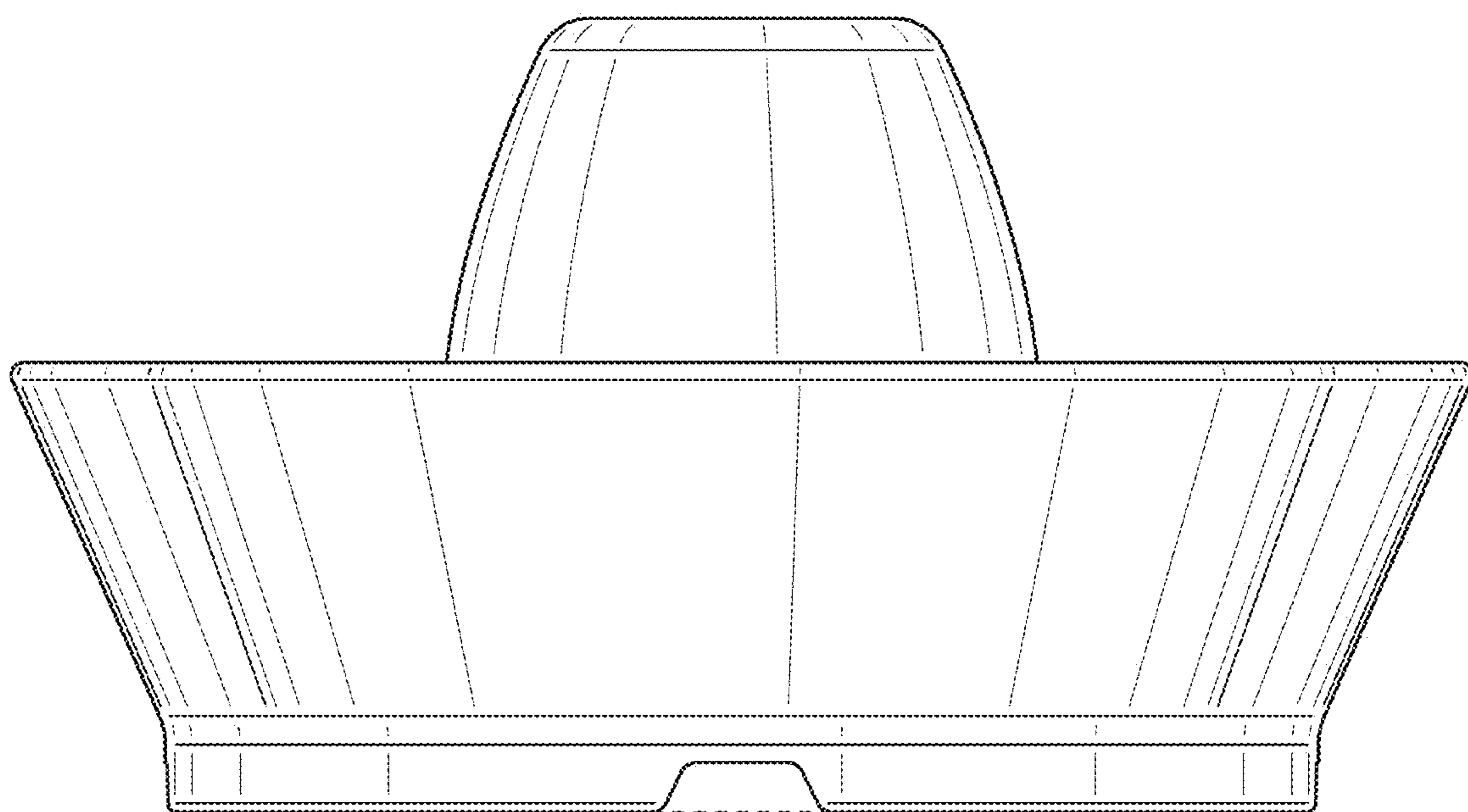


FIG. 4

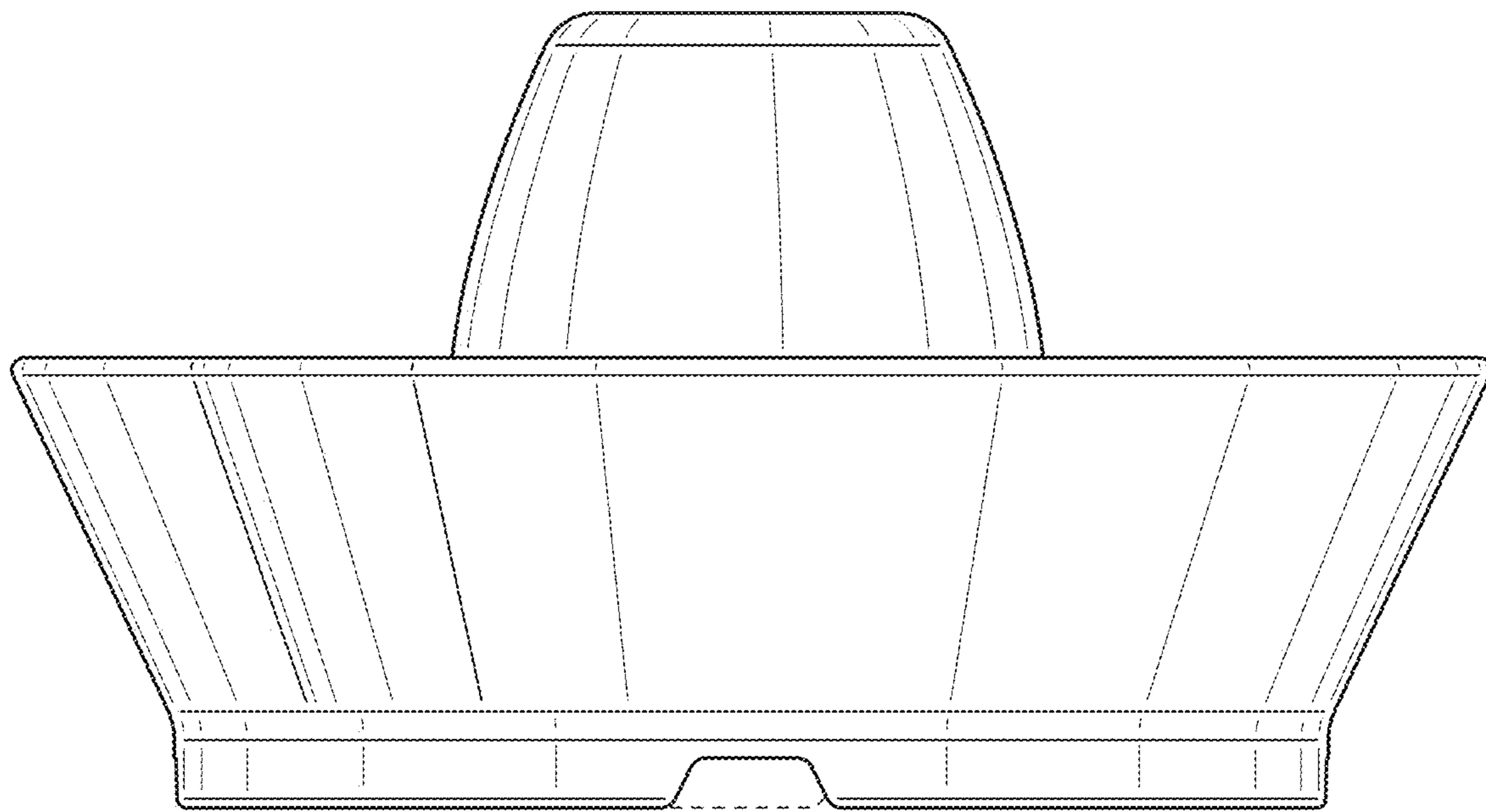


FIG. 5

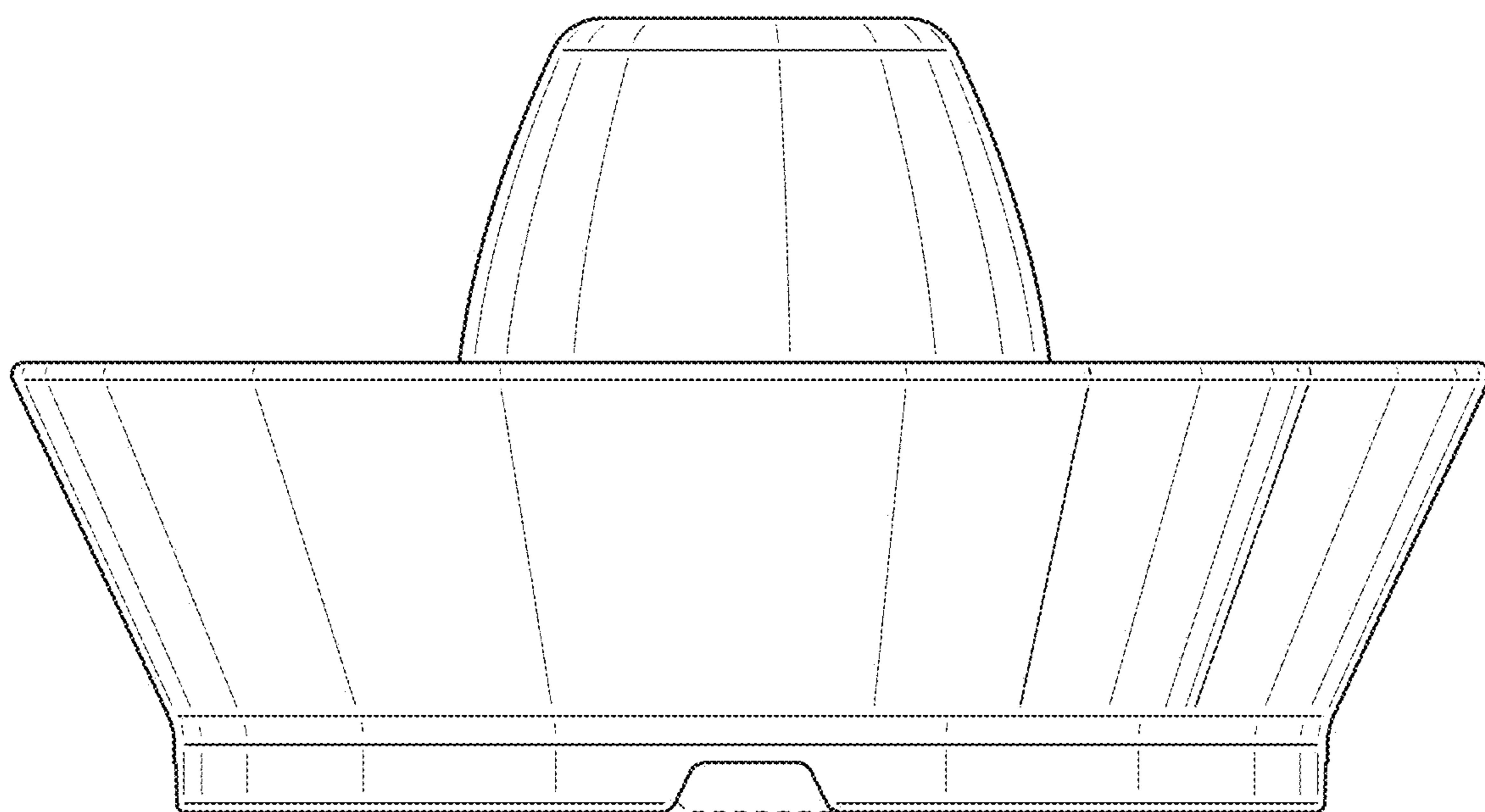


FIG. 6

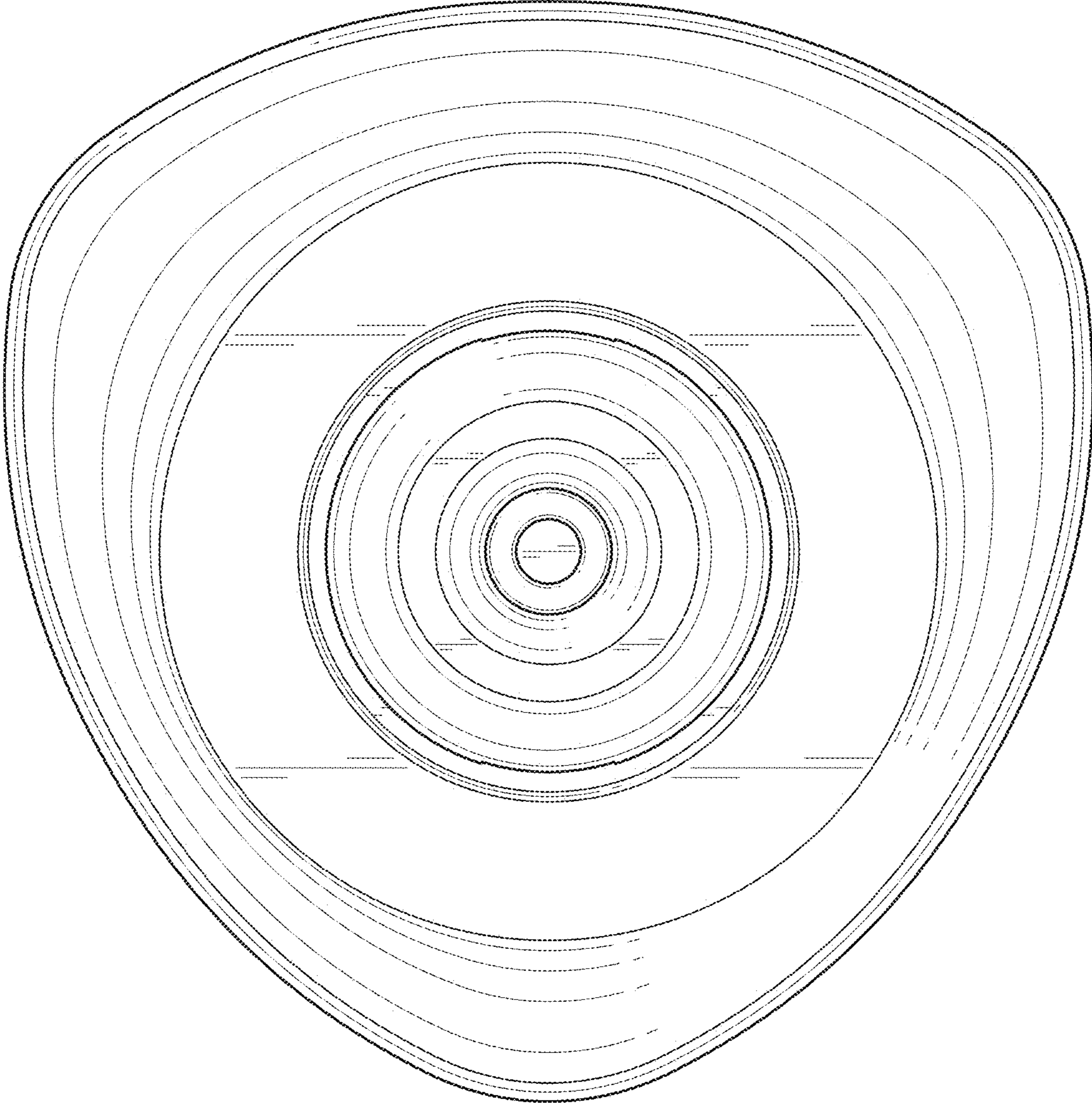


FIG. 7

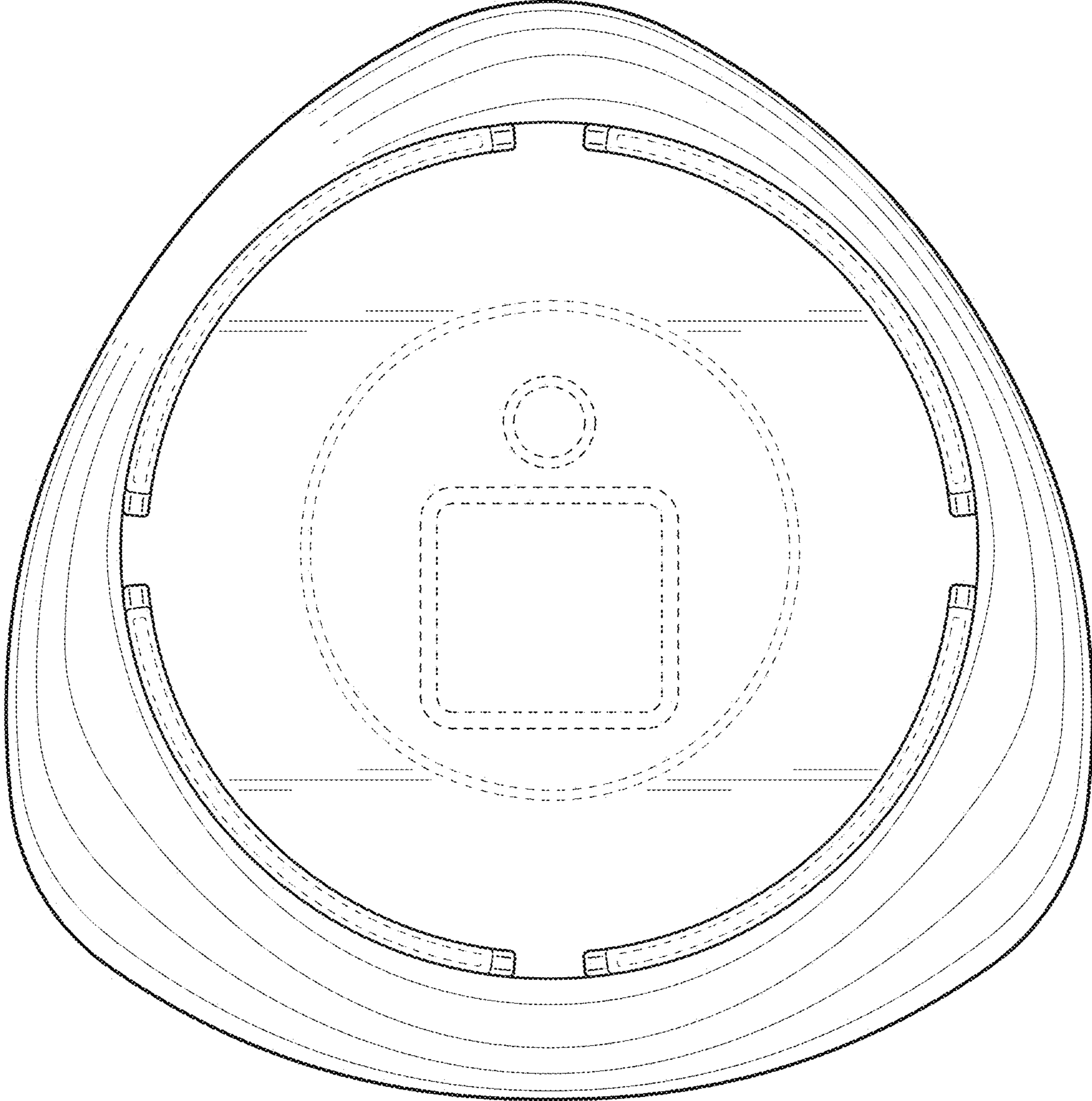


FIG. 8