



US00D987208S

(12) **United States Design Patent**
Huang

(10) **Patent No.:** **US D987,208 S**

(45) **Date of Patent:** **** May 23, 2023**

(54) **PET FEEDER**

D922,000 S * 6/2021 Peng D30/131
D929,672 S 8/2021 Hoover
D930,915 S 9/2021 Wu

(71) Applicant: **Mengmeng Huang**, Guangdong (CN)

(72) Inventor: **Mengmeng Huang**, Guangdong (CN)

(**) Term: **15 Years**

(21) Appl. No.: **29/814,604**

(22) Filed: **Nov. 8, 2021**

(51) **LOC (14) Cl.** **30-03**

(52) **U.S. Cl.**
USPC **D30/130; D30/131; D30/133**

(58) **Field of Classification Search**
USPC D30/110, 114, 115, 116, 121, 122, 124,
D30/125, 127, 128, 129, 130, 131, 132,
D30/133; D7/566, 587; D21/340
CPC A01K 5/0114; A01K 5/0121; A01K 5/02;
A01K 5/0291; A01K 5/025; A01K
5/0266; A01K 5/0275; A01K 5/0283;
A01K 5/0258; A01K 5/0142; A01K
5/0233; A01K 29/00; A01K 7/00; G01F
11/24; G01F 23/02; B67D 1/0425; B67D
1/04; B67D 1/00; B67D 1/02; B67D
1/0871; B67D 1/0802; A47J 41/0033;
A47J 41/005; A47J 41/0088; A47J
41/0094; A47J 41/04; A47J 41/053; B05B
11/00; B05B 11/0002; B05B 11/0005;
B05B 11/001; C02F 1/003; C02F 1/283;
C02F 2307/02

See application file for complete search history.

(56) **References Cited**

U.S. PATENT DOCUMENTS

D228,107 S * 8/1973 Klotz et al. D6/691.8
D310,603 S * 9/1990 Keller D6/349
D494,714 S * 8/2004 Sellers D30/129
D659,443 S * 5/2012 Hallberg D6/718.25
D890,447 S * 7/2020 Gao D30/131

OTHER PUBLICATIONS

Annecy Elevated Dog Bowls. Annecy, amazon.com (online) 2 pages. Posted Oct. 11, 2021. [Retrieved Jul. 25, 2022] <https://a.co/d/7TMmu14> (Year: 2021).*

Keebofly Dog Bowls Elevated. Keebofly, amazon.com (online) 3 pages. Posted Nov. 18, 2021. [Retrieved Jul. 25, 2022] <https://a.co/d/e5v1HyP> (Year: 2021).*

* cited by examiner

Primary Examiner — Rebekah A Caruso

Assistant Examiner — Cole Sanders Holman

(74) *Attorney, Agent, or Firm* — Georgi Korobanov

(57) **CLAIM**

The ornamental design for a pet feeder, as shown and described.

DESCRIPTION

FIG. 1 is a top, front, left side perspective view of a pet feeder showing my new design;

FIG. 2 is a front elevation view thereof;

FIG. 3 is a rear elevation view thereof;

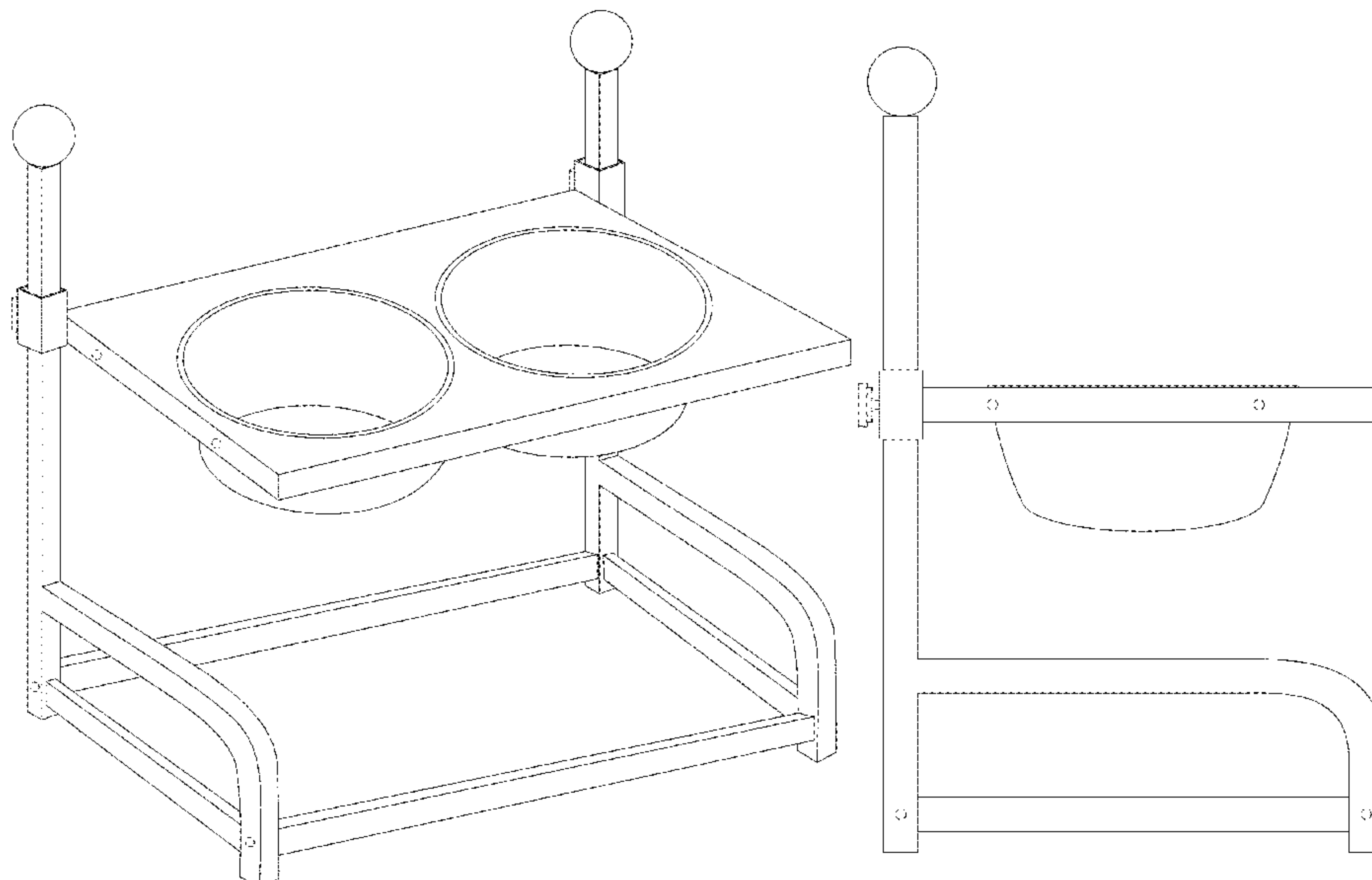
FIG. 4 is an enlarged left side elevation view thereof, provided for clarity of illustration, the right side elevation view being a mirror image of the enlarged left side elevation view;

FIG. 5 is an enlarged top plan view thereof, provided for clarity of illustration; and,

FIG. 6 is an enlarged bottom plan view thereof, provided for clarity of illustration.

The broken lines in the drawings illustrate portions of the pet feeder that form no part of the claimed design.

1 Claim, 6 Drawing Sheets



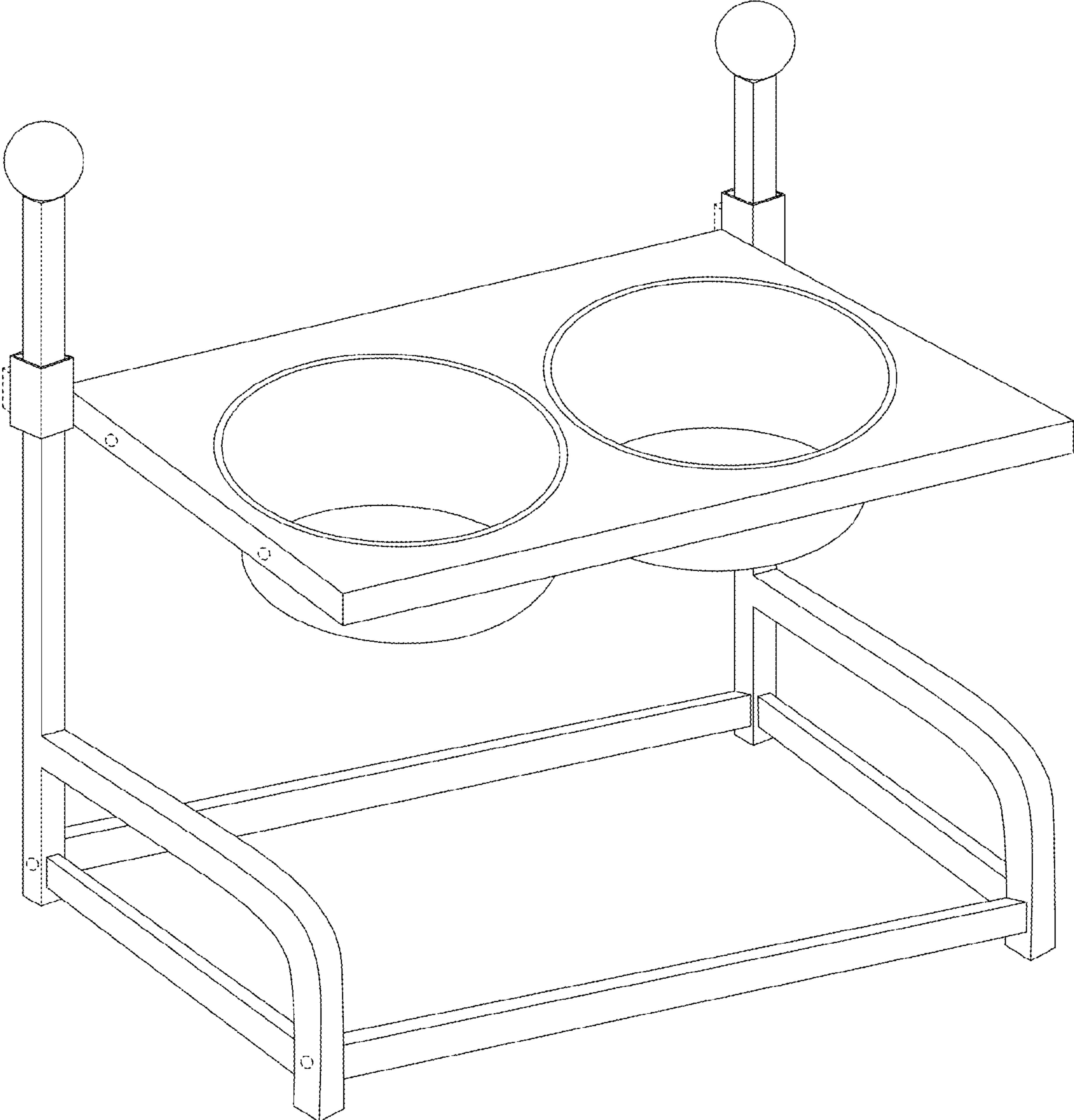


FIG. 1

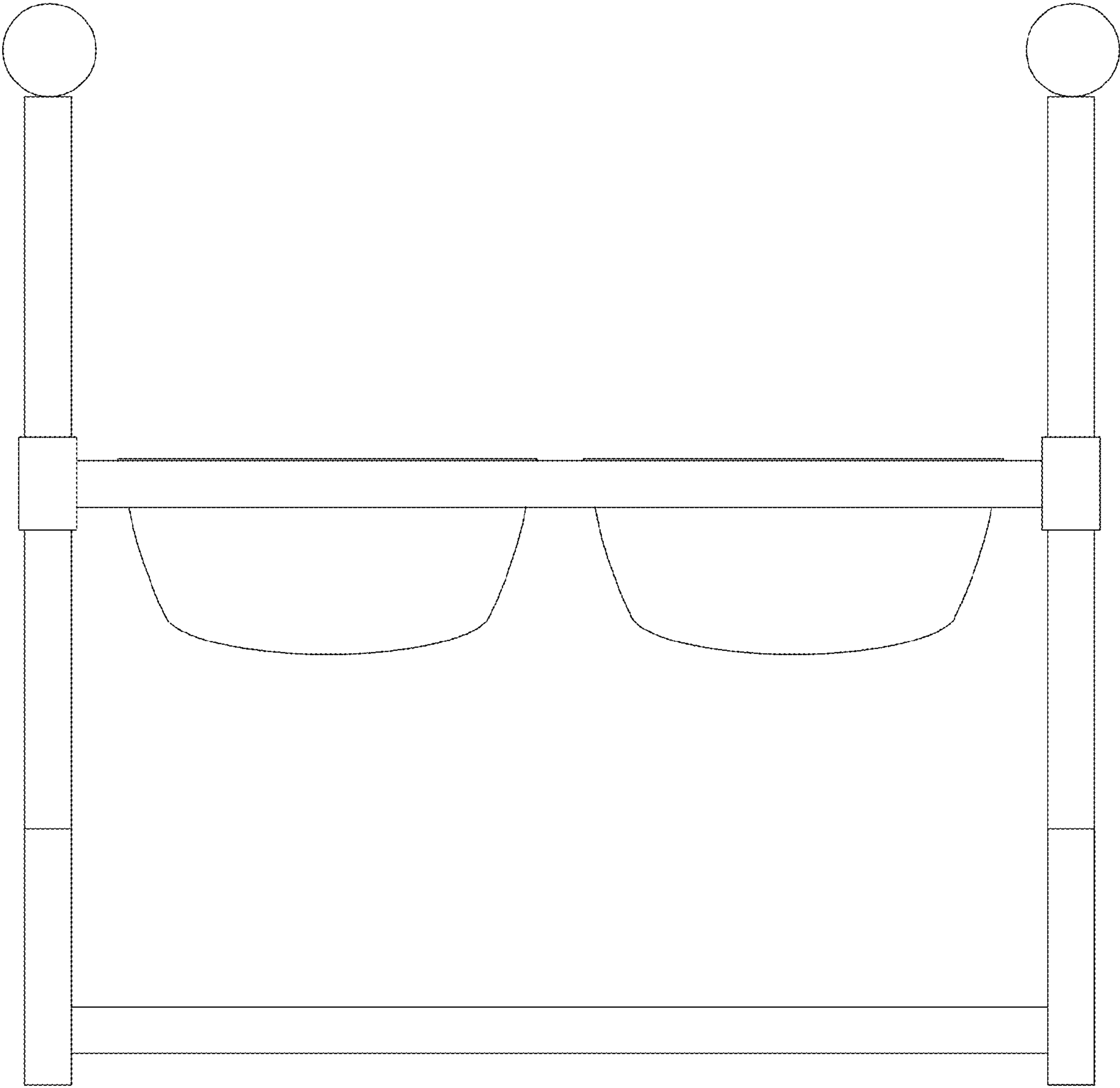


FIG. 2

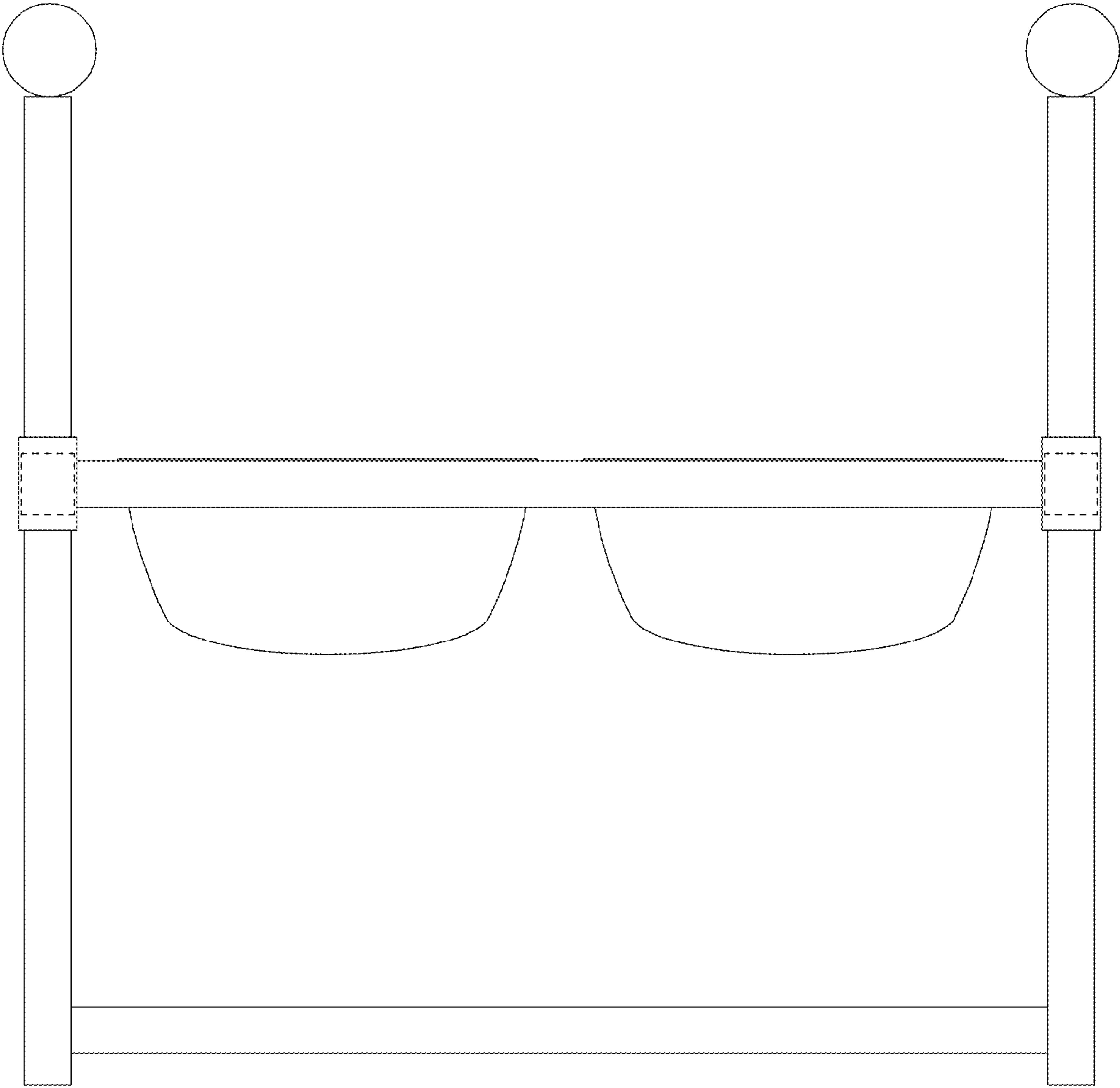


FIG. 3

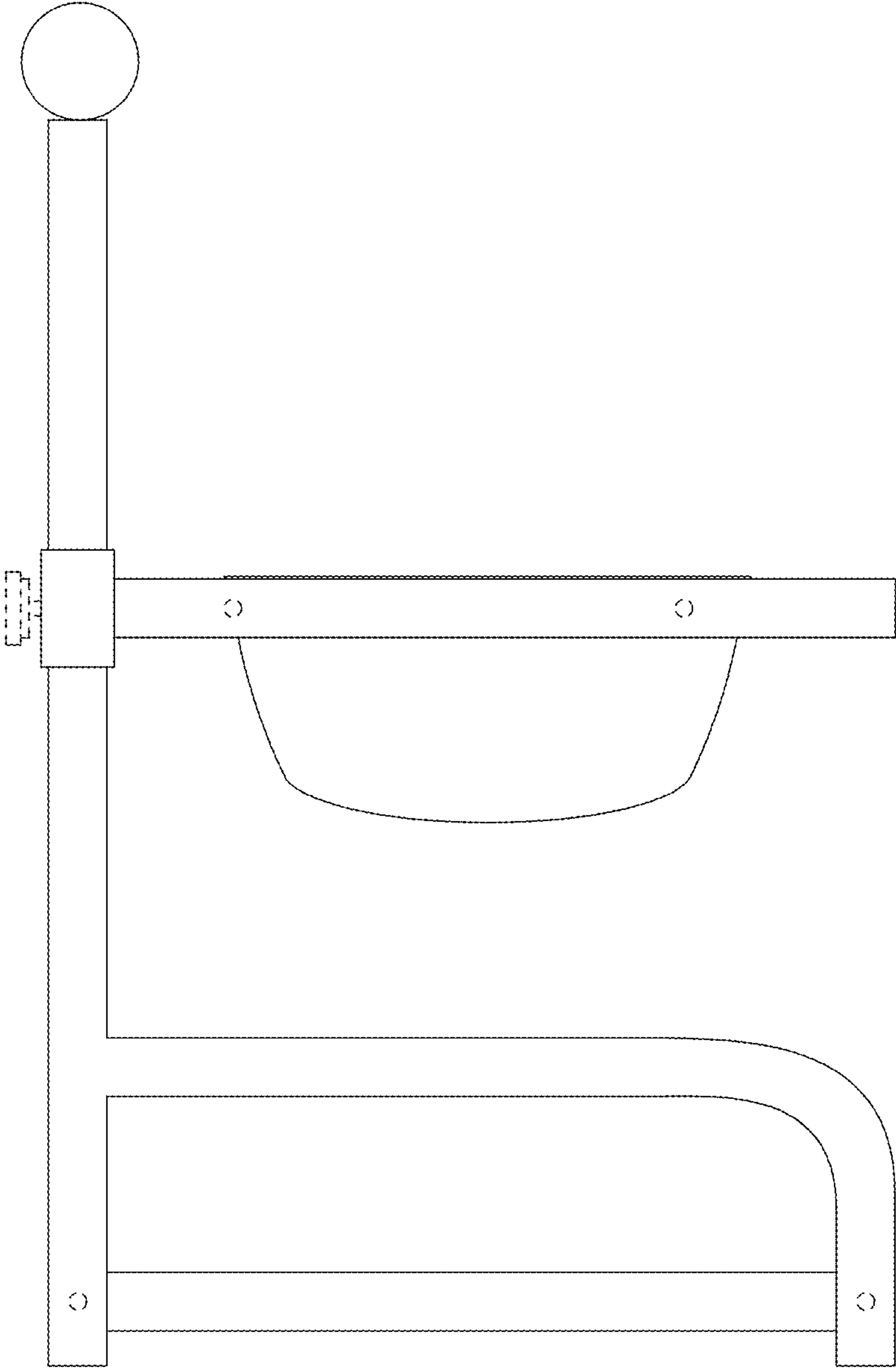


FIG. 4

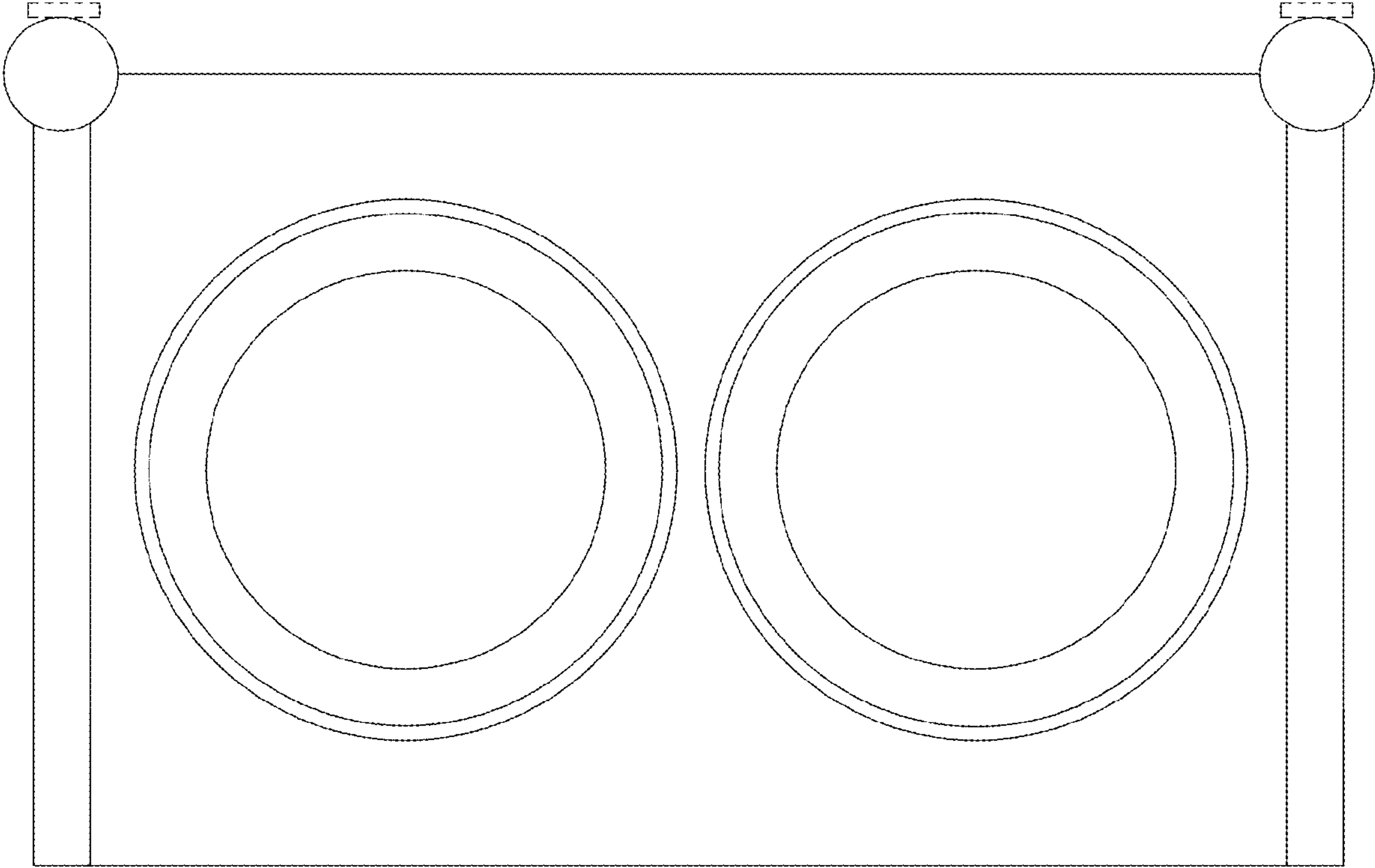


FIG. 5

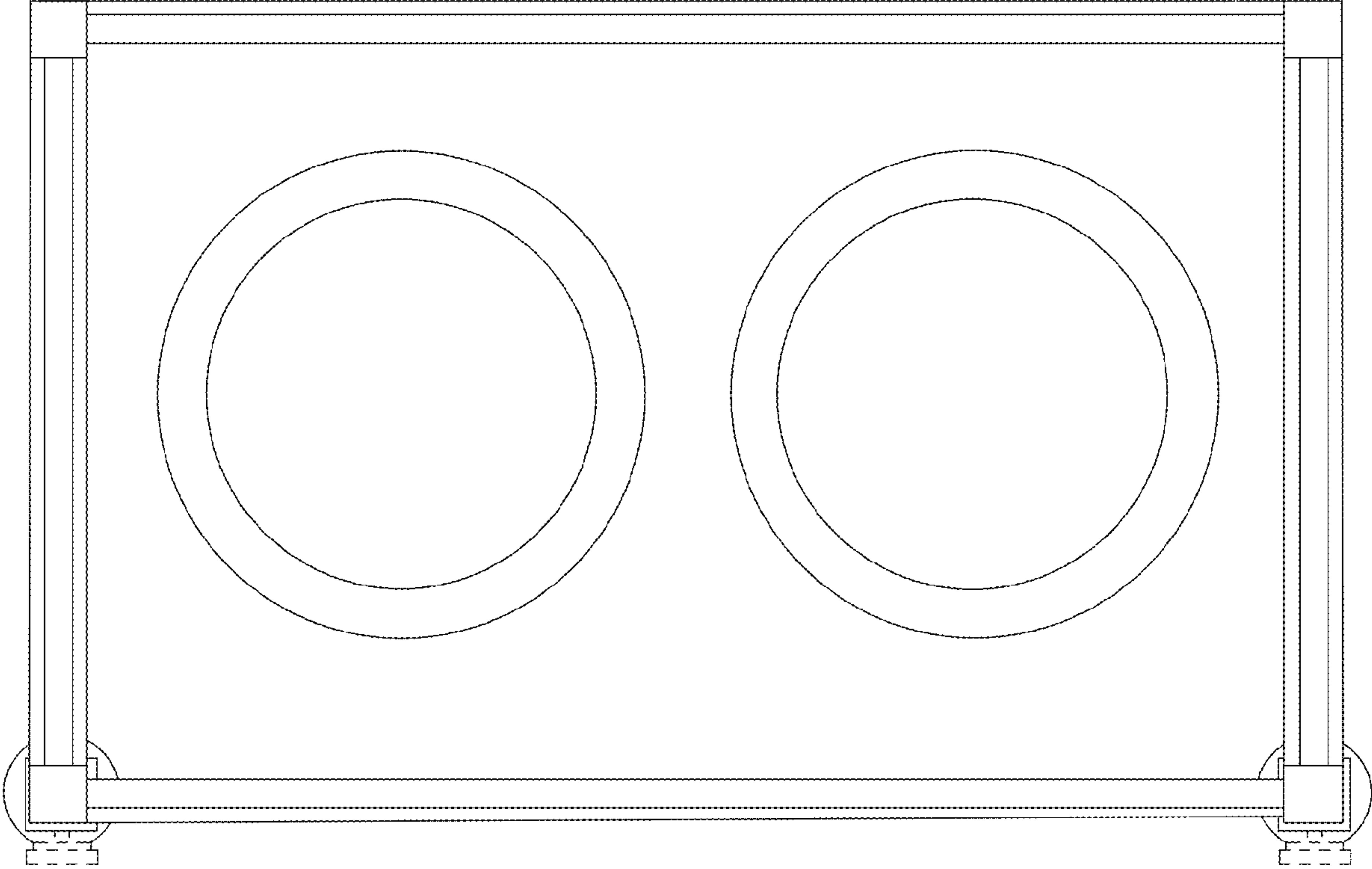


FIG. 6