



US00D987207S

(12) **United States Design Patent**
Wu et al.

(10) **Patent No.:** **US D987,207 S**
(45) **Date of Patent:** **** May 23, 2023**

(54) **PET BOWL WITH WEIGHING SCALE**

(71) Applicant: **Beijing Kitten & Puppy Technology Co., Ltd.**, Beijing (CN)

(72) Inventors: **Jin Wu**, Beijing (CN); **Jiefeng Liu**, Beijing (CN); **Lianhong Niu**, Beijing (CN)

(73) Assignee: **Beijing Kitten & Puppy Technology Co., Ltd.**, Beijing (CN)

(**) Term: **15 Years**

(21) Appl. No.: **29/772,616**

(22) Filed: **Mar. 3, 2021**

(30) **Foreign Application Priority Data**

Nov. 27, 2020 (CN) 202030725837.9

(51) **LOC (14) Cl.** **30-03**

(52) **U.S. Cl.**
USPC **D30/129**

(58) **Field of Classification Search**
USPC D30/119, 121, 123, 129, 130, 131, 132, D30/133, 160, 199; D7/500, 509, 510, D7/550.1, 553.2, 553.3, 553.6, 553.7, D7/554.2, 554.3, 554.4, 557, 558, 559, D7/565, 584, 586, 587, 588, 589, 354, D7/603, 610, 629; D11/143, 152; D24/107, 121, 123; D9/721, 431; D6/656.11, 675.4, 676.4; D10/87, 88, 91
CPC .. A01K 1/0356; A01K 5/0107; A01K 5/0114; A01K 5/0121; A01K 5/0128; A01K 5/0135; A01K 5/00; A01K 5/01; A01K 7/005; A47G 19/02; A63F 7/041; A63F 7/044
See application file for complete search history.

(56) **References Cited**

U.S. PATENT DOCUMENTS

1,413,750 A * 4/1922 McCollough A01K 7/00 119/61.54
D96,552 S * 8/1935 Houghton, Jr. D30/129
D103,562 S * 3/1937 Cook D30/129
D127,306 S * 5/1941 Pearce A01K 7/00 131/242.6

(Continued)

FOREIGN PATENT DOCUMENTS

CN 201344 * 7/2022
EM 008443659-0001 * 3/2021
TW 217585-0001 * 3/2022

OTHER PUBLICATIONS

Pawbby Smart Pet Bowl, first available Jun. 6, 2021 [online] [retrieved Nov. 1, 2022]. Retrieved from internet <https://expo.tuya.com/product/842245> (Year: 2021).*

Pet Smart Weighing Bowl, posted date unknown [online], [retrieved Nov. 1, 2022]. Retrieved from internet <http://www.pawbby.com/Bowl> (Year: 2022).*

Primary Examiner — Sheryl Lane

Assistant Examiner — Emily A Caven

(74) *Attorney, Agent, or Firm* — Bayramoglu Law Offices LLC

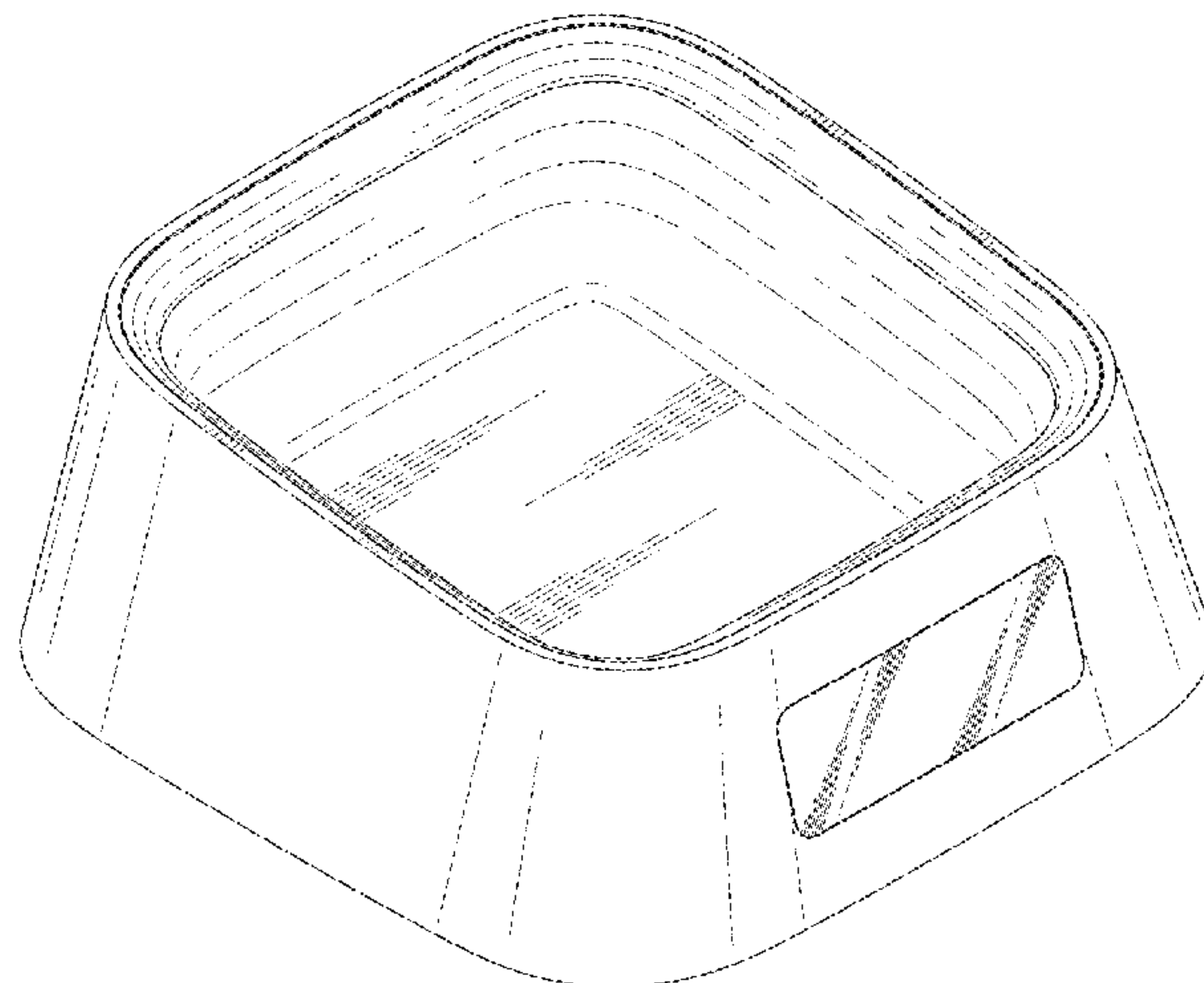
(57) **CLAIM**

The ornamental design for a pet bowl with weighing scale, as shown and described.

DESCRIPTION

FIG. 1 is a perspective view of a pet bowl with weighing scale showing our new design;
FIG. 2 is a front view thereof;
FIG. 3 is a back view thereof;
FIG. 4 is a left side view thereof;
FIG. 5 is a right side view thereof;
FIG. 6 is a top view thereof;
FIG. 7 is a bottom view thereof; and,
FIG. 8 is another perspective view thereof.
The broken lines illustrate portions of the pet bowl with weighing scale that form no part of the claimed design.

1 Claim, 8 Drawing Sheets



(56)

References Cited

U.S. PATENT DOCUMENTS

D208,181 S * 7/1967 Hirota D27/134
D232,564 S * 8/1974 Kissin D30/129
D289,246 S * 4/1987 Ritman D7/584
D299,768 S * 2/1989 Windom D30/129
D302,665 S * 8/1989 Busse D10/91
D312,895 S * 12/1990 Goetz D30/129
D331,538 S * 12/1992 Fabre D9/455
D340,761 S * 10/1993 Long D30/129
D449,137 S * 10/2001 Newman D30/129
D479,438 S * 9/2003 De Neubourg D7/545
D563,606 S * 3/2008 Hood D30/129
D646,969 S * 10/2011 Snedden D9/425
D653,088 S * 1/2012 Hansen A01K 5/0114
D706,995 S * 6/2014 Modi D30/129
D724,274 S * 3/2015 Ylisassi B65D 43/0204
D771,878 S * 11/2016 Zhang A01K 5/0114
D788,539 S * 6/2017 Gebhardt D7/587
D833,088 S * 11/2018 Lu D30/129
D914,998 S * 3/2021 Fan D10/91
D930,916 S * 9/2021 Yi D10/91
2008/0203100 A1 * 8/2008 Young A01K 5/0114
2018/0242553 A1 * 8/2018 Nemeth B65D 43/0204

* cited by examiner

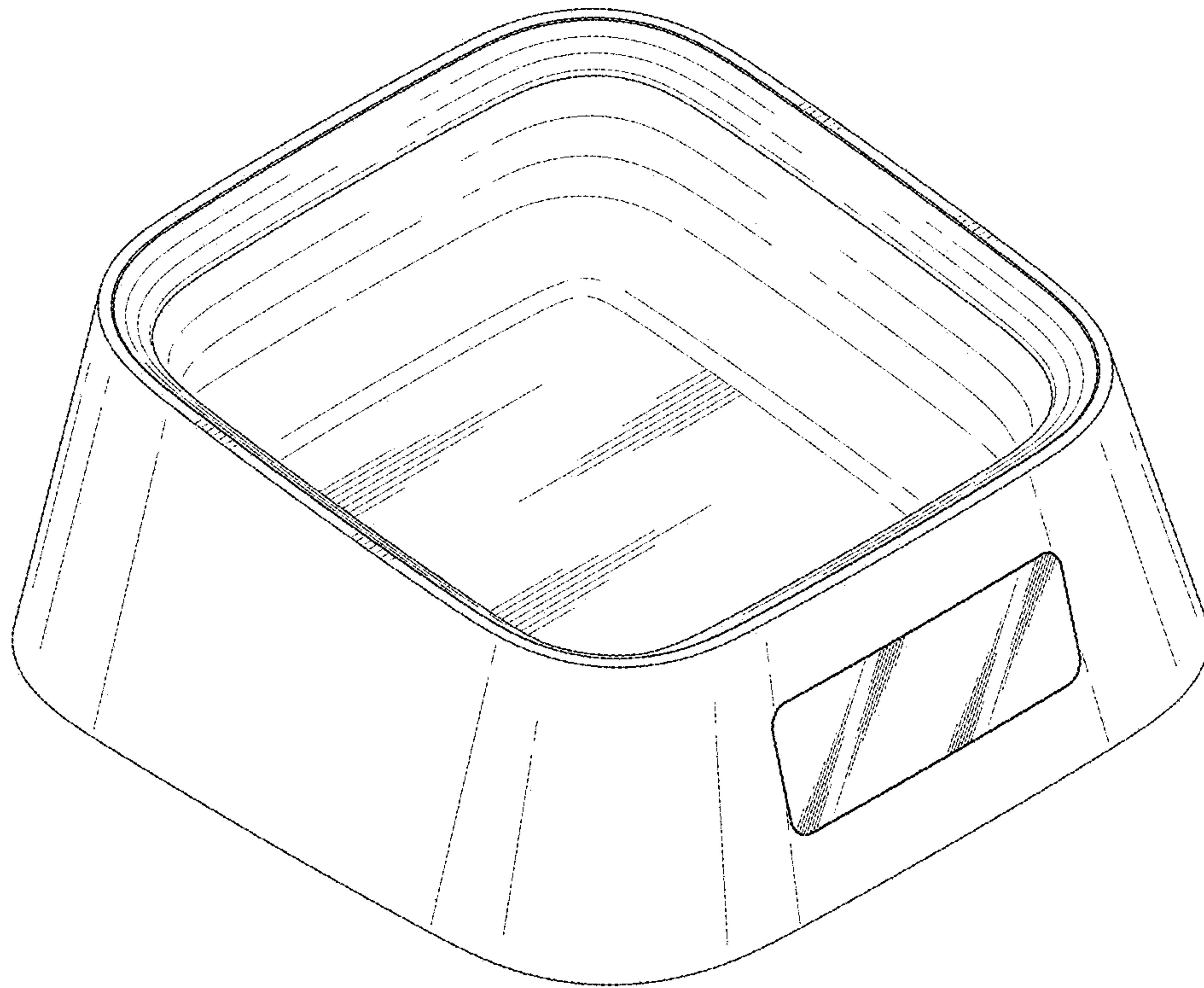


FIG.1

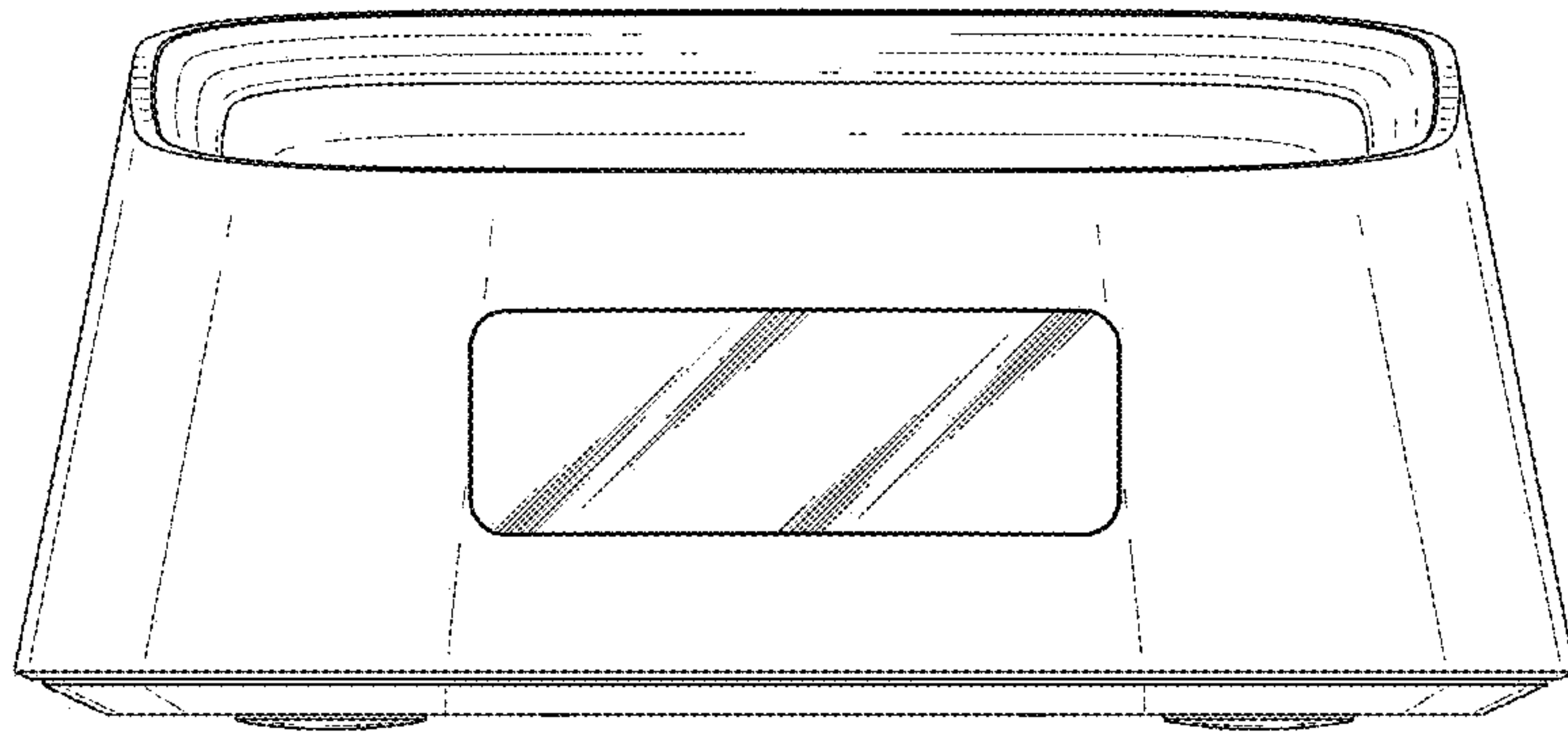


FIG.2

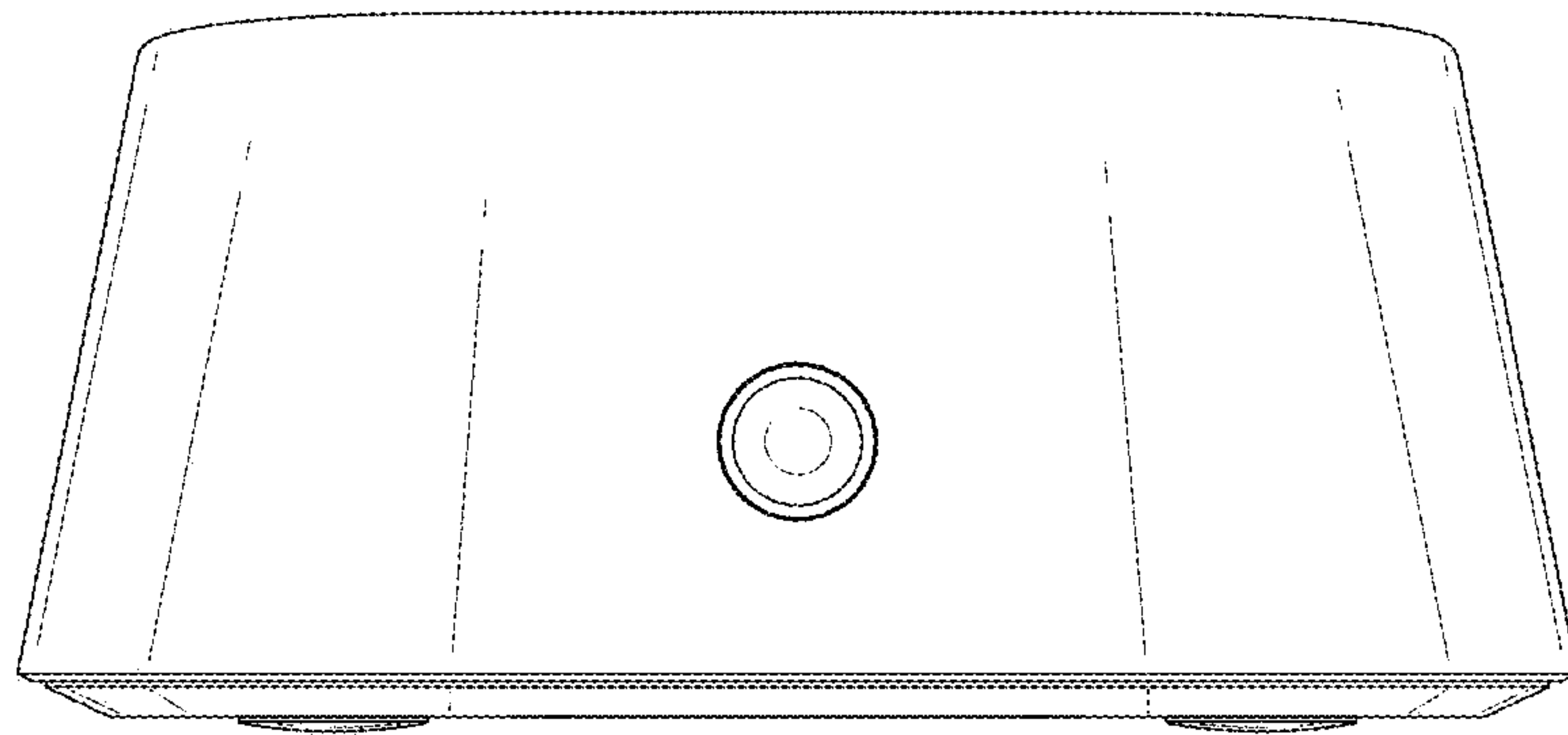


FIG.3

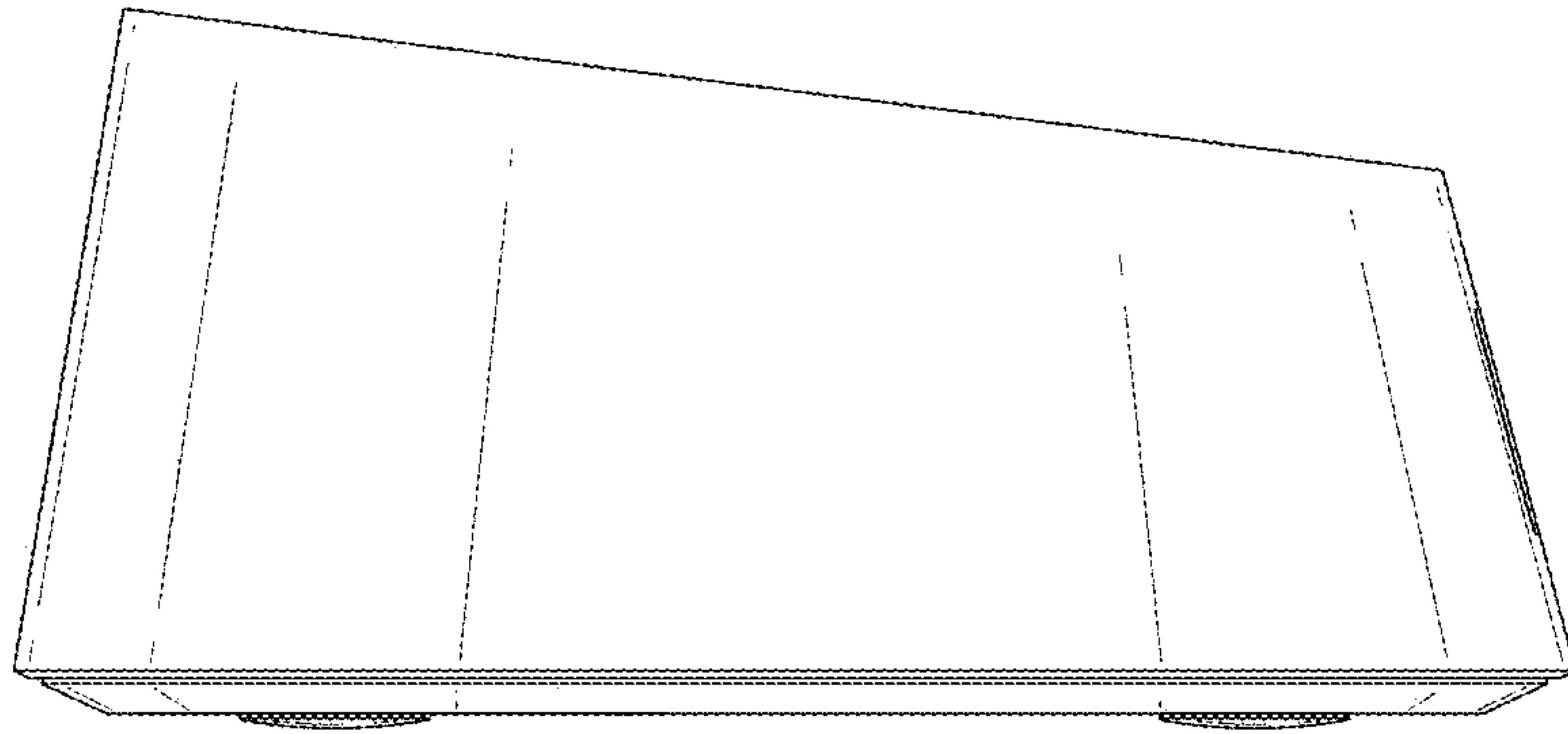


FIG.4

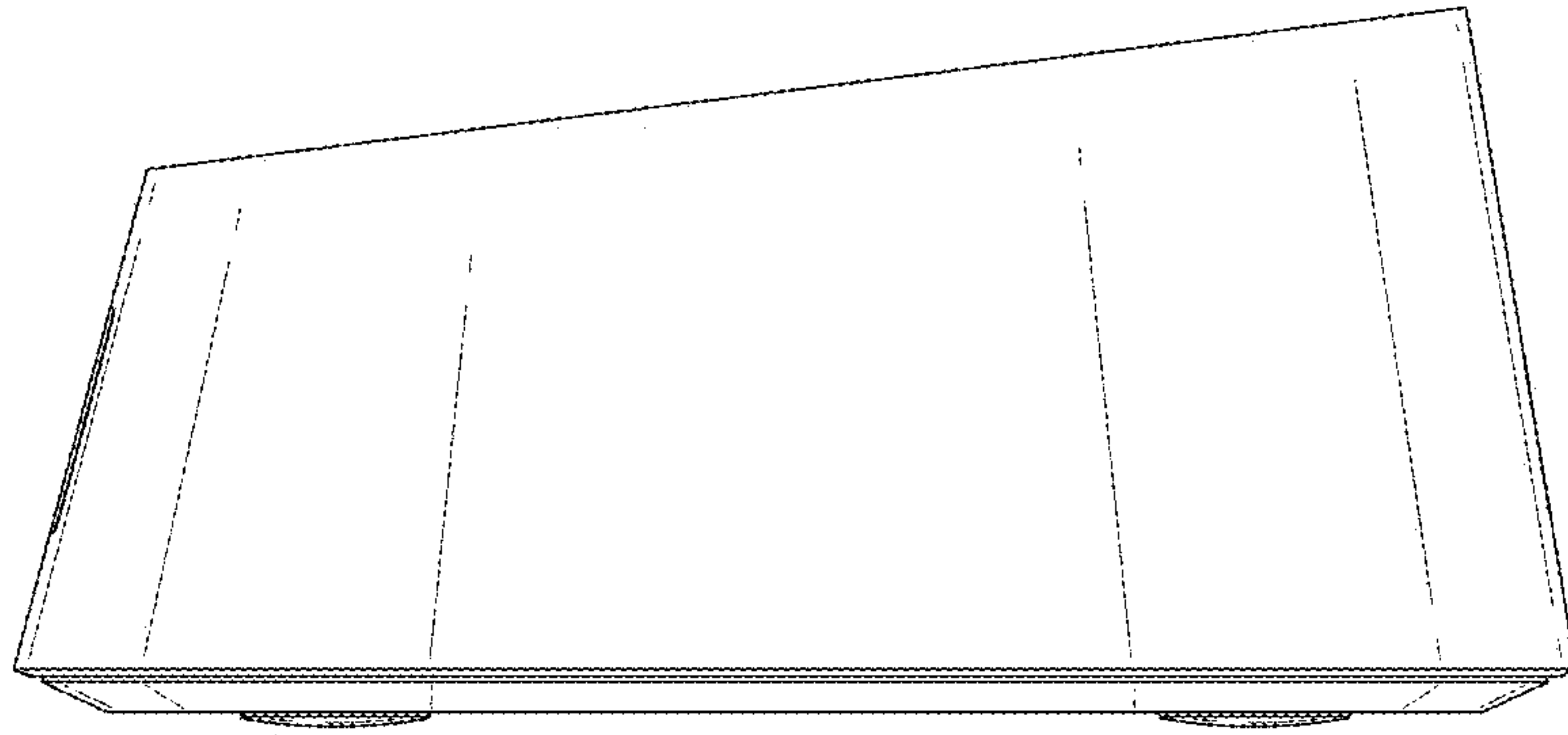


FIG.5

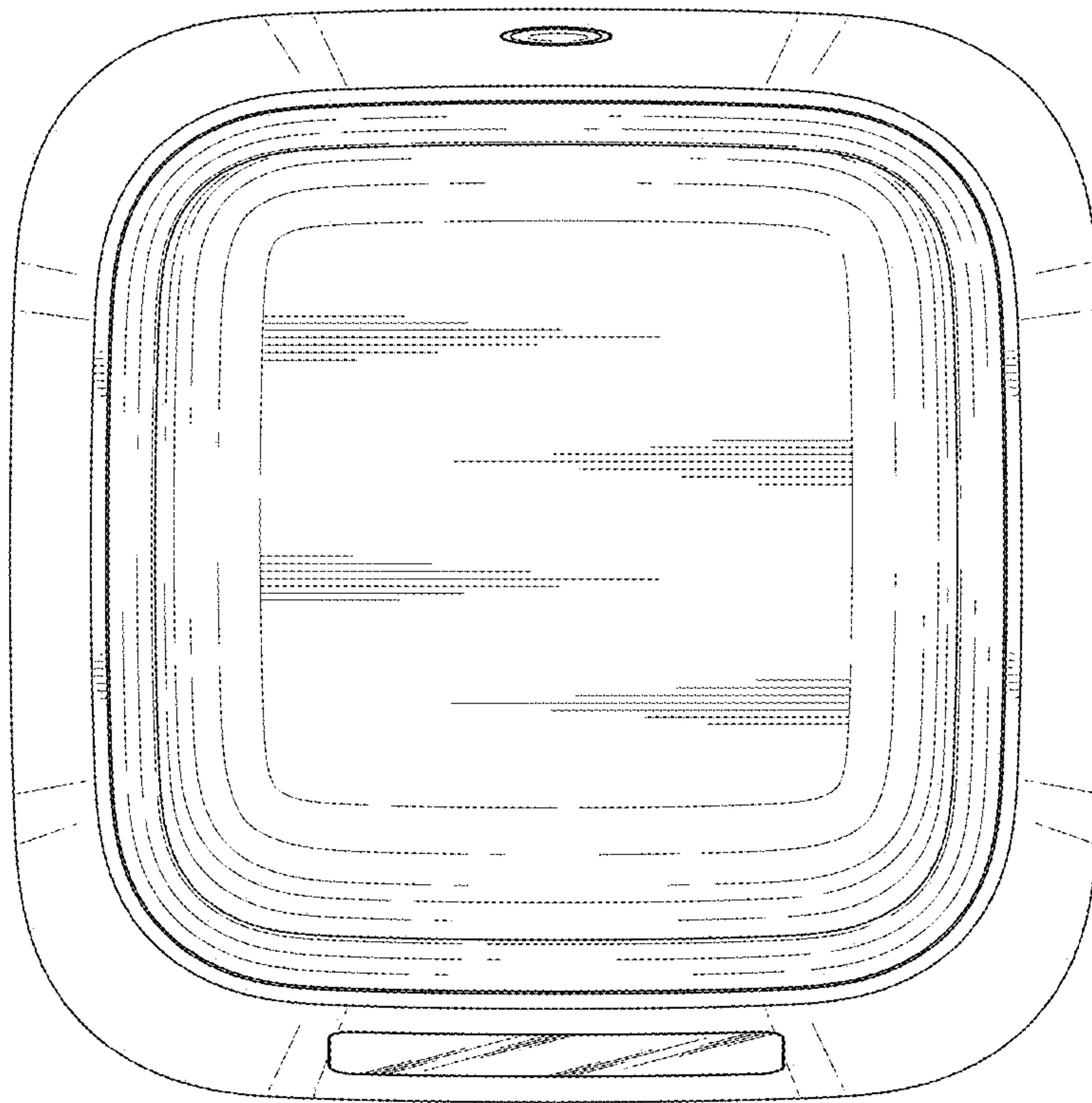


FIG.6

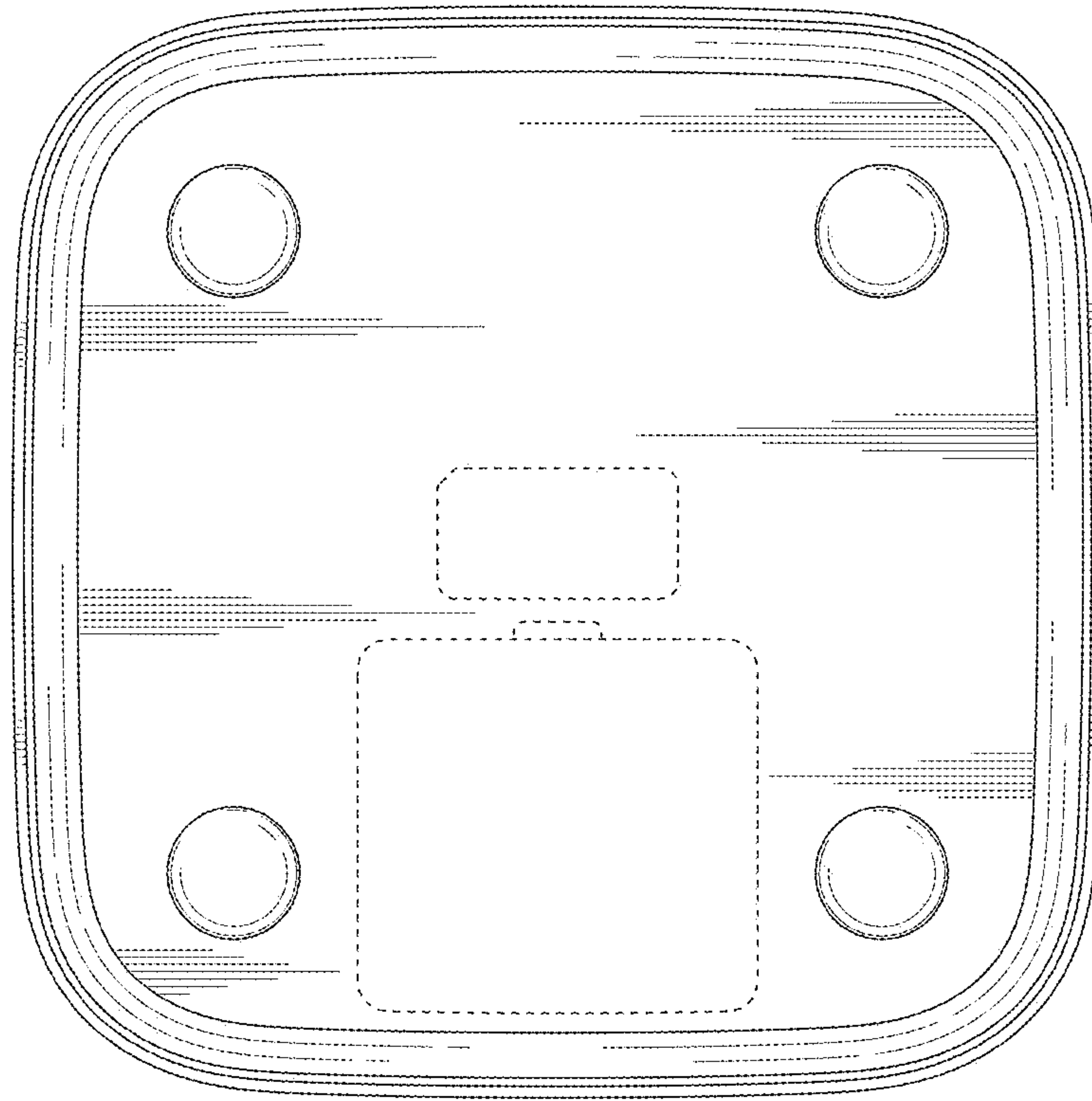


FIG. 7

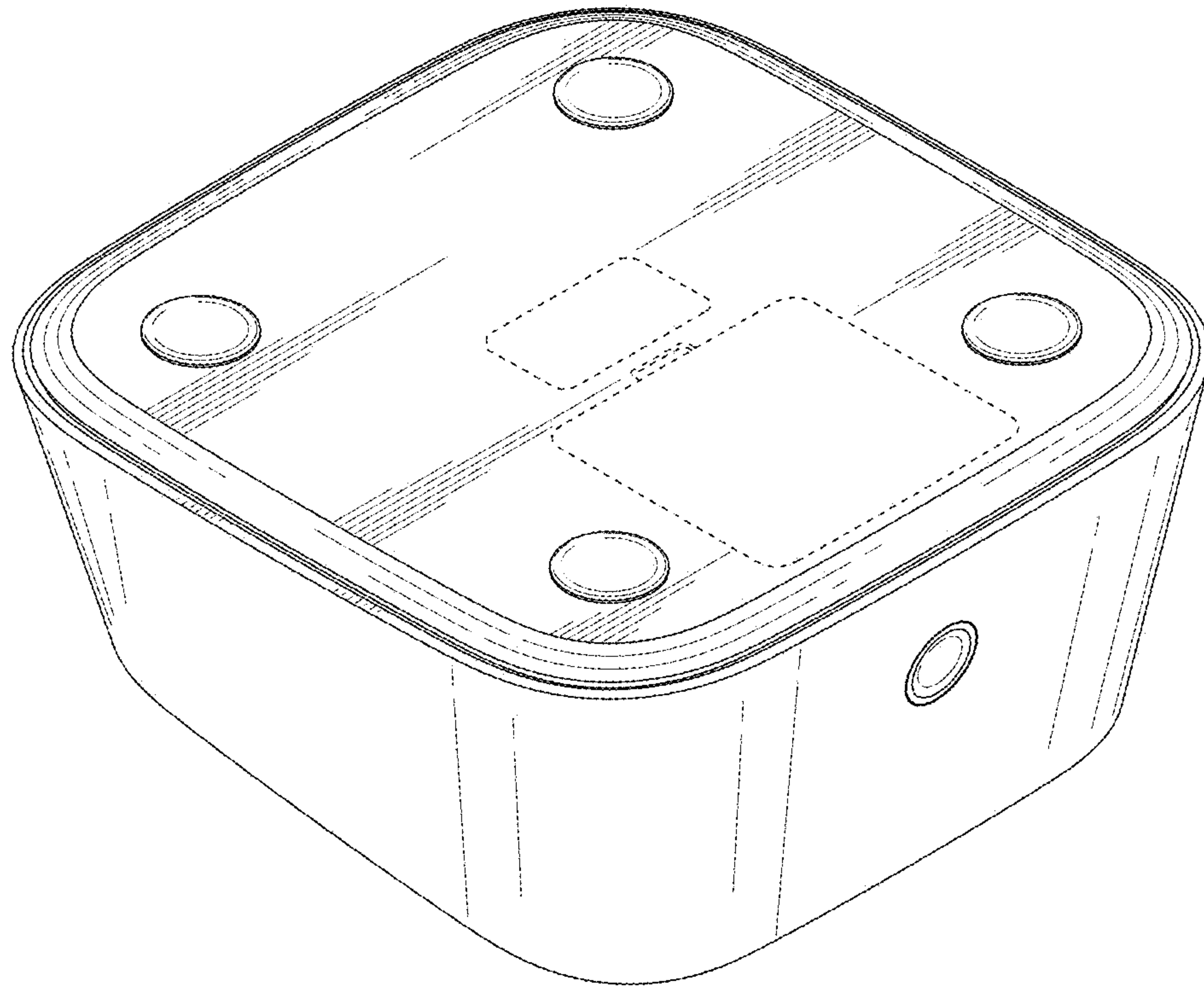


FIG.8