



US00D987203S

(12) **United States Design Patent** (10) **Patent No.:** **US D987,203 S**  
**Ren** (45) **Date of Patent:** **\*\* May 23, 2023**

(54) **PET FEEDER**

(71) Applicant: **SHENZHEN KEEKOONVISION TECHNOLOGY CO., LTD**, Shenzhen (CN)

(72) Inventor: **Zeming Ren**, Shenzhen (CN)

(73) Assignee: **SHENZHEN KEEKOONVISION TECHNOLOGY CO., LTD**, Shenzhen (CN)

(\*\*) Term: **15 Years**

(21) Appl. No.: **29/814,179**

(22) Filed: **Nov. 4, 2021**

(30) **Foreign Application Priority Data**

Oct. 21, 2021 (CN) ..... 202130691732.0

(51) **LOC (14) Cl.** ..... **30-07**

(52) **U.S. Cl.**  
USPC ..... **D30/122**

(58) **Field of Classification Search**  
USPC ..... D30/110, 114, 115, 116, 121, 122, 124, D30/125, 127, 128, 129, 130, 131, 132, D30/133; D7/566, 587; D21/340  
CPC ..... A01K 5/0114; A01K 5/0121; A01K 5/02; A01K 5/0291; A01K 5/025; A01K 5/0266; A01K 5/0275; A01K 5/0283; A01K 5/0258; A01K 5/0142; A01K 5/0233; A01K 29/00; A01K 7/00; G01F 11/24; G01F 23/02; B67D 1/0425; B67D 1/04; B67D 1/00; B67D 1/02; B67D 1/0871; B67D 1/0802; A47J 41/0033; A47J 41/005; A47J 41/0088; A47J 41/0094; A47J 41/04; A47J 41/053; B05B 11/00; B05B 11/0002; B05B 11/0005; B05B 11/001; C02F 1/003; C02F 1/283; C02F 2307/02

See application file for complete search history.

(56) **References Cited**

U.S. PATENT DOCUMENTS

D836,850	S	12/2018	Li	
D843,665	S	3/2019	Zeng	
D893,109	S *	8/2020	Zeng	D30/122
D920,592	S *	5/2021	Tang	D30/122
D939,784	S *	12/2021	Ren	D30/122
D946,216	S *	3/2022	Xiao	D30/122
2020/0100460	A1 *	4/2020	Chen	A01K 5/0225
2021/0000069	A1 *	1/2021	Ven	A01K 5/0258

OTHER PUBLICATIONS

Automatic Cat Feeder. Arespark, amazon.com (online) 12 pages. Posted Jul. 23, 2020. [Retrieved Jul. 19, 2022] <https://www.amazon.ca/Arespark-Automatic-Dispenser-Recorder-Programmable/dp/B08DJ5KPZ6?th=1> (Year: 2020).\*

(Continued)

*Primary Examiner* — Kathleen L Jones  
*Assistant Examiner* — Cole Sanders Holman

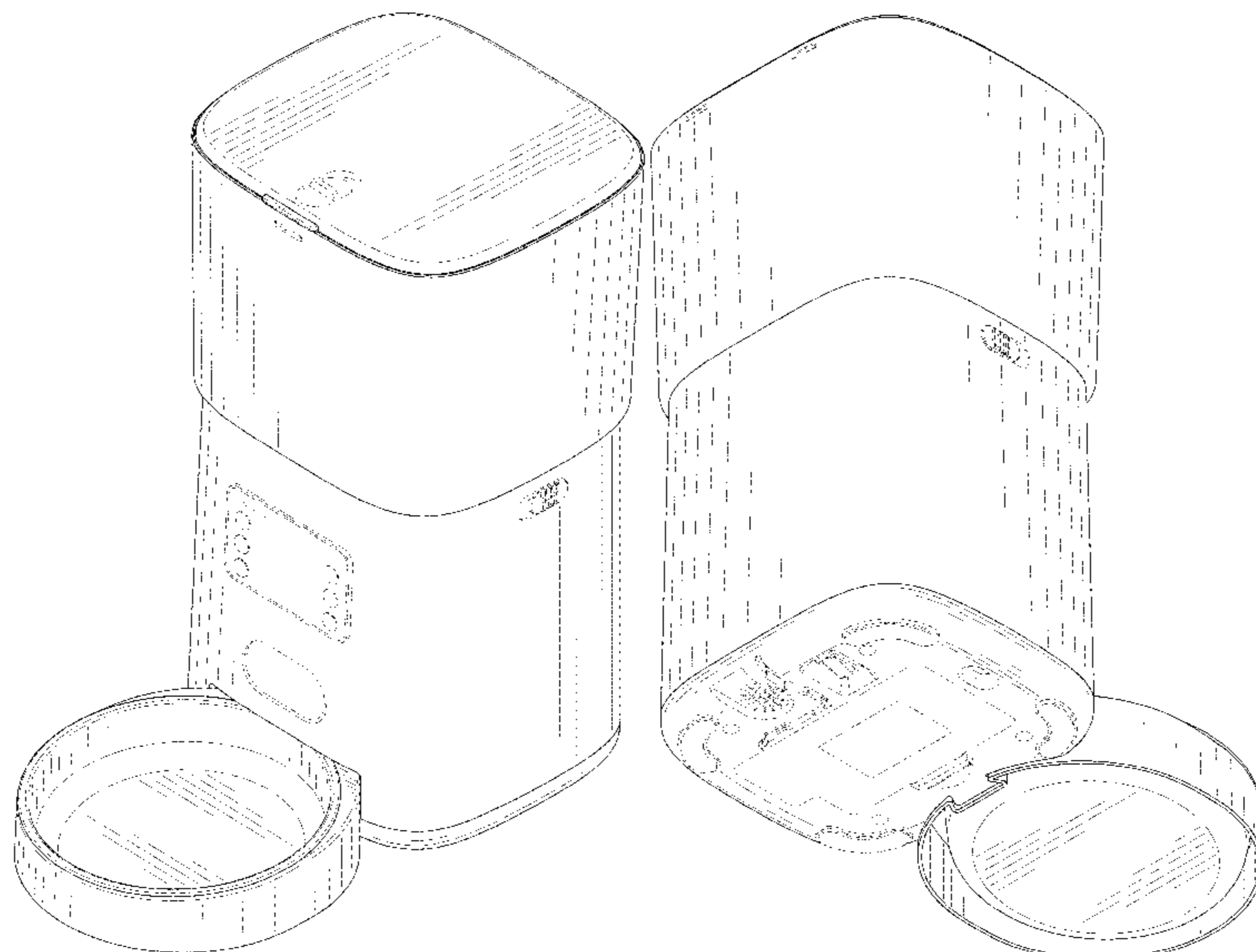
(57) **CLAIM**

The ornamental design for a pet feeder, as shown and described.

**DESCRIPTION**

FIG. 1 is a perspective view of a pet feeder showing my new design;  
FIG. 2 is another perspective view thereof;  
FIG. 3 is a front elevational view thereof;  
FIG. 4 is a rear elevational view thereof;  
FIG. 5 is a left side elevational view thereof;  
FIG. 6 is a right side elevational view thereof;  
FIG. 7 is a top plan view thereof; and,  
FIG. 8 is a bottom plan view thereof.  
The broken lines in the drawings depict portions of the pet feeder that form no part of the claimed design.

**1 Claim, 8 Drawing Sheets**



(56)

**References Cited**

OTHER PUBLICATIONS

Ciyas Automatic Cat Feeder. Ciyas, amazon.com (online) 11 pages. Posted Apr. 21, 2022. [Retrieved Jul. 19, 2022] <https://a.co/d/h26yFFS> (Year: 2022).\*

Ciyas Automatic Cat Feeder 5.6L. Ciyas, amazon.com (online) 11 pages. Posted Apr. 21, 2022. [Retrieved Jul. 19, 2022] <https://a.co/d/h26yFFS> (Year: 2022).\*

\* cited by examiner

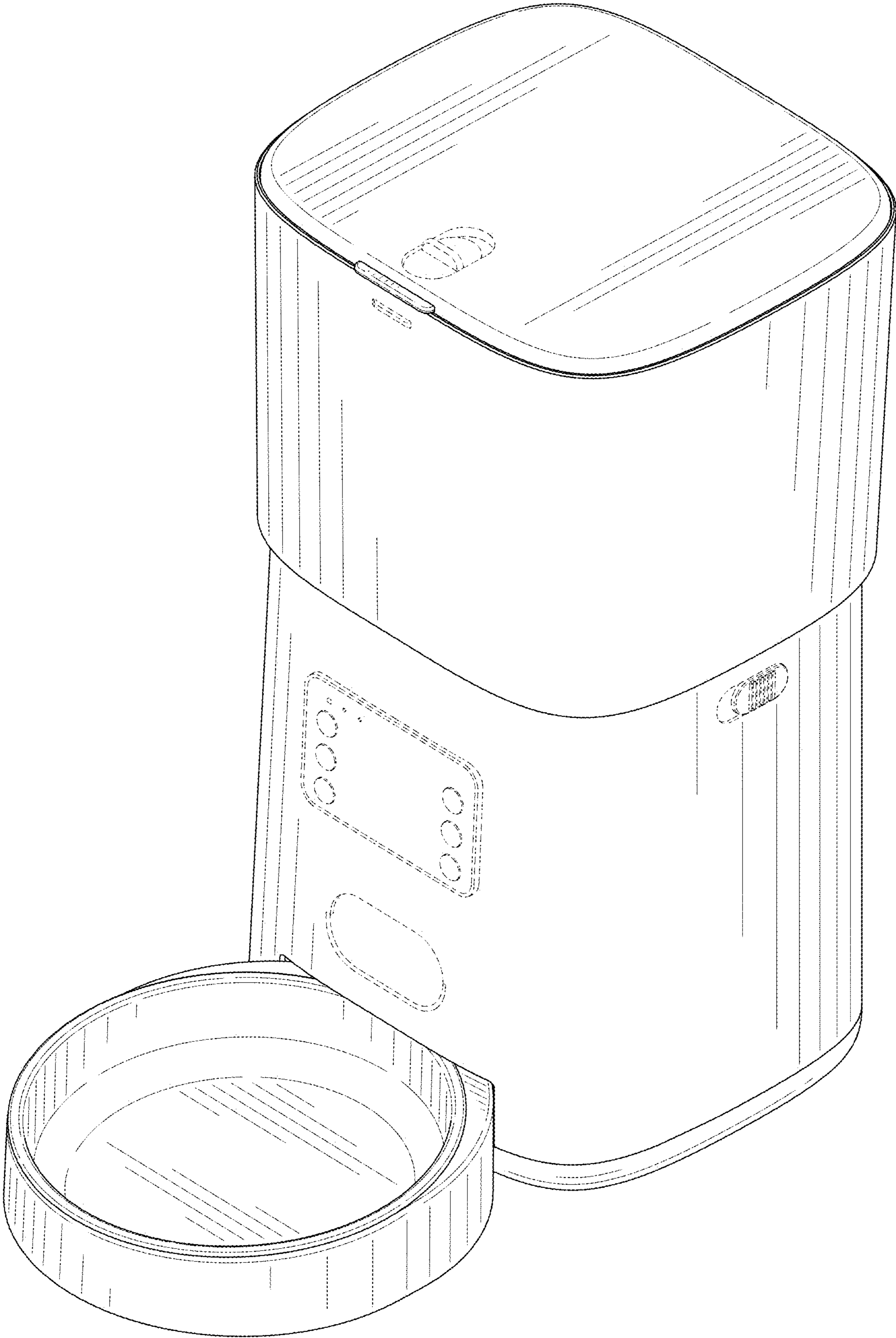


FIG. 1

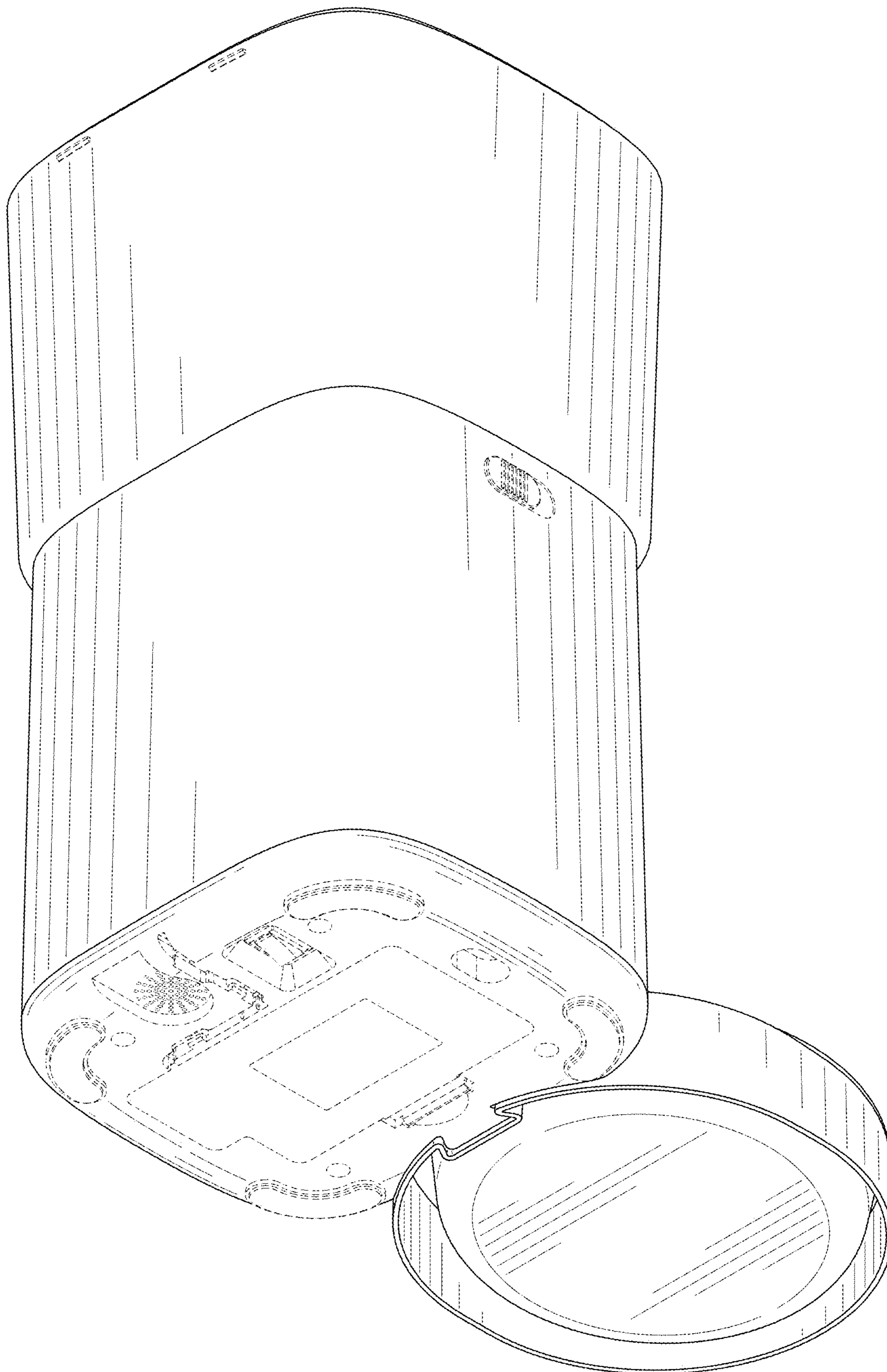


FIG. 2

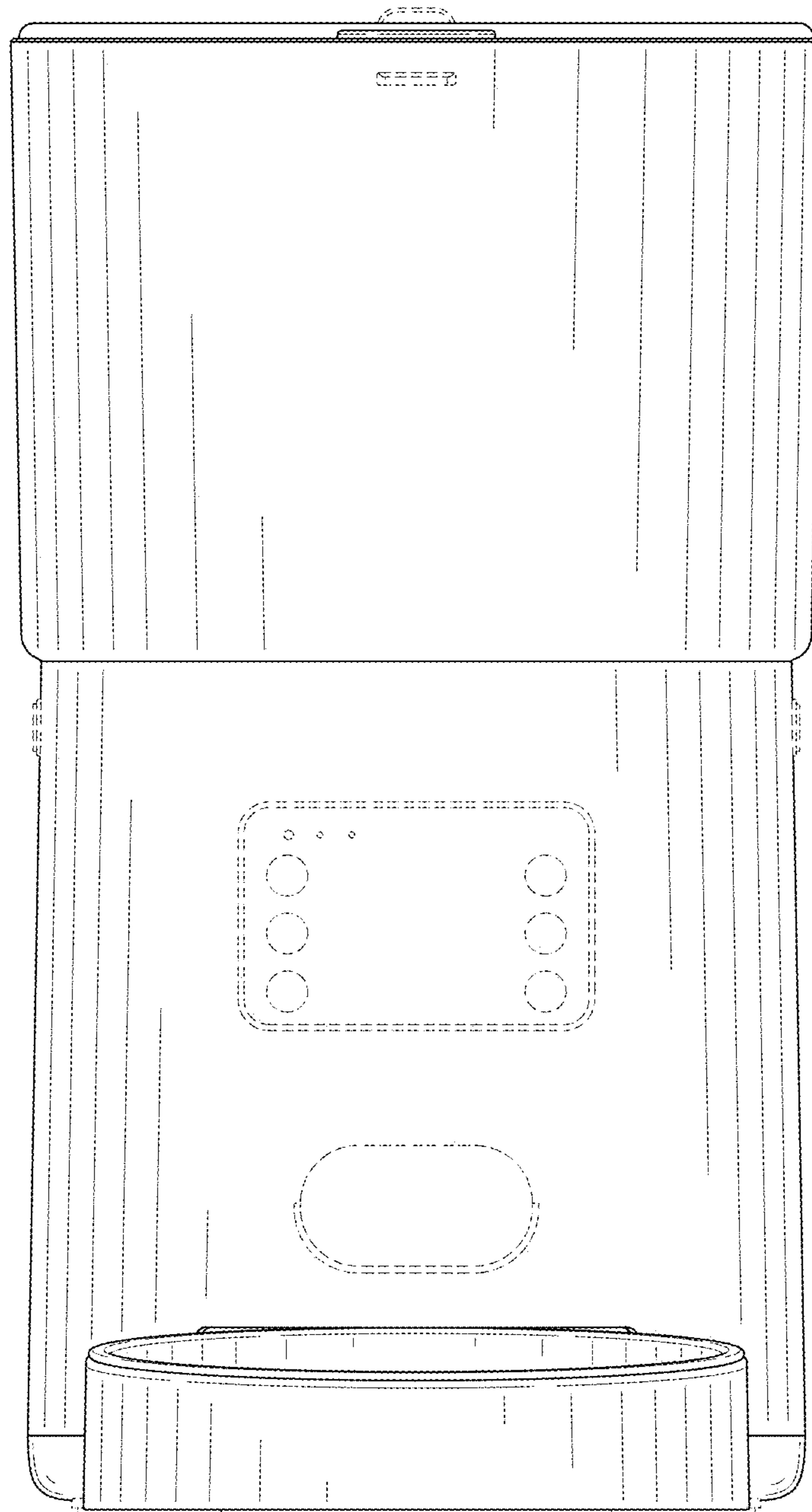


FIG. 3

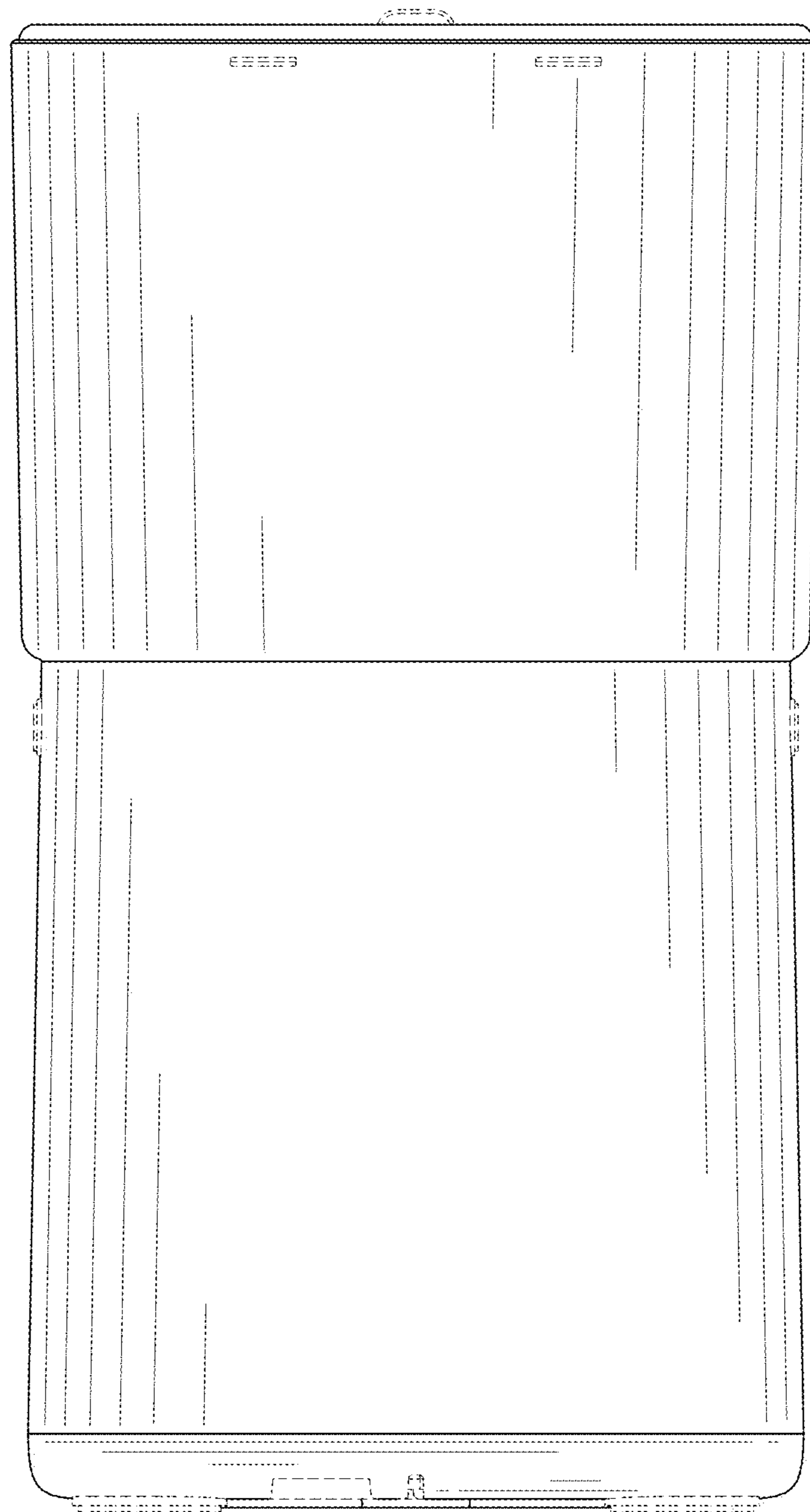


FIG. 4

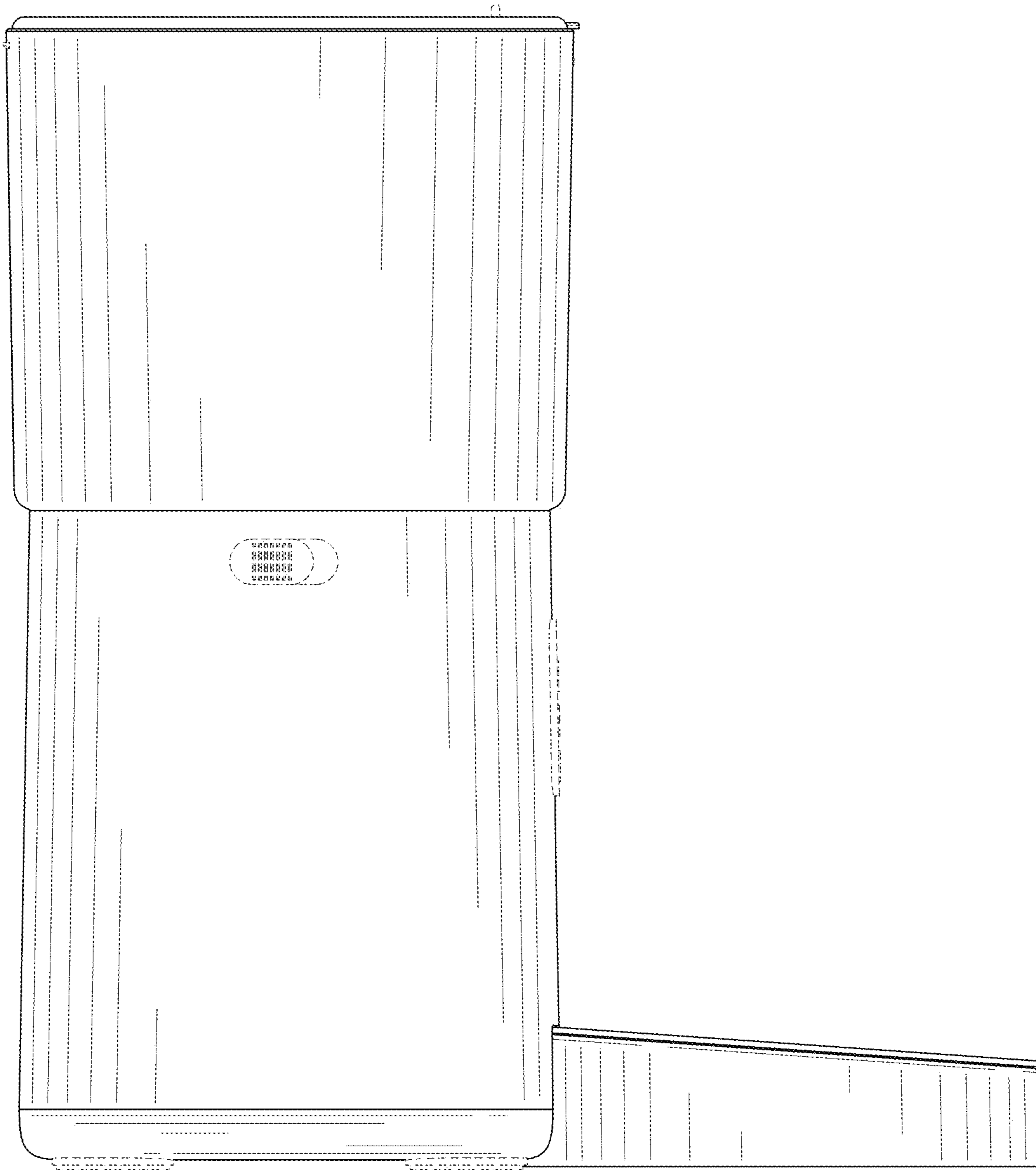


FIG. 5

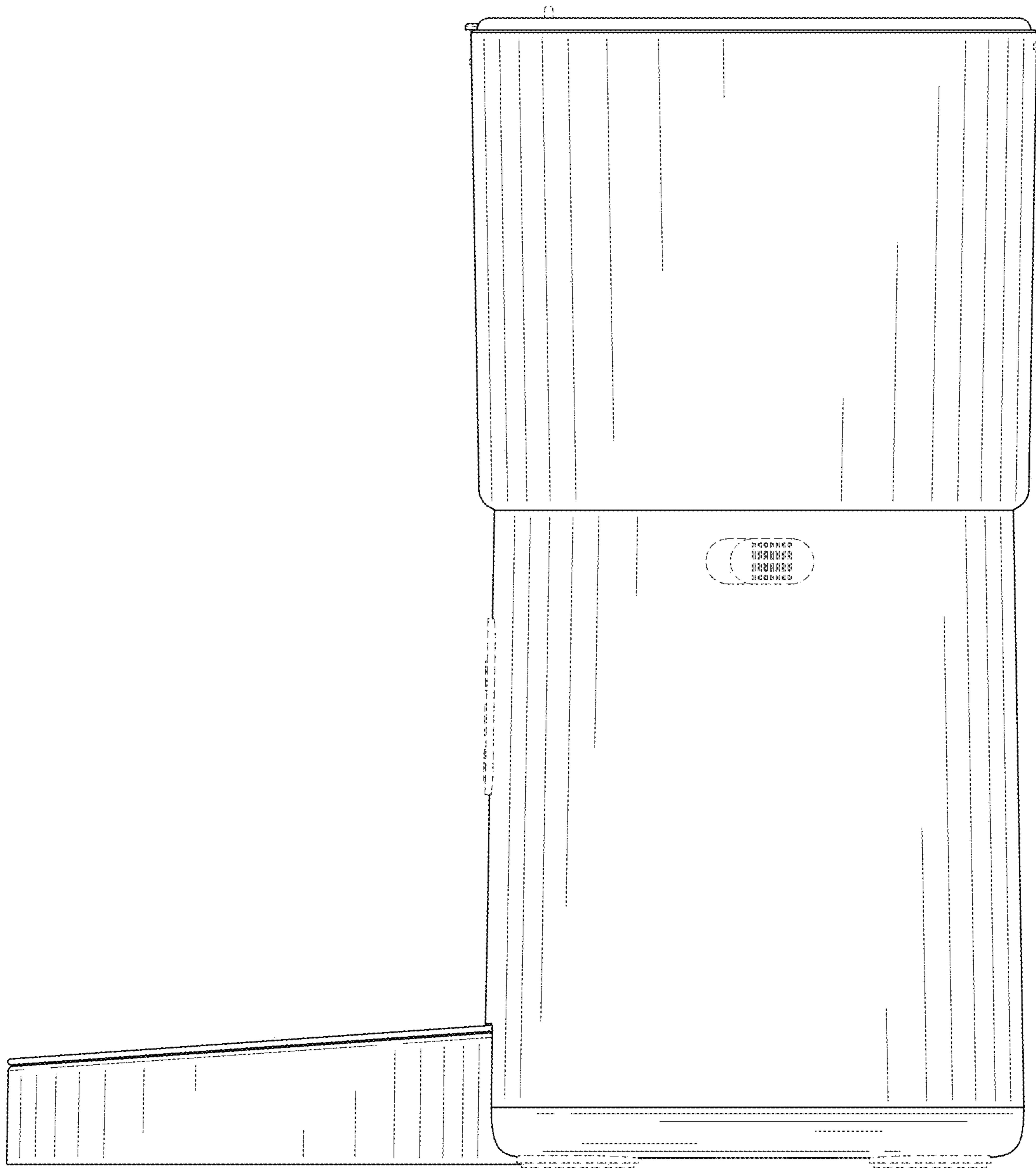


FIG. 6



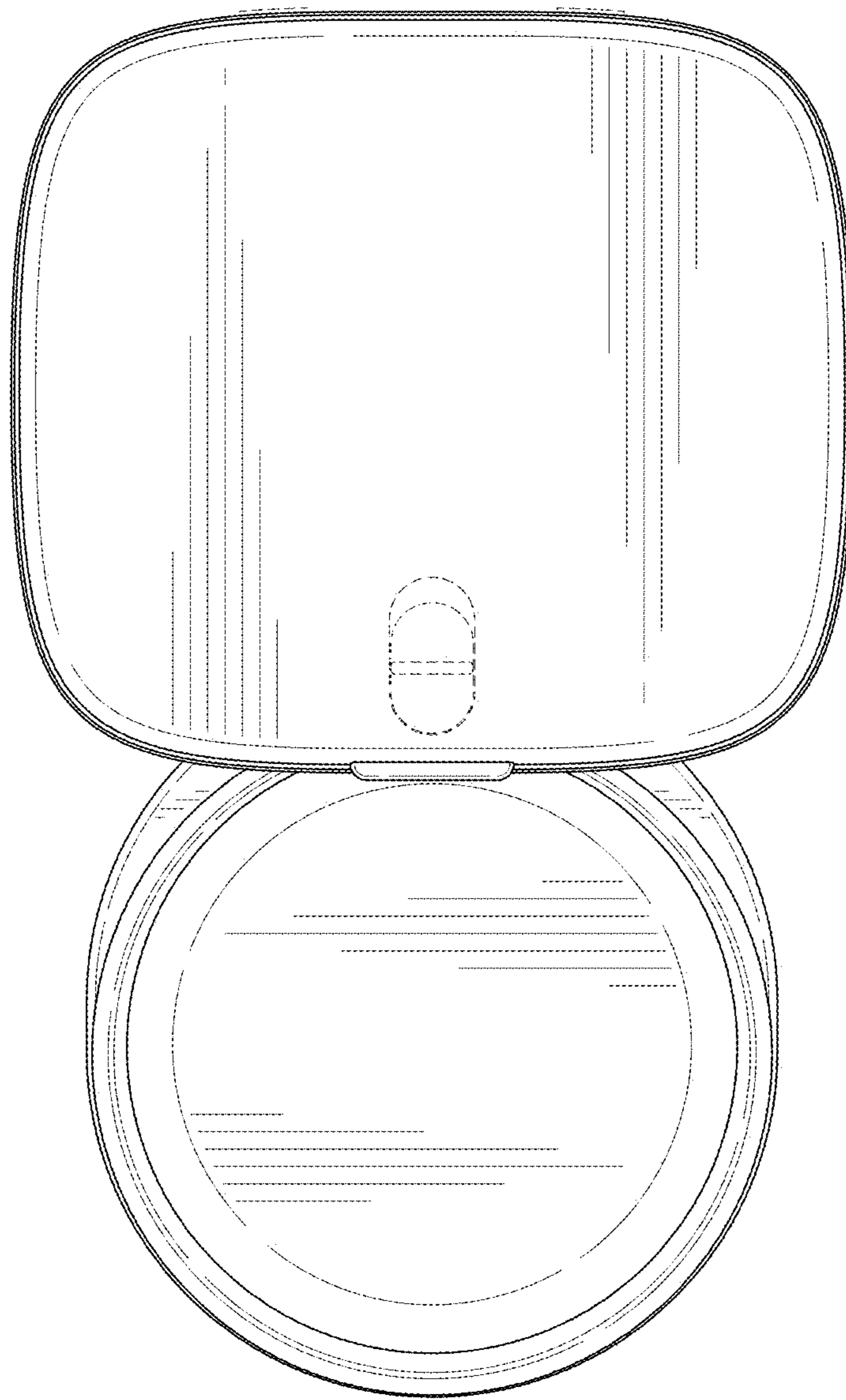


FIG. 7

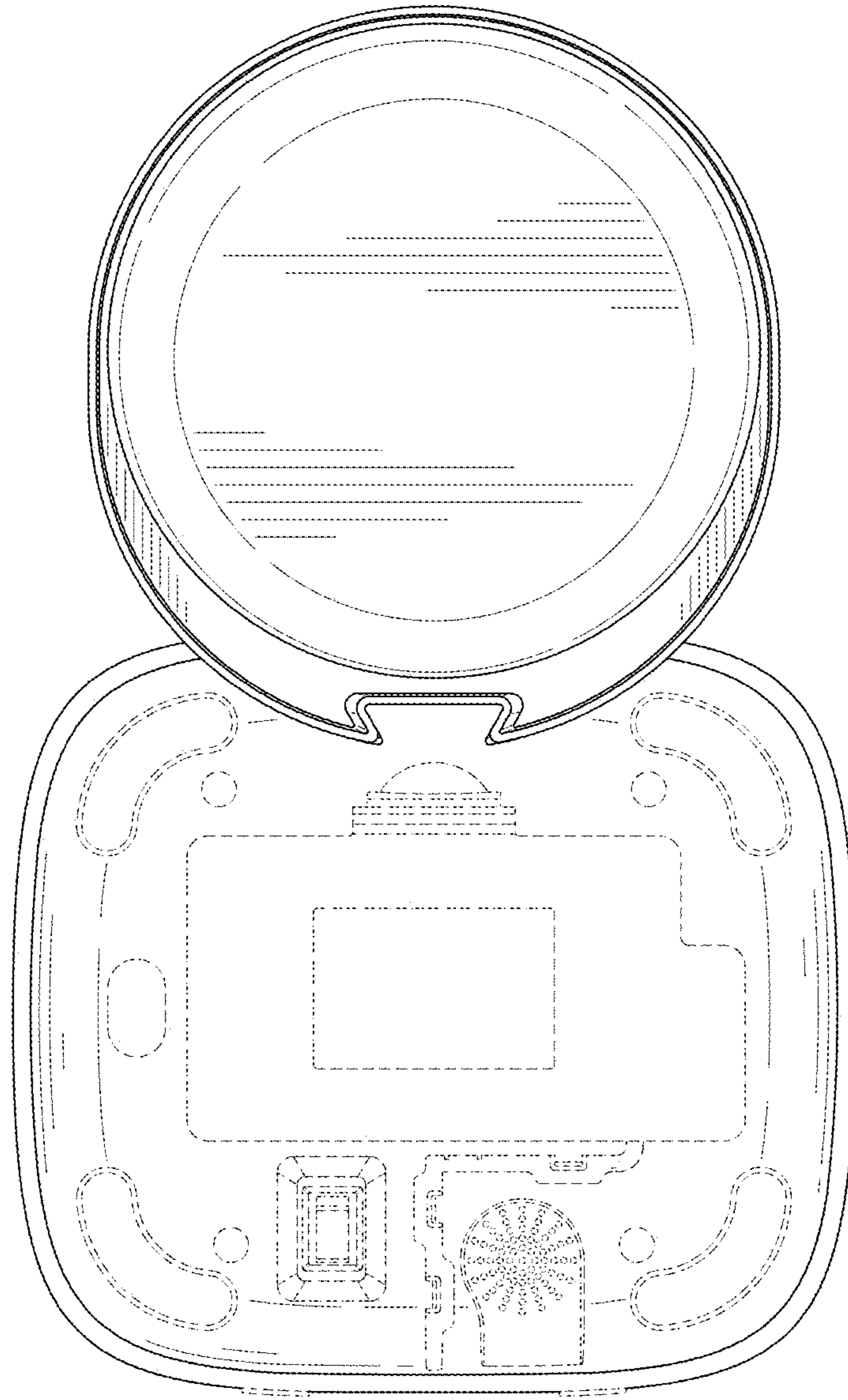


FIG. 8