



US00D987202S

(12) **United States Design Patent** (10) **Patent No.:** **US D987,202 S**
Ahrenholtz et al. (45) **Date of Patent:** **** May 23, 2023**

(54) **PET LICK APPARATUS FOR LIQUID CONSUMABLES**

(71) Applicant: **Silver Fox L.L.C.**, Hopkins, MN (US)

(72) Inventors: **Ted E. Ahrenholtz**, Minnetonka, MN (US); **Michele L. Pennington**, Eden Prairie, MN (US); **Stephanie M. Beetsch**, Minneapolis, MN (US)

(73) Assignee: **Silver Fox L.L.C.**, Hopkins, MN (US)

(**) Term: **15 Years**

(21) Appl. No.: **29/766,056**

(22) Filed: **Jan. 13, 2021**

(51) **LOC (14) Cl.** **30-03**

(52) **U.S. Cl.**
 USPC **D30/122**; D30/121; D30/132

(58) **Field of Classification Search**
 USPC D30/122, 133, 121, 128, 130, 132, 129;
 119/52.1, 55, 61.5–61.56, 51.01, 51.03,
 119/59, 62, 63, 51.5, 57.8, 53, 53.5, 75,
 119/56.2, 51.02, 51.11, 51.12, 57.1, 74,
 119/515; D6/480–485; 248/188, 151;
 312/204; 108/153.1–157; 220/23.87,
 220/630, 737, 743, 9.4, 495.01, 574, 212,
 220/255, 23.83; 206/515; D7/586, 543,
 D7/550.1, 587, 505, 584, 545, 500,
 D7/553.1–553.8, 546, 555, 556, 504, 565,
 D7/562, 602, 605, 312, 313, 320, 307,
 D7/306, 309, 354, 311, 399, 397, 323,
 D7/332, 331, 347, 346, 322, 318, 317,
 D7/316, 619.1; D9/429; 43/109;
 D22/122; 99/430, DIG. 15, 280, 285,
 99/312; 222/209, 131, 363, 349, 517,
 222/153.13, 401, 1, 146.5, 23, 54, 64, 51,
 222/156, 399, 400.8; 219/438, 439, 441,
 (Continued)

(56) **References Cited**

U.S. PATENT DOCUMENTS

1,814,776 A * 7/1931 Waugh B43M 11/02
 222/403

2,158,094 A 5/1939 Teske
 (Continued)

FOREIGN PATENT DOCUMENTS

DE	208946	4/1909
GB	2215673	3/1988

Primary Examiner — Susan Moon Lee
 (74) *Attorney, Agent, or Firm* — Schroeder & Siegfried, P.A.

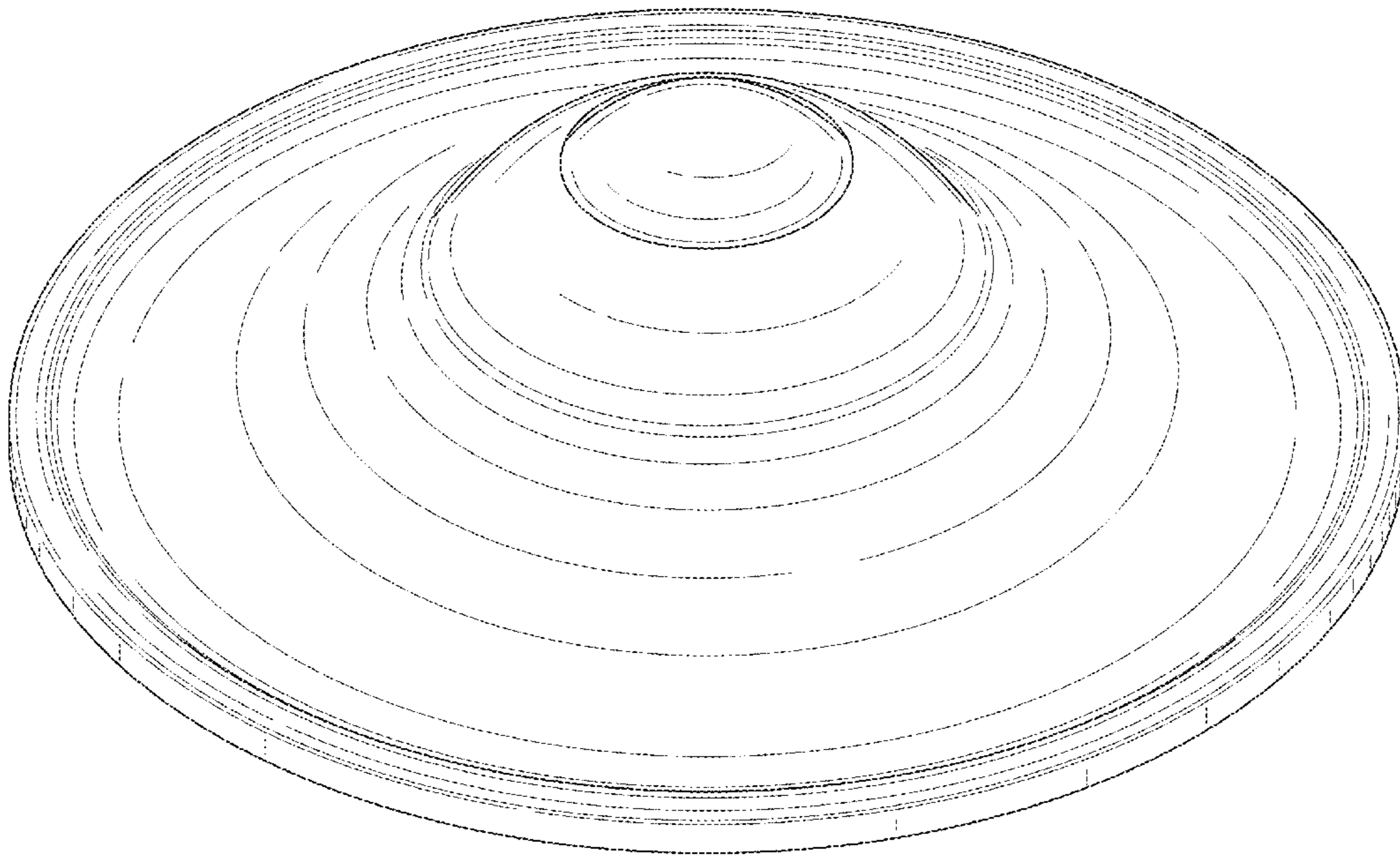
(57) **CLAIM**

The ornamental design for a pet lick apparatus for liquid consumables, as shown and described.

DESCRIPTION

FIG. 1 is an overhead perspective view of a pet lick apparatus for liquid consumables showing our new design; FIG. 2 is an underside perspective view thereof; FIG. 3 is a top plan view thereof; FIG. 4 is a bottom plan view thereof; FIG. 5 is a front elevation view of the pet lick apparatus for liquid consumables, the rear view being a mirror image thereof; FIG. 6 is a right side elevation view of the pet lick apparatus for liquid consumables, the left side view being a mirror image thereof; FIG. 7 is an underside perspective view of a second embodiment of the pet lick apparatus for liquid consumables; and, FIG. 8 is a bottom plan view thereof. The broken lines in the drawings represent portions of the pet lick apparatus for liquid consumables which form no part of the claimed design.

1 Claim, 7 Drawing Sheets



US D987,202 S

(58) **Field of Classification Search**

USPC 219/385, 386, 402, 407; 210/94, 184,
210/474, 477

CPC A01K 5/02; A01K 5/0225; A01K 5/0266;
A01K 5/0275; A01K 5/0283; A01K
5/0291; A01K 5/0258; A01K 5/0114;
A01K 5/01; A01K 5/0135; A01K 7/005;
A01K 7/00; A01K 7/02; A01K 5/0142;
A01K 5/0121; A01K 5/0128; A01K
27/004; A01K 39/014; A01K 39/00;
A01K 39/02; A01K 39/0113; A47J
43/0727; A47J 41/0033; A47J 41/005;
A47J 41/0088; A47J 41/0094; A47J
31/04; A47J 31/053; A01M 29/34; B29C
65/48; B65D 81/36; G01F 11/24; G01F
23/02; B67D 1/0425; B67D 1/04; B67D
1/00; B67D 1/02; B67D 1/0871; B67D
1/0802; B05B 11/00; B05B 11/0002;
B05B 11/0005; B05B 11/001; C02F
1/003; C02F 1/283; C02F 2307/02

See application file for complete search history.

(56) **References Cited**

U.S. PATENT DOCUMENTS

D180,346 S * 5/1957 Weil D30/122
D183,626 S * 9/1958 Morrison 473/588
3,111,703 A 11/1963 Kaufman
3,336,065 A * 8/1967 Roberson B65F 1/1615
292/30
3,359,678 A * 12/1967 Headrick A63H 33/18
473/589
D209,763 S * 1/1968 Mueller 473/589
3,459,159 A 8/1969 Reed
3,508,360 A * 4/1970 Williams A63H 27/12
446/56
D225,250 S * 11/1972 Sun D21/444
3,724,122 A * 4/1973 Gillespie, Sr. A63H 33/18
473/588
3,734,060 A 5/1973 Collison
3,771,496 A 11/1973 Atchley
D230,139 S * 1/1974 Bart D9/452
3,946,703 A 3/1976 Wheat
D241,917 S * 10/1976 Borum D9/452
4,096,659 A * 6/1978 Keane A63B 67/086
446/240
4,117,626 A * 10/1978 Kifferstein A63H 33/18
446/47
4,132,029 A * 1/1979 Thompson A63H 33/18
473/588
4,212,131 A * 7/1980 Ross, Jr. A63H 33/18
473/588
D260,786 S * 9/1981 Chaklos D21/443

D266,486 S * 10/1982 Lutz D9/503
4,386,582 A 6/1983 Adsit
4,516,947 A * 5/1985 Pircher A63H 33/18
446/46
4,723,860 A 2/1988 Giblin et al.
D312,103 S * 11/1990 Lenox D21/443
5,109,798 A 5/1992 Impastato et al.
D333,025 S * 2/1993 Doherty D34/1
5,201,279 A 4/1993 Impastato et al.
D336,119 S * 6/1993 Bridge, Jr. D21/443
D346,626 S * 5/1994 St. Lawrence D21/443
D350,783 S * 9/1994 Bacon D21/443
D351,692 S * 10/1994 Cossey D30/154
5,437,244 A 8/1995 Van Gilst
5,636,592 A 6/1997 Wechsler
D403,584 S * 1/1999 Bakic D9/454
D436,866 S * 1/2001 Freeman D9/454
6,578,517 B2 6/2003 Borries
6,718,912 B2 4/2004 Pappas
6,758,165 B2 7/2004 Pappas et al.
7,089,881 B2 * 8/2006 Plante A01K 5/0114
119/74
7,117,818 B2 10/2006 Pappas et al.
7,153,053 B1 12/2006 Wiley
7,682,214 B2 * 3/2010 Barniak, Jr. A63H 33/18
446/46
7,832,362 B2 11/2010 DeGhionno
7,976,355 B2 * 7/2011 McAnulty A01K 15/025
D21/443
D665,036 S * 8/2012 Wechsler D21/444
8,371,244 B2 2/2013 Krasner
8,448,604 B2 5/2013 Pappas
8,464,660 B2 6/2013 Valeriano
D693,004 S * 11/2013 Larsen D24/164
8,591,134 B2 11/2013 Cahill
8,596,220 B2 12/2013 Mainini
D704,386 S * 5/2014 Woller D30/121
D735,421 S * 7/2015 Plant D30/131
9,226,482 B2 1/2016 Cardaropoli
D755,449 S * 5/2016 Cornwell, Jr. D30/132
10,464,719 B2 11/2019 May
D901,094 S * 11/2020 White D30/129
D953,655 S * 5/2022 Tu D30/132
D953,656 S * 5/2022 Wang D30/132
D963,254 S * 9/2022 Jin D30/122
2004/0089245 A1 * 5/2004 Markham A01K 15/025
119/709
2005/0061258 A1 * 3/2005 Block A01K 15/025
119/707
2005/0092258 A1 * 5/2005 Markham A01K 15/025
119/707
2007/0289539 A1 12/2007 Berry et al.
2009/0031962 A1 * 2/2009 Webber A01K 39/0206
119/51.01
2011/0088628 A1 4/2011 Valeriano
2014/0048017 A1 2/2014 Mainini et al.

* cited by examiner

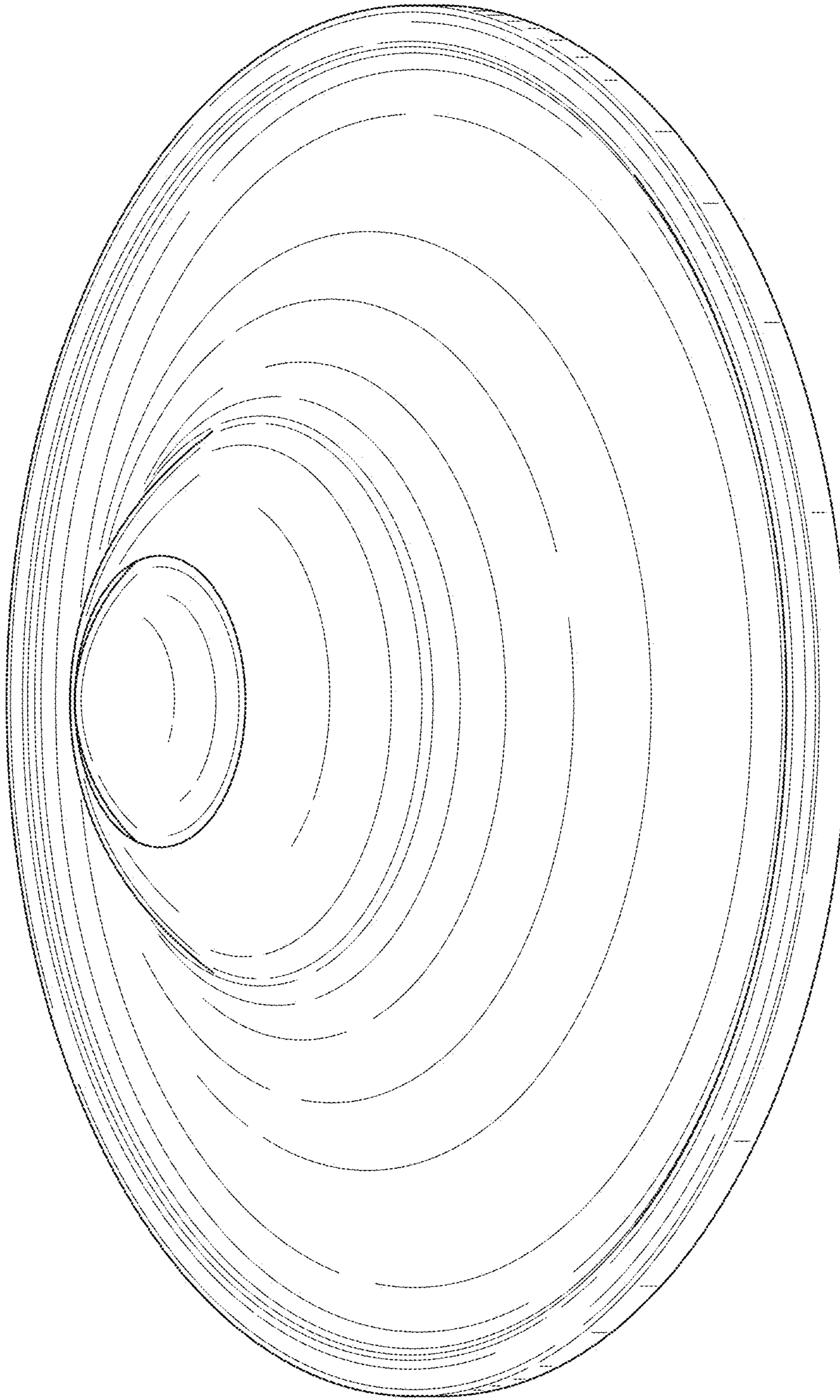


FIG. 1

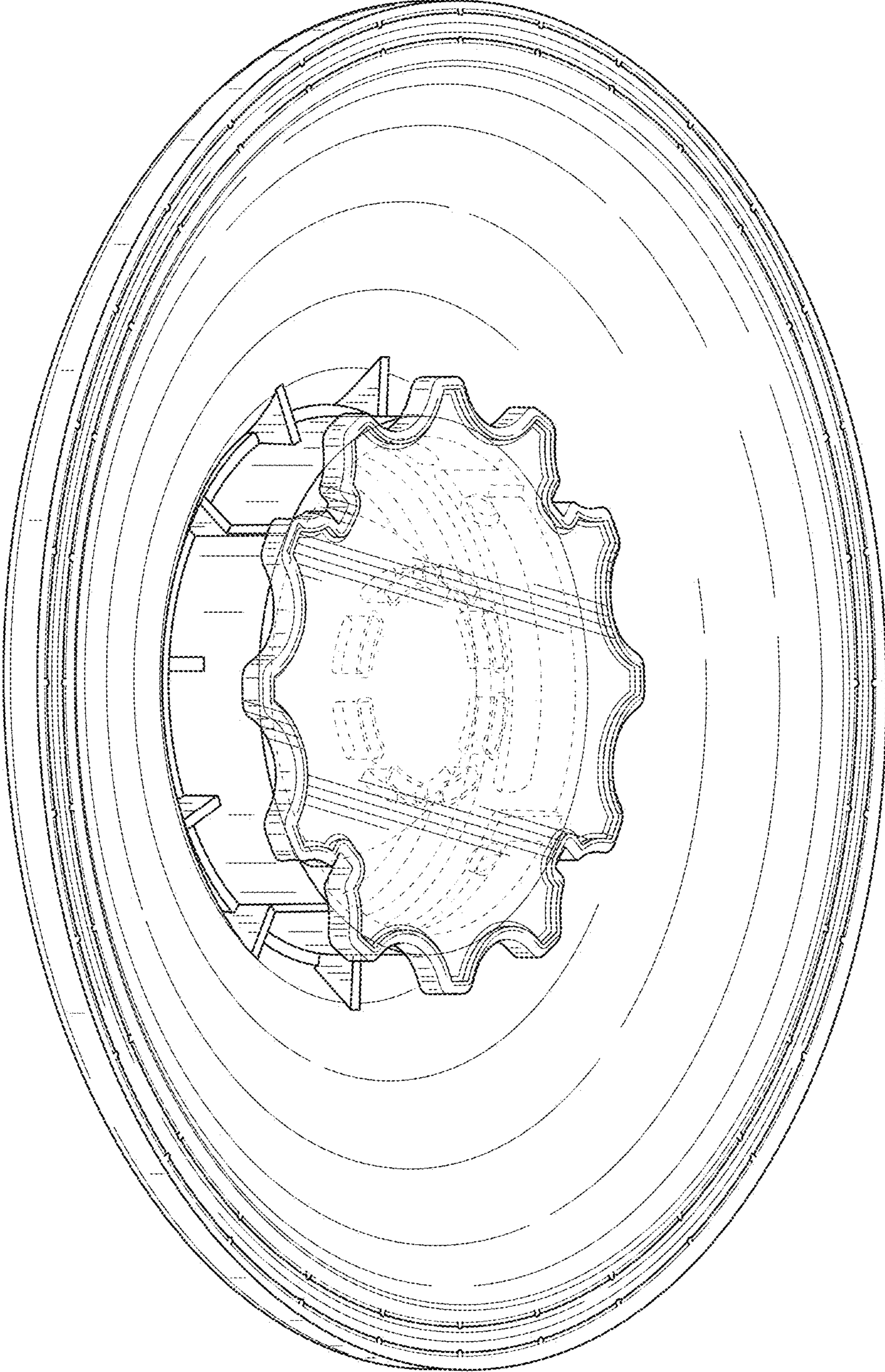


FIG. 2

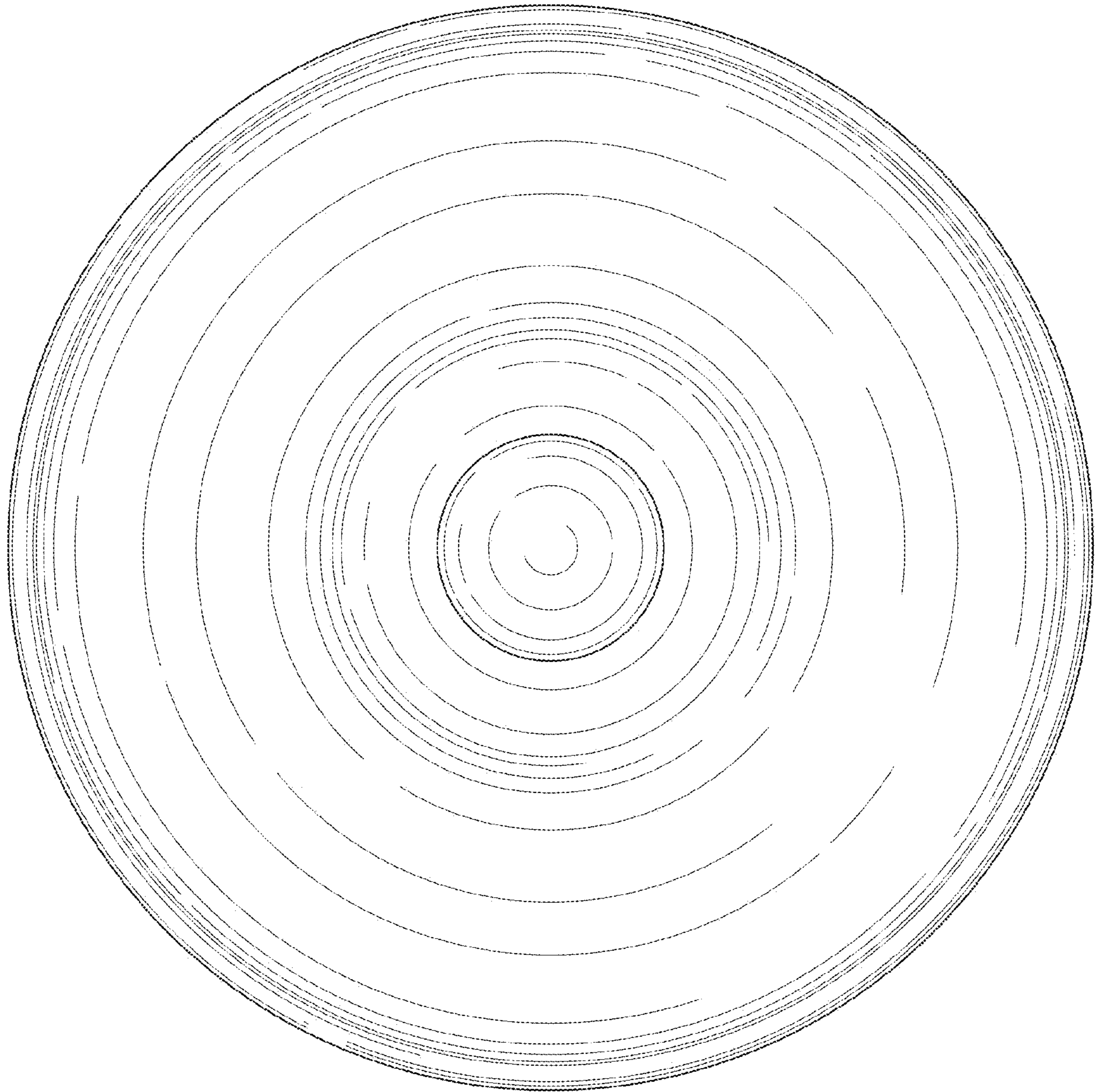


FIG. 3

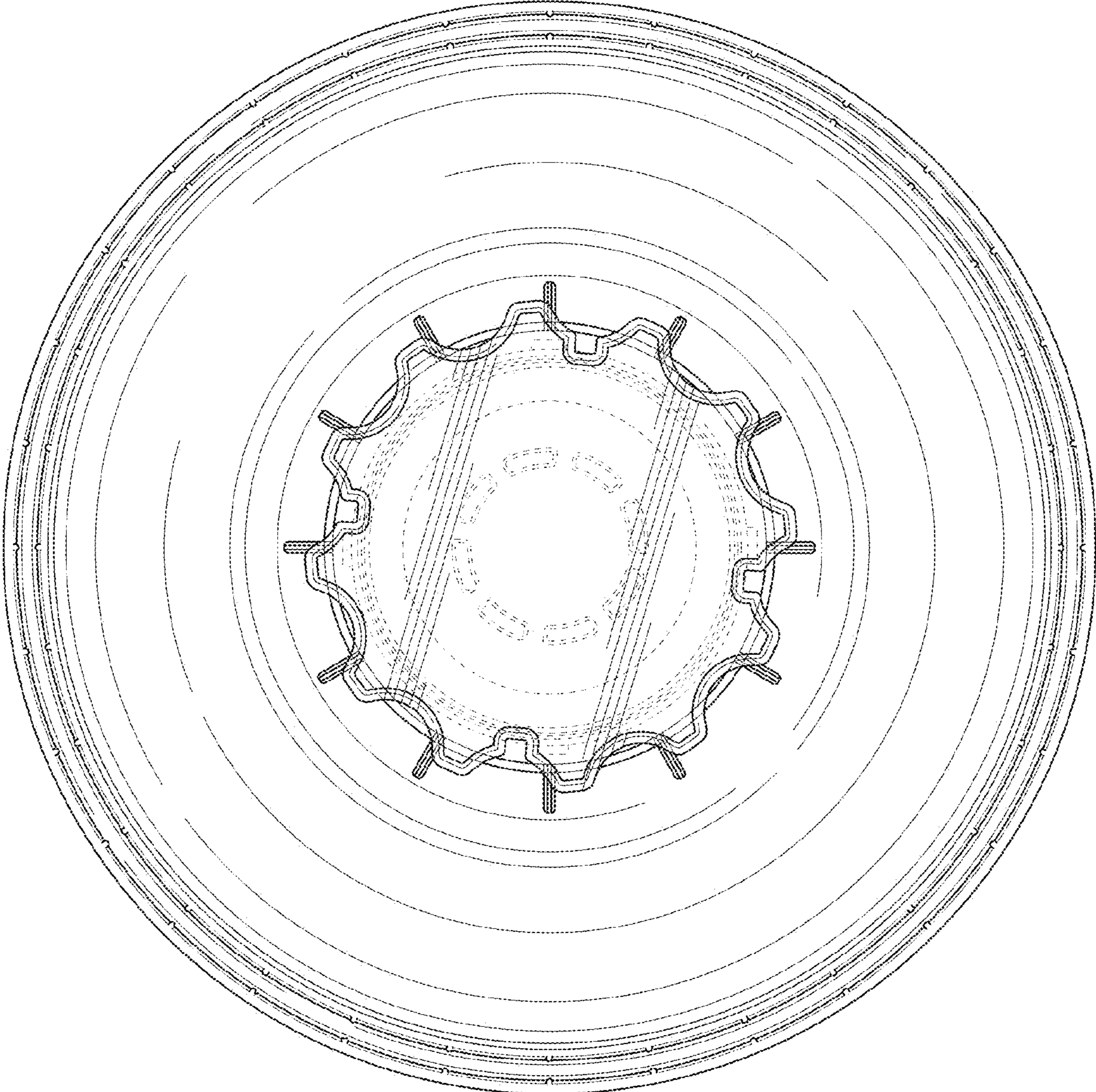


FIG. 4

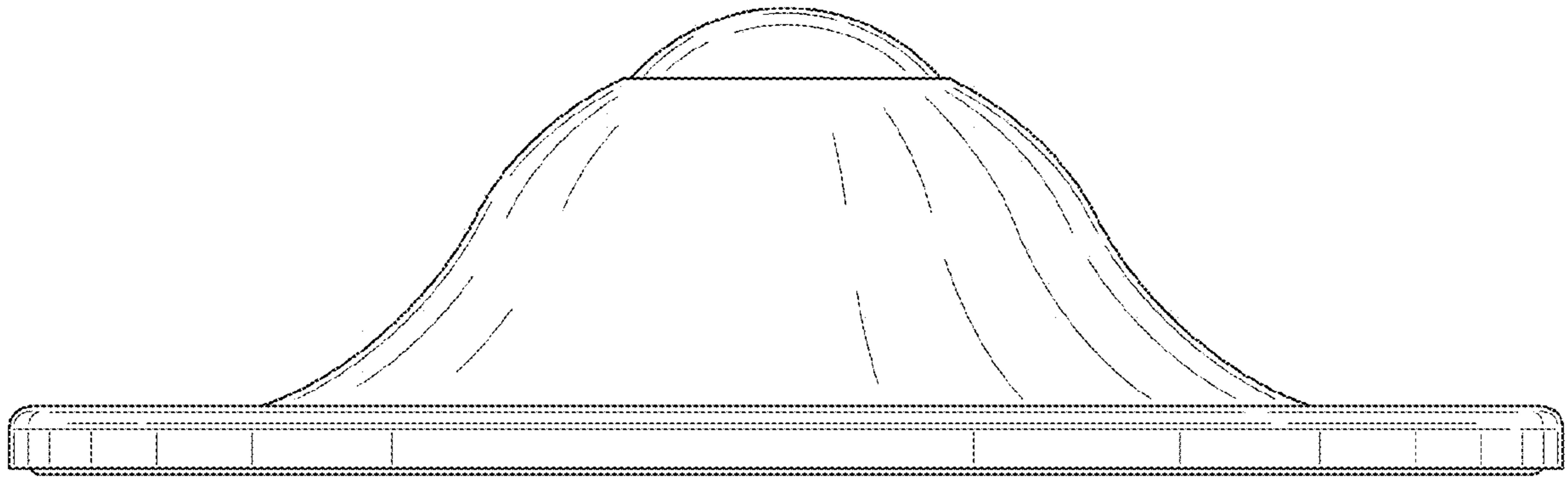


FIG. 5

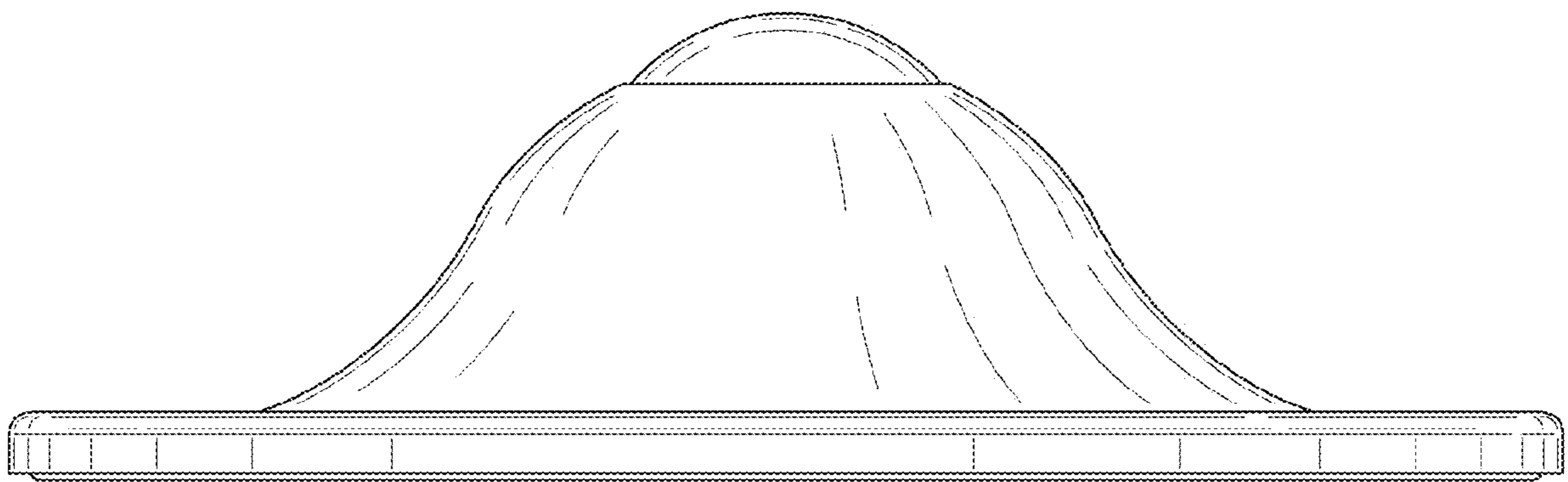


FIG. 6

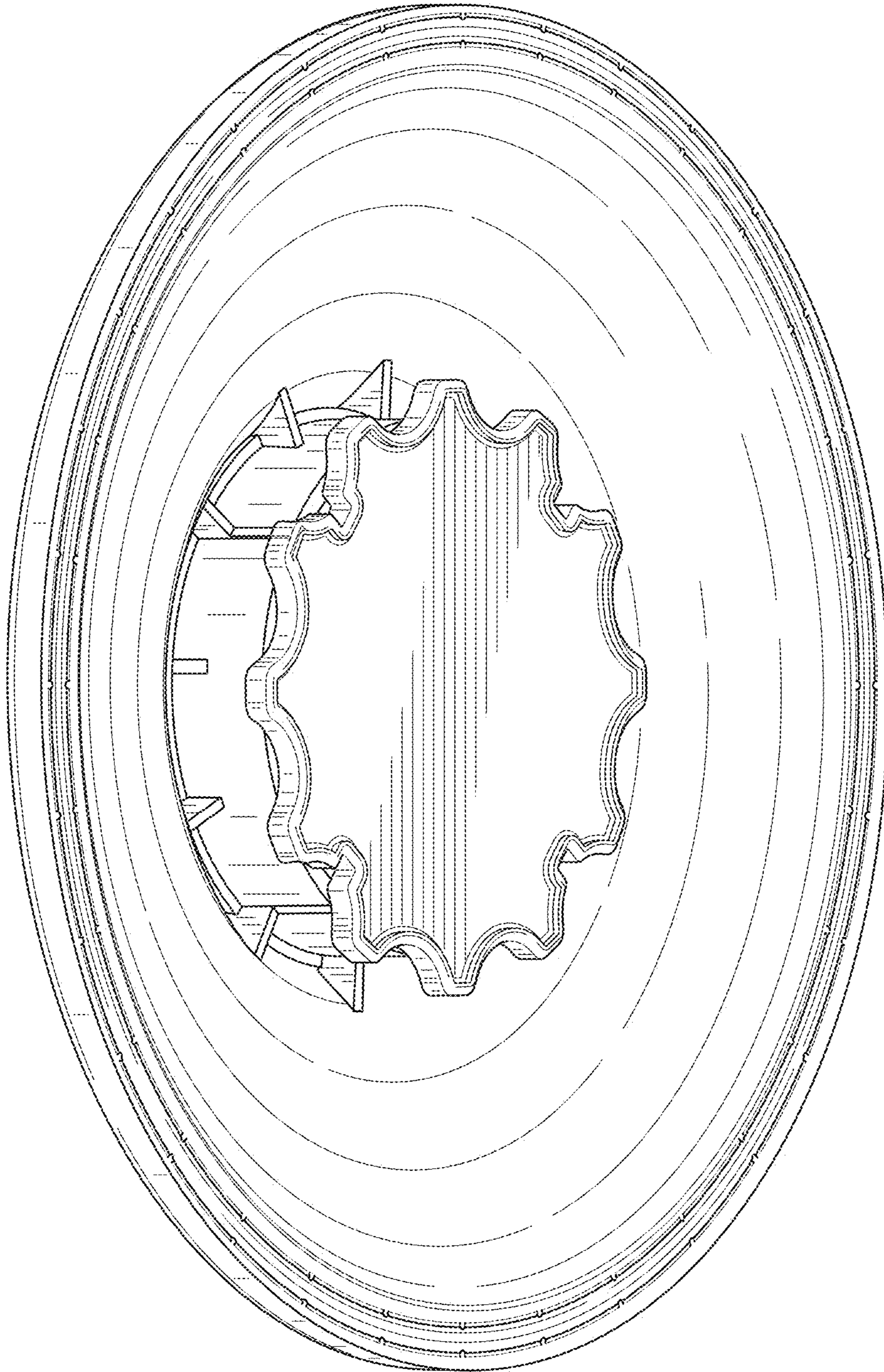


FIG. 7

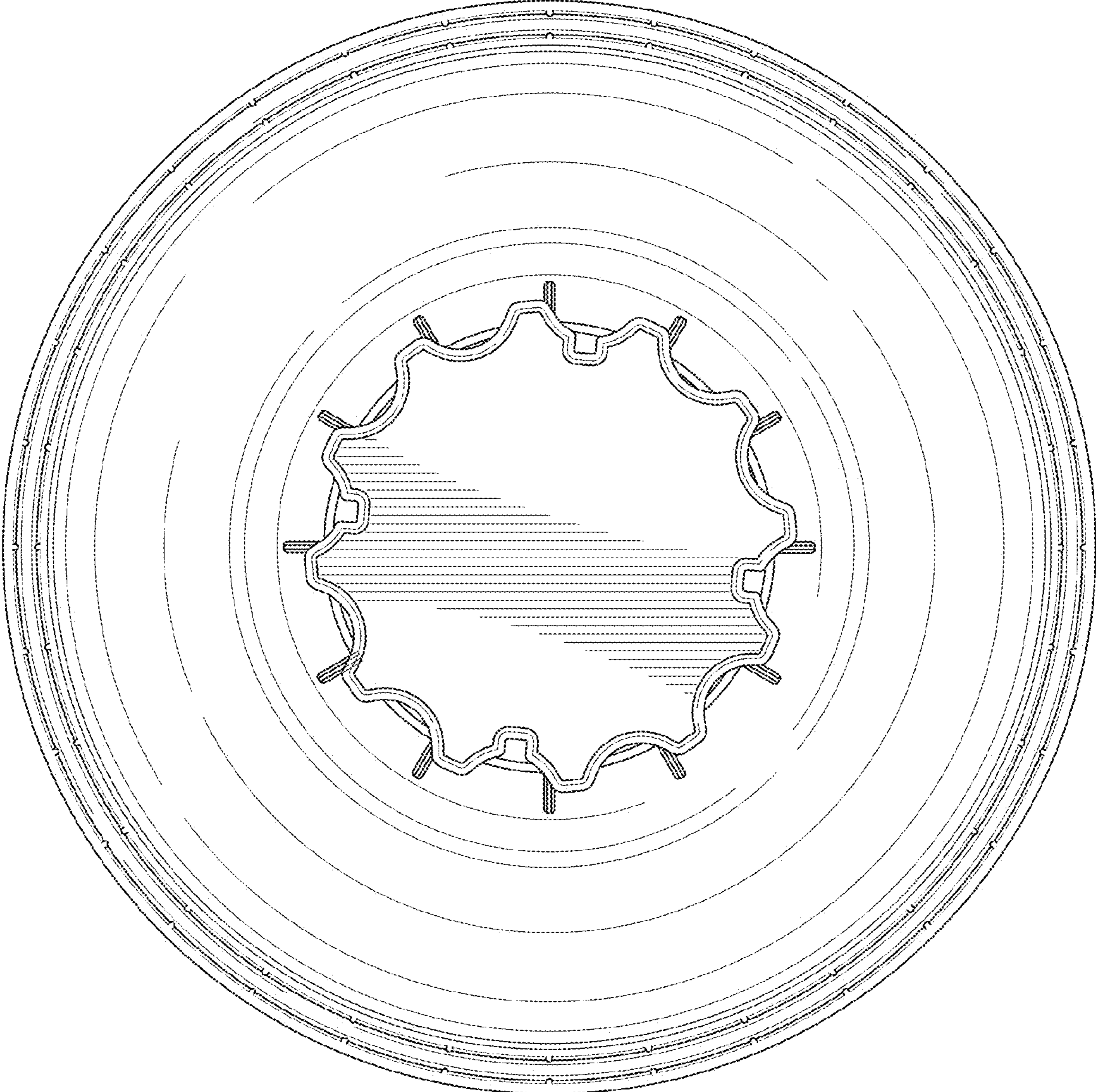


FIG. 8