



US00D987201S

(12) **United States Design Patent** (10) **Patent No.:** **US D987,201 S**
Dai (45) **Date of Patent:** **** May 23, 2023**

(54) **FEEDING BUCKET**

(71) Applicant: **Liangqi Dai**, Fuzhou (CN)

(72) Inventor: **Liangqi Dai**, Fuzhou (CN)

(**) Term: **15 Years**

(21) Appl. No.: **29/857,980**

(22) Filed: **Oct. 27, 2022**

(51) **LOC (14) Cl.** **30-07**

(52) **U.S. Cl.**
USPC **D30/121**; D30/131; D9/425; D9/432;
D32/53

(58) **Field of Classification Search**

USPC D30/119, 121-133, 199; D3/273, 276,
D3/281, 282; D9/420, 424, 425, 430,
D9/431, 432; D32/53

CPC A01K 5/0135; A01K 5/01; A01K 5/0225;
A01K 39/012; A01K 39/014

See application file for complete search history.

(56) **References Cited**

U.S. PATENT DOCUMENTS

| | | | |
|---------------|---------|---------------------|-------------|
| D220,972 S * | 6/1971 | Yates, Jr. | D32/53 |
| D220,973 S * | 6/1971 | Yates, Jr. | D32/53 |
| D222,981 S * | 2/1972 | Yates, Jr. | D32/53 |
| 3,822,671 A * | 7/1974 | Rosenberg | A01K 1/0107 |
| | | | D30/128 |
| D232,565 S * | 8/1974 | Rosenberg | 119/165 |
| D233,218 S * | 10/1974 | Lynn | D32/53 |
| D289,455 S * | 4/1987 | Freiler | D32/53 |
| D295,093 S * | 4/1988 | Tapdrup | D32/53 |
| D308,942 S * | 7/1990 | Thundercliffe | D9/425 |
| D327,555 S * | 6/1992 | Juergens | D34/1 |
| D336,018 S * | 6/1993 | Smith | D9/425 |
| D337,181 S * | 7/1993 | Warman | |
| D339,436 S * | 9/1993 | Craft, Jr. | D34/1 |
| D351,791 S * | 10/1994 | Morris, Sr. | D9/425 |
| D351,792 S * | 10/1994 | Morris, Sr. | D9/425 |

(Continued)

FOREIGN PATENT DOCUMENTS

EM 006006003-0001 * 1/2019
EM 006006003-0002 * 1/2019

(Continued)

OTHER PUBLICATIONS

Rain Proof Chicken Feeder No Waste 4PCS, dated Jun. 15, 2022, amazon.com [online]. Retrieved Dec. 17, 2022 from internet <URL: https://www.amazon.com/Chicken-Poultry-Automatic-Stopper-Reusable/dp/B0B45FLDFJ/?th=1> (Year: 2022).*

(Continued)

Primary Examiner — Andrew T Nemeth

(74) *Attorney, Agent, or Firm* — ScienBiziP, P.C.

(57) **CLAIM**

The ornamental design for a feeding bucket, as shown and described.

DESCRIPTION

FIG. 1 is a front, right and top perspective view of a feeding bucket, showing my design.

FIG. 2 is a rear, left and bottom perspective view thereof.

FIG. 3 is a front elevation view thereof.

FIG. 4 is a rear elevation view thereof.

FIG. 5 is a left side elevation view thereof.

FIG. 6 is a right side elevation view thereof.

FIG. 7 is a top plan view thereof.

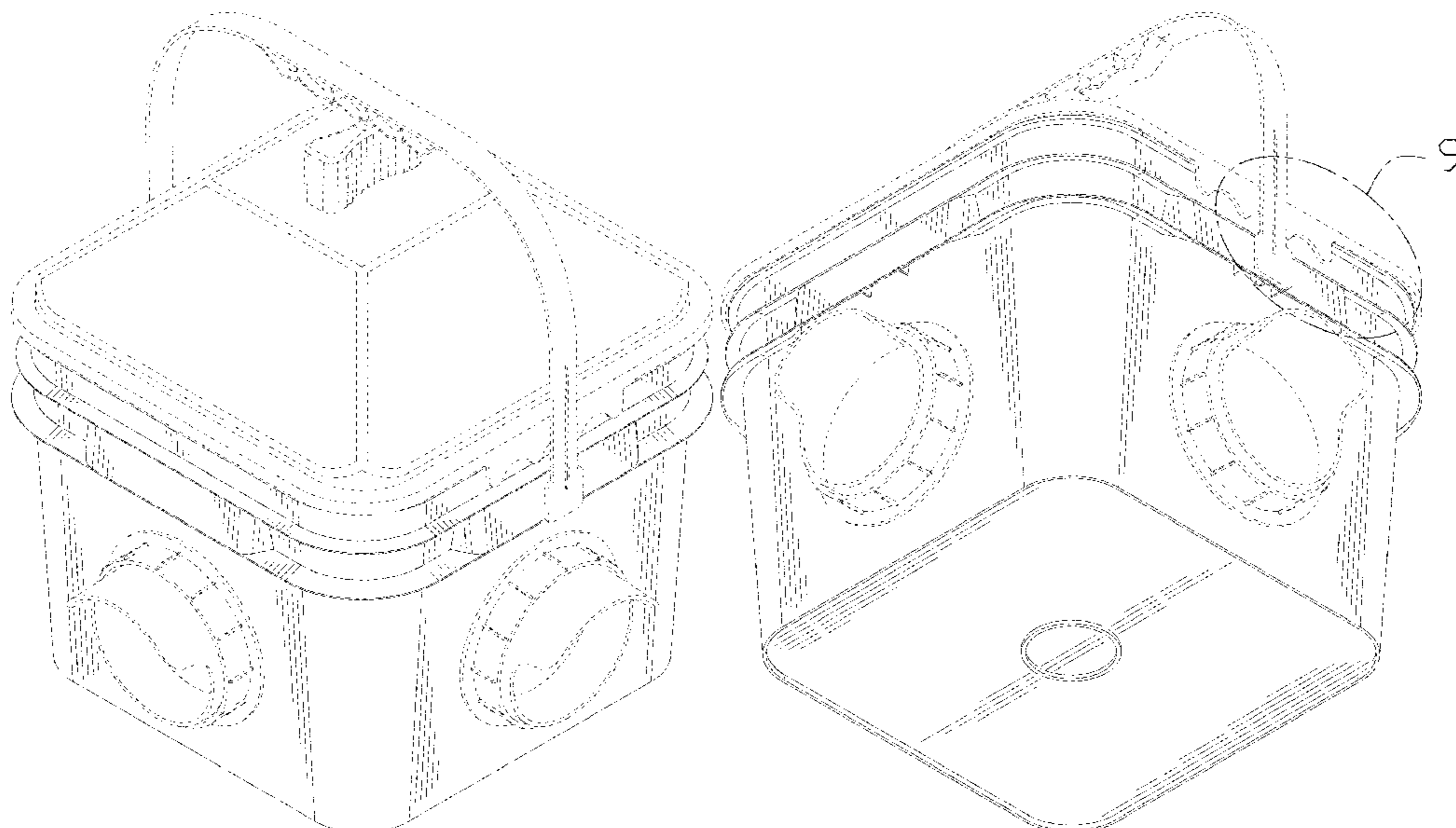
FIG. 8 is a bottom plan view thereof.

FIG. 9 is an enlarged view of detail 9 in FIG. 2; and,

FIG. 10 is another front, right and top perspective view of the feeding bucket in another state.

The broken lines depict portions of the feeding bucket that form no part of the claimed design. In addition, the dot-dash broken lines in FIGS. 2 and 9 depict the boundaries of the enlargements that form no part of the claimed design.

1 Claim, 10 Drawing Sheets



(56)

References Cited

U.S. PATENT DOCUMENTS

D352,143 S * 11/1994 Arshinoff D32/53
 D430,459 S * 9/2000 Conti D7/615
 D435,654 S * 12/2000 Gaba D24/131
 D493,929 S * 8/2004 Schwarz D32/53
 D503,534 S * 4/2005 Dong D3/276
 D506,608 S * 6/2005 Dong B65D 47/08
 D526,481 S * 8/2006 Dong D3/276
 D593,269 S * 5/2009 Weiler D32/53
 D608,066 S * 1/2010 Pearl D32/53
 D649,726 S * 11/2011 Manuel D32/53
 D665,662 S * 8/2012 Schick D9/425
 D688,018 S * 8/2013 Duquenoy D32/53
 D698,500 S * 1/2014 Banks D30/121
 D704,384 S * 5/2014 Worsley D30/121
 D716,002 S * 10/2014 Greenan D7/629
 D716,011 S * 10/2014 Jackson D32/53
 D717,010 S * 11/2014 Jackson D32/53
 D729,004 S * 5/2015 Deuber D7/400
 D729,480 S * 5/2015 Silkaitis D32/53
 D729,481 S * 5/2015 Silkaitis D32/53
 D743,137 S * 11/2015 Vasilakes D32/53
 D767,227 S * 9/2016 Del Rosario Roy D32/53
 D767,228 S * 9/2016 Del Rosario Roy D32/53
 D792,033 S * 7/2017 Hill et al.
 D814,920 S * 4/2018 Georgiadis D9/420
 D815,779 S * 4/2018 Song D30/127
 D829,440 S * 10/2018 Chen D3/276
 D848,147 S * 5/2019 Chen D3/276
 D854,825 S * 7/2019 Chen D3/276
 D878,695 S * 3/2020 Reinhart D32/53
 D883,601 S * 5/2020 Luburic D32/53
 D894,510 S * 8/2020 Luburic D32/53
 D901,293 S * 11/2020 Plattner D9/425
 D903,482 S * 12/2020 Drolet D9/424
 D920,612 S * 5/2021 Luburic D32/53
 D920,613 S * 5/2021 Luburic D32/53

D921,314 S * 6/2021 Luburic D32/53
 D946,890 S * 3/2022 Eskridge D3/276
 D973,973 S * 12/2022 Zhong D30/131
 D975,929 S * 1/2023 Mahle D30/122
 D979,153 S * 2/2023 Dai D30/131

FOREIGN PATENT DOCUMENTS

GB 90060060030001 * 1/2019
 GB 90060060030002 * 1/2019

OTHER PUBLICATIONS

RentACoop Chi2Chicken 10lb Feeder and 2 Gal Waterer Set, dated Aug. 16, 2022, amazon.com [online]. Retrieved Dec. 17, 2022 from internet <URL:https://www.amazon.com/dp/B0B4PJ7BMG/> (Year: 2022).*

RentACoop Chick2Chicken 10lb 4-Port Feeder, dated Sep. 10, 2022, amazon.com [online]. Retrieved Dec. 17, 2022 from internet <URL: https://www.amazon.com/RentACoop-Chick2Chicken-4-Port-Feeder-Chickens/dp/B0B6WJNMNB> (Year: 2022).*

18Pcs DIY Chicken Feeder and Waterer Set, dated Oct. 17, 2022, amazon.com [online]. Retrieved Dec. 17, 2022 from internet <URL: https://www.amazon.com/dp/B0BJTPTF9V/> (Year: 2022).*

ZenxyHoC DIY Chicken Feeders No Waste, dated Oct. 21, 2022, amazon.com [online]. Retrieved Dec. 17, 2022 from internet <URL: https://www.amazon.com/dp/B09ZY9D5M6/> (Year: 2022).*

QinFlyer Chicken Feeder and Waterer Set, by Dai Liangqi, dated to May 16, 2022, mofive.com [online]. Retrieved Apr. 8, 2023 from internet <URL:https://mofive.com/products/qinflyer-chicken-feeder-and-waterer-set,-hanging-automatic-8l-chicken-feeder-mit-4-ports-and-8l-chicken-waterer-mit-4-cups> (Year: 2022).*

Inventor's, Liangqi Dai, publication on mofive.com dated May 16, 2022. Please refer to https://mofive.com/products/qinflyer-chicken-feeder-and-waterer-set,-hanging-automatic-8l-chicken-feeder-mit-4-ports-and-8l-chicken-waterer-mit-4-cups.

* cited by examiner

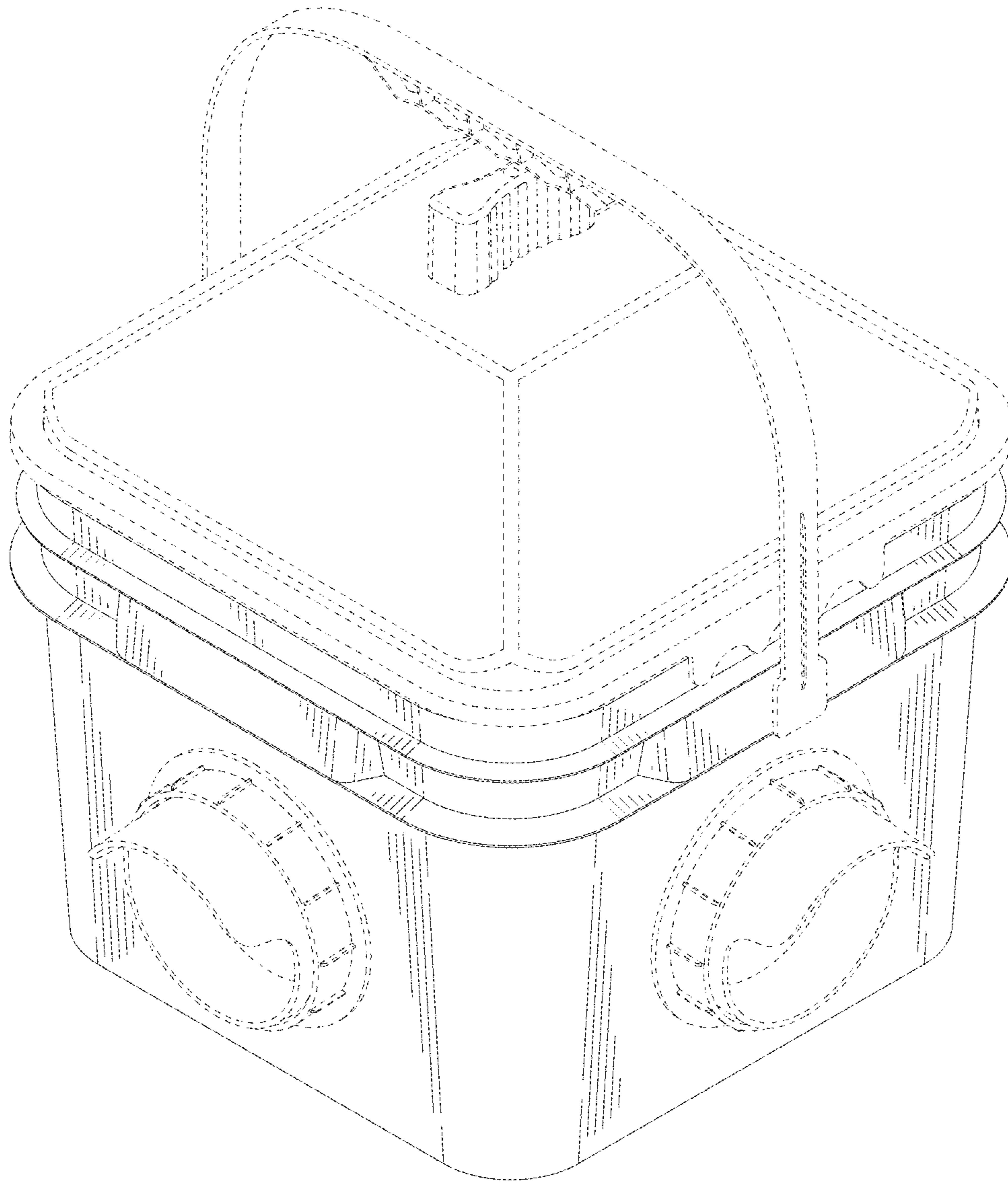


FIG. 1

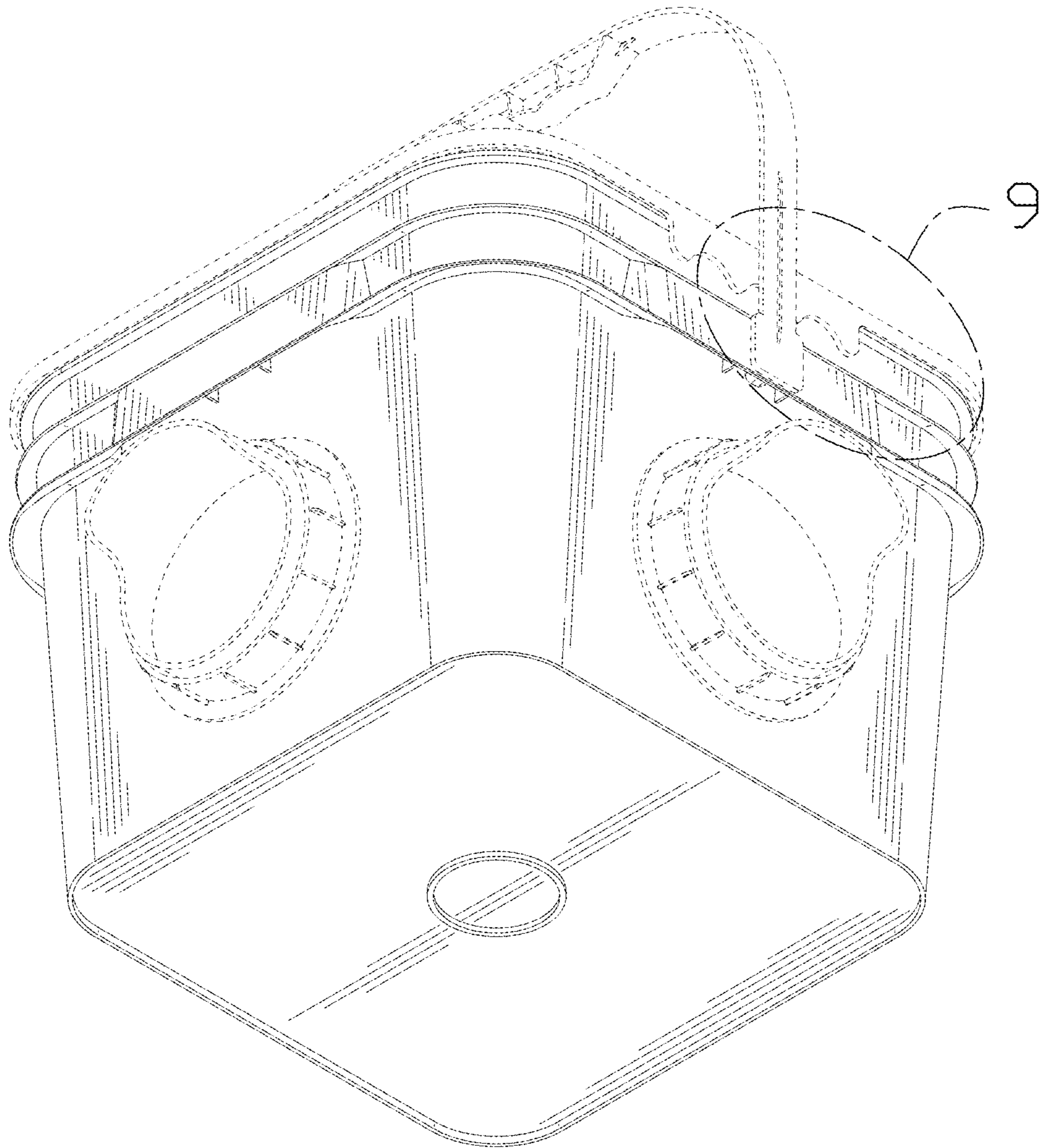


FIG. 2

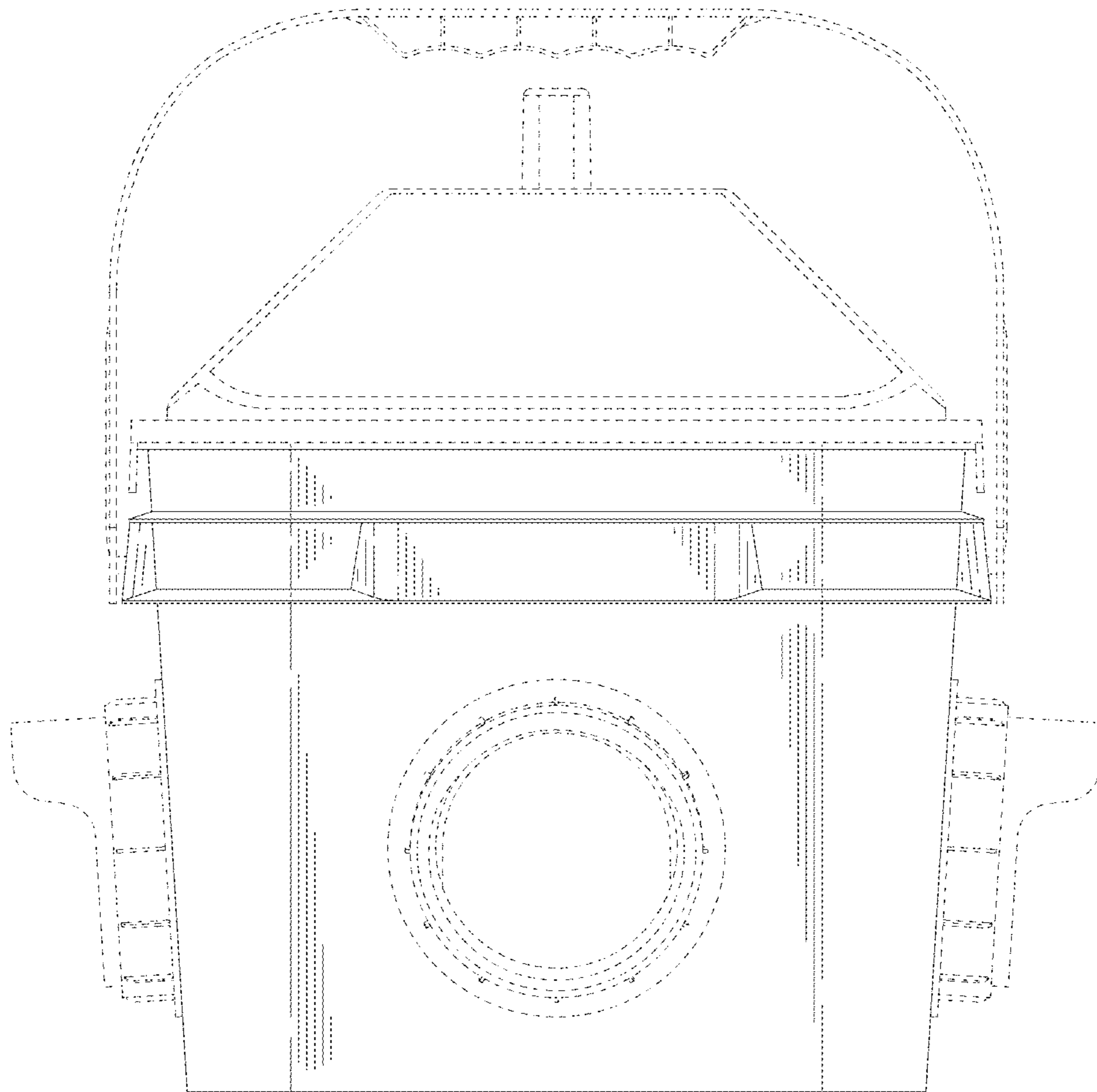


FIG. 3

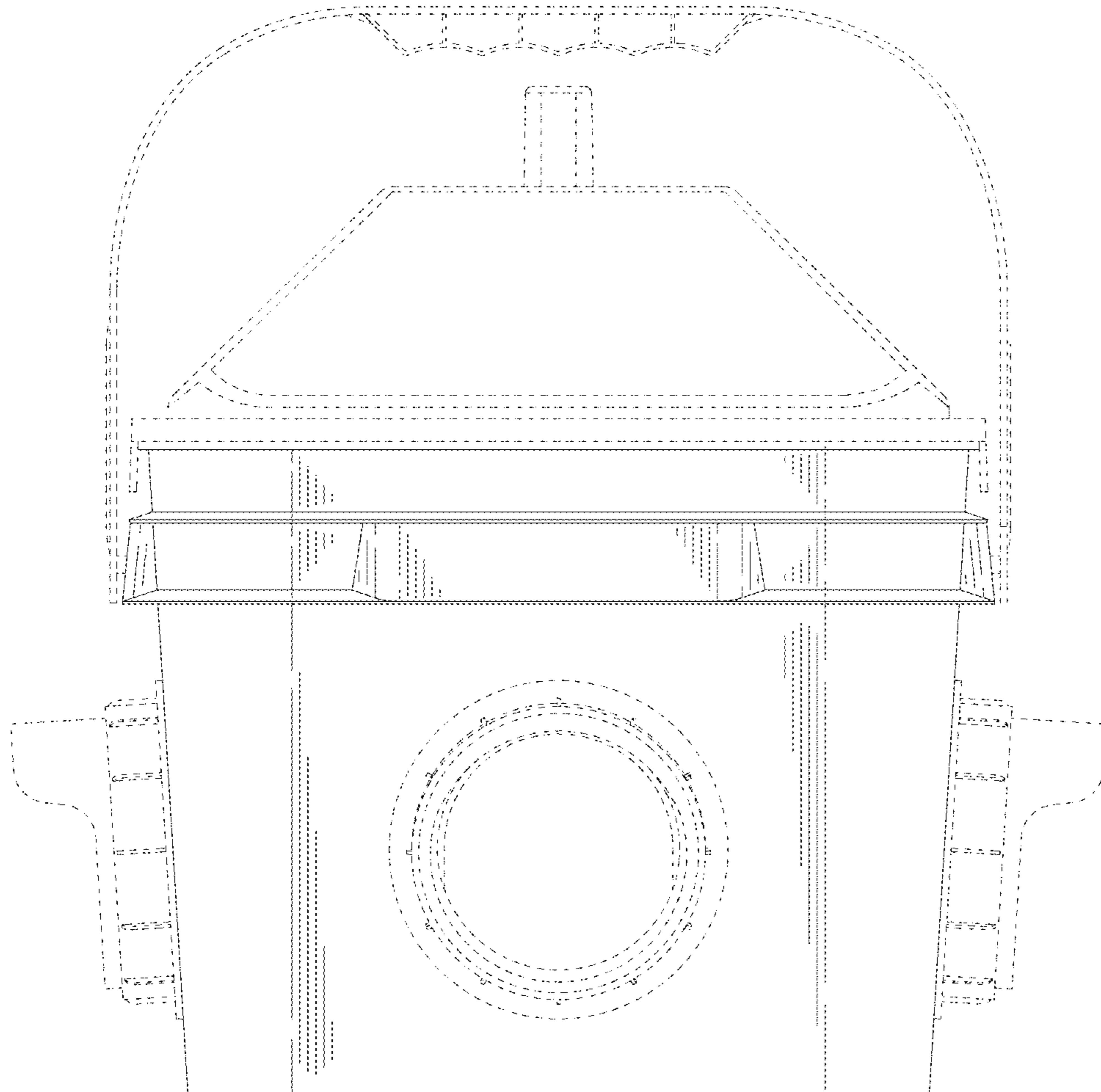


FIG. 4

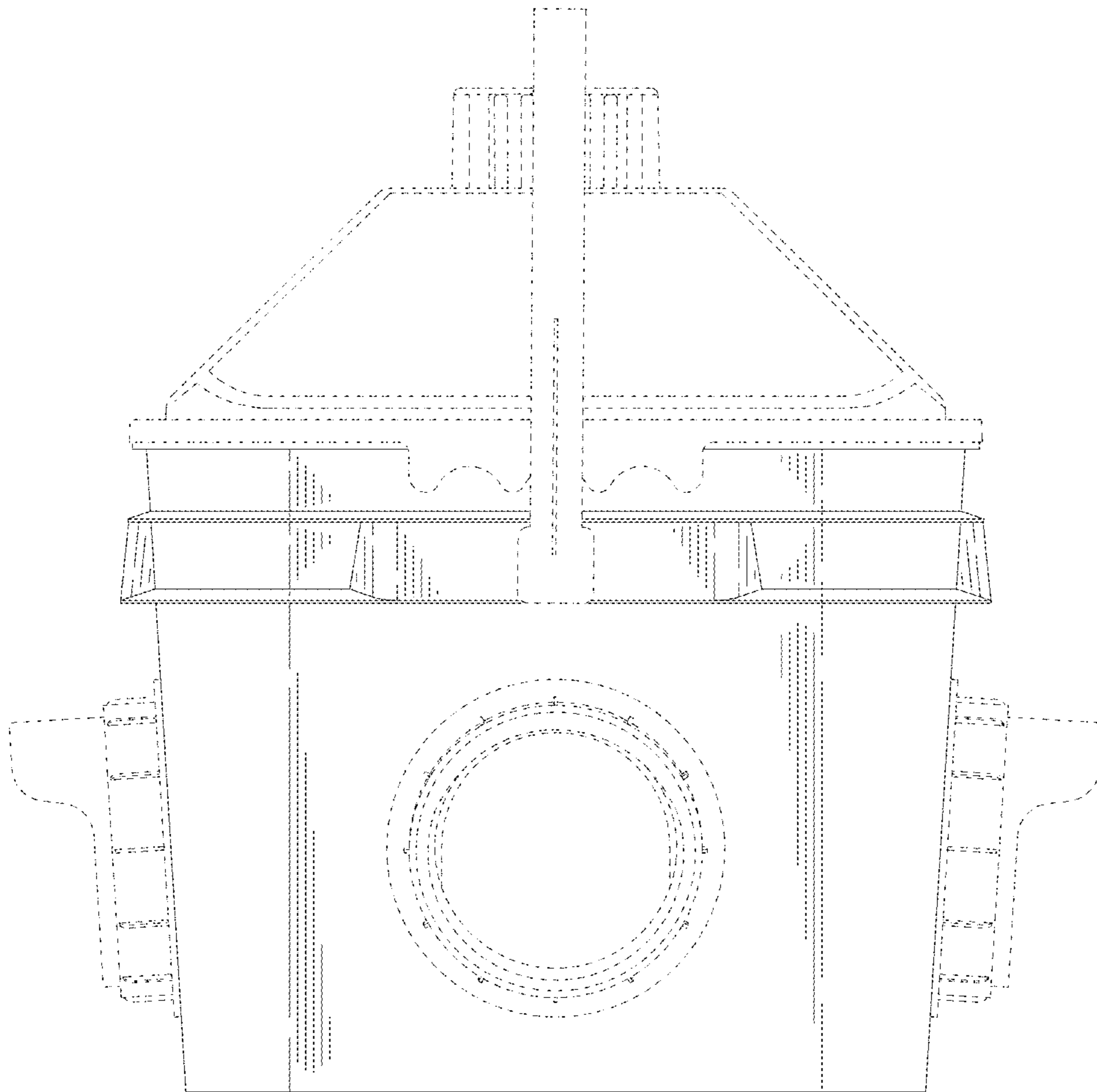


FIG. 5

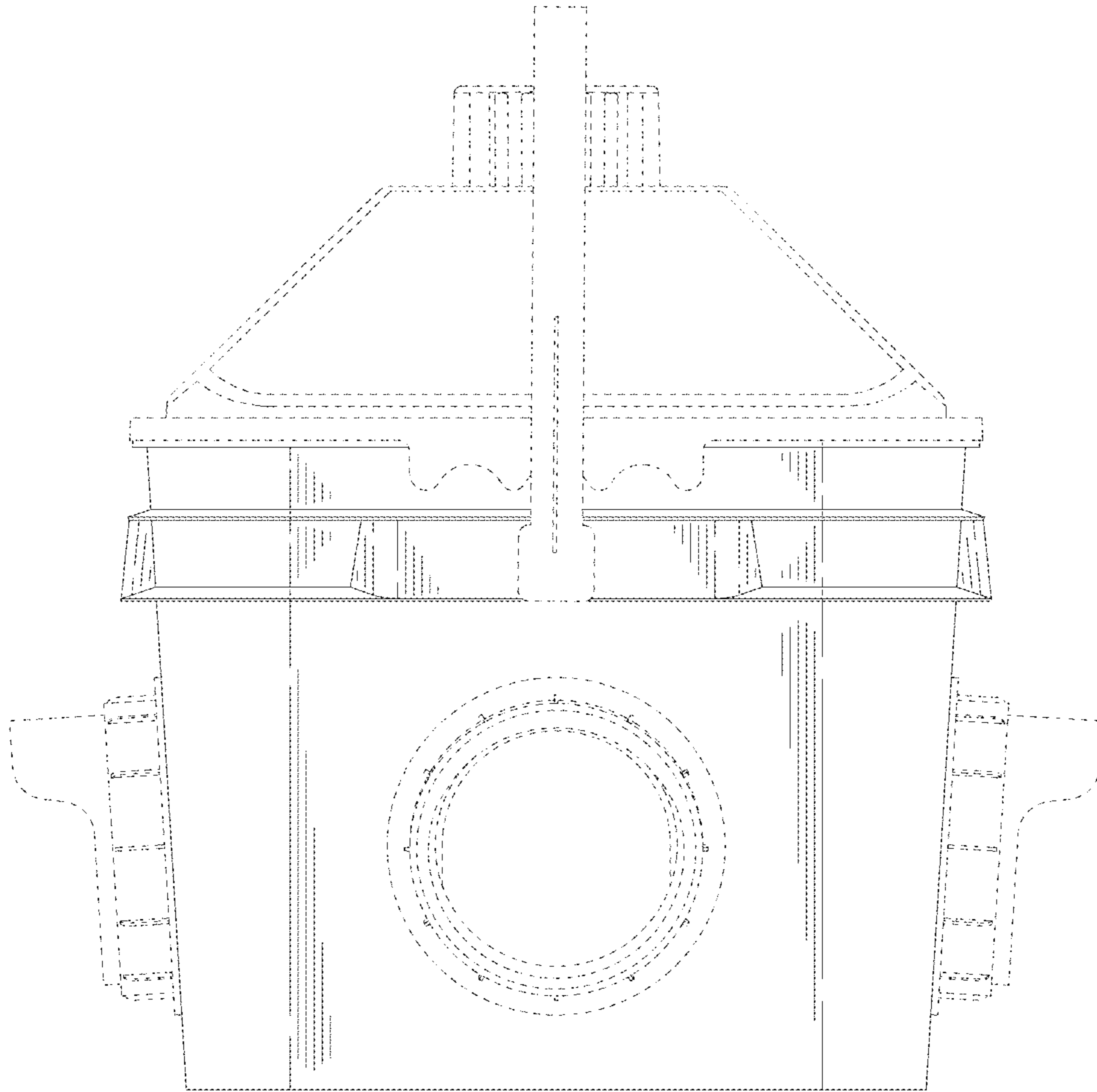


FIG. 6

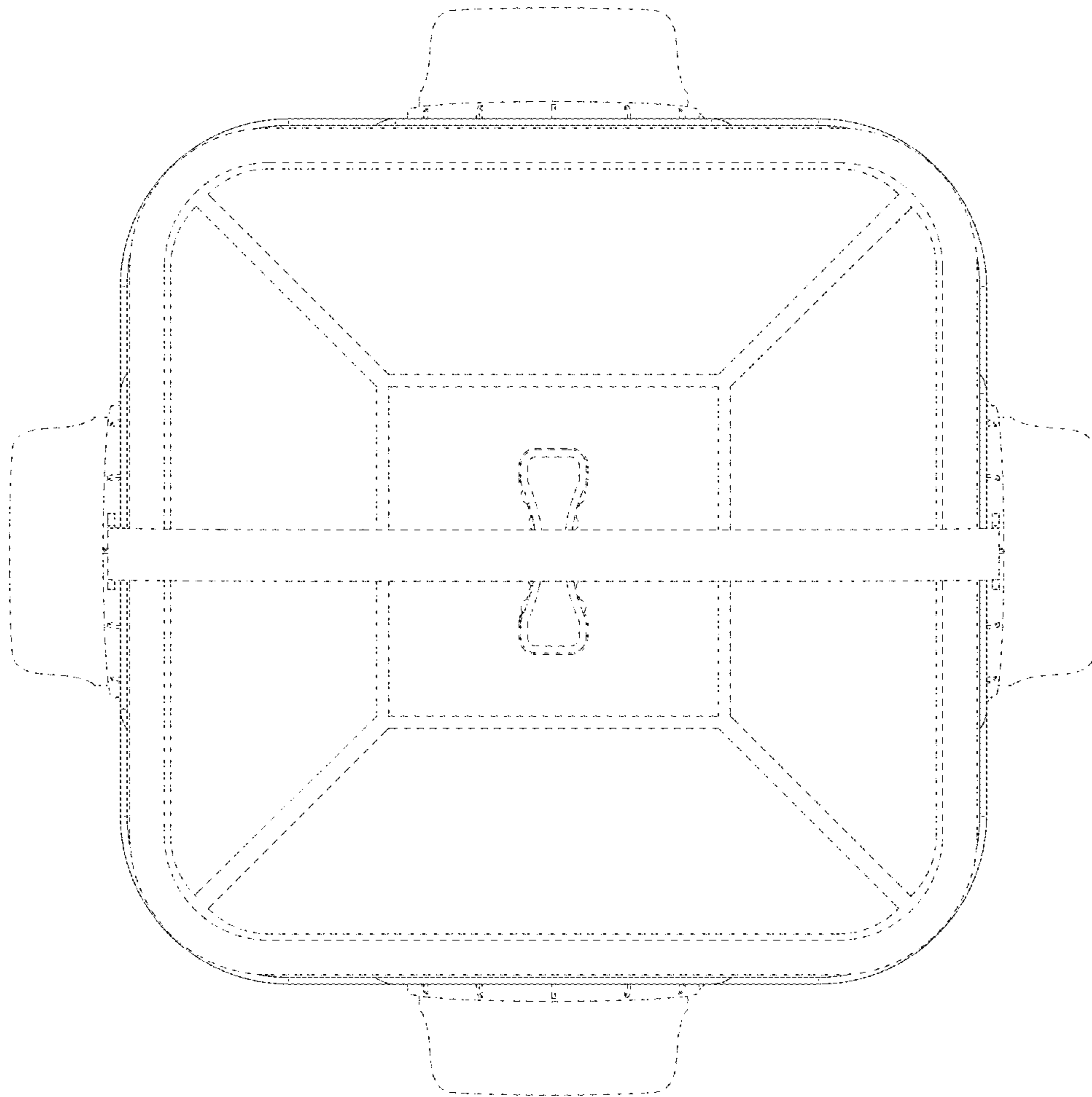


FIG. 7

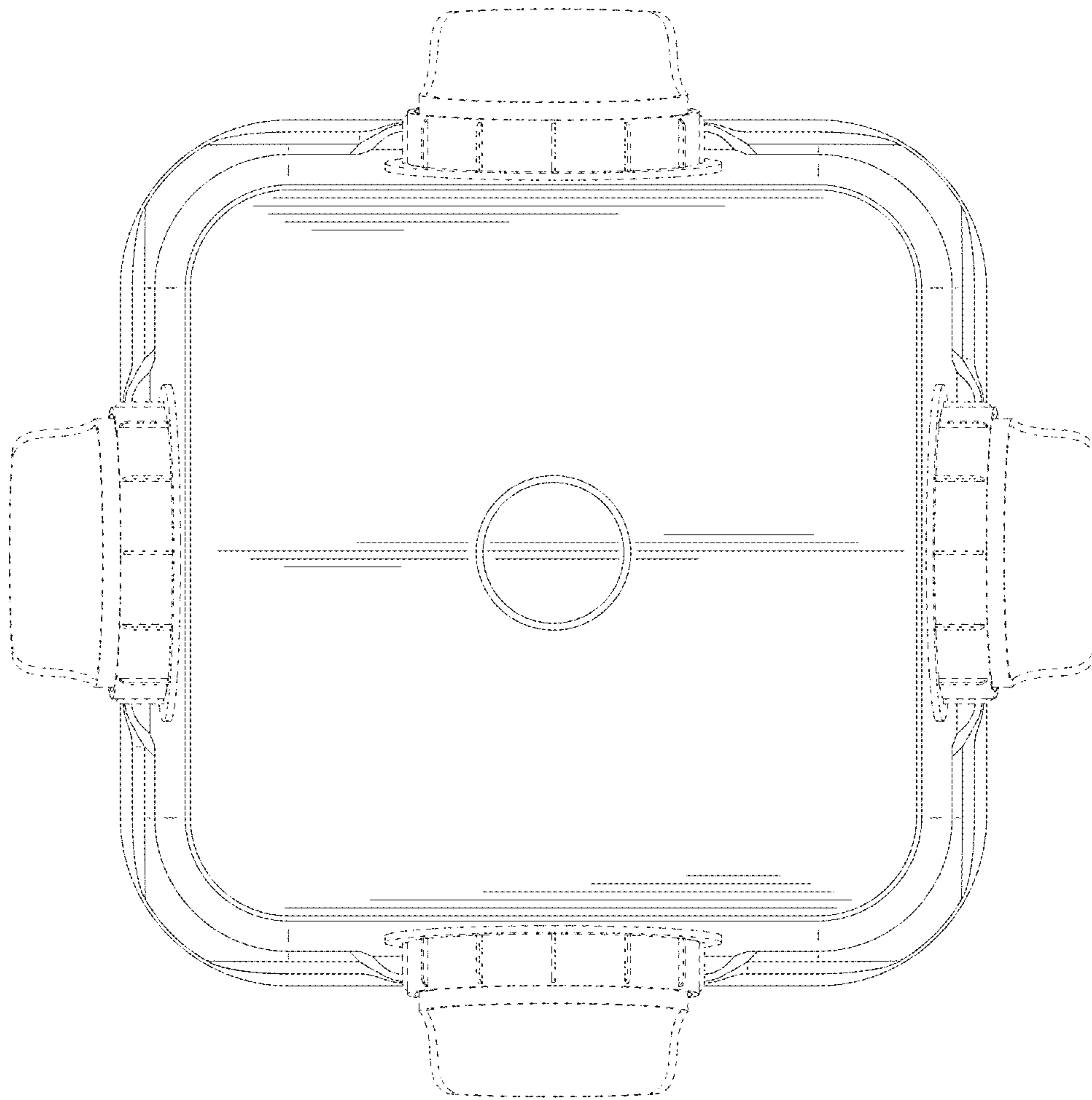


FIG. 8

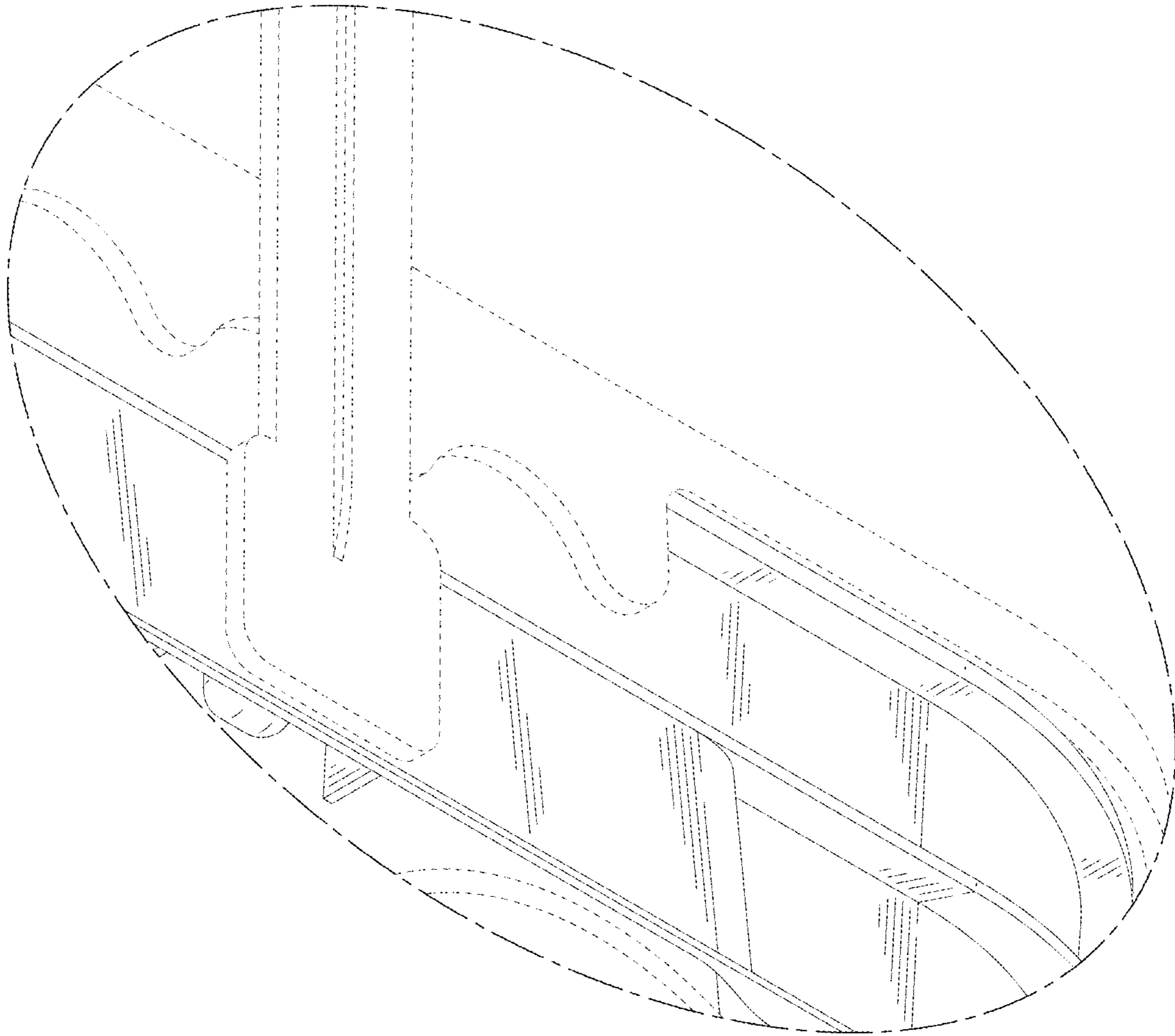


FIG. 9

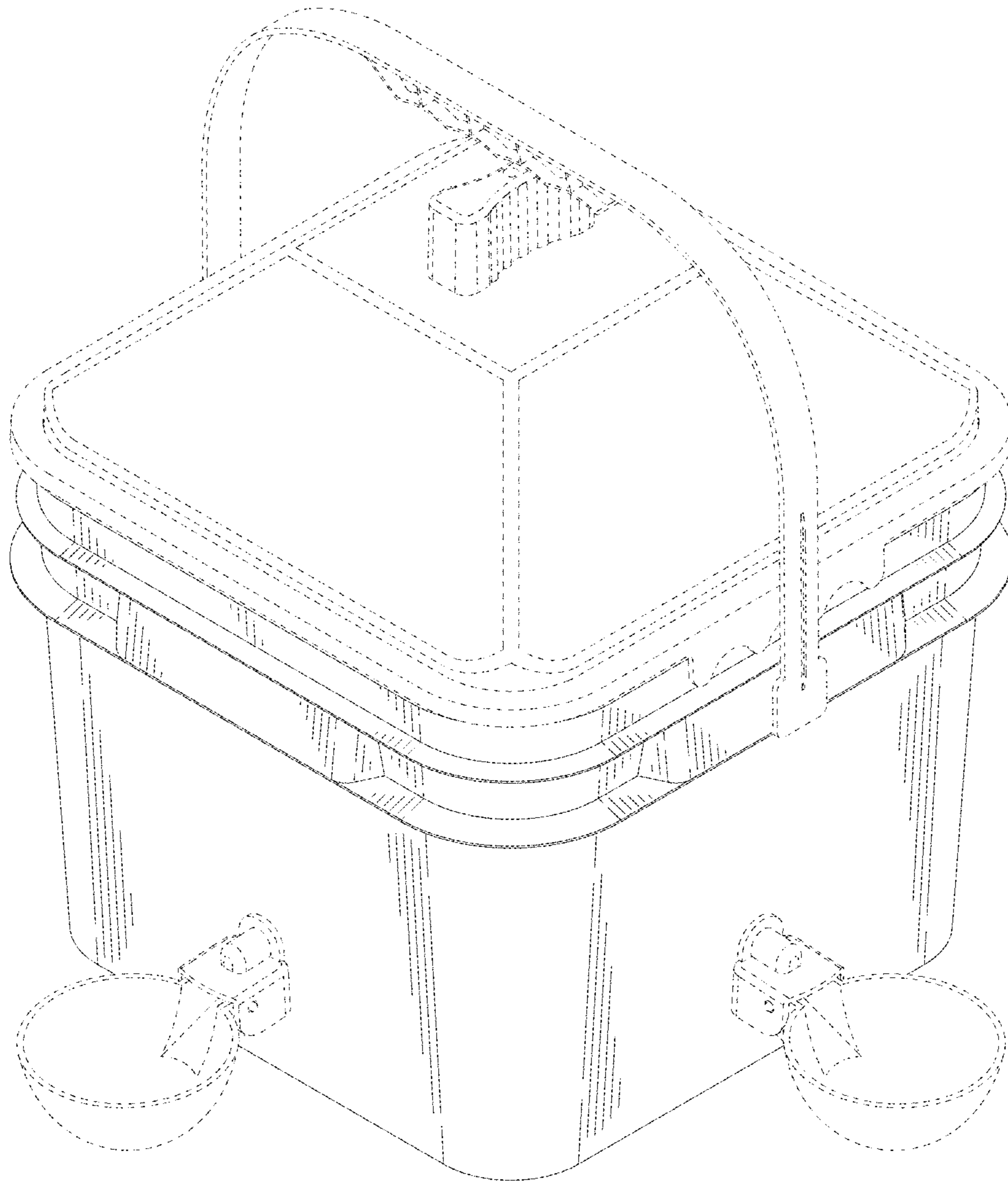


FIG. 10