



US00D987199S

(12) **United States Design Patent**
Frontull

(10) **Patent No.:** **US D987,199 S**
(45) **Date of Patent:** **** May 23, 2023**

(54) **FIRE EXTINGUISHING AUTOGUN**

(71) Applicant: **DEMACLENKO IT S.R.L.**, Vipiteno (IT)

(72) Inventor: **Achim Frontull**, Vipiteno (IT)

(73) Assignee: **DEMACLENKO IT S.R.L.**, Vipiteno (IT)

(**) Term: **15 Years**

(21) Appl. No.: **29/783,553**

(22) Filed: **May 13, 2021**

(30) **Foreign Application Priority Data**

Nov. 17, 2020 (EM) 008273528

(51) **LOC (14) Cl.** **29-01**

(52) **U.S. Cl.**
USPC **D29/125**

(58) **Field of Classification Search**

USPC D29/125, 126, 128, 129, 130; D23/214
CPC A62C 37/14; A62C 37/36; A62C 3/0207;
A62C 27/00; A62C 31/00; A62C 31/02;
B60F 1/005; B60F 1/043

See application file for complete search history.

(56) **References Cited**

U.S. PATENT DOCUMENTS

- 4,004,732 A * 1/1977 Hanson F25C 3/04
239/14.2
- 4,083,492 A * 4/1978 Dewey F25C 3/04
239/14.2
- 4,105,161 A * 8/1978 Kircher F25C 3/04
239/14.2
- 4,214,700 A * 7/1980 Vanderkelen F25C 3/04
239/14.2
- 4,222,519 A * 9/1980 Kircher F25C 3/04
239/14.2

- 4,593,854 A * 6/1986 Albertsson F25C 3/04
239/14.2
- 4,597,524 A * 7/1986 Albertsson F25C 3/04
239/14.2
- 5,167,367 A * 12/1992 VanderKelen F25C 3/04
239/14.2

(Continued)

OTHER PUBLICATIONS

Fan guns—Demacenko—Snowmaking systems (on-line), no date available. Retrieved from Internet Nov. 9, 2022, URL: <https://www.demacenko.com/en/snow-guns/our-snow-guns/40-0.html> (3 pages).*

Primary Examiner — Kimberly Barnes

(74) *Attorney, Agent, or Firm* — Neal, Gerber & Eisenberg LLP

(57) **CLAIM**

The ornamental design for a fire extinguishing autogun, as shown and described herein.

DESCRIPTION

FIG. 1 is a front/side perspective view of a fire extinguishing autogun showing my new design.

FIG. 2 is a front elevation view of the fire extinguishing autogun illustrated in FIG. 1.

FIG. 3 is a rear elevation view of the fire extinguishing autogun illustrated in FIG. 1.

FIG. 4 is a side view of the fire extinguishing autogun illustrated in FIG. 1.

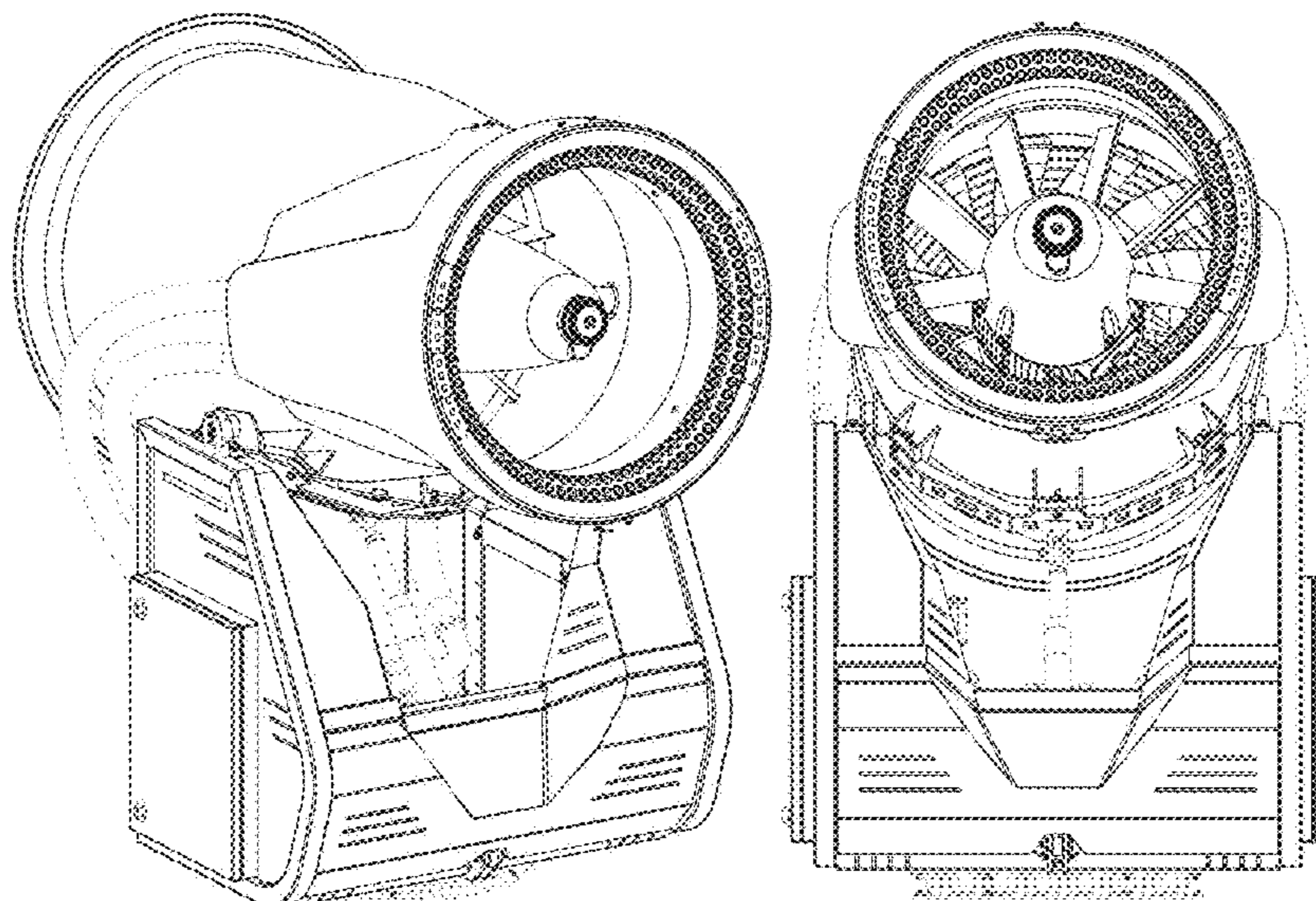
FIG. 5 is an opposite side view of the fire extinguishing autogun illustrated in FIG. 1.

FIG. 6 is a top plan view of the fire extinguishing autogun illustrated in FIG. 1; and,

FIG. 7 is a bottom plan view of the fire extinguishing autogun illustrated in FIG. 1.

The portion of the fire extinguishing autogun shown in broken lines is provided for environmental purposes only and forms no part of the claimed design.

1 Claim, 7 Drawing Sheets



(56)

References Cited

U.S. PATENT DOCUMENTS

5,400,966 A * 3/1995 Weaver F25C 3/04
239/14.2
6,223,995 B1 * 5/2001 Evans A01G 15/00
47/2
7,124,958 B2 * 10/2006 Schultz F25C 3/04
73/146
8,794,341 B2 * 8/2014 Howard, Sr. A62C 3/0214
239/207
9,586,068 B2 * 3/2017 Wiley A62C 3/0292
11,185,728 B2 * 11/2021 Fieber A62C 27/00
2008/0060822 A1 * 3/2008 Salmi A62C 27/00
169/24
2010/0252284 A1 * 10/2010 Johansen A62C 27/00
169/5
2015/0323089 A1 * 11/2015 Wang F16K 51/00
137/377
2020/0391060 A1 * 12/2020 Rieder A62C 27/00
2021/0113873 A1 * 4/2021 Villeneuve A62C 3/0292
2022/0057239 A1 * 2/2022 Bavar G01F 1/115
2022/0404085 A1 * 12/2022 Stuffer B05B 7/0075

* cited by examiner

FIG. 1

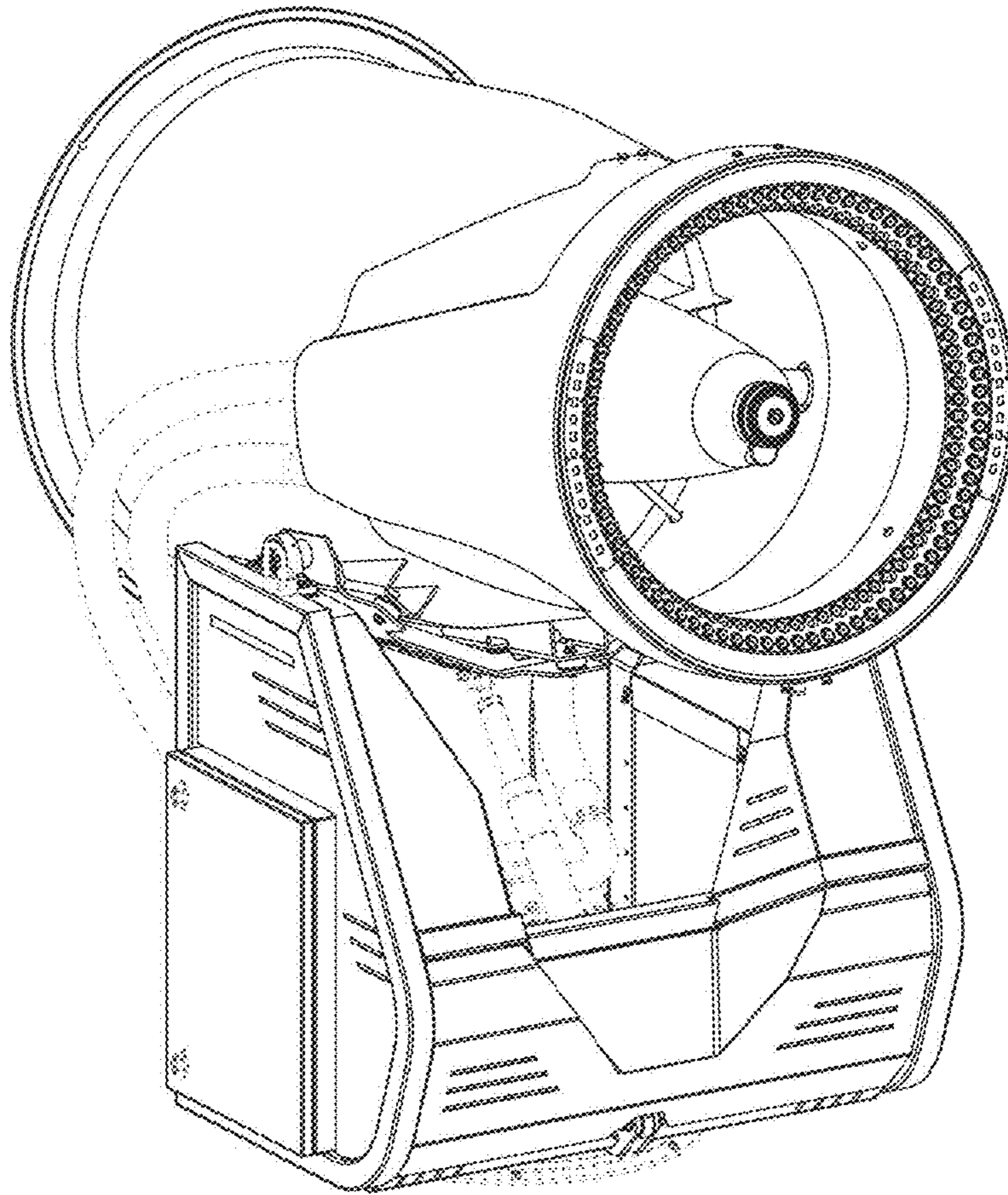


FIG. 2

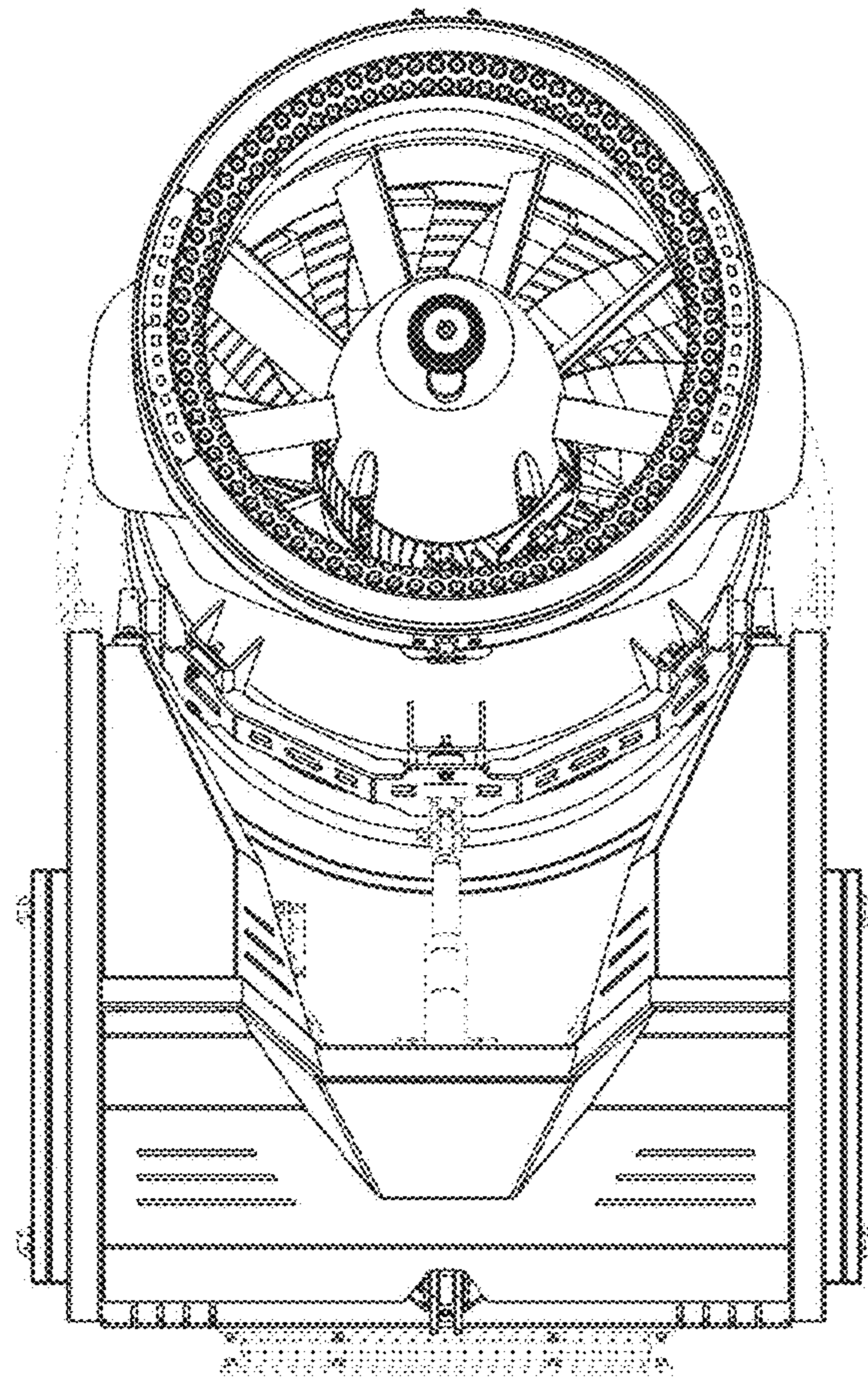


FIG. 3

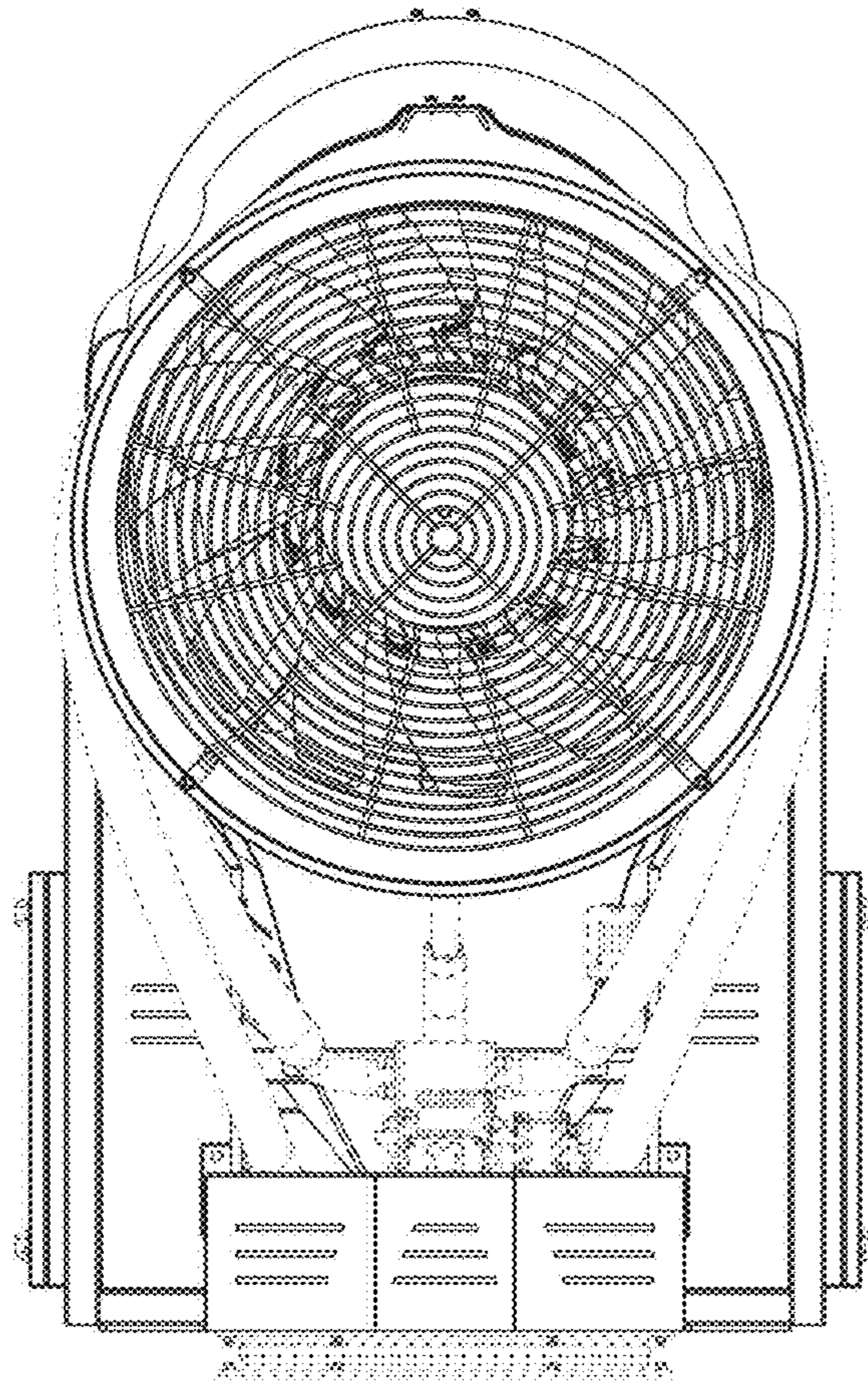


FIG. 4

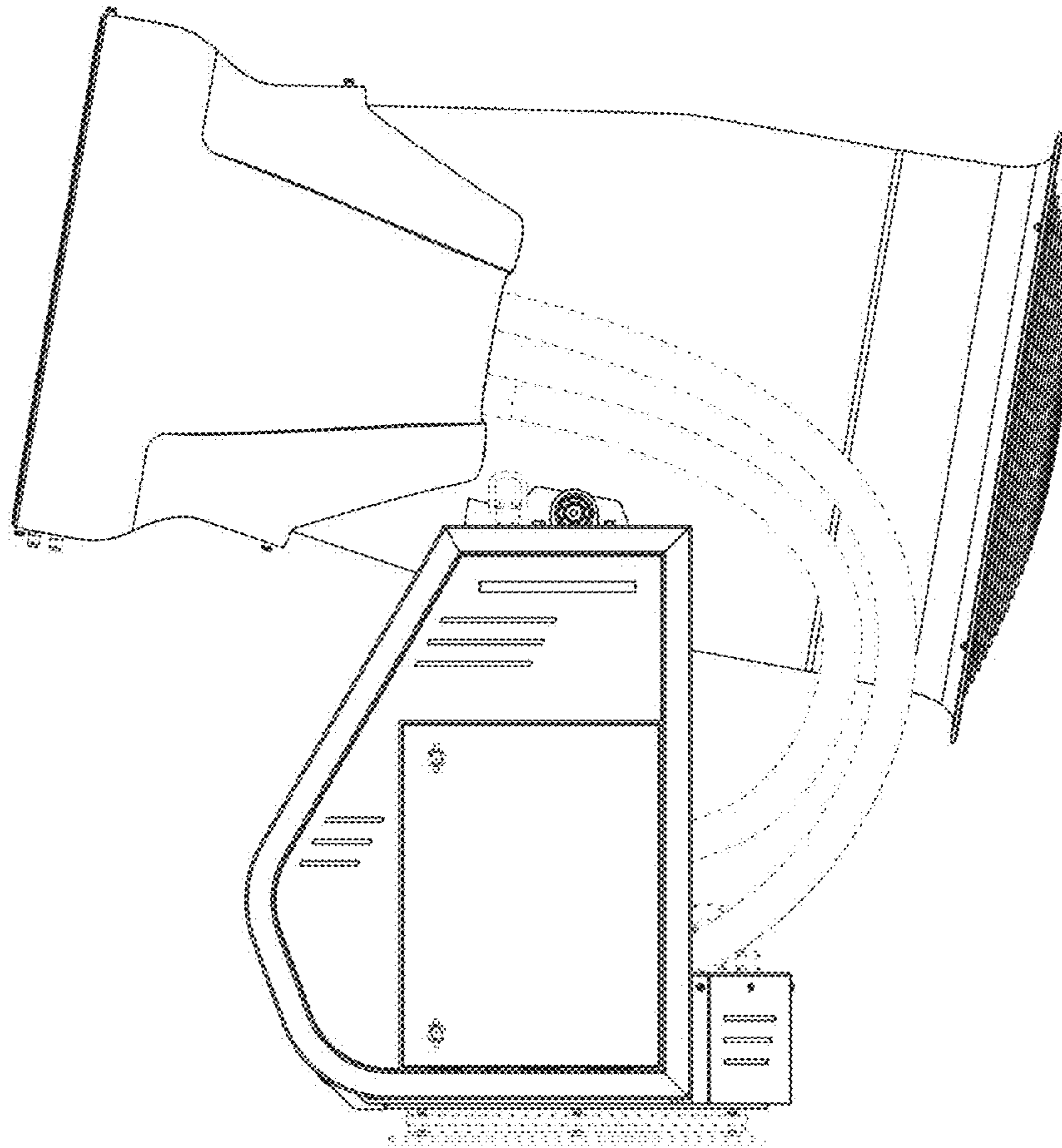


FIG. 5

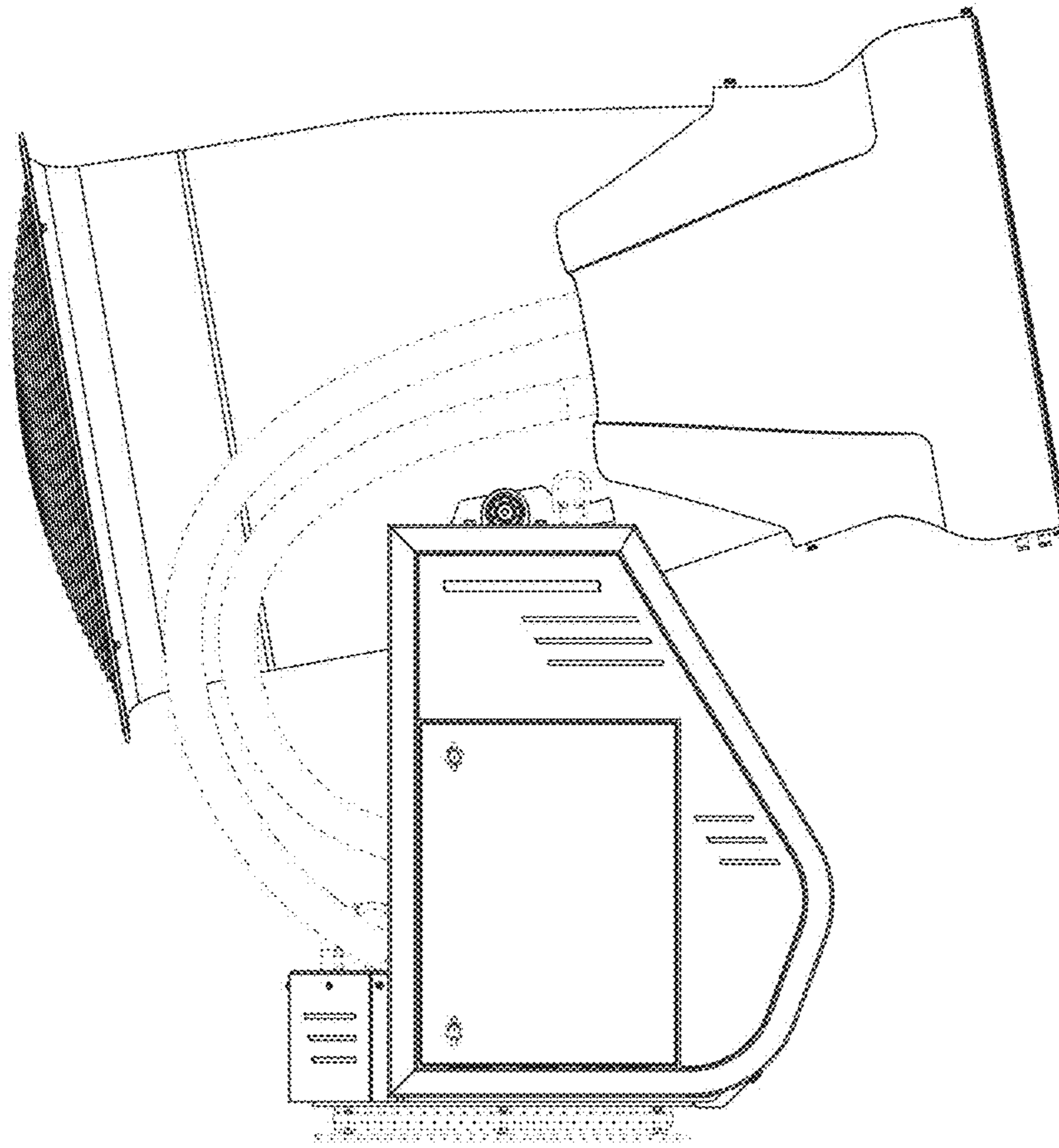


FIG. 6

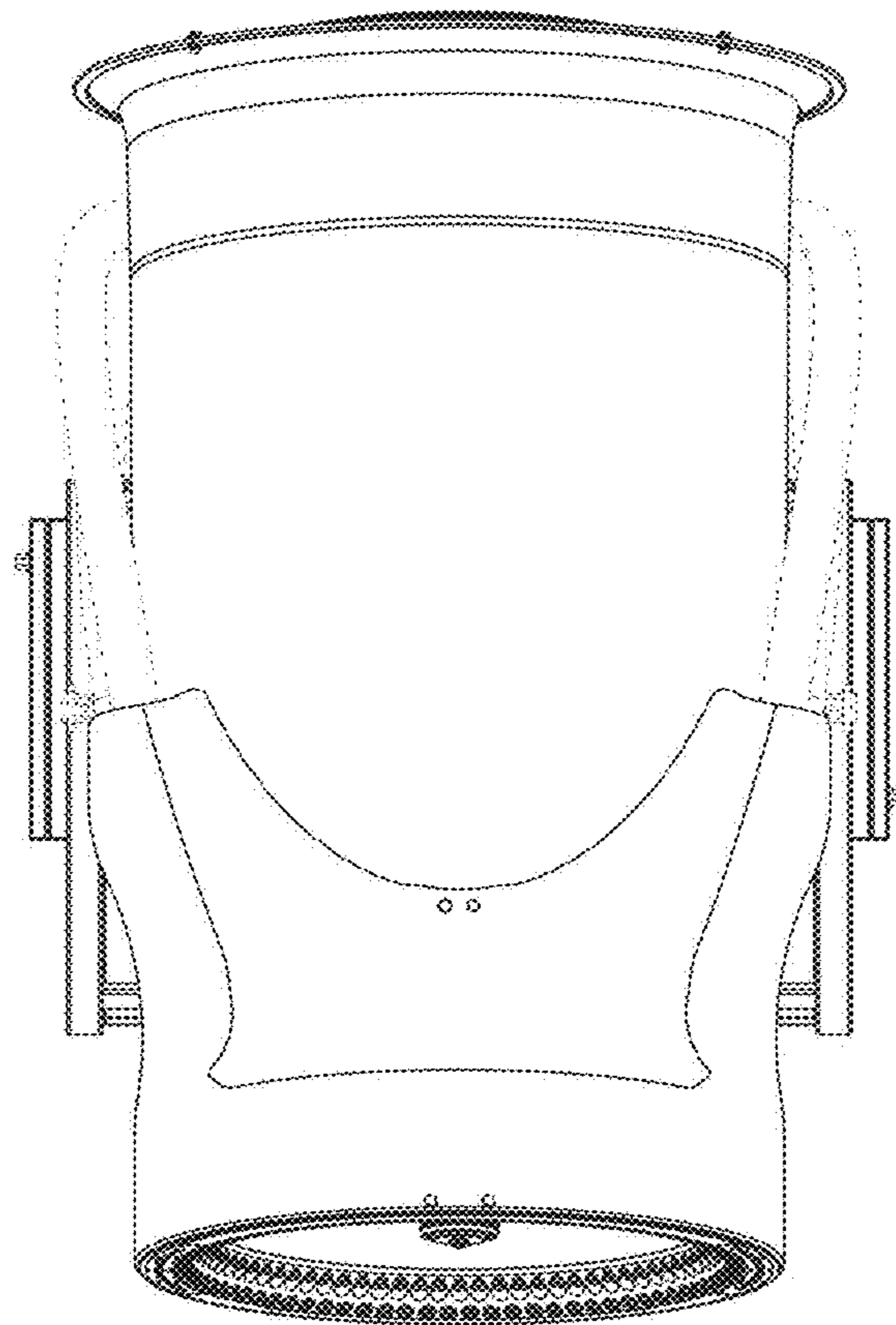


FIG. 7

