



US00D987196S

(12) **United States Design Patent** (10) **Patent No.:** **US D987,196 S**
Milbrandt (45) **Date of Patent:** **** May 23, 2023**

(54) **FACIAL SHIELD**

FOREIGN PATENT DOCUMENTS

(71) Applicant: **Bedford Industries, Inc.**, Worthington, MN (US)
(72) Inventor: **Jay Milbrandt**, Worthington, MN (US)
(73) Assignee: **Bedford Industries, Inc.**, Worthington, MN (US)

EP 1575388 B1 2/2009
WO 2004060090 A1 7/2004
WO 2012137944 A1 10/2012

Primary Examiner — Robert A Delehanty
(74) *Attorney, Agent, or Firm* — Ames L. Young;
Westman, Champlin & Koehler P.A.

(**) Term: **15 Years**

(57) **CLAIM**

(21) Appl. No.: **29/758,446**

The ornamental design for a facial shield, as shown and described.

(22) Filed: **Nov. 16, 2020**

(51) **LOC (14) Cl.** **29-02**

DESCRIPTION

(52) **U.S. Cl.**
USPC **D29/110**

(58) **Field of Classification Search**
USPC D29/102, 105–109, 110, 122; D24/101.1, D24/101.2; D7/698; D28/9
See application file for complete search history.

FIG. 1 is a perspective view of a first embodiment thereof;
FIG. 2 is a front view thereof;
FIG. 3 is a rear view thereof;
FIG. 4 is a left side view thereof;
FIG. 5 is a right side view thereof;
FIG. 6 is a top view thereof;
FIG. 7 is a bottom view thereof;
FIG. 8 is an enlarged perspective view of Section 8 in FIG. 1;
FIG. 9 is an enlarged view of Section 9 in FIG. 5;
FIG. 10 is a perspective view of a second embodiment thereof;
FIG. 11 is a front view thereof;
FIG. 12 is a rear view thereof;
FIG. 13 is a left side view thereof;
FIG. 14 is a right side view thereof;
FIG. 15 is a top view thereof;
FIG. 16 is a bottom view thereof;
FIG. 17 is an enlarged perspective view of Section 17 in FIG. 10; and,
FIG. 18 is an enlarged view of Section 18 in FIG. 14.
The broken lines form no part of the claimed design.

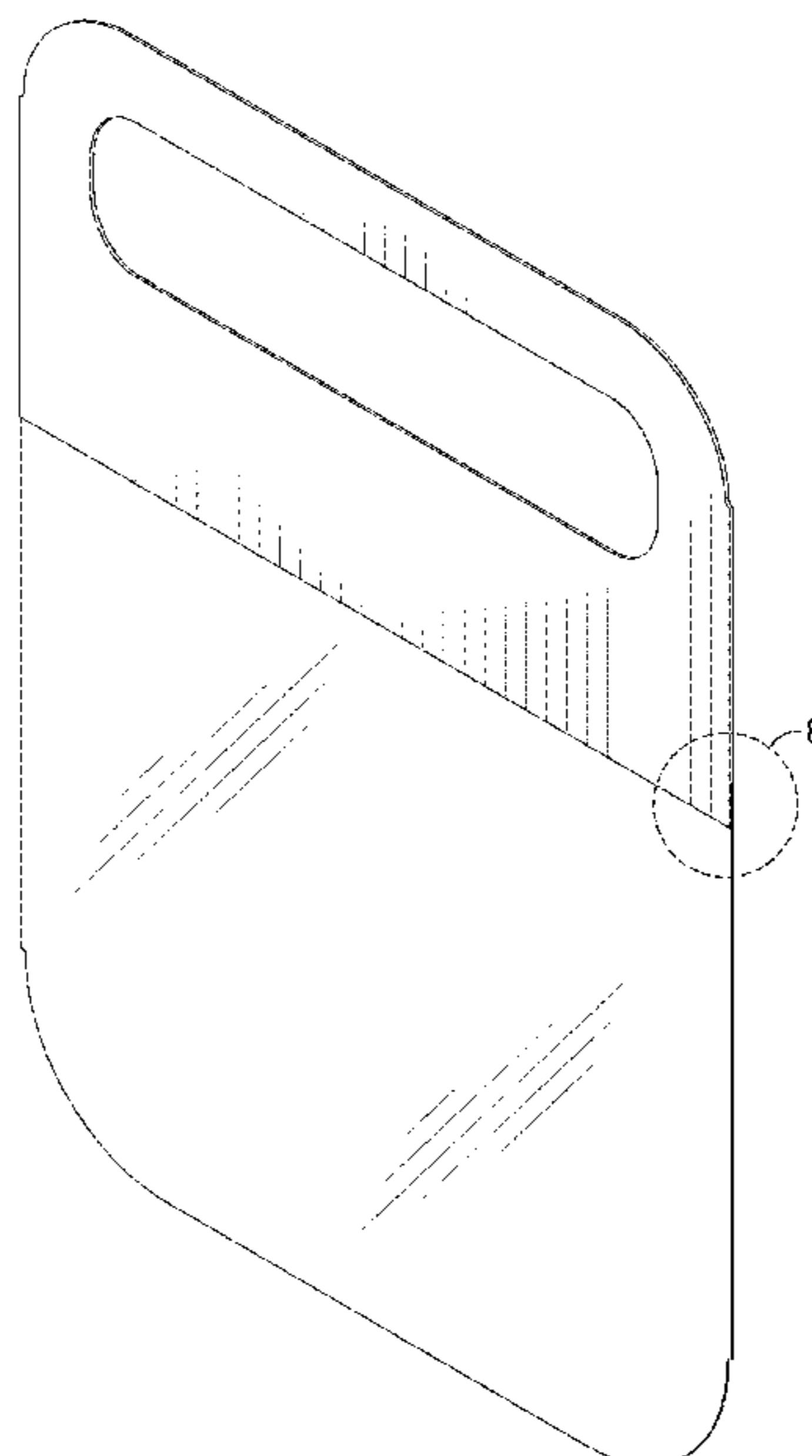
(56) **References Cited**

U.S. PATENT DOCUMENTS

2,142,282 A 1/1939 Norton
D161,596 S * 1/1951 Russ D7/698
3,041,624 A * 7/1962 Cutrona, Jr. A41D 13/1184
D29/110
3,735,865 A 5/1973 Smith
3,886,597 A 6/1975 Dupre
4,084,585 A 4/1978 Venaleck
D248,674 S * 7/1978 Hannon D28/9
D255,606 S * 6/1980 Garcia D28/9
D266,193 S * 9/1982 Ivone D28/9
D268,877 S * 5/1983 Loewenstine D28/9
4,550,856 A 11/1985 Ballmann et al.
4,630,310 A 12/1986 Winesett
4,790,307 A 12/1988 Haber et al.
4,853,974 A 8/1989 Olim
4,867,178 A 9/1989 Smith

(Continued)

1 Claim, 10 Drawing Sheets



(56)

References Cited

U.S. PATENT DOCUMENTS

4,884,296	A	12/1989	Nix, Jr.	
D314,693	S *	2/1991	Sata	D7/698
5,240,755	A	8/1993	Zimmer	
5,706,803	A	1/1998	Bayer	
5,819,935	A	10/1998	Lawson	
6,148,817	A	11/2000	Bryant et al.	
6,213,125	B1	4/2001	Reese et al.	
6,644,314	B1	11/2003	Elsberg	
7,032,751	B2	4/2006	Bell et al.	
7,281,345	B2	10/2007	Ludlow et al.	
7,941,953	B2 *	5/2011	Ludlow	G09F 3/14 40/665
D745,345	S *	12/2015	Joseph	D7/698
9,616,258	B2	4/2017	Tsuei	
9,676,536	B2 *	6/2017	Milbrandt	B65D 23/14
9,706,800	B2	7/2017	Tai et al.	
9,949,517	B2	4/2018	Howard	
D962,010	S *	8/2022	Nichols	D7/698
2004/0000313	A1	1/2004	Gaynor et al.	
2008/0035153	A1	2/2008	Lin	
2012/0125343	A1	5/2012	Tai	
2014/0224261	A1	8/2014	Tsuei	
2015/0173436	A1	6/2015	Tsuei	
2015/0335080	A1	11/2015	Giles	
2022/0007762	A1 *	1/2022	Rubio	A41D 13/1192

* cited by examiner

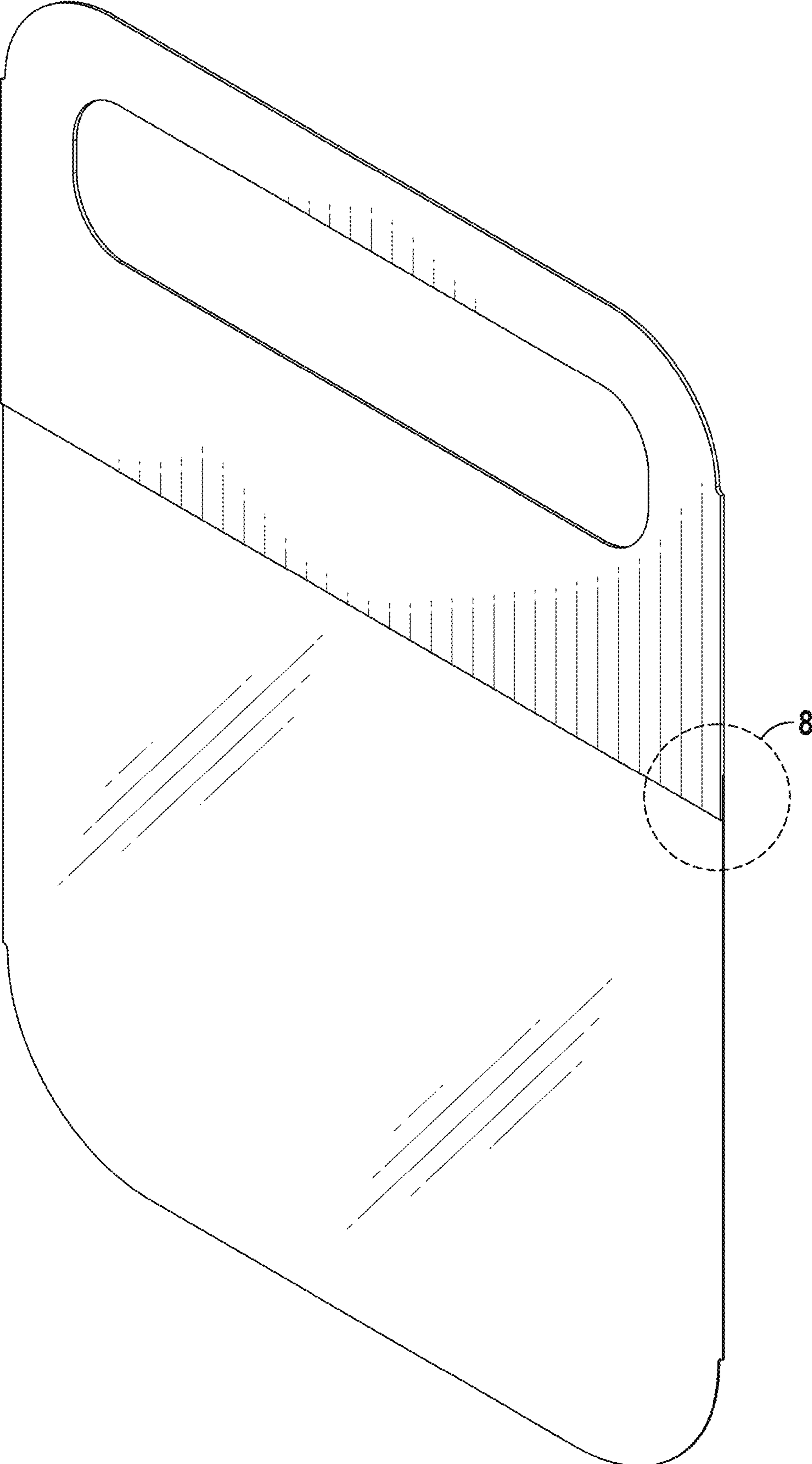


FIG. 1

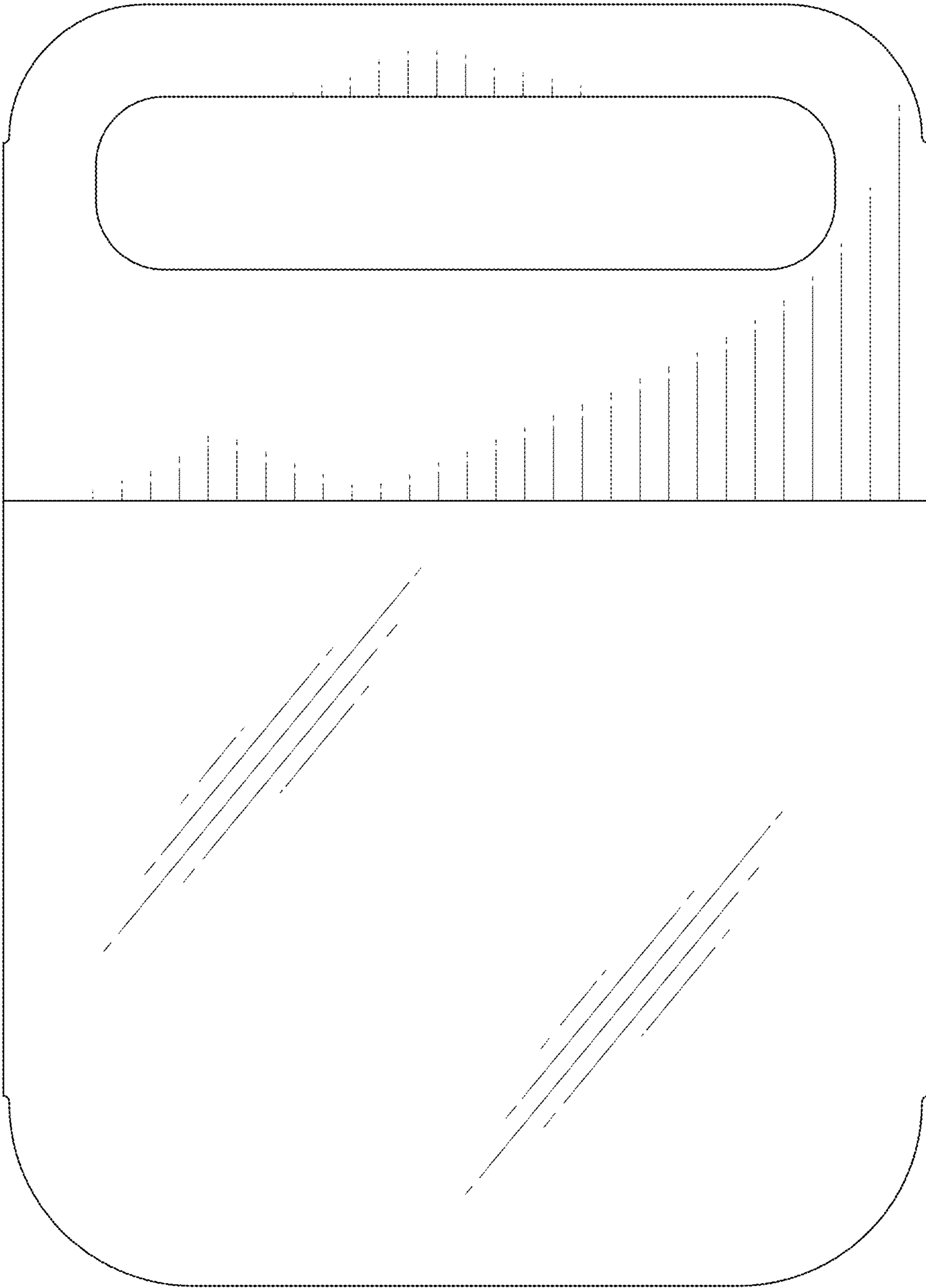


FIG. 2

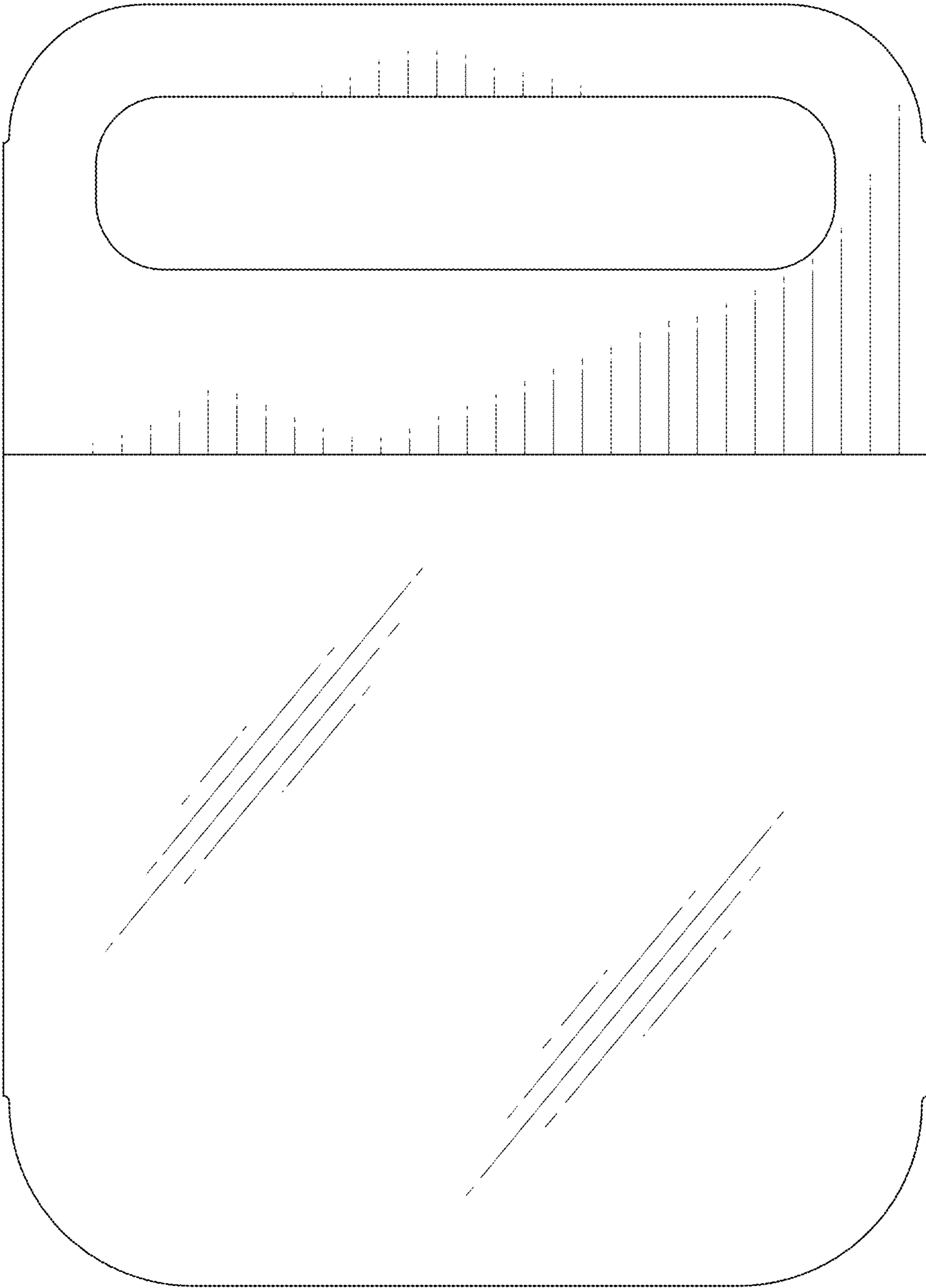


FIG. 3



FIG. 4

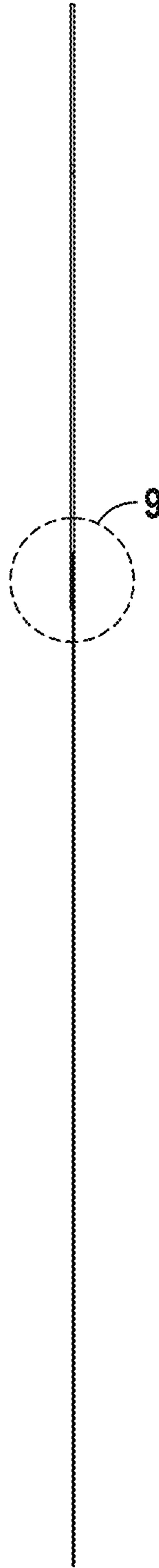


FIG. 5

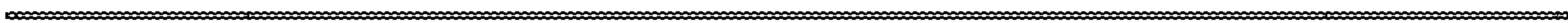


FIG. 6



FIG. 7

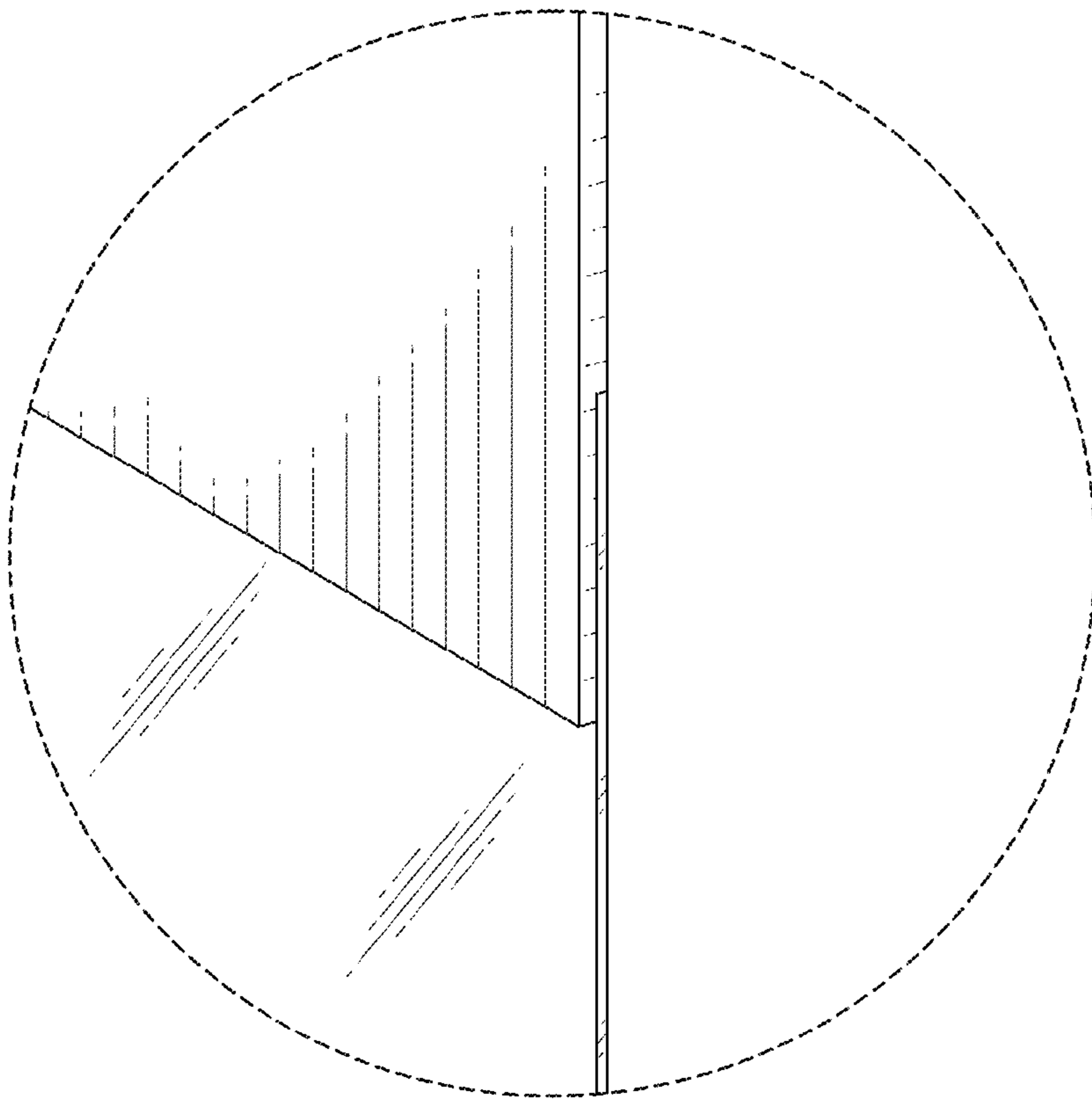


FIG. 8

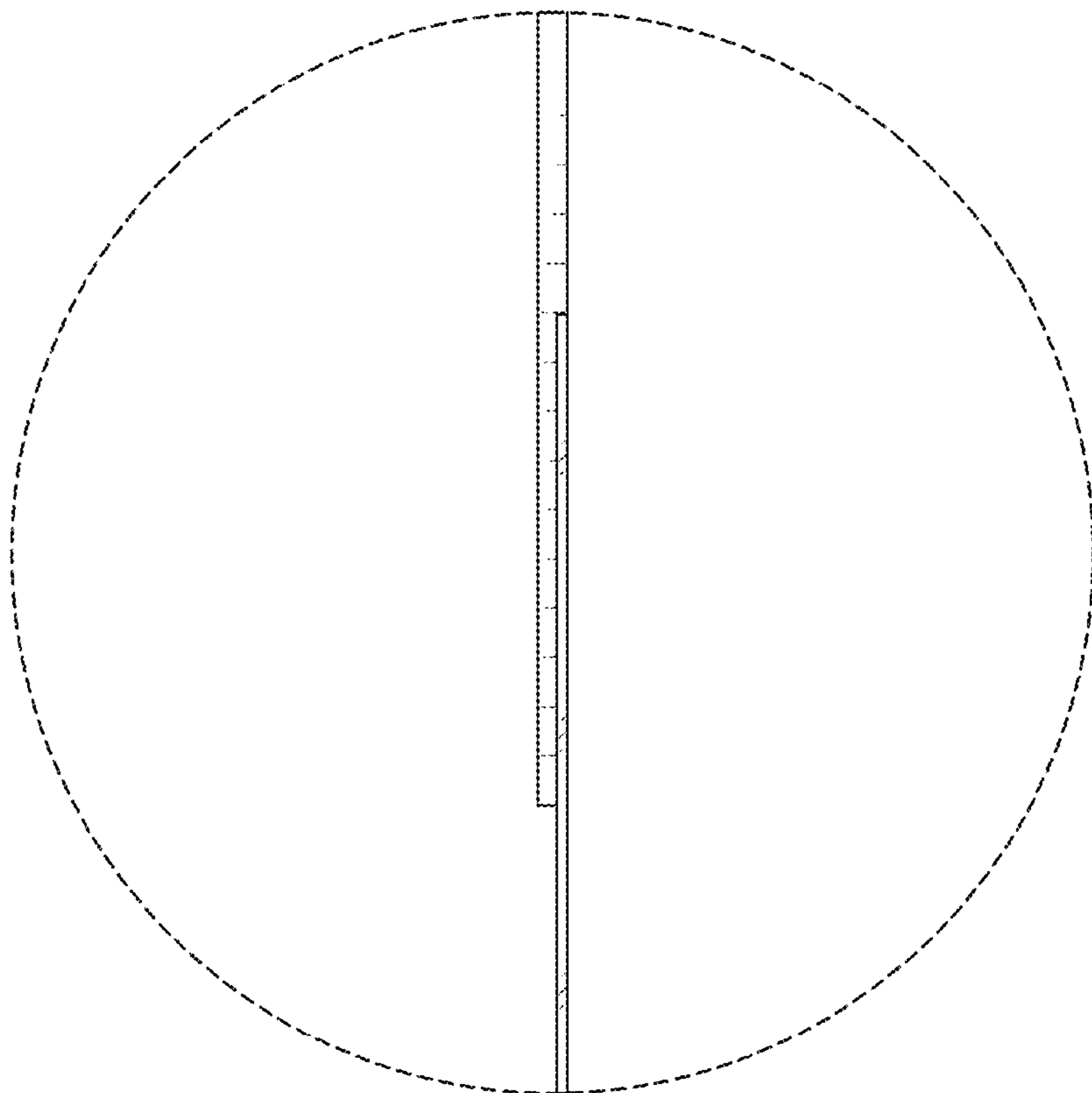


FIG. 9

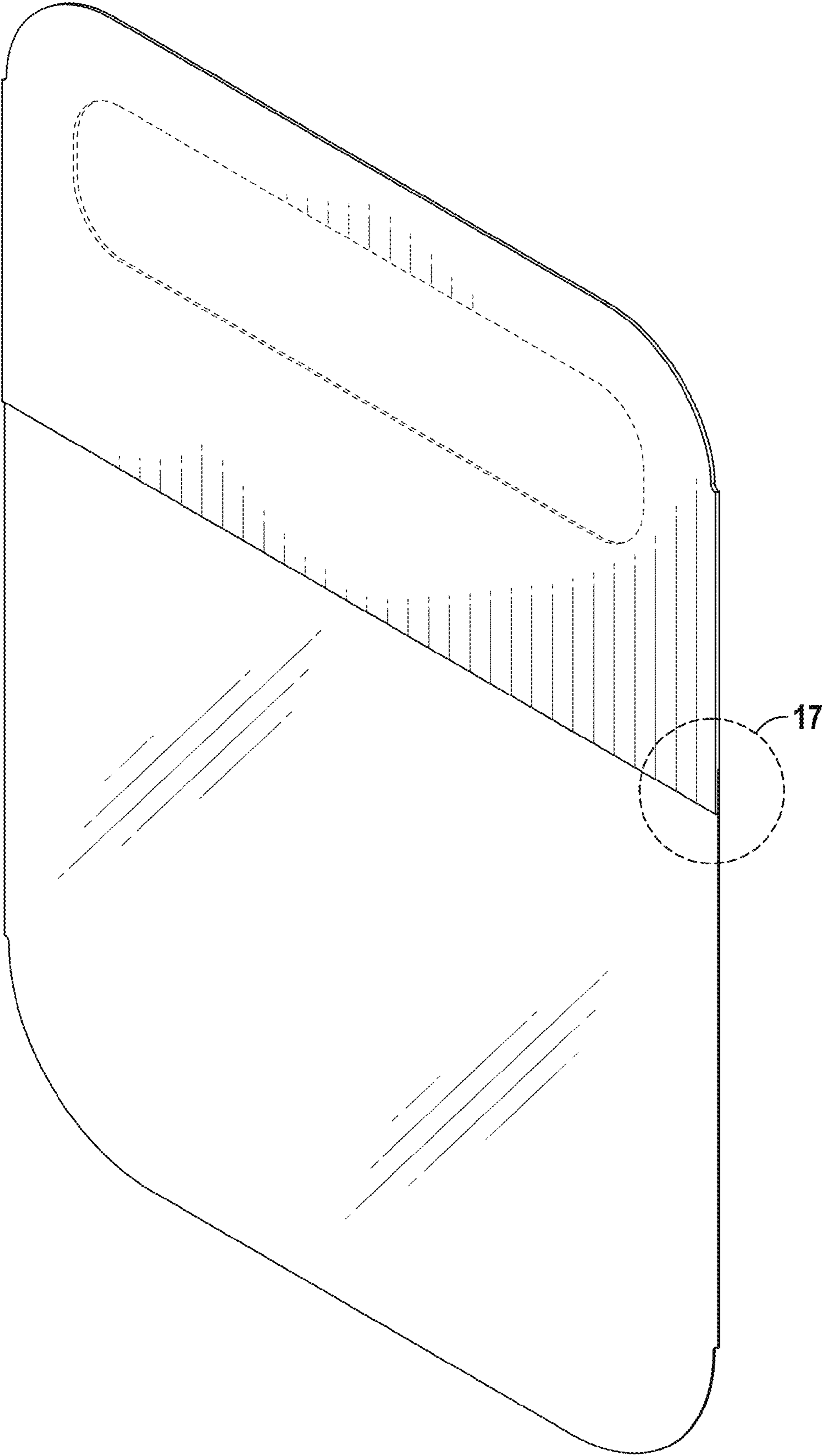


FIG. 10

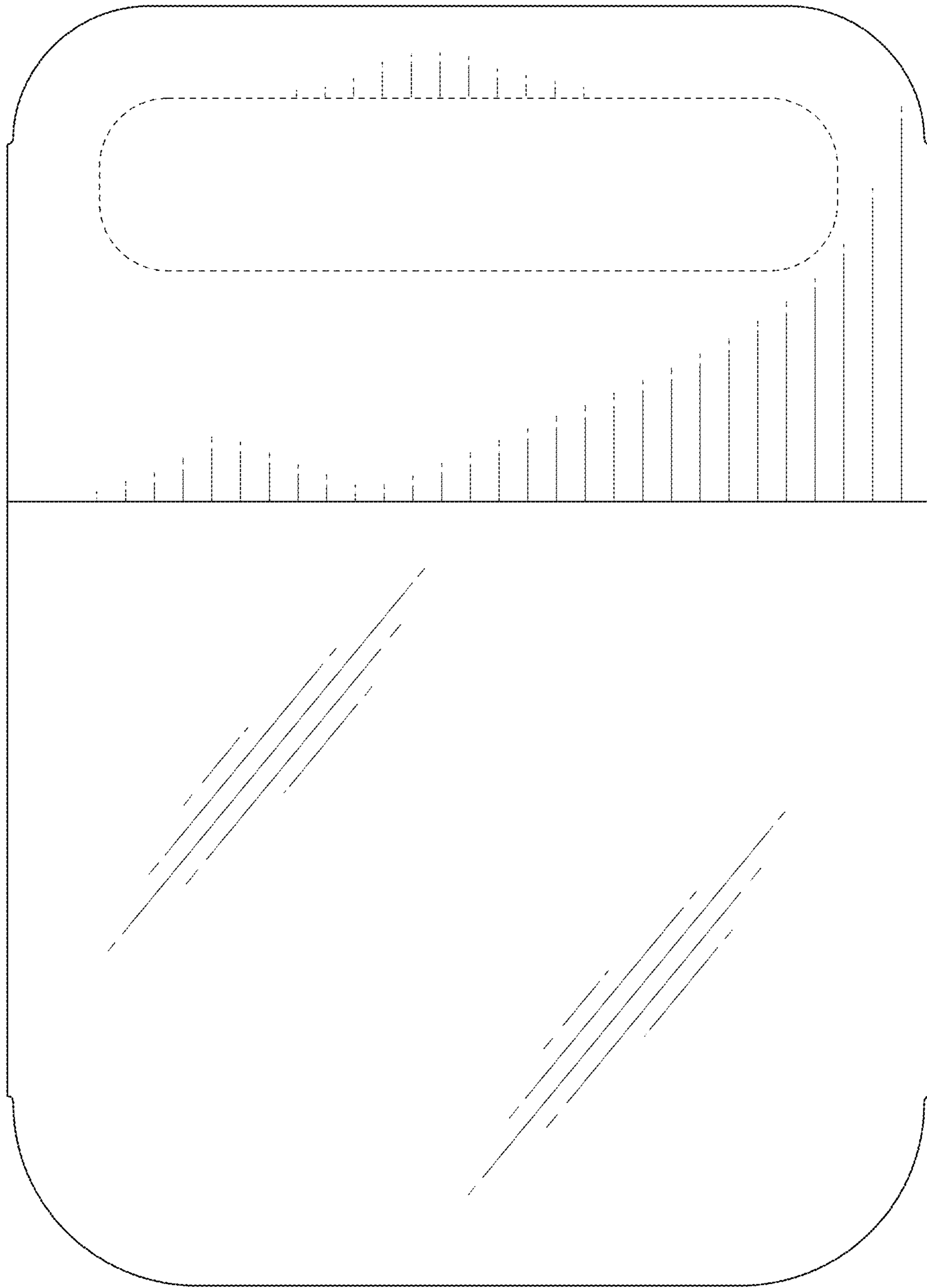


FIG. 11

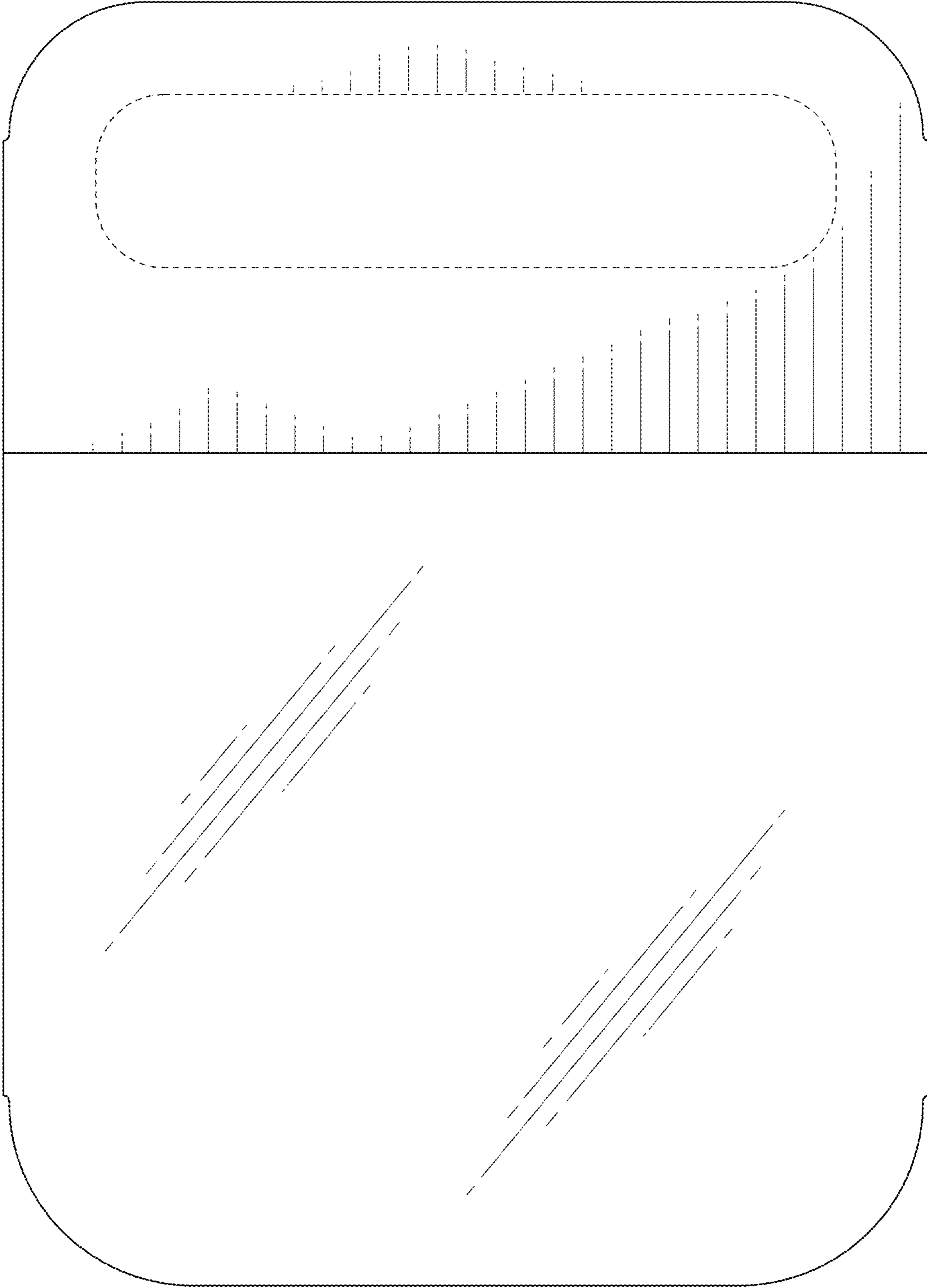


FIG. 12



FIG. 13



FIG. 14

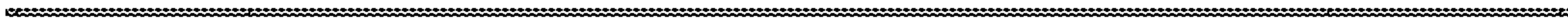


FIG. 15



FIG. 16

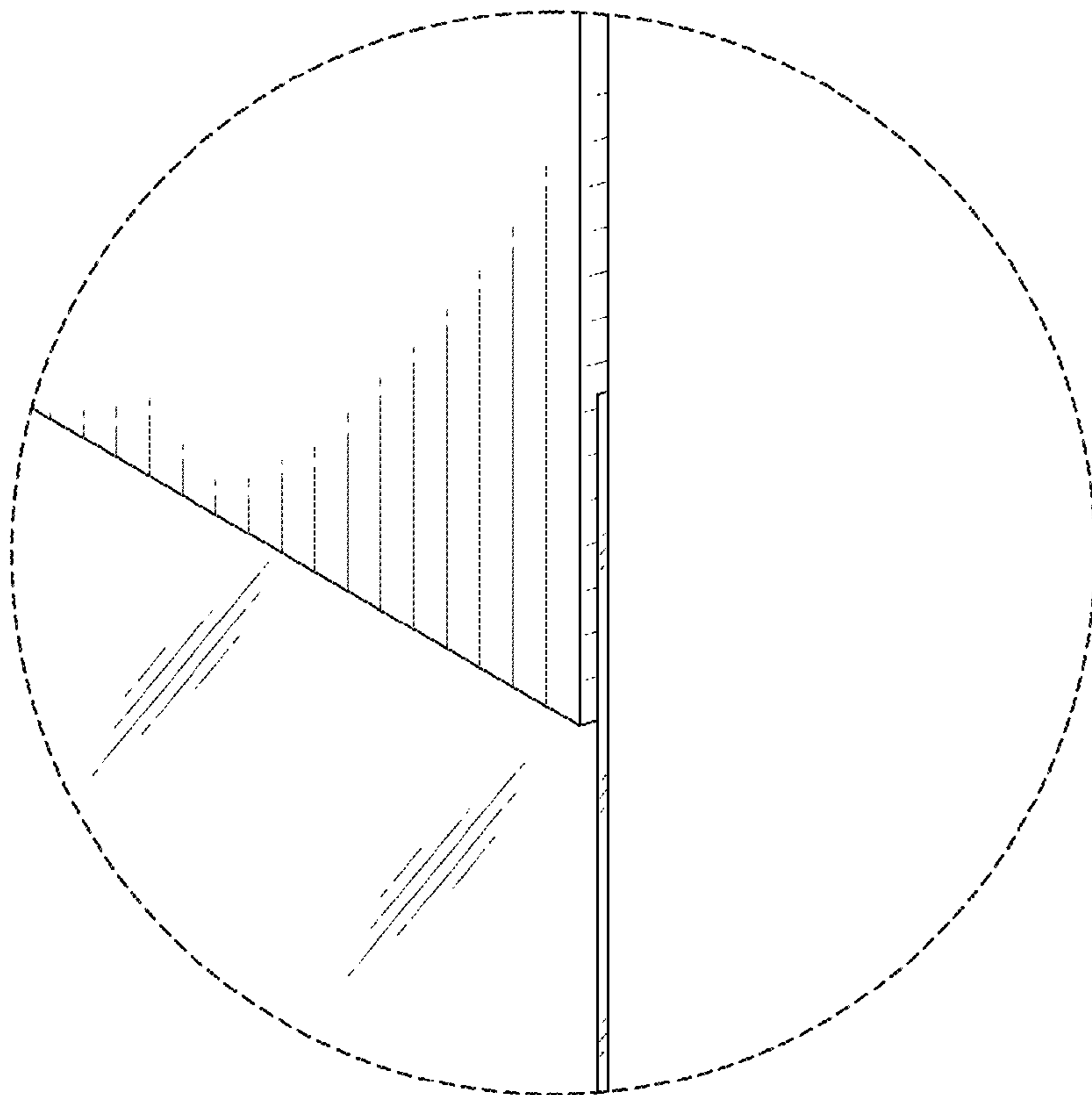


FIG. 17

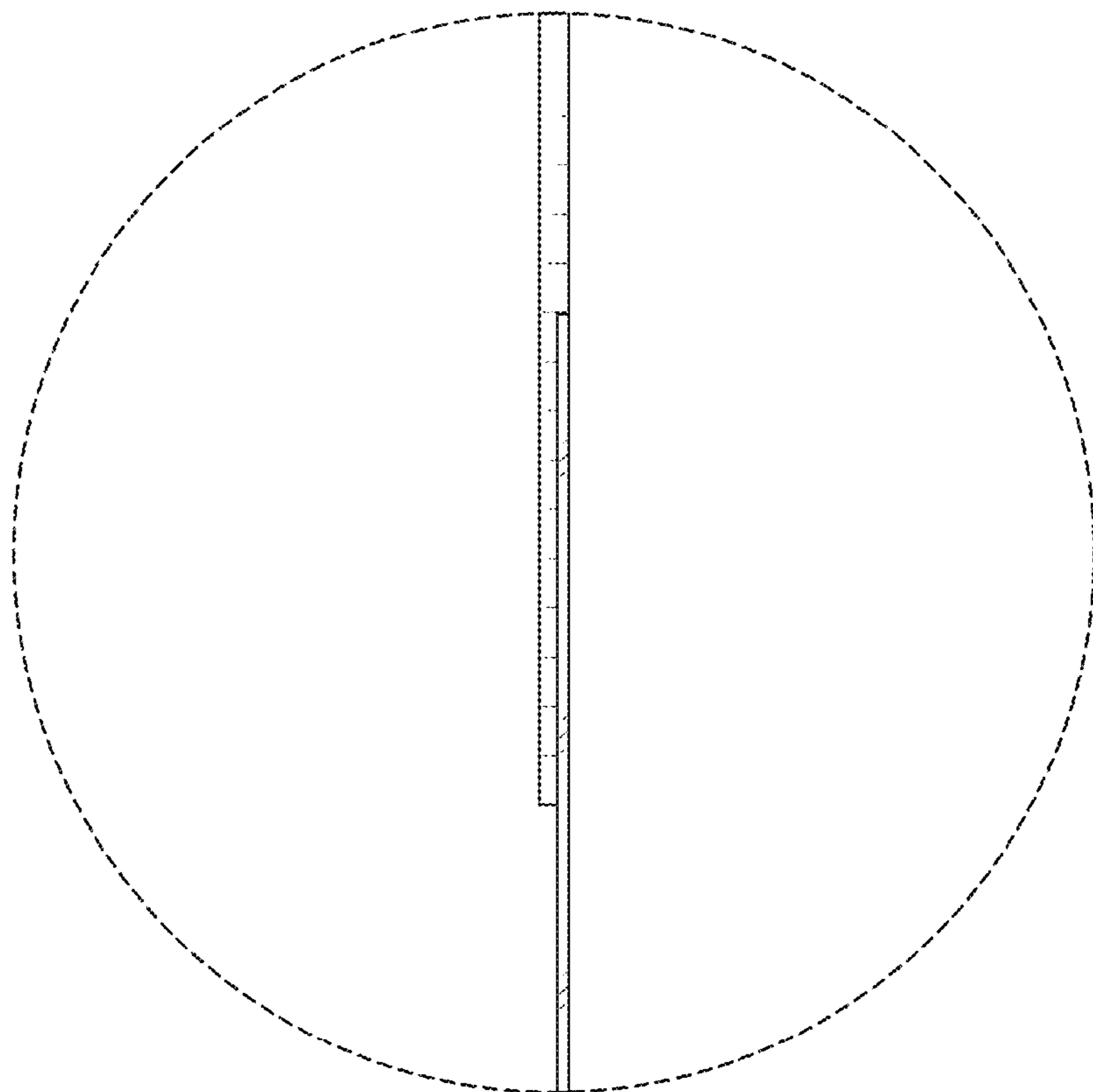


FIG. 18