



US00D987190S

(12) **United States Design Patent**
Hong

(10) **Patent No.:** **US D987,190 S**

(45) **Date of Patent:** **** May 23, 2023**

(54) **DISPOSABLE TUB LINER**

(71) Applicant: **FOSHAN BOMACY BEAUTY EQUIPMENT COMPANY**, Foshan (CN)

(72) Inventor: **Xiaoyuan Hong**, Yangjiang (CN)

(73) Assignee: **FOSHAN BOMACY BEAUTY EQUIPMENT COMPANY**, Foshan (CN)

(**) Term: **15 Years**

(21) Appl. No.: **29/849,624**

(22) Filed: **Aug. 12, 2022**

(51) **LOC (14) Cl.** **28-03**

(52) **U.S. Cl.**
USPC **D28/62**

(58) **Field of Classification Search**
USPC D23/304, 303; D7/354, 587;
D28/56-62; D24/204, 205, 207
CPC A47K 3/022; A61H 35/006
See application file for complete search history.

(56) **References Cited**

U.S. PATENT DOCUMENTS

| | | | |
|----------------|---------|-----------|------------|
| D133,369 S * | 8/1942 | Chaplin | 220/675 |
| D374,819 S * | 10/1996 | Wells | D9/425 |
| D455,479 S * | 4/2002 | Asack | D23/304 |
| 6,772,800 B1 * | 8/2004 | Garcia | A47K 3/022 |
| | | | 141/2 |
| D583,960 S * | 12/2008 | Tran | D24/204 |
| D608,633 S * | 1/2010 | Elmerhaus | D24/123 |
| D610,697 S * | 2/2010 | Tran | D24/204 |
| D628,704 S * | 12/2010 | Tran | D24/204 |

(Continued)

FOREIGN PATENT DOCUMENTS

GB 6197359 * 3/2022

OTHER PUBLICATIONS

200 PCS Disposable Liners for Pedicure Tub Massage Chair—Thick Premium Quality, review date: Jan. 20, 2019, site visited on Jan. 6, 2023; URL: https://www.amazon.com/Disposable-Liners-Pedicure-Massage-Chair/dp/B077SH5N2V/ref=cm_cr_arp_d_product_top?ie=UTF8 (Year: 2019).*

Primary Examiner — Amy C Wierenga

Assistant Examiner — Andrea Marie McKay

(74) *Attorney, Agent, or Firm* — Daniel M. Cohn; Howard M. Cohn

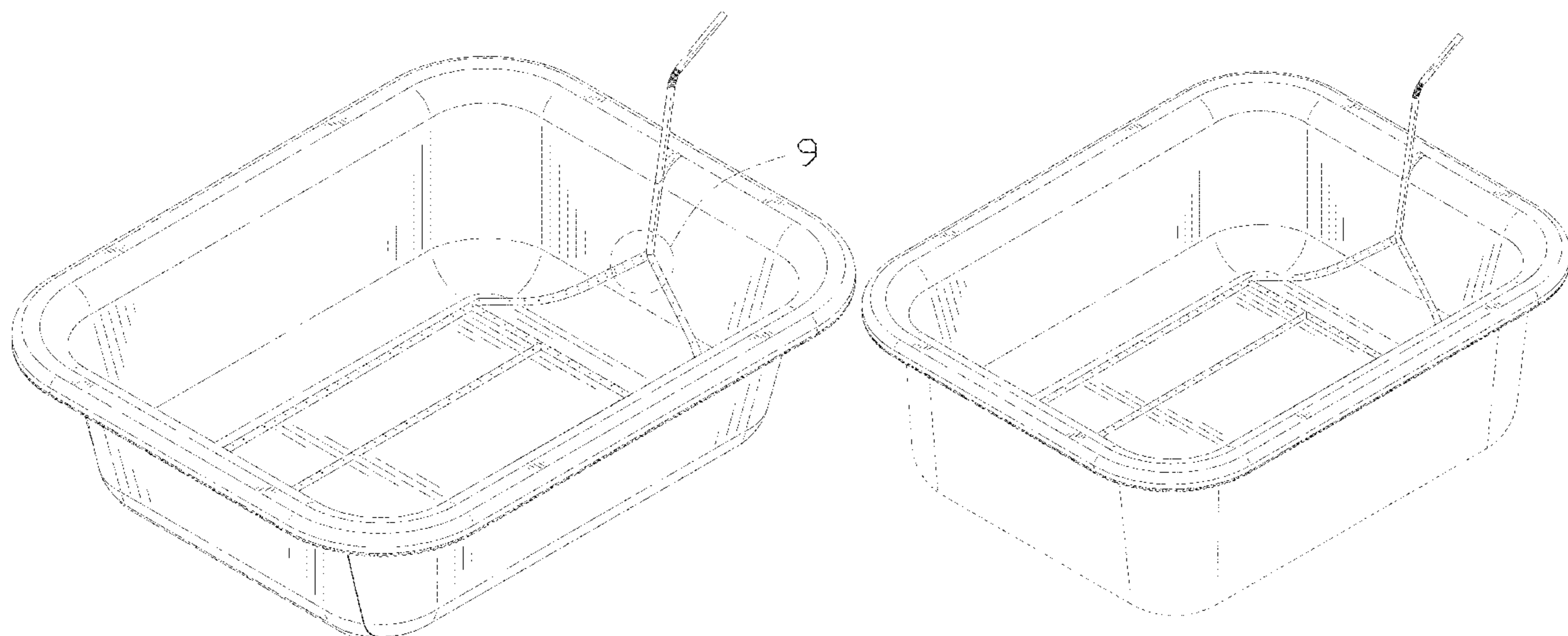
(57) **CLAIM**

The ornamental design for a disposable tub liner, as shown and described.

DESCRIPTION

FIG. 1 is a perspective view of a disposable tub liner showing my new design;
FIG. 2 is another perspective view thereof;
FIG. 3 is a front elevational view thereof;
FIG. 4 is a rear elevational view thereof;
FIG. 5 is a left side elevational view thereof;
FIG. 6 is a right side elevational view thereof;
FIG. 7 is a top plan view thereof;
FIG. 8 is a bottom plan view thereof;
FIG. 9 is an enlarged view of portion 9 shown in FIG. 1;
FIG. 10 is an enlarged view of portion 10 shown in FIG. 2;
FIG. 11 is an enlarged view of portion 11 shown in FIG. 2;
and,
FIG. 12 is a perspective view of the disposable tub liner where the disposable tub liner is in a configuration of use. The dash-dash broken lines in FIG. 12 depict environment and form no part of the claimed design. The dash-dash broken lines in the drawings depict portions of the disposable tub liner that form no part of the claimed design. The dot-dash broken lines represent boundaries of the enlarged portions and form no part of the claimed design.

1 Claim, 12 Drawing Sheets



(56)

References Cited

U.S. PATENT DOCUMENTS

D647,625 S * 10/2011 Le D24/204
 D647,790 S * 11/2011 Lopez D9/429
 D660,444 S * 5/2012 Tran D24/204
 D677,851 S * 3/2013 Harris D34/27
 D709,619 S * 7/2014 Tran D24/204
 D717,455 S * 11/2014 Tran D24/204
 D758,601 S * 6/2016 Galati, Jr. D24/204
 D777,535 S * 1/2017 Zemel D7/629
 D796,653 S 9/2017 Hsu
 D801,104 S * 10/2017 Mirchandani D7/354
 9,888,814 B2 * 2/2018 Malone A47K 1/04
 D815,879 S * 4/2018 Mirchandani D7/354
 D815,880 S * 4/2018 Mirchandani D7/354
 D826,620 S * 8/2018 Mirchandani D7/354
 D826,621 S * 8/2018 Mirchandani D7/354
 D827,792 S 9/2018 Perry
 D828,710 S * 9/2018 Mirchandani D7/354
 D829,487 S * 10/2018 Mirchandani D7/354
 D886,965 S * 6/2020 Smith D7/629
 10,806,303 B1 * 10/2020 Koumsongo A47K 11/105
 D34/27

11,230,477 B2 * 1/2022 Rockwell C02F 1/40
 D9/425
 2003/0155260 A1 * 8/2003 Maihart A61H 35/006
 206/438
 2004/0199994 A1 * 10/2004 Sherif A47K 3/022
 4/622
 2006/0070179 A1 * 4/2006 Siegal A61H 35/006
 4/622
 2007/0056087 A1 * 3/2007 Vinokur A61H 33/60
 4/541.5
 2009/0094735 A1 * 4/2009 Tran A47K 3/10
 607/86
 2009/0094739 A1 * 4/2009 Vinokur A61H 33/025
 4/655
 2009/0271922 A1 * 11/2009 Ton A61H 35/006
 4/655
 2014/0250583 A1 * 9/2014 Sergi A61H 35/006
 4/580
 2016/0213563 A1 * 7/2016 Ta A45D 29/00
 2020/0141100 A1 * 5/2020 Ta E03C 1/14
 D7/354
 2022/0409918 A1 * 12/2022 Efremkin A61F 7/0085

* cited by examiner

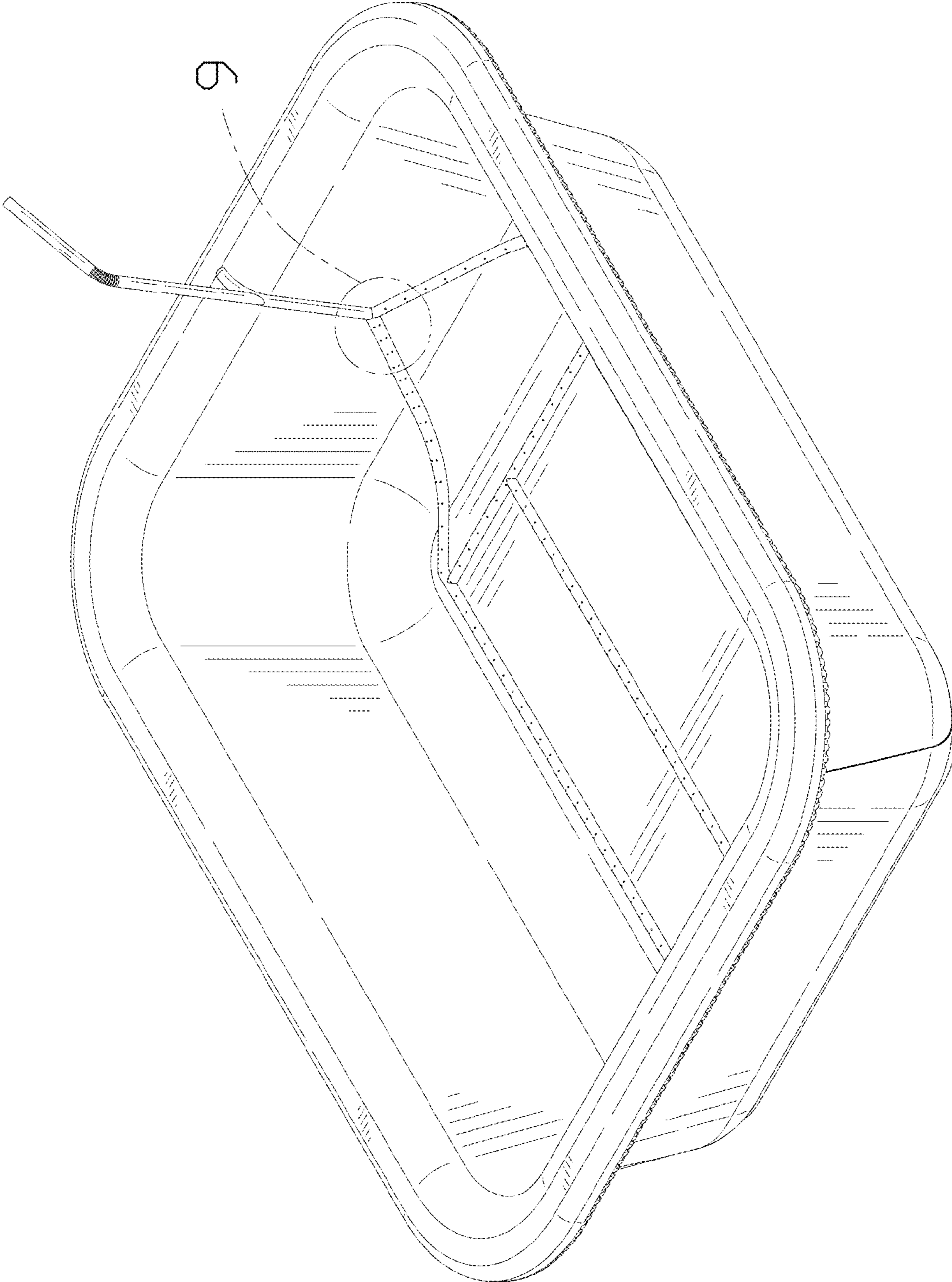


FIG. 1

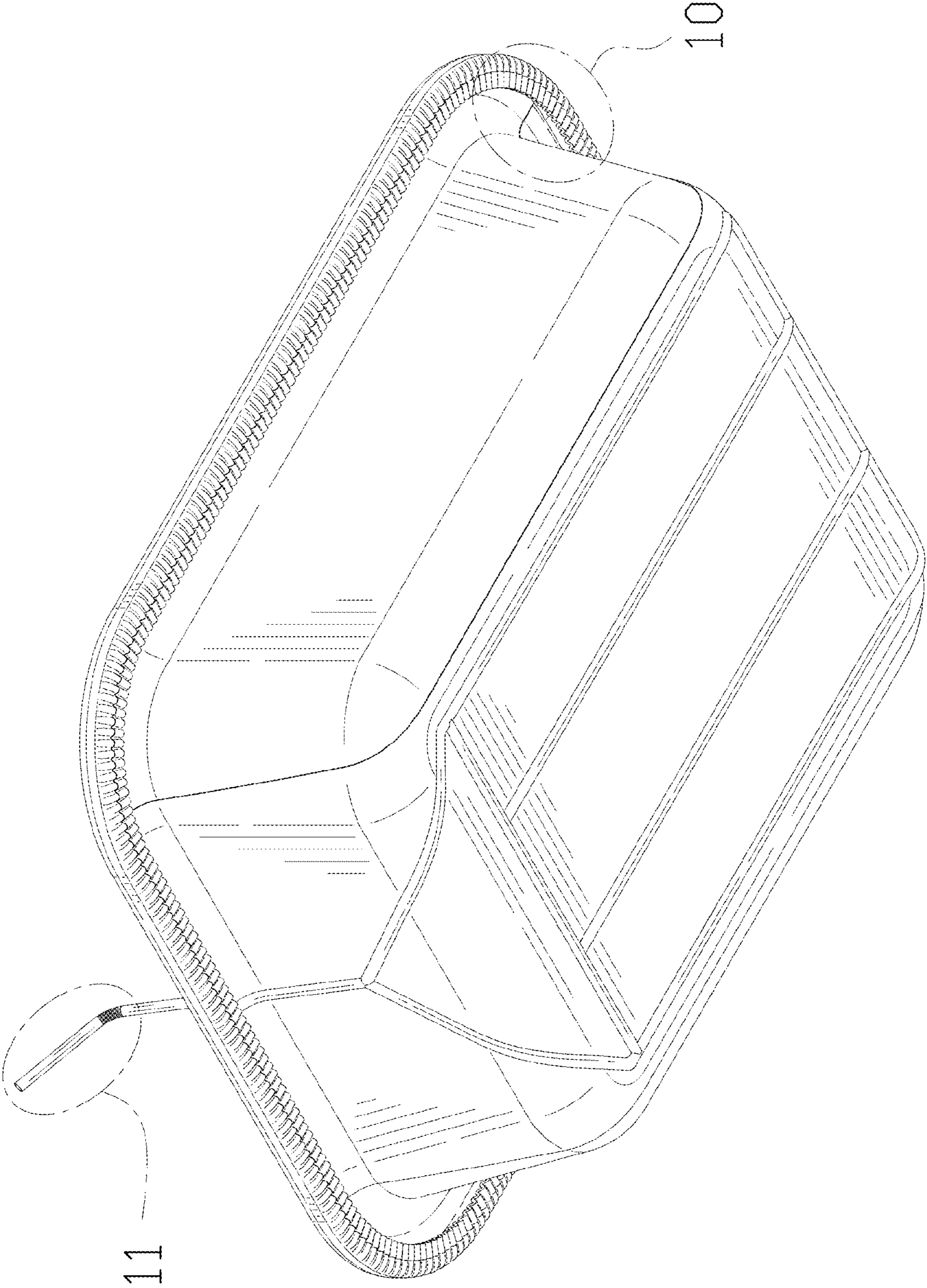


FIG. 2

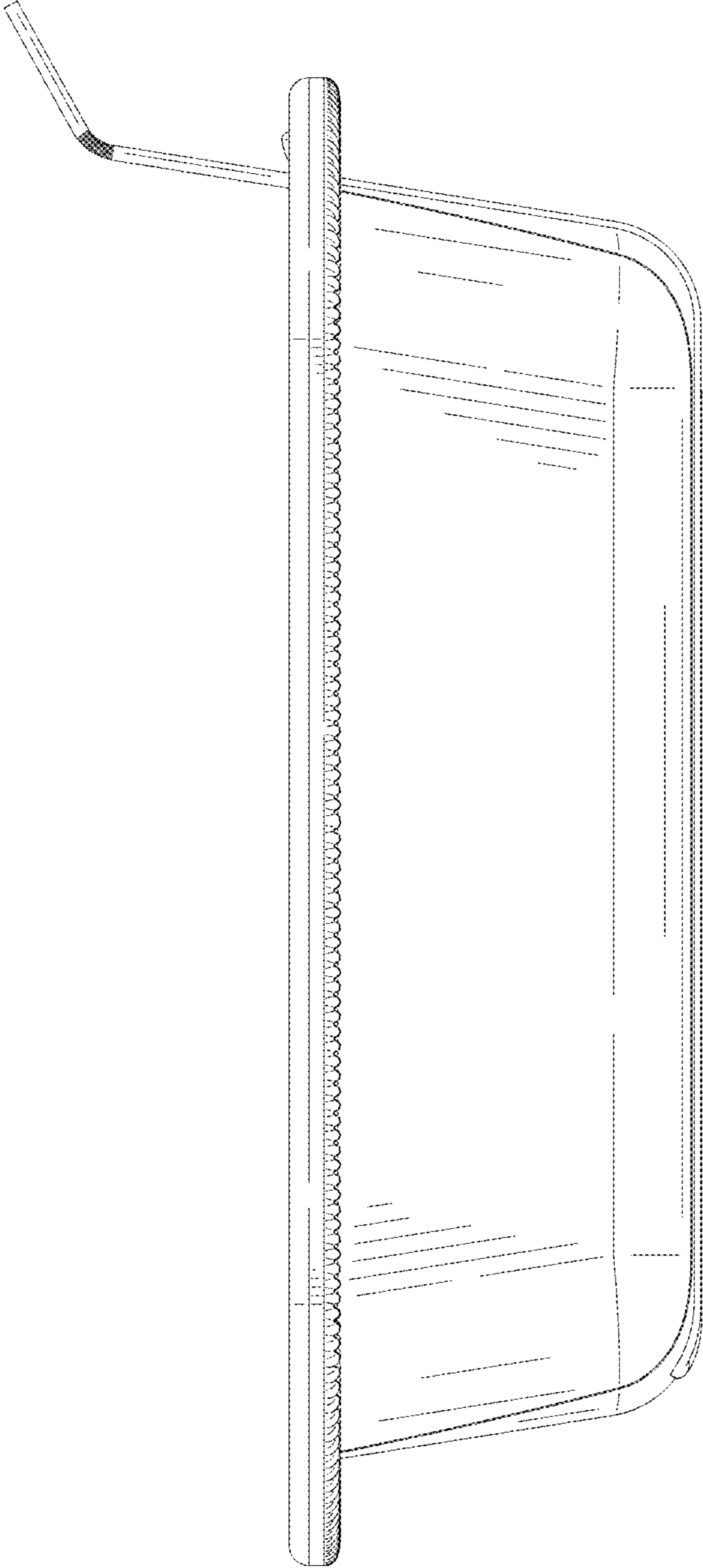


FIG. 3

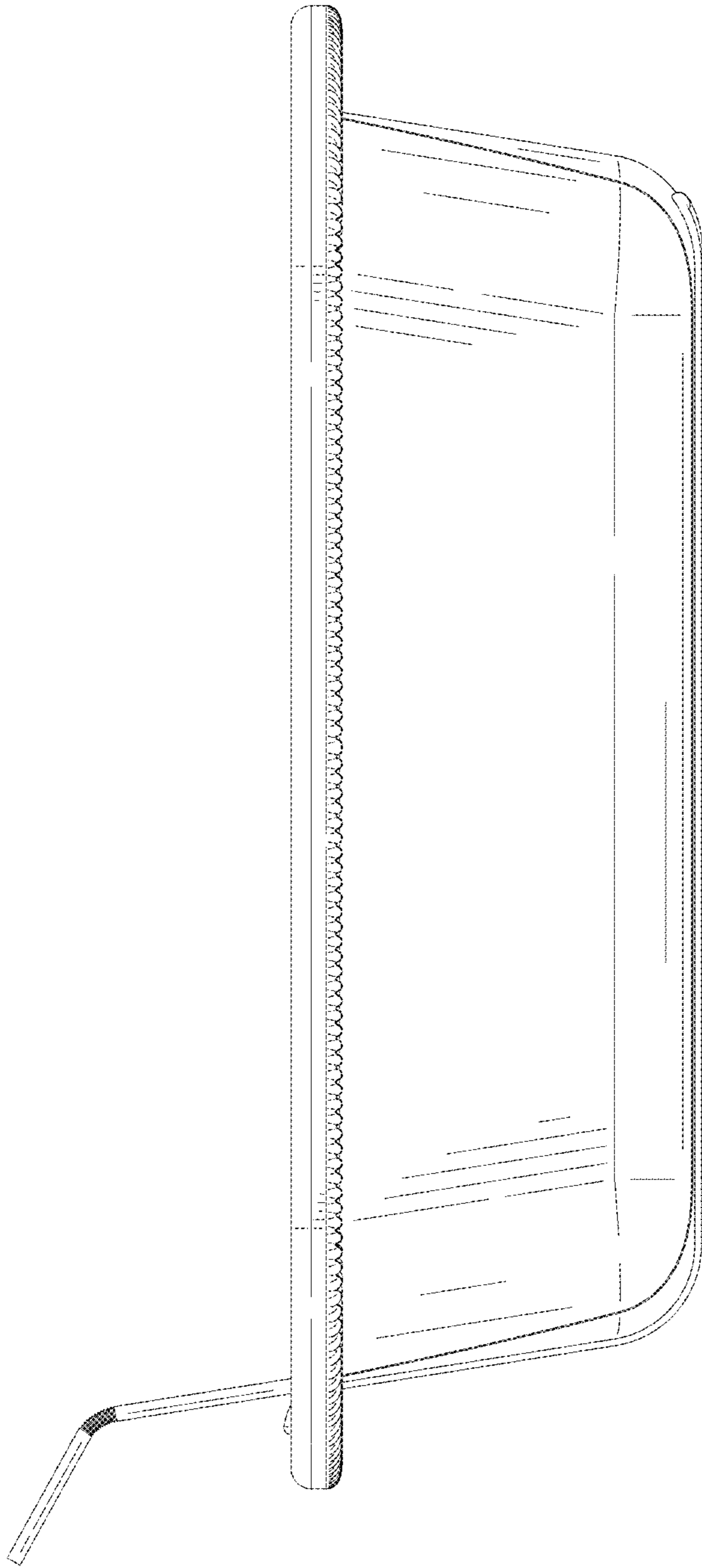


FIG. 4

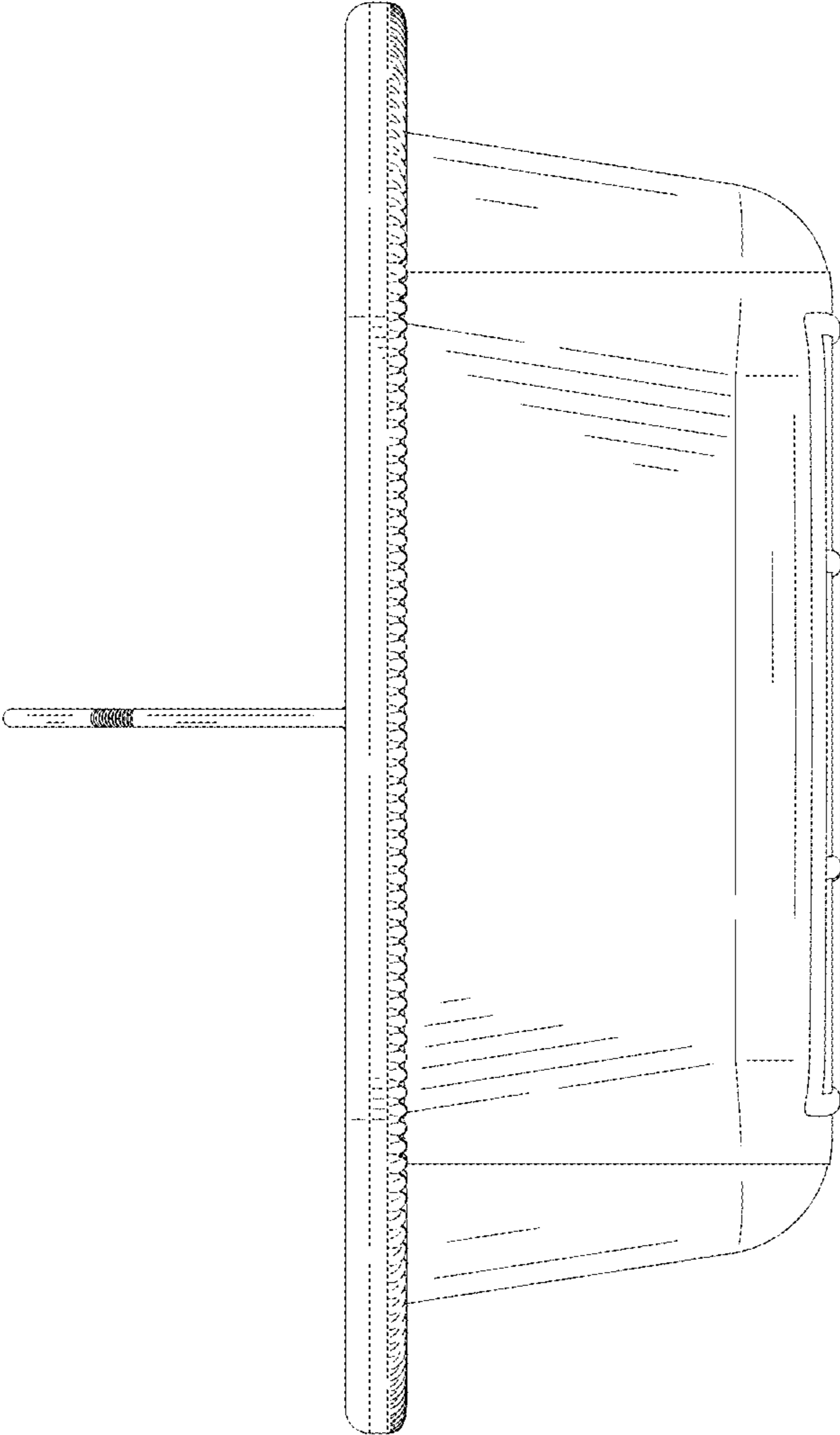


FIG. 5

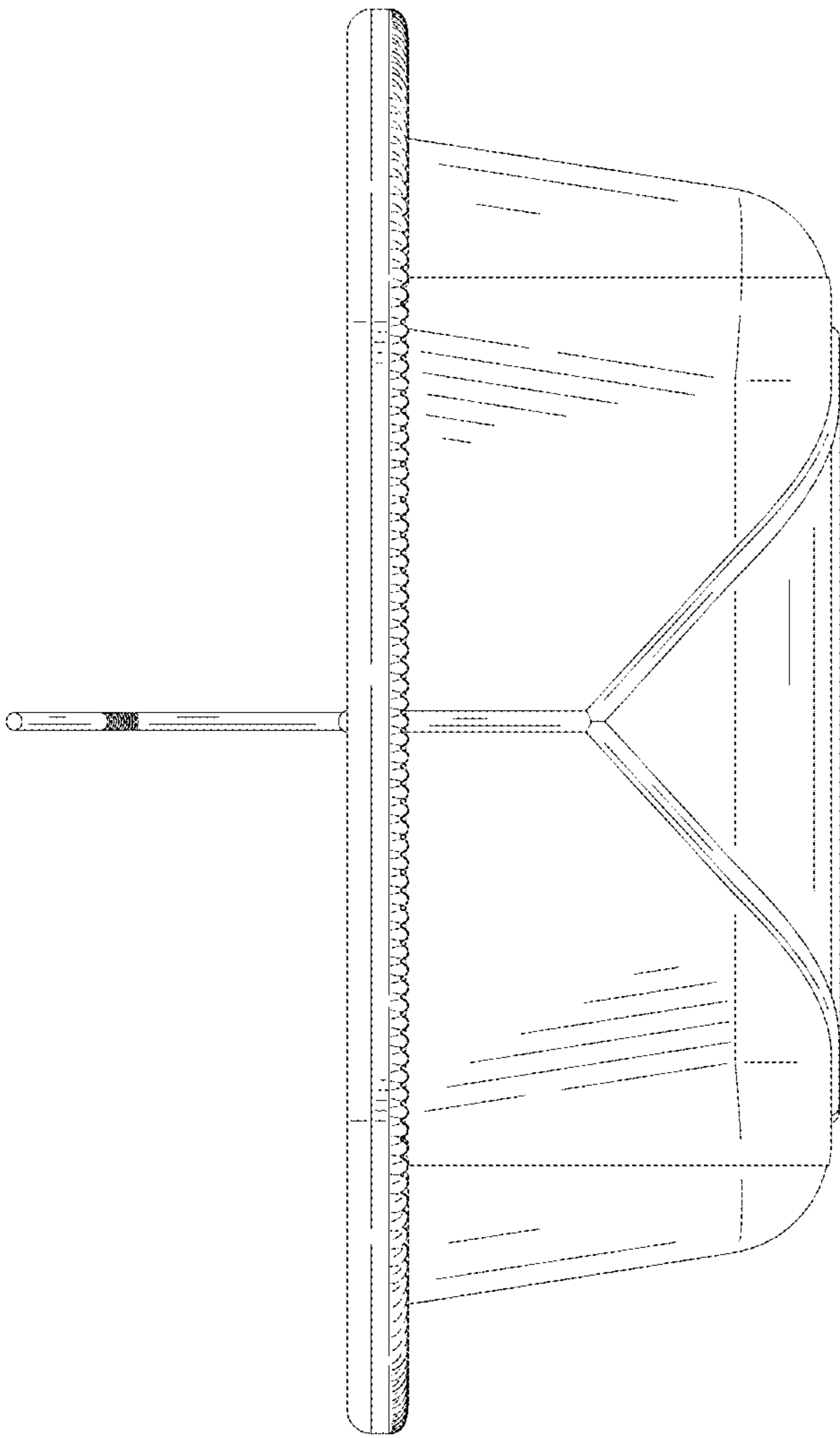


FIG. 6

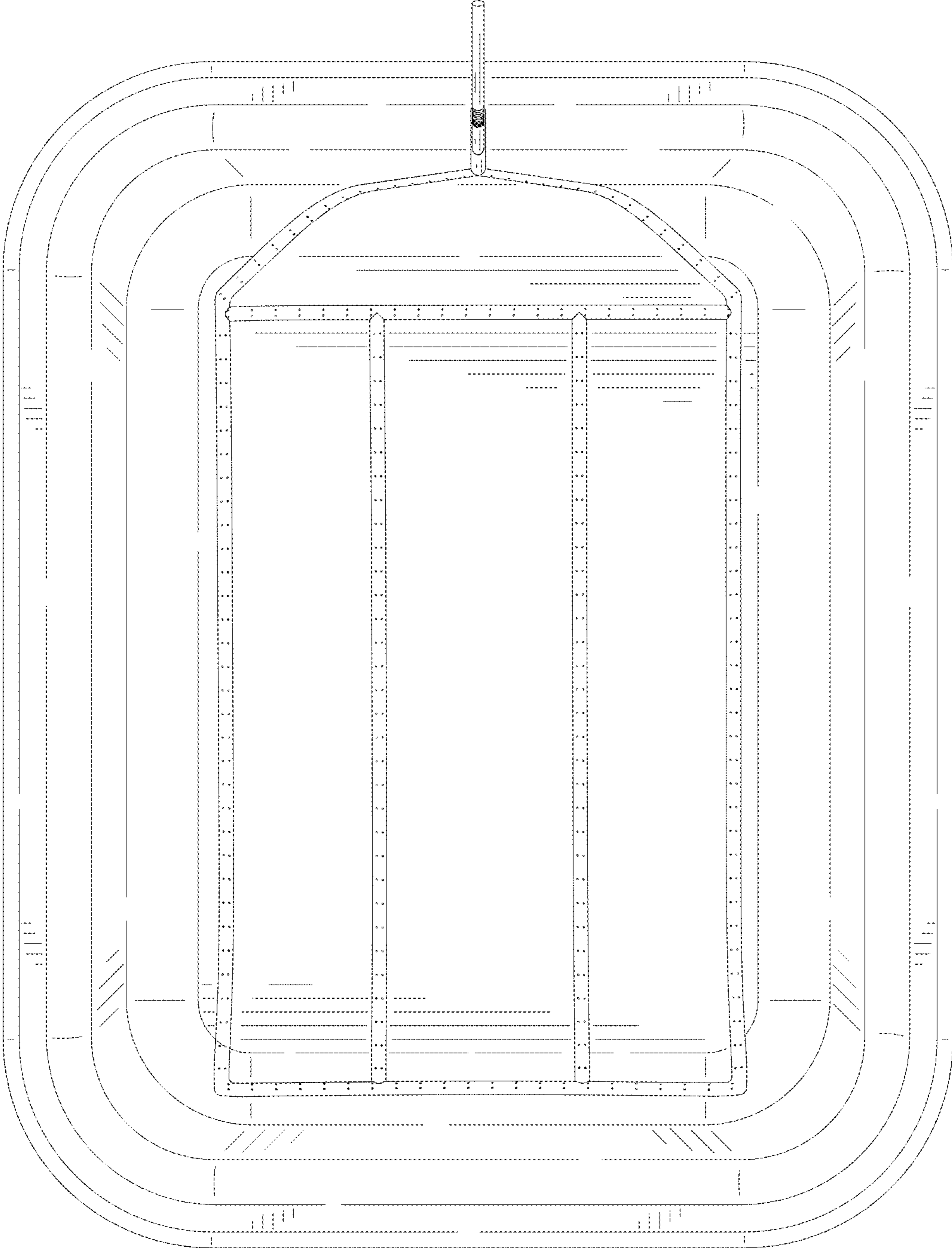


FIG. 7

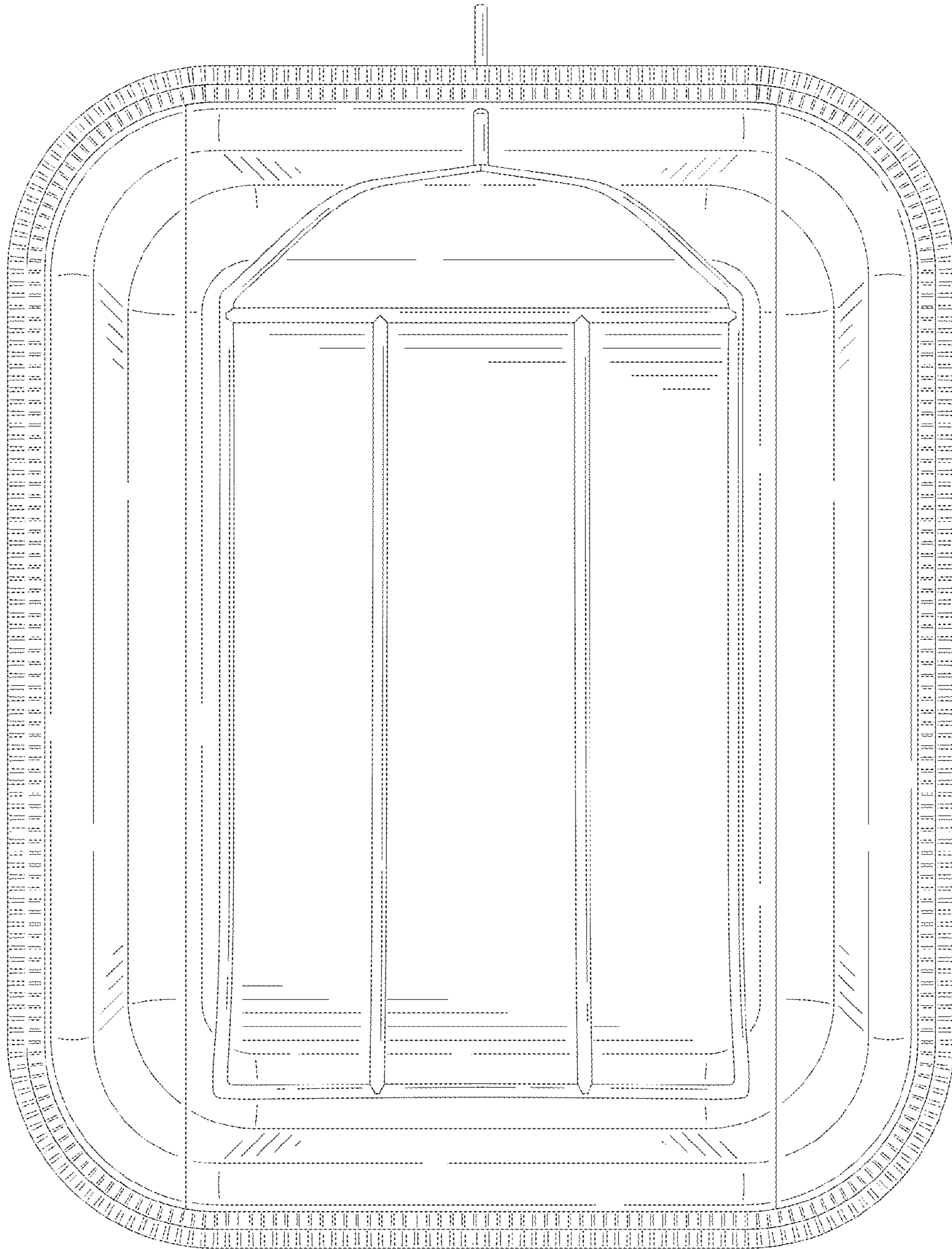


FIG. 8

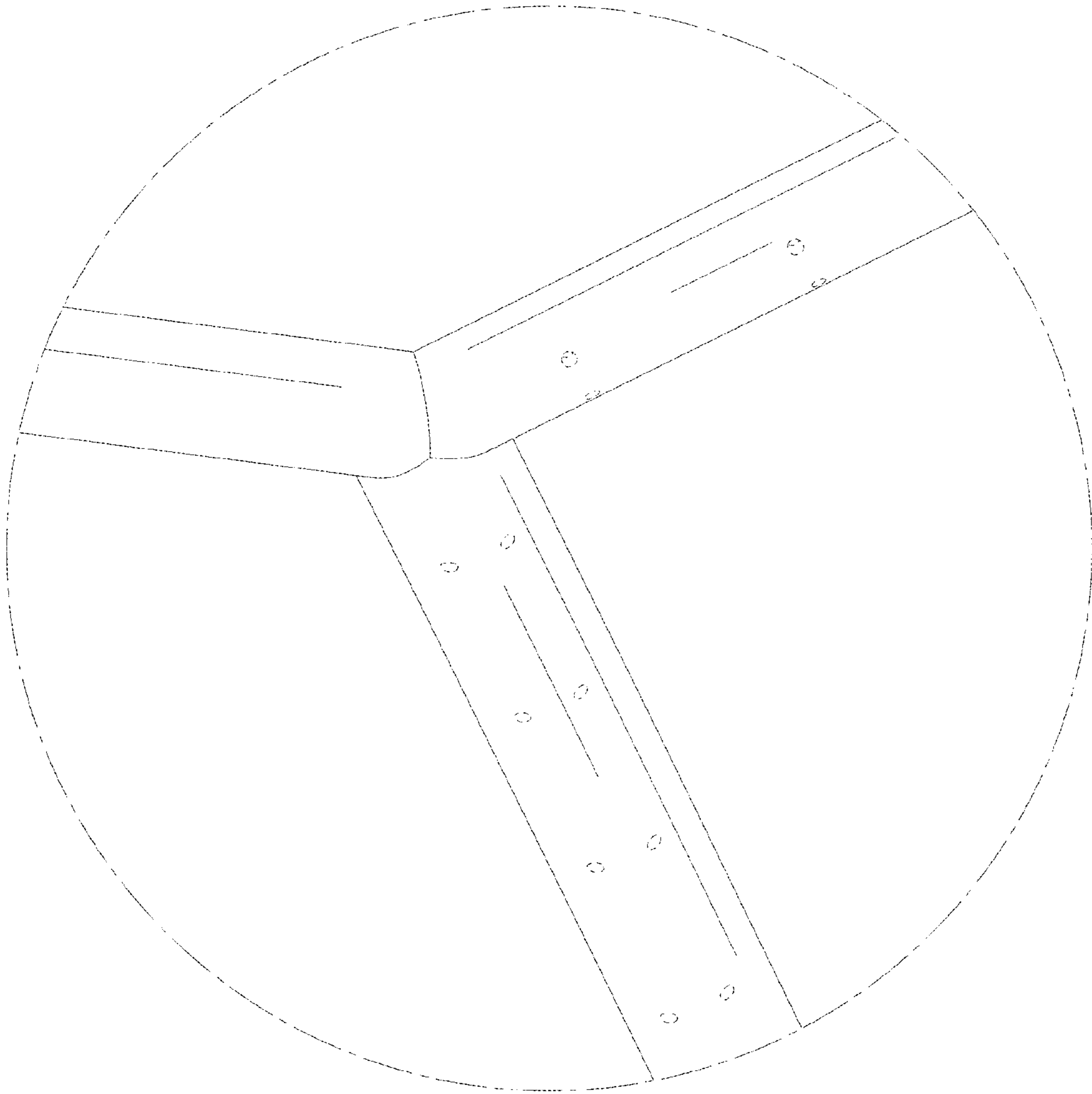


FIG. 9

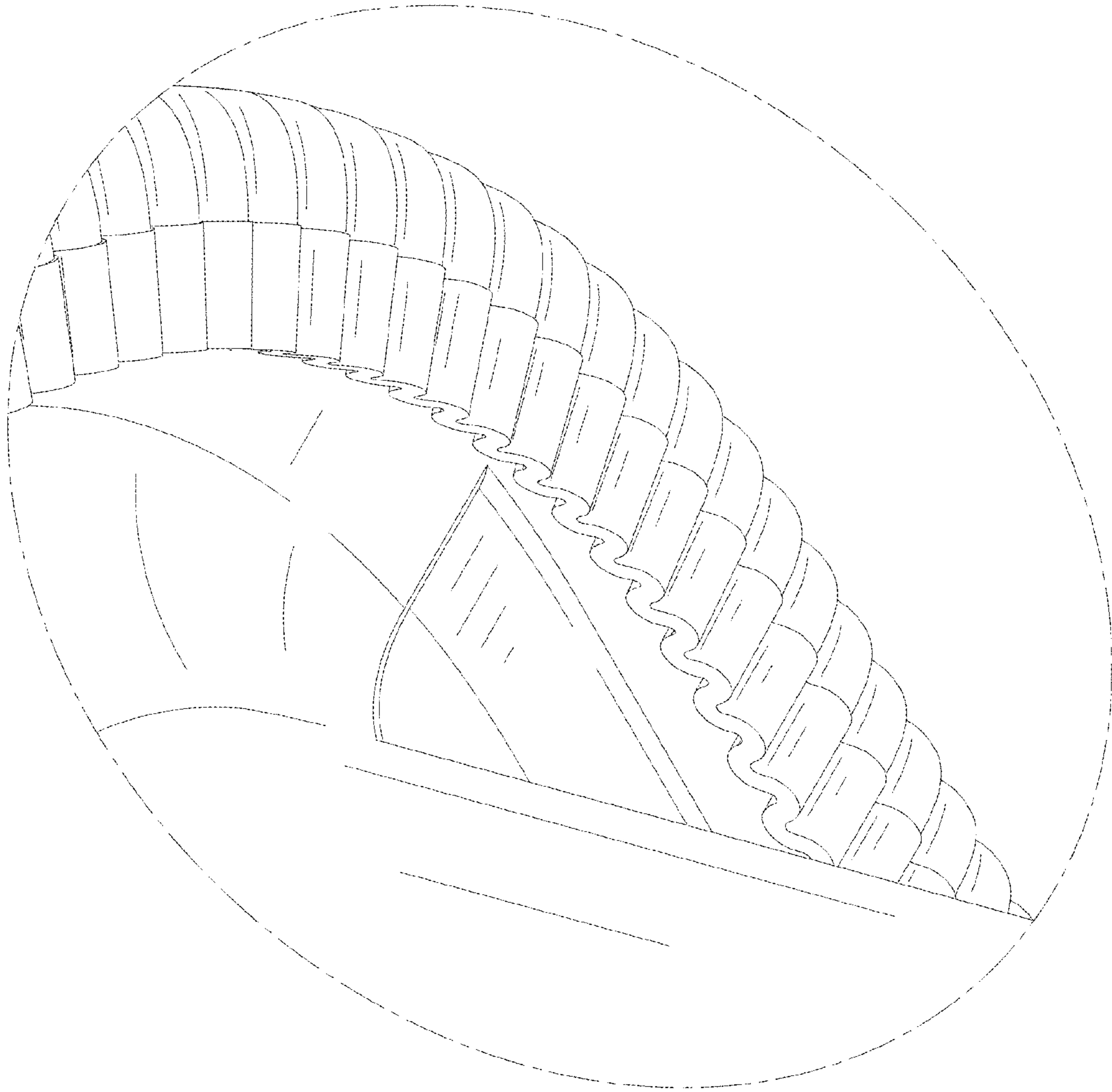


FIG. 10

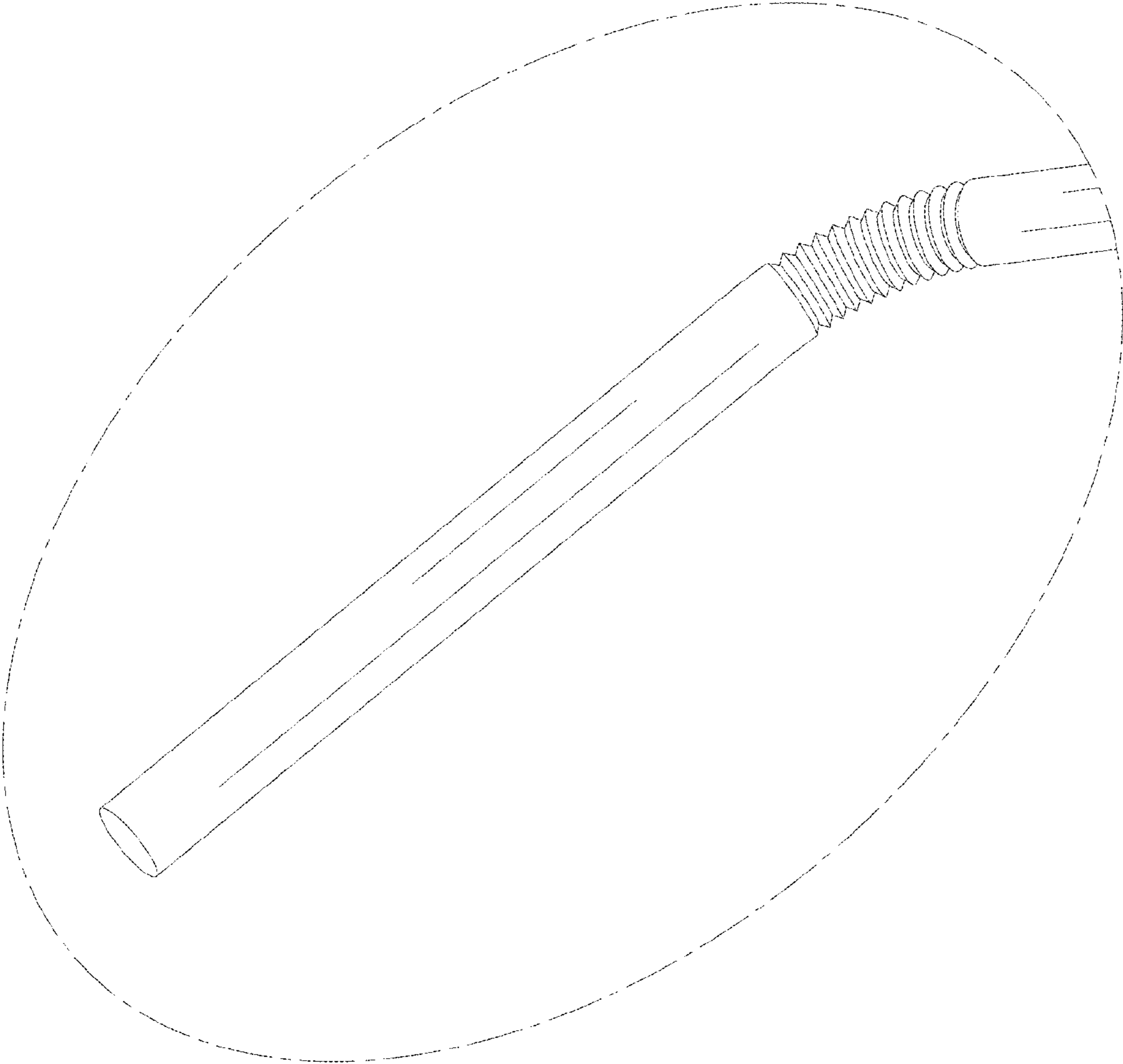


FIG. 11

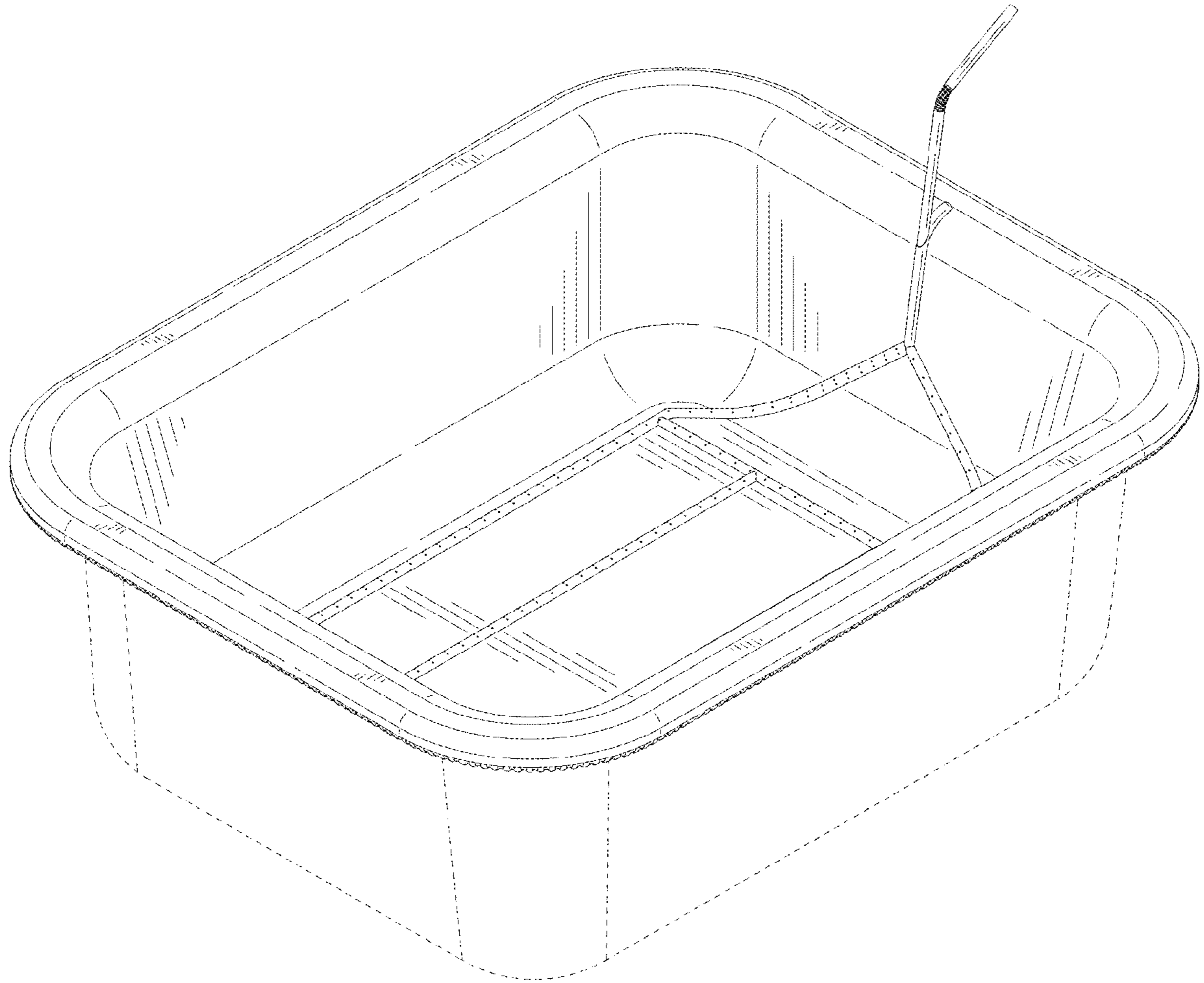


FIG. 12