



US00D987188S

(12) **United States Design Patent** (10) **Patent No.:** **US D987,188 S**
Wang (45) **Date of Patent:** **** May 23, 2023**

(54) **STILETTO NAIL FORM**
(71) Applicant: **SHENZHEN YICHEN TECHNOLOGY CO., LTD.**, Shenzhen (CN)
(72) Inventor: **Yu Wang**, Shenzhen (CN)
(73) Assignee: **SHENZHEN YICHEN TECHNOLOGY CO., LTD.**, Shenzhen (CN)
(**) Term: **15 Years**

2005/0217686 A1* 10/2005 Lee A45D 31/00 132/200
2005/0268931 A1* 12/2005 Chang A45D 31/00 132/73
2007/0051384 A1* 3/2007 Fracassi A45D 31/00 132/73
2007/0107745 A1* 5/2007 Kiyomoto A45D 31/00 132/73
2007/0277841 A1* 12/2007 Kim A45D 31/00 132/73
2008/0283073 A1* 11/2008 Park A45D 29/004 132/73
2008/0283076 A1* 11/2008 Fracassi A45D 31/00 132/73

(Continued)

(21) Appl. No.: **29/775,328**
(22) Filed: **Mar. 23, 2021**
(51) **LOC (14) Cl.** **28-03**
(52) **U.S. Cl.**
USPC **D28/56**
(58) **Field of Classification Search**
USPC D28/59, 56, 58
CPC ... A45D 29/00; A45D 31/00; A45D 2031/005
See application file for complete search history.

OTHER PUBLICATIONS

Nail Dual Forms by Lionvision, www.amazon.com, 1 page, reviewed as early Mar. 24, 2022 (Year: 2022).*

Primary Examiner — Jennifer Rivard
(74) *Attorney, Agent, or Firm* — Jeenam Park

(57) **CLAIM**

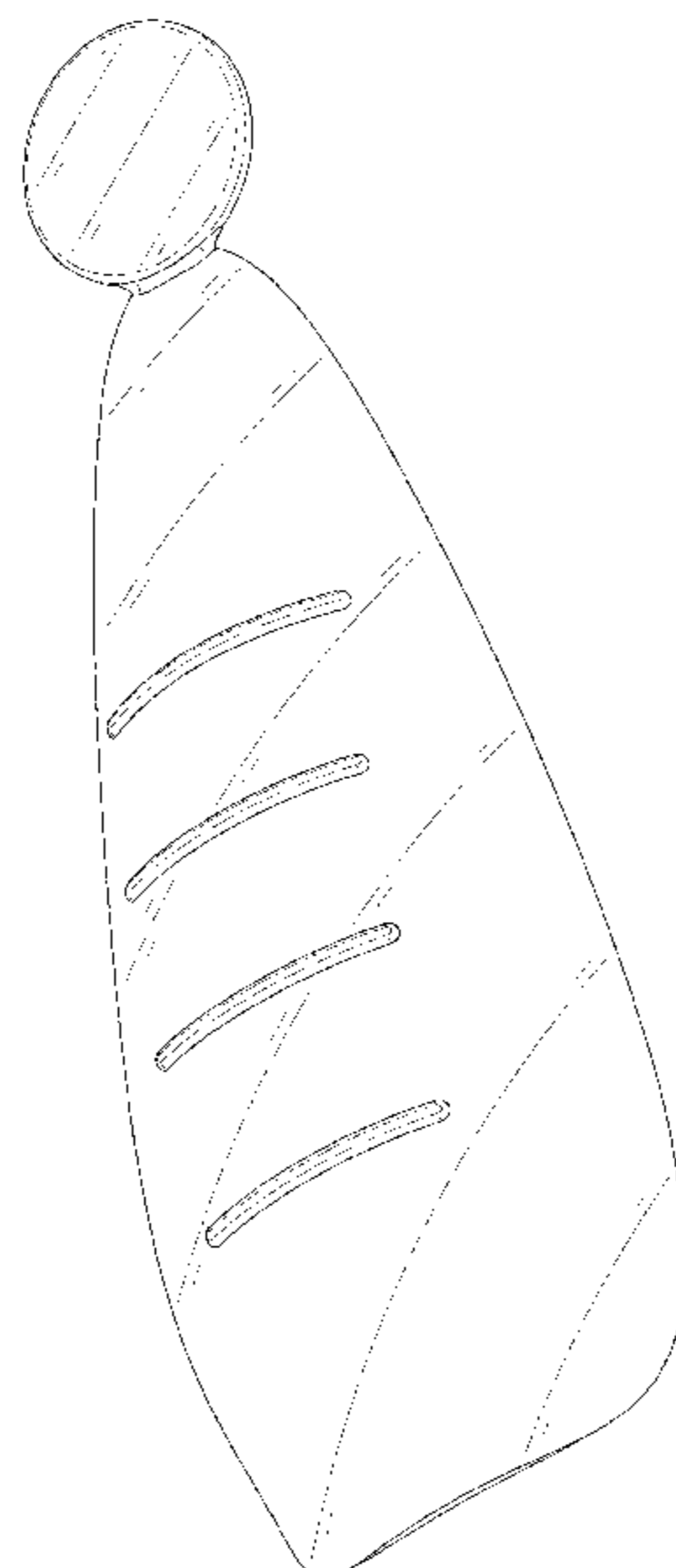
The ornamental design for a stiletto nail form, as shown and described.

DESCRIPTION

FIG. 1 is a perspective view of a stiletto nail form showing my new design;
FIG. 2 is another perspective view thereof;
FIG. 3 is a front elevational view thereof;
FIG. 4 is a rear elevational view thereof;
FIG. 5 is a left side elevational view thereof;
FIG. 6 is a right side elevational view thereof;
FIG. 7 is a top plan view thereof; and,
FIG. 8 is a bottom plan view thereof.
The broken lines in the drawings depict portions of the stiletto nail form that form no part of the claimed design.

(56) **References Cited**
U.S. PATENT DOCUMENTS
3,993,084 A * 11/1976 Cullen A45D 29/001 132/73
D455,866 S * 4/2002 Baltierra D28/56
D525,747 S * 7/2006 Robinson D28/56
7,100,619 B2 * 9/2006 Kim A45D 31/00 132/73
8,132,568 B2 * 3/2012 Fracassi A45D 31/00 132/73
D895,899 S * 9/2020 Fu D28/57
D905,347 S * 12/2020 Nguyen D28/56
D925,125 S * 7/2021 French-Artis D28/56
D979,141 S * 2/2023 Ma D28/56
2004/0173232 A1 * 9/2004 Chang A45D 31/00 132/73

1 Claim, 8 Drawing Sheets



(56)

References Cited

U.S. PATENT DOCUMENTS

2008/0289646 A1* 11/2008 Fracassi A45D 31/00
132/73
2011/0030711 A1* 2/2011 Han B29C 45/27
132/73
2015/0096579 A1* 4/2015 Coppola A45D 31/00
132/73
2019/0200723 A1* 7/2019 Atlas G06F 3/0488

* cited by examiner

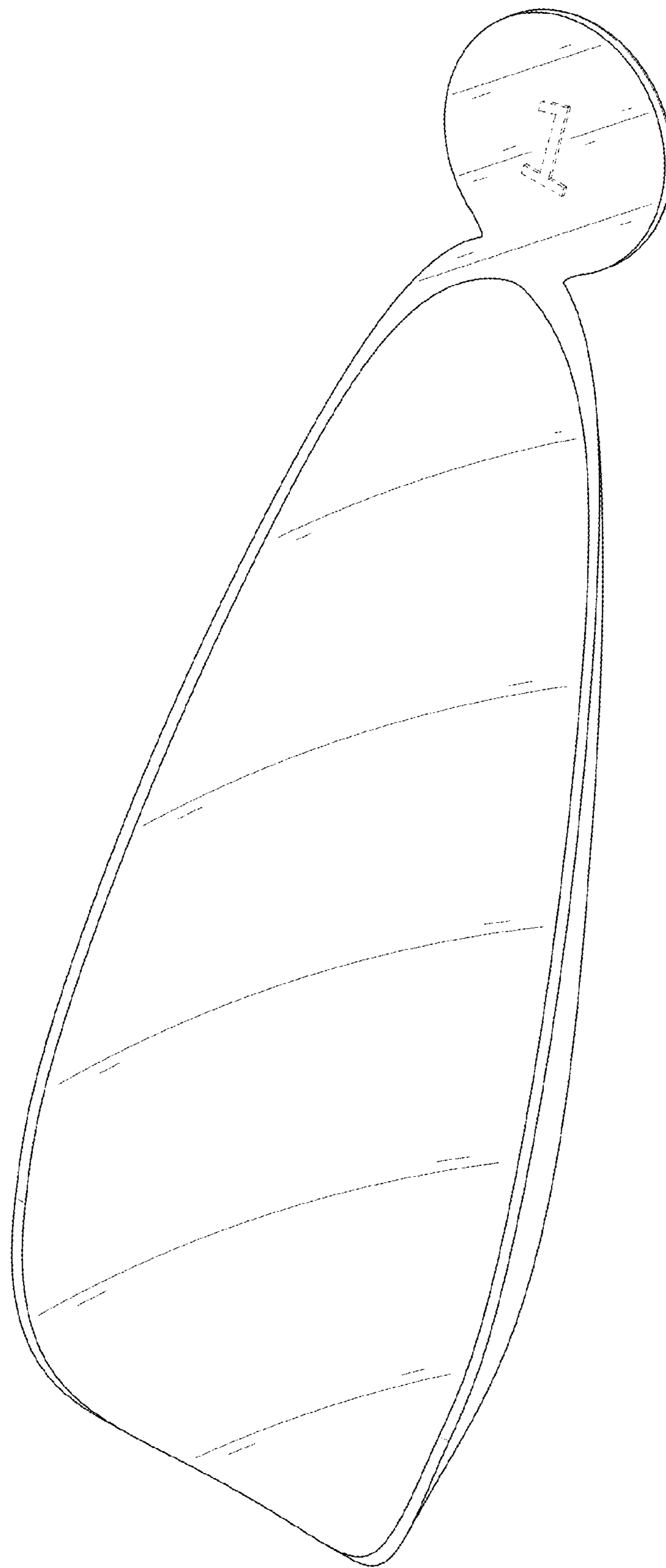


FIG. 1

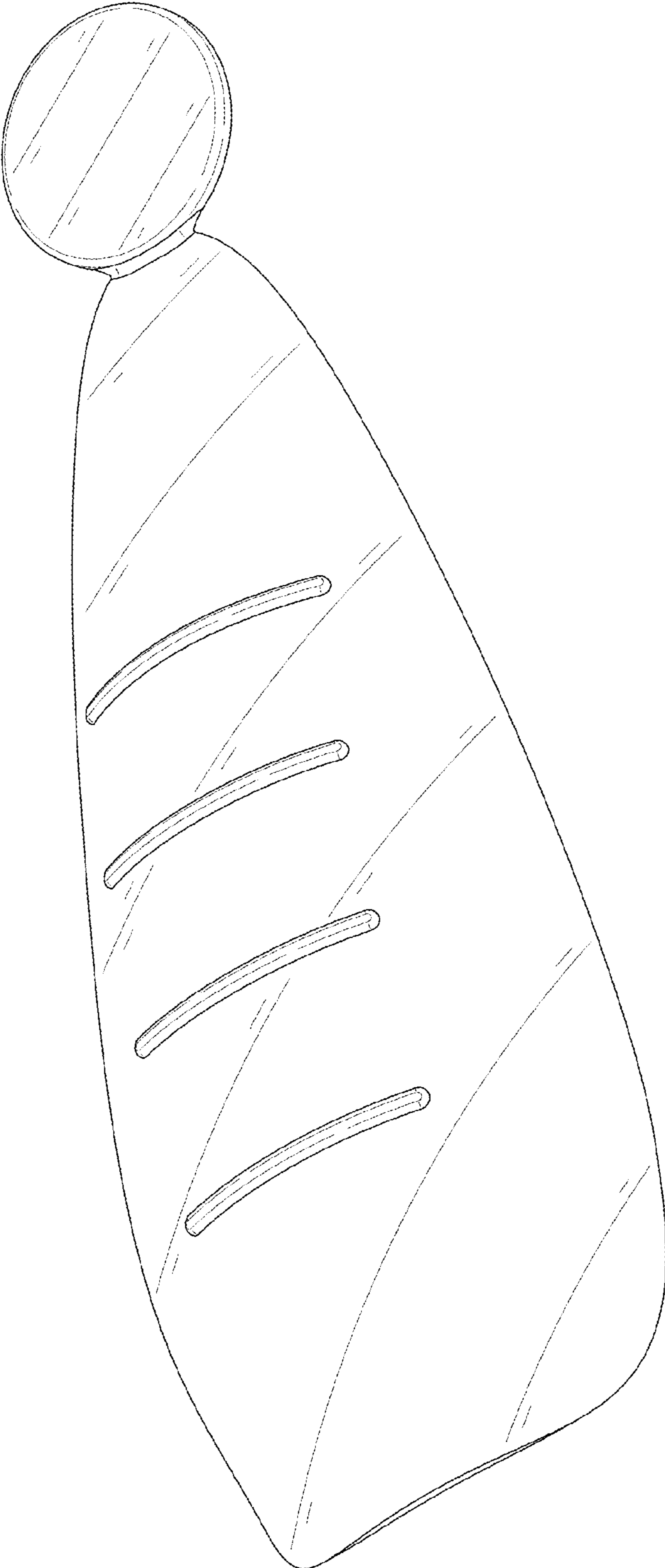


FIG. 2

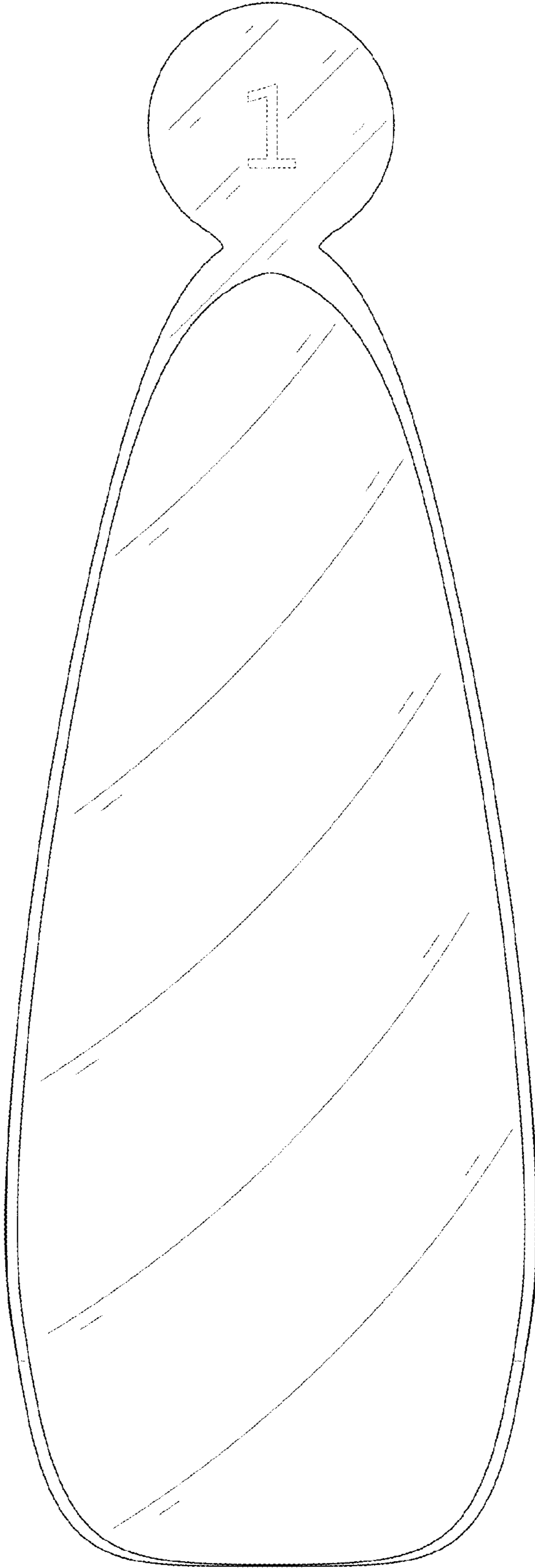


FIG. 3

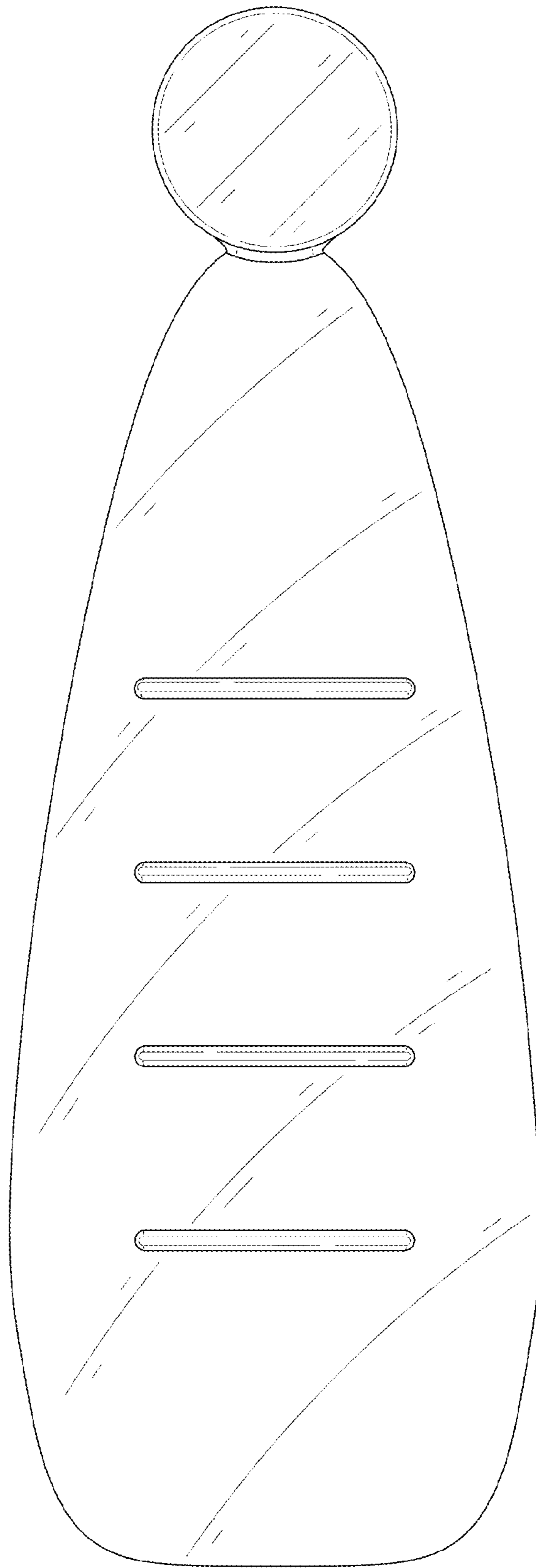


FIG. 4

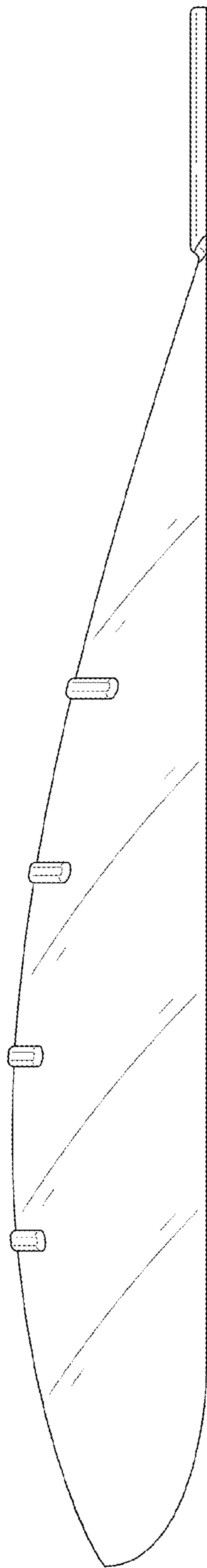


FIG. 5

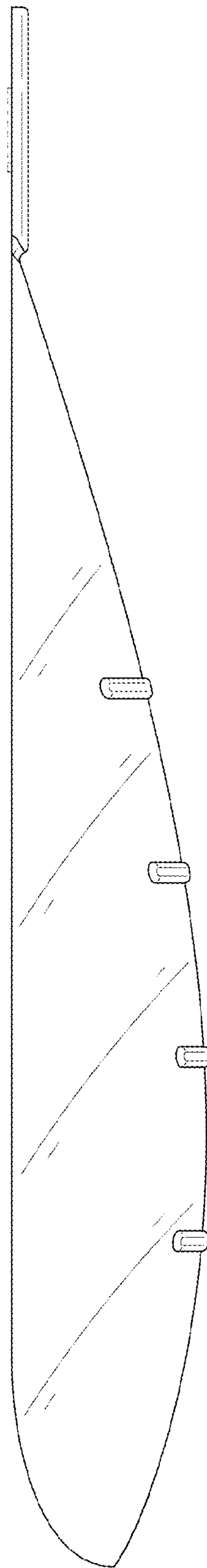


FIG. 6

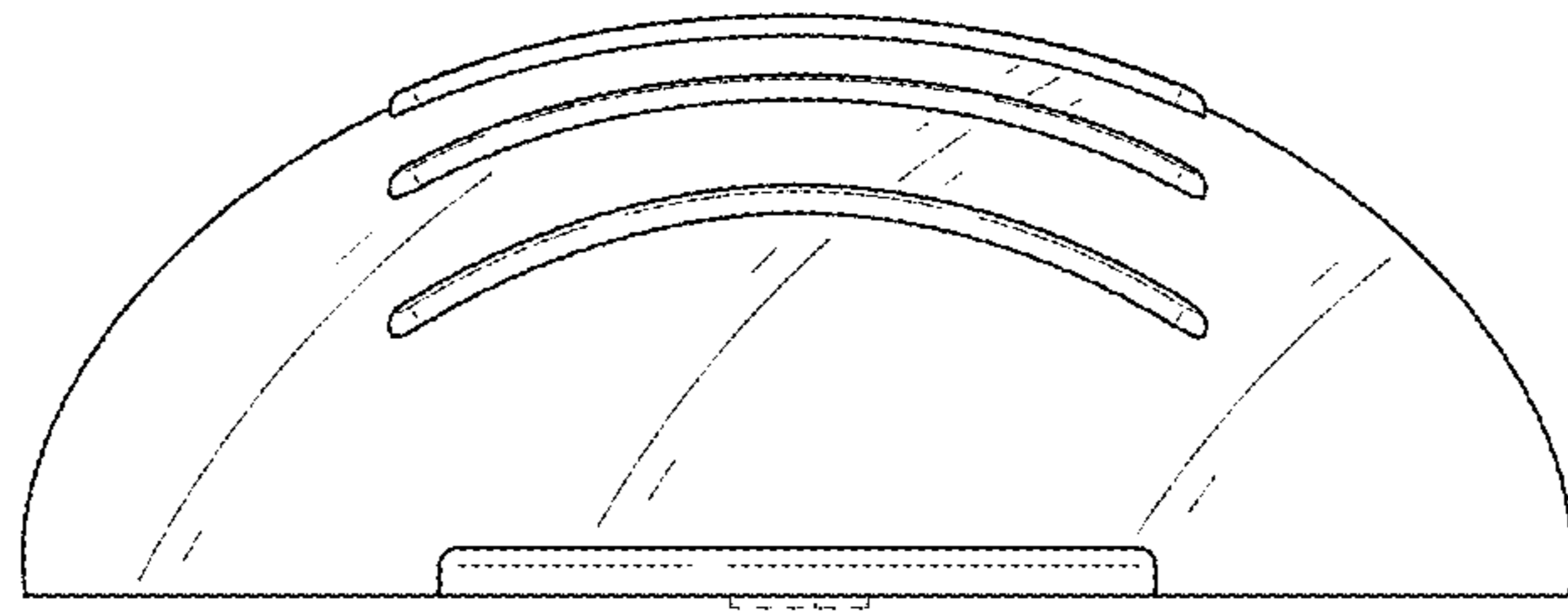


FIG. 7

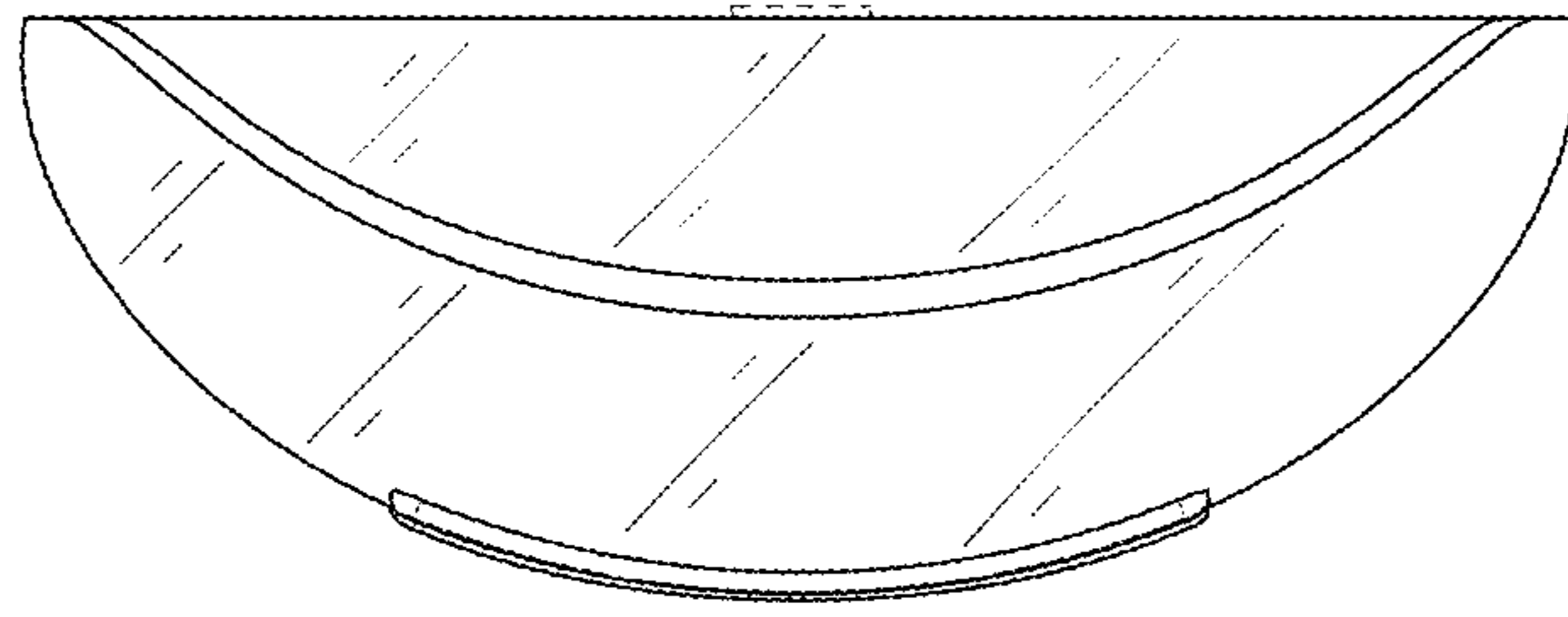


FIG. 8