



US00D987186S

(12) **United States Design Patent** (10) **Patent No.:** **US D987,186 S**
Liu (45) **Date of Patent:** **** May 23, 2023**

(54) **HAIR CLIPPER**

(71) Applicant: **Shenzhen Hongrui Xinda Technology Co., Ltd.**, Shenzhen (CN)

(72) Inventor: **Guijiao Liu**, Shenzhen (CN)

(**) Term: **15 Years**

(21) Appl. No.: **29/835,785**

(22) Filed: **Apr. 21, 2022**

(51) **LOC (14) Cl.** **28-03**

(52) **U.S. Cl.**
USPC **D28/53**

(58) **Field of Classification Search**
USPC D28/53-54
CPC B26B 19/06-08; B26B 19/3853-3866;
B26B 19/20-205

See application file for complete search history.

(56) **References Cited**

U.S. PATENT DOCUMENTS

D310,734 S * 9/1990 Gallanis D28/53
D364,483 S 11/1995 Elston
D534,689 S 1/2007 Gross et al.
8,484,853 B1 * 7/2013 Laube B26B 19/44
30/216
D864,483 S * 10/2019 Chen D28/53
D895,209 S 9/2020 Lambrecht
D923,249 S 6/2021 Jiang
D923,250 S 6/2021 Jiang

D931,537 S 9/2021 Werner
D950,851 S * 5/2022 Cai D28/53
D971,502 S * 11/2022 Huang D28/53
D976,491 S * 1/2023 Wei D28/53

FOREIGN PATENT DOCUMENTS

CN 114918981 A * 8/2022

OTHER PUBLICATIONS

Surker Beard Trimmer for Men, www.amazon.com, 1 page, first available Jun. 2020 (Year: 2020).*

* cited by examiner

Primary Examiner — Jennifer Rivard

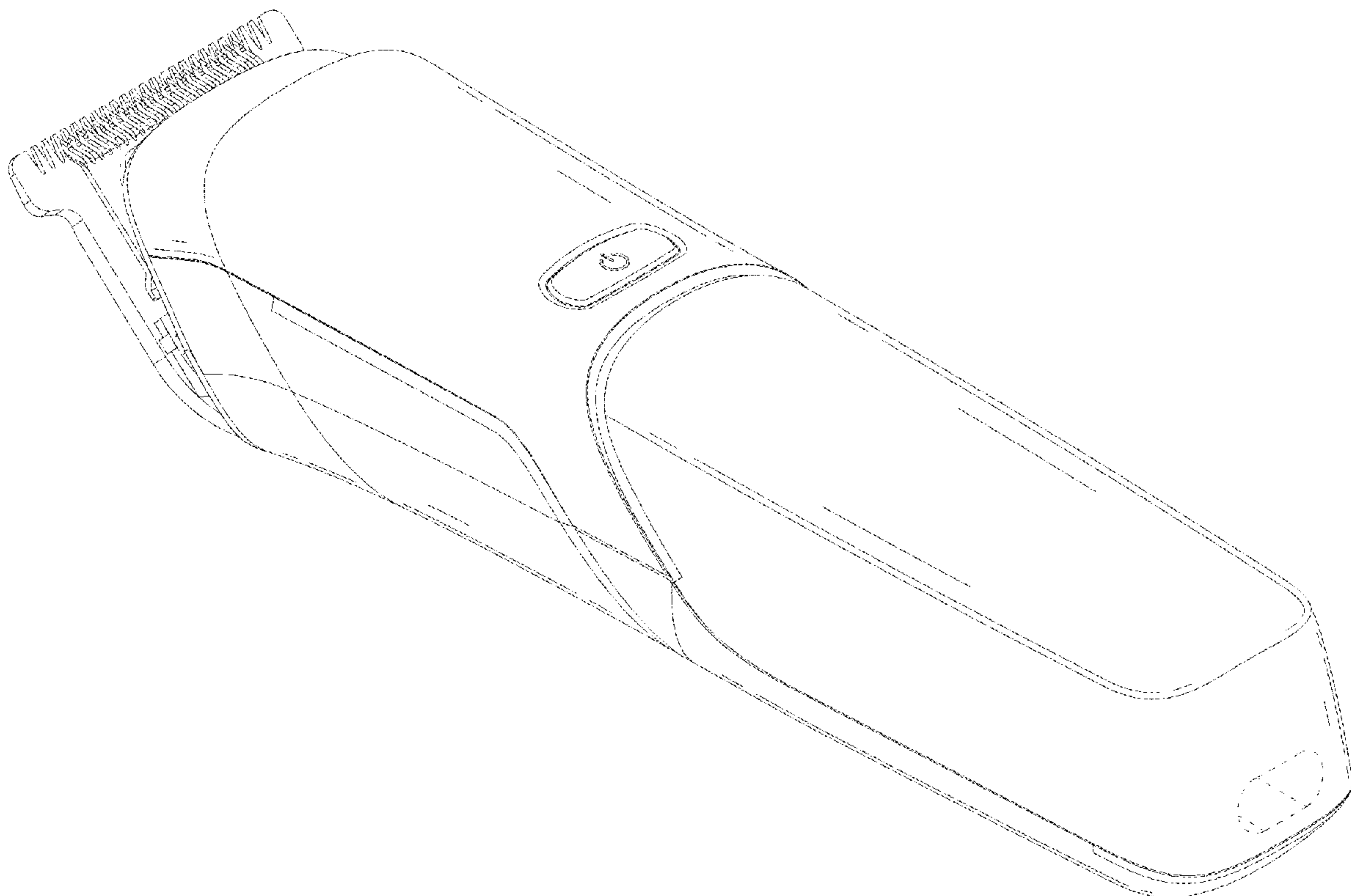
(57) **CLAIM**

The ornamental design for a hair clipper, as shown and described.

DESCRIPTION

FIG. 1 is a perspective view of a hair clipper, showing my new design;
FIG. 2 is another perspective view thereof;
FIG. 3 is a front elevational view thereof;
FIG. 4 is a rear elevational view thereof;
FIG. 5 is a left elevational view thereof;
FIG. 6 is a right elevational view thereof;
FIG. 7 is a top plan view thereof; and,
FIG. 8 is a bottom plan view thereof.
The broken lines illustrate portions of the hair clipper and form no part of the claimed design.

1 Claim, 8 Drawing Sheets



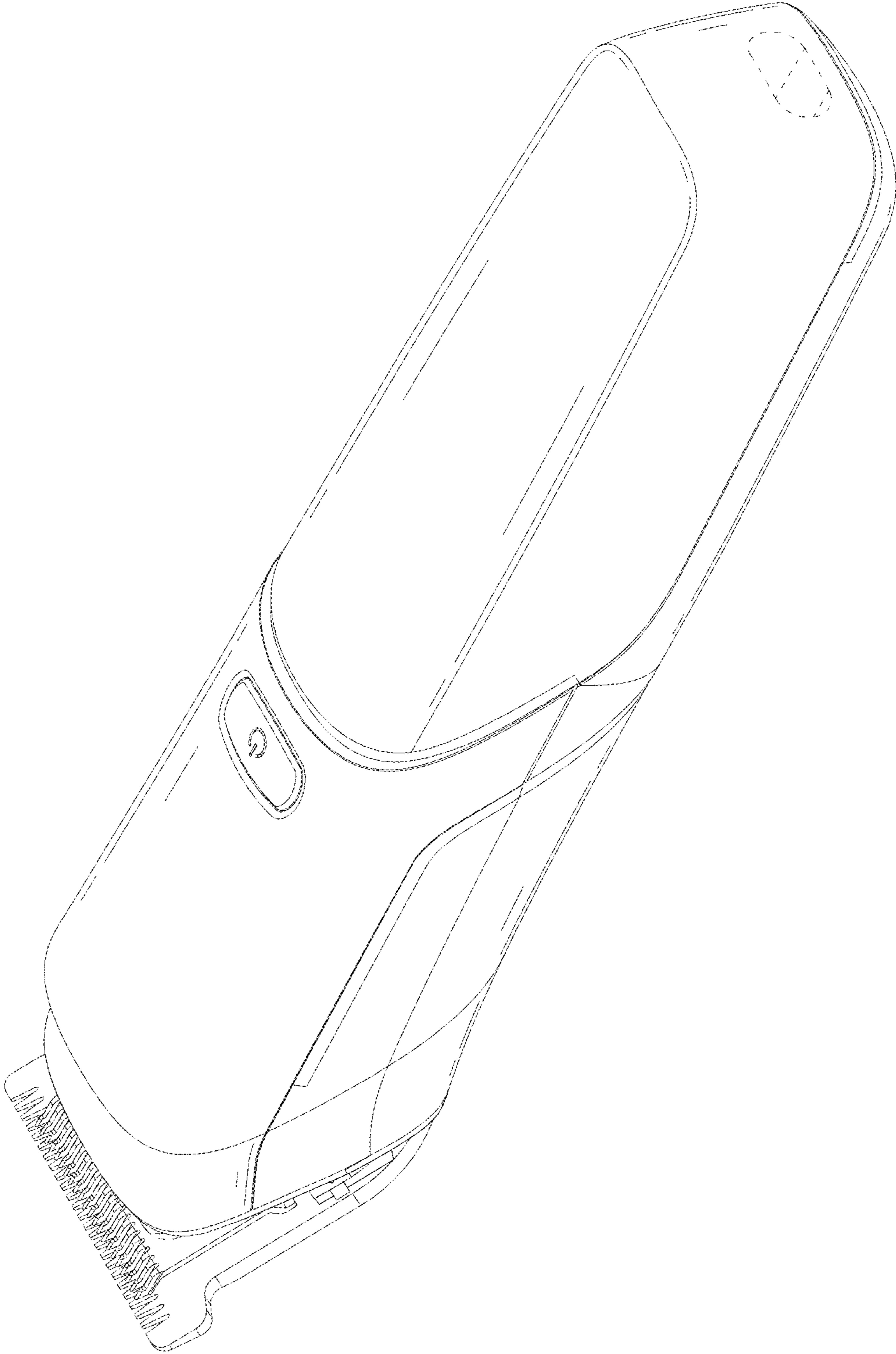


FIG. 1

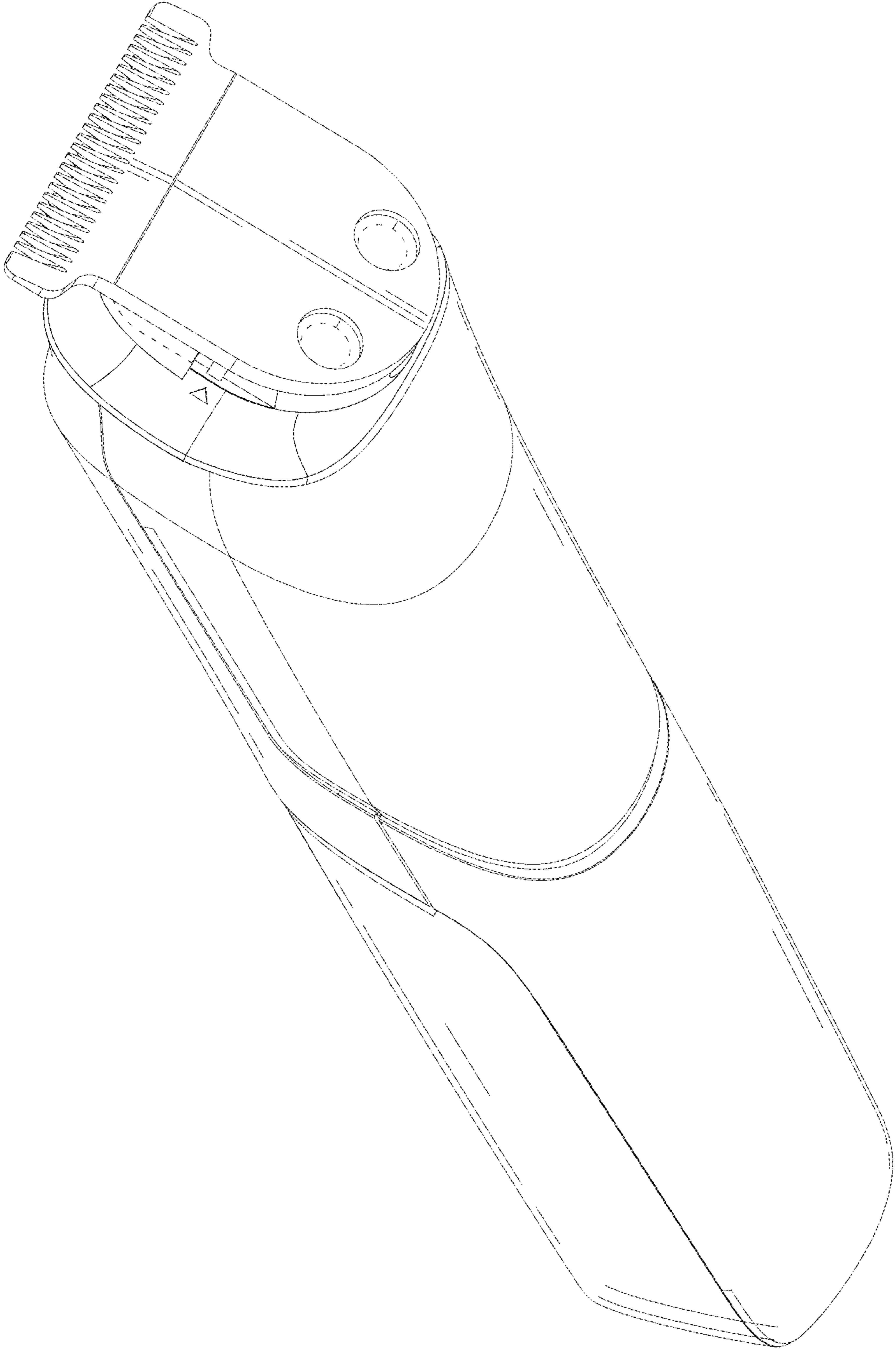


FIG.2

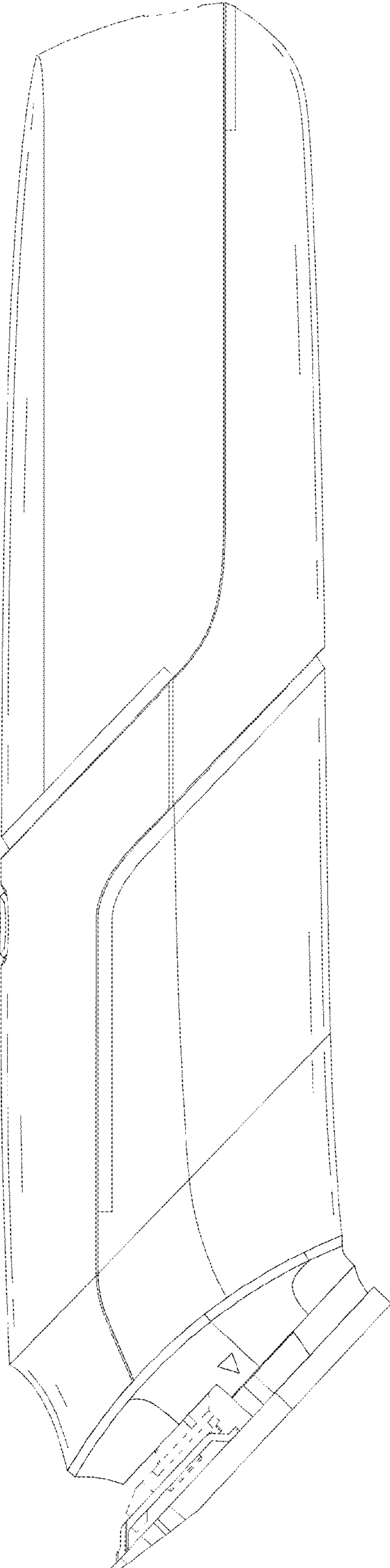


FIG. 3

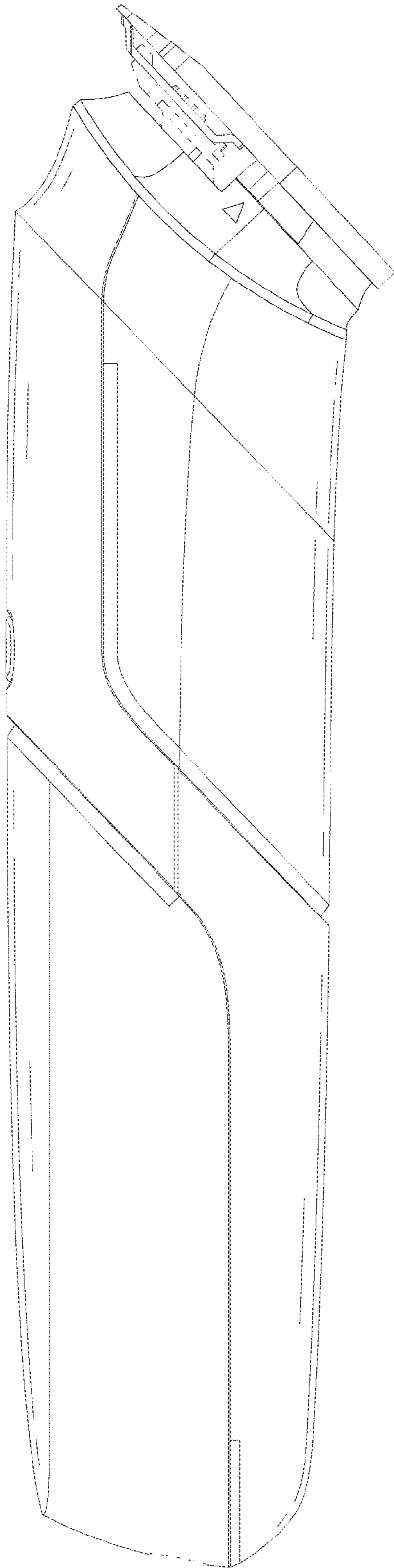


FIG. 4

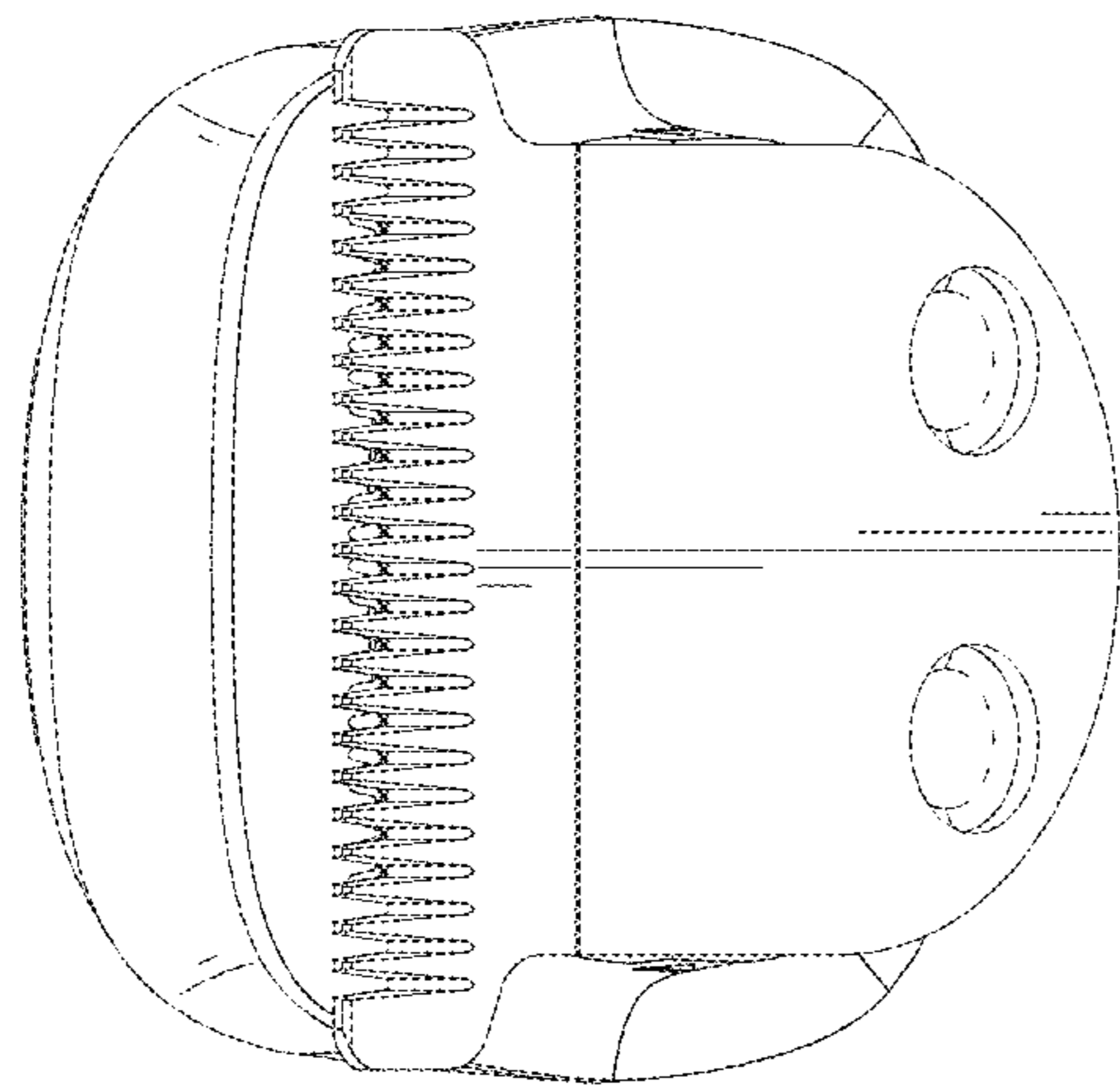


FIG. 5

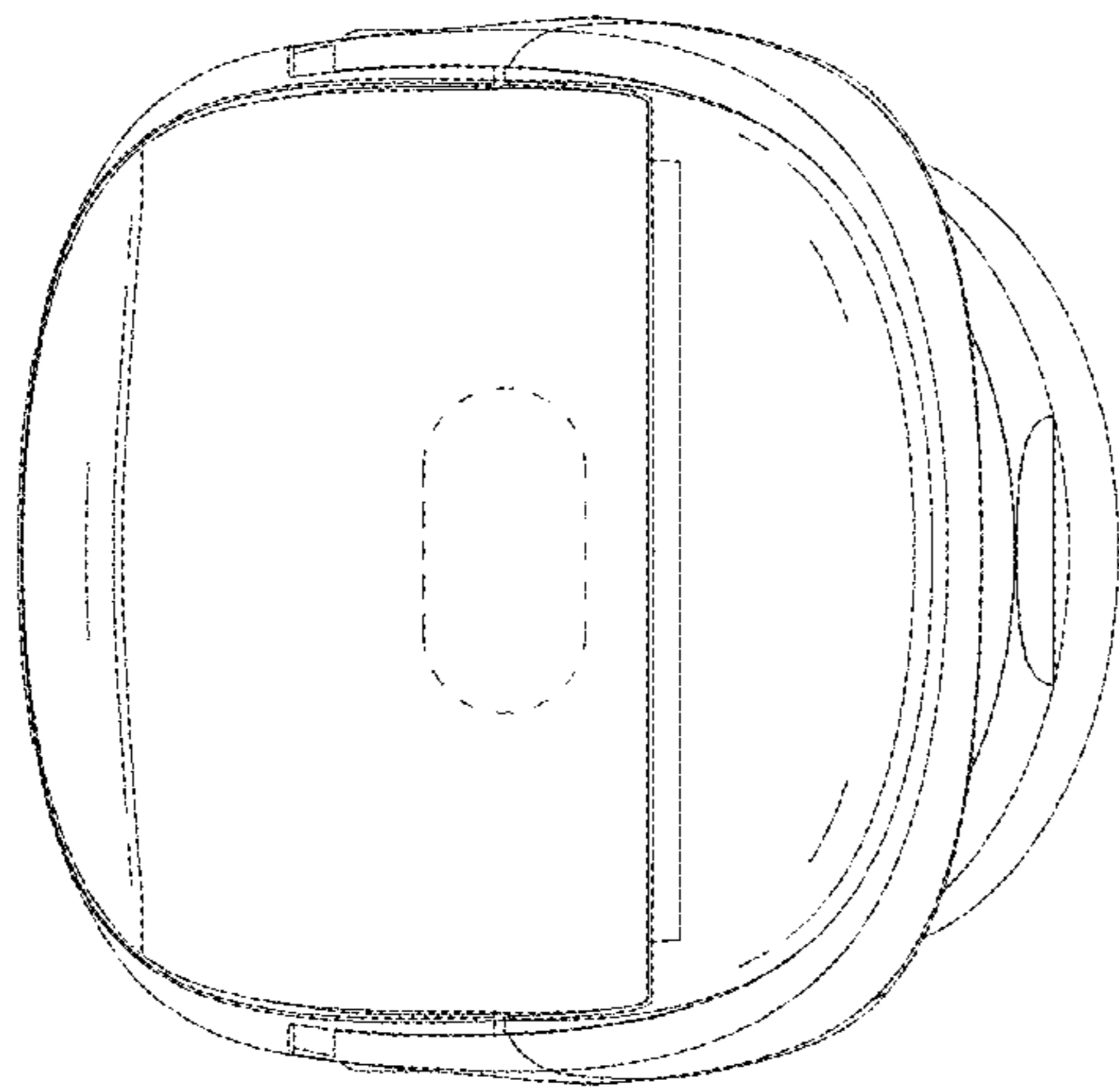


FIG. 6

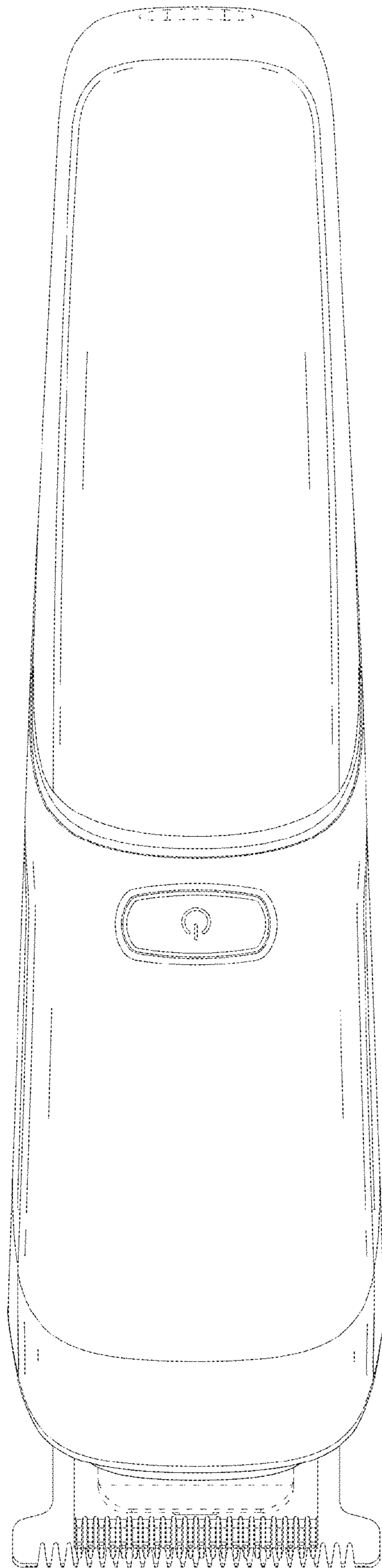


FIG. 7

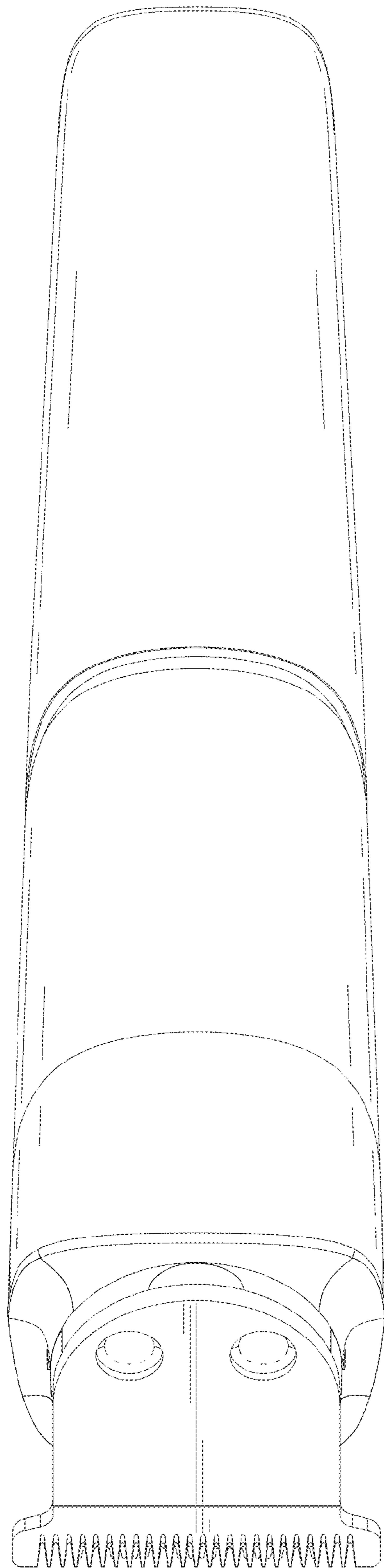


FIG. 8