



US00D987183S

(12) **United States Design Patent** (10) **Patent No.:** **US D987,183 S**  
**Jiang** (45) **Date of Patent:** **\*\* May 23, 2023**

(54) **SHAVER**

FOREIGN PATENT DOCUMENTS

(71) Applicant: **NINGBO ICLIPPER ELECTRIC APPLIANCE CO., LTD.**, Ningbo (CN)

CN 112109118 A \* 12/2020 ..... B26B 19/06  
CN 113601558 A \* 11/2021  
CN 114083582 A \* 2/2022

(72) Inventor: **Qi Jiang**, Ningbo (CN)

OTHER PUBLICATIONS

(\*\*) Term: **15 Years**

Liujunh hairclippers by Hatteker, www.amazon.com, 1 page, downloaded Dec. 7, 2022 (Year: 2022).\*

(21) Appl. No.: **29/865,806**

\* cited by examiner

(22) Filed: **Aug. 12, 2022**

*Primary Examiner* — Jennifer Rivard

(51) **LOC (14) Cl.** ..... **28-03**

(52) **U.S. Cl.**  
USPC ..... **D28/49**

(57) **CLAIM**

(58) **Field of Classification Search**  
USPC ..... D28/49–54  
CPC ..... B26B 19/384–3893; B26B 19/38–3826;  
B26B 19/26–265; B26B 19/00–107  
See application file for complete search history.

The ornamental design for a shaver, as shown and described.

**DESCRIPTION**

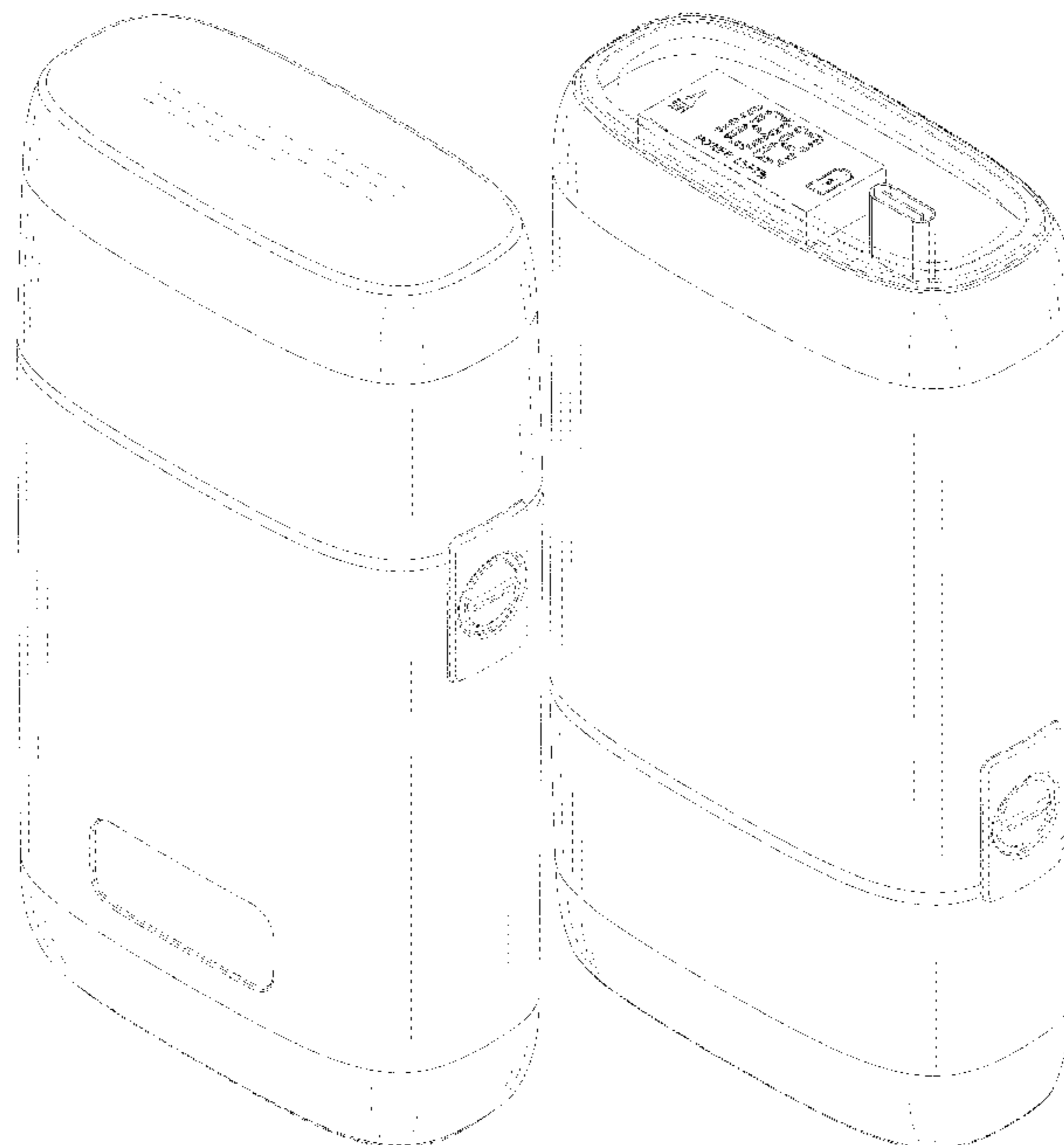
(56) **References Cited**

U.S. PATENT DOCUMENTS

D237,912 S	12/1975	Takagi	
D326,166 S *	5/1992	Yanagida	D28/49
D359,581 S *	6/1995	Ullmann	D28/51
D447,284 S *	8/2001	Micinilio	D28/49
D447,601 S *	9/2001	Andrew	D28/49
D477,113 S *	7/2003	Muramatsu	D28/51
D479,361 S *	9/2003	Micinilio	D28/49
D482,822 S *	11/2003	Buck, Jr.	D28/49
D818,646 S *	5/2018	Szymanski	D28/51
D893,102 S *	8/2020	Jiang	D28/53
D911,615 S *	2/2021	Xiao	D28/53
D914,979 S *	3/2021	Fleming	D28/51
D959,055 S *	7/2022	Huang	D28/51
D967,537 S *	10/2022	Kong	D28/51
D968,024 S *	10/2022	Qiu	D28/49
D977,719 S *	2/2023	Zhu	D28/49

FIG. 1 is first perspective view of a shaver showing my new design;  
FIG. 2 is second perspective view thereof;  
FIG. 3 is third perspective view thereof;  
FIG. 4 is an exploded perspective view thereof.  
FIG. 5 is a front elevational view;  
FIG. 6 is a rear elevational view thereof;  
FIG. 7 is a left elevational view thereof;  
FIG. 8 is a right elevational view thereof;  
FIG. 9 is a top plan view thereof thereof;  
FIG. 10 is a bottom plan view thereof; and,  
FIG. 11 is an enlarged view of portion of FIG. 4.  
The evenly spaced broken lines illustrate portions of the shaver. The dash-dot-dash broken lines illustrate the boundary of the enlarged portion of the shaver. Neither of the broken line disclosures form part of the claimed design.

**1 Claim, 11 Drawing Sheets**



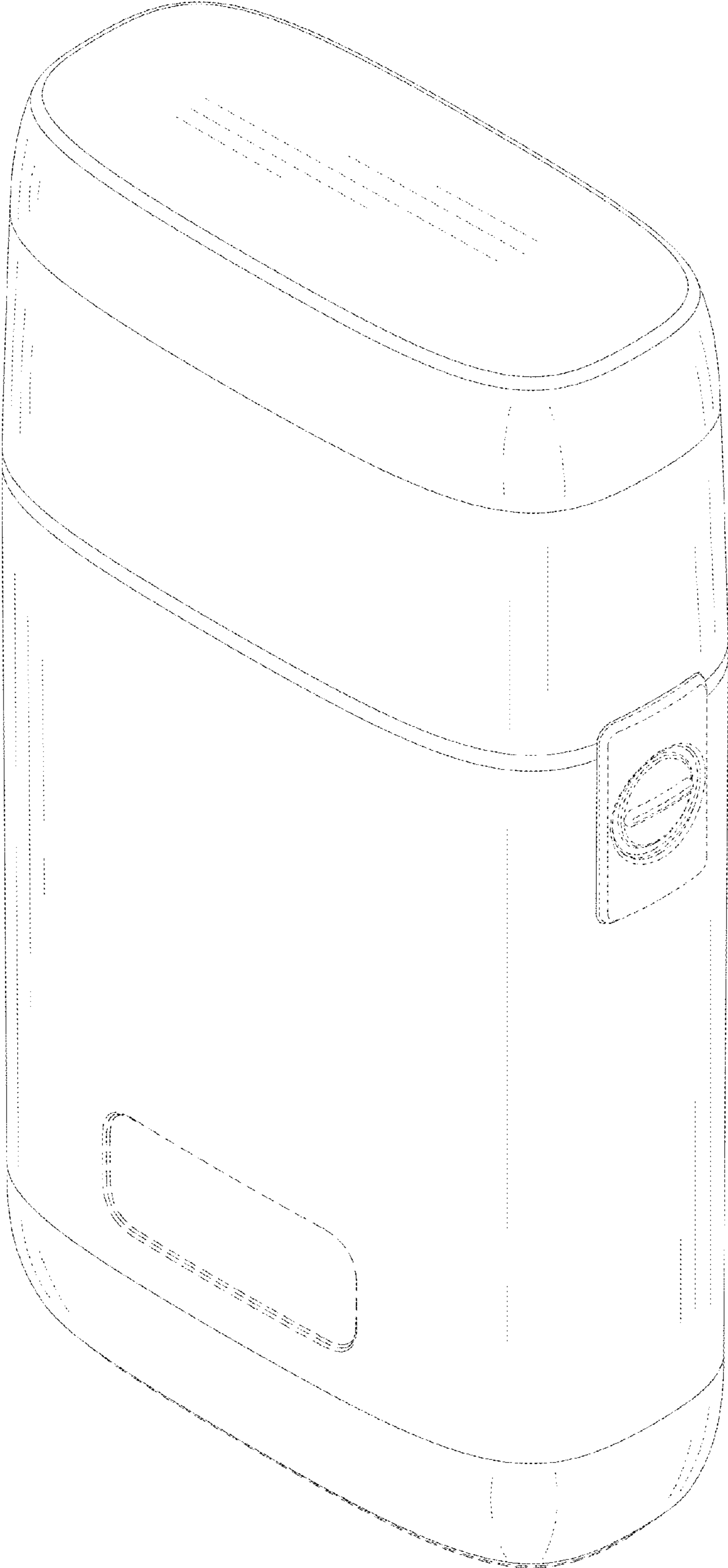


FIG.1

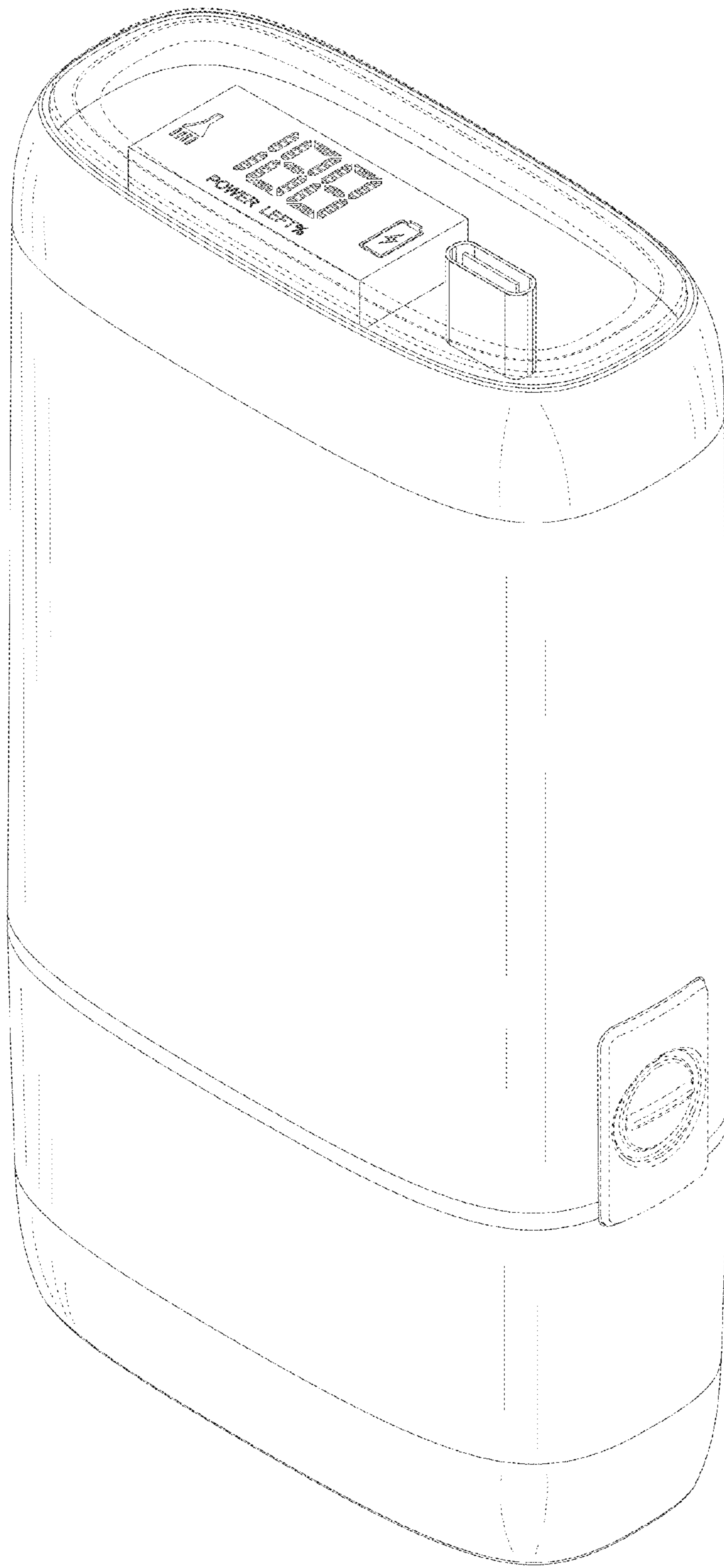


FIG. 2





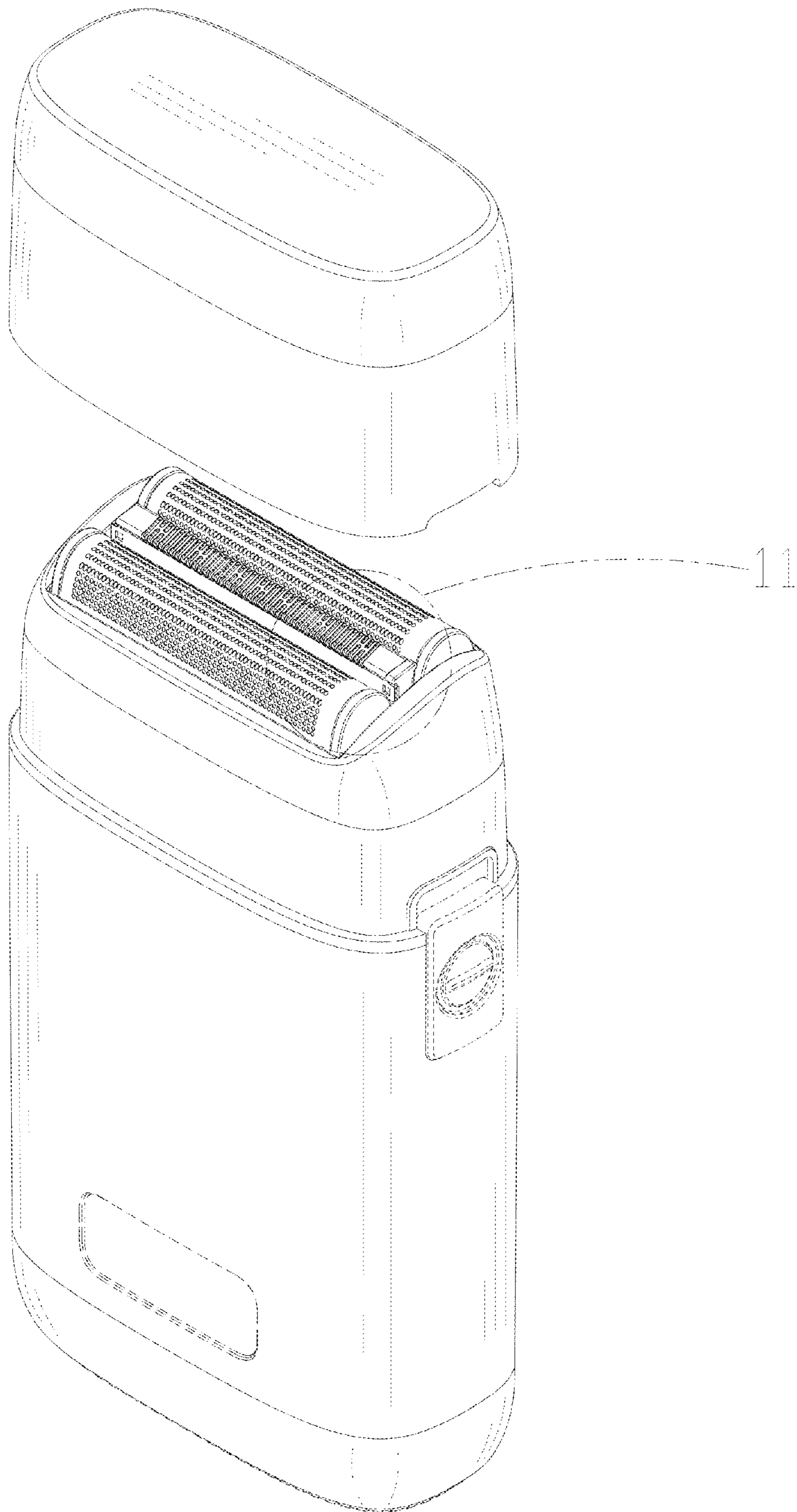


FIG. 4

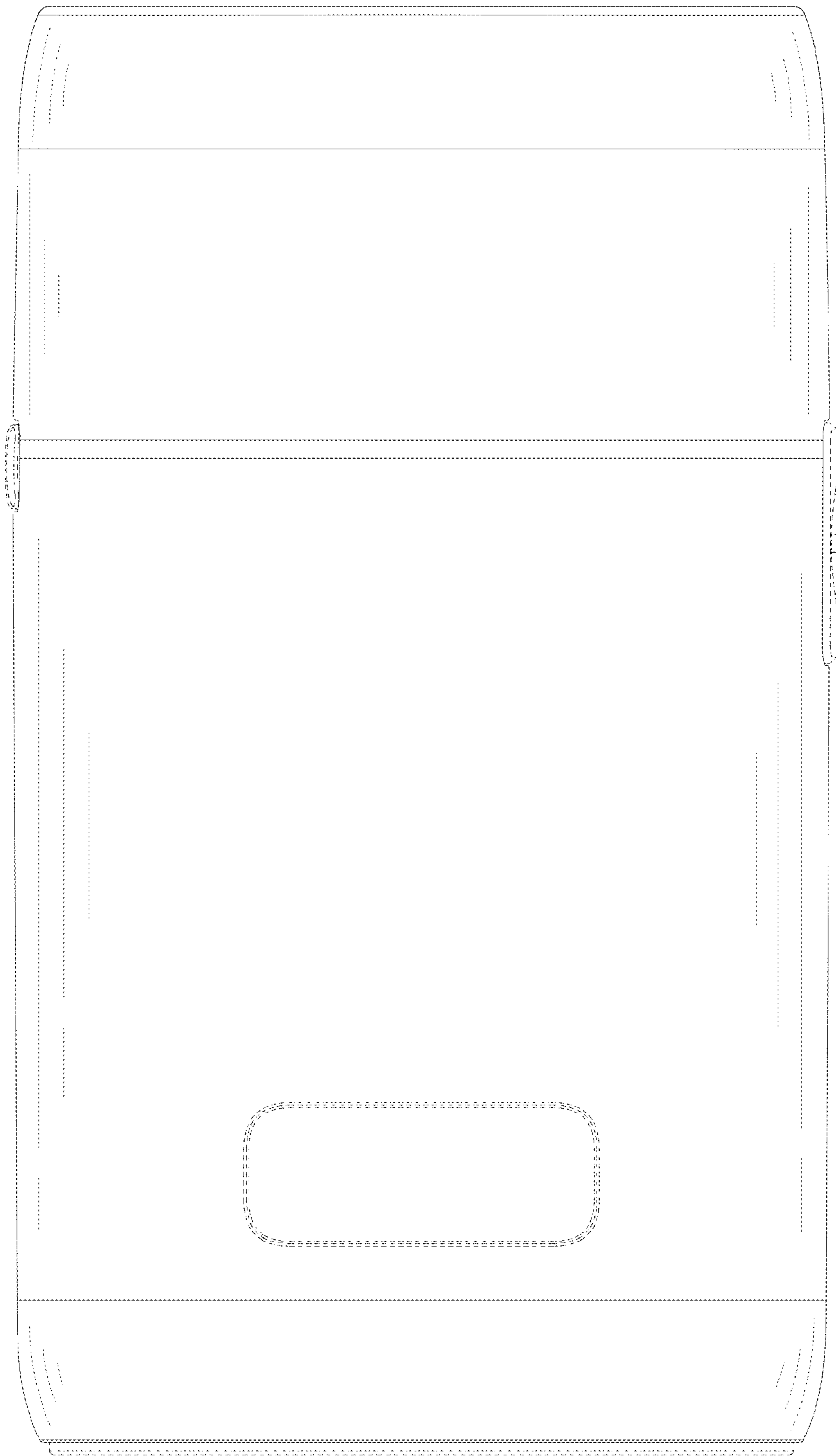


FIG. 5

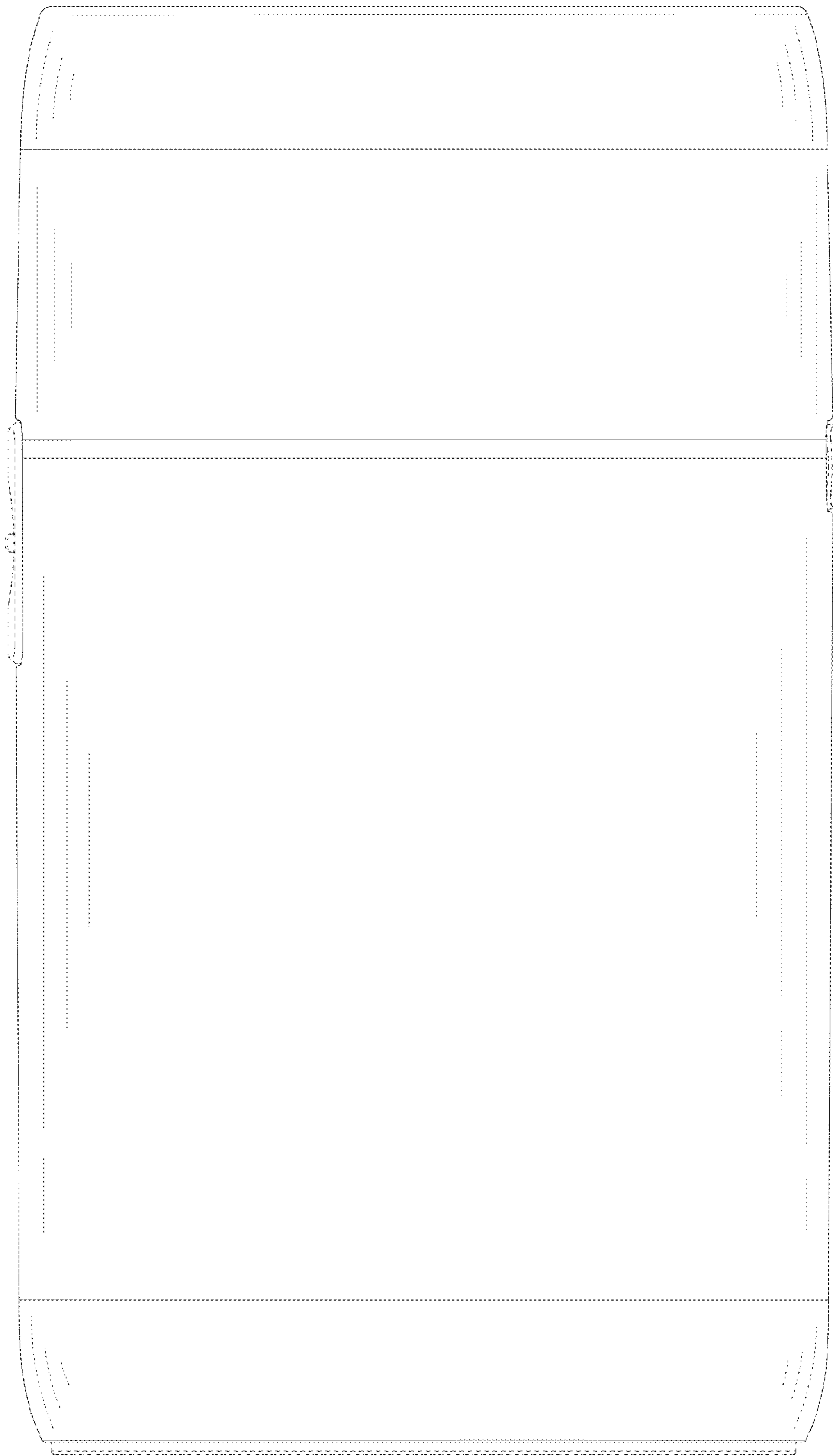


FIG. 6

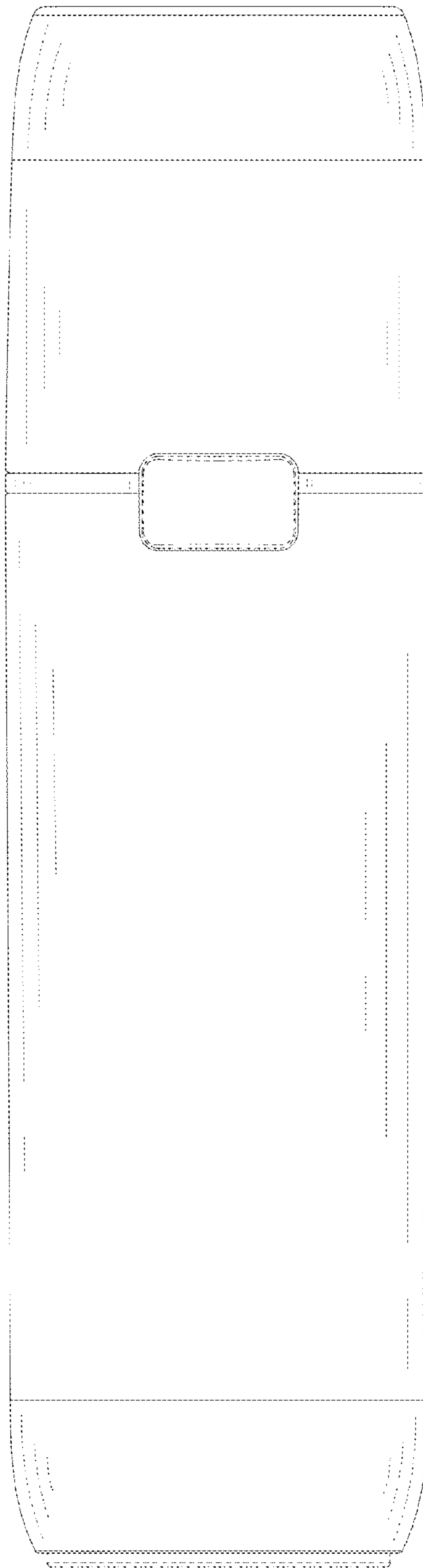


FIG. 7



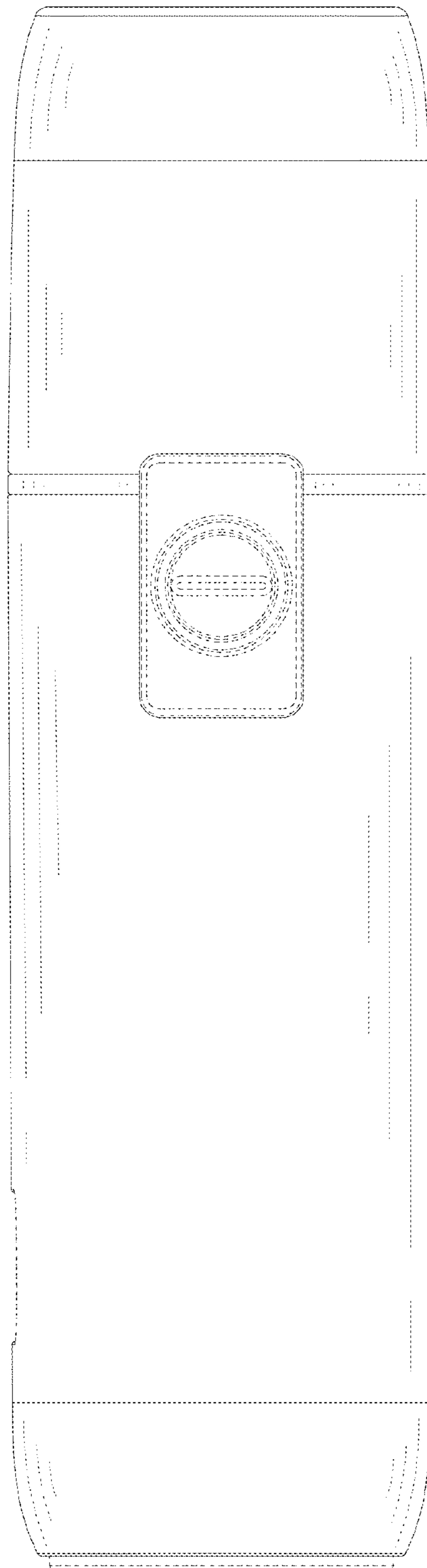


FIG. 8

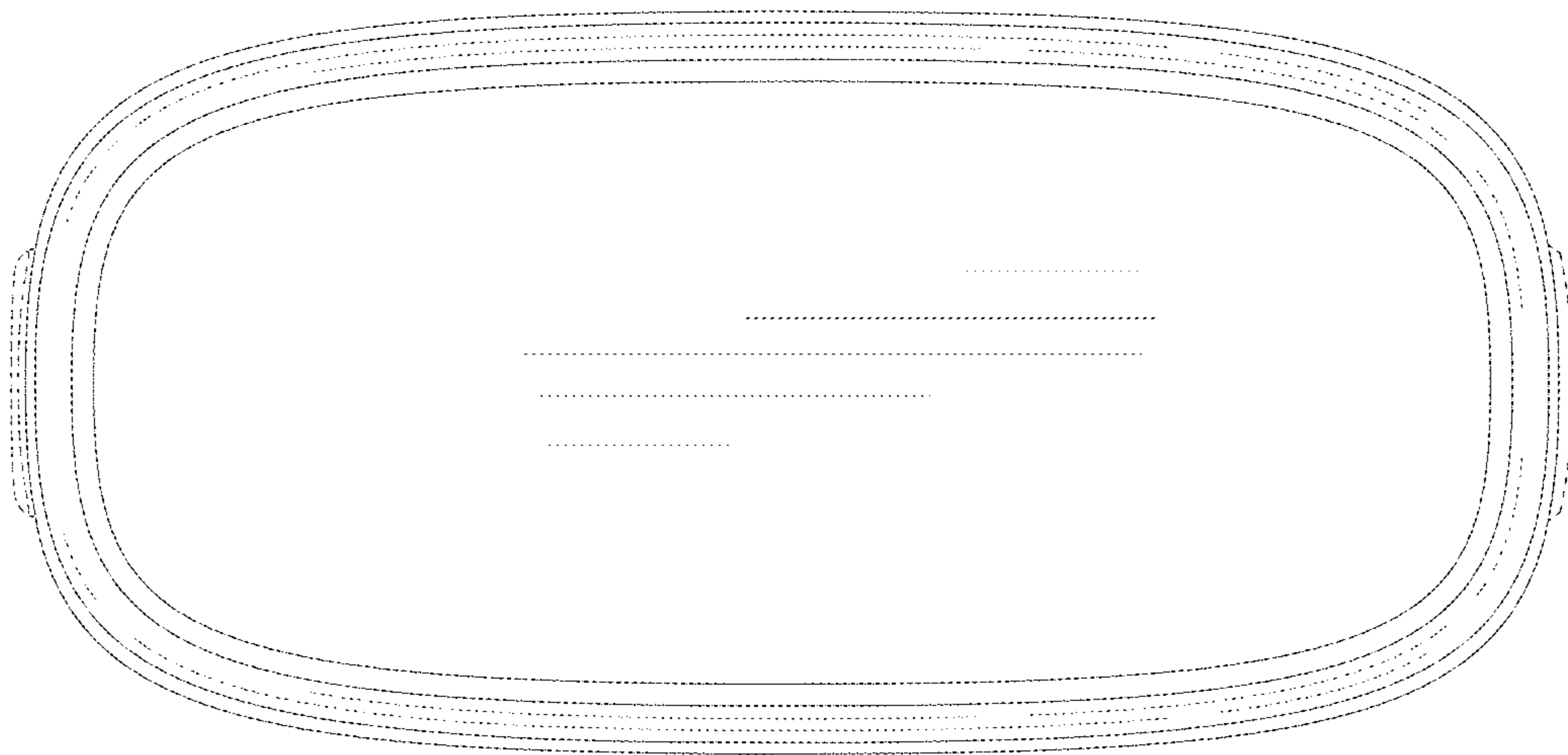


FIG. 9

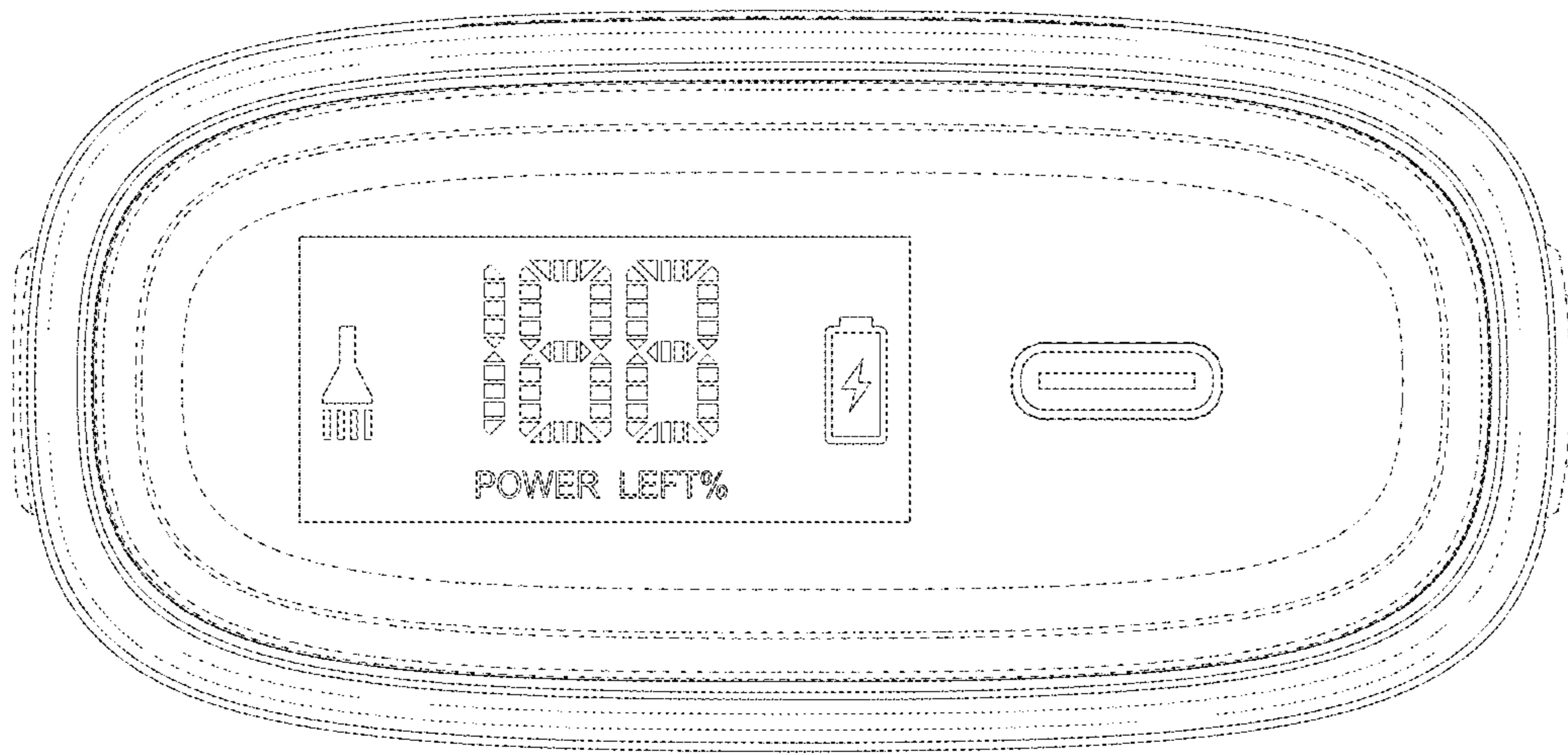


FIG.10

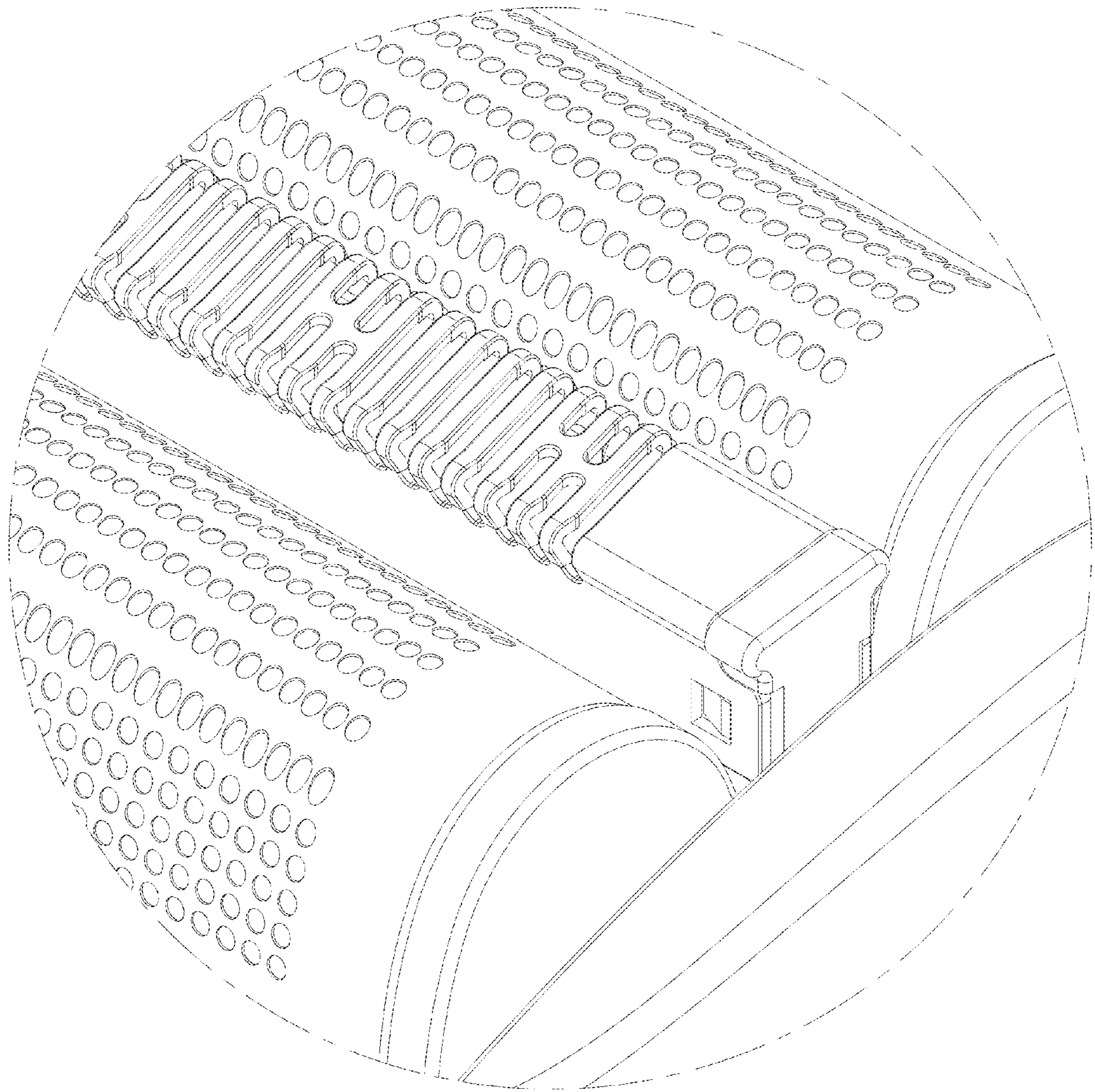


FIG.11