



US00D987175S

(12) **United States Design Patent**
Crowe

(10) **Patent No.:** **US D987,175 S**

(45) **Date of Patent:** **** May 23, 2023**

(54) **DUAL POD**

(71) Applicant: **Vuber Technologies, LLC**, Seattle, WA
(US)

(72) Inventor: **David Crowe**, Lake Forest Park, WA
(US)

(**) Term: **15 Years**

(21) Appl. No.: **29/784,042**

(22) Filed: **May 17, 2021**

(51) **LOC (14) Cl.** **27-02**

(52) **U.S. Cl.**
USPC **D27/162**

(58) **Field of Classification Search**
USPC D27/162, 100, 101, 163–165, 172, 174,
D27/183, 185–194; D24/110, 110.5
CPC A24F 47/002; A24F 47/004; A24F 47/00;
A24F 47/02; A24F 47/008; A24F 1/30;
A24F 1/02; A24F 1/00; A61M 15/00;
A61M 15/06

See application file for complete search history.

(56) **References Cited**

U.S. PATENT DOCUMENTS

D716,997 S * 11/2014 Frelander D27/165
D834,746 S * 11/2018 Liu D27/162

D844,232 S * 3/2019 Qiu D27/163
D844,235 S * 3/2019 Cividi D27/167
D864,473 S * 10/2019 Reimann D27/162
D872,933 S * 1/2020 Santos D27/162
D877,322 S * 3/2020 Jackson D24/110
D877,408 S * 3/2020 Mead D27/162
D930,236 S * 9/2021 Fornarelli D27/167
D968,017 S * 10/2022 Yang D27/162
2003/0129556 A1 * 7/2003 Xu F23Q 2/165
431/278

* cited by examiner

Primary Examiner — Rebecca Tsehaye

(74) *Attorney, Agent, or Firm* — Walker Griffin Weitzel;
Alloy Patent Law

(57) **CLAIM**

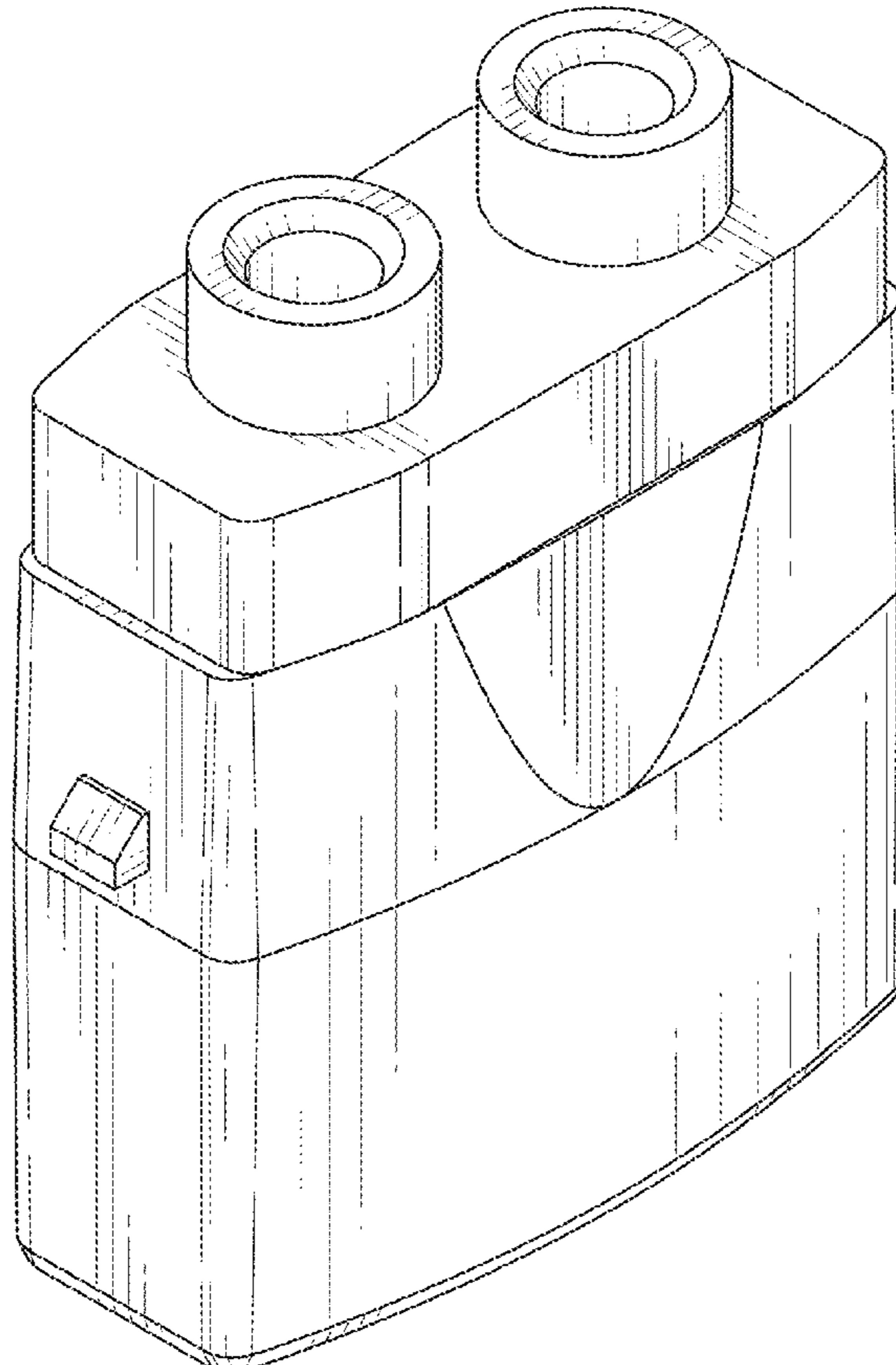
The ornamental design for a dual pod, substantially as shown and described.

DESCRIPTION

FIG. 1 is a top-front-right isometric view of a dual pod;
FIG. 2 is a front view thereof;
FIG. 3 is a side view thereof;
FIG. 4 is a top view thereof;
FIG. 5 is a bottom view thereof; and,
FIG. 6 is a bottom-rear-left view thereof.

The broken lines in the drawings depict the portions of the dual pod for a vaporizer that form no part of the claimed design.

1 Claim, 5 Drawing Sheets



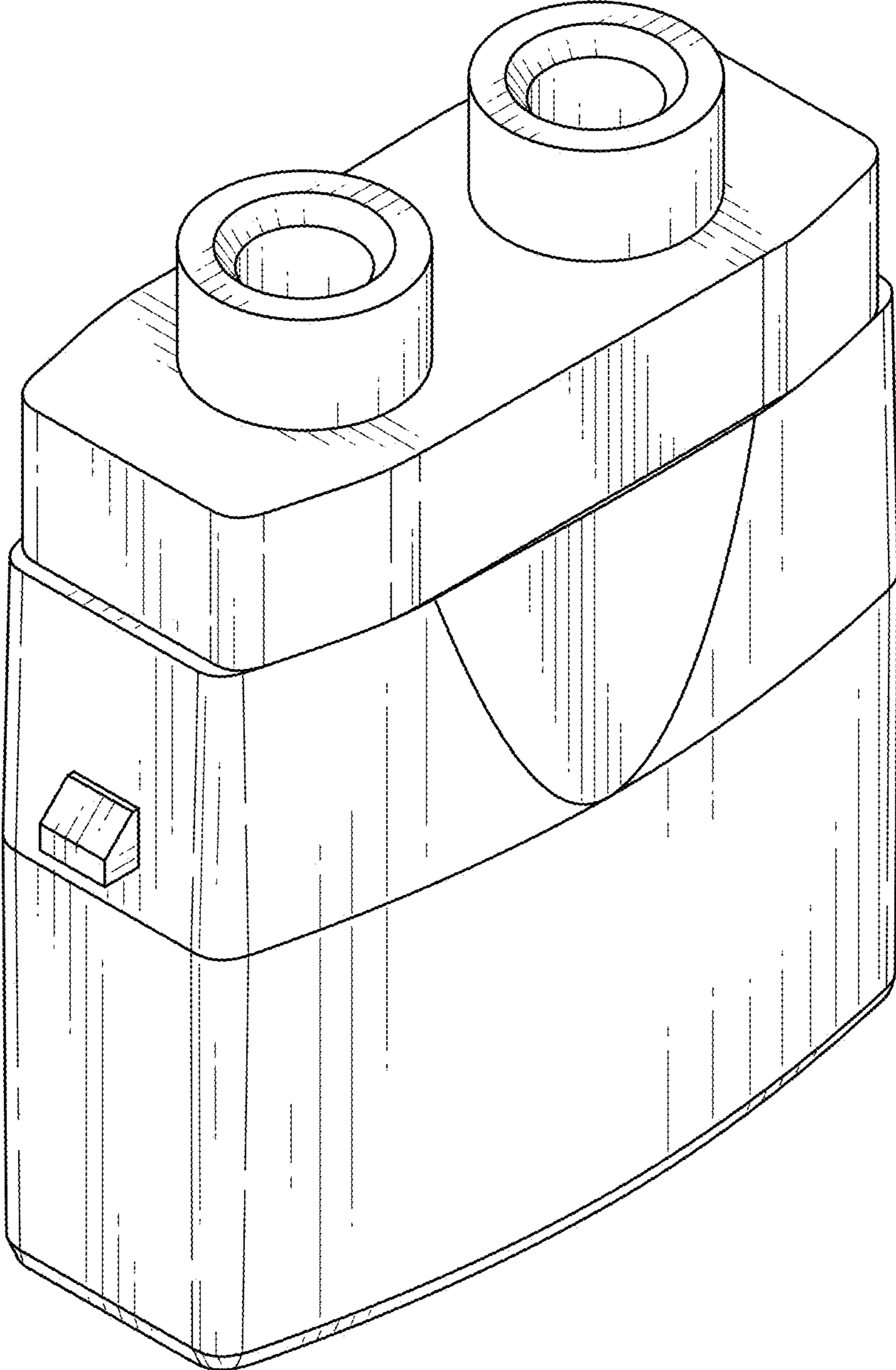


FIG. 1

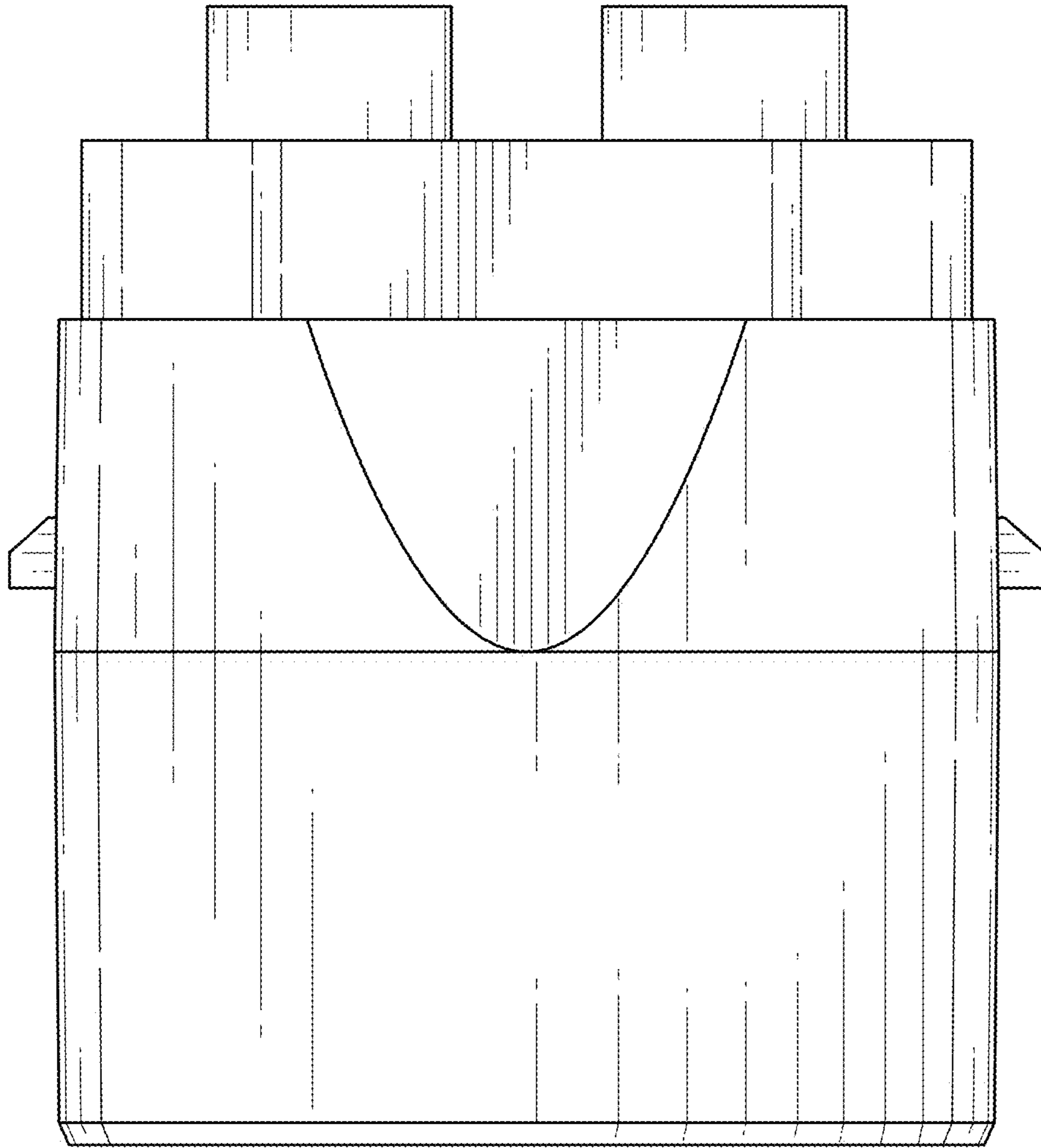


FIG. 2

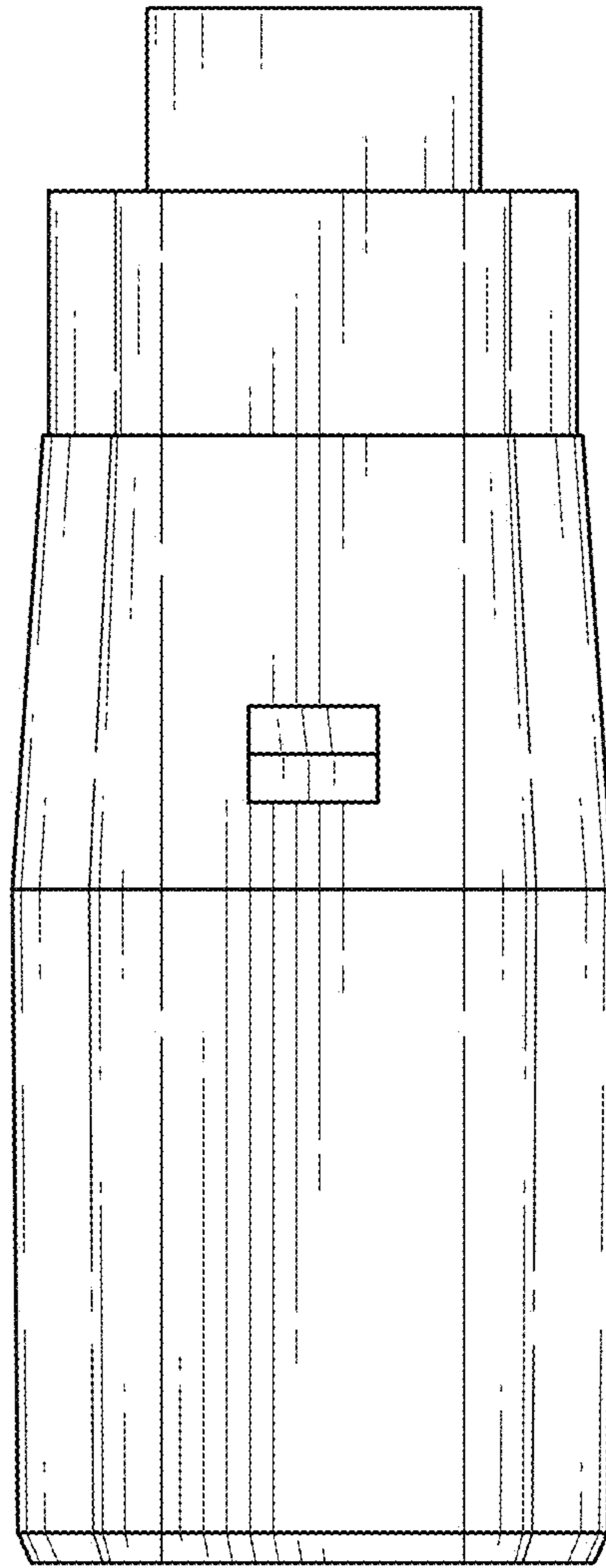


FIG. 3

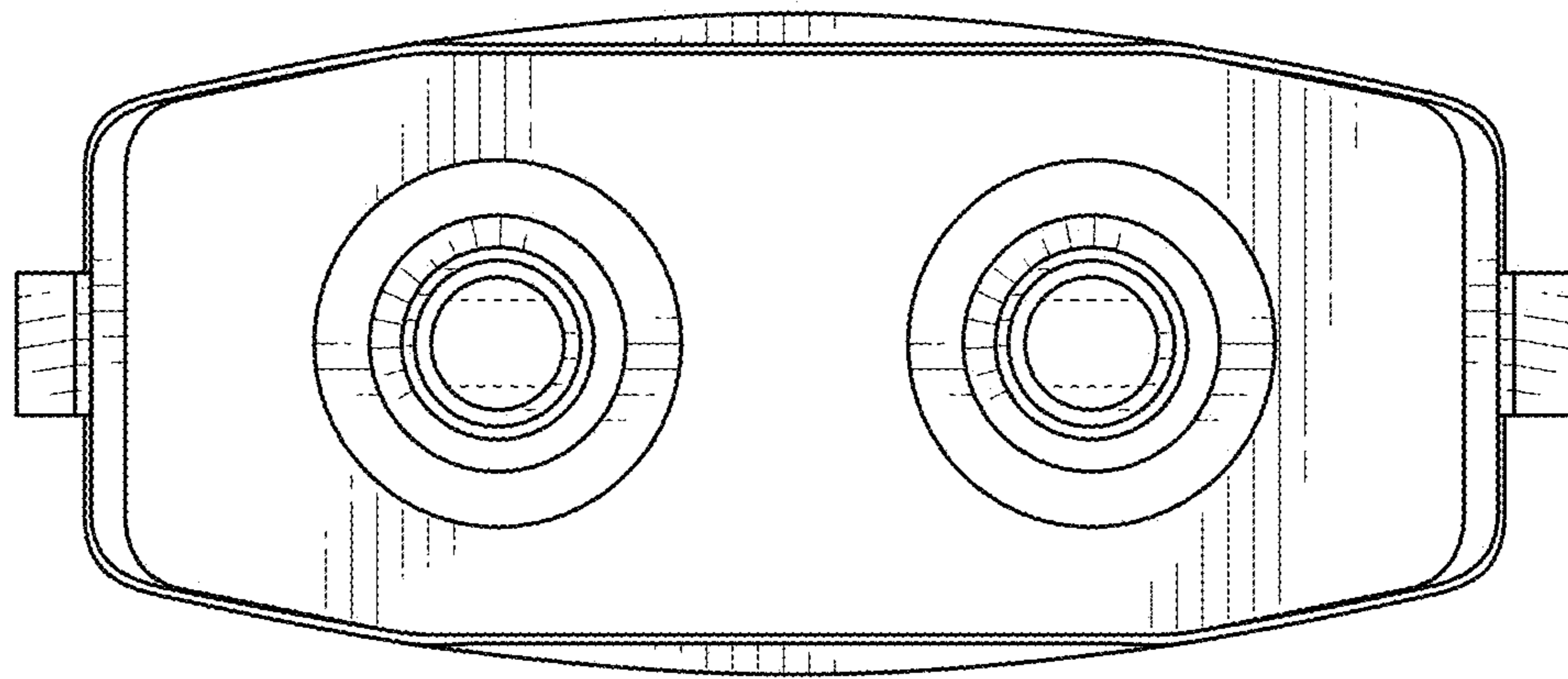


FIG. 4

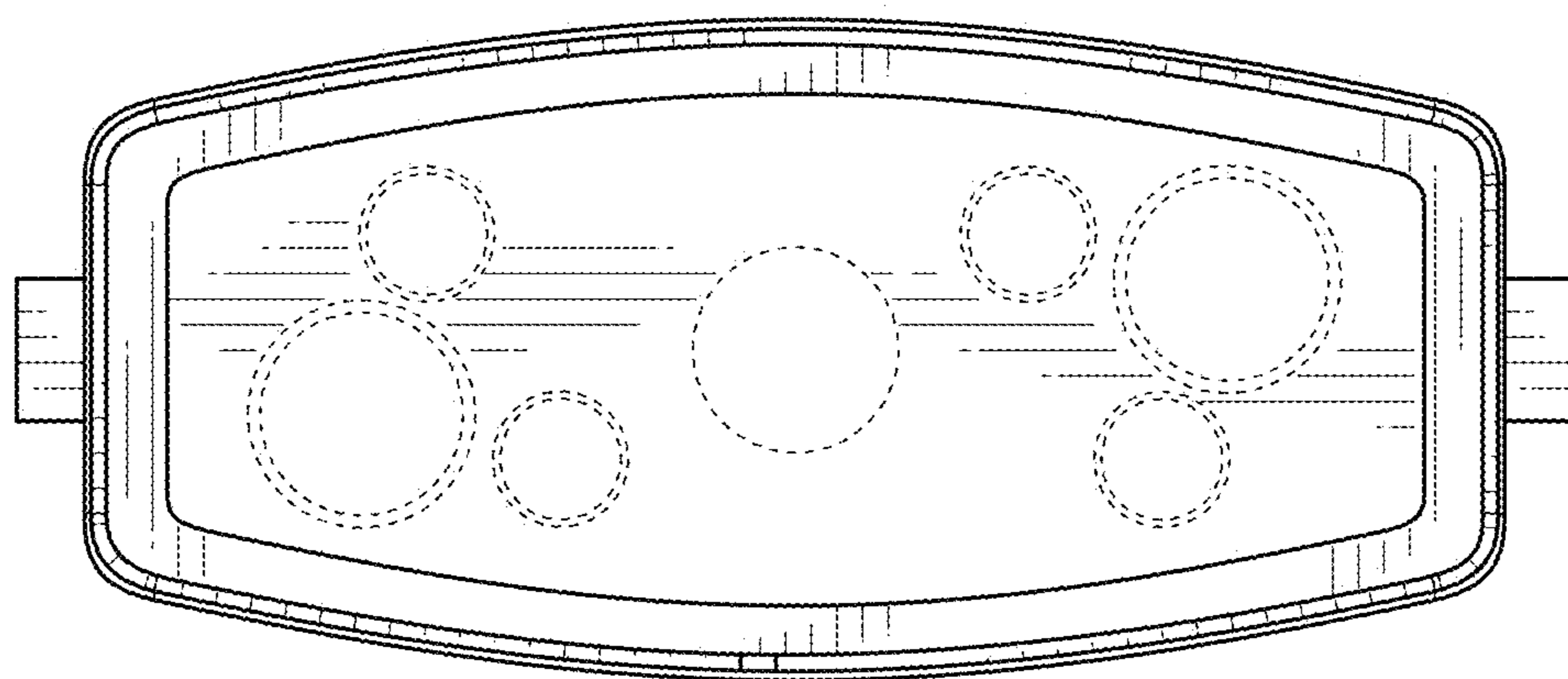


FIG. 5

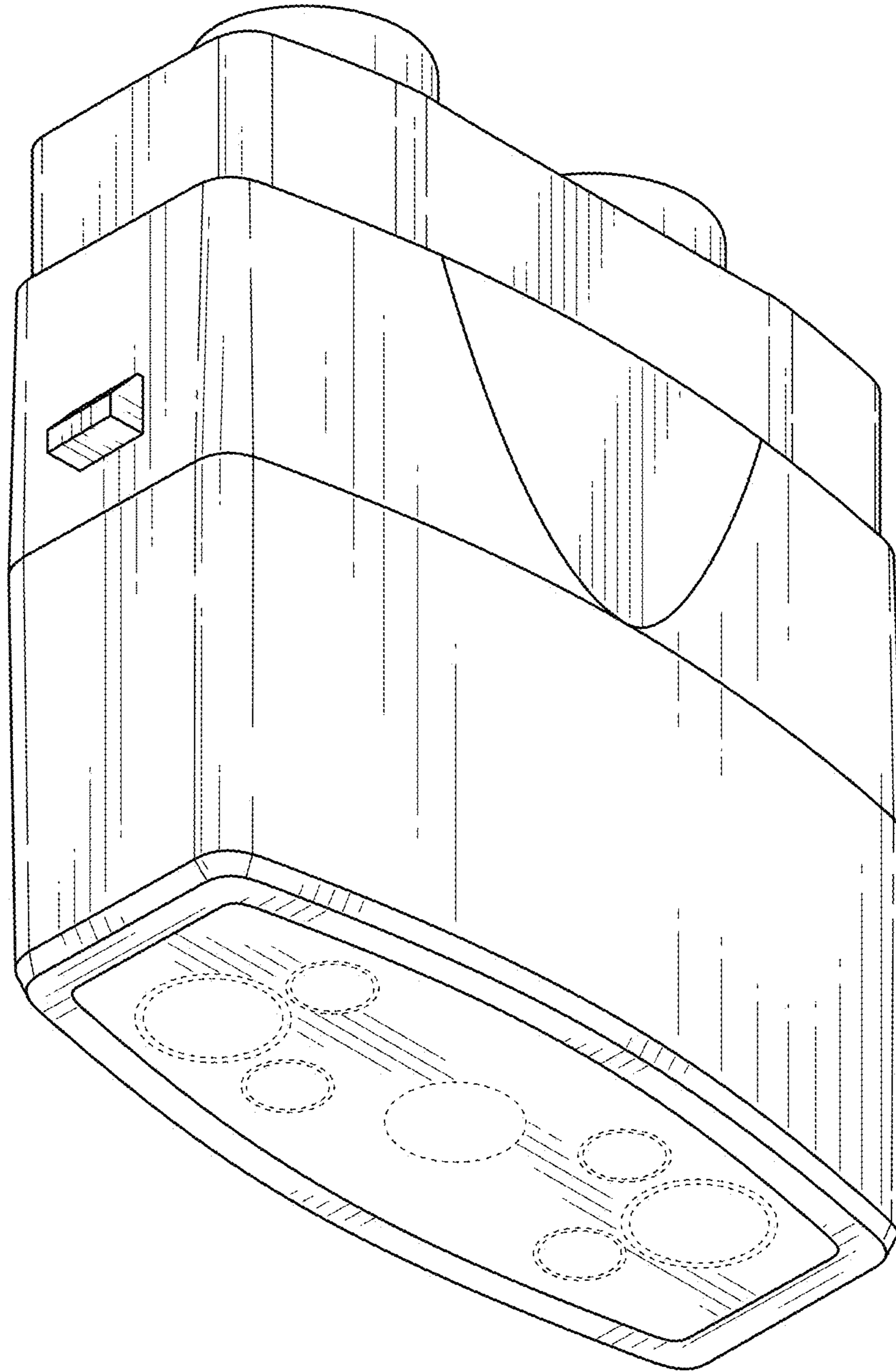


FIG. 6