



US00D987174S

(12) **United States Design Patent** (10) **Patent No.:** **US D987,174 S**
Barbaric et al. (45) **Date of Patent:** **** May 23, 2023**

(54) **VAPORIZER CARTRIDGE** 5,044,550 A * 9/1991 Lamm B65D 85/10564
229/160.1
(71) Applicant: **Airgraft Inc.**, Montreal (CA) 5,135,009 A 8/1992 Muller et al.
D360,826 S 8/1995 Harman et al.
(72) Inventors: **Mladen Barbaric**, Quebec (CA); **Kisae Kim**, Quebec (CA); **Sungmoon Kim**, Quebec (CA); **Bong Geun Kim**, Quebec (CA) 5,564,442 A 10/1996 MacDonald et al.
(Continued)

FOREIGN PATENT DOCUMENTS

(73) Assignee: **AIRGRAFT INC.**, Montreal (CA) CN 105962427 A 9/2016
CN 304796857 8/2018
WO WO 2017/185051 10/2017
(**) Term: **15 Years**

OTHER PUBLICATIONS

(21) Appl. No.: **29/769,873**
(22) Filed: **Feb. 8, 2021**
Related U.S. Application Data
(60) Continuation of application No. 29/728,690, filed on Mar. 20, 2020, now Pat. No. Des. 910,235, which is a division of application No. 29/666,824, filed on Oct. 16, 2018, now Pat. No. Des. 880,054.
(51) **LOC (14) Cl.** **27-02**
(52) **U.S. Cl.**
USPC **D27/162**
(58) **Field of Classification Search**
USPC D27/162, 163-170, 101, 186-189;
D13/103, 107; D23/360, 363, 366;
D24/110, 100.5; 128/202.21, 203.12;
131/273, 270, 329, 330, 191; D7/609;
D9/414, 416, 418, 423, 428, 430, 432,
D9/433, 435, 438, 760
CPC A24F 1/30; A24F 1/02; A24F 1/00; A24F
47/008; A24F 47/002
See application file for complete search history.

Replacement Pod Cartridge By: Vapeciga found on line Jun. 23, 2021 <https://www.vapeciga.com/products/veiik-airo-replacement-pod-cartridge-2ml-2pcs> Oct. 9, 2020.*
(Continued)

Primary Examiner — Rebecca Tsehaye
(74) *Attorney, Agent, or Firm* — Cooley LLP

(57) **CLAIM**

The ornamental design for a vaporizer cartridge, as shown and described.

DESCRIPTION

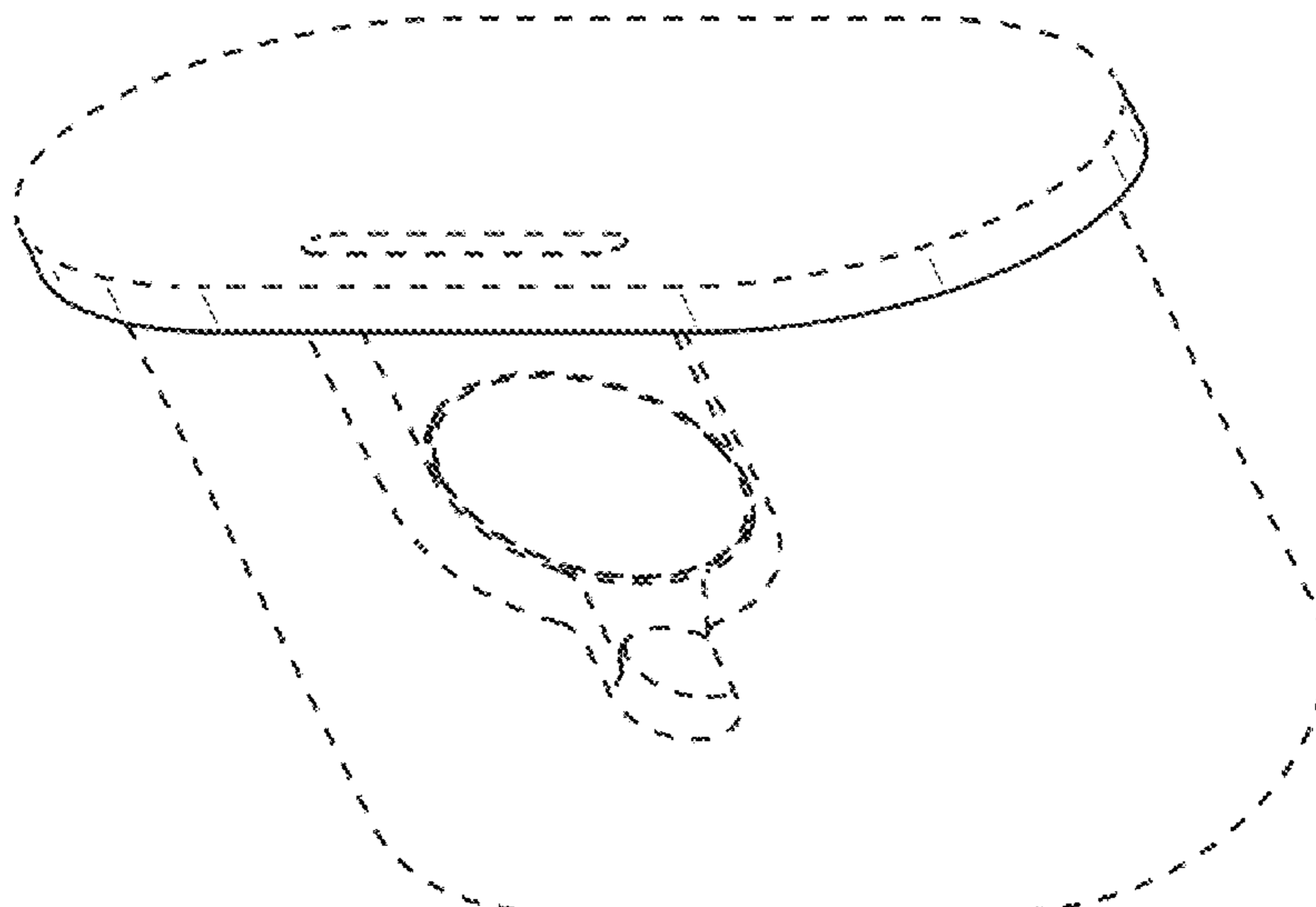
FIG. 1 is a perspective view of the vaporizer cartridge; FIG. 2 is a back view thereof; FIG. 3 is a front view thereof; FIG. 4 is a right side view thereof; FIG. 5 is a left side view thereof; FIG. 6 is a top view thereof; and, FIG. 7 is a bottom view thereof.
The broken lines immediately adjacent the shaded areas represent the bounds of the claimed design while all other broken lines are directed to environment and are for illustrative purposes only; the broken lines form no part of the claimed design.

1 Claim, 4 Drawing Sheets

(56) **References Cited**

U.S. PATENT DOCUMENTS

D299,066 S * 12/1988 Newell D24/110
D306,561 S 3/1990 Lee
4,947,874 A 8/1990 Brooks et al.



(56)

References Cited

U.S. PATENT DOCUMENTS

D431,458 S 10/2000 Bried et al.
 D449,404 S * 10/2001 Emery D27/186
 6,513,524 B1 2/2003 Storz
 6,532,965 B1 3/2003 Abhulimen et al.
 D495,913 S 9/2004 Hsiao
 6,845,865 B2 1/2005 Wynalda, Jr. et al.
 D518,676 S 4/2006 Lee et al.
 D522,791 S 6/2006 Ho
 D526,896 S 8/2006 Partida
 D543,068 S 5/2007 Ng
 D593,405 S 6/2009 Ma et al.
 D600,965 S 9/2009 Elias et al.
 D609,563 S 2/2010 Daum et al.
 D610,303 S 2/2010 Valle
 D619,888 S 7/2010 Domingues et al.
 7,832,410 B2 11/2010 Hon
 D632,955 S 2/2011 Smith, III et al.
 D634,892 S 3/2011 Hein
 D637,073 S 5/2011 Morcos
 D642,004 S 7/2011 Lau
 7,997,280 B2 8/2011 Rosenthal
 D677,000 S 2/2013 Liu
 D683,844 S * 6/2013 Andrade D24/110
 D689,818 S * 9/2013 Sasada D13/107
 D697,399 S 1/2014 Parmar et al.
 8,733,346 B2 5/2014 Rinker
 D711,735 S 8/2014 Atkinson
 D717,164 S 11/2014 Rossiter
 8,897,628 B2 11/2014 Conley et al.
 8,991,402 B2 3/2015 Bowen et al.
 D728,855 S 5/2015 Liu
 D733,552 S 7/2015 Whalen, Jr. et al.
 D736,455 S 8/2015 Liu
 D742,741 S 11/2015 Rossiter
 D743,099 S 11/2015 Oglesby
 D749,341 S 2/2016 Mitchell
 D758,217 S 6/2016 Kumfer et al.
 D758,656 S 6/2016 Freshwater et al.
 D761,551 S * 7/2016 Stueckemann D3/203.1
 D762,003 S 7/2016 Lomeli
 D764,419 S 8/2016 Kashimoto
 9,408,416 B2 8/2016 Monsees et al.
 D765,908 S 9/2016 Zahr et al.
 D769,520 S 10/2016 Hua
 D770,090 S 10/2016 Zahr et al.
 D770,091 S 10/2016 Zahr et al.
 D771,308 S 11/2016 Saydar et al.
 D771,867 S 11/2016 Leidel et al.
 D773,114 S 11/2016 Leidel et al.
 D775,762 S 1/2017 Chen
 D776,338 S * 1/2017 Lomeli D27/163
 9,549,573 B2 1/2017 Monsees et al.
 D778,235 S * 2/2017 Geier D13/103
 D789,788 S 6/2017 Rossiter
 9,717,276 B2 8/2017 Brammer et al.
 D799,746 S 10/2017 Leidel et al.
 D800,377 S 10/2017 Liu
 D800,545 S 10/2017 Burton
 D802,834 S 11/2017 Mathias et al.
 D807,170 S * 1/2018 Fisher D9/428
 D808,073 S 1/2018 Leidel
 D809,382 S 2/2018 Torchin et al.
 9,894,938 B2 2/2018 Vick et al.
 D812,289 S * 3/2018 Ward D27/172
 10,058,130 B2 3/2018 Monsees et al.
 10,070,669 B2 3/2018 Monsees et al.
 D816,267 S * 4/2018 Fornarelli D27/101

9,949,507 B2 4/2018 Flick
 D819,880 S 6/2018 Qiu
 D821,640 S 6/2018 Qiu
 9,999,250 B2 6/2018 Minskoff et al.
 D825,102 S 8/2018 Bowen et al.
 D827,117 S * 8/2018 Rigbi D23/360
 10,045,567 B2 8/2018 Monsees et al.
 10,045,568 B2 8/2018 Monsees et al.
 10,058,124 B2 8/2018 Monsees et al.
 10,058,129 B2 8/2018 Monsees et al.
 D828,912 S 9/2018 Powell
 10,076,139 B2 9/2018 Monsees et al.
 D830,821 S 10/2018 Torchin et al.
 D835,338 S 12/2018 Oligschlaeger
 D842,536 S * 3/2019 Bowen D27/167
 D842,819 S 3/2019 Maetani et al.
 D843,052 S 3/2019 Powell et al.
 D844,235 S * 3/2019 Cividi D27/167
 D844,240 S * 3/2019 Kauss D27/194
 D849,996 S * 5/2019 Duque D27/194
 D851,328 S 6/2019 Smith
 D853,022 S 7/2019 Srour
 D855,880 S 8/2019 Sarsurluoglu
 D880,054 S * 3/2020 Barbaric D27/162
 D881,827 S 4/2020 Chouji et al.
 D882,344 S * 4/2020 Lin D7/609
 D891,692 S * 7/2020 Barbaric D27/162
 D892,045 S * 8/2020 Zhang D13/108
 D894,898 S 9/2020 Nakhare et al.
 D898,991 S 10/2020 Pan
 D904,869 S 12/2020 Nelson et al.
 D907,476 S 1/2021 Hampton et al.
 D908,280 S * 1/2021 Aller D27/162
 D908,478 S 1/2021 Nelson et al.
 D909,861 S 2/2021 Nelson et al.
 D910,235 S * 2/2021 Barbaric D27/162
 D913,583 S 3/2021 Leon Duque et al.
 D918,710 S 5/2021 Hampton et al.
 D921,968 S 6/2021 Aller et al.
 D928,628 S 8/2021 Pierce et al.
 D931,737 S 9/2021 Apple et al.
 2014/0366898 A1 12/2014 Monsees et al.
 2014/0378790 A1 12/2014 Cohen
 2015/0090280 A1 4/2015 Chen
 2015/0150308 A1 6/2015 Monsees et al.
 2015/0224268 A1 8/2015 Henry et al.
 2015/0296887 A1 10/2015 Zhu
 2015/0320116 A1 11/2015 Bleloch et al.
 2016/0128384 A1 5/2016 Luciani
 2016/0157524 A1 6/2016 Bowen et al.
 2016/0295917 A1 10/2016 Malgat et al.
 2017/0156399 A1 6/2017 Freeman et al.
 2018/0037381 A1 * 2/2018 White B65D 43/0231

OTHER PUBLICATIONS

Vaporizer By Zamnesia found on line Jun. 23, 2021 <https://www.zamnesia.com/4322-pax-3.html> Sep. 5, 2018.
<https://www.whicksnwhacks.com/slant-top-oval-pillar-candle-mould-2325-p.asp> (Retrieved Online Mar. 8, 2020).
 Vaporizer cartridge, Oval Shape Metal Coin piggy Bank for Kids (1 Pcs) by: Giftoo found on line Nov. 8, 2019, 1 page. <https://www.giftoo.in/products/oval-shape-metal-coin-piggy-bank-for-kids-1-pcs> (Sep. 4, 2020).
 Japanese Office Action issued for JP Application No. 2019-008356, dated Dec. 25, 2019 received by the Applicant on Dec. 25, 2019.
 Japanese Office Action issued for JP Application No. 2019-008357, dated Dec. 25, 2019, received by the Applicant on Dec. 25, 2019.

* cited by examiner

FIG. 1

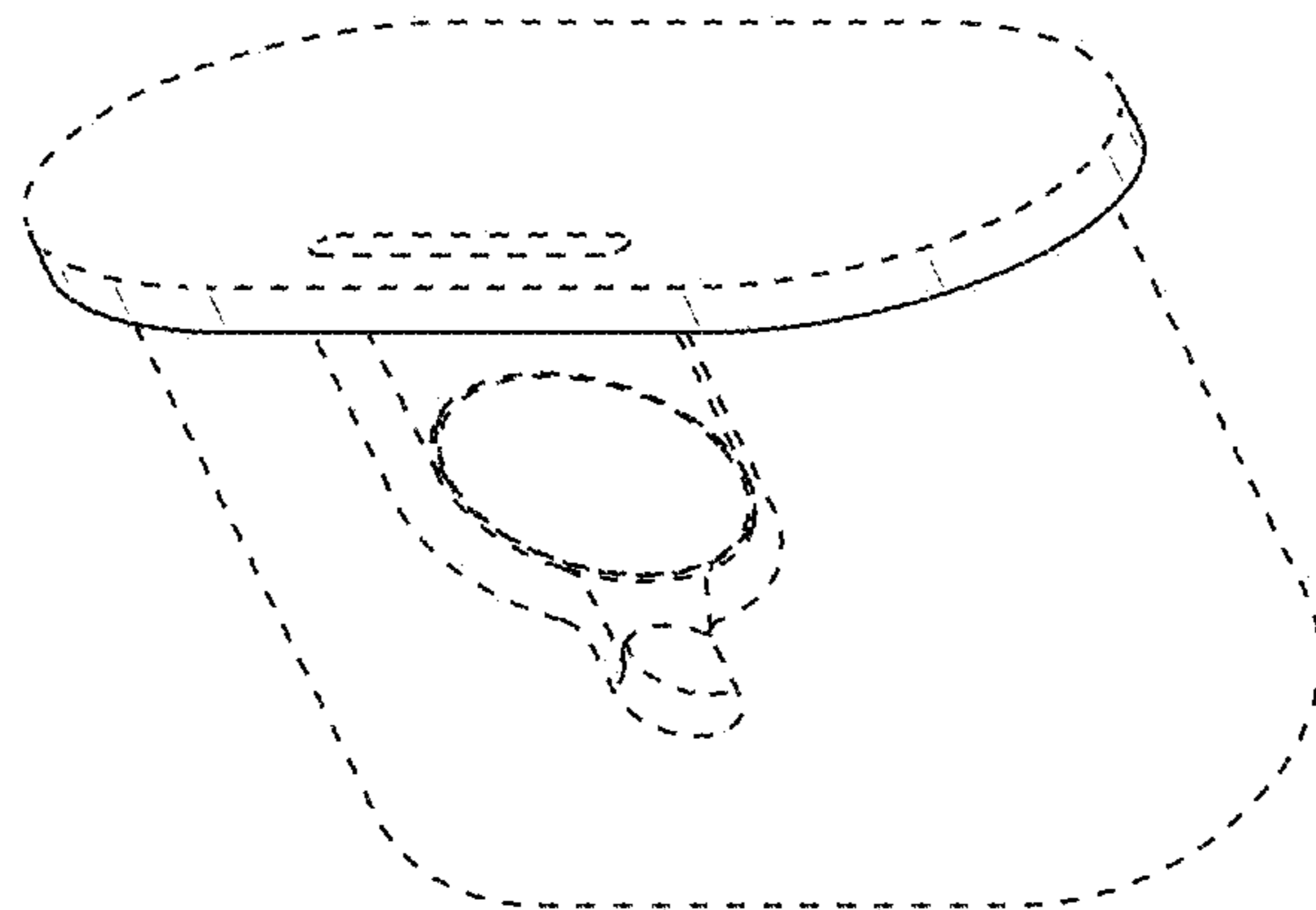


FIG. 2

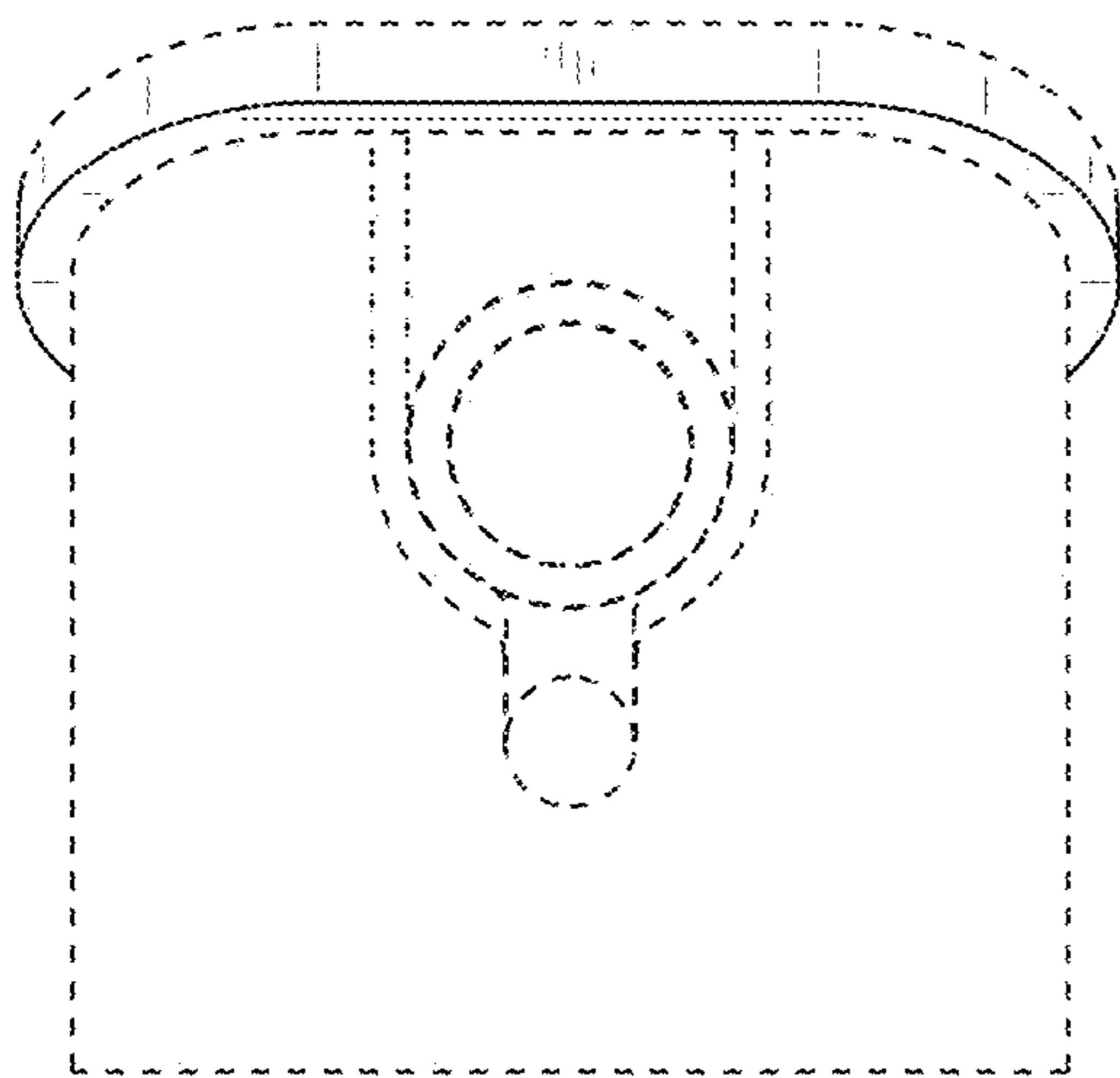


FIG. 3

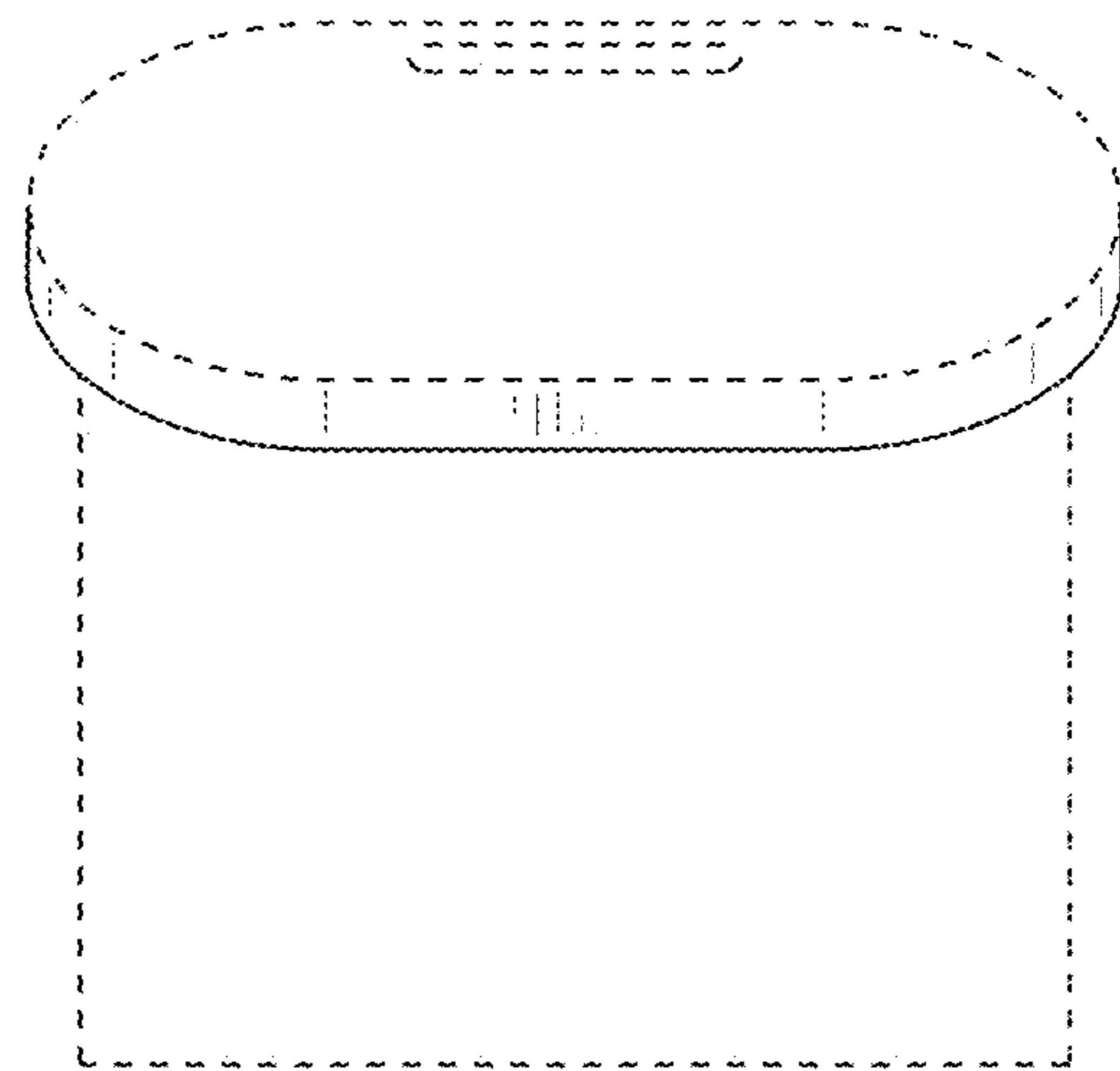


FIG. 4

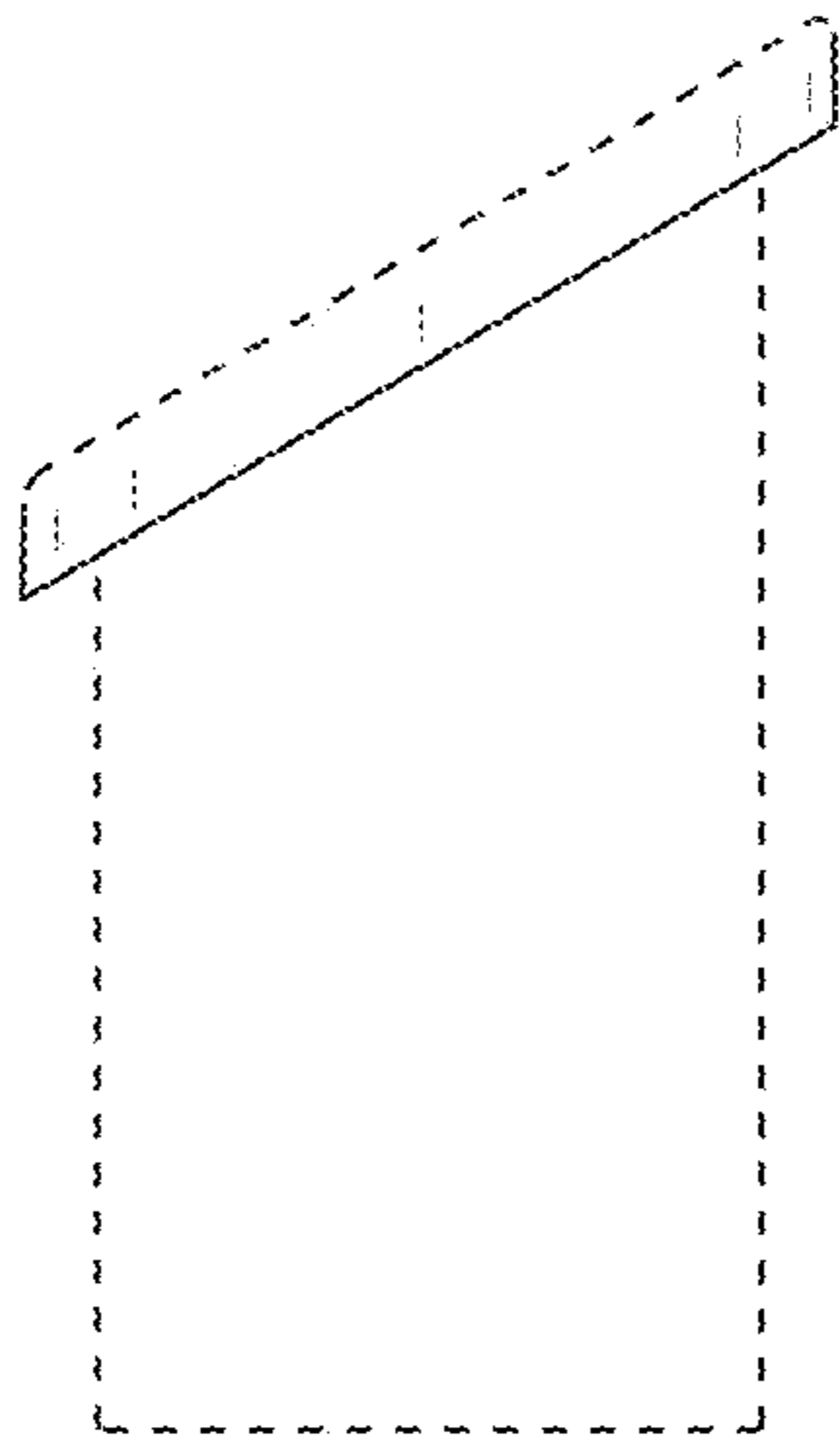


FIG. 5

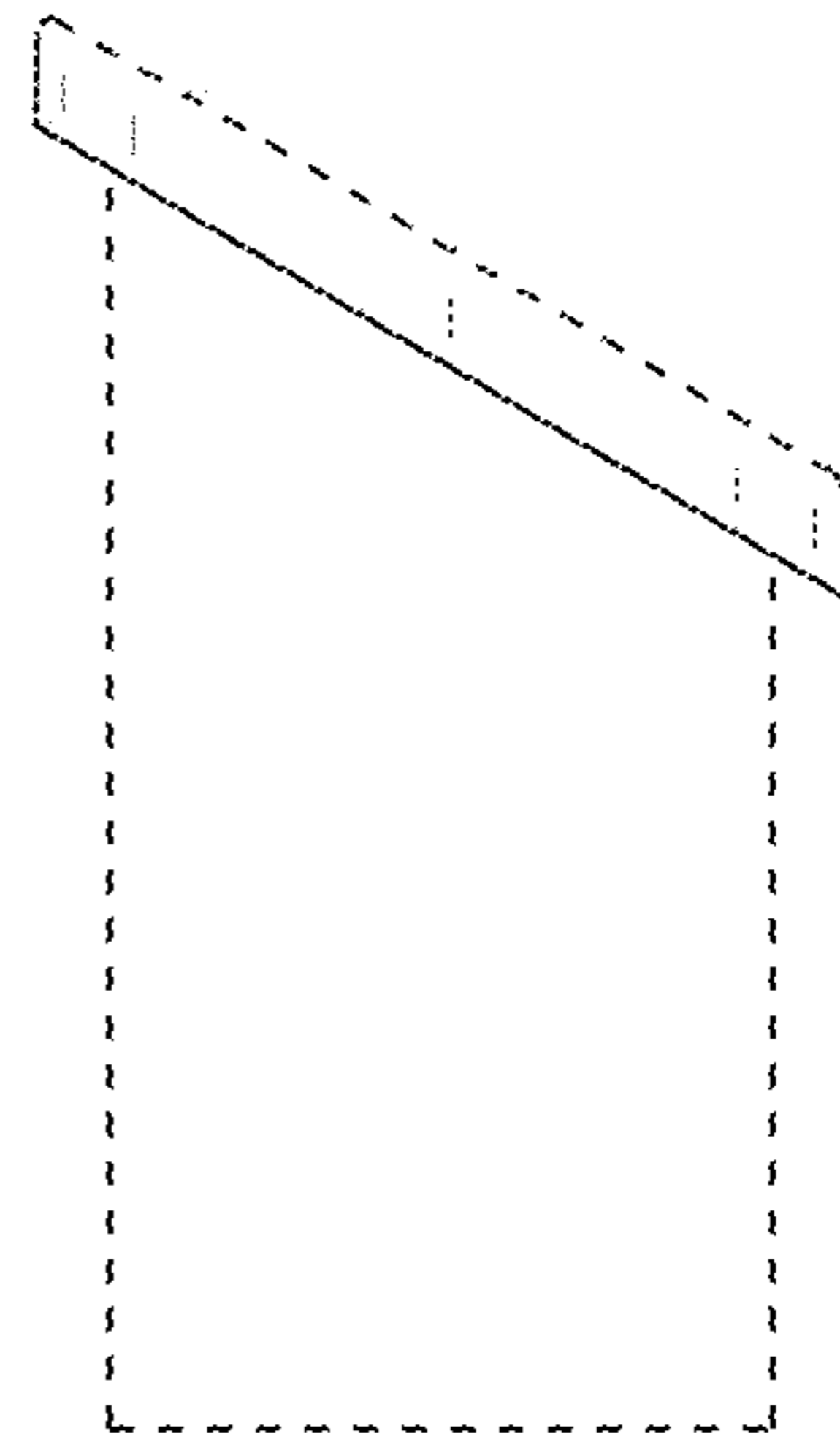


FIG. 6

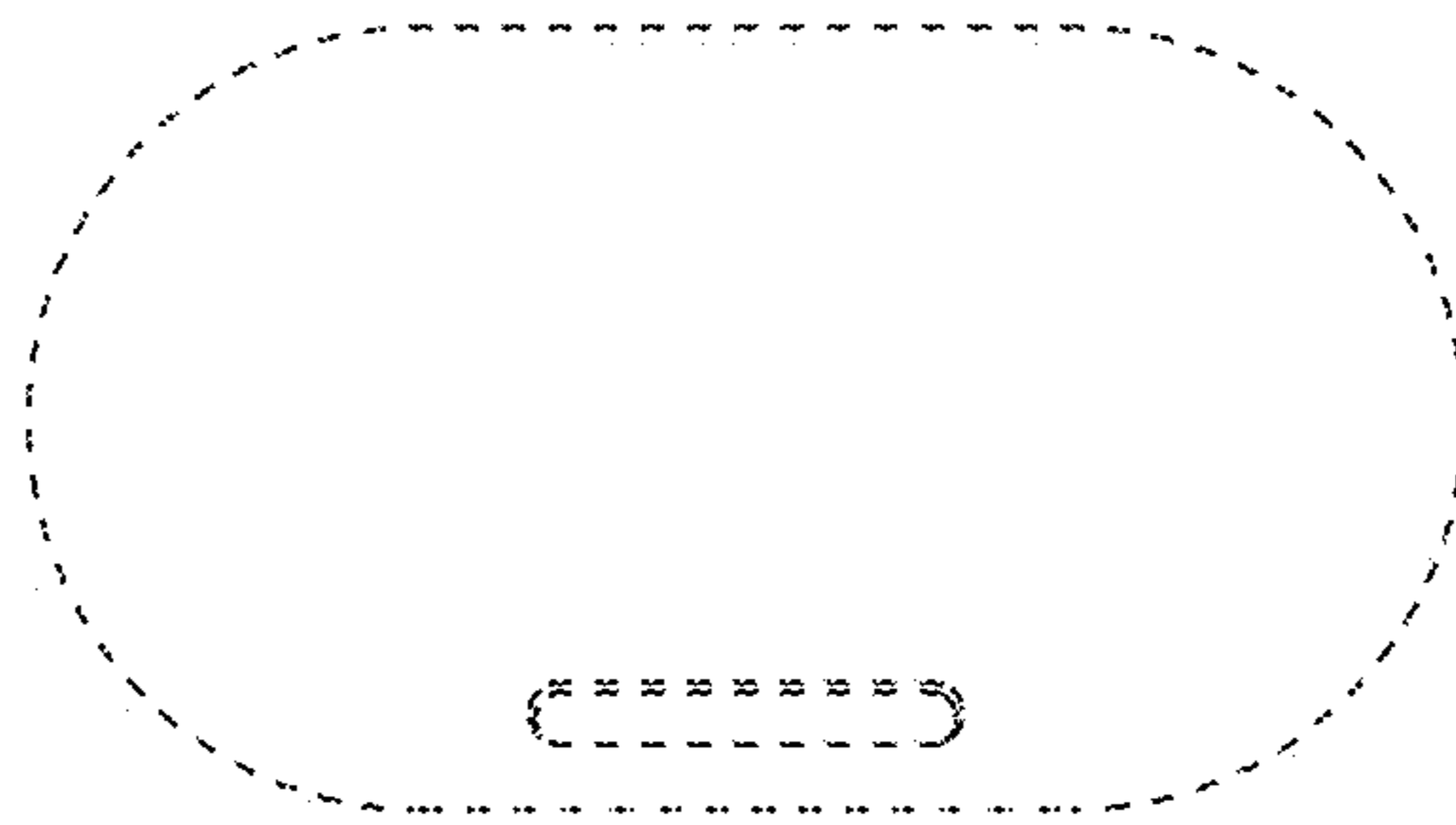


FIG. 7

