



US00D987173S

(12) **United States Design Patent**
Peirce et al.

(10) **Patent No.:** **US D987,173 S**

(45) **Date of Patent:** **** May 23, 2023**

(54) **SMOKING DEVICE**

(71) Applicant: **GRAVITRON, LLC**, Austin, TX (US)

(72) Inventors: **Stephan Peirce**, Austin, TX (US);
Micah Evans, Austin, TX (US); **Travis Dodson**, Austin, TX (US)

(73) Assignee: **GRAVITRON, LLC**, Austin, TX (US)

(**) Term: **15 Years**

(21) Appl. No.: **29/769,290**

(22) Filed: **Feb. 4, 2021**

Related U.S. Application Data

(63) Continuation of application No. 29/679,052, filed on Feb. 1, 2019, now Pat. No. Des. 910,230.

(51) **LOC (14) Cl.** **27-02**

(52) **U.S. Cl.**
USPC **D27/162**

(58) **Field of Classification Search**
USPC D27/100, 163, 167, 169, 170, 194;
D24/113, 114

CPC A24F 1/00; A24F 1/18; A24F 1/22; A24F 1/28; A24F 1/32; A24F 7/00; A24F 7/02

See application file for complete search history.

(56) **References Cited**

U.S. PATENT DOCUMENTS

D644,714 S *	9/2011	Mauchle	D23/213
D652,571 S	1/2012	Shenassa et al.		
D688,415 S	8/2013	Kim		
D714,435 S *	9/2014	Maguire	D24/110
D723,216 S	2/2015	Chen		
D724,779 S	3/2015	Liu		
D735,787 S *	8/2015	Hassan	D15/144
D761,487 S *	7/2016	Han	D27/162
D790,122 S	6/2017	Hawes et al.		

D813,448 S	3/2018	Servutas		
D814,103 S	3/2018	Levinson		
9,968,127 B2	5/2018	Han		
D828,549 S	9/2018	Gonzalez		
D855,881 S	8/2019	Hawes et al.		
D861,242 S *	9/2019	Han	D27/162
D865,278 S	10/2019	Chen et al.		
D869,750 S	12/2019	Zhang		
D869,751 S	12/2019	Zhang		
10,548,346 B2	2/2020	Wrobel		
D894,477 S	8/2020	Peirce et al.		
D901,755 S *	11/2020	Peirce	D27/101
D910,230 S *	2/2021	Peirce	D27/101

(Continued)

OTHER PUBLICATIONS

Davis, Austin G., "Pre-Packs" Word Mark, Trademark Registration No. 5,799,351 registered on Jul. 9, 2019, filed Dec. 6, 2018, two pages.

(Continued)

Primary Examiner — Rebecca Tsehaye

(74) *Attorney, Agent, or Firm* — Dickinson Wright PLLC

(57) **CLAIM**

The ornamental design for a smoking device, substantially as shown and described.

DESCRIPTION

FIG. 1 is a perspective view of a smoking device showing our new design.

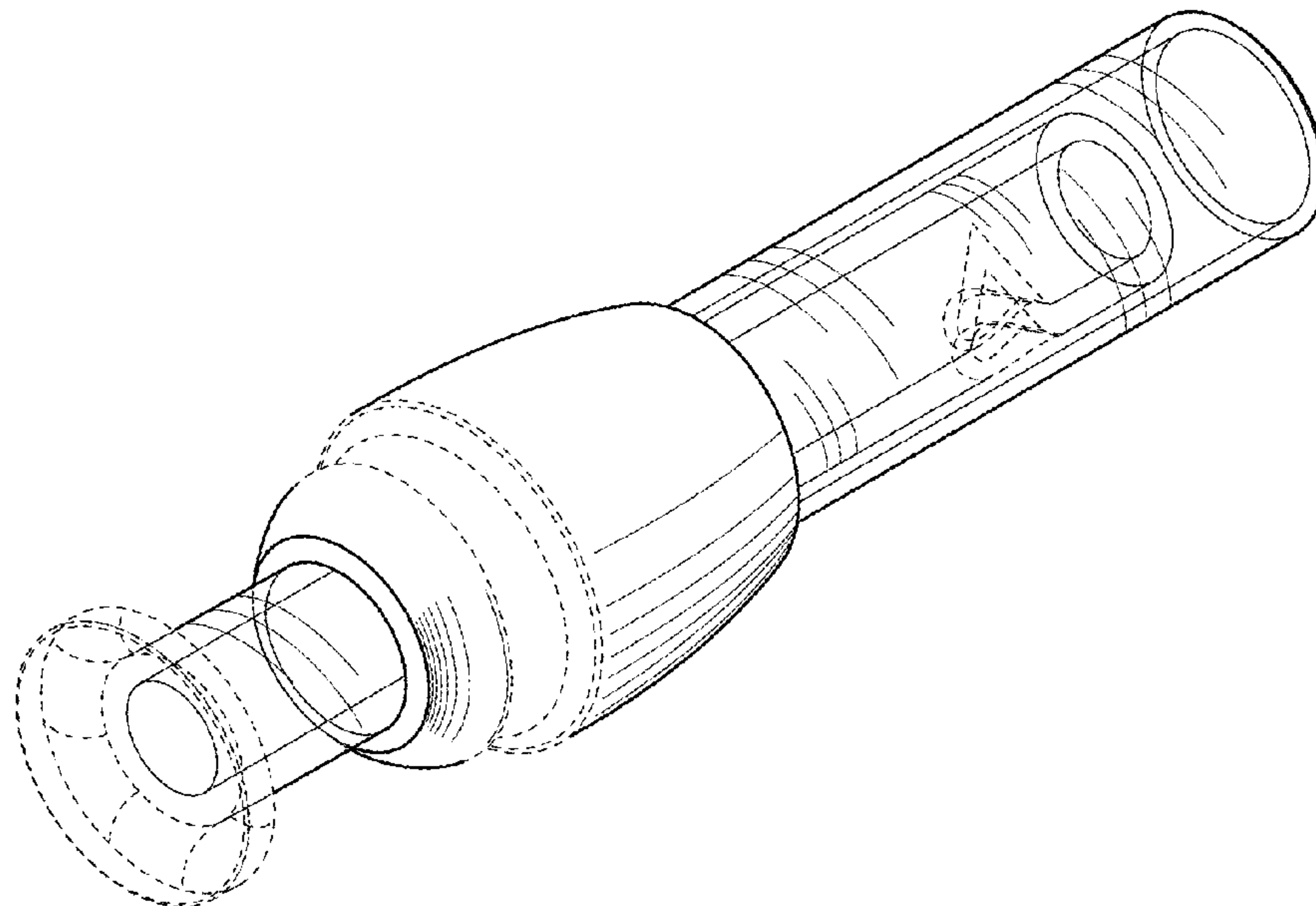
FIG. 2 is a side view of the smoking device of FIG. 1.

FIG. 3 is another side view of the smoking device of FIG. 1.

FIG. 4 is a front view of the smoking device of FIG. 1; and, FIG. 5 is a rear view of the smoking device of FIG. 1.

The broken lines in the drawings depict portions of the smoking device that form no part of the claimed design.

1 Claim, 2 Drawing Sheets



(56)

References Cited

U.S. PATENT DOCUMENTS

D917,691 S * 4/2021 Hamilton A61B 5/097
D24/224
D937,481 S * 11/2021 Cordova D27/163
D938,643 S * 12/2021 Dodson D27/162
D940,384 S * 1/2022 Dodson D27/162
D940,385 S * 1/2022 Dodson D27/162
11,266,179 B2 * 3/2022 Peirce A24F 1/32
2020/0253271 A1 * 8/2020 Peirce A24F 7/00
2021/0219604 A1 * 7/2021 Dodson A24F 1/28

OTHER PUBLICATIONS

<http://www.science.com/products/grav-4in-glass-blunt>.

* cited by examiner

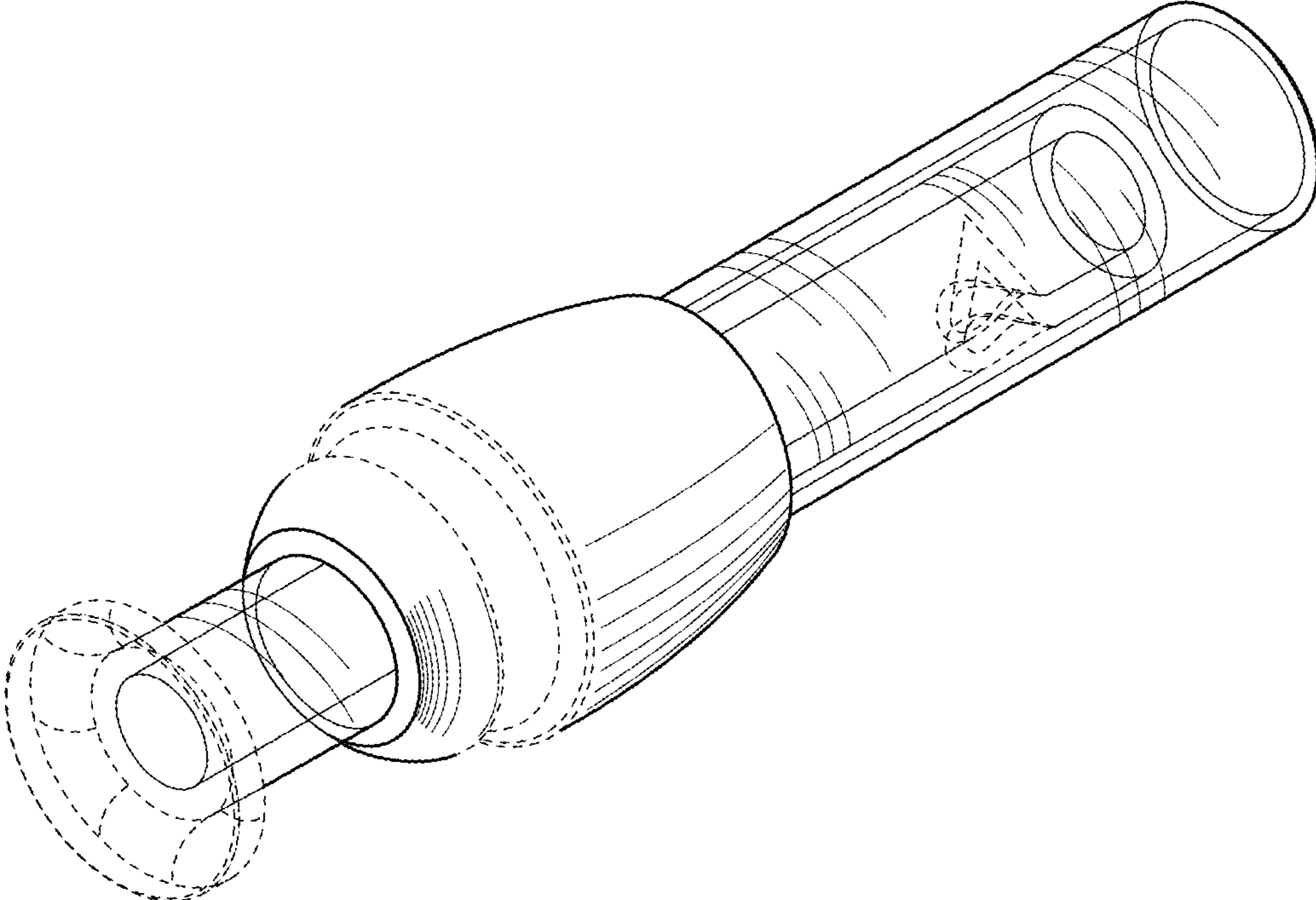


FIG. 1

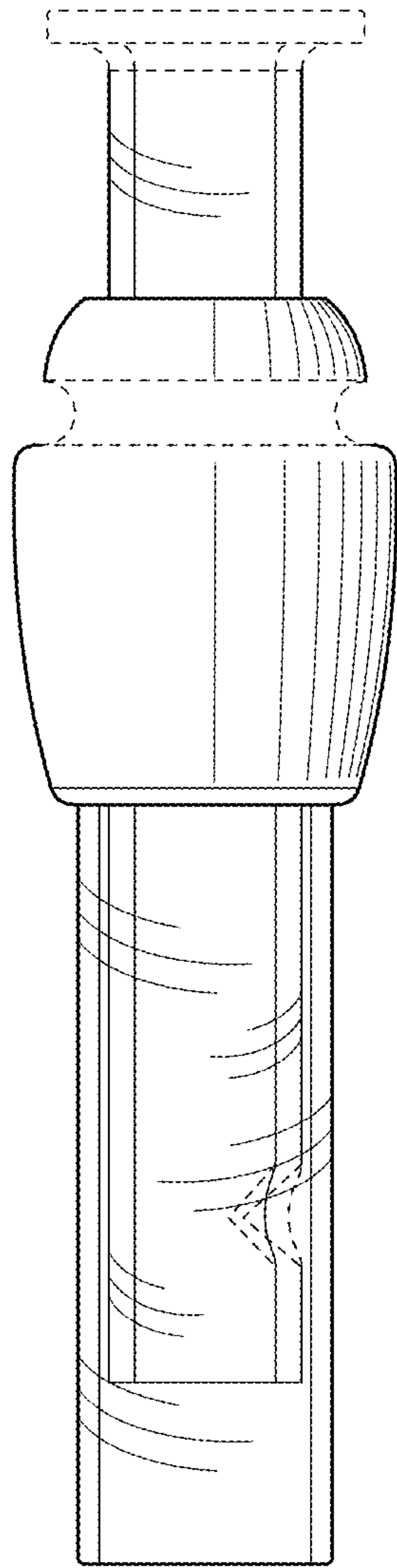


FIG. 2

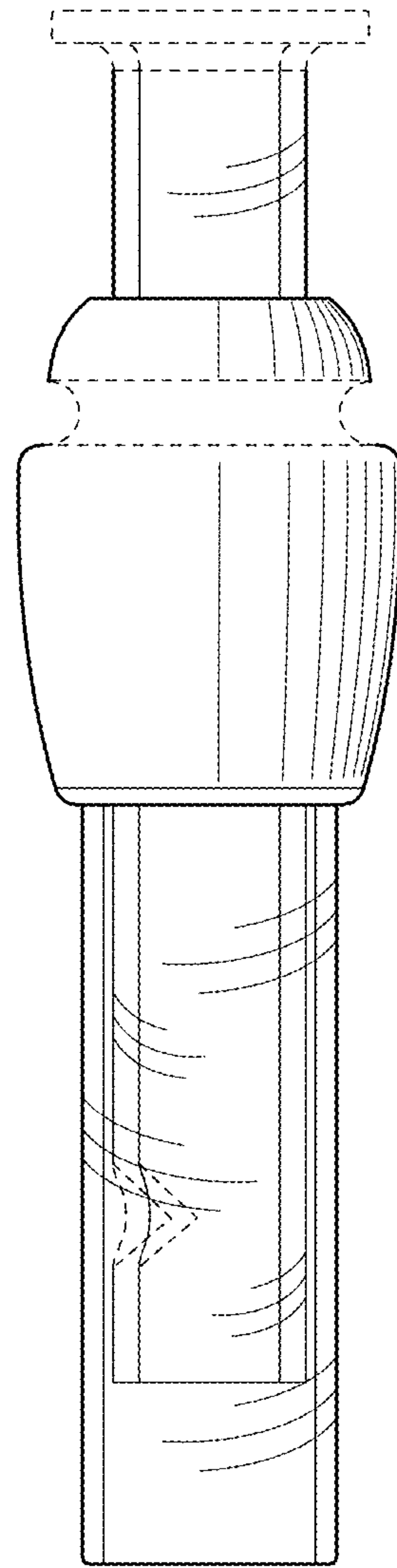


FIG. 3

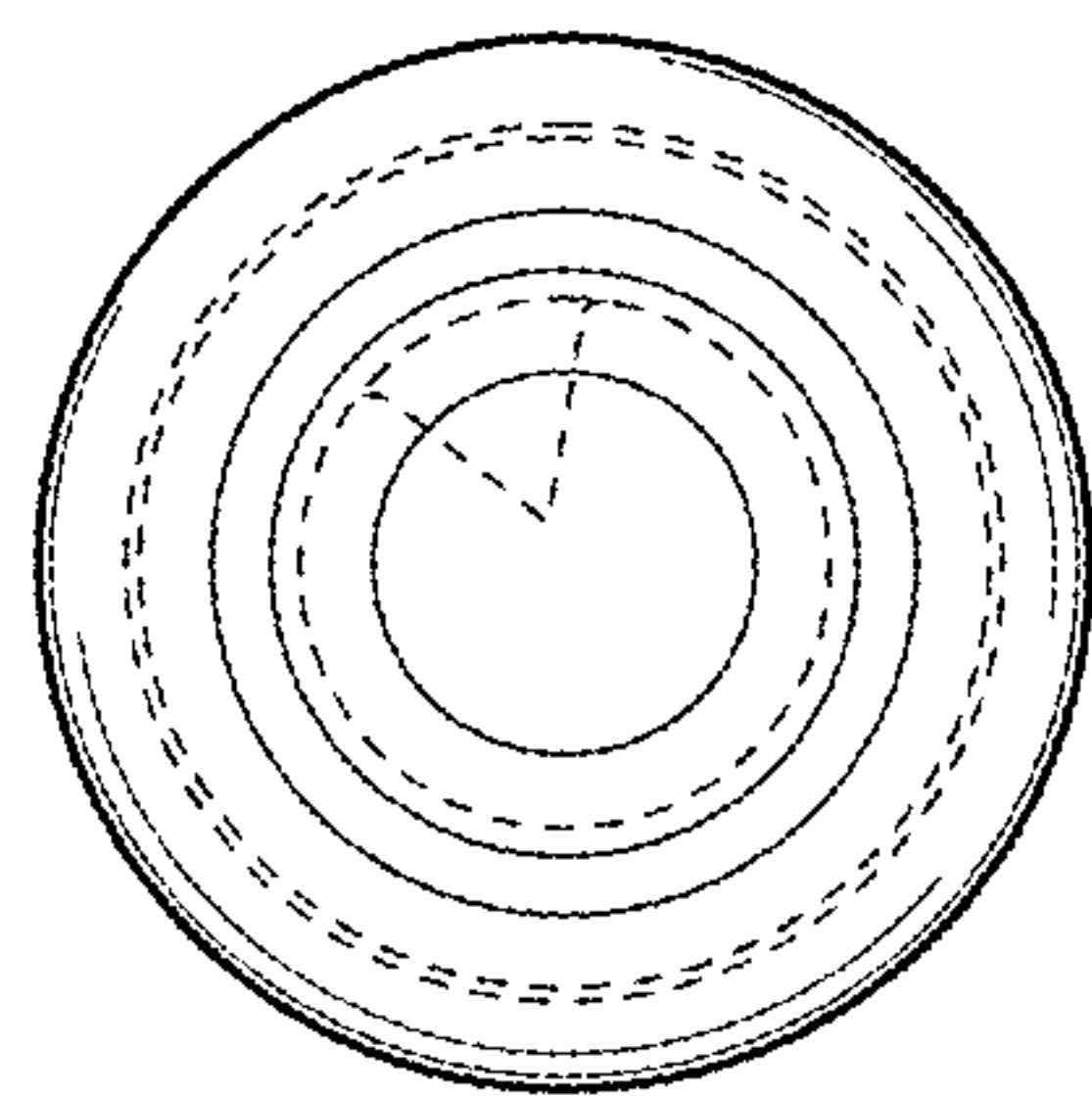


FIG. 4

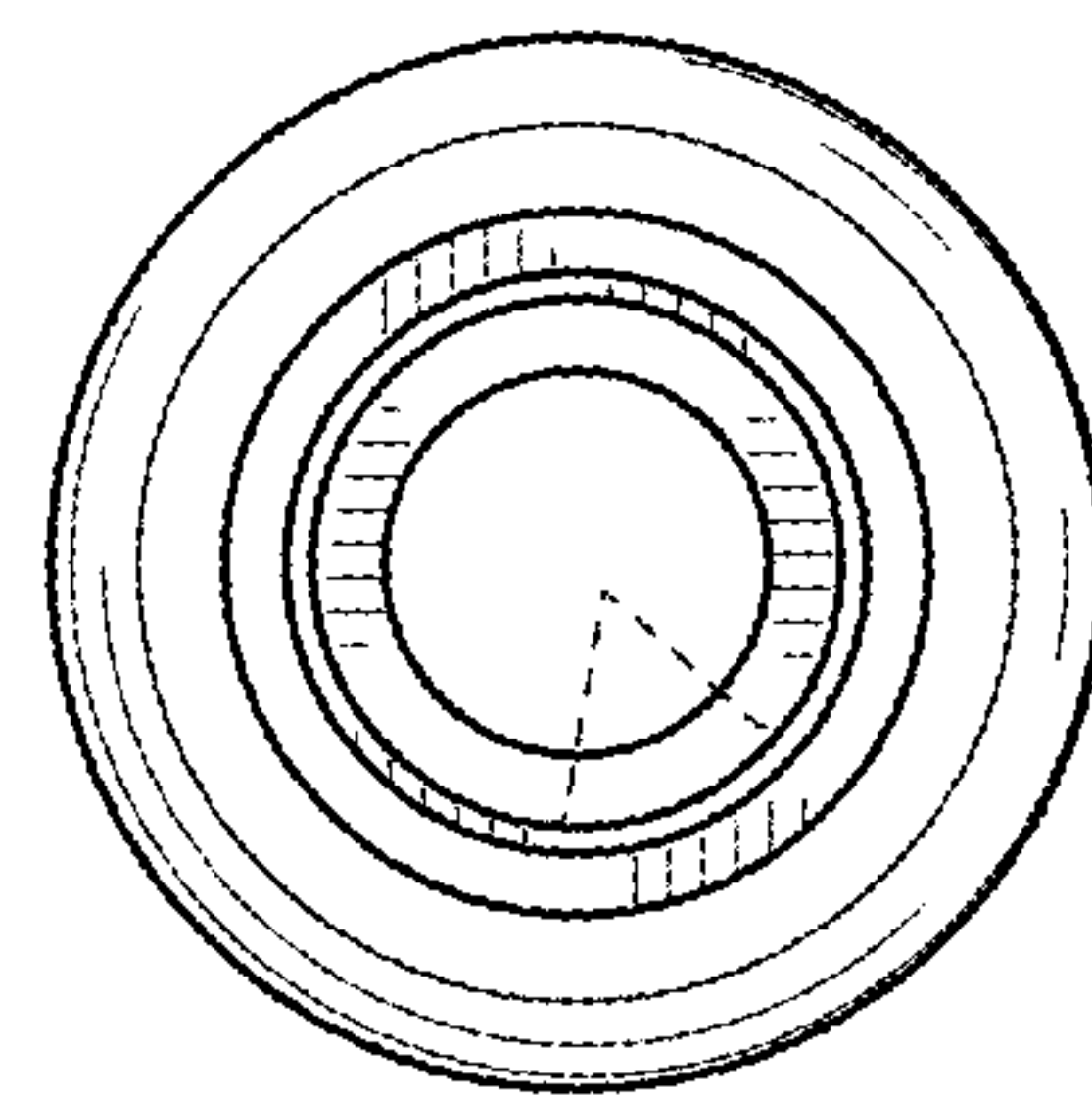


FIG. 5