



US00D987170S

(12) **United States Design Patent** (10) **Patent No.:** **US D987,170 S**
Stanley (45) **Date of Patent:** **** May 23, 2023**

(54) **HORTICULTURE GROW LIGHT**

FOREIGN PATENT DOCUMENTS

(71) Applicant: **HGCI, Inc.**, Las Vegas, NV (US)

CN 303161616 S 4/2015
CN 303469593 S 11/2015

(72) Inventor: **John Stanley**, Vancouver, WA (US)

(73) Assignee: **HGCI, Inc.**, Las Vegas, NV (US)

(**) Term: **15 Years**

(21) Appl. No.: **29/709,319**

(22) Filed: **Oct. 14, 2019**

OTHER PUBLICATIONS

Horticultural Lighting, image post date Sep. 2008, site visited Sep. 30, 2015, (online), <<http://www.dendroboard.com/forum/sponsor-classifieds/104681-grow-your-own-plants-horticulture-neherp.html>>.

(Continued)

Primary Examiner — Natasha Vujcic

(74) *Attorney, Agent, or Firm* — Ulmer & Berne LLP

(57) **CLAIM**

The ornamental design for a horticulture grow light, as shown and described.

DESCRIPTION

FIG. 1 is a perspective view of a horticulture grow light, as viewed from below, showing my new design;
FIG. 2 is a perspective view of the grow light shown in FIG. 1, as viewed from above;
FIG. 3 is a left side view of the light shown in FIG. 1;
FIG. 4 is a right side view of the light shown in FIG. 1;
FIG. 5 is a front elevation view of the light shown in FIG. 1;
FIG. 6 is a rear elevation view of the light shown in FIG. 1;
FIG. 7 is a top plan view of the light shown in FIG. 1;
FIG. 8 is a bottom plan view of the light shown in FIG. 1;
FIG. 9 is a perspective view of a rear end cap and hanger of the light shown in FIG. 1;
FIG. 10 is a perspective view of the rear end cap shown in FIG. 9; and,
FIG. 11 is a perspective sectional view, taken from the cutline shown in FIG. 10, of the rear end cap.
The broken-line disclosure shown in the views is understood to represent portions of the article in which the claimed design is embodied, but which form no part of the claimed design.

Related U.S. Application Data

(63) Continuation of application No. 29/590,390, filed on Jan. 10, 2017, now Pat. No. Des. 863,660, which is a
(Continued)

(51) **LOC (14) Cl.** **26-05**

(52) **U.S. Cl.**
USPC **D26/138**

(58) **Field of Classification Search**
USPC D26/72, 74, 76, 78-83, 85, 86, 88, 90,
D26/93, 111, 113, 118, 119, 120, 121,
D26/122, 138, 139, 140, 141, 142, 152;
D8/367, 373, 380
CPC F21S 2/00; F21S 4/00; F21S 4/003; F21S
4/005; F21S 4/006; F21S 4/007; F21S
4/008; F21S 6/00; F21S 8/00; F21S
8/024; F21S 8/026; F21S 8/031; F21S
8/033; F21S

(Continued)

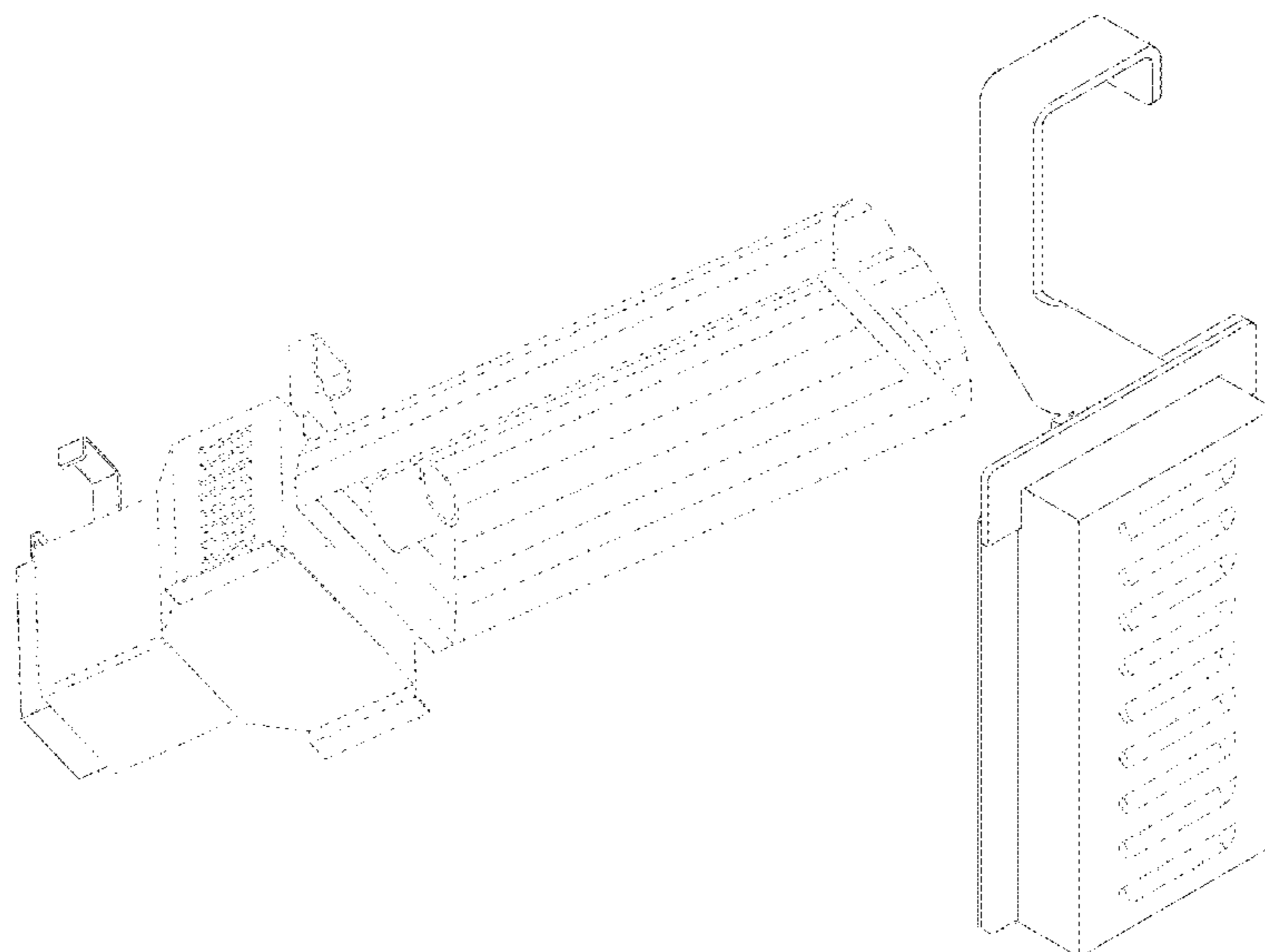
(56) **References Cited**

U.S. PATENT DOCUMENTS

D106,614 S 10/1937 Waterbury
D123,768 S 12/1940 Scribner

(Continued)

1 Claim, 10 Drawing Sheets



Related U.S. Application Data

continuation of application No. 29/492,971, filed on Jun. 4, 2014, now Pat. No. Des. 779,703.

- (58) **Field of Classification Search**
 CPC 8/035-037; F21S 8/04; F21S 8/043; F21S 8/063
 See application file for complete search history.

References Cited

U.S. PATENT DOCUMENTS

D132,786 S 6/1942 Netting
 D133,216 S 7/1942 Parlato
 D135,375 S 3/1943 Biller
 2,339,100 A 1/1944 Netting
 D143,061 S 12/1945 Creed
 D156,014 S 11/1949 Lazerson
 2,740,883 A 4/1956 Kruger
 2,740,885 A 4/1956 Kruger
 3,272,978 A 9/1966 Jackson
 D237,236 S 10/1975 Green
 4,363,371 A 12/1982 Hutchinson
 D268,287 S 3/1983 Boschetti
 D274,978 S * 8/1984 Preisler D8/349
 4,531,180 A 7/1985 Hernandez
 4,779,178 A 10/1988 Spitz
 4,814,954 A 3/1989 Spitz
 4,933,821 A 6/1990 Anderson
 D311,597 S 10/1990 Poot
 D323,897 S 2/1992 Compton
 5,253,152 A 10/1993 Yang et al.
 D352,126 S 11/1994 Ruud et al.
 5,453,180 A 9/1995 Henriksson
 D377,234 S 1/1997 Roberts
 D382,464 S * 8/1997 McCoy D8/373
 D413,176 S 8/1999 Mier-Langer
 D418,238 S * 12/1999 Offiler D26/42
 6,053,624 A 4/2000 Cronk
 D428,516 S 7/2000 Reo
 6,152,579 A 11/2000 Reed et al.
 D447,272 S 8/2001 Smith
 D456,938 S 5/2002 Wardenburg
 D459,825 S 7/2002 Field
 D465,049 S 10/2002 Ludwig
 D469,564 S 1/2003 Brok
 6,527,422 B1 3/2003 Hutchison
 6,595,662 B2 7/2003 Wardenburg
 D494,454 S * 8/2004 Klein D8/373
 6,988,816 B2 1/2006 Witkowski
 D542,460 S 5/2007 Hargreaves
 D543,652 S 5/2007 Hargreaves
 D543,654 S 5/2007 Hargreaves
 D544,131 S 6/2007 Blackman
 D544,139 S 6/2007 Hargreaves
 D544,626 S 6/2007 Hargreaves
 D544,983 S 6/2007 Hargreaves
 D544,984 S 6/2007 Hargreaves
 D544,985 S 6/2007 Hargreaves
 D544,987 S 6/2007 Hargreaves
 D544,994 S 6/2007 Hargreaves
 D544,995 S 6/2007 Hargreaves
 D545,484 S 6/2007 Hargreaves
 D545,485 S 6/2007 Hargreaves
 D545,994 S 7/2007 Hargreaves
 D586,030 S 2/2009 Genova
 7,524,090 B2 4/2009 Hargreaves
 7,534,011 B2 5/2009 Townsley
 D603,087 S 10/2009 Mo et al.
 7,641,367 B2 1/2010 Hargreaves et al.
 D613,900 S 4/2010 Hargreaves et al.
 D614,801 S 4/2010 Collins et al.
 7,722,208 B1 5/2010 Dupre et al.
 7,722,228 B2 5/2010 Broer
 D627,919 S * 11/2010 Trice D26/121
 D633,640 S 3/2011 Wauters
 D634,060 S 3/2011 Wardenburg

D634,468 S 3/2011 Hargreaves
 D634,469 S 3/2011 Hargreaves
 D637,162 S 5/2011 Bridgman
 D637,752 S 5/2011 Mekhtarian
 7,959,331 B2 6/2011 Ho
 7,972,044 B2 7/2011 Burkhauser
 D660,133 S * 5/2012 Yoder D8/354
 D661,833 S 6/2012 Imajo et al.
 8,209,912 B2 7/2012 Hargreaves et al.
 D669,204 S 10/2012 Snell et al.
 D670,850 S 11/2012 Helenowski
 D672,911 S 12/2012 Mayfield, III et al.
 D675,369 S 1/2013 Michaud
 8,348,481 B2 1/2013 Chang
 D676,185 S 2/2013 Piegras et al.
 D678,599 S 3/2013 Boyer et al.
 D683,064 S 5/2013 Tuck
 D693,959 S 11/2013 Boyer et al.
 D698,986 S 2/2014 Reynolds
 D698,987 S 2/2014 Stanley
 D717,636 S * 11/2014 Stanley D8/363
 8,905,575 B2 12/2014 Durkee et al.
 D725,819 S 3/2015 Reynolds
 8,998,473 B1 4/2015 Anderson
 9,010,970 B2 4/2015 Guercio et al.
 9,016,907 B2 4/2015 Stanley
 D731,701 S 6/2015 Hargreaves
 D732,233 S 6/2015 Reynolds
 D732,235 S 6/2015 Reynolds
 D732,236 S 6/2015 Reynolds
 D736,450 S 8/2015 Reynolds
 D737,134 S 8/2015 Thompson
 D737,498 S 8/2015 Stanley
 9,100,209 B2 8/2015 Steindl
 9,110,209 B2 8/2015 Blessitt et al.
 D739,595 S 9/2015 Reynolds
 D740,486 S 10/2015 Stanley
 D743,072 S * 11/2015 Cooper D26/37
 D747,029 S 1/2016 Reynolds
 D748,849 S 2/2016 Stanley
 D748,850 S 2/2016 Johnson et al.
 D750,303 S * 2/2016 Levy D26/37
 D750,312 S 2/2016 Reynolds
 D750,316 S 2/2016 Reynolds
 D751,244 S 3/2016 Reynolds
 D751,247 S 3/2016 Reynolds
 9,279,550 B2 3/2016 Torabifard et al.
 D757,323 S 5/2016 Reynolds
 D762,320 S 7/2016 Reynolds
 D765,306 S 8/2016 Wardenburg et al.
 D767,193 S 9/2016 Jung
 9,453,639 B2 9/2016 Mandy et al.
 D769,514 S 10/2016 Reynolds
 D770,670 S 11/2016 Reynolds
 D770,671 S 11/2016 Reynolds
 D775,405 S 12/2016 Stanley
 D778,475 S * 2/2017 Bao D26/65
 D778,476 S * 2/2017 Bao D26/65
 D779,312 S * 2/2017 Stanley D8/373
 D779,703 S 2/2017 Stanley
 D780,985 S 3/2017 Stanley
 D783,888 S 4/2017 Reynolds
 D797,351 S 9/2017 Stanley
 D797,352 S 9/2017 Stanley
 D797,353 S 9/2017 Stanley
 D804,710 S 12/2017 Stanley
 D811,647 S 2/2018 Stanley
 D812,282 S 3/2018 Reynolds
 D814,085 S * 3/2018 Ohara D26/41
 D814,687 S 4/2018 Stanley
 D825,096 S 8/2018 Reynolds
 D825,826 S 8/2018 Stanley
 D825,827 S 8/2018 Stanley
 D831,265 S 10/2018 Stanley
 D837,442 S 1/2019 Reynolds
 D838,033 S 1/2019 Xiong
 D839,471 S 1/2019 Reynolds
 D847,410 S * 4/2019 Stanley D26/138
 D863,660 S 10/2019 Stanley

(56)

References Cited

U.S. PATENT DOCUMENTS

D901,061	S	*	11/2020	Stanley	D26/76
D925,816	S	*	7/2021	Geesaman	D26/138
D950,141	S	*	4/2022	Dong	D26/138
D954,338	S	*	6/2022	Stanley	D8/380
D956,533	S	*	7/2022	Sokoly	D8/371
2001/0023173	A1		9/2001	Schiedegger et al.		
2002/0141195	A1		10/2002	Peter		
2008/0205030	A1		8/2008	Hargreaves		
2008/0205071	A1		8/2008	Townsley		
2008/0219008	A1		9/2008	Schaefer et al.		
2008/0278950	A1		11/2008	Pickard et al.		
2009/0262540	A1		10/2009	Hargreaves et al.		
2009/0262543	A1		10/2009	Ho		
2009/0310373	A1		12/2009	Burkhauser		
2009/0323335	A1		12/2009	Yang et al.		
2012/0051041	A1		3/2012	Edmond et al.		
2013/0083539	A1		4/2013	Dimitriadis		
2015/0082692	A1		3/2015	Wardenburg et al.		
2015/0252993	A1		9/2015	Stanley		

OTHER PUBLICATIONS

Horticultural Lights, image post date Jul. 7, 2014, site visited Sep. 30, 2015 (online), <<http://web.archive.org/web/20140707223459/http://www.kindgreenbuds.com/cannabis-grow-bible/best-lighting-systems/>>.

Steel S Section, image post date Aug. 30, 2000, site visited Sep. 30, 2015 (online), <<http://web.archive.org/web/20000830093120/http://www.efunda.com/math/areas/RolledSteelBeamsS.cfm>>.

* cited by examiner

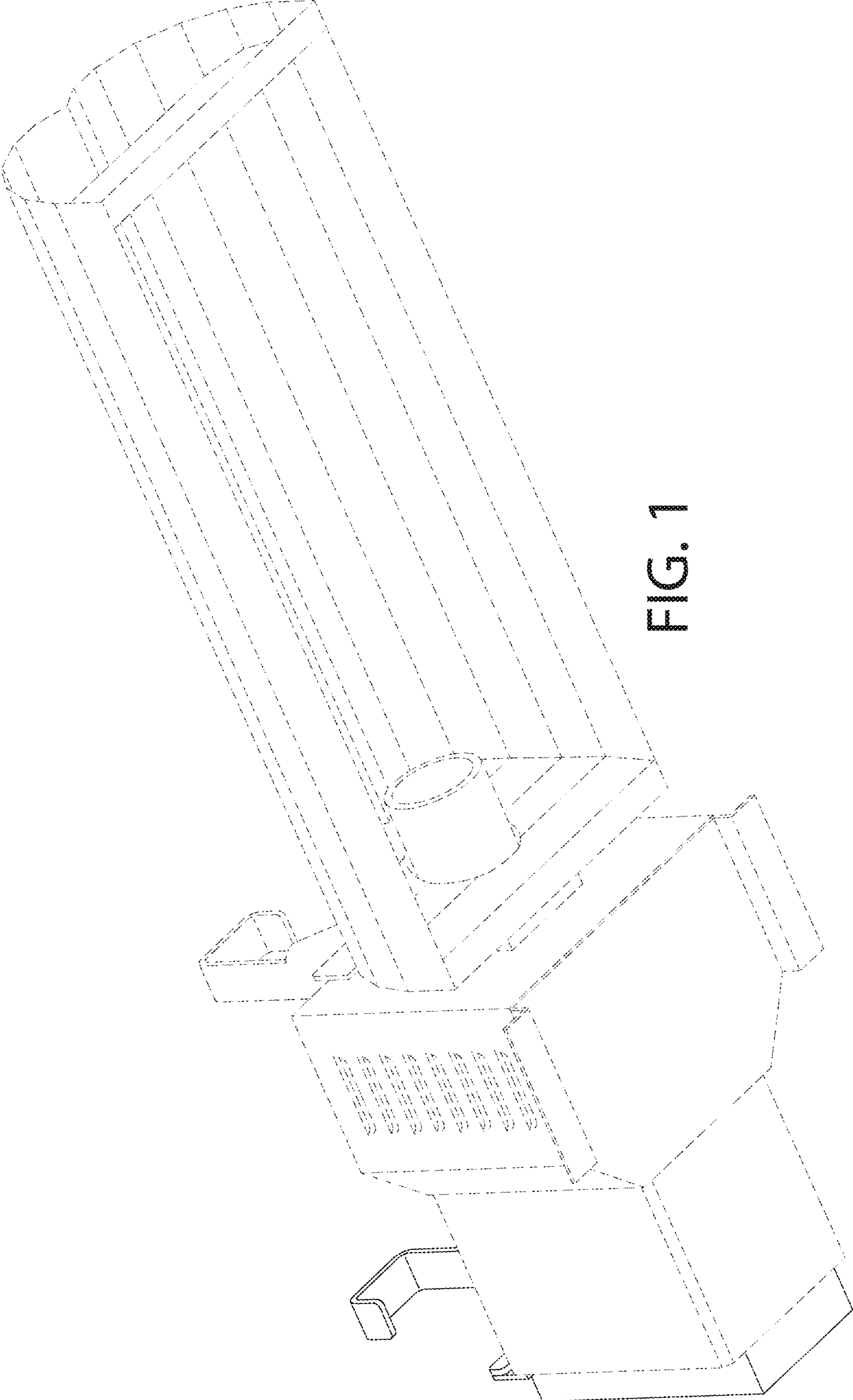


FIG. 1

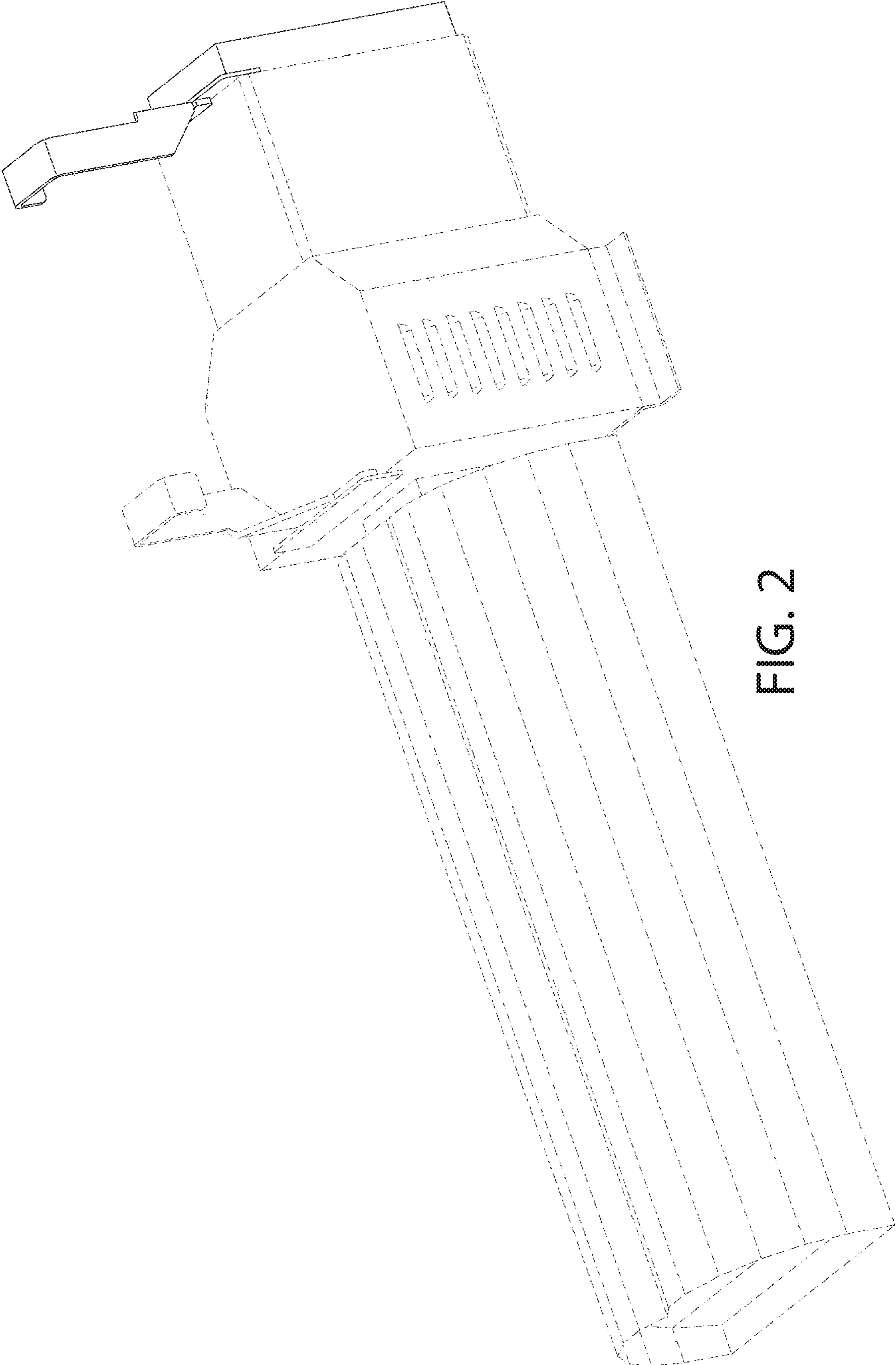


FIG. 2

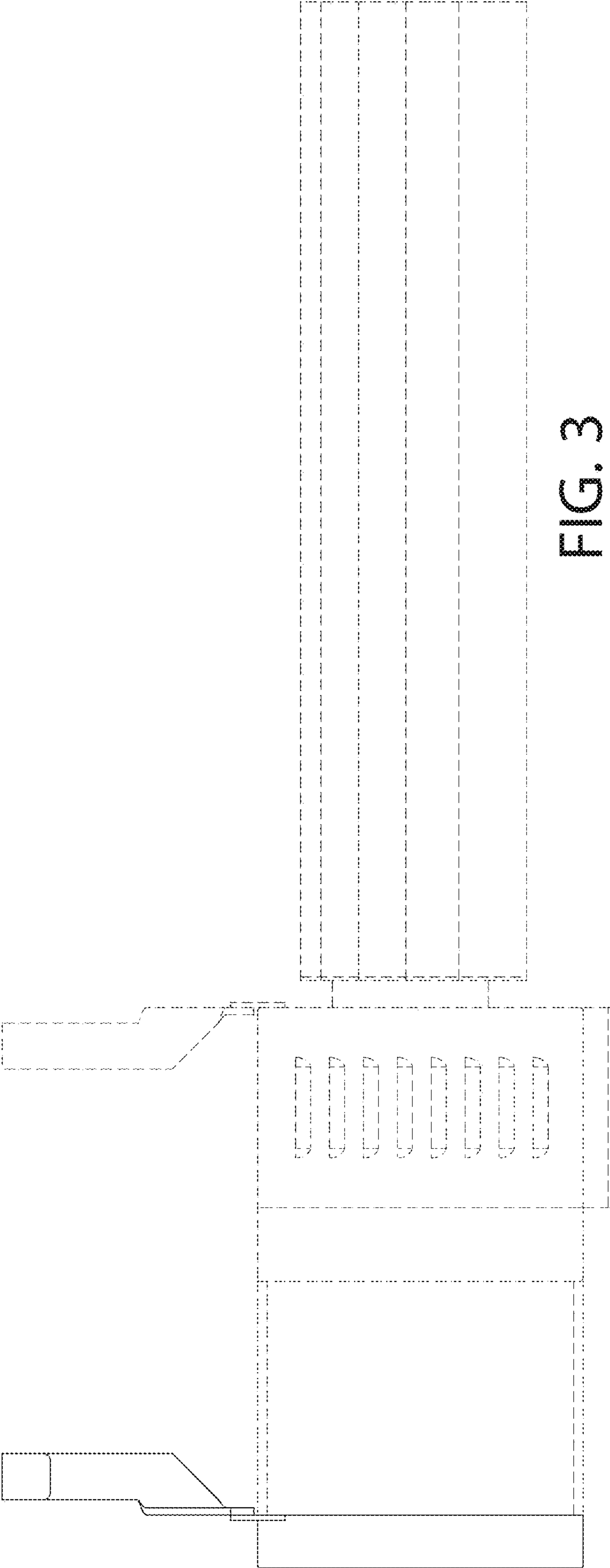


FIG. 3

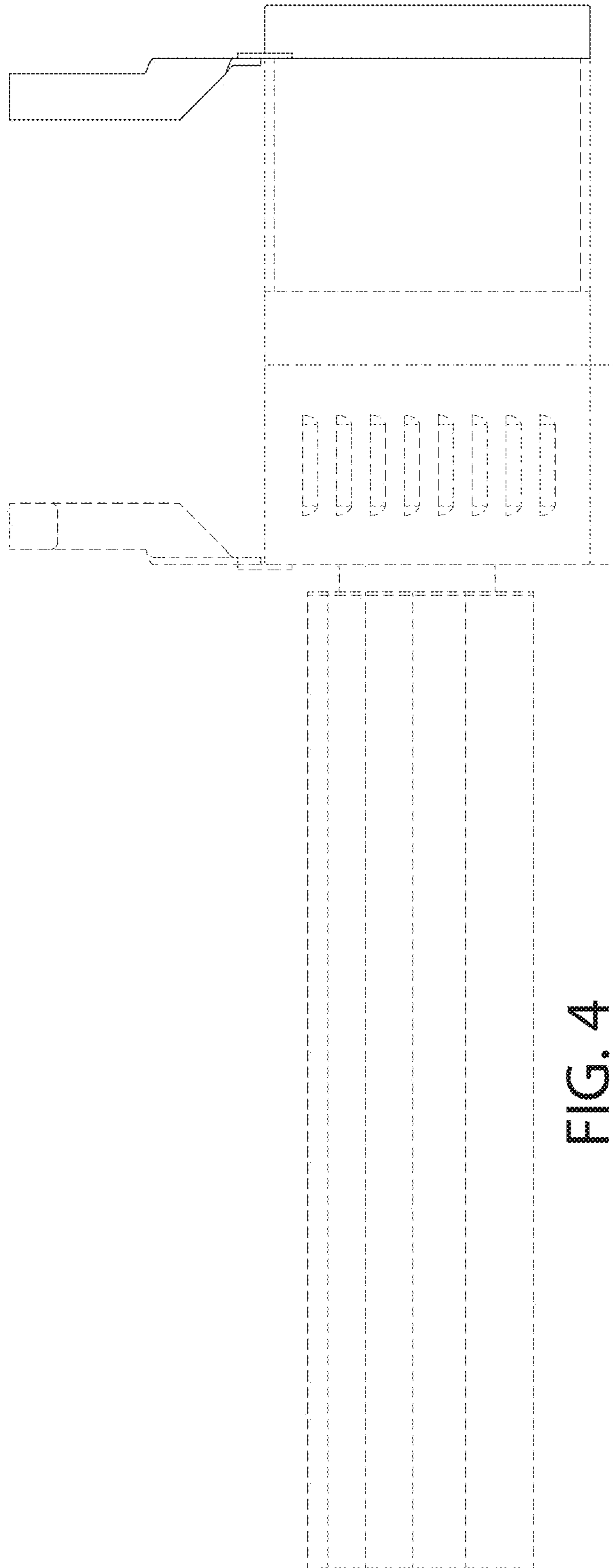


FIG. 4

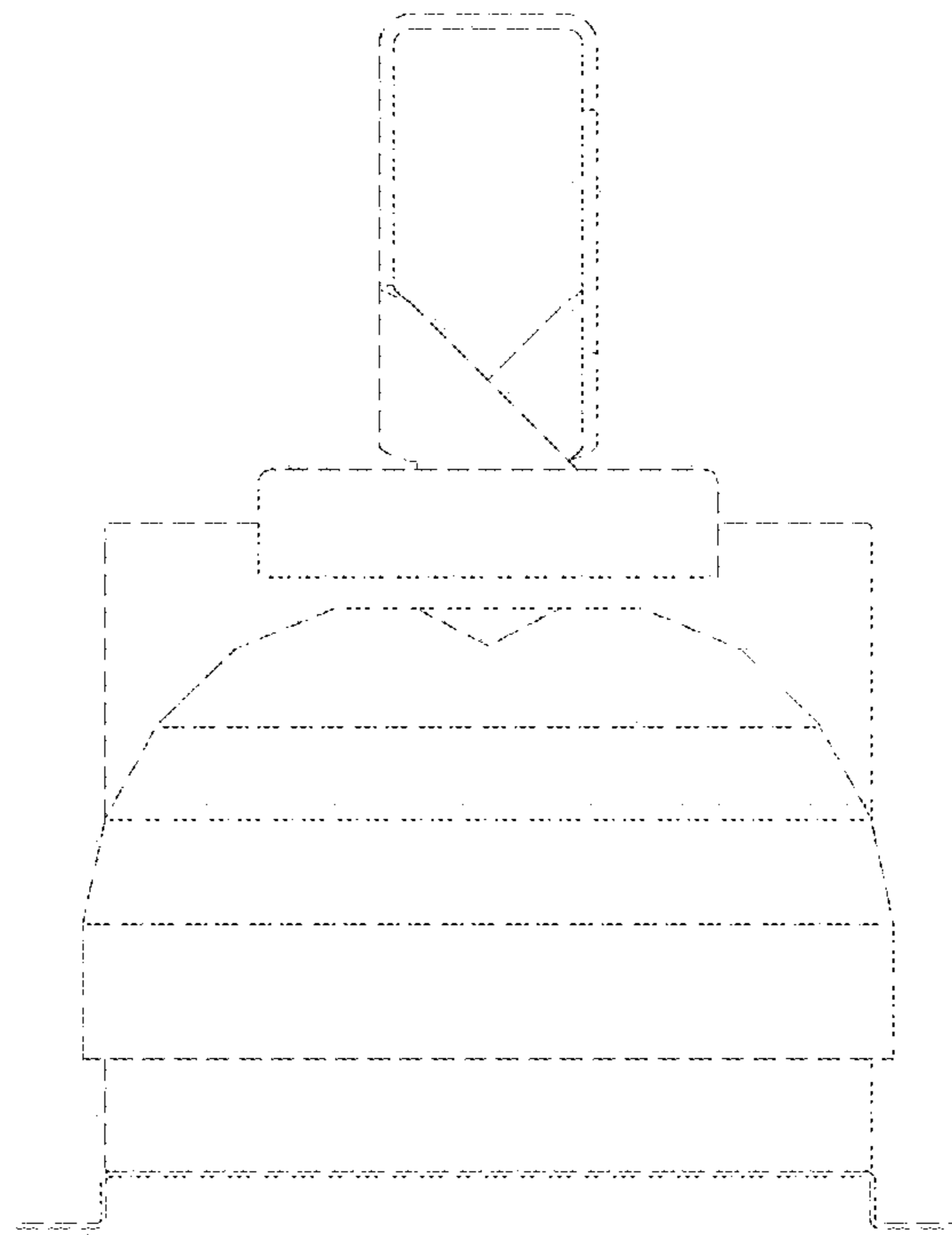


FIG. 5

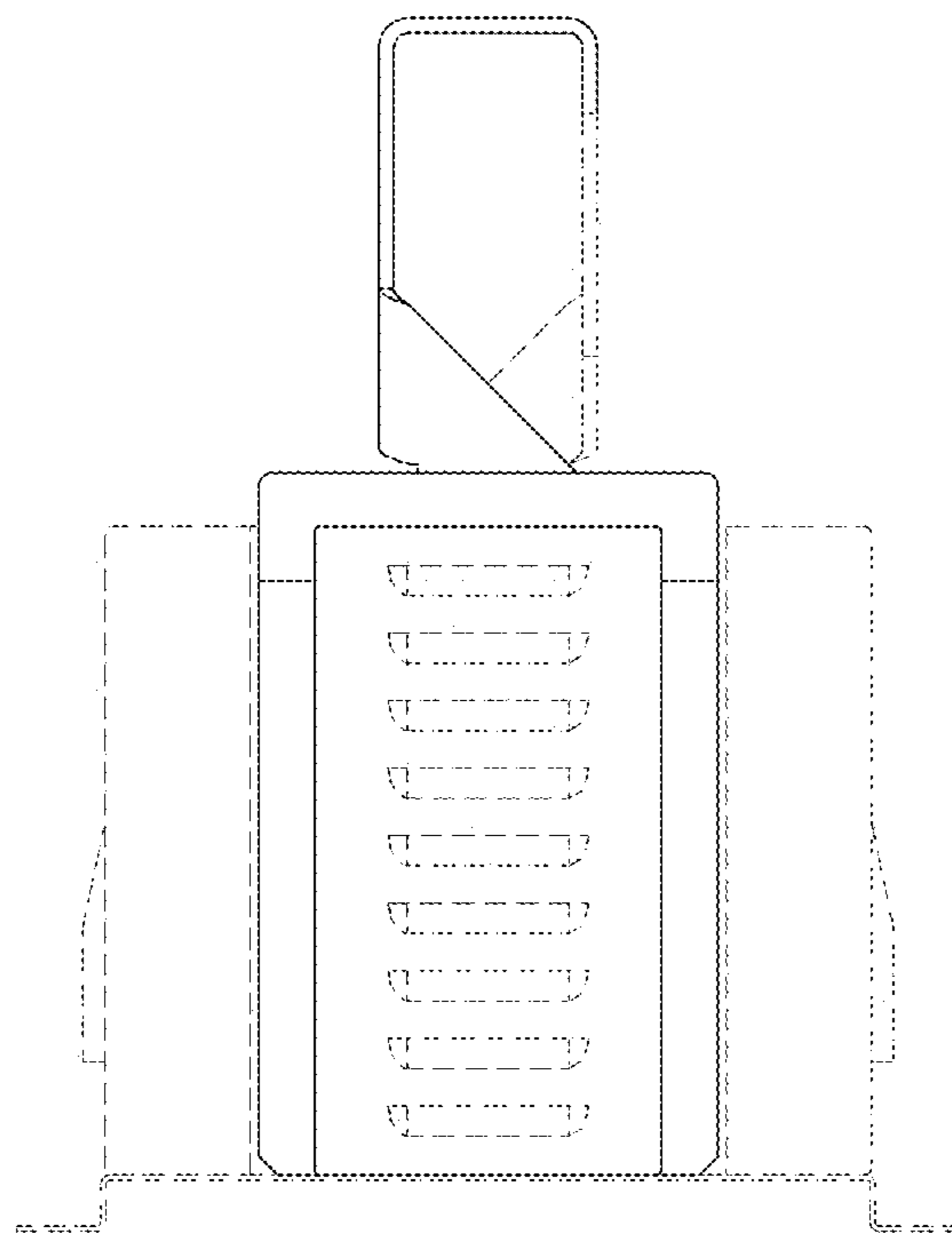


FIG. 6

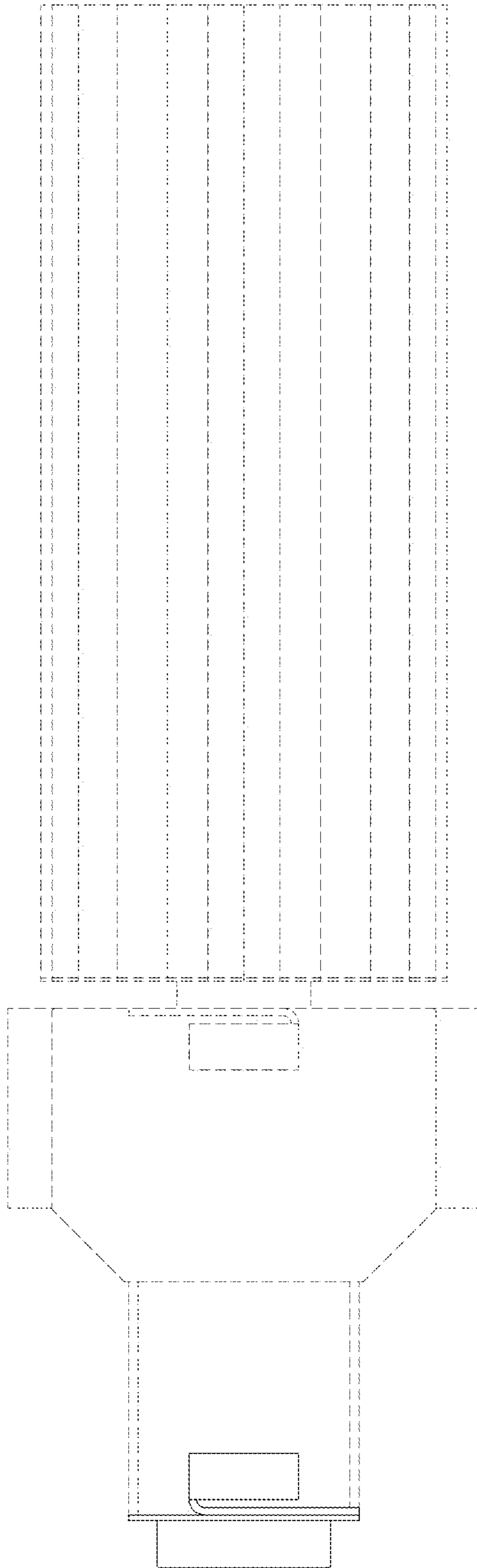


FIG. 7

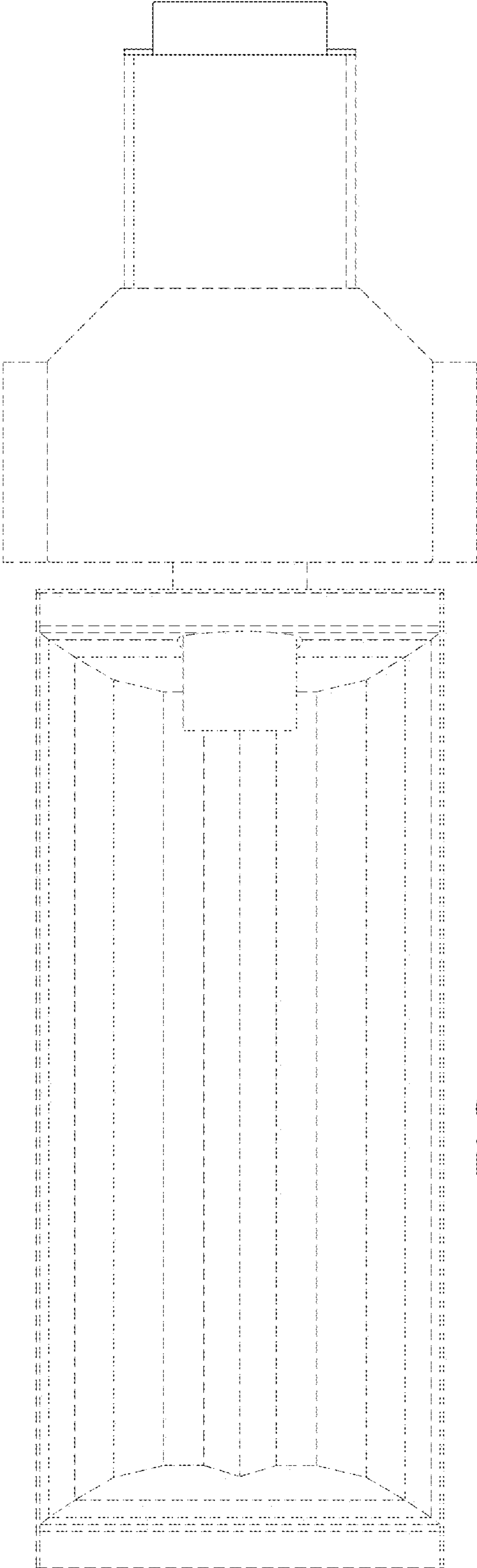


FIG. 8

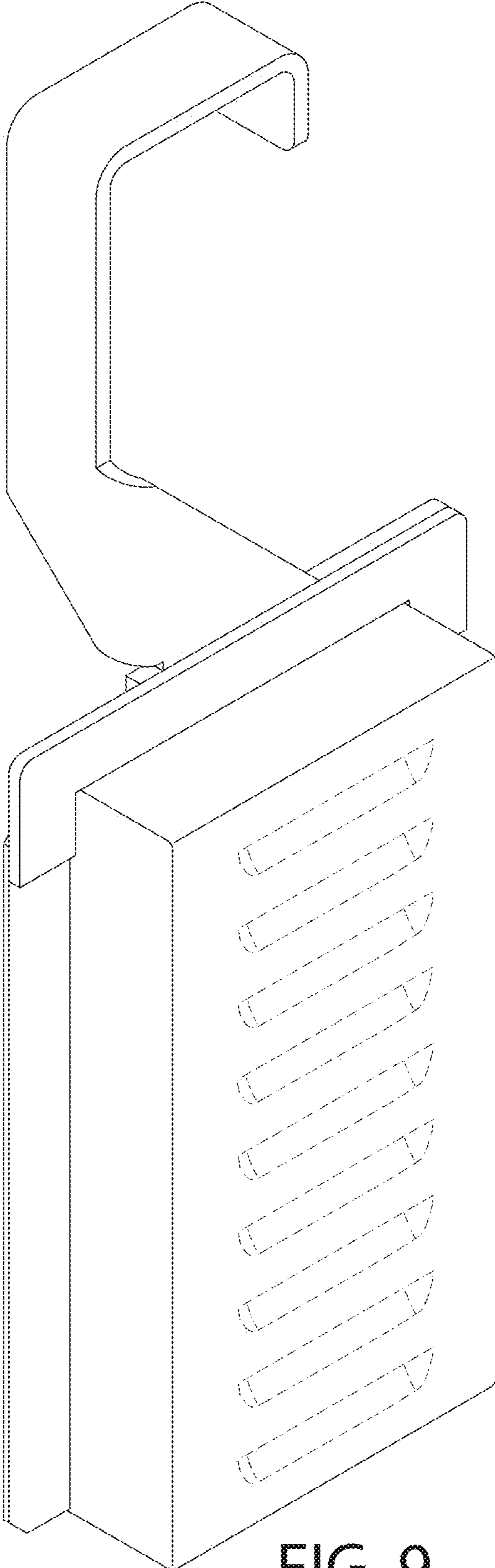


FIG. 9

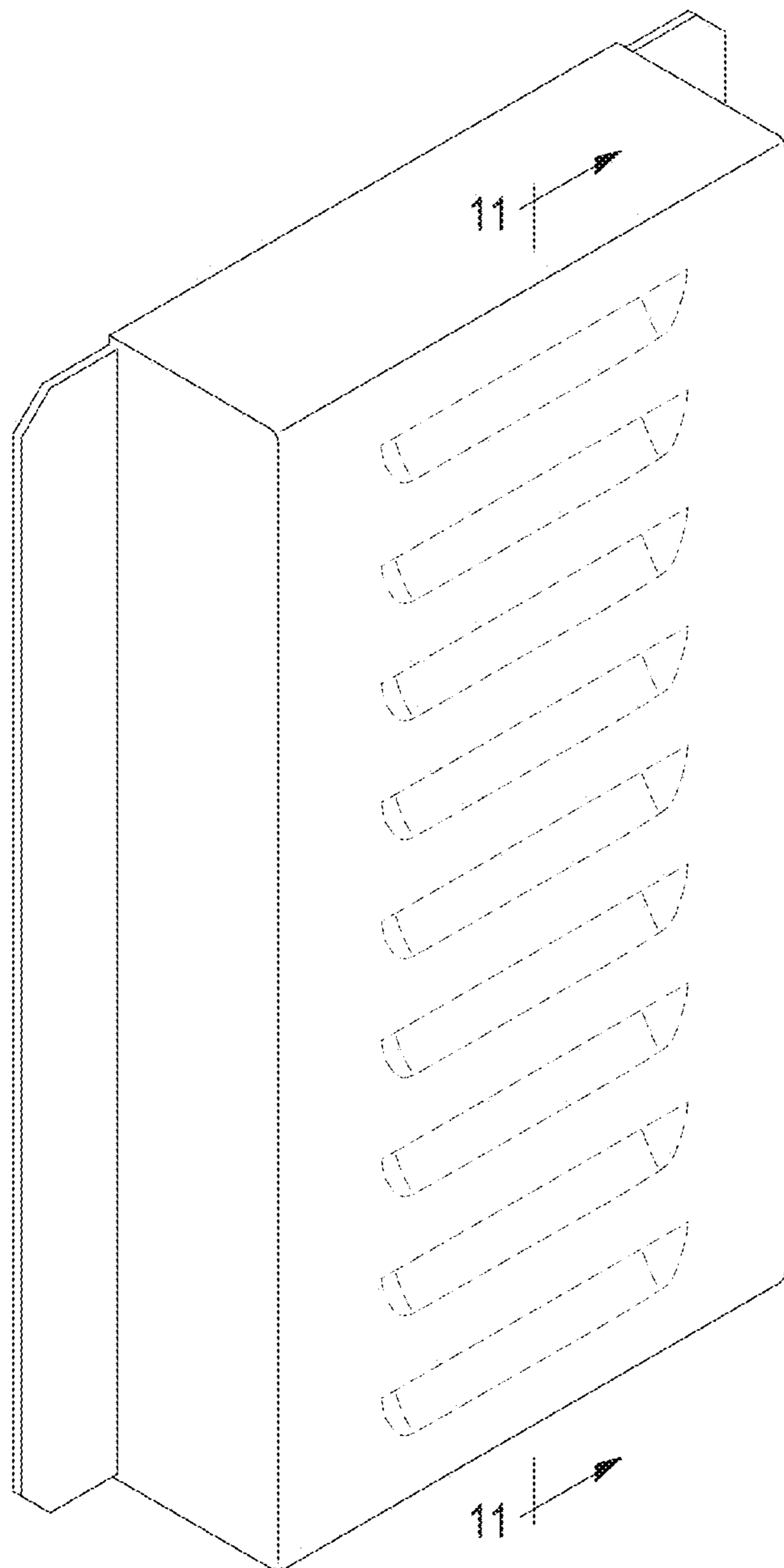


FIG. 10

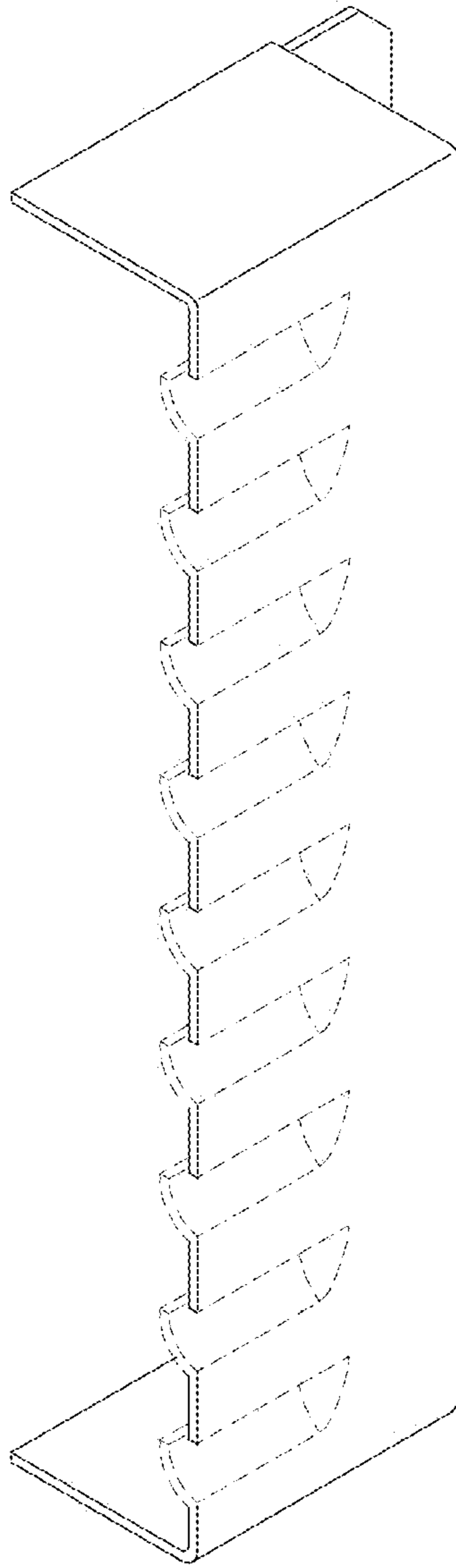


FIG. 11