



US00D987168S

(12) **United States Design Patent** (10) **Patent No.:** **US D987,168 S**
Reynolds (45) **Date of Patent:** **** May 23, 2023**

- (54) **LIGHT REFLECTOR**
- (71) Applicant: **HGCI, Inc.**, Las Vegas, NV (US)
- (72) Inventor: **Christopher Reynolds**, Vancouver, WA (US)
- (73) Assignee: **HGCI, Inc.**, Las Vegas, NV (US)
- (**) Term: **15 Years**
- (21) Appl. No.: **29/728,885**
- (22) Filed: **Mar. 23, 2020**

D156,014 S	11/1949	Lazerson
D177,532 S	4/1956	Meyer et al.
2,740,883 A	4/1956	Kruger
2,740,885 A	4/1956	Kruger
3,025,391 A	3/1962	Golko
D193,802 S	10/1962	Thomsen et al.
3,099,403 A	7/1963	Strawick
3,125,301 A	3/1964	Stotter
3,272,978 A	9/1966	Jackson
4,078,169 A	3/1978	Armstrong
4,174,533 A	11/1979	Barthes et al.
D259,738 S	6/1981	Boschetti
4,363,371 A	12/1982	Hutchinson
D268,287 S	3/1983	Boschetti
4,531,180 A	7/1985	Hernandez
4,669,033 A	5/1987	Lee
4,779,178 A	10/1988	Spitz
4,796,168 A	1/1989	Peterson
4,814,954 A	3/1989	Spitz
4,933,821 A	6/1990	Anderson
D311,597 S	10/1990	Poot
D323,897 S	2/1992	Compton
5,132,885 A	7/1992	Hocheim et al.
5,192,129 A	3/1993	Figueroa
5,195,822 A	3/1993	Takahashi et al.
5,199,784 A	4/1993	Hempleman
5,249,110 A	9/1993	Russello et al.
5,253,152 A	10/1993	Yang et al.
D352,126 S	11/1994	Ruud et al.
5,440,470 A	8/1995	Ly
5,457,450 A	10/1995	Deese et al.
5,570,947 A	11/1996	Felland
D376,437 S	12/1996	Karlo et al.
D377,234 S	1/1997	Roberts et al.
5,615,943 A	4/1997	Coldren
D383,243 S	9/1997	Fry et al.
D397,481 S	8/1998	Schafer
D399,328 S	10/1998	Compton
D400,289 S	10/1998	Wardenburg et al.
D413,176 S	8/1999	Mier-Langer
D415,304 S	10/1999	Brown
D418,626 S	1/2000	Herst et al.
6,024,468 A	2/2000	Kassay et al.
6,042,250 A	3/2000	Stragnola
6,053,624 A	4/2000	Cronk
D425,237 S	5/2000	Scott
6,079,851 A	6/2000	Altman et al.
D428,516 S	7/2000	Reo et al.
6,231,209 B1	5/2001	Leibig et al.
D443,943 S *	6/2001	Brunner D26/87
D445,943 S	7/2001	Littman
6,257,735 B1	7/2001	Baar
D447,272 S	8/2001	Smith

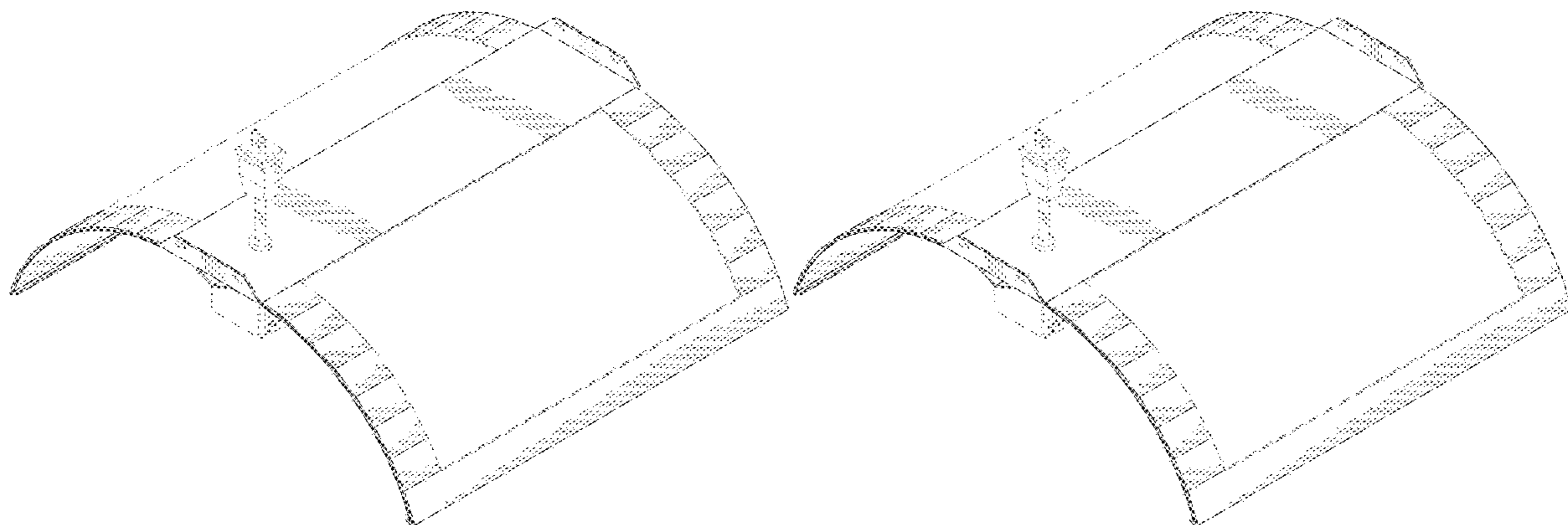
Related U.S. Application Data

- (63) Continuation of application No. 29/690,903, filed on May 13, 2019, now Pat. No. Des. 879,366, which is a continuation of application No. 29/624,824, filed on Nov. 3, 2017, now Pat. No. Des. 848,662.
- (51) **LOC (14) Cl.** **26-05**
- (52) **U.S. Cl.**
USPC **D26/118**
- (58) **Field of Classification Search**
USPC ... D26/1, 24, 61, 62, 63, 64, 65, 66, 71, 74, D26/75, 76, 78, 79, 118, 138
CPC F21L 2/00; F21S 2/00; F21S 8/00; H01K 7/00; H01K 7/02; A01G 7/045
See application file for complete search history.

References Cited

U.S. PATENT DOCUMENTS

D46,253 S	8/1914	Kopp et al.
D85,382 S	10/1931	Guth
1,930,070 A	10/1933	Zecher
D106,614 S	10/1937	Waterbury
2,194,841 A	3/1940	Welch
D123,768 S	12/1940	Scribner
D132,786 S	6/1942	Netting
D133,216 S	7/1942	Parlato
D135,375 S	3/1943	Biller
2,339,100 A	1/1944	Netting
2,348,617 A	5/1944	Furedy
D143,061 S	12/1945	Creed



US D987,168 S

D456,938 S	5/2002	Wardenburg		D740,486 S	10/2015	Stanley	
D459,825 S	7/2002	Field		D747,029 S	1/2016	Reynolds	
D465,049 S	10/2002	Ludwig		D748,849 S	2/2016	Stanley	
D467,026 S	12/2002	Parker		D750,312 S	2/2016	Reynolds	
D469,564 S	1/2003	Brok		D750,316 S	2/2016	Reynolds	
6,527,422 B1	3/2003	Hutchison		D751,244 S	3/2016	Reynolds	
D472,668 S *	4/2003	Herst	D26/118	D751,247 S	3/2016	Reynolds	
6,595,662 B2	7/2003	Wardenburg		9,279,550 B2	3/2016	Torabifard et al.	
6,659,628 B2	12/2003	Del Campo		D757,323 S	5/2016	Reynolds	
6,783,263 B1	8/2004	Cronk		D762,320 S	7/2016	Reynolds	
D497,024 S *	10/2004	Herst	D26/77	D765,306 S	8/2016	Wardenburg et al.	
D505,221 S *	5/2005	Hetfield	D26/76	D767,193 S	9/2016	Jung	
6,908,212 B2	6/2005	Schultz		9,453,639 B2	9/2016	Mandy et al.	
6,988,816 B2	1/2006	Witkowski		D768,910 S	10/2016	Reynolds	
7,156,539 B2	1/2007	Cronk		D769,514 S	10/2016	Reynolds	
D542,460 S	5/2007	Hargreaves		D770,081 S	10/2016	Reynolds	
D543,652 S	5/2007	Hargreaves		D770,670 S	11/2016	Reynolds	
D543,654 S	5/2007	Hargreaves		D770,671 S	11/2016	Reynolds	
D544,131 S	6/2007	Blackman		D775,405 S	12/2016	Stanley	
D544,136 S	6/2007	Hargreaves		D779,703 S	2/2017	Stanley	
D544,138 S	6/2007	Hargreaves		D783,888 S	4/2017	Reynolds	
D544,139 S	6/2007	Hargreaves		D786,486 S	5/2017	Reynolds	
D544,626 S	6/2007	Hargreaves		D794,239 S	8/2017	Cronk	
D544,628 S *	6/2007	Quintal	D26/76	D797,351 S	9/2017	Stanley	
D544,983 S	6/2007	Hargreaves		D797,352 S	9/2017	Stanley	
D544,984 S	6/2007	Hargreaves		D797,978 S *	9/2017	Blankenship	D26/74
D544,985 S	6/2007	Hargreaves		D812,806 S *	3/2018	Luo	D26/120
D544,987 S	6/2007	Hargreaves		9,933,141 B2	4/2018	Cronk et al.	
D544,994 S	6/2007	Hargreaves		D820,495 S *	6/2018	Van Gompel	D26/74
D544,995 S	6/2007	Hargreaves		D822,883 S	7/2018	Stanley	
D545,484 S	6/2007	Hargreaves		D828,946 S *	9/2018	McVey	D26/85
D545,485 S	6/2007	Hargreaves		D831,265 S	10/2018	Stanley	
D545,996 S	7/2007	Hargreaves		D835,334 S	12/2018	Dal Ponte et al.	
D586,030 S	2/2009	Genova		D843,641 S	3/2019	Stanley	
7,524,090 B2	4/2009	Hargreaves		D848,662 S	5/2019	Reynolds	
7,534,011 B2	5/2009	Townsley		D851,814 S	6/2019	Stanley	
D613,900 S	4/2010	Hargreaves et al.		D866,053 S *	11/2019	Jung	D26/91
D614,801 S	4/2010	Collins et al.		D879,366 S	3/2020	Reynolds	
7,722,208 B1	5/2010	Dupre et al.		D885,646 S *	5/2020	Ahrari	D26/118
7,722,228 B2	5/2010	Broer		2001/0023173 A1	9/2001	Schiedegger et al.	
D633,640 S	3/2011	Wauters		2002/0141195 A1	10/2002	Peter	
D634,060 S	3/2011	Wardenburg		2008/0205030 A1	8/2008	Hargreaves	
D634,468 S	3/2011	Hargreaves		2008/0205071 A1	8/2008	Townsley	
D634,469 S	3/2011	Hargreaves		2008/0219008 A1	9/2008	Schaefer et al.	
D637,162 S	5/2011	Bridgman		2008/0278950 A1	11/2008	Pickard et al.	
D637,752 S	5/2011	Mekhtarian		2009/0262540 A1	10/2009	Hargreaves et al.	
7,959,331 B2	6/2011	Ho		2009/0262543 A1	10/2009	Ho	
7,972,044 B2	7/2011	Burkhauser		2009/0310373 A1	12/2009	Burkhauser	
D643,571 S *	8/2011	Chen	D26/118	2009/0323335 A1	12/2009	Yang et al.	
D661,833 S	6/2012	Imajo et al.		2012/0051041 A1	3/2012	Edmond et al.	
8,209,912 B2	7/2012	Hargreaves et al.		2013/0083539 A1	4/2013	Dimitriadis	
D669,204 S	10/2012	Snell et al.		2015/0082692 A1	3/2015	Wardenburg et al.	
D670,850 S	11/2012	Helenowski		2015/0252993 A1	9/2015	Stanley	
D672,911 S	12/2012	Mayfield, III et al.		2016/0069543 A1	3/2016	Cronk et al.	
D675,369 S	1/2013	Michaud		2019/0049095 A1	2/2019	Cronk	
8,348,481 B2	1/2013	Chang					
D676,185 S	2/2013	Piegras et al.					
D678,599 S	3/2013	Boyer et al.					
D683,064 S	5/2013	Tuck					
D693,959 S	11/2013	Boyer et al.					
D697,656 S *	1/2014	Sabernig	D26/85				
D698,986 S	2/2014	Reynolds					
D698,987 S	2/2014	Stanley					
D699,386 S	2/2014	Park et al.					
8,905,575 B2	12/2014	Durkee et al.					
D725,819 S	3/2015	Reynolds					
8,998,473 B1	4/2015	Anderson					
9,010,970 B2	4/2015	Guercio et al.					
9,016,907 B2	4/2015	Stanley					
D731,701 S	6/2015	Hargreaves					
D732,233 S	6/2015	Reynolds					
D732,235 S	6/2015	Reynolds					
D732,236 S	6/2015	Reynolds					
D736,450 S	8/2015	Reynolds					
D737,134 S	8/2015	Thompson					
D737,498 S	8/2015	Stanley					
9,100,209 B2	8/2015	Steindl					
9,110,209 B2	8/2015	Blessitt et al.					
D739,595 S	9/2015	Reynolds					

FOREIGN PATENT DOCUMENTS

CN	303598254	*	2/2016
DE	2314935 A1		10/1974
GB	353170 A		7/1931
GB	2232476 A		12/1990

OTHER PUBLICATIONS

Amazon, "iPower 19 Inch Basic Gull Wing Reflector", first available Feb. 16, 2013. (<https://www.amazon.ca/iPower-Inch-Basic-Reflector-Light/dp/B00BDGHH4C?th=1>) (Year: 2013).*

Amazon, "Sun System Grow Lights", first available Aug. 7, 2014. (https://www.amazon.ca/Sun-System-Grow-Lights-Hydroponic/dp/B0009I52AQ/ref=psdc_14252961_t1_B00BDGHH4C?th=1) (Year: 2014).*

Home Depot, "18 in. Double Ended DE Basic Wing Grow Light Reflector", first available Apr. 3, 2018. (<https://www.homedepot.com/p/Hydro-Crunch-18-in-Double-Ended-DE-Basic-Wing-Grow-Light-Reflector-with-Socket-and-Cord-for-up-to-1000-Watt-B379900200/302875617>) (Year: 2018).*

Home Depot, "19 in. Basic Wing Grow Light Reflector", first available Dec. 11, 2018. (<https://www.homedepot.com/p/Hydro-Crunch-19-in-Basic-Wing-Grow-Light-Reflector-with-Socket-and-Cord-for-up-to-1000-Watt-D940003200/302743185>) (Year: 2018).*

* cited by examiner

Primary Examiner — Lauren D McVey
Assistant Examiner — Justin A Johnson
(74) *Attorney, Agent, or Firm* — Ulmer & Berne LLP

(57) **CLAIM**

The ornamental design for a light reflector, as shown and described.

DESCRIPTION

FIG. 1 is a perspective view of a first embodiment of a light reflector, as viewed from above, showing my new design;
FIG. 2 is a perspective view of the light reflector shown in FIG. 1, as viewed from below;
FIG. 3 is a left side view of the light reflector shown in FIG. 1;
FIG. 4 is a right side view of the light reflector shown in FIG. 1;
FIG. 5 is a front elevation view of the light reflector shown in FIG. 1;

FIG. 6 is a rear elevation view of the light reflector shown in FIG. 1;

FIG. 7 is a top plan view of the light reflector shown in FIG. 1;

FIG. 8 is a bottom plan view of the light reflector shown in FIG. 1;

FIG. 9 is a perspective view of a second embodiment of a light reflector, as viewed from above, showing my new design;

FIG. 10 is a perspective view of the light reflector shown in FIG. 9, as viewed from below;

FIG. 11 is a left side view of the light reflector shown in FIG. 9;

FIG. 12 is a right side view of the light reflector shown in FIG. 9;

FIG. 13 is a front elevation view of the light reflector shown in FIG. 9;

FIG. 14 is a rear elevation view of the light reflector shown in FIG. 9;

FIG. 15 is a top plan view of the light reflector shown in FIG. 9; and,

FIG. 16 is a bottom plan view of the light reflector shown in FIG. 9.

The stippling shown in the drawings illustrates contrasted surface appearance and the stippling itself forms no part of the claimed design.

1 Claim, 14 Drawing Sheets

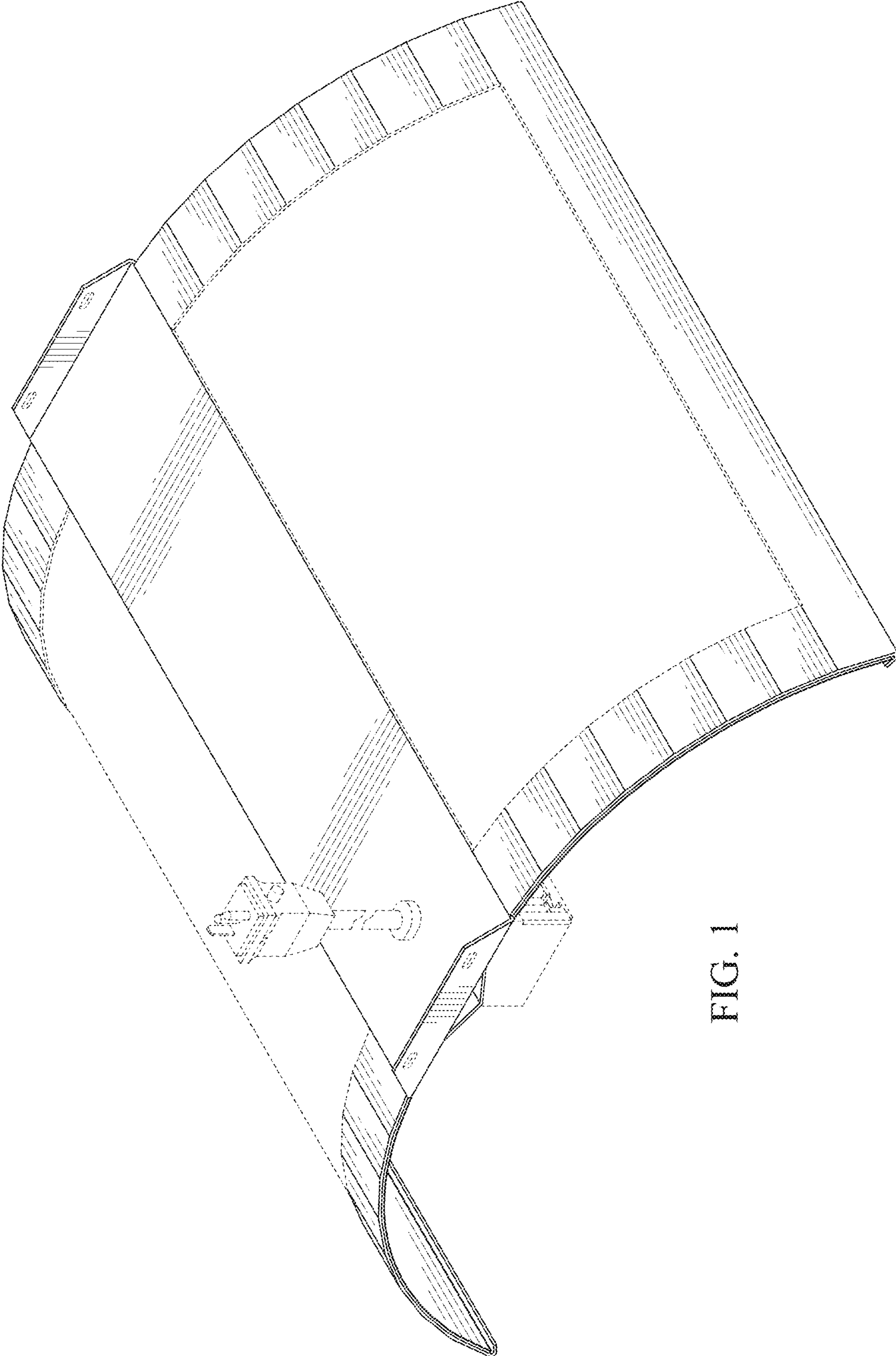


FIG. 1

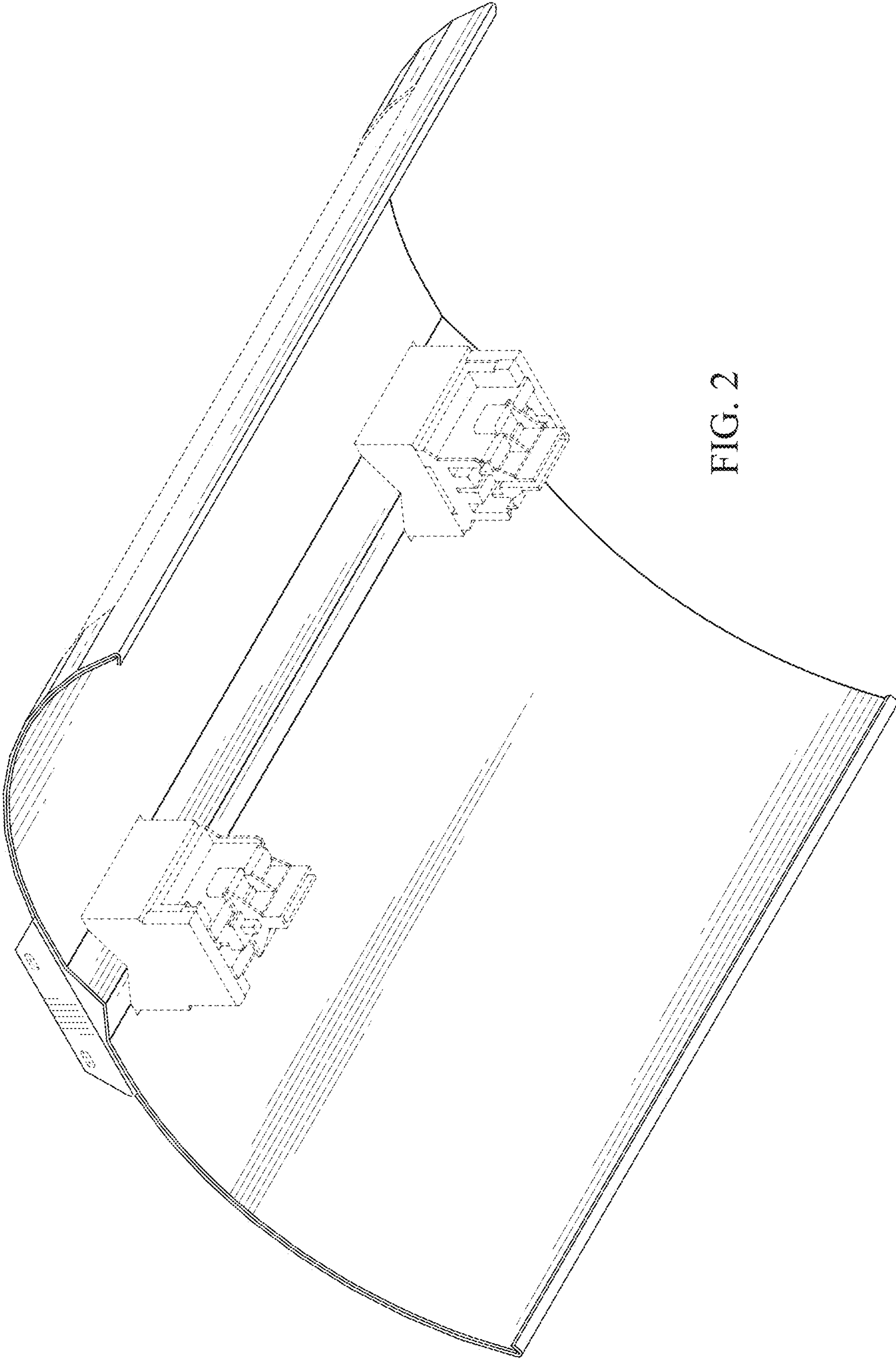


FIG. 2

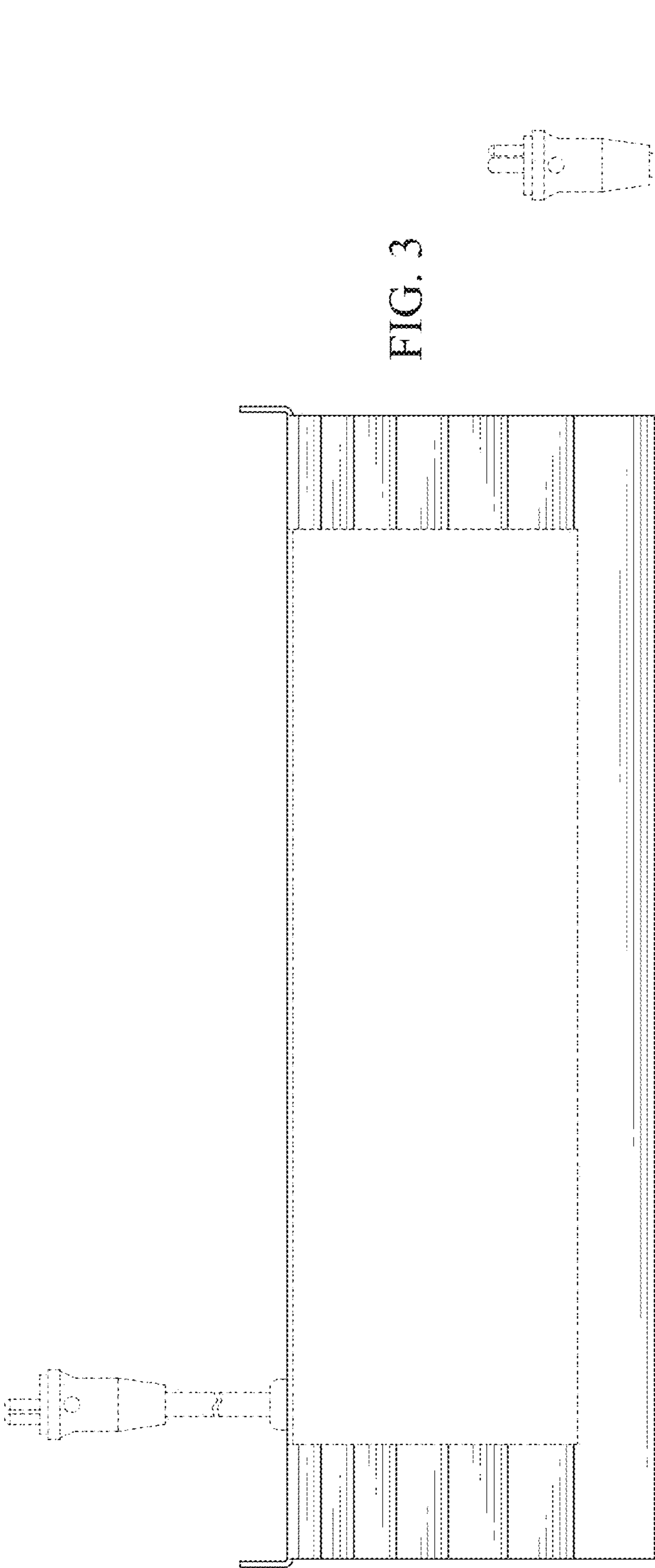


FIG. 3

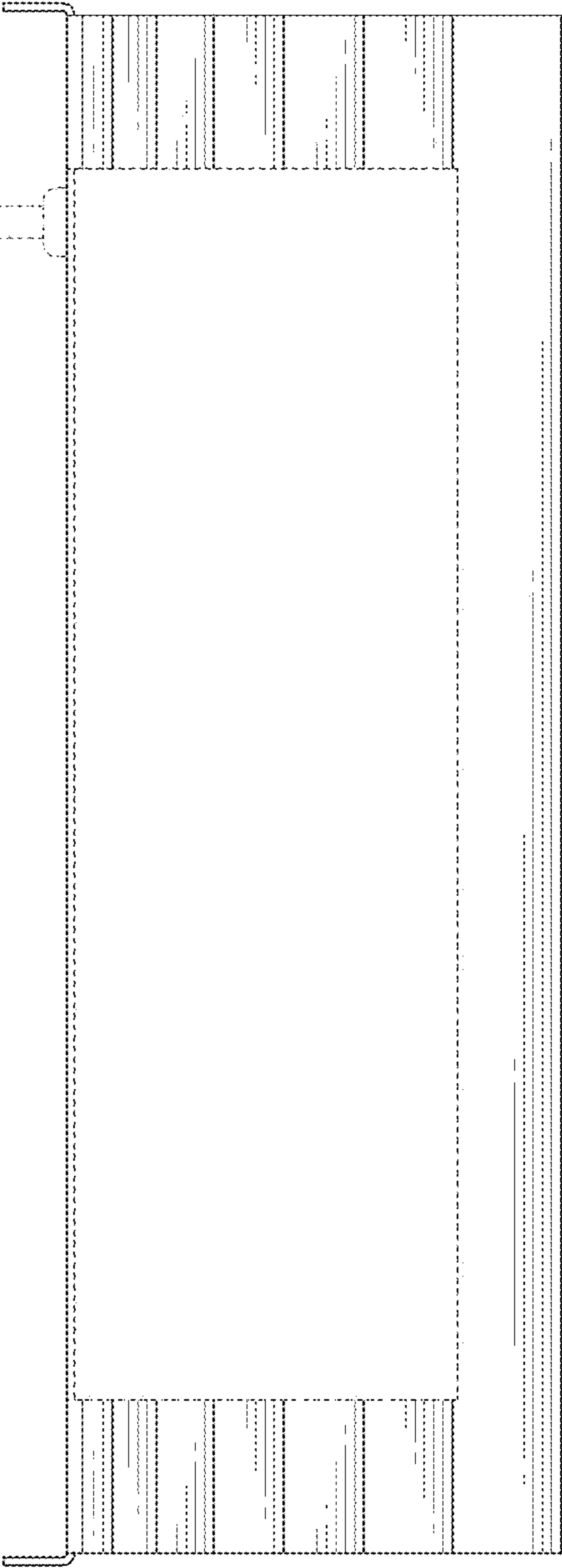


FIG. 4

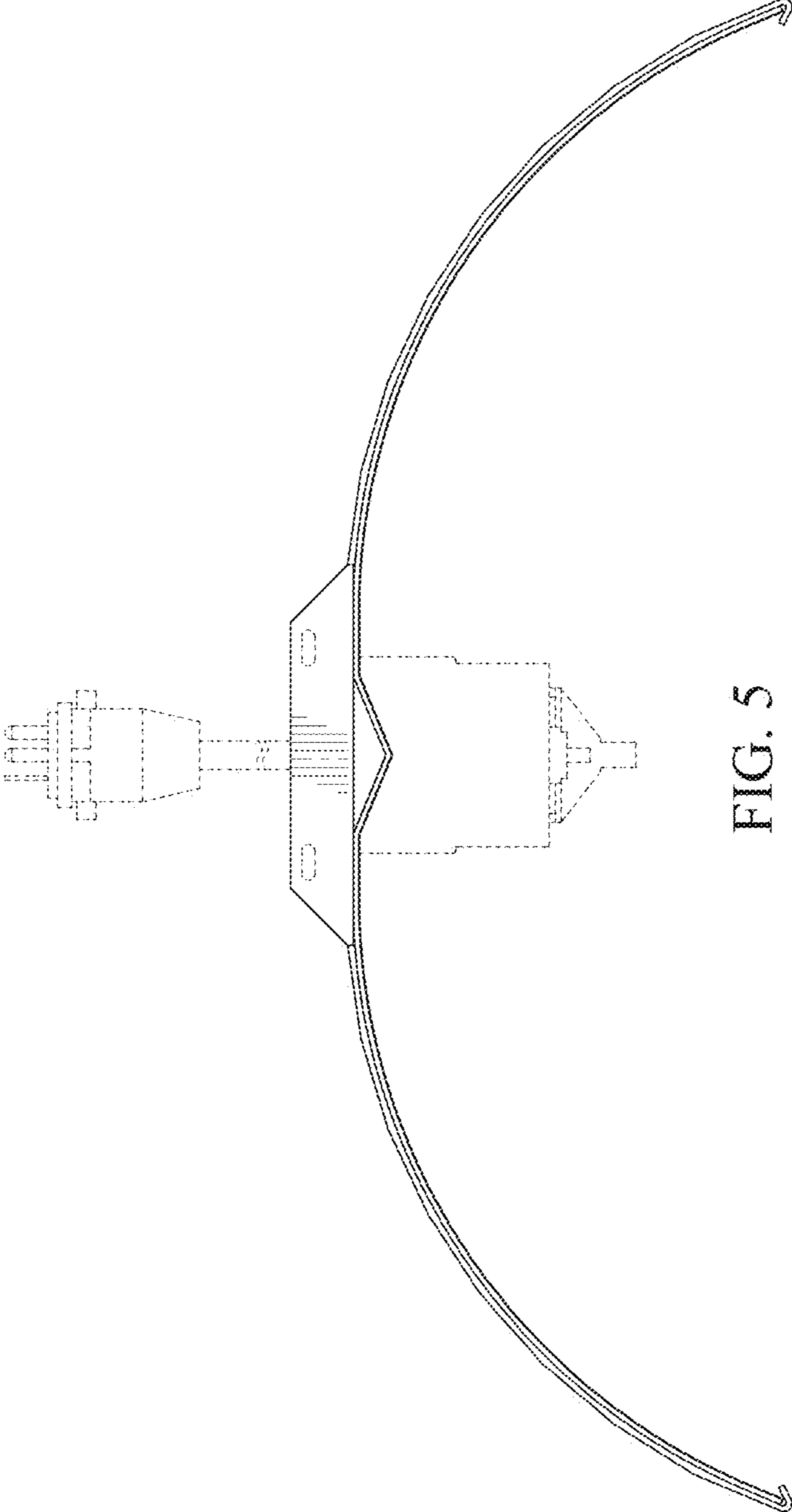


FIG. 5

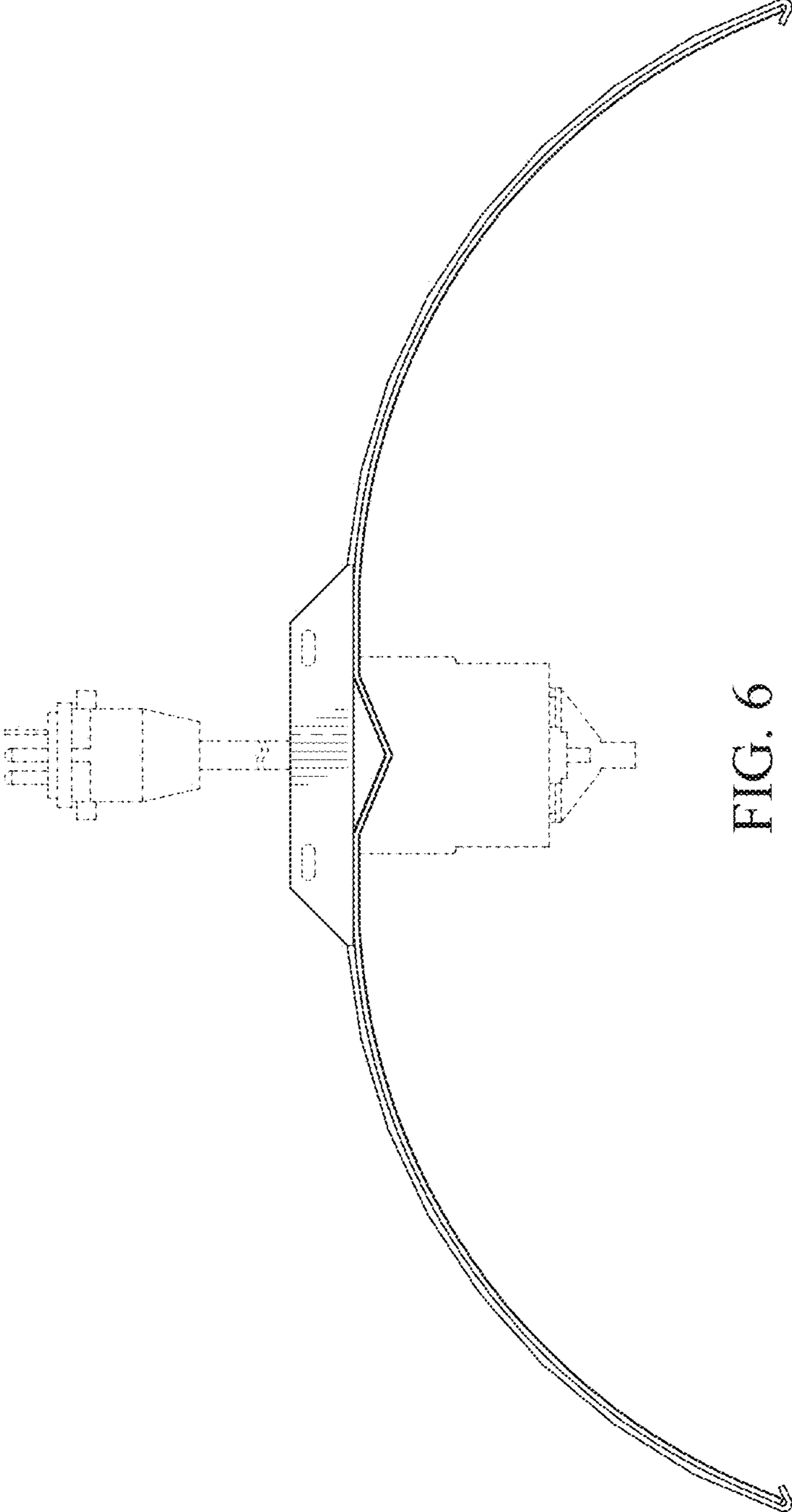


FIG. 6

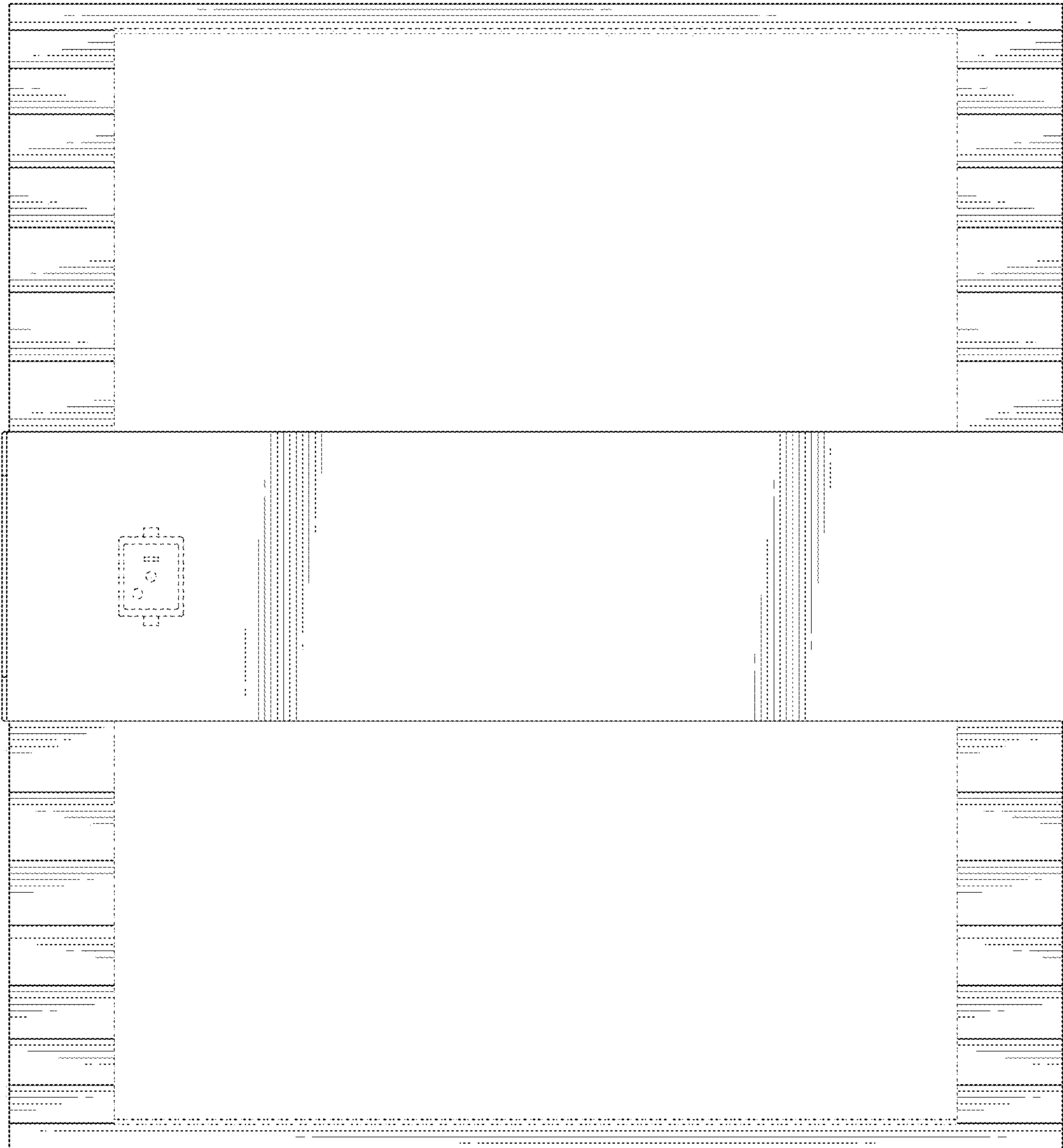


FIG. 7

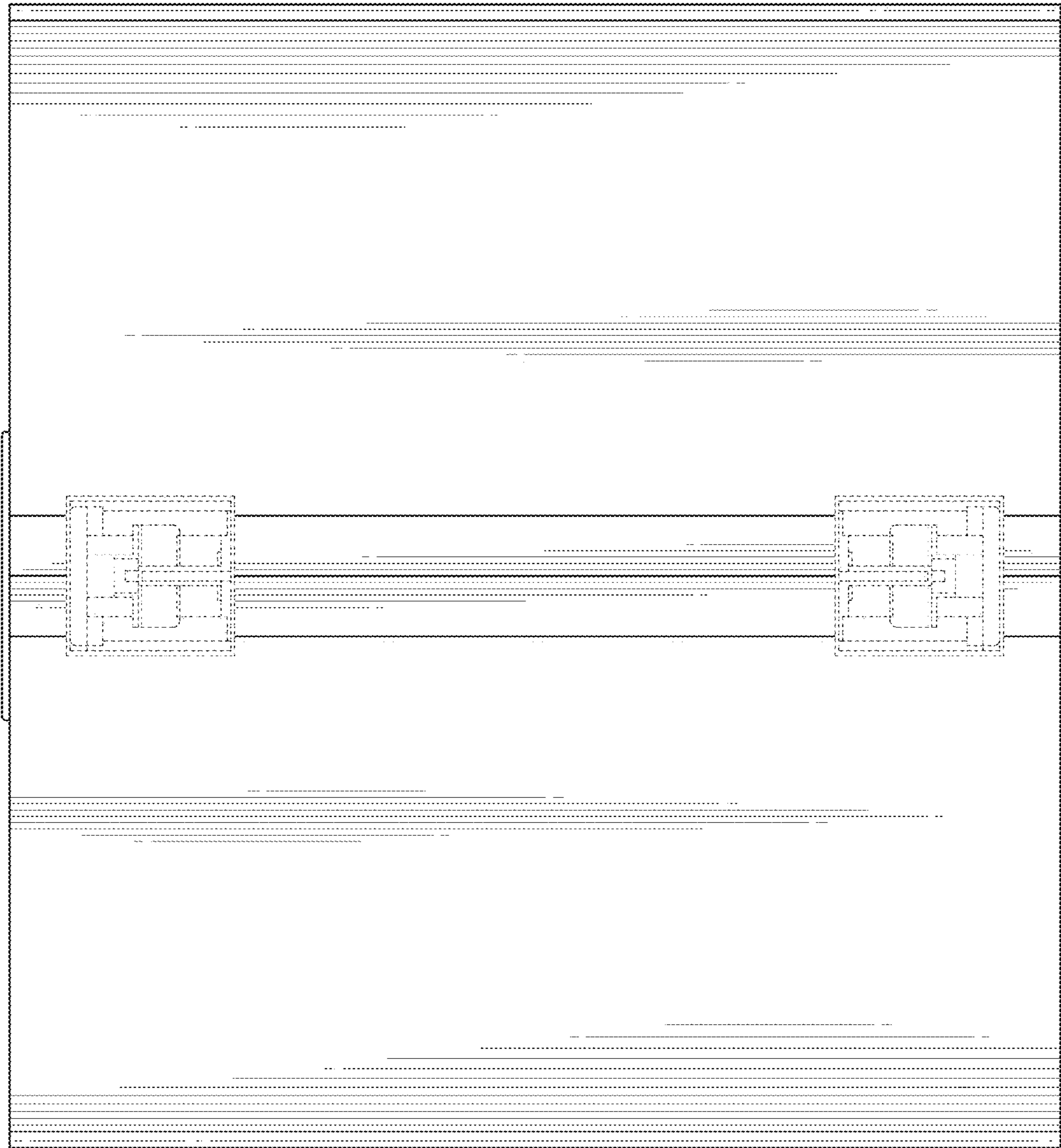


FIG. 8

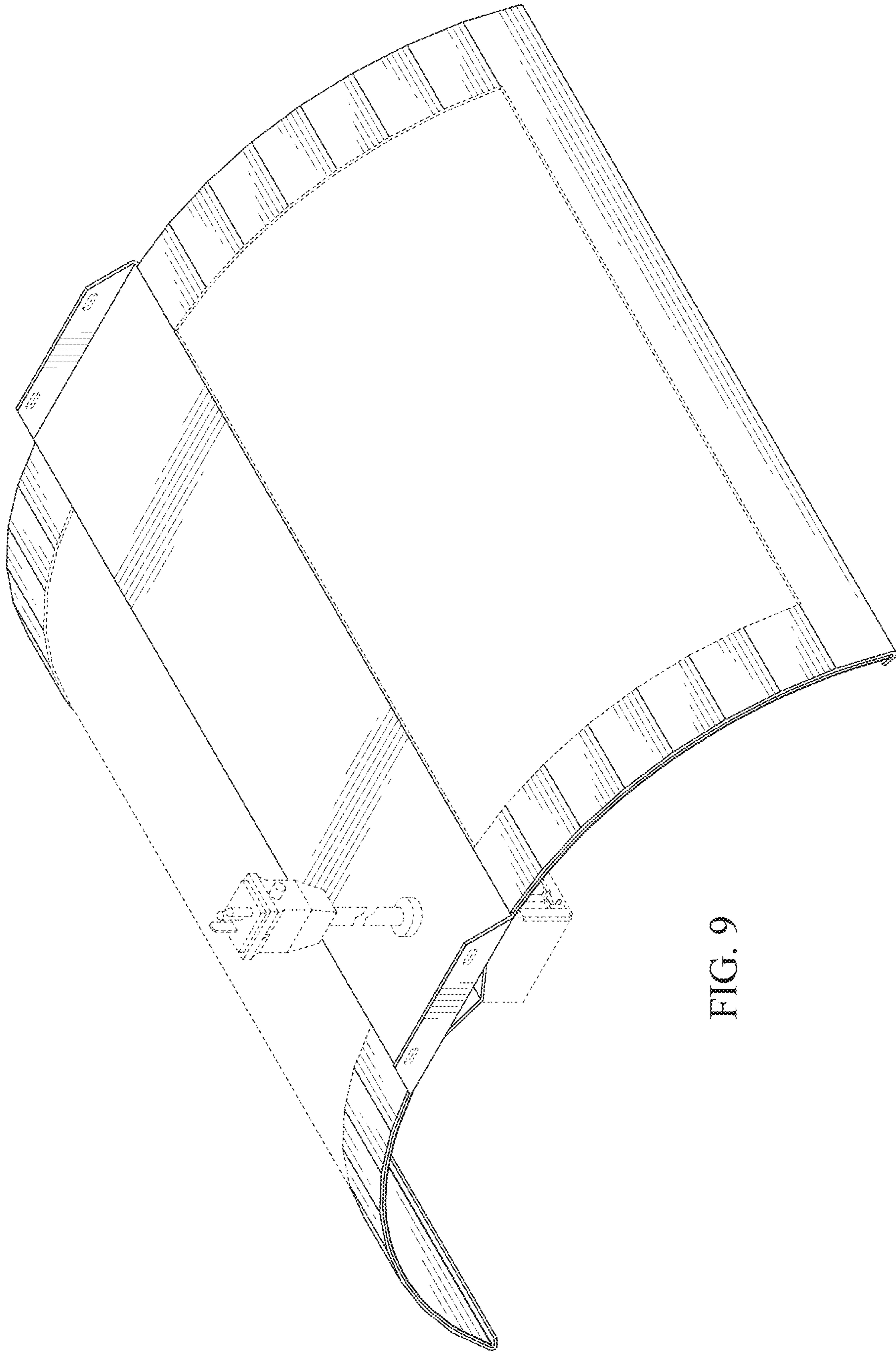


FIG. 9

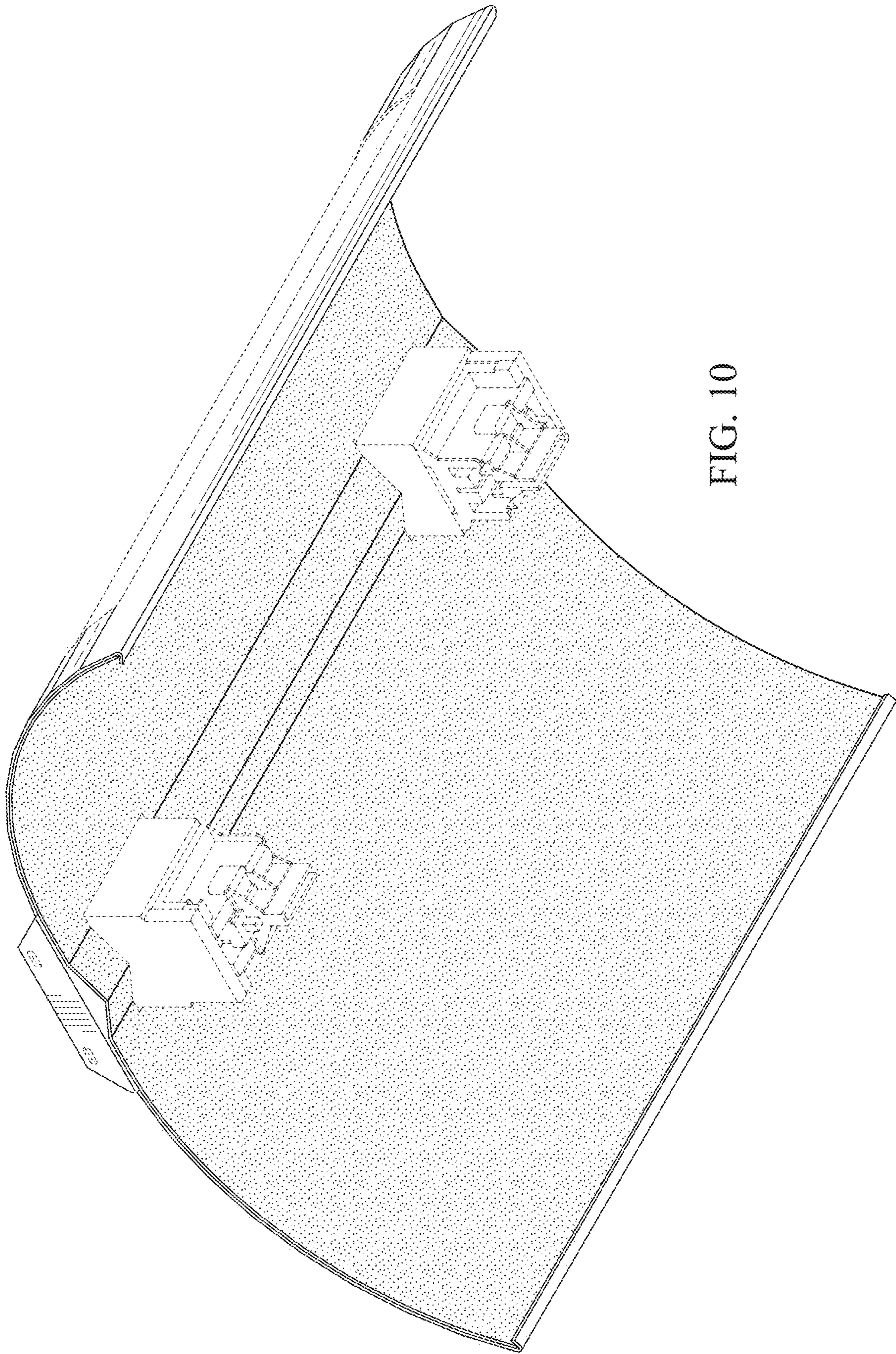
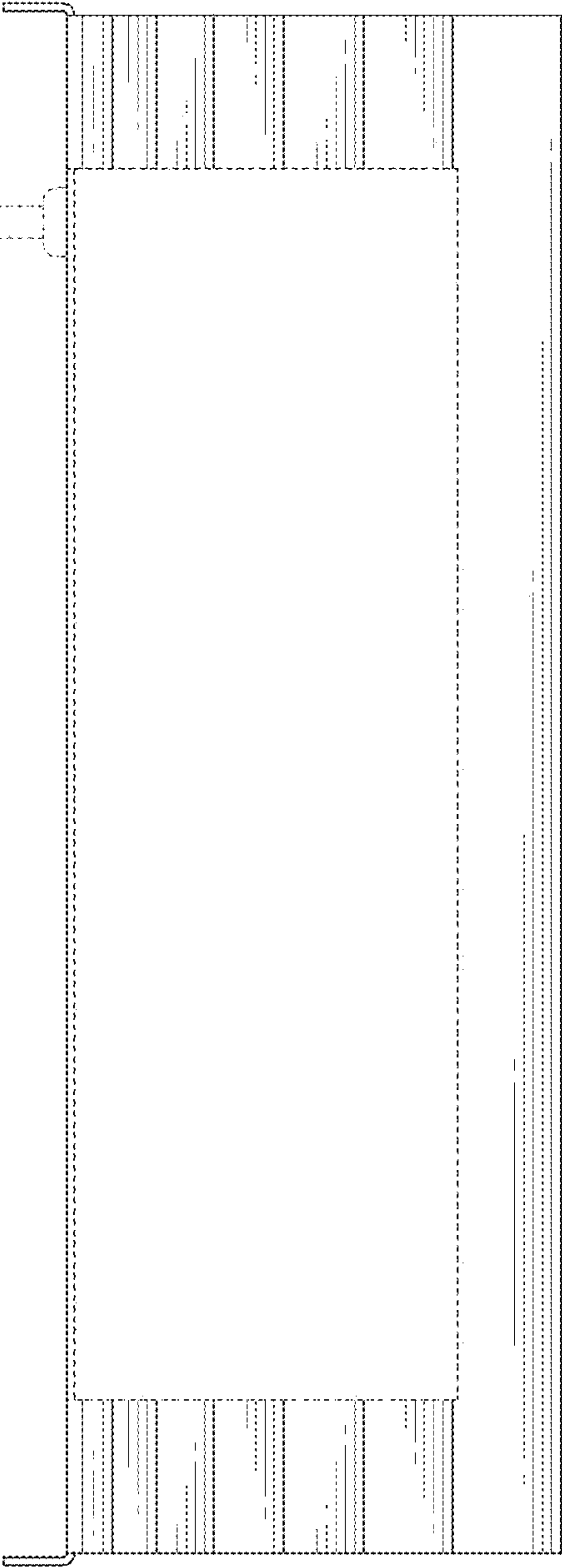
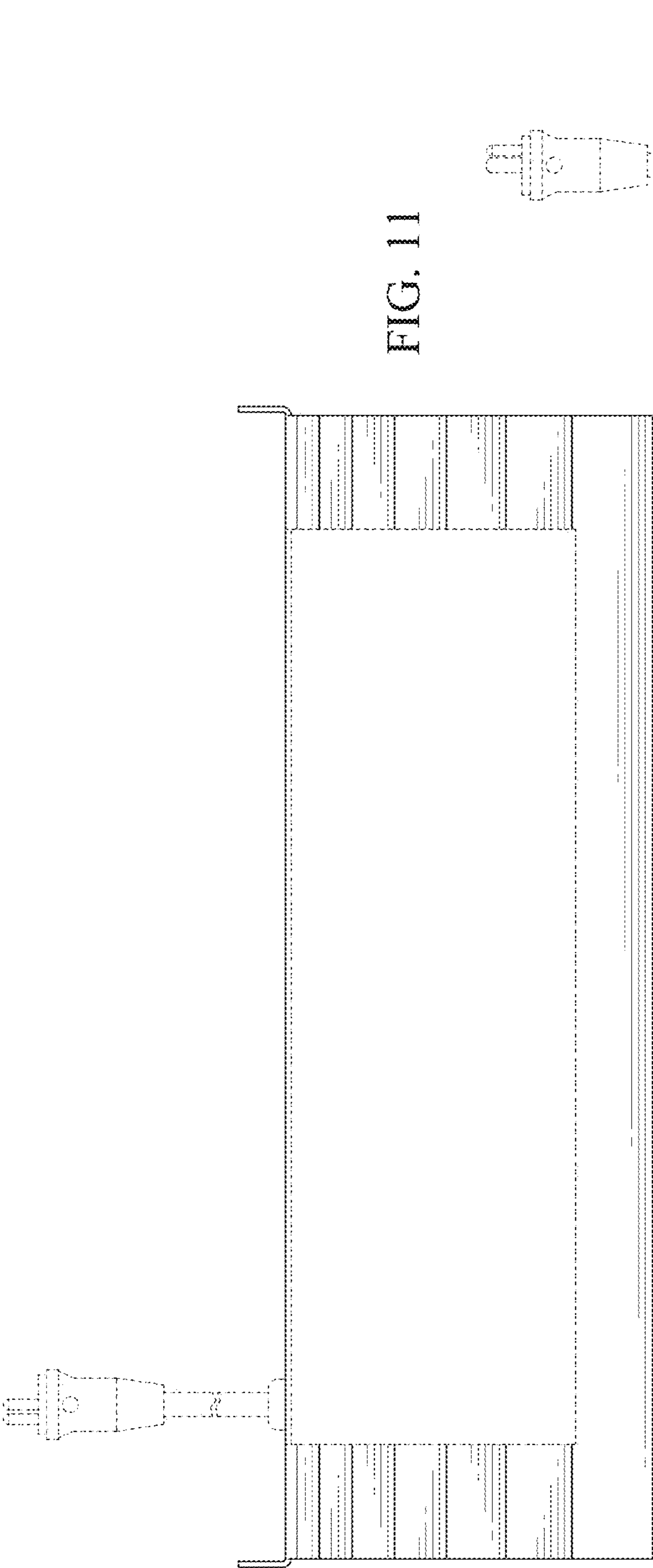


FIG. 10



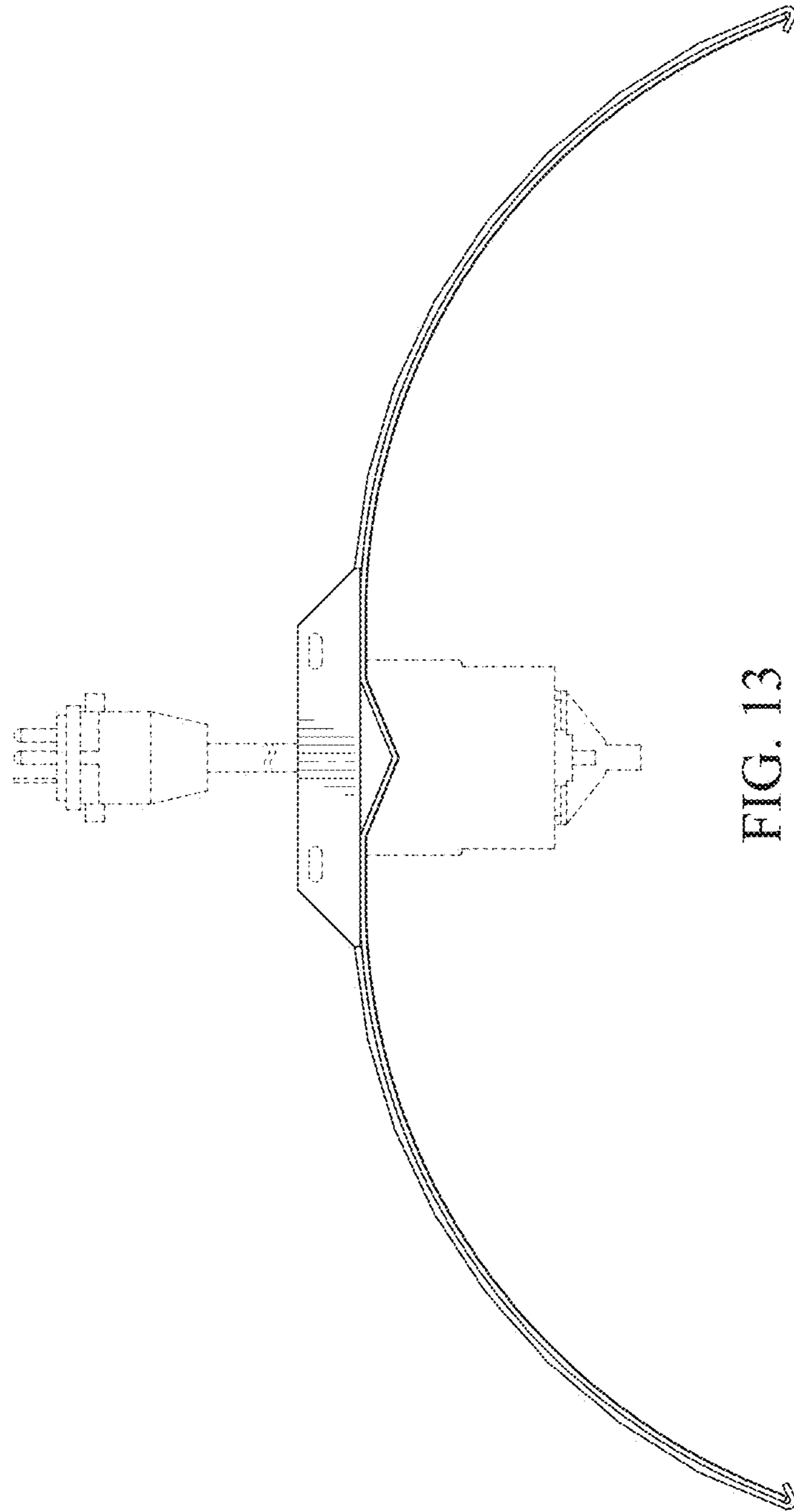


FIG. 13

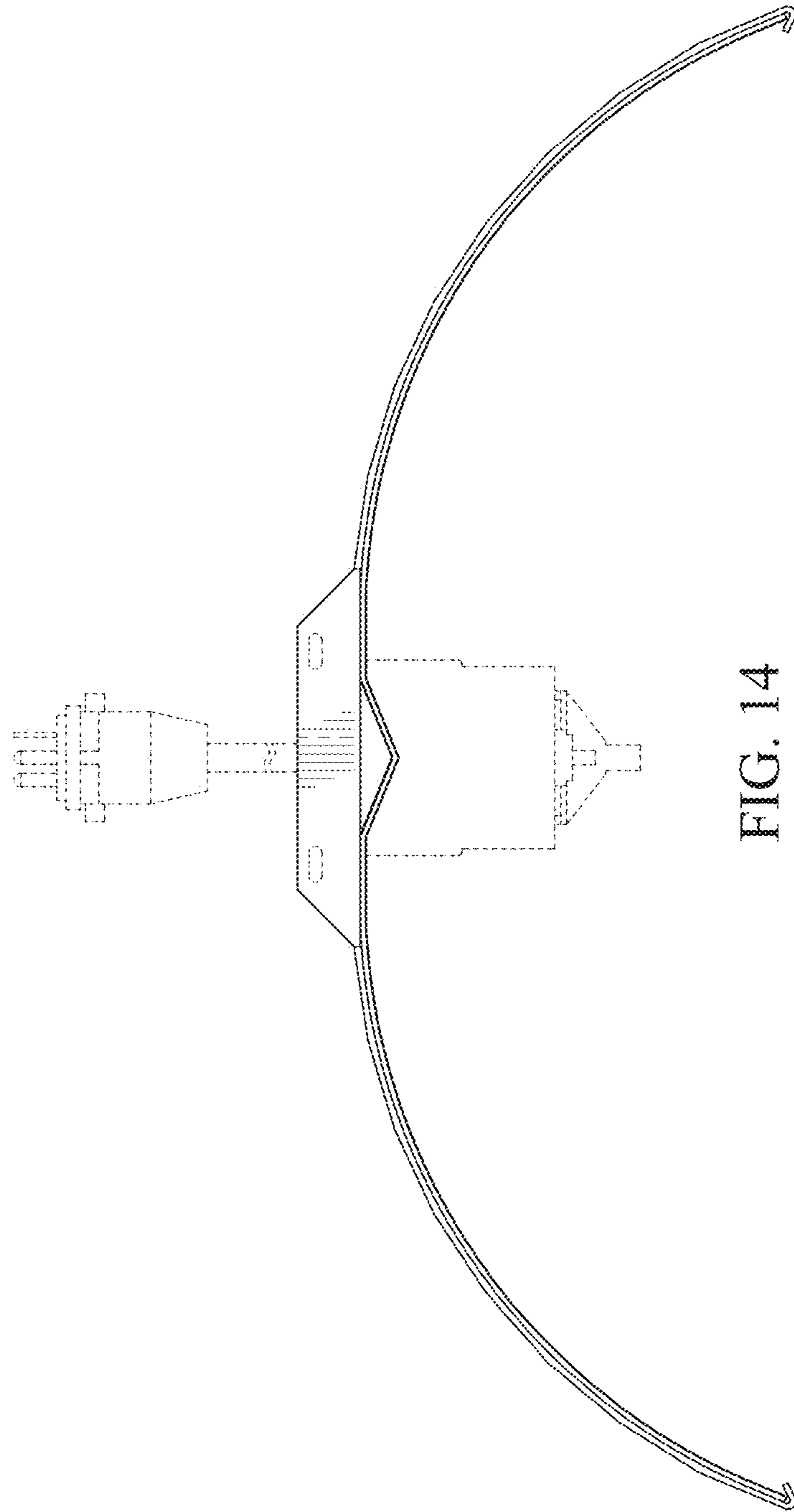


FIG. 14

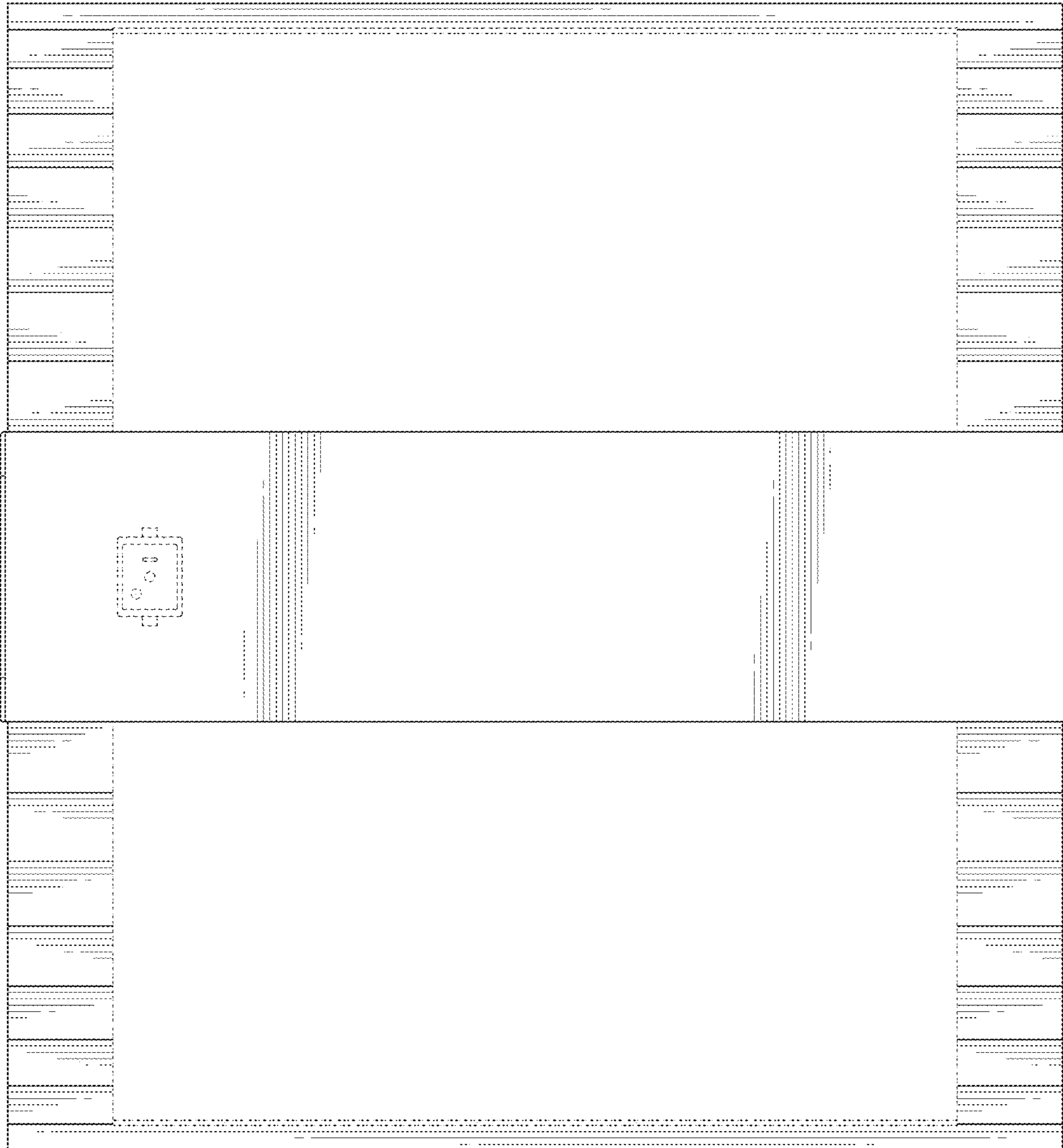


FIG. 15

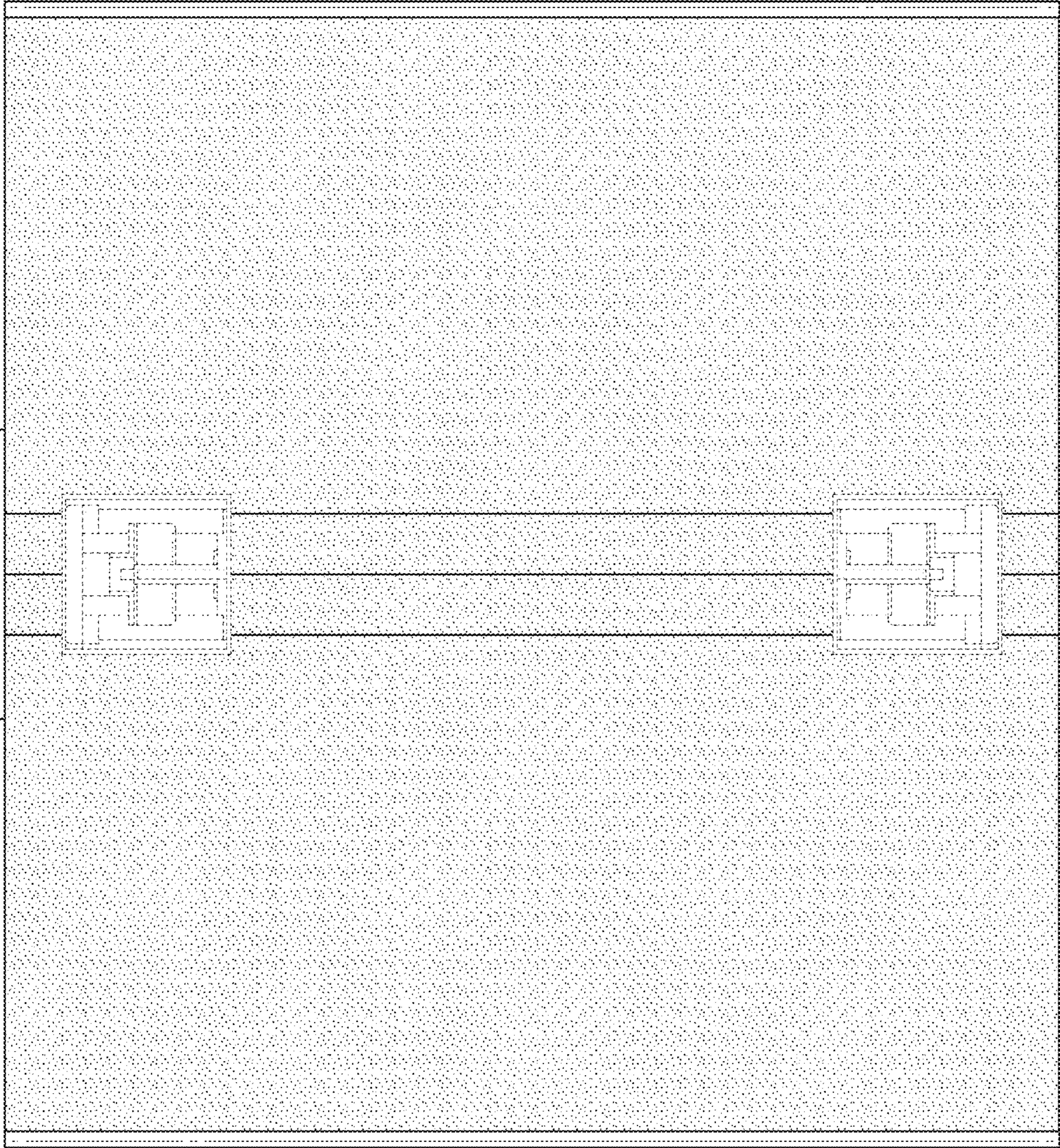


FIG. 16