



US00D987165S

(12) **United States Design Patent**
Tian

(10) **Patent No.:** **US D987,165 S**

(45) **Date of Patent:** **** May 23, 2023**

(54) **LAMP**

(71) Applicant: **Bao Tian**, Hunan (CN)

(72) Inventor: **Bao Tian**, Hunan (CN)

(**) Term: **15 Years**

(21) Appl. No.: **29/861,848**

(22) Filed: **Dec. 2, 2022**

(51) **LOC (14) Cl.** **26-05**

(52) **U.S. Cl.**
USPC **D26/104**; D26/110; D26/93

(58) **Field of Classification Search**
USPC D26/24, 93–112
CPC F21S 6/00; F21S 6/002
See application file for complete search history.

(56) **References Cited**

U.S. PATENT DOCUMENTS

D410,297 S *	5/1999	Huang	D26/110
D517,239 S *	3/2006	Starck	D26/112
D590,092 S *	4/2009	Starck	D26/110
D610,739 S *	2/2010	Jourdan	D26/110
D625,039 S *	10/2010	Citterio	D26/110
D757,990 S *	5/2016	Giovannoni	D26/110
D777,371 S	1/2017	Yang		
D779,705 S *	2/2017	Starck	D26/110
D790,108 S *	6/2017	Starck	D26/110
D790,109 S *	6/2017	Starck	D26/110

D803,462 S *	11/2017	Couckhuyt	D26/93
D808,063 S *	1/2018	Starck	D26/110
D958,442 S *	7/2022	Li	D26/106

OTHER PUBLICATIONS

Shumi LED Solar Table Lamp Outdoor, available in Amazon.com, date first available Apr. 23, 2021 [online], [site visited Jan. 9, 2023], Available from the internet URL: <https://a.co/d/3ZIUnkm> (Year: 2021).*

* cited by examiner

Primary Examiner — Kathleen L Jones

Assistant Examiner — Jasmine L. Comedy

(74) *Attorney, Agent, or Firm* — Che-Yang Chen; Law Office of Michael Chen

(57) **CLAIM**

The ornamental design for a lamp, as shown and described.

DESCRIPTION

FIG. 1 is a perspective view of the lamp showing my new design;

FIG. 2 is a perspective view thereof from another angle;

FIG. 3 is a front elevational view thereof;

FIG. 4 is a rear elevational view thereof;

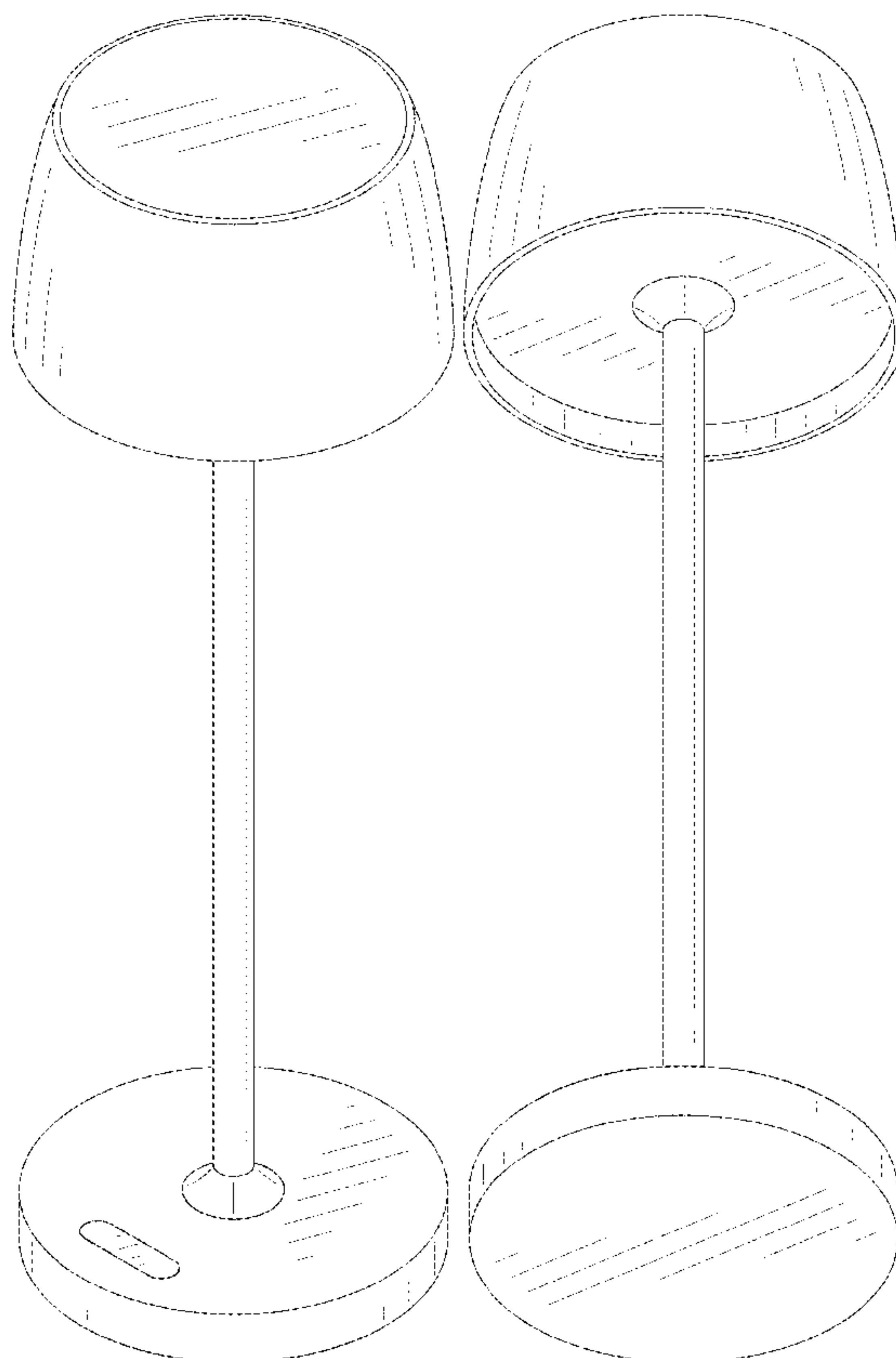
FIG. 5 is a left side elevational view thereof;

FIG. 6 is a right side elevational view thereof;

FIG. 7 is a top plan view thereof; and,

FIG. 8 is a bottom plan view thereof.

1 Claim, 8 Drawing Sheets



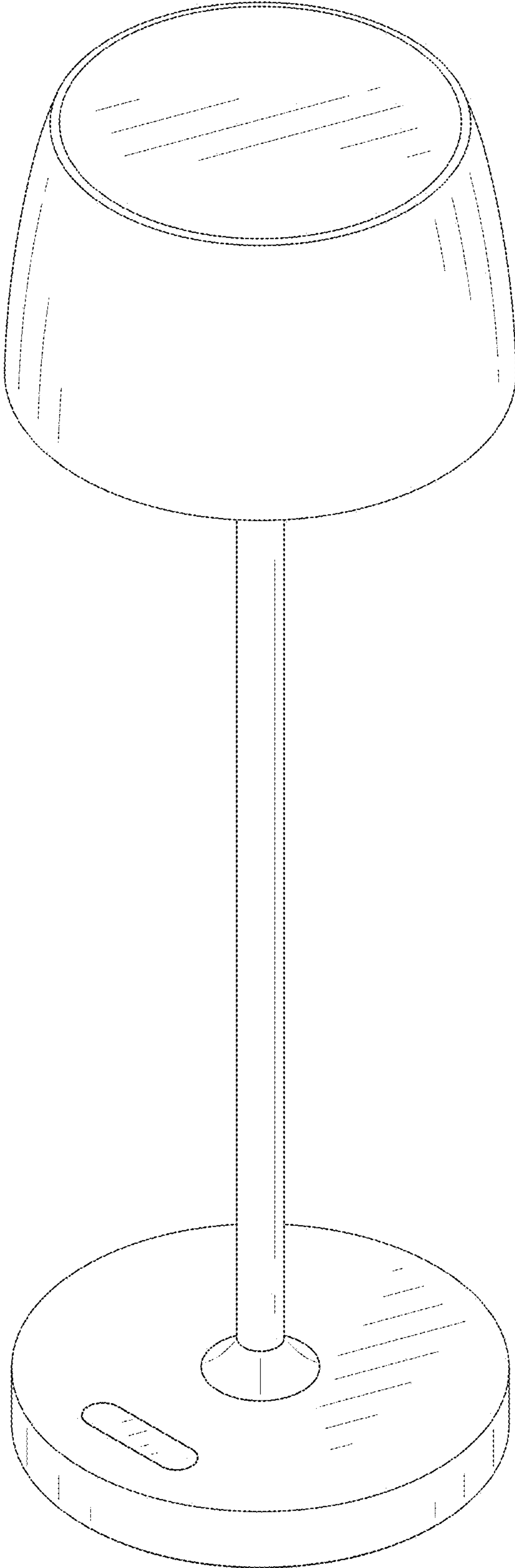


FIG. 1

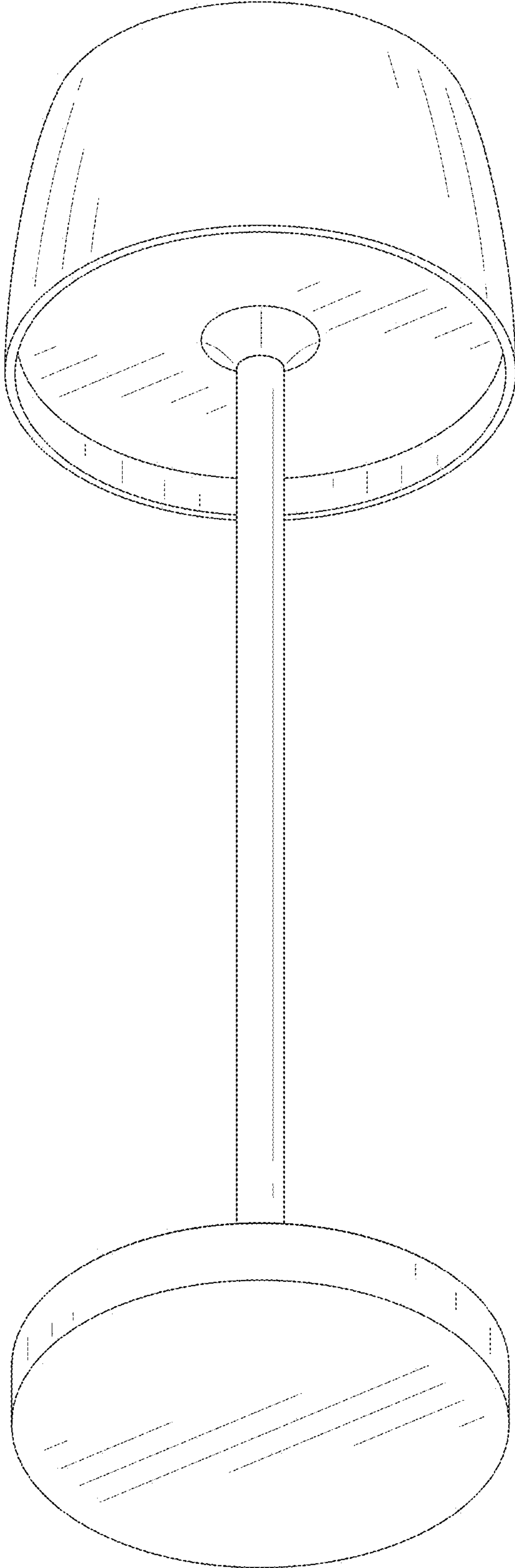


FIG. 2

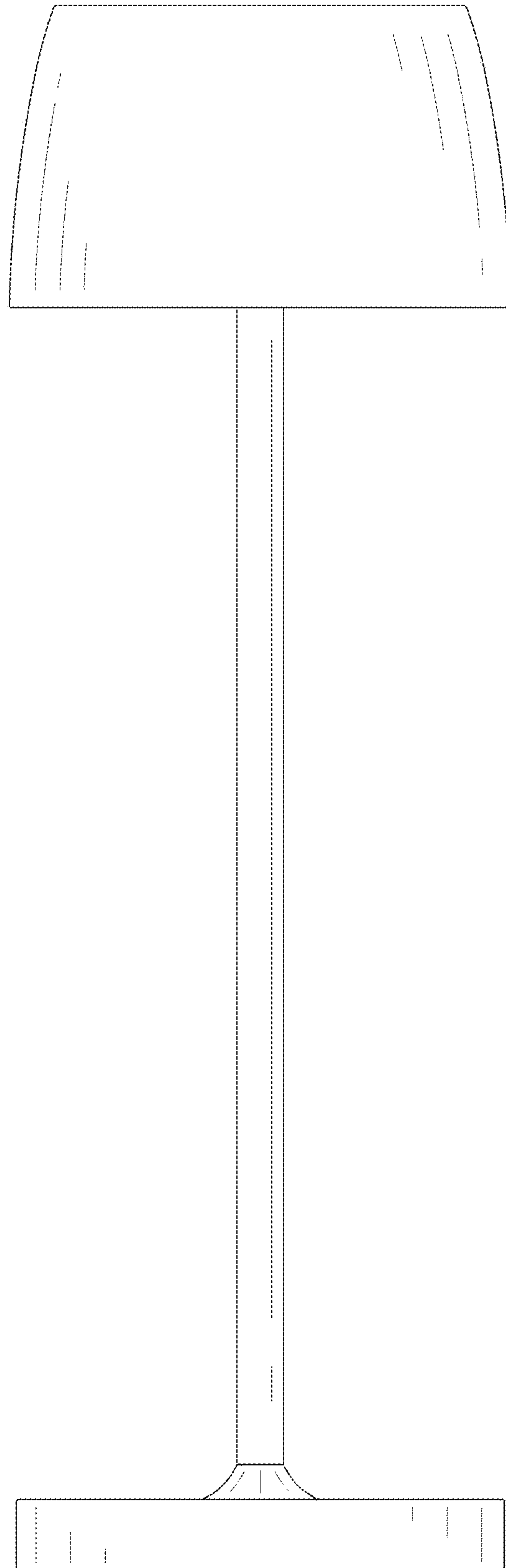


FIG. 3

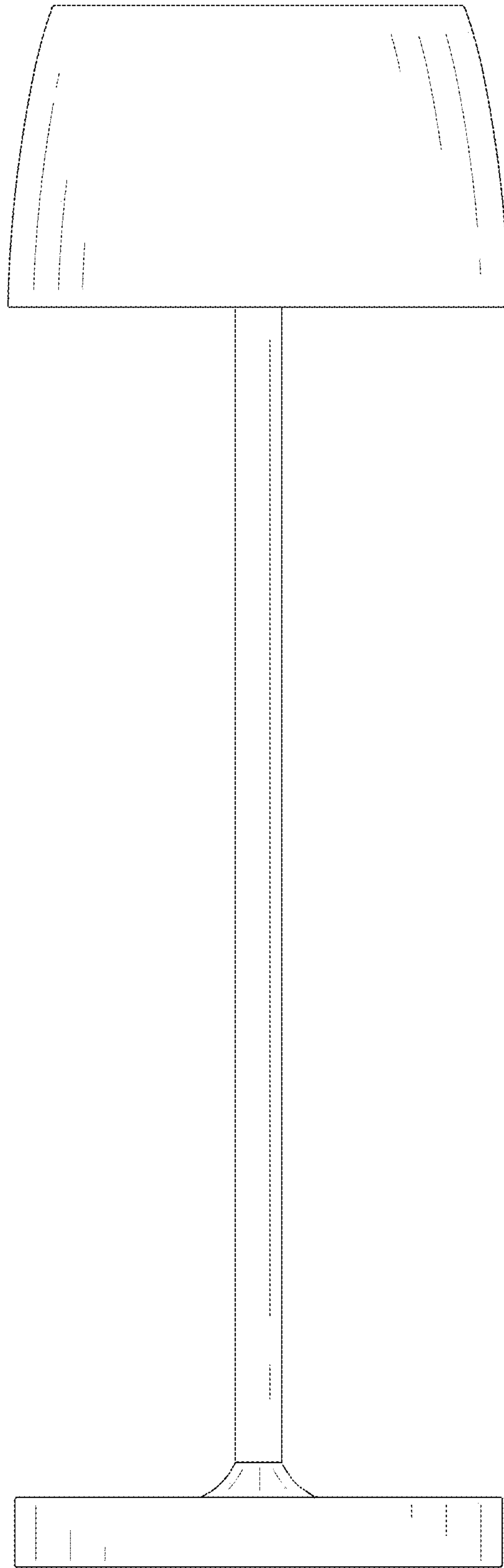


FIG. 4

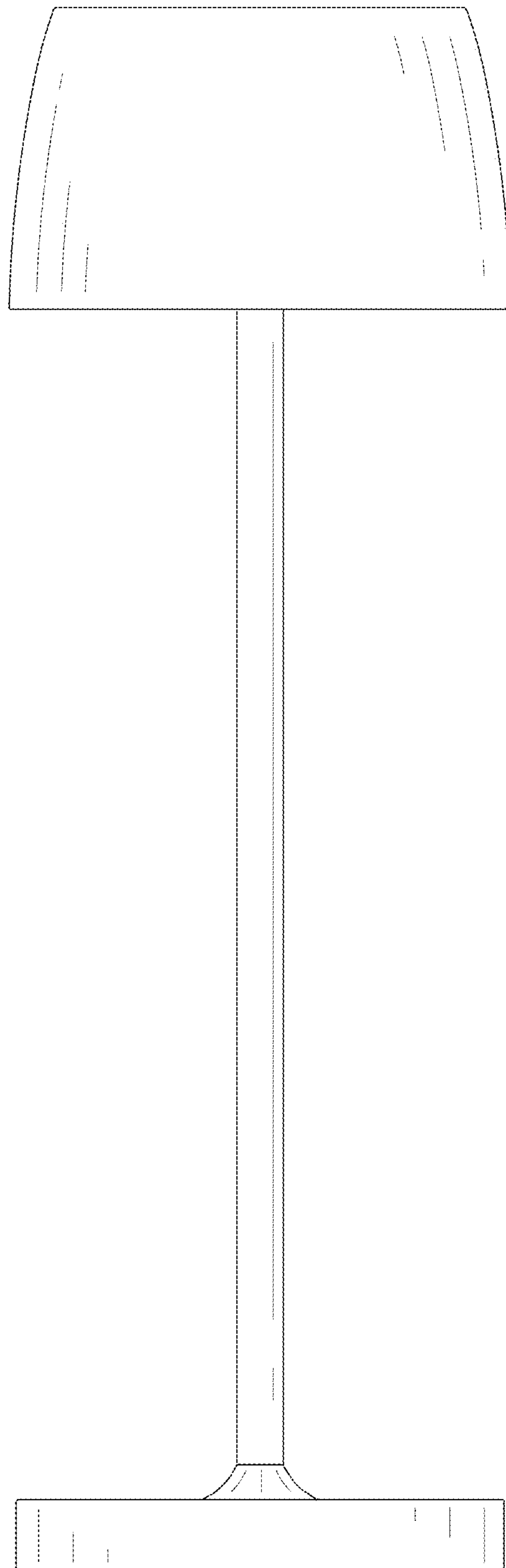


FIG. 5

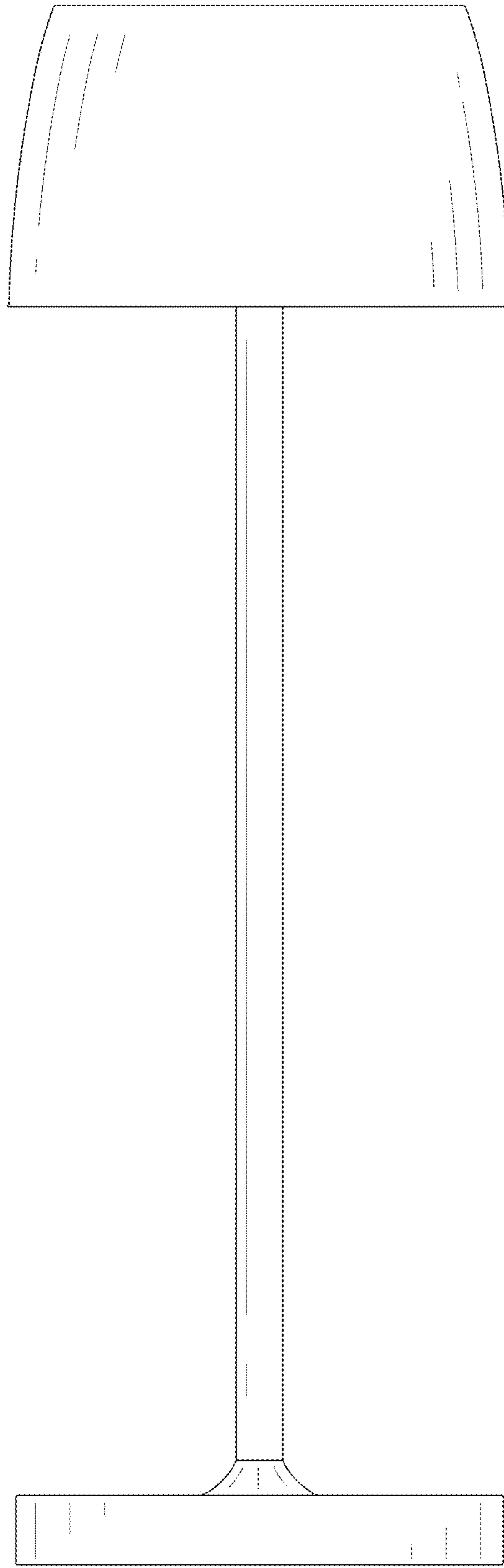


FIG. 6

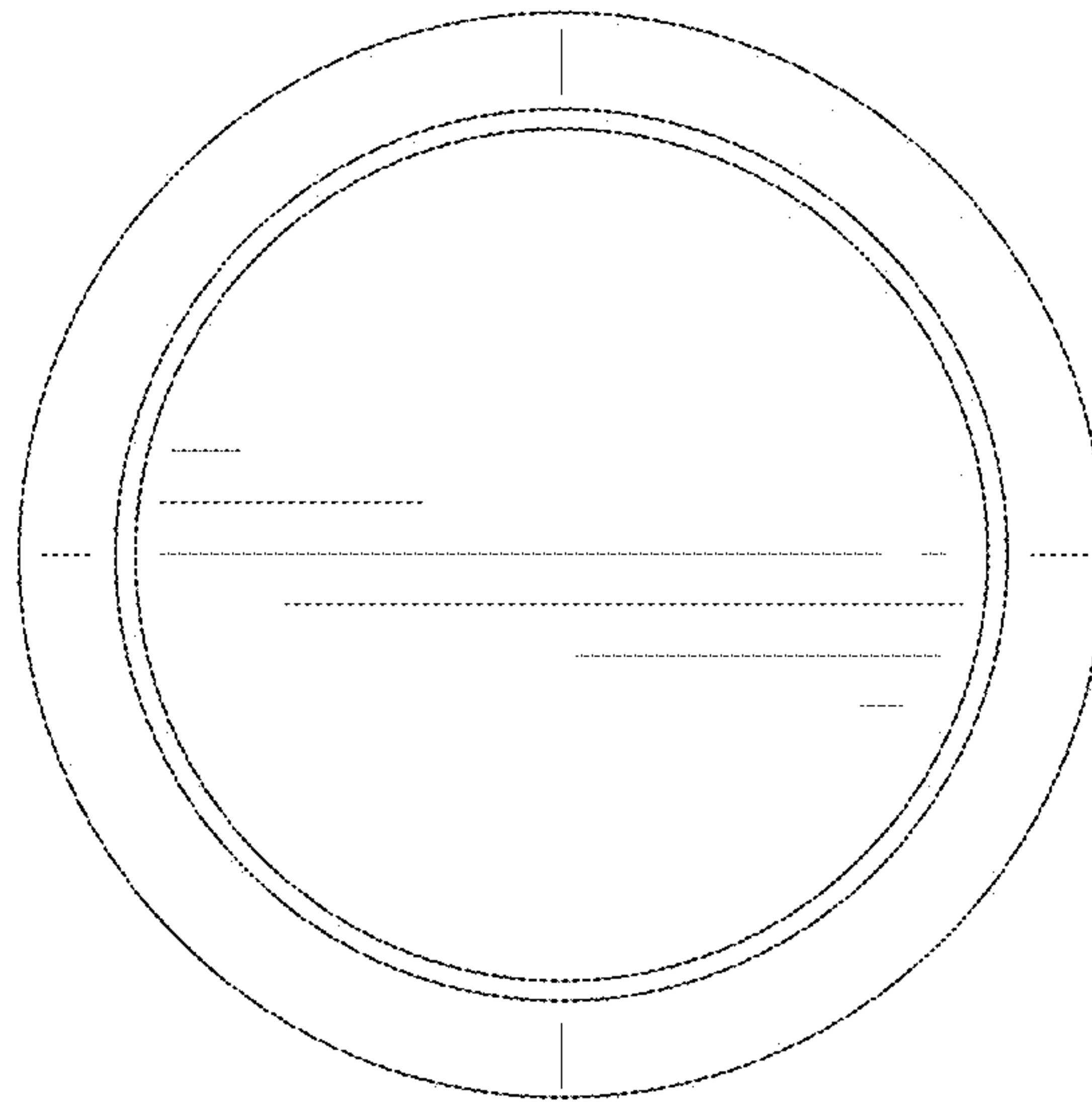


FIG. 7

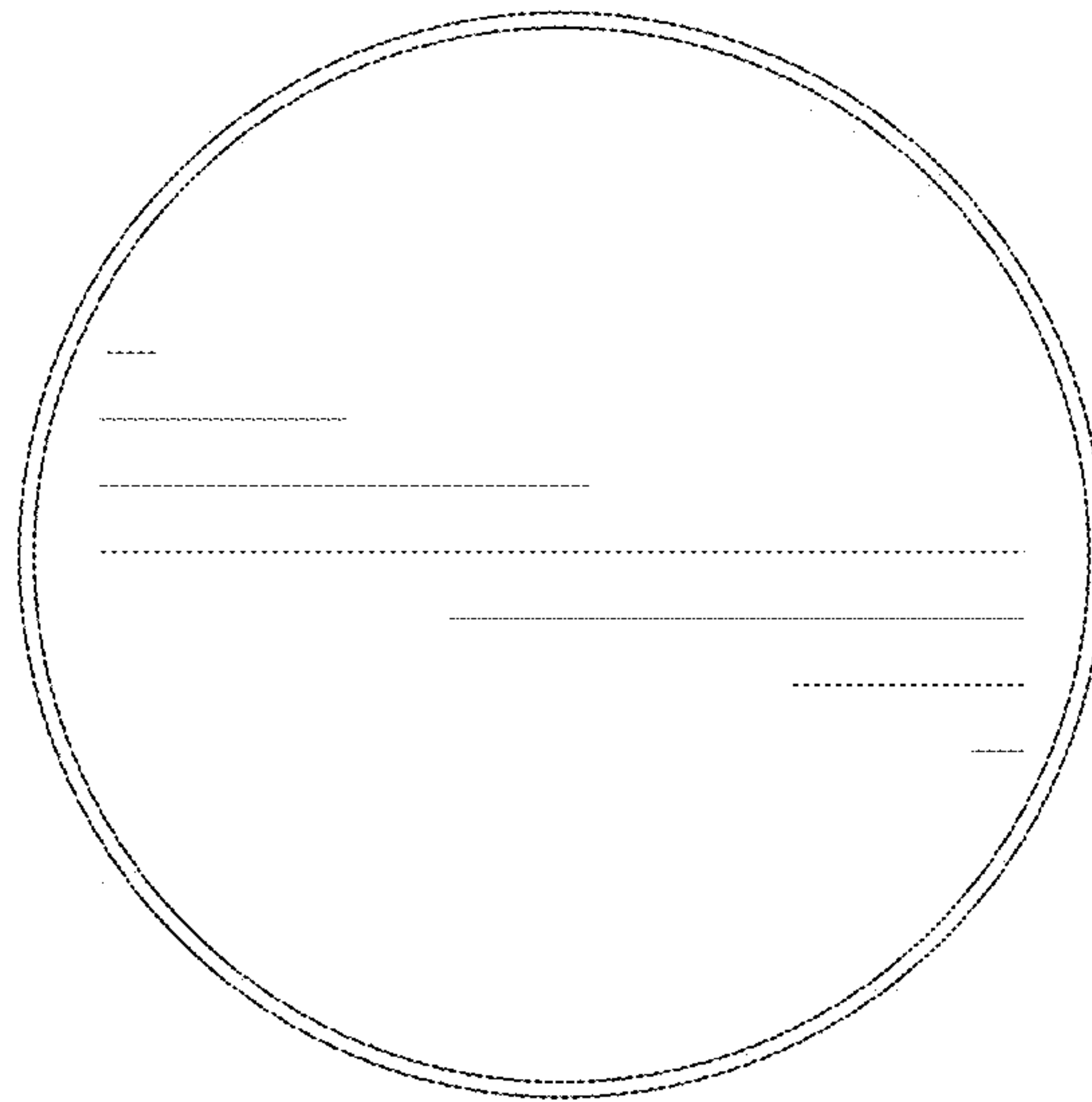


FIG. 8