



US00D987164S

(12) **United States Design Patent** (10) **Patent No.:** **US D987,164 S**
Li (45) **Date of Patent:** **** May 23, 2023**

(54) **TABLE LAMP**

(71) Applicant: **Yanan Li**, Jiyuan (CN)

(72) Inventor: **Yanan Li**, Jiyuan (CN)

(**) Term: **15 Years**

(21) Appl. No.: **29/885,064**

(22) Filed: **Feb. 20, 2023**

(51) **LOC (14) Cl.** **26-05**

(52) **U.S. Cl.**
USPC **D26/93**

(58) **Field of Classification Search**
USPC D26/87, 93, 110, 111, 113, 118, 119,
D26/120, 121, 122, 128, 138, 139, 140,
D26/141, 142
CPC F21S 2/00; F21S 4/00; F21S 4/003; F21S
4/005; F21S 4/006; F21S 4/007; F21S
4/008; F21S 6/00; F21S 8/00; F21S
8/024; F21S 8/026; F21S 8/031; F21S
8/033; F21S 8/035-037; F21S 8/04; F21S
8/043; F21S 8/063

See application file for complete search history.

(56) **References Cited**

U.S. PATENT DOCUMENTS

D16,078 S * 5/1885 Thomas D26/40
D289,448 S * 4/1987 Manton D26/110
D289,560 S * 4/1987 Manton D26/110

D394,325 S * 5/1998 Hsu D26/87
D394,519 S * 5/1998 Hsu D26/87
D452,034 S * 12/2001 Dolan D26/110
D454,972 S * 3/2002 De'Armond D26/87
D464,163 S * 10/2002 Orozco D26/92
D469,558 S * 1/2003 DiPasquale D26/87
D523,167 S * 6/2006 Dolan D26/110
D684,721 S * 6/2013 Chen D26/152
D863,654 S * 10/2019 Beattie D26/106
D947,442 S 3/2022 Sun
D948,102 S * 4/2022 Wang D26/104
D967,495 S * 10/2022 Hilland D26/93

* cited by examiner

Primary Examiner — Natasha Vujcic

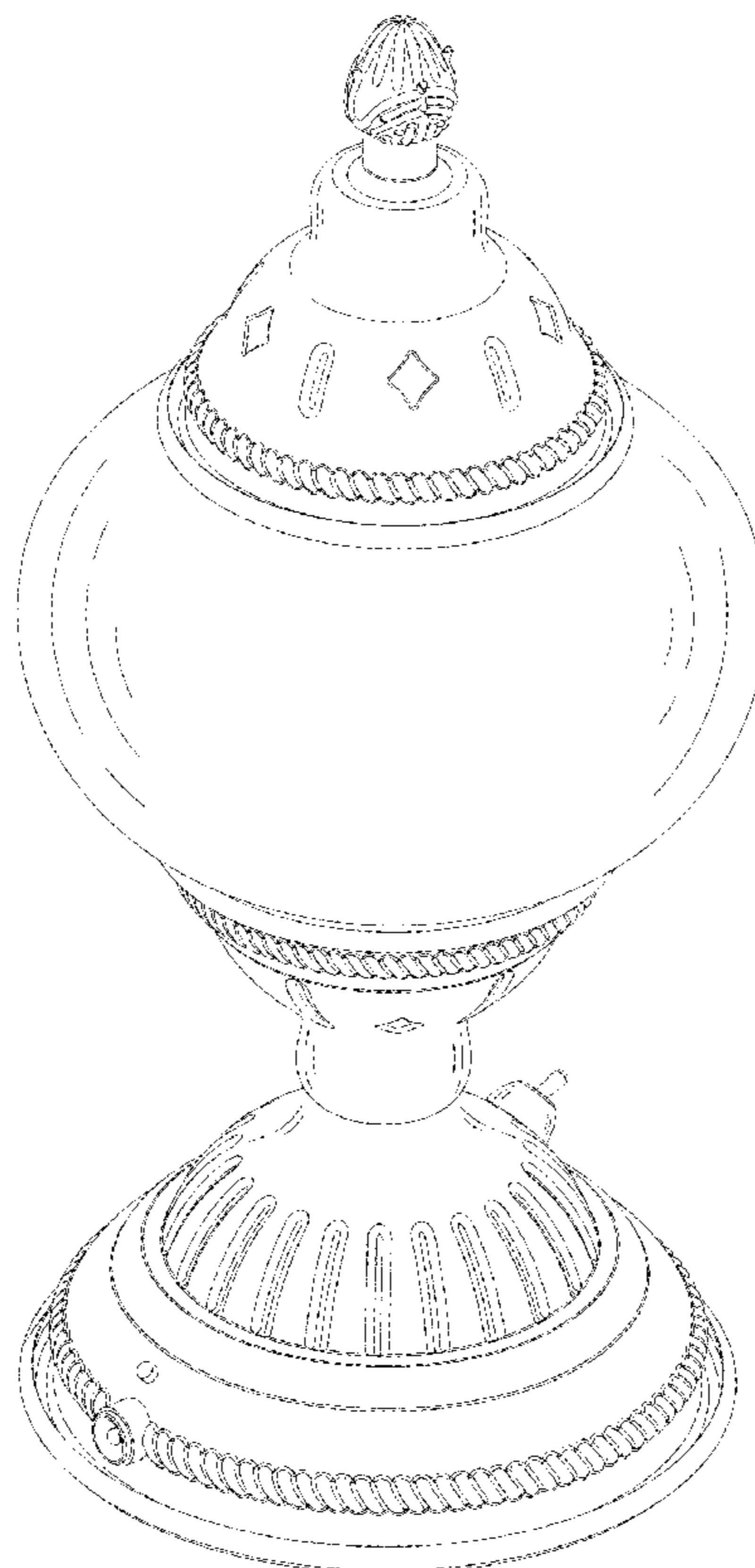
(57) **CLAIM**

The ornamental design for a table lamp, as shown and described.

DESCRIPTION

FIG. 1 is a top perspective view of a table lamp, showing my new design;
FIG. 2 is a bottom perspective view thereof;
FIG. 3 is a front view thereof;
FIG. 4 is a rear view thereof;
FIG. 5 is a left side view thereof;
FIG. 6 is a right side view thereof;
FIG. 7 is a top view thereof; and,
FIG. 8 is a bottom view thereof.
The broken lines in the drawings illustrate the portions of the table lamp, which form no part of the claimed design.

1 Claim, 8 Drawing Sheets



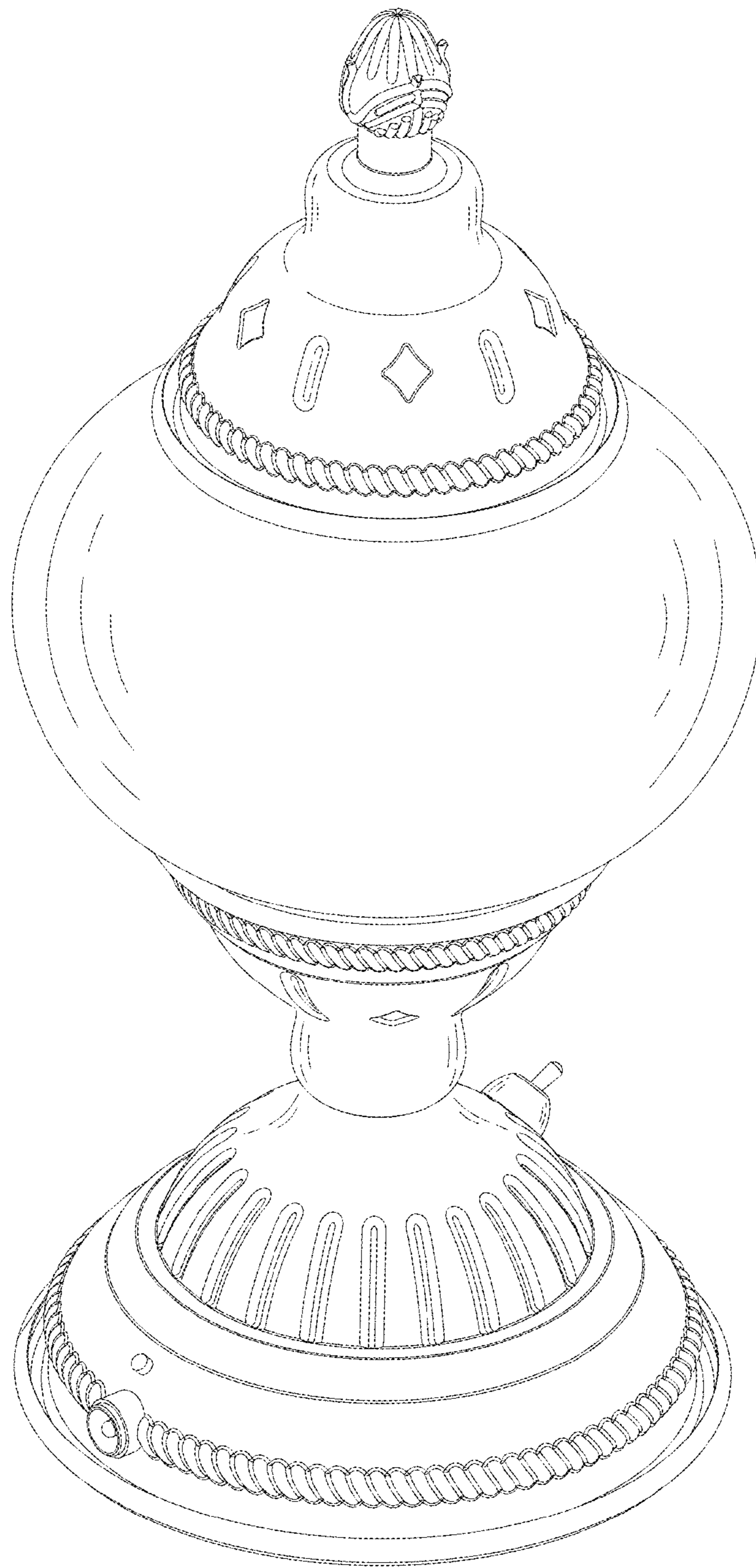


FIG. 1

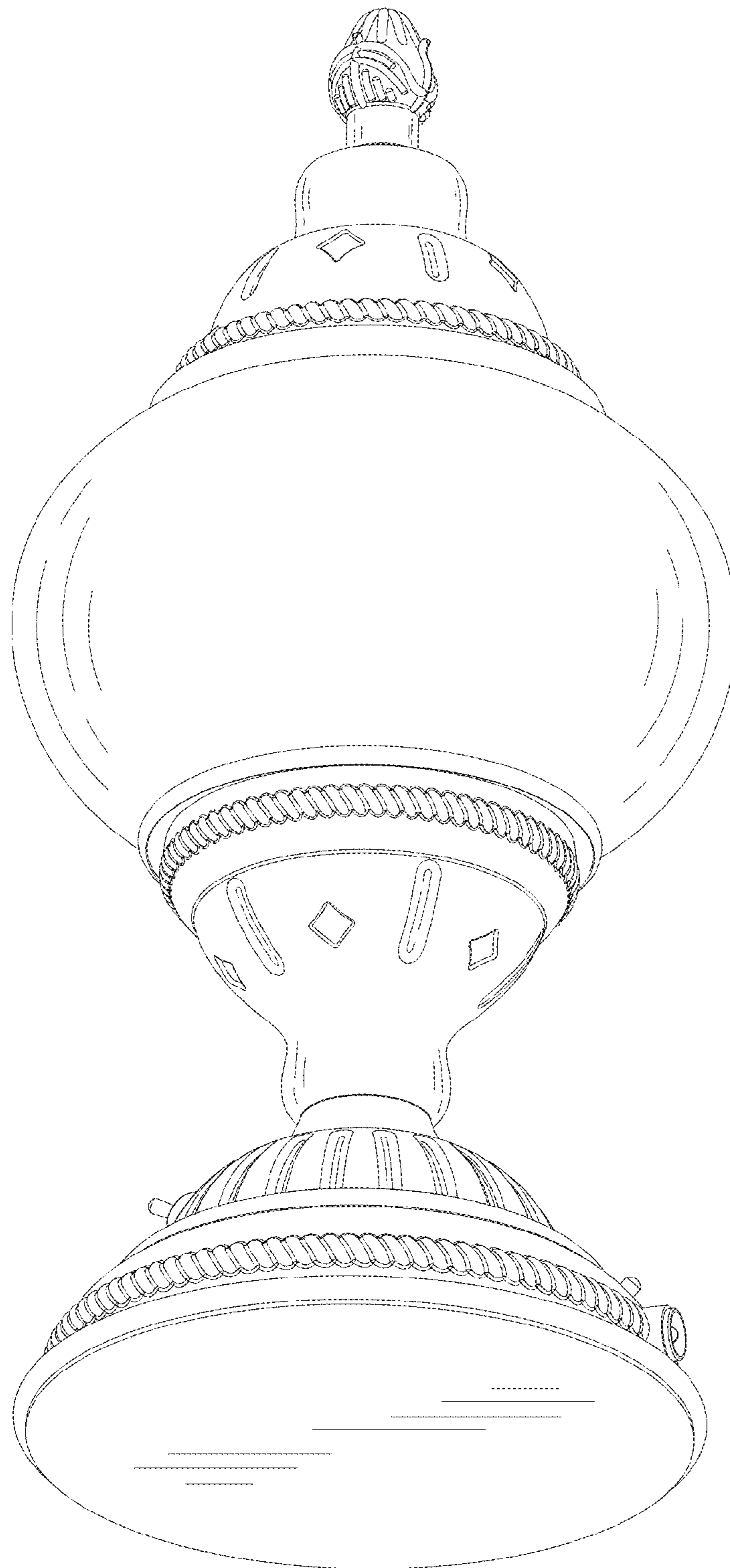


FIG. 2

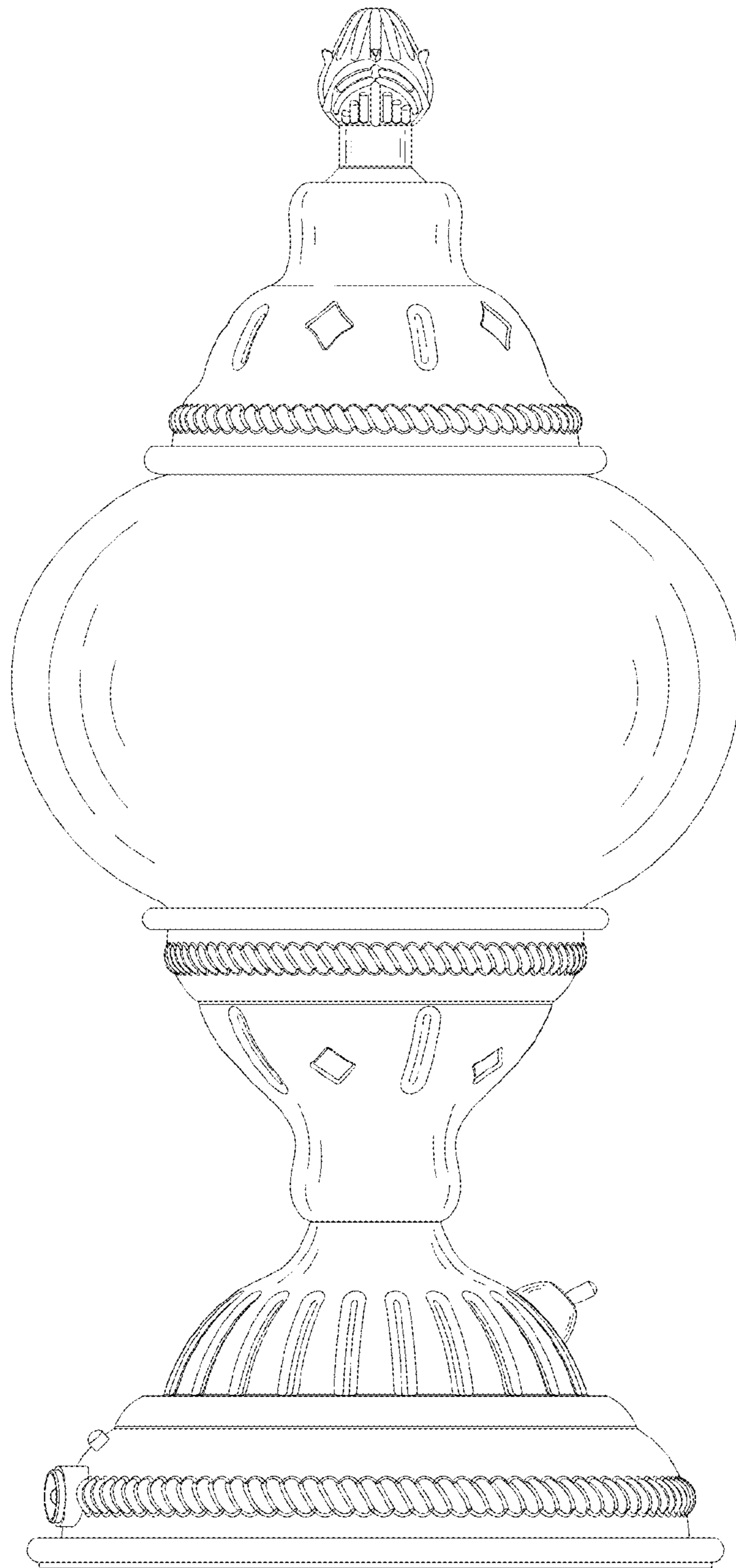


FIG. 3

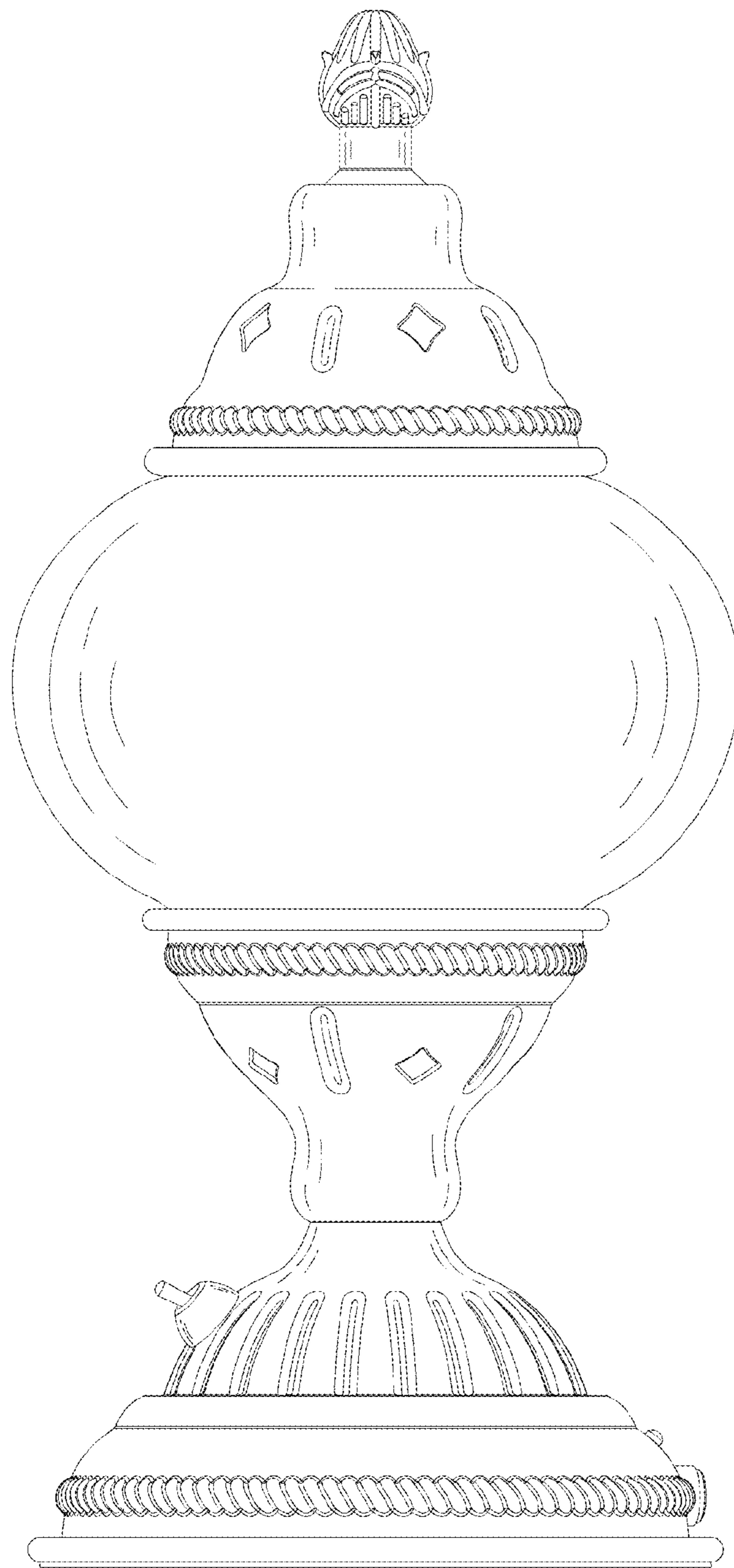


FIG. 4

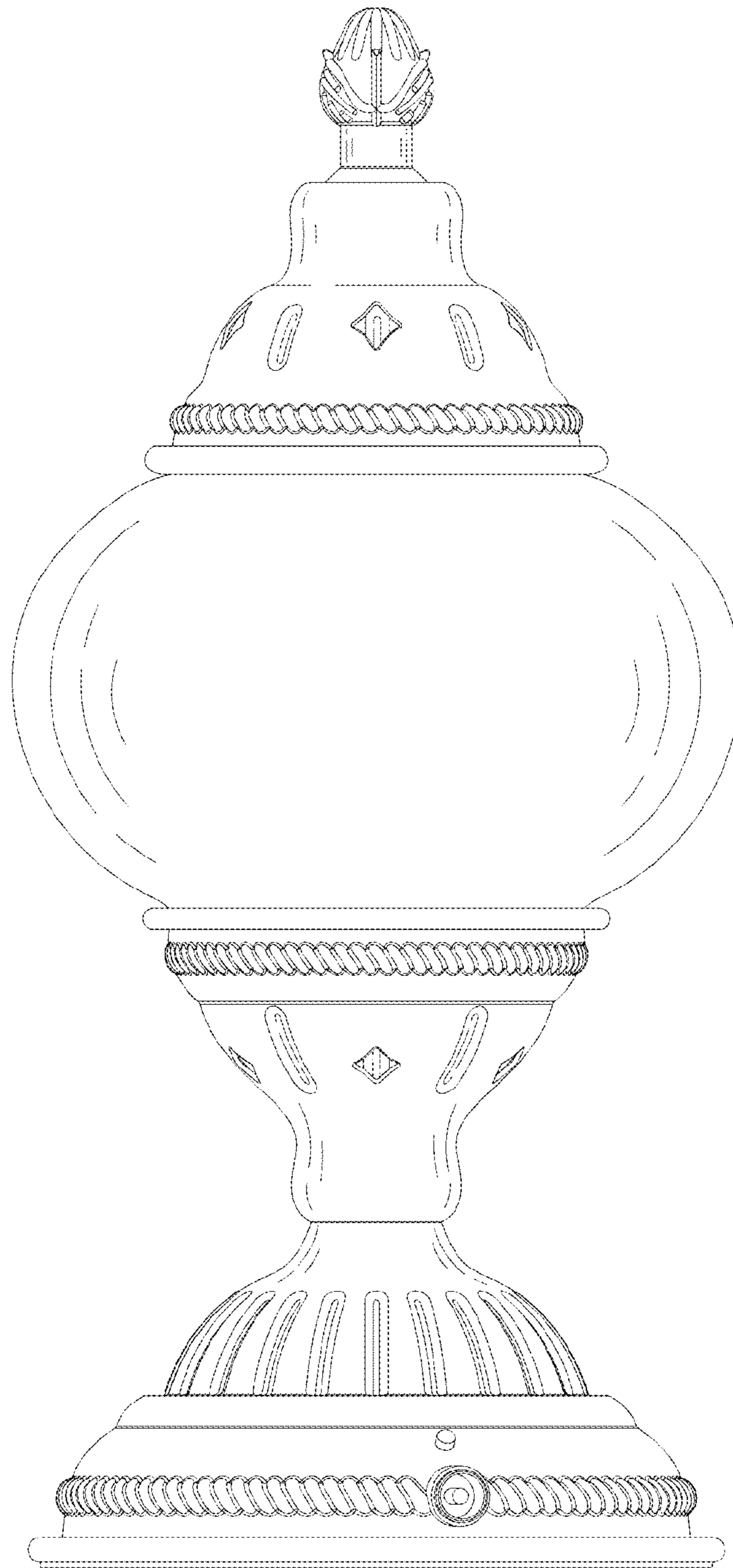


FIG. 5

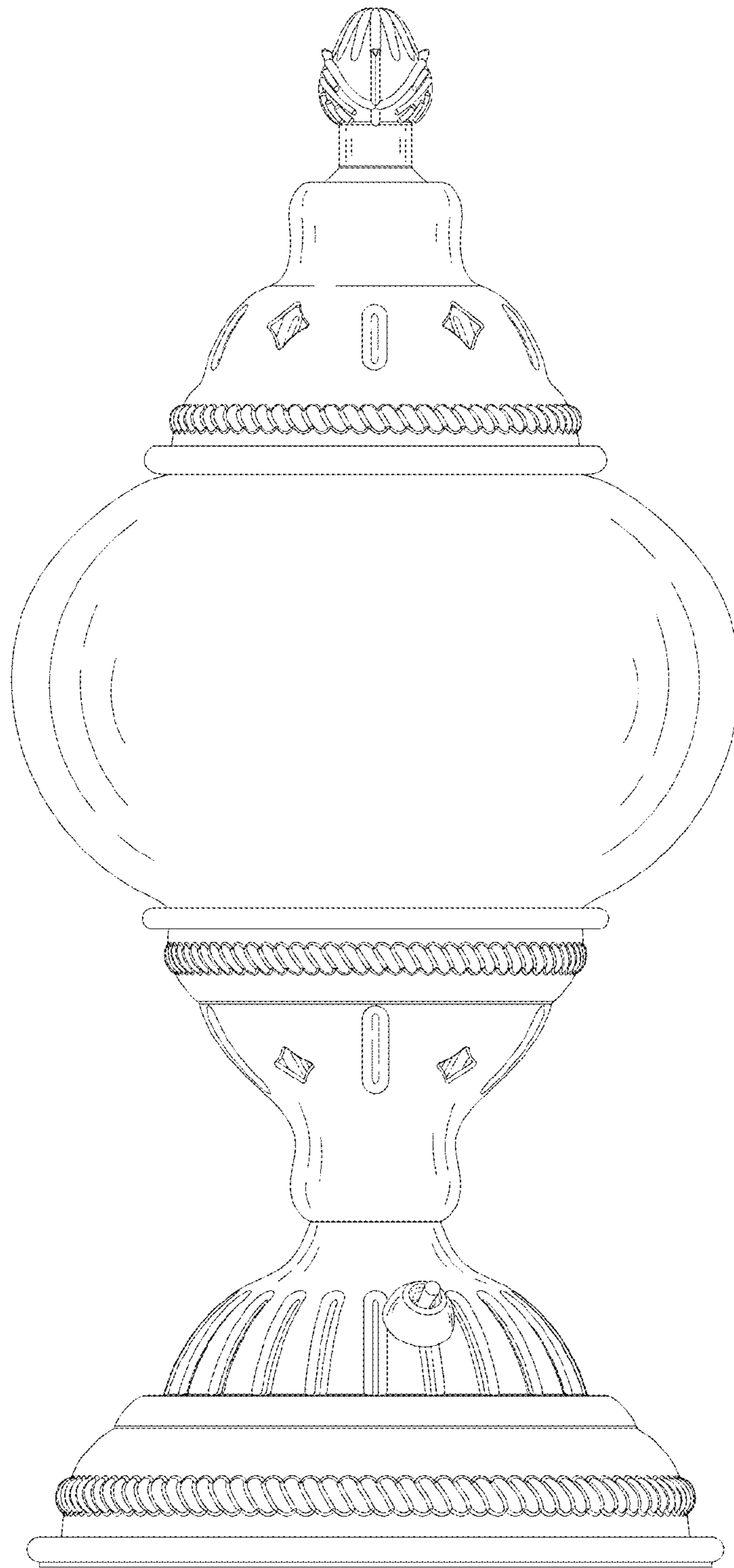


FIG. 6

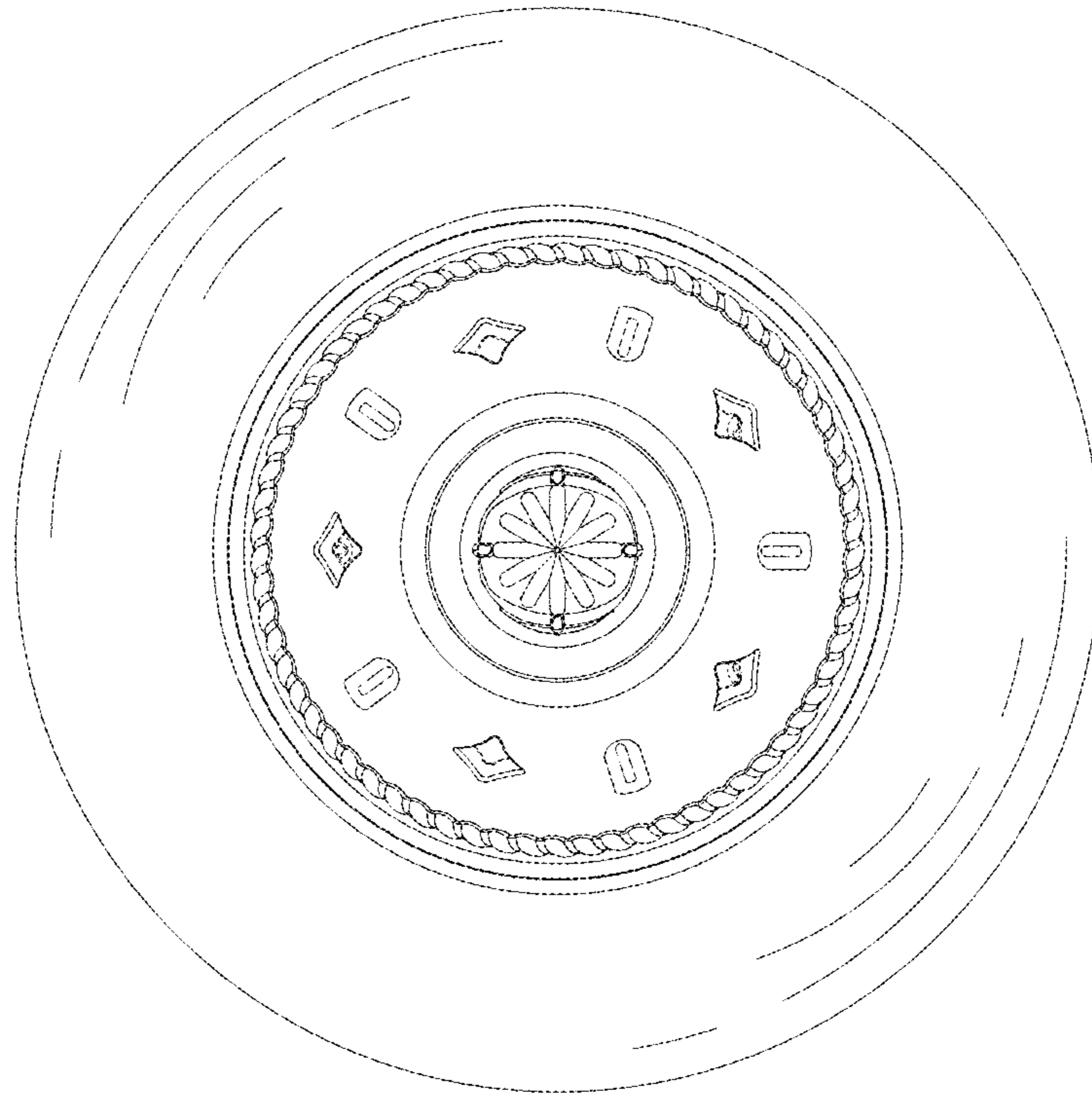


FIG. 7

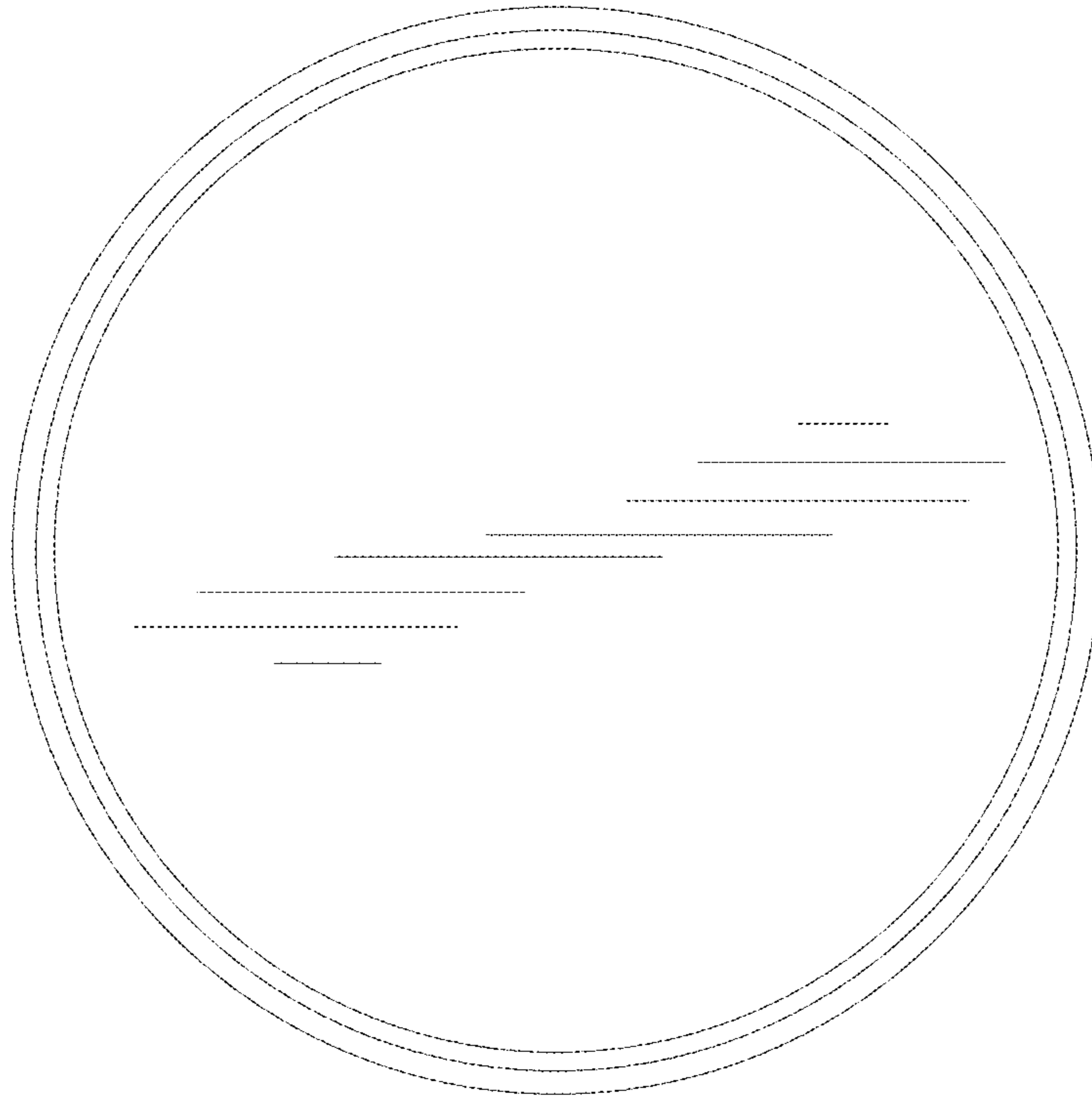


FIG. 8