



US00D987163S

(12) **United States Design Patent** (10) **Patent No.:** **US D987,163 S**  
**Wang** (45) **Date of Patent:** **\*\* May 23, 2023**

(54) **LAMP CAP ASSEMBLY**

(71) Applicant: **Zaibing Wang**, Linhai (CN)

(72) Inventor: **Zaibing Wang**, Linhai (CN)

(\*\*) Term: **15 Years**

(21) Appl. No.: **29/838,941**

(22) Filed: **May 17, 2022**

(30) **Foreign Application Priority Data**

Apr. 29, 2022 (CN) ..... 202230251342.6

(51) **LOC (14) Cl.** ..... **26-05**

(52) **U.S. Cl.**  
USPC ..... **D26/93; D26/72; D26/81; D26/138**

(58) **Field of Classification Search**  
USPC ... D26/2, 22, 25, 26, 36, 49, 72, 73, 74, 78,  
D26/79, 80-93, 118, 123, 124, 128, 138  
(Continued)

(56) **References Cited**

**U.S. PATENT DOCUMENTS**

2,186,469 A \* 1/1940 Wolf ..... F21S 4/10  
362/396  
2,568,537 A \* 9/1951 Boltuch ..... F21S 6/002  
D26/93

(Continued)

**OTHER PUBLICATIONS**

Holiday Lighting Outlet. Oct. 13, 2016. Site visited Oct. 7, 2022.  
[https://www.amazon.com/Holiday-Lighting-Outlet-Replacement-Sockets/dp/B01M4IXN1S/ref=psdc\_495236\_t3\_B01M3PQ1AD](Year: 2016).\*

(Continued)

*Primary Examiner* — Wendy L Arminio  
*Assistant Examiner* — Maheen Khurshid

(57) **CLAIM**

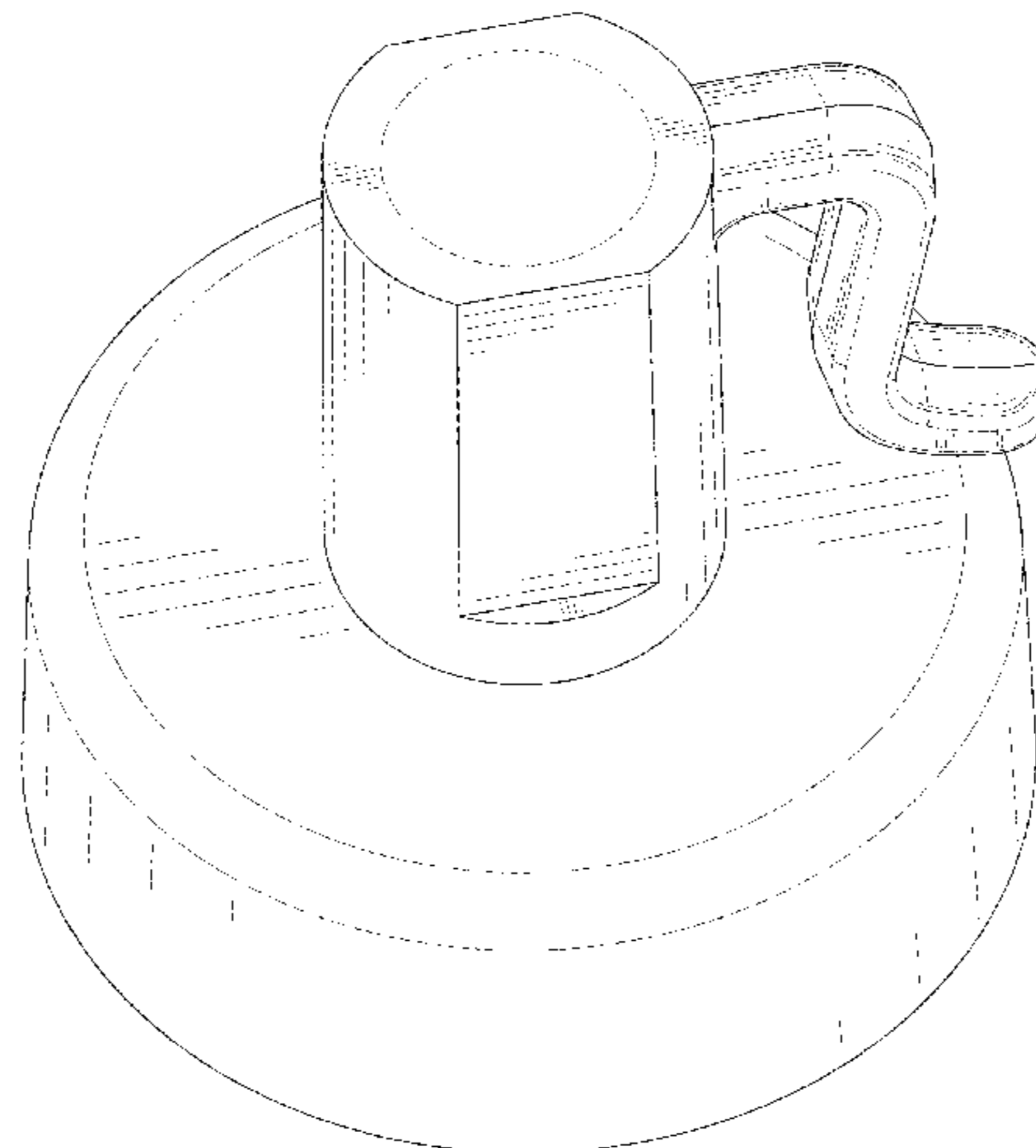
The ornamental design for a lamp cap assembly, as shown and described.

**DESCRIPTION**

FIG. 1 is a perspective view of a first piece of the lamp cap assembly, showing my new design;  
FIG. 2 is a rear and bottom perspective view thereof;  
FIG. 3 is a front elevation view thereof;  
FIG. 4 is a rear elevation view thereof;  
FIG. 5 is a left side elevation view thereof;  
FIG. 6 is a right side elevation view thereof;  
FIG. 7 is a top plan view thereof;  
FIG. 8 is a bottom plan view thereof;  
FIG. 9 is a perspective view of a second piece of the lamp cap assembly;  
FIG. 10 is a rear and bottom perspective view thereof;  
FIG. 11 is a front elevation view thereof;  
FIG. 12 is a rear elevation view thereof;  
FIG. 13 is a left side elevation view thereof;  
FIG. 14 is a right side elevation view thereof;  
FIG. 15 is a top plan view thereof;  
FIG. 16 is a bottom plan view thereof;  
FIG. 17 is a perspective view of a third piece of the lamp cap assembly;  
FIG. 18 is a rear and bottom perspective view thereof;  
FIG. 19 is a front elevation view thereof;  
FIG. 20 is a rear elevation view thereof;  
FIG. 21 is a left side elevation view thereof;  
FIG. 22 is a right side elevation view thereof;  
FIG. 23 is a top plan view thereof;  
FIG. 24 is a bottom plan view thereof;  
FIG. 25 is an exploded perspective view showing the order of assembly of the three pieces of the lamp cap assembly;  
FIG. 26 is a perspective view of the lamp cap assembly shown in a fully assembled configuration; and  
FIG. 27 is another perspective view of the lamp cap assembly shown in a fully assembled configuration and in a state of use.

The broken lines in FIG. 27 illustrating features at the top and bottom depict environment and form no part of the

(Continued)



claimed design. Other broken lines in the figures illustrate portions of the lamp cap assembly that form no part of the claimed design.

**1 Claim, 27 Drawing Sheets**

**(58) Field of Classification Search**

CPC .... F21S 8/04; F21S 8/043; F21S 8/046; F21S 8/06; F21S 8/061; F21S 8/063; F21S 8/065; F21S 8/066; F21S 8/068

See application file for complete search history.

**(56) References Cited**

**U.S. PATENT DOCUMENTS**

3,719,820	A *	3/1973	Yarmark .....	F21V 19/006	362/382
4,975,813	A *	12/1990	Chen .....	H01R 33/22	362/394
5,012,397	A *	4/1991	Tseng .....	F21V 17/06	362/237
D335,550	S *	5/1993	Neustadt .....	D26/118	
5,278,741	A *	1/1994	Ehrman .....	H01R 33/09	439/375
6,155,695	A *	12/2000	Sealy .....	F21V 17/04	362/255
6,224,238	B1 *	5/2001	Chen .....	F21S 4/10	439/744
6,481,875	B1 *	11/2002	Bryant .....	F21V 17/06	439/910
D480,498	S *	10/2003	McBride .....	D26/113	
6,824,404	B1 *	11/2004	Sugar .....	H01R 33/965	439/135

D709,643	S *	7/2014	Kohler .....	D26/138
9,496,640	B1 *	11/2016	Middleton .....	F21V 17/007
D792,637	S *	7/2017	Godlewski .....	D26/118
D818,185	S *	5/2018	Wilson .....	D26/138
D885,635	S *	5/2020	Cao .....	D26/81
D889,734	S *	7/2020	Park .....	D26/138
D890,409	S *	7/2020	Park .....	D26/138
D903,926	S	12/2020	Gong	
D935,681	S *	11/2021	Gong .....	D26/81
D945,689	S *	3/2022	Gong .....	D26/110
2003/0147236	A1 *	8/2003	Chang .....	A47G 33/06
				362/249.19

**OTHER PUBLICATIONS**

White C7 Socket SPT1. Jun. 13, 2016. Site visited Oct. 7, 2022. [https://www.amazon.com/White-Socket-SPT1-100-PCS/dp/B01NAKEIYW/ref=psdc\_6355949011\_t1\_B0B77FYQRY] (Year: 2016).\*

Candle Bulb Socket. Jul. 21, 2022. Site visited Oct. 7, 2022. [https://www.amazon.com/dp/B0B77FYQRY/ref=sspa\_dk\_detail\_4?psc=1&pd\_rd\_i=B0B77FYQRY&pd\_rd\_w=MhcEH&content-id=amzn1.sym.46bad5f6-1f0a-4167-9a8b-c8a82fa48a54&pf\_rd\_p=46bad5f6-1f0a-4167-9a8b-c8a82fa48a54&pf\_rd\_r=9ZJCV7QZ19594F05EZ81&pd\_rd\_wg=Kr2cj&pd\_rd\_r=c46d0626-ae2e-4383-820e-fcad7d13ea0e&s=hi&sp\_csd=d2lkZ2V0TmFtZT1zcF9kZXRhaWw] (Year: 2022).\*

Brightech Ambience Pro Solar Powered LED Outdoor String Lights. Jan. 7, 2019. Site visited Oct. 7, 2022. [https://www.amazon.com/Brightech-Ambience-Pro-Waterproof-Filament/dp/B07MLSM1BS/ref=sr\_1\_19?crid=3ADR9X3QG6BLV&keywords=string%2Blighting%2BOutlet%2Bwith%2Bclip&qid=1665174222&s=hi&sprefix=string%2Blighting%2BOutlet%2Bwith%2Bclip%2Ctools%2C80&sr=1-19&th=1] (Year: 2019).\*

\* cited by examiner

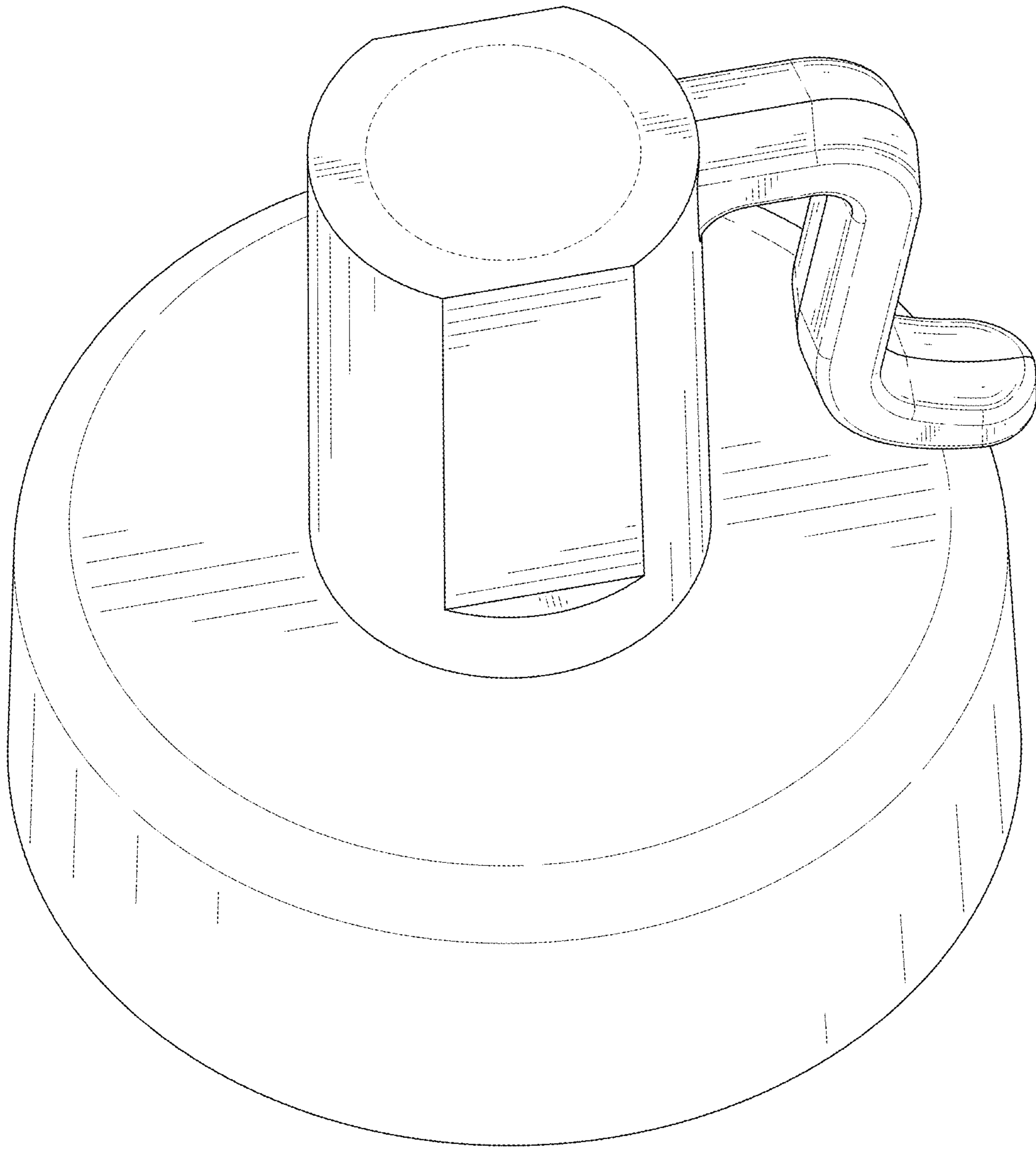


FIG. 1

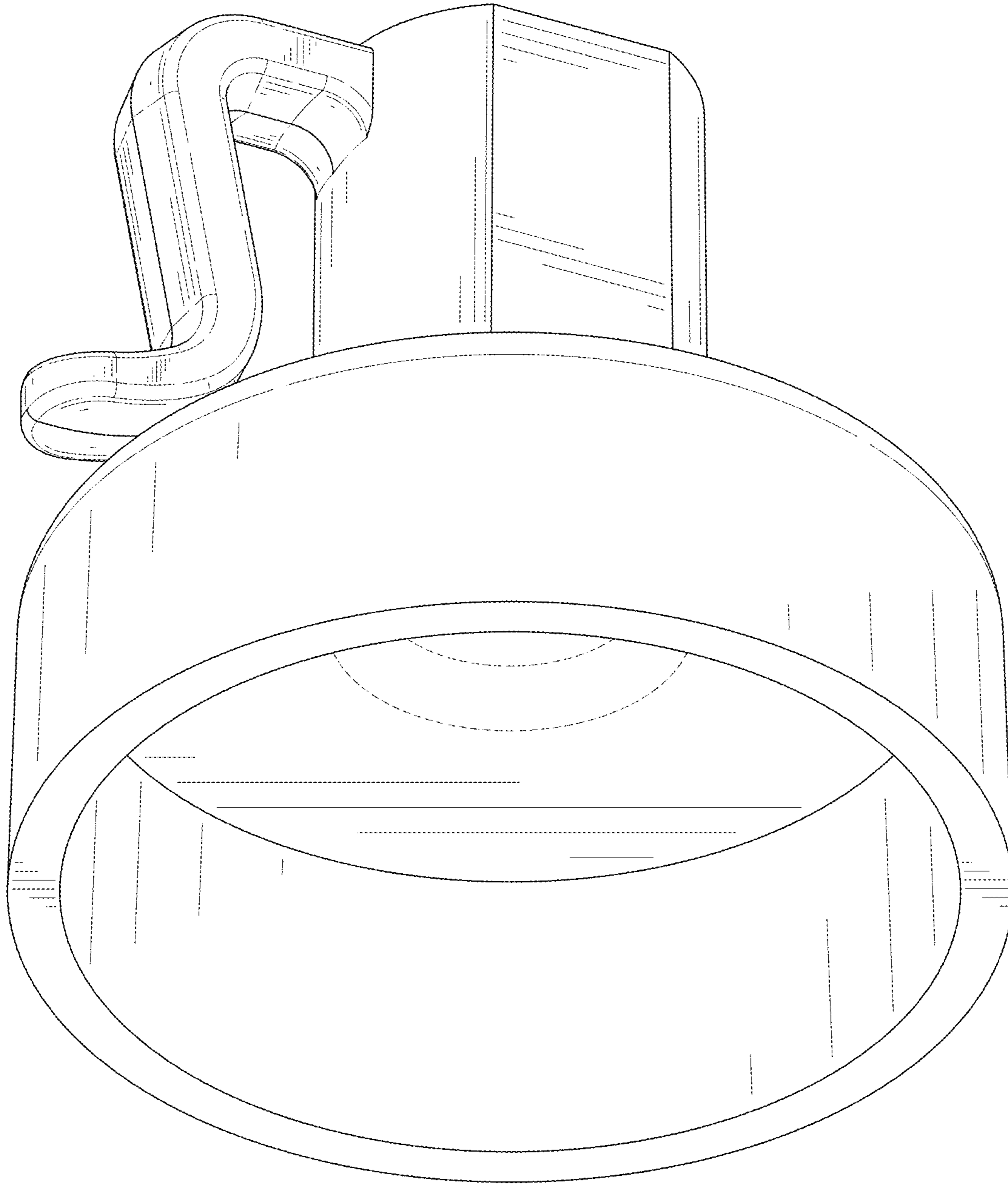


FIG. 2

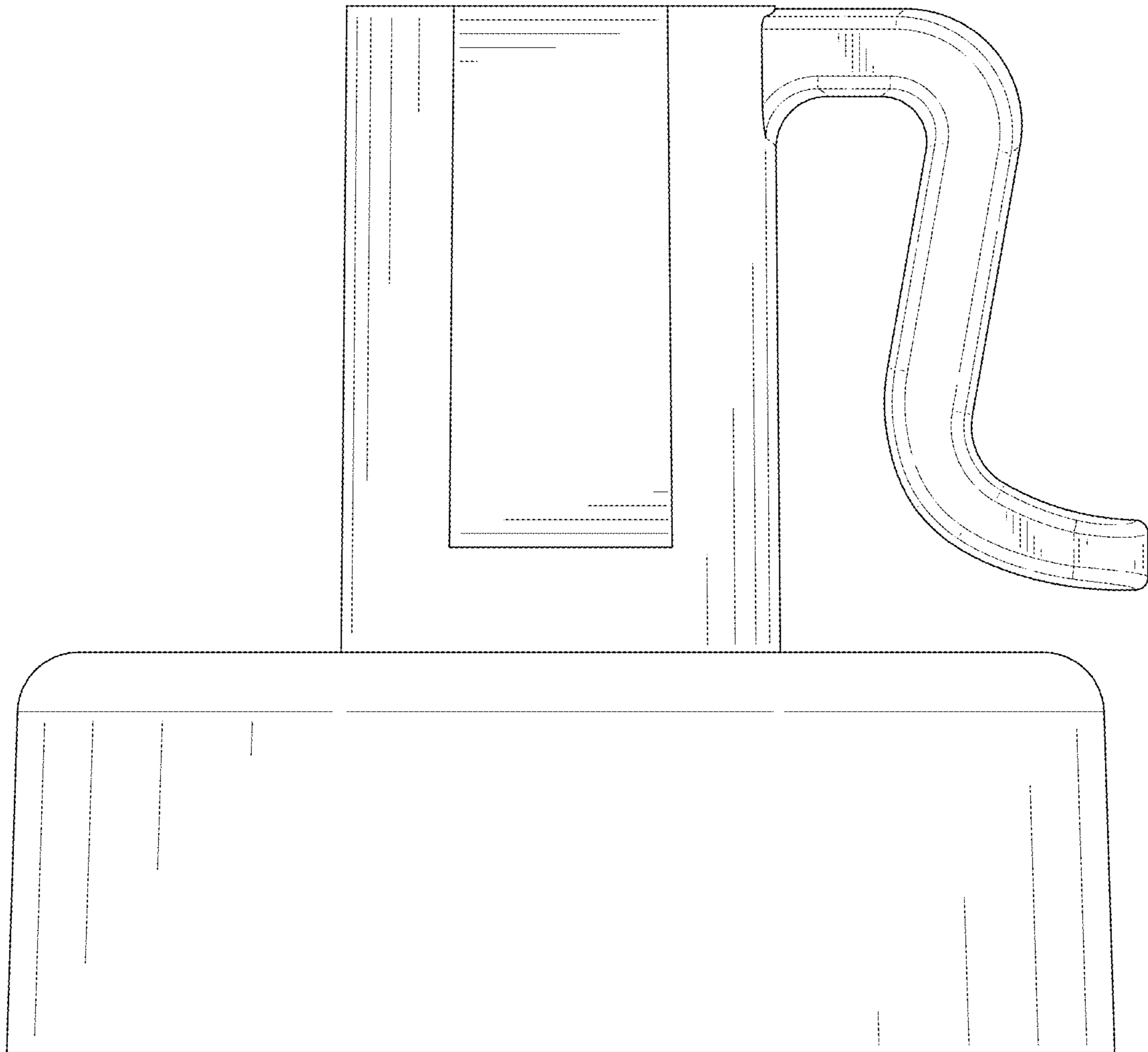


FIG. 3

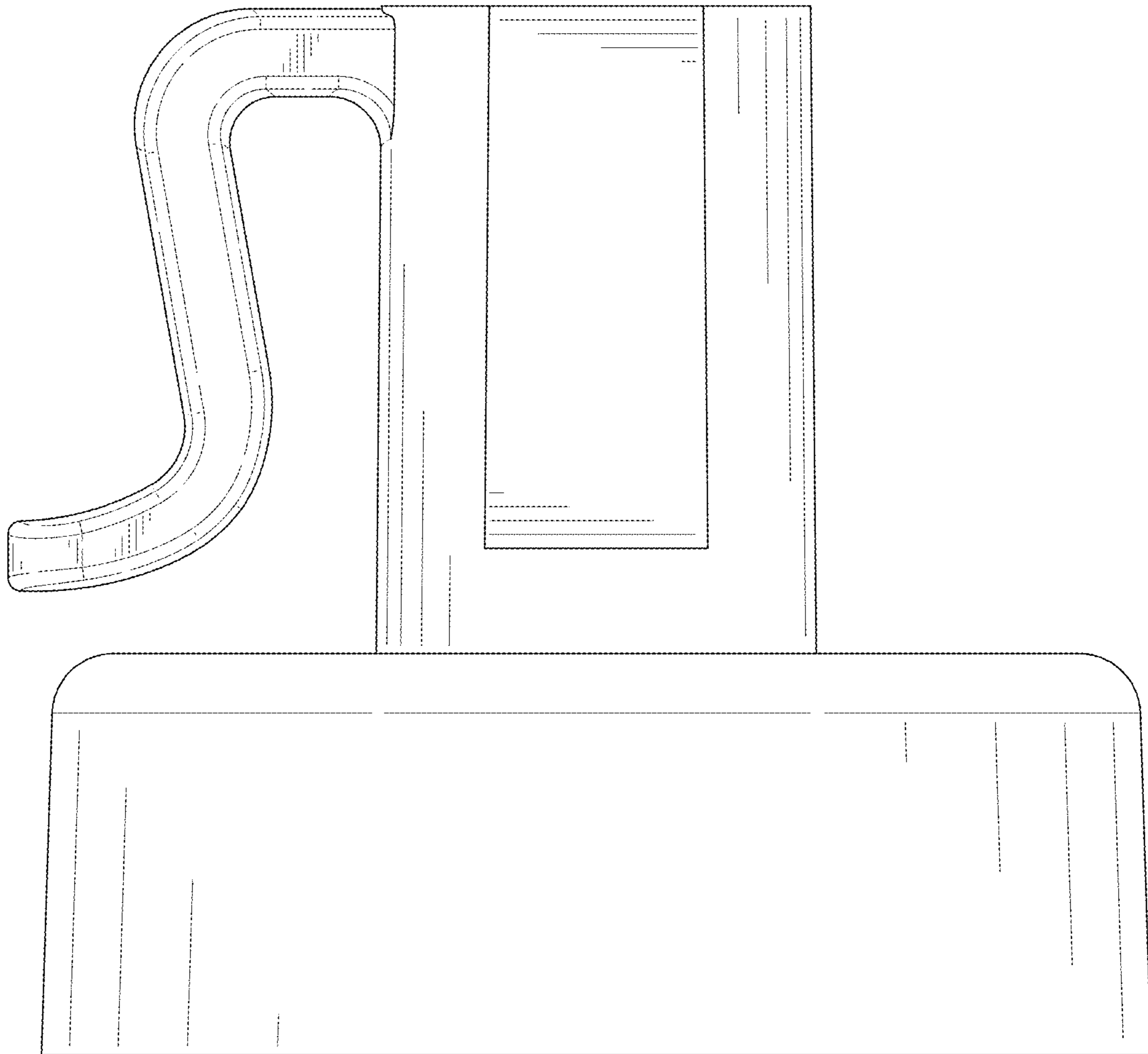


FIG. 4

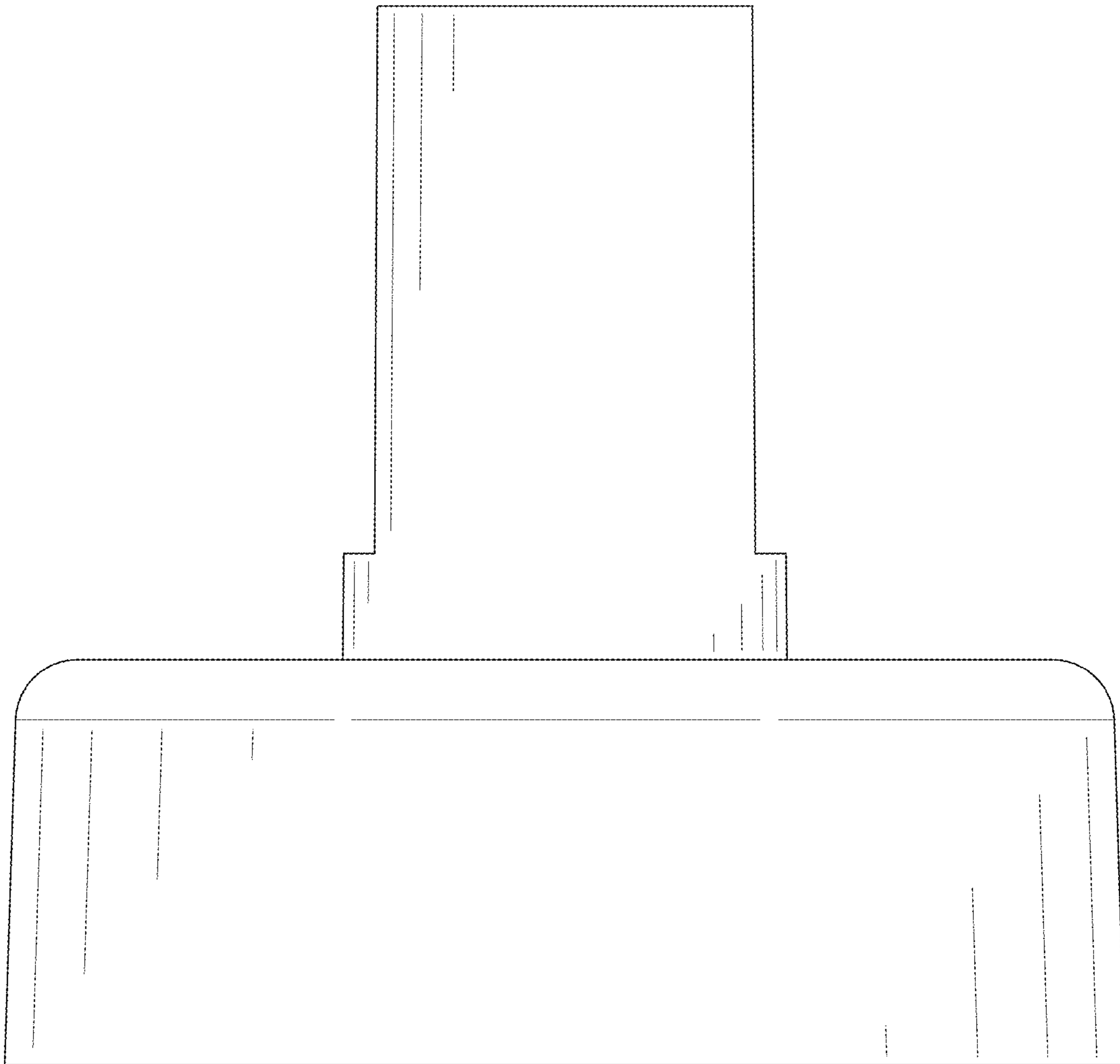


FIG. 5

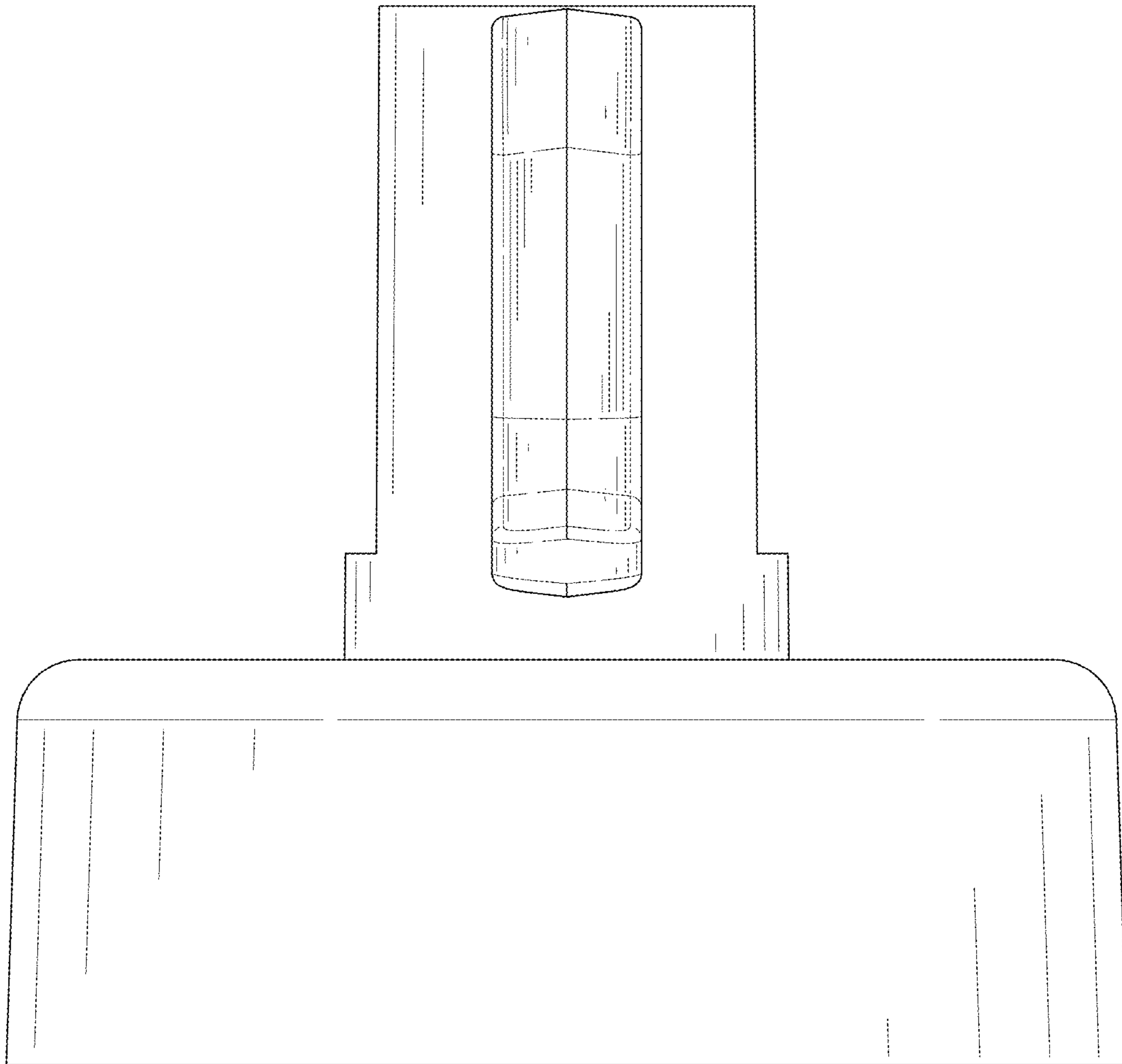


FIG. 6



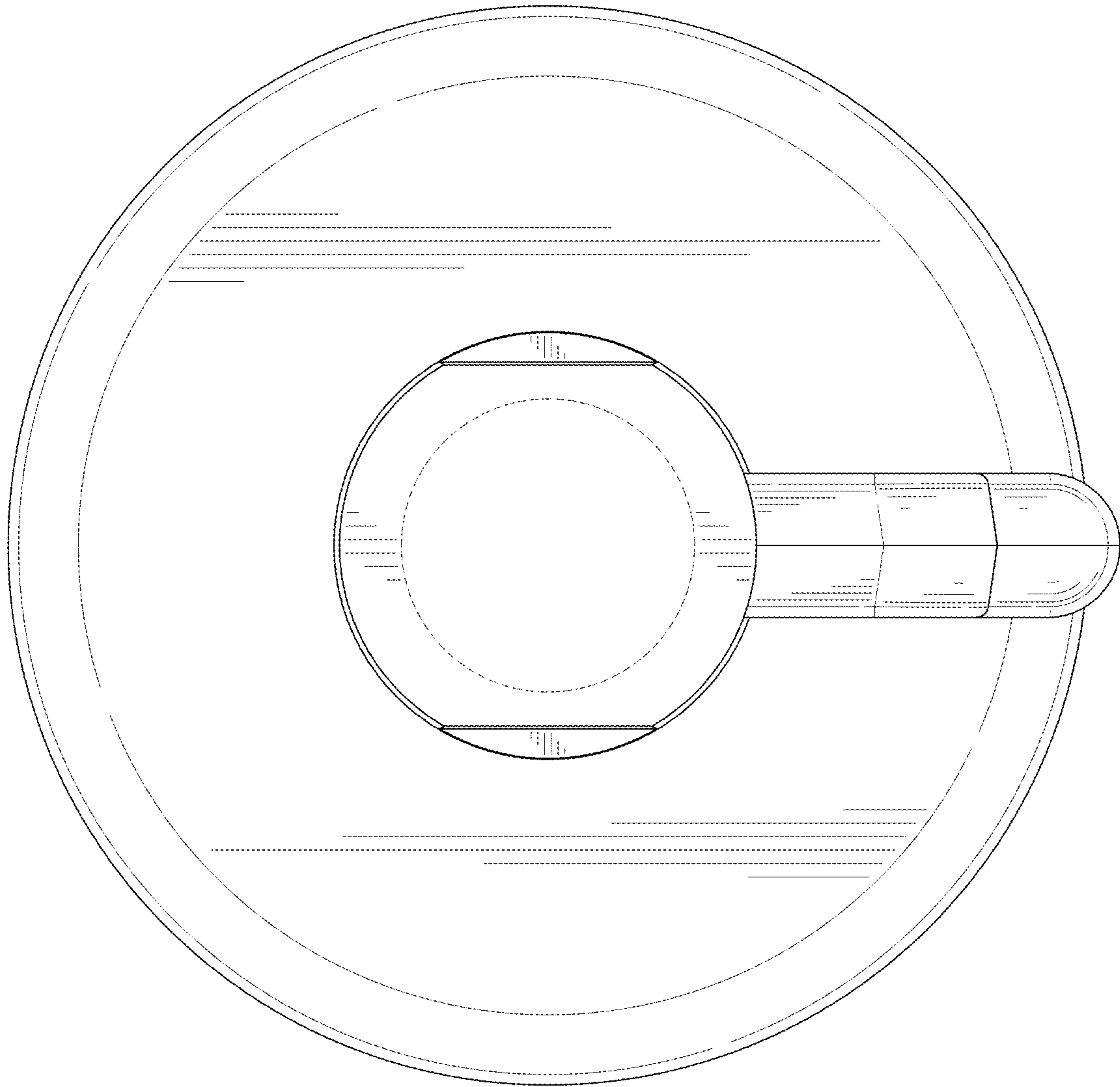


FIG. 7

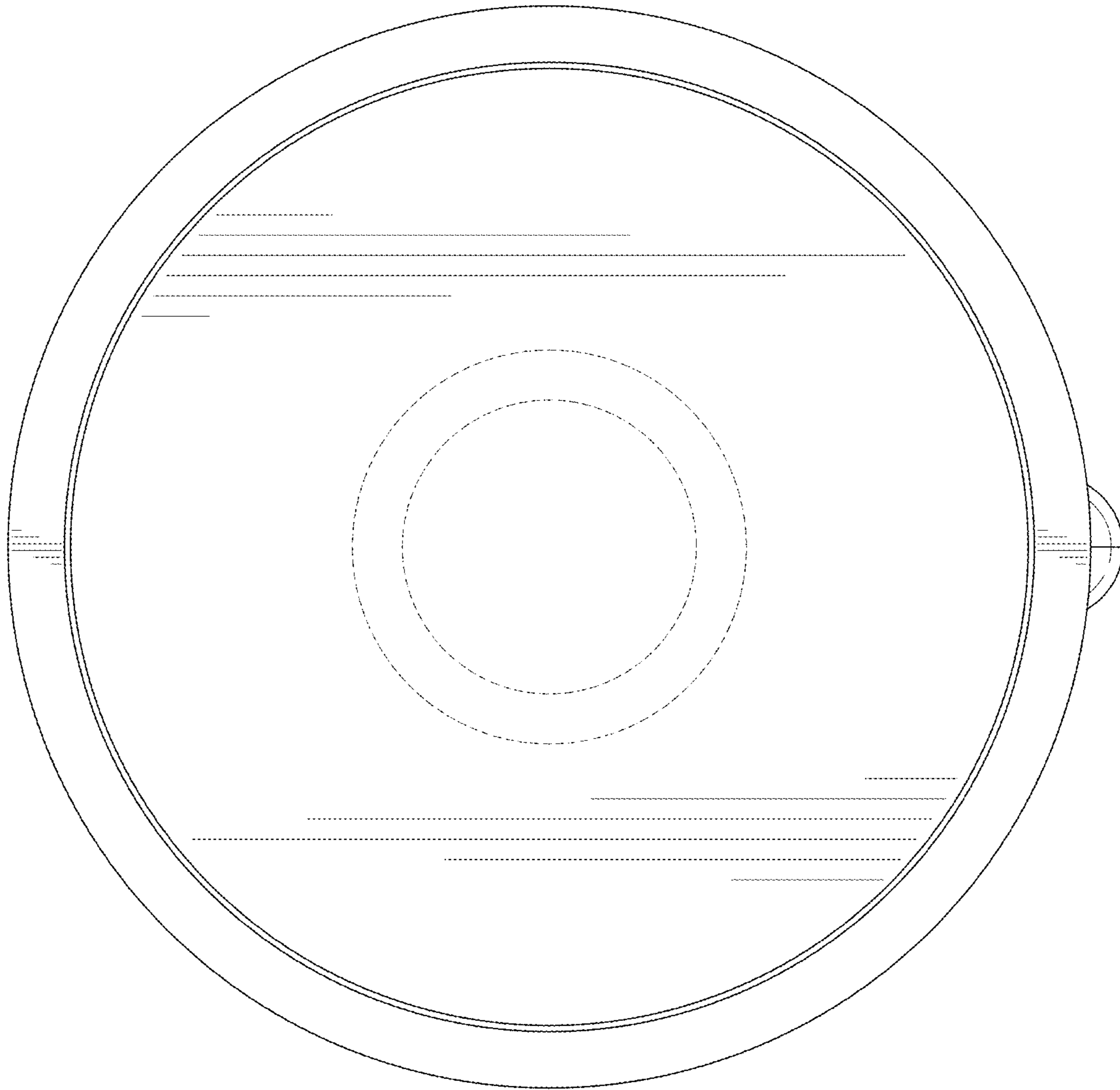


FIG. 8

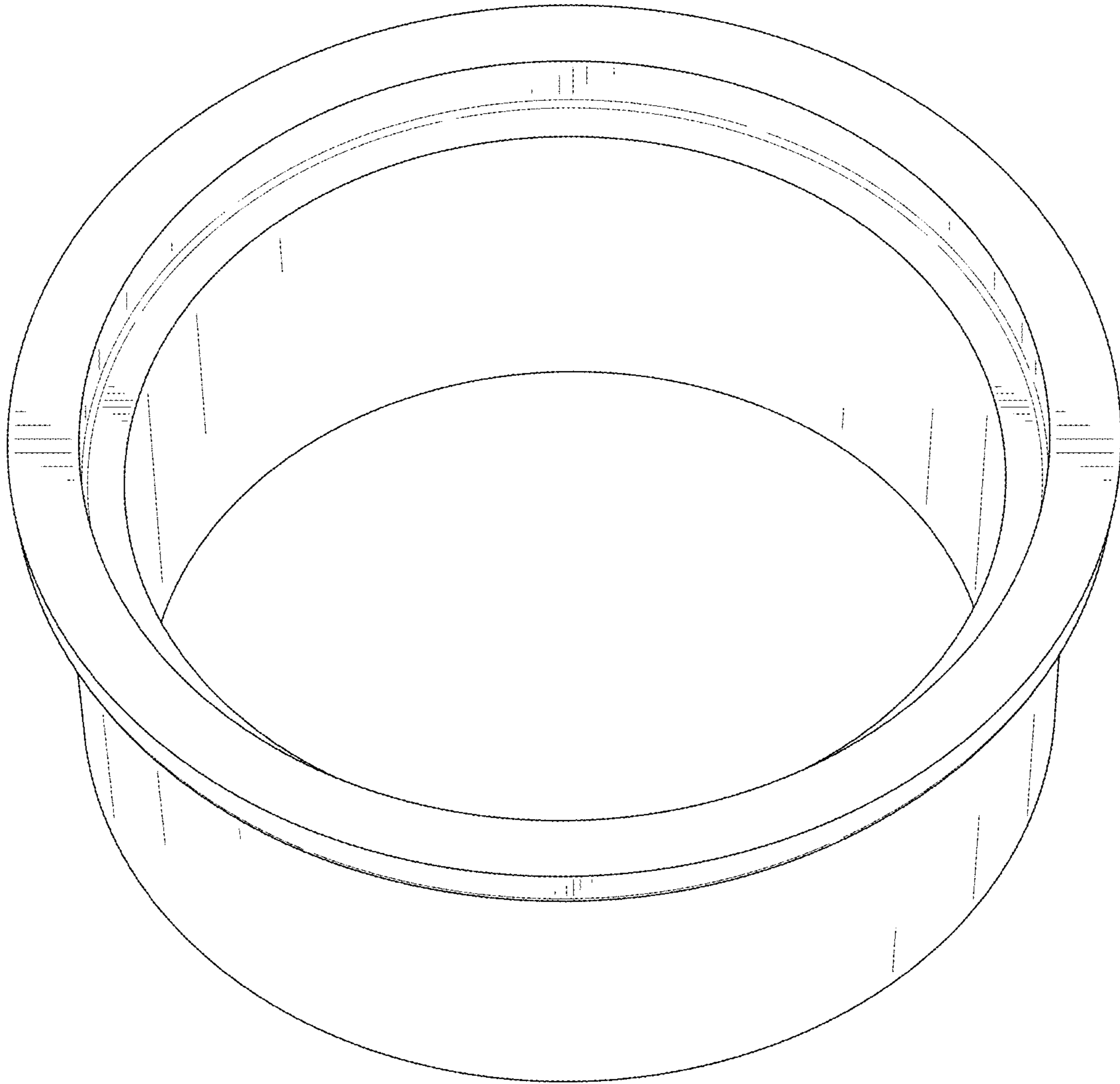


FIG. 9

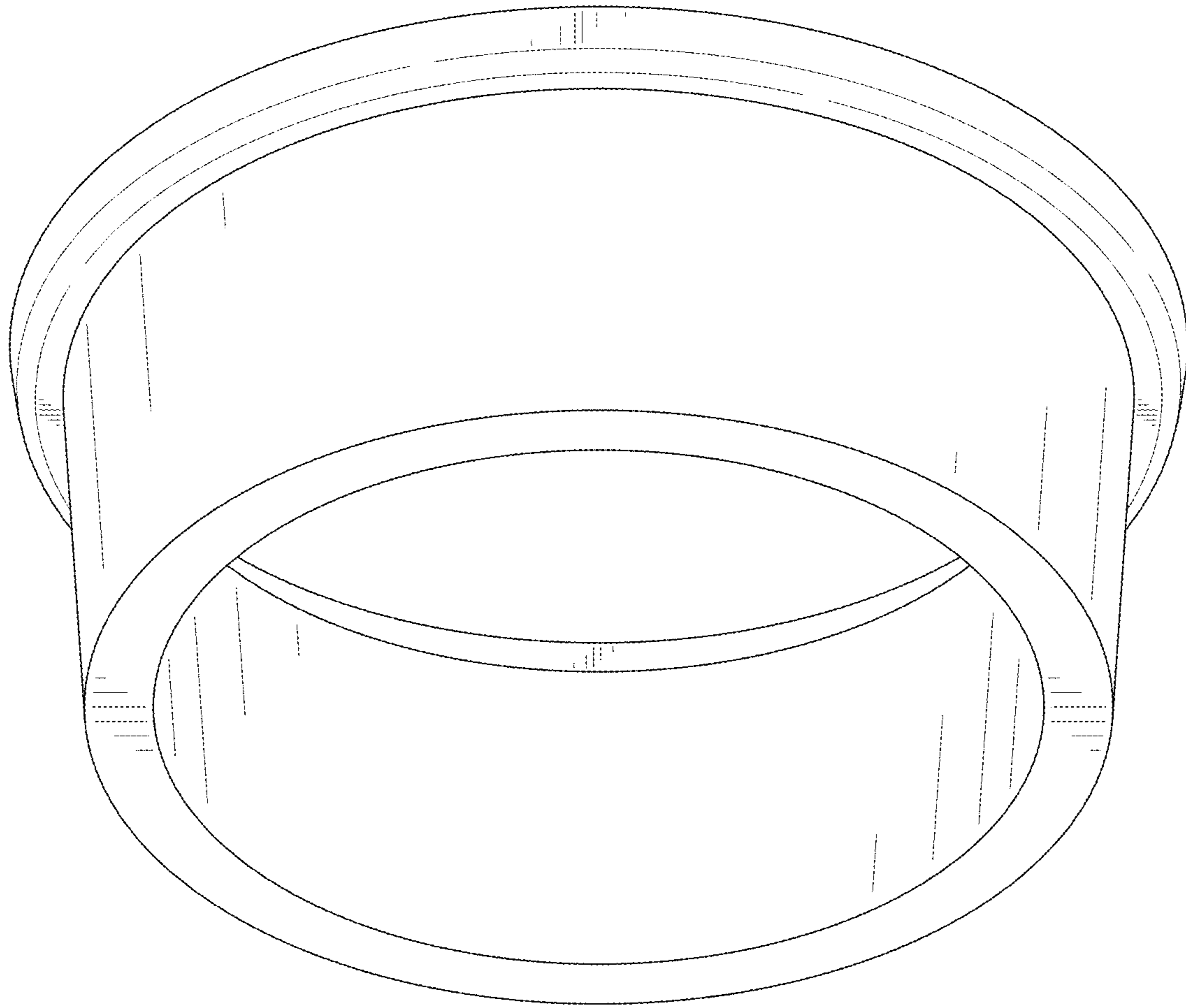


FIG. 10

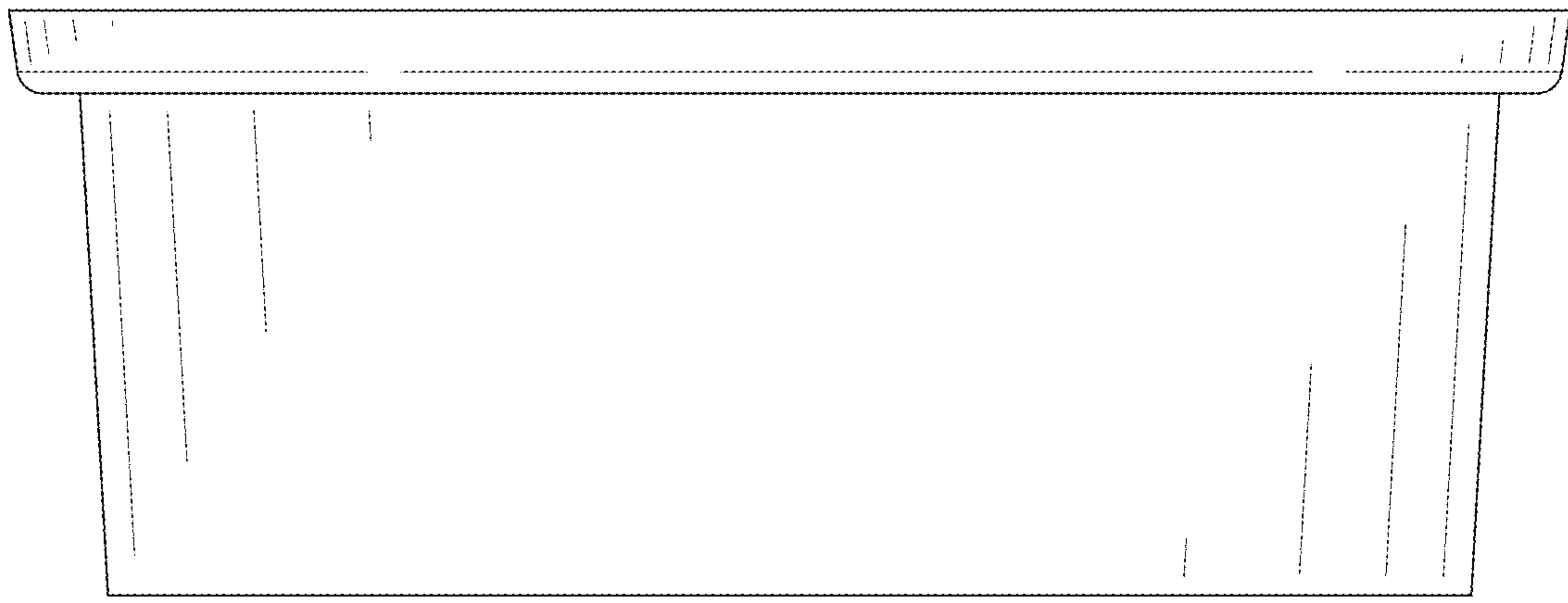


FIG. 11

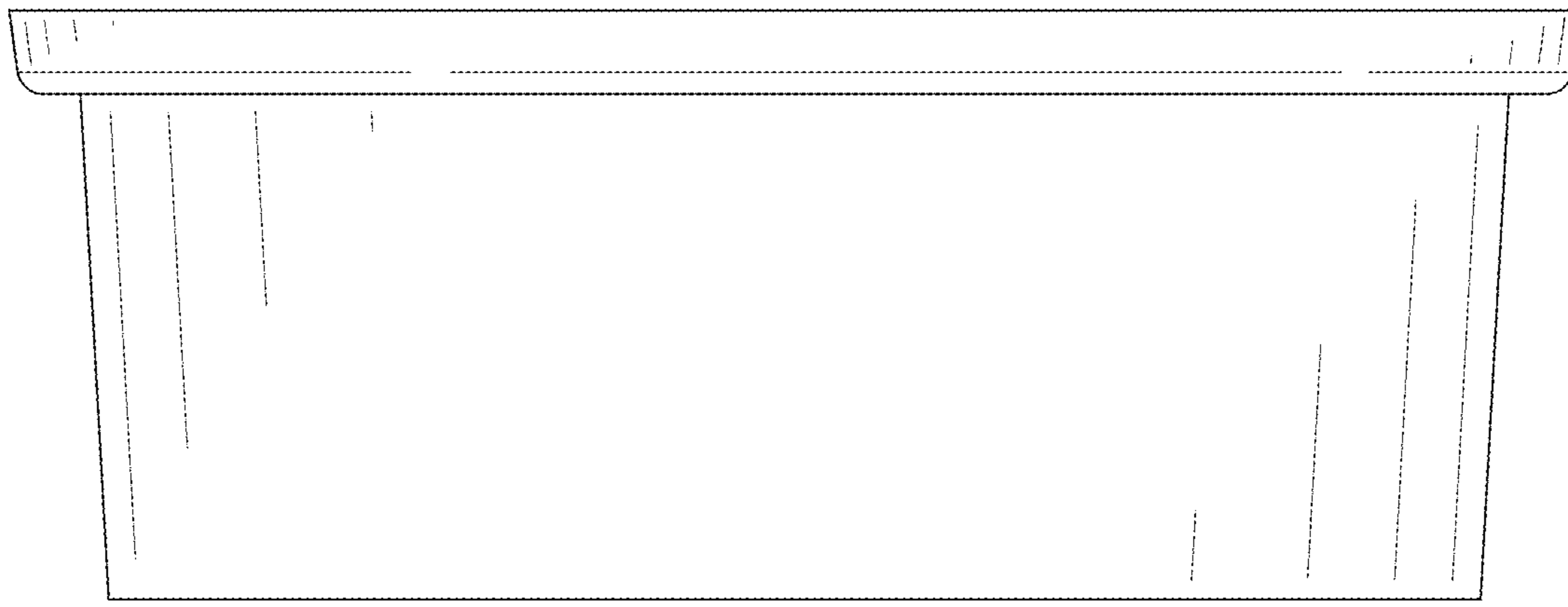


FIG. 12

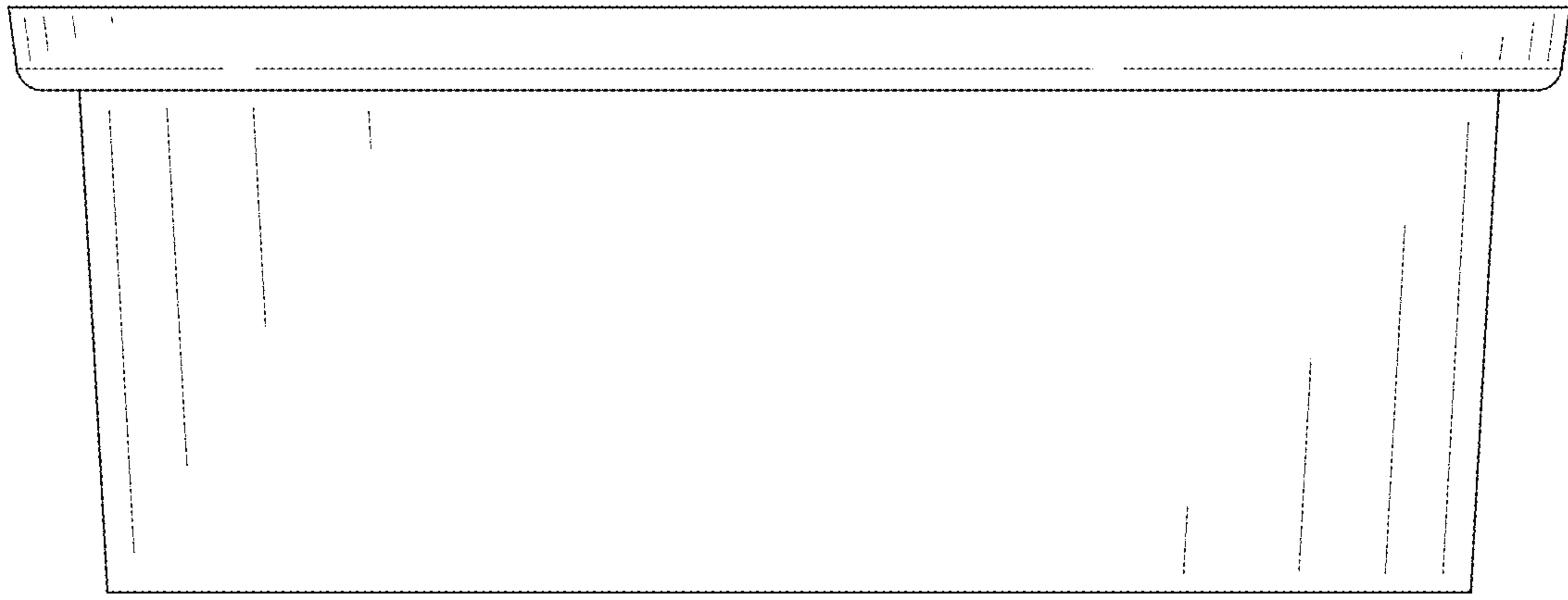


FIG. 13

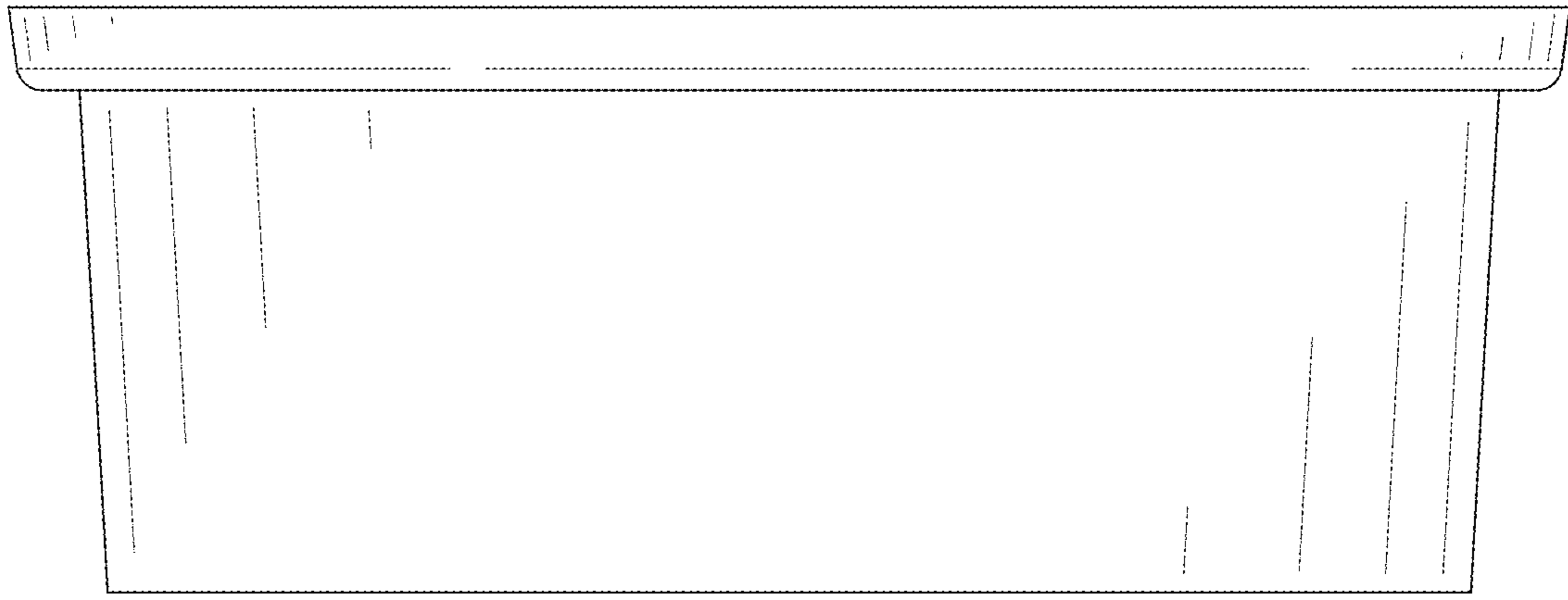


FIG. 14



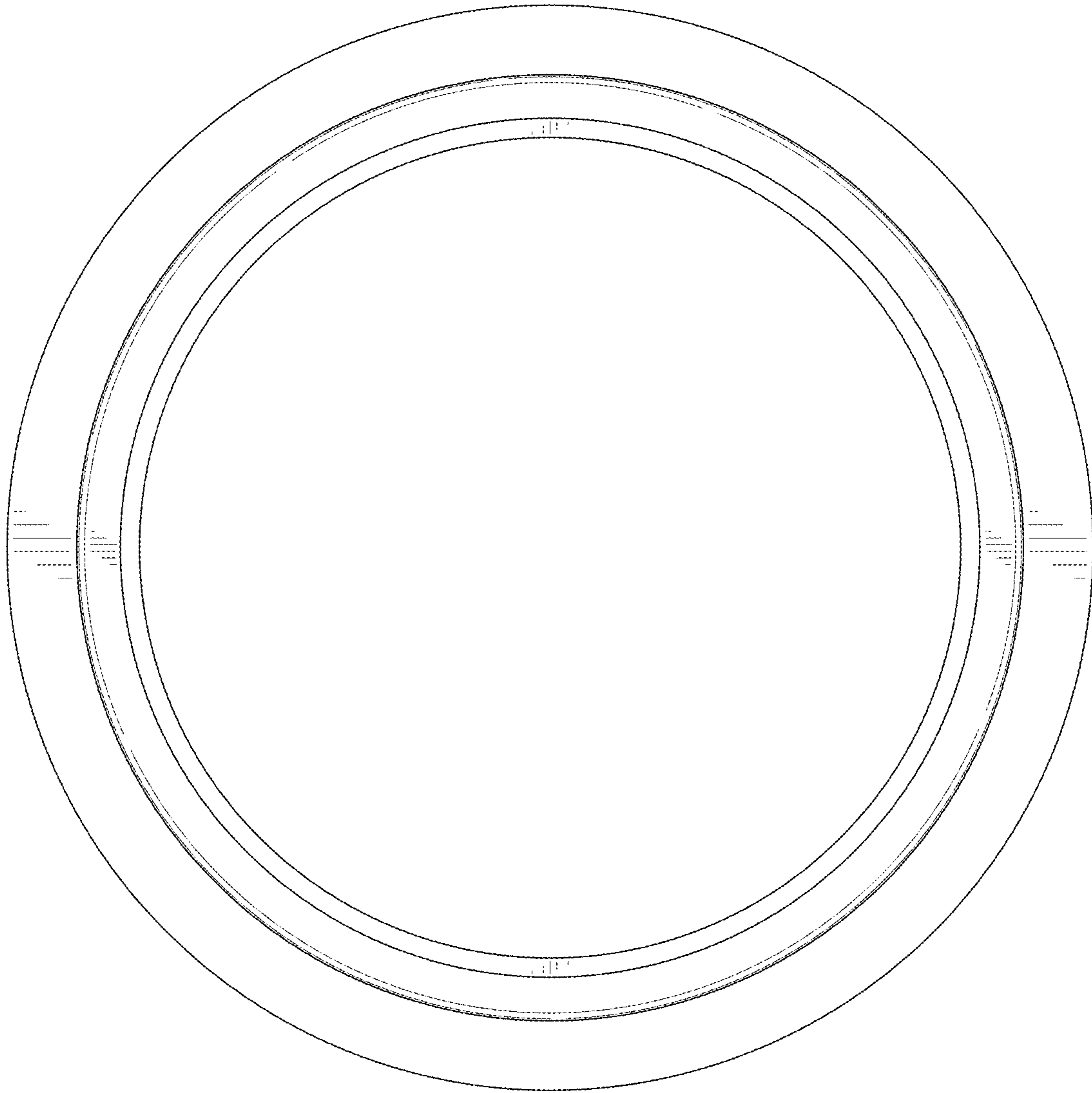


FIG. 15

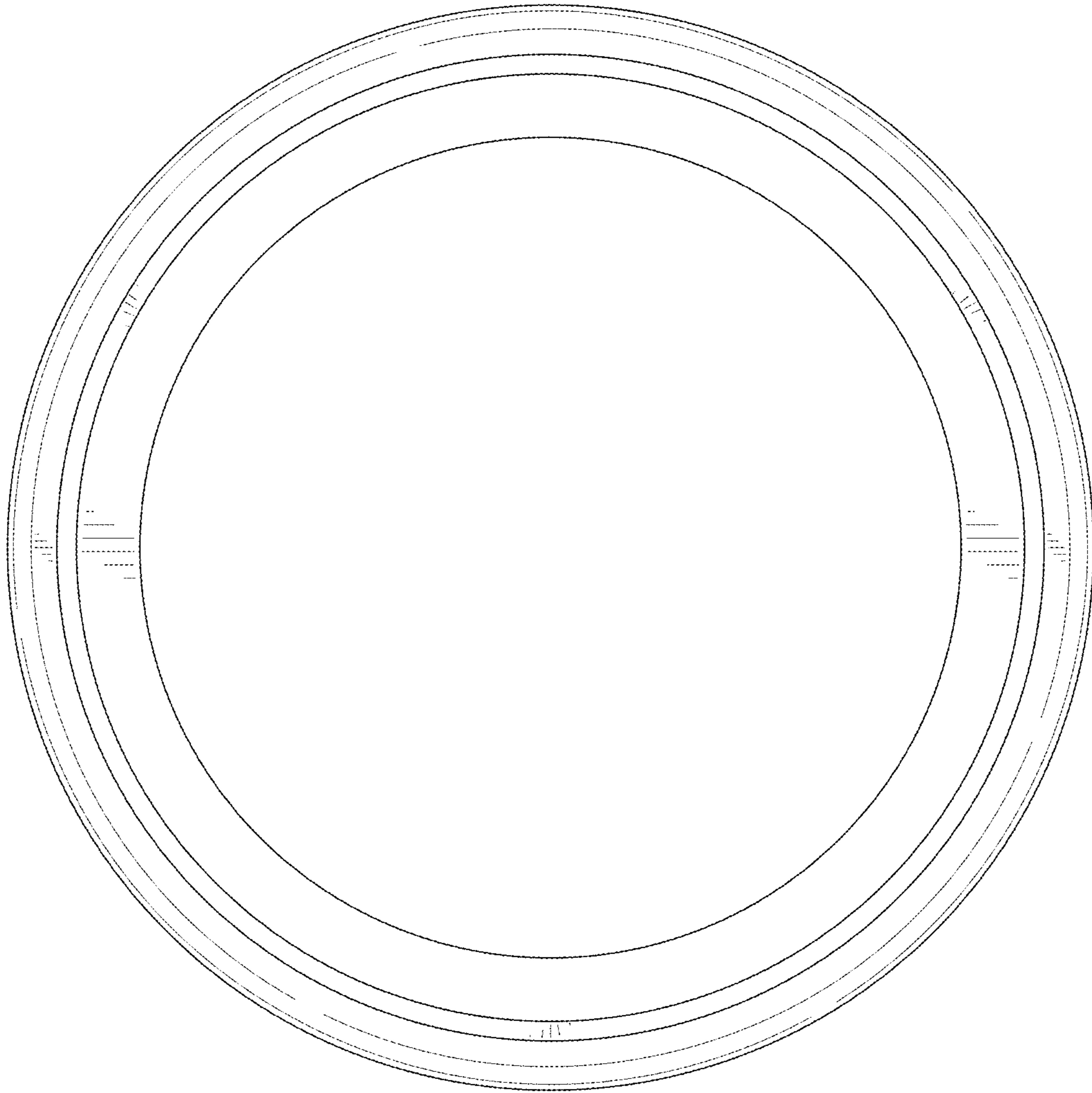


FIG. 16

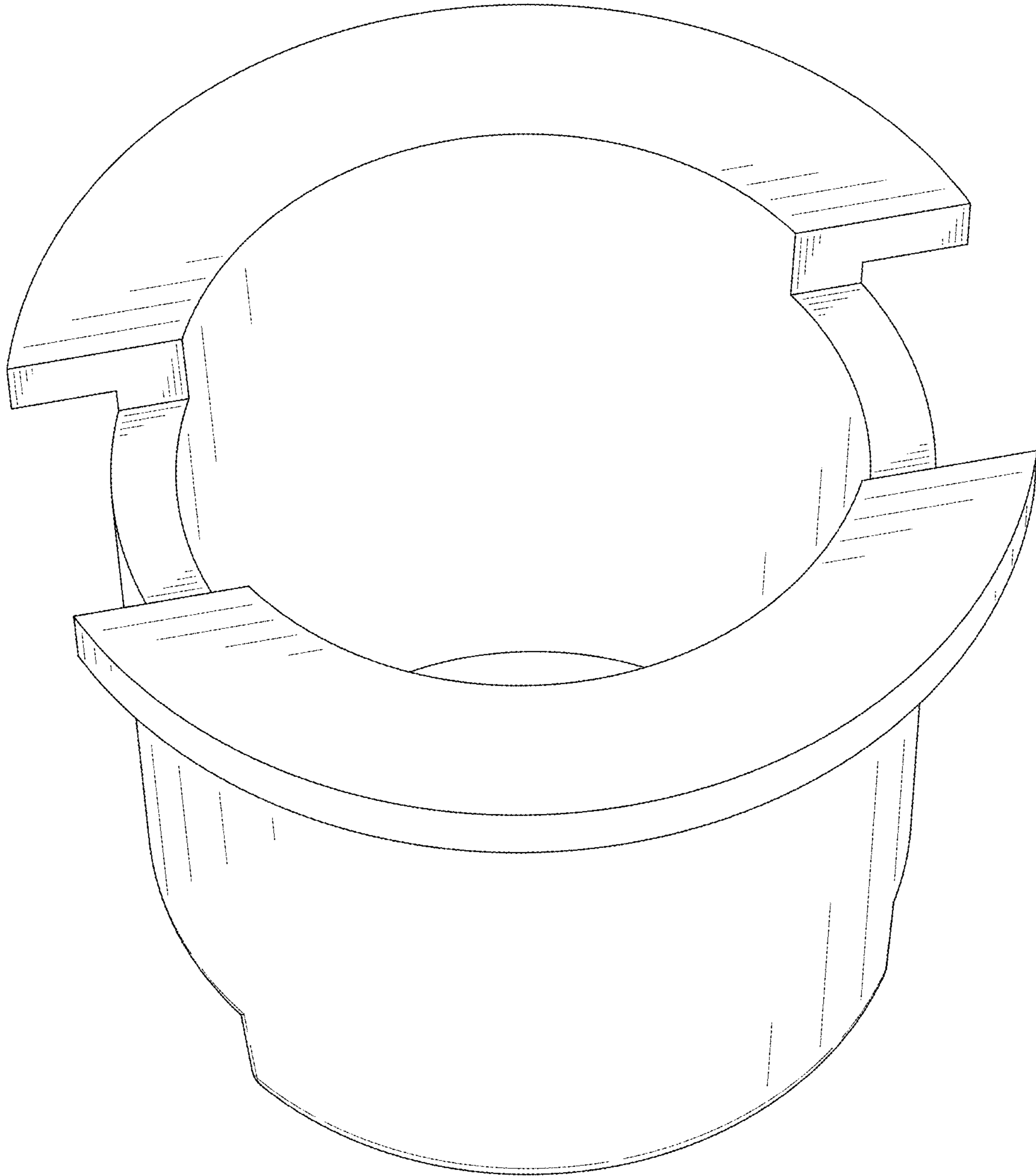


FIG. 17

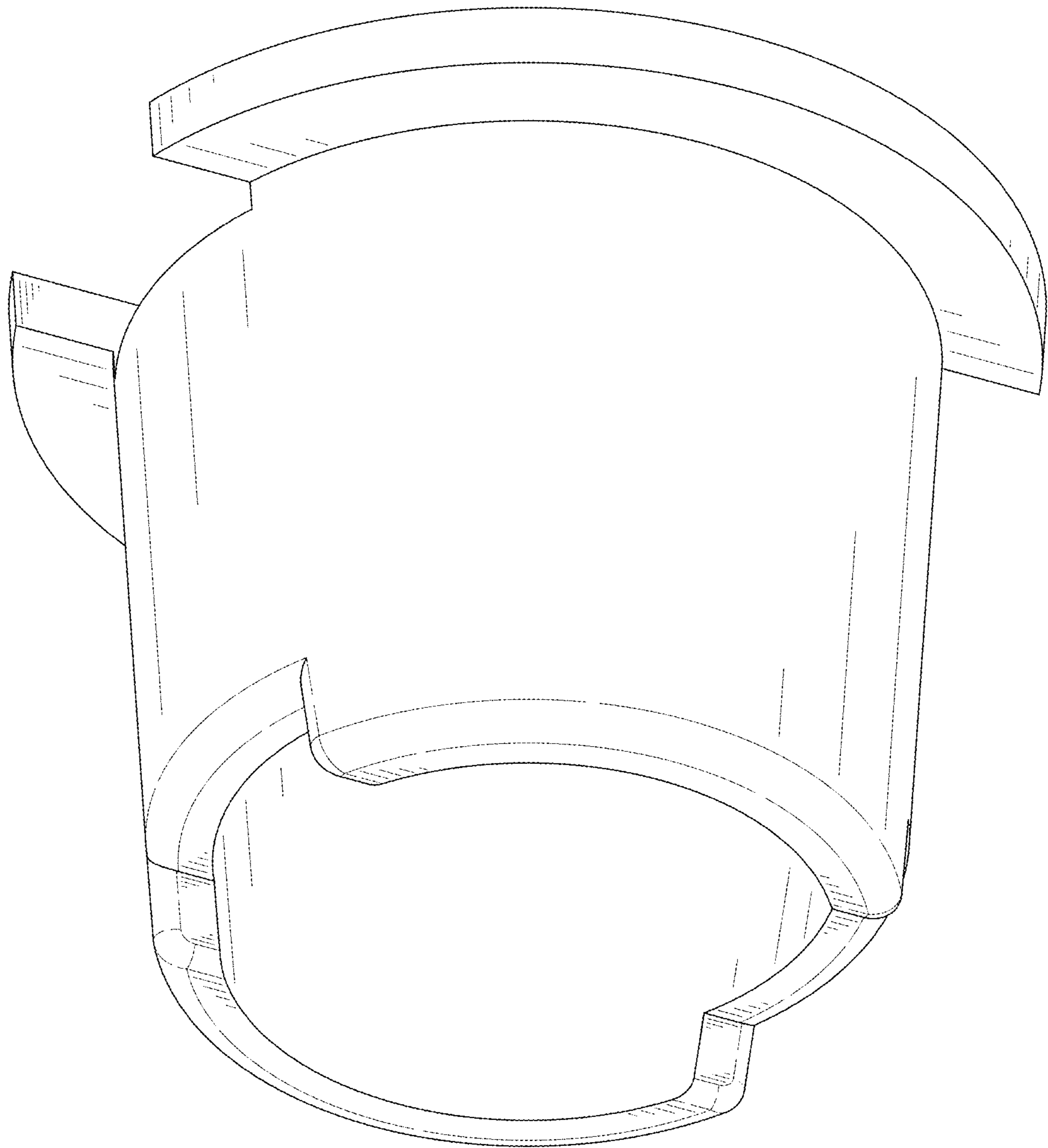


FIG. 18

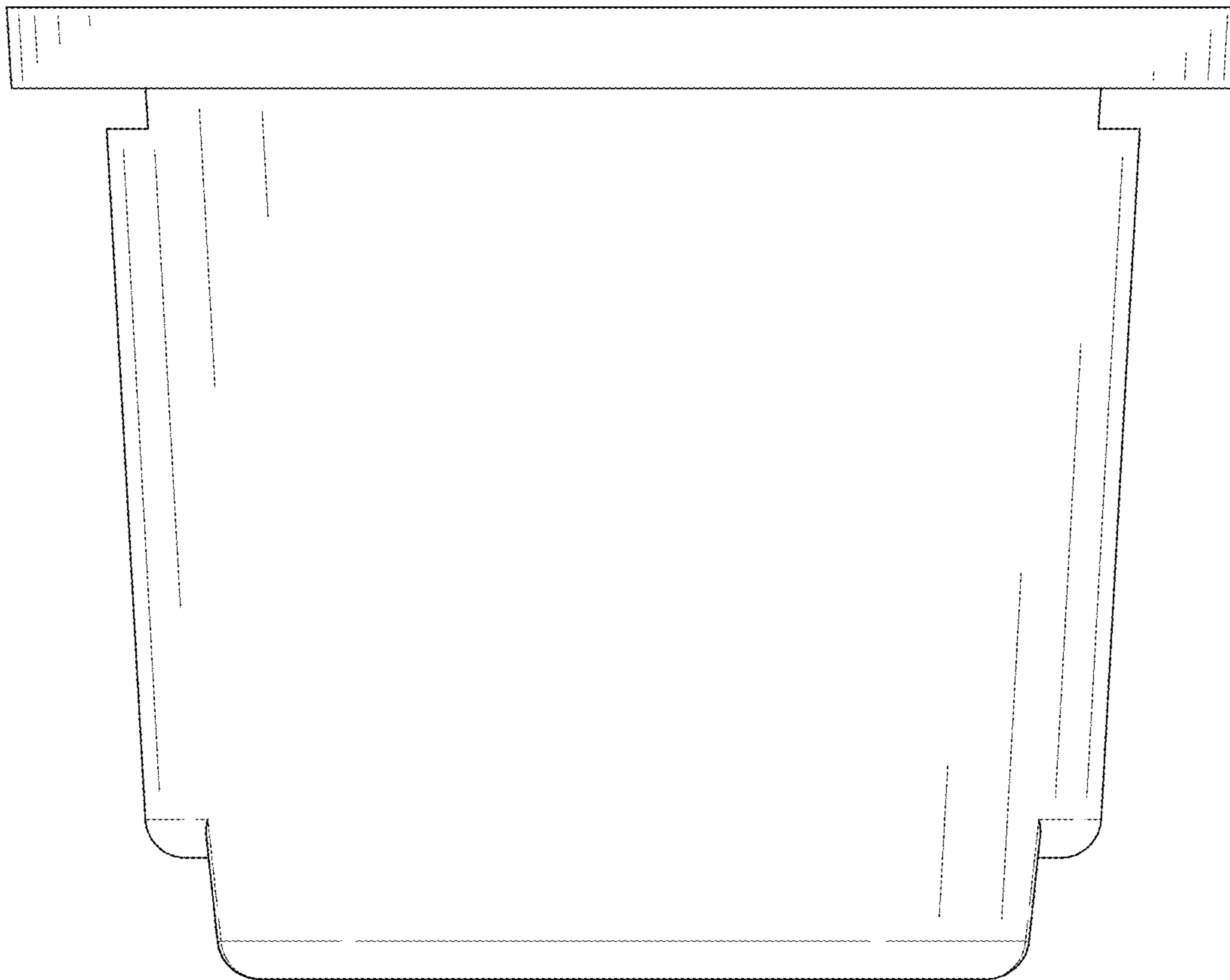


FIG. 19

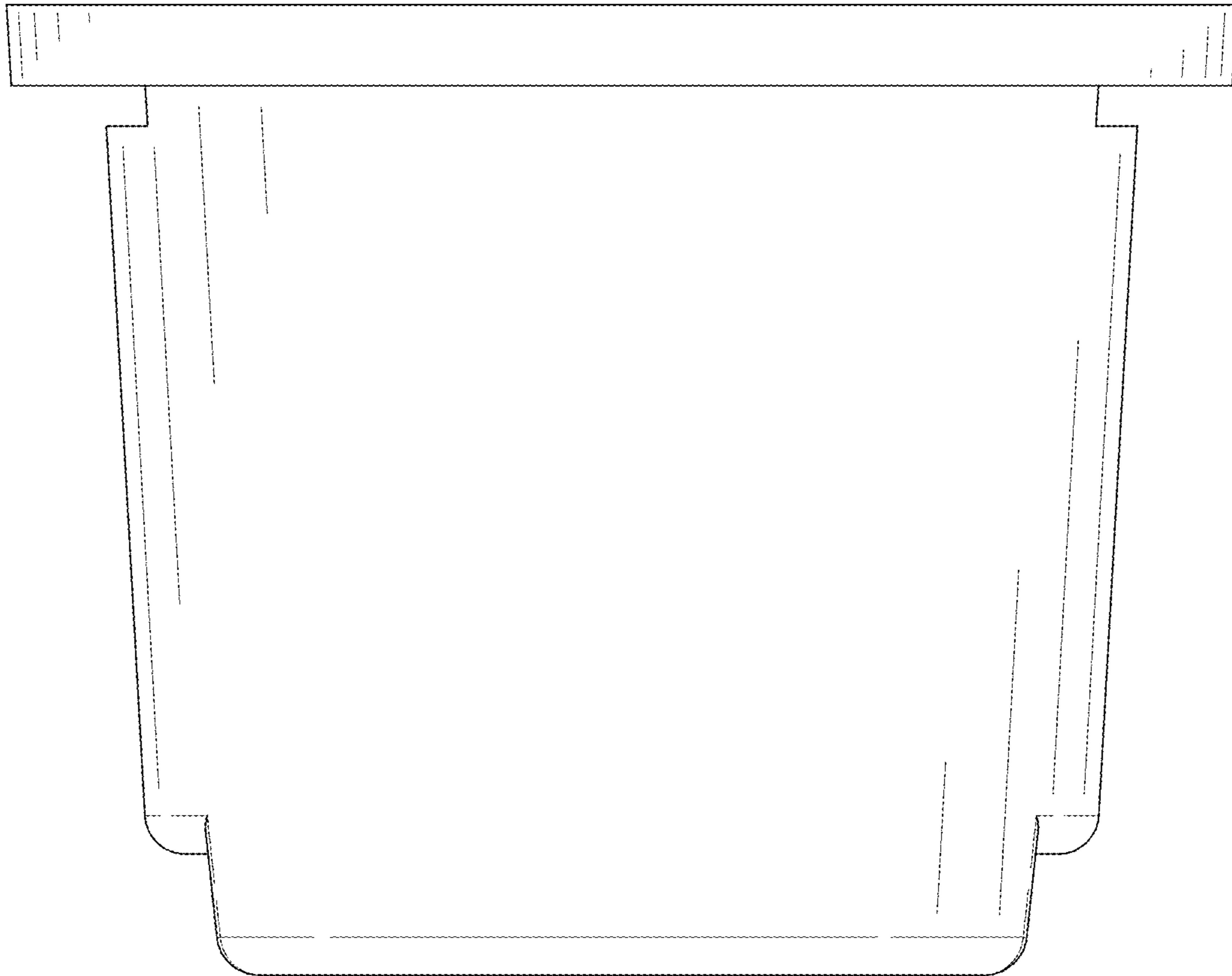


FIG. 20

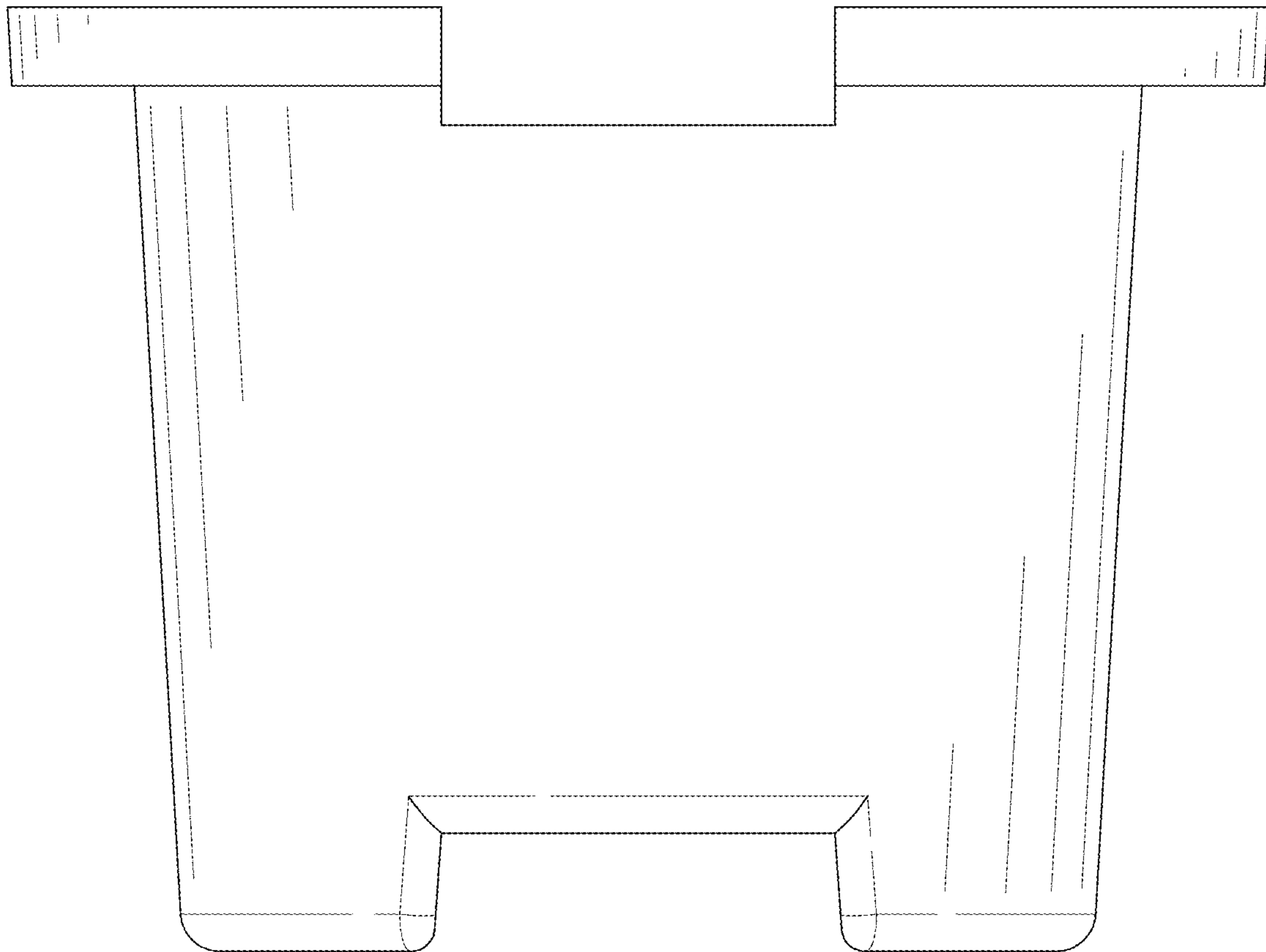


FIG. 21

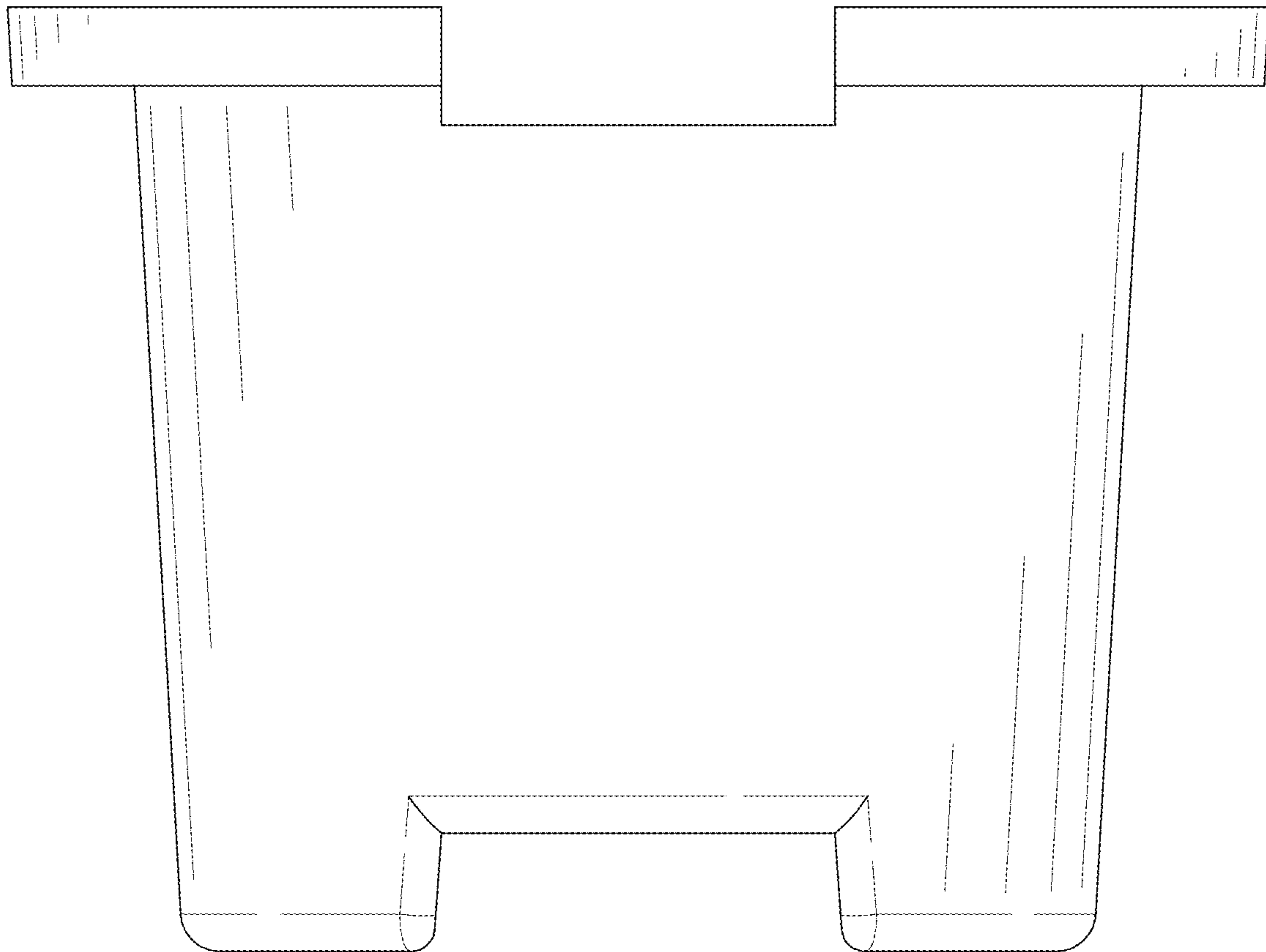


FIG. 22



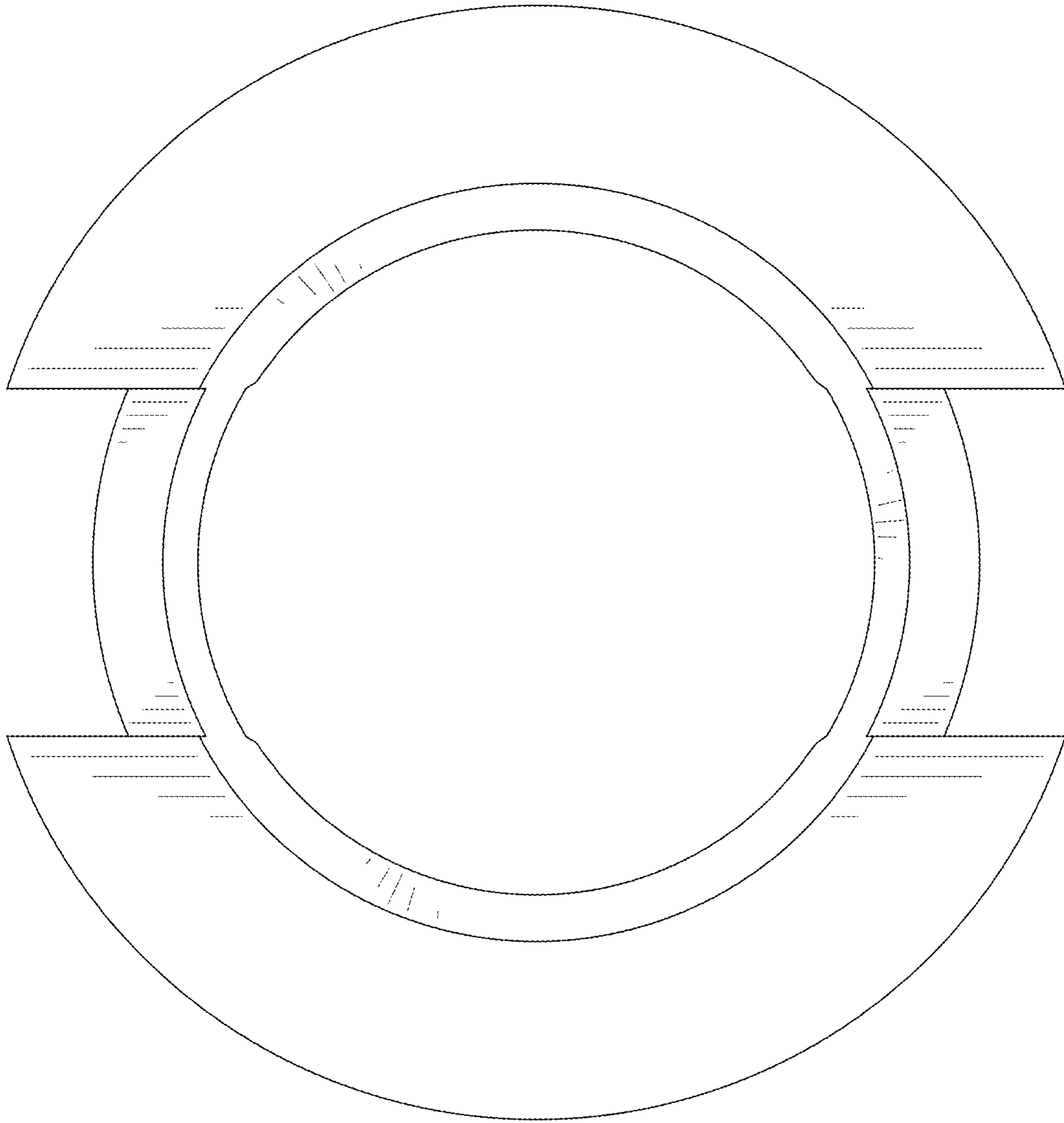


FIG. 23

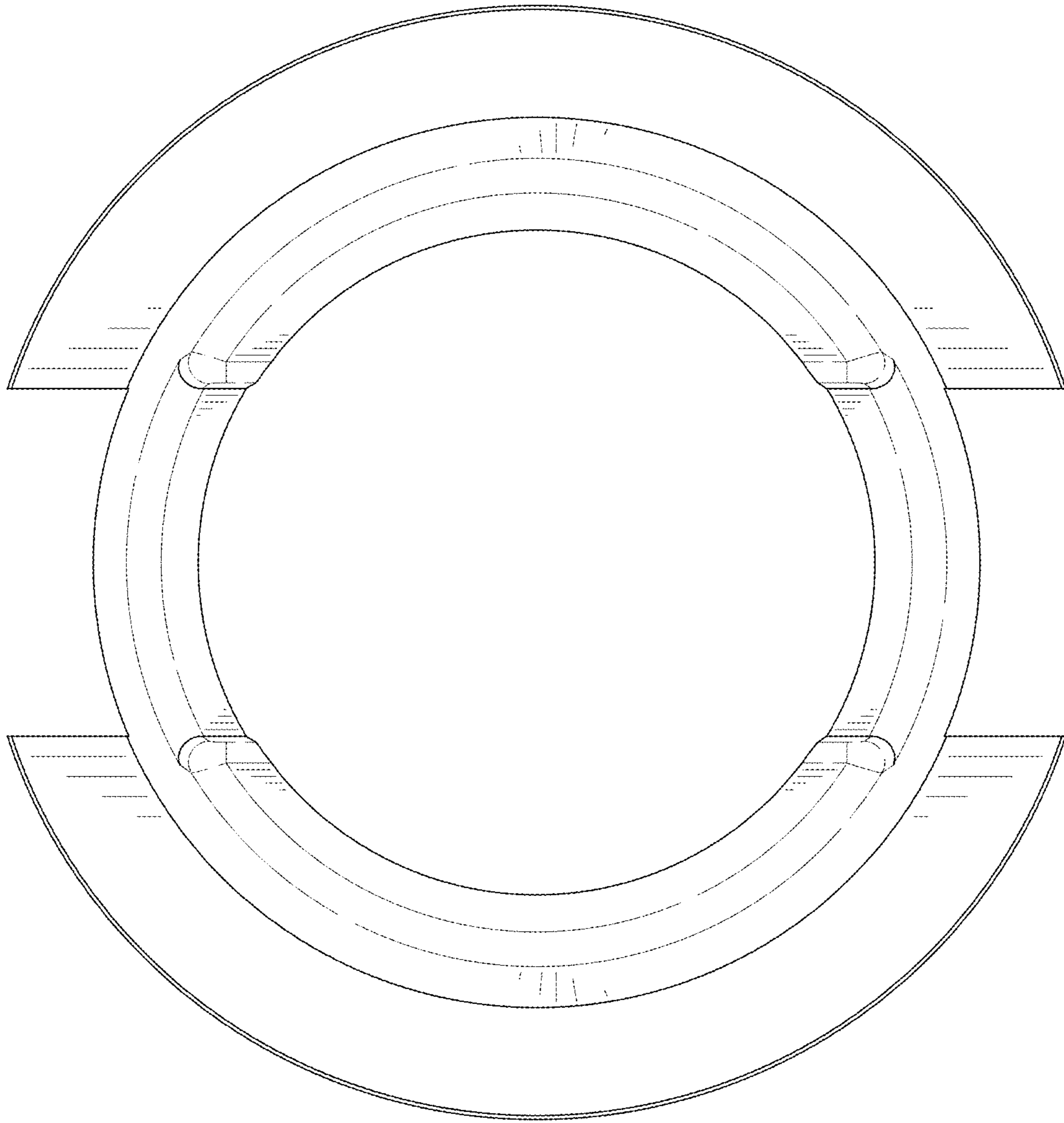


FIG. 24

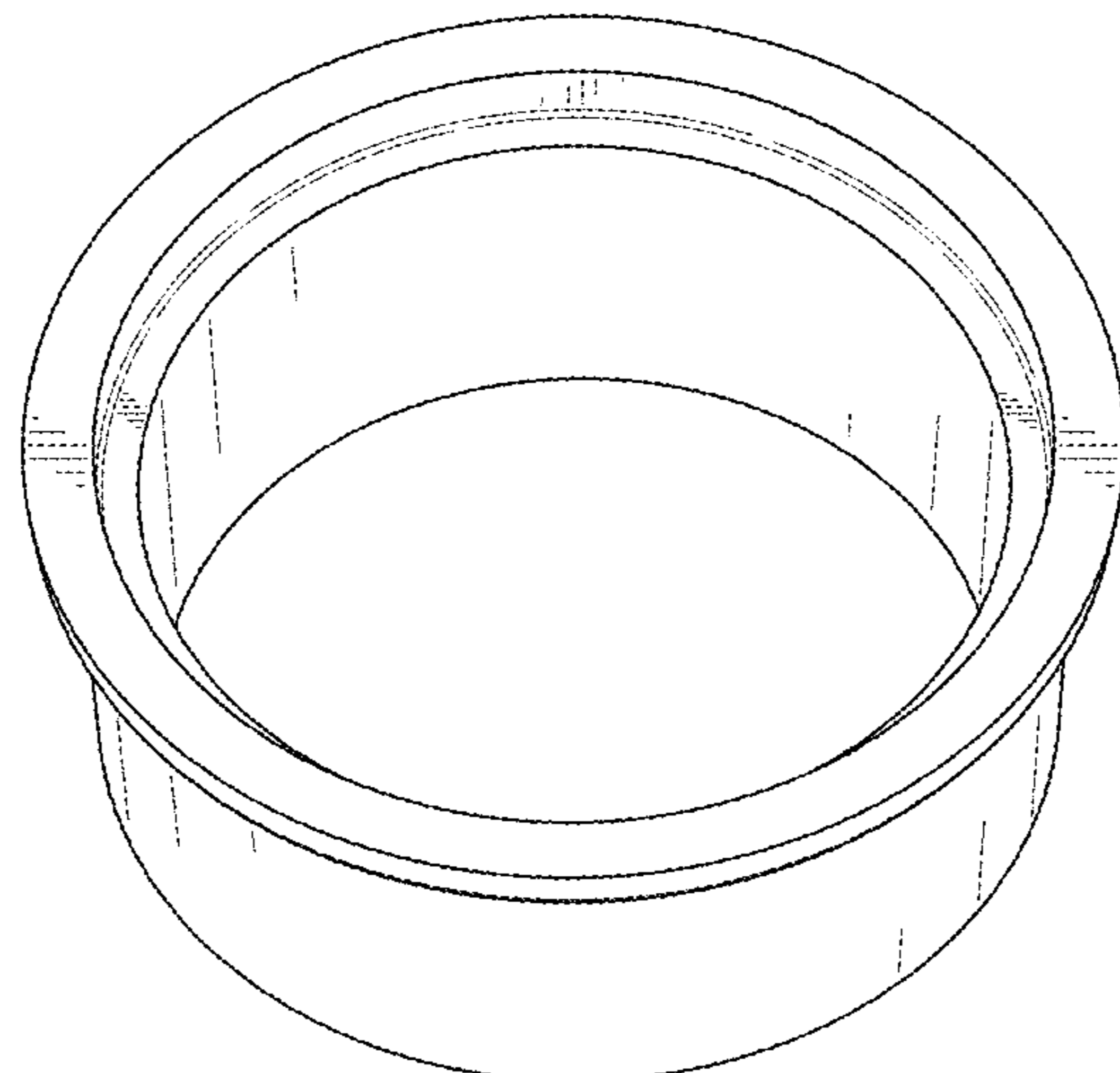
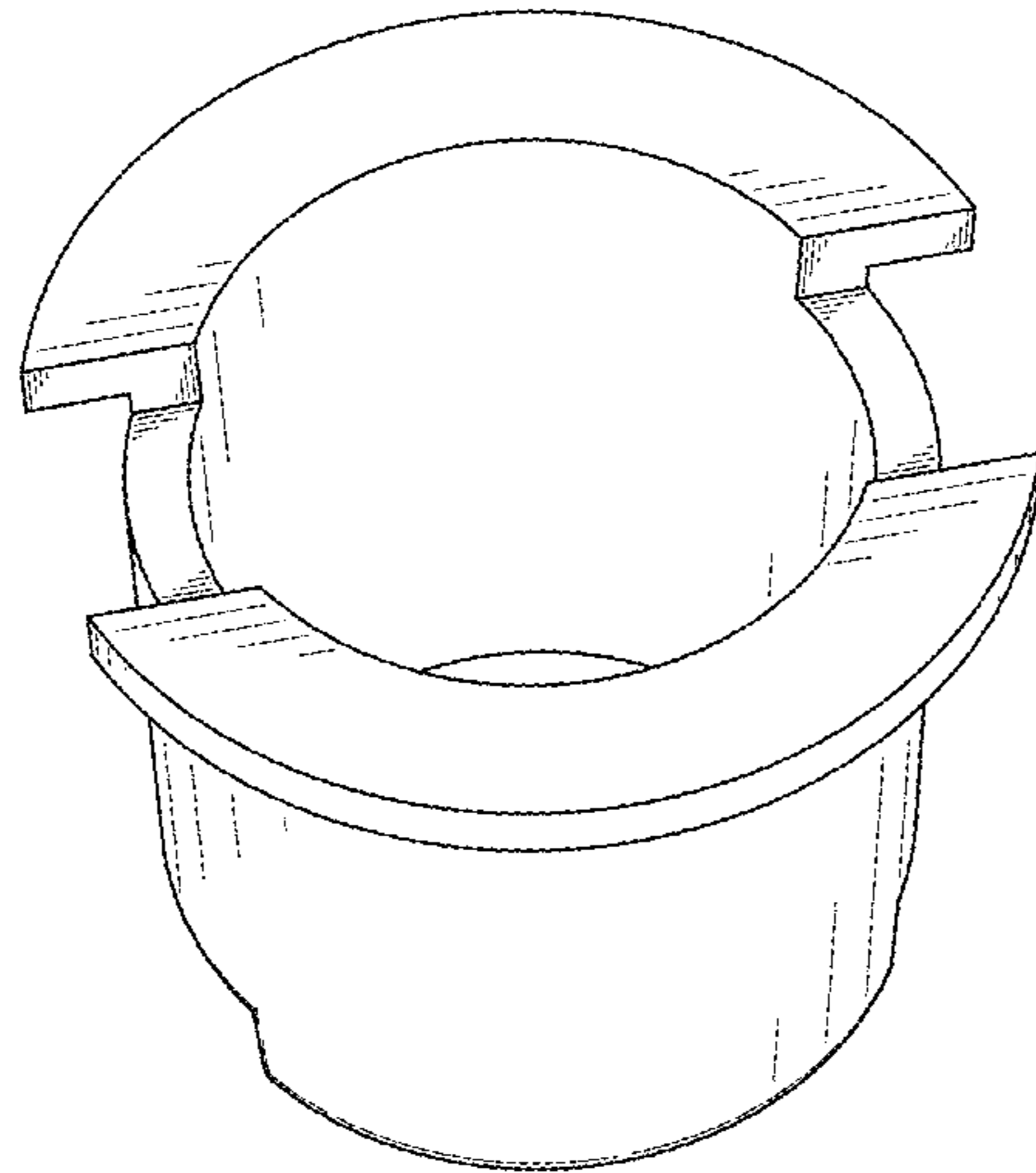
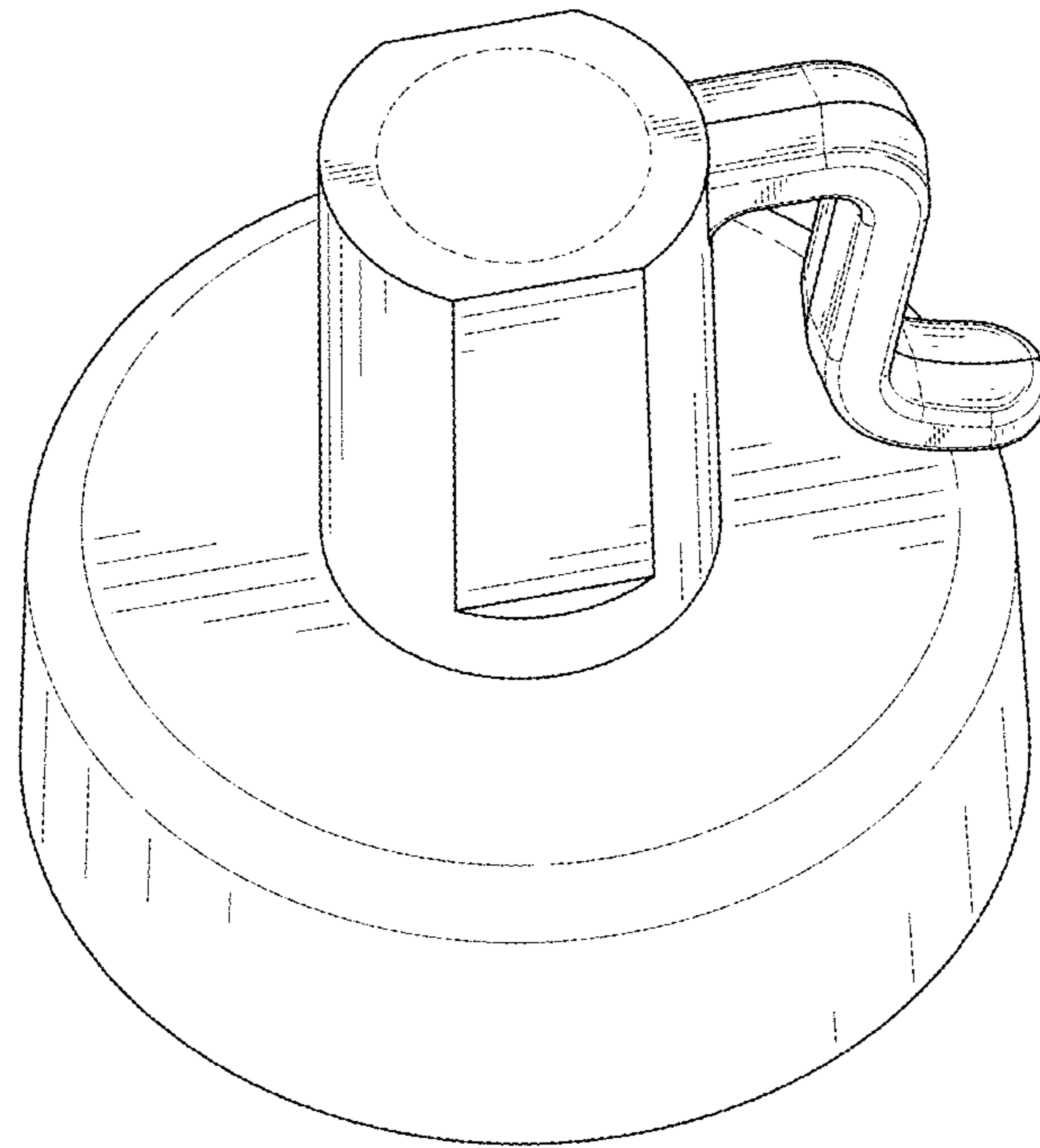


FIG. 25

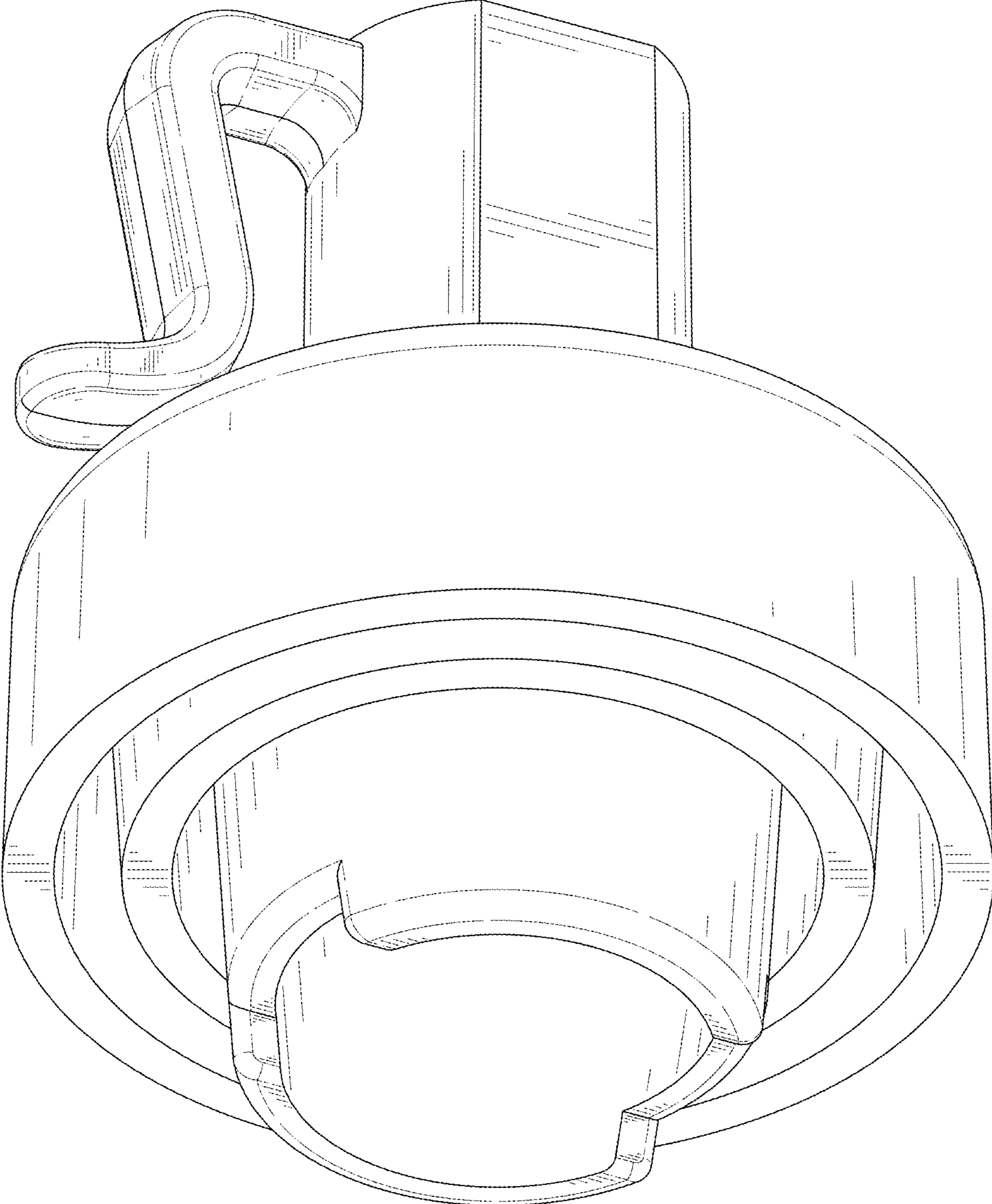


FIG. 26

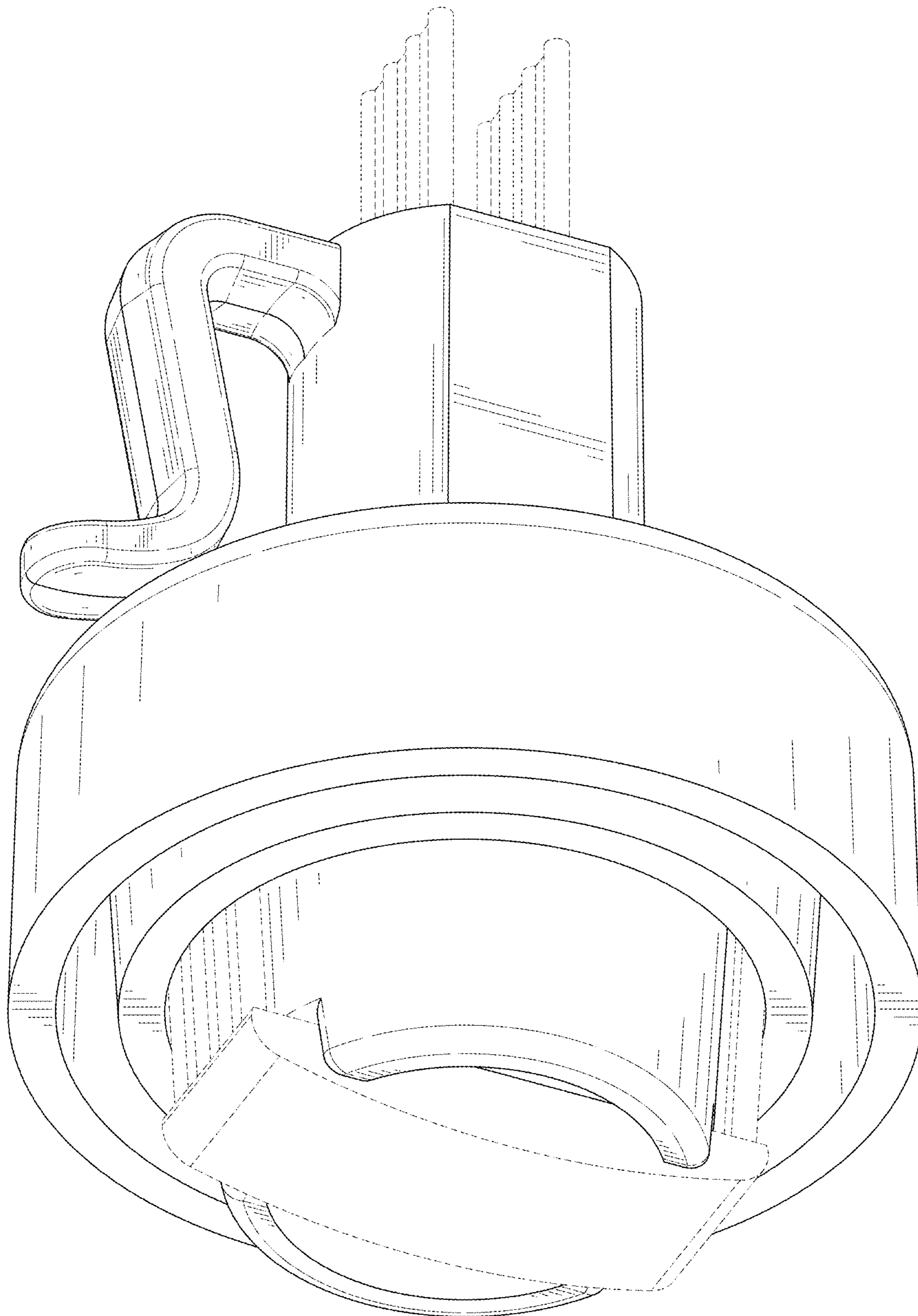


FIG. 27