



US00D987161S

(12) **United States Design Patent** (10) **Patent No.:** **US D987,161 S**
Liu (45) **Date of Patent:** **** May 23, 2023**

(54) **OUTDOOR SOLAR WALL LIGHT**
(71) Applicant: **SHENZHEN XINHUIYUAN ELECTRONICS CO., LTD**, Shenzhen (CN)
(72) Inventor: **Shuqing Liu**, Shenzhen (CN)
(73) Assignee: **SHENZHEN XINHUIYUAN ELECTRONICS CO., LTD.**, Shenzhen (CN)

D894,467 S * 8/2020 Xu D26/88
D906,573 S * 12/2020 Smith D26/85
D906,576 S * 12/2020 Kim D26/87
D912,300 S * 3/2021 Chen D26/85
D913,564 S * 3/2021 Glazer F21S 8/036
D26/87
D935,081 S * 11/2021 Peng D26/41
D942,061 S * 1/2022 Peng D26/37
D955,025 S * 6/2022 Luo D26/40
D978,406 S * 2/2023 Smith D26/87
D980,496 S * 3/2023 Wu D26/87
(Continued)

(**) Term: **15 Years**

OTHER PUBLICATIONS

(21) Appl. No.: **29/811,101**
(22) Filed: **Oct. 12, 2021**
(51) **LOC (14) Cl.** **26-05**
(52) **U.S. Cl.**
USPC **D26/87**
(58) **Field of Classification Search**
USPC D26/72, 81-92
CPC F21S 8/00; F21S 8/03; F21S 8/033; F21S 8/036; F21S 8/043; F21S 8/046; F21S 8/061
See application file for complete search history.

Cyhkee, Solar Wall Lantern. First available May 18, 2021. Searched on Aug. 11, 2022. [https://www.amazon.com/Lanterns-CYHKEE-Wireless-Waterproof-Decorative/dp/B0958CR4GH/](Year: 2021).*
(Continued)

Primary Examiner — W. A. Teddy Falloway
Assistant Examiner — Melissa Adriane Santos

(57) **CLAIM**

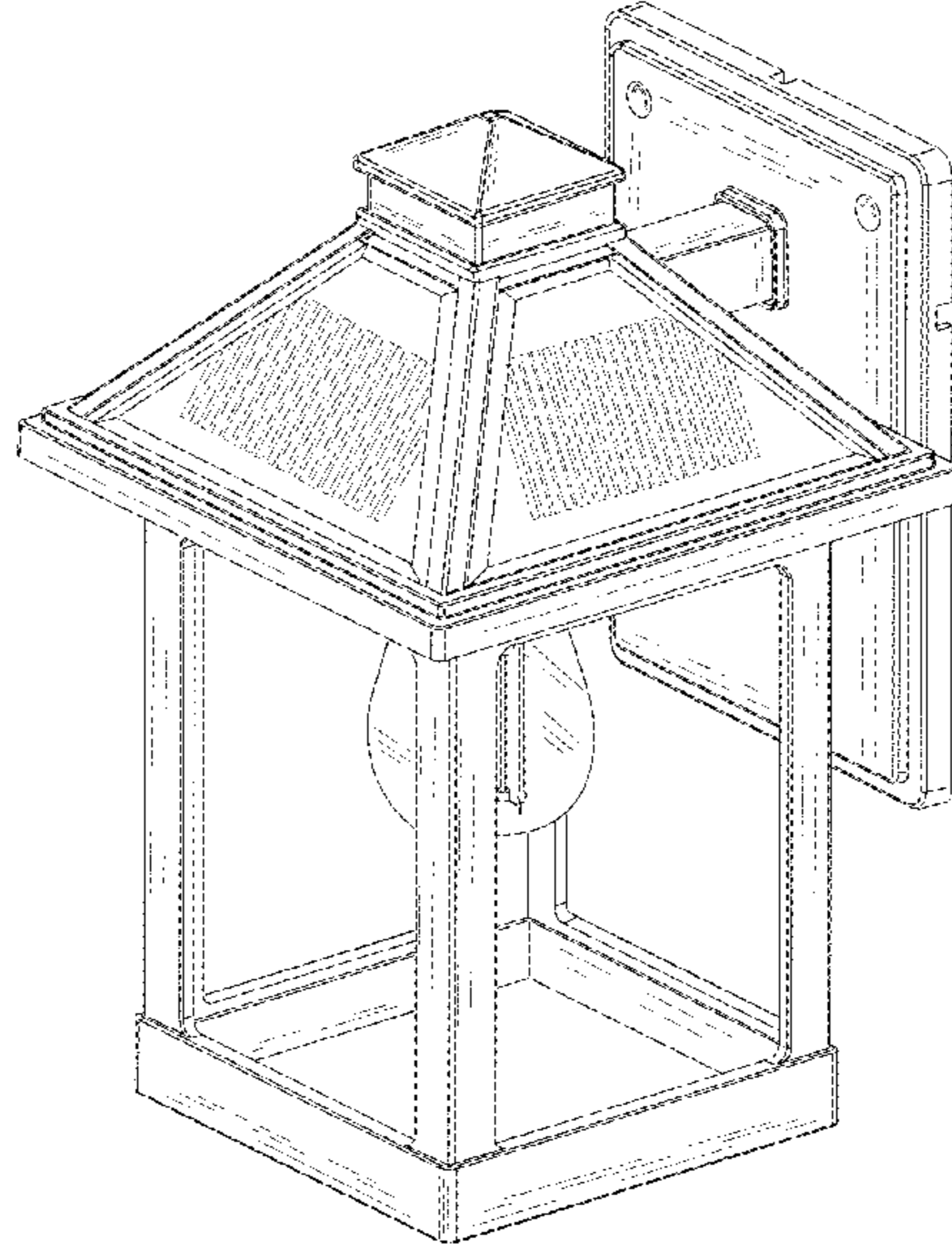
The ornamental design for an outdoor solar wall light, as shown and described.

DESCRIPTION

(56) **References Cited**
U.S. PATENT DOCUMENTS
D541,974 S * 5/2007 Yuan D26/92
D563,585 S * 3/2008 Lee D26/92
D637,334 S * 5/2011 Sooferian D26/68
D684,293 S * 6/2013 Lastimosa D26/85
D694,940 S * 12/2013 Dolan D26/87
D713,587 S * 9/2014 Clark D26/85
D756,545 S * 5/2016 Goodsell D26/9
D766,489 S * 9/2016 Moon D26/87
D807,551 S * 1/2018 Wiedemer D26/85
D830,610 S * 10/2018 Amato D26/87
D831,876 S * 10/2018 Moon D26/87
D863,655 S * 10/2019 Huang D26/110
10,670,203 B1 * 6/2020 Glazer F21V 17/002

FIG. 1 is a perspective view of an outdoor solar wall light showing my new design;
FIG. 2 is a front elevational view thereof;
FIG. 3 is a rear elevational view thereof;
FIG. 4 is a left side elevational view thereof;
FIG. 5 is a right side elevational view thereof;
FIG. 6 is a top plan view thereof; and,
FIG. 7 is a bottom plan view thereof.
The broken lines in the drawings depict portions of the outdoor solar wall light that form no part of the claimed design.

1 Claim, 7 Drawing Sheets



(56)

References Cited

U.S. PATENT DOCUMENTS

2006/0109647 A1* 5/2006 Liu H02J 7/35
362/183
2018/0320835 A1 11/2018 Poage
2019/0203890 A1* 7/2019 Moore F21V 23/003
2020/0363026 A1 11/2020 Ko

OTHER PUBLICATIONS

IvSunTek, Solar Wall Lantern Light. First available Sep. 11, 2021. Searched on Aug. 11, 2022. [<https://www.amazon.com/dp/B09FZHMYJV/>] (Year: 2021).*

Geyueya Home, Solar Wall Lantern Light. First available Jun. 22, 2021. Searched on Aug. 11, 2022. [<https://www.amazon.com/Lantern-Home-Waterproof-Lighting-Fixtures/dp/B097NZDD7B/>] (Year: 2021).*

Wonsidary, Solar Wall Light. First available Jun. 23, 2021. Searched on Aug. 11, 2022. [<https://www.amazon.com/Wonsidary-Wireless-Exterior-Decorative-Waterproof/dp/B097RNQDCV/>] (Year: 2021).*

Perkisboby, Solar Wall Lantern. First available May 8, 2021. Searched on Aug. 11, 2022. [<https://www.amazon.com/dp/B09NMDH7T3/>] (Year: 2021).*

* cited by examiner

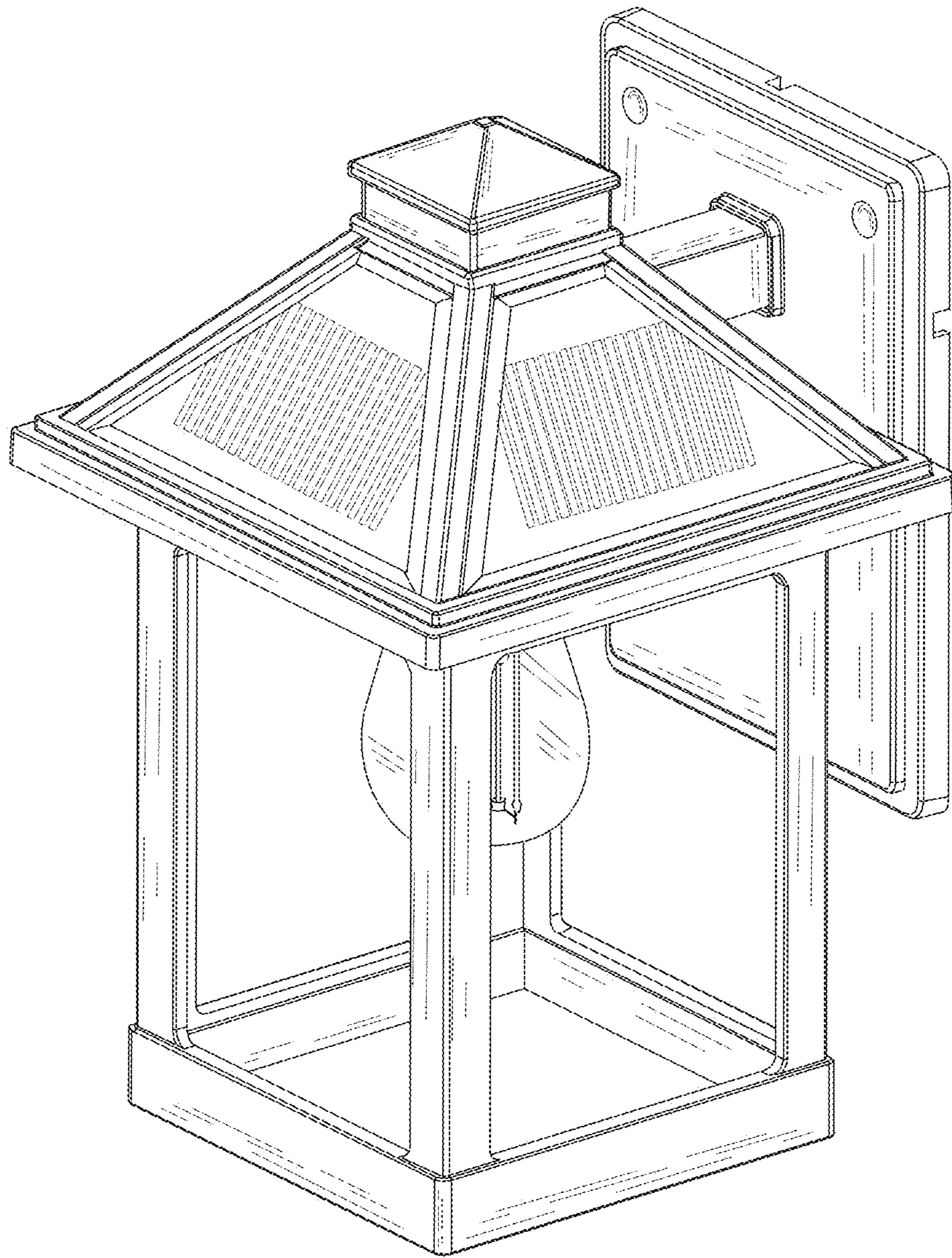


FIG. 1

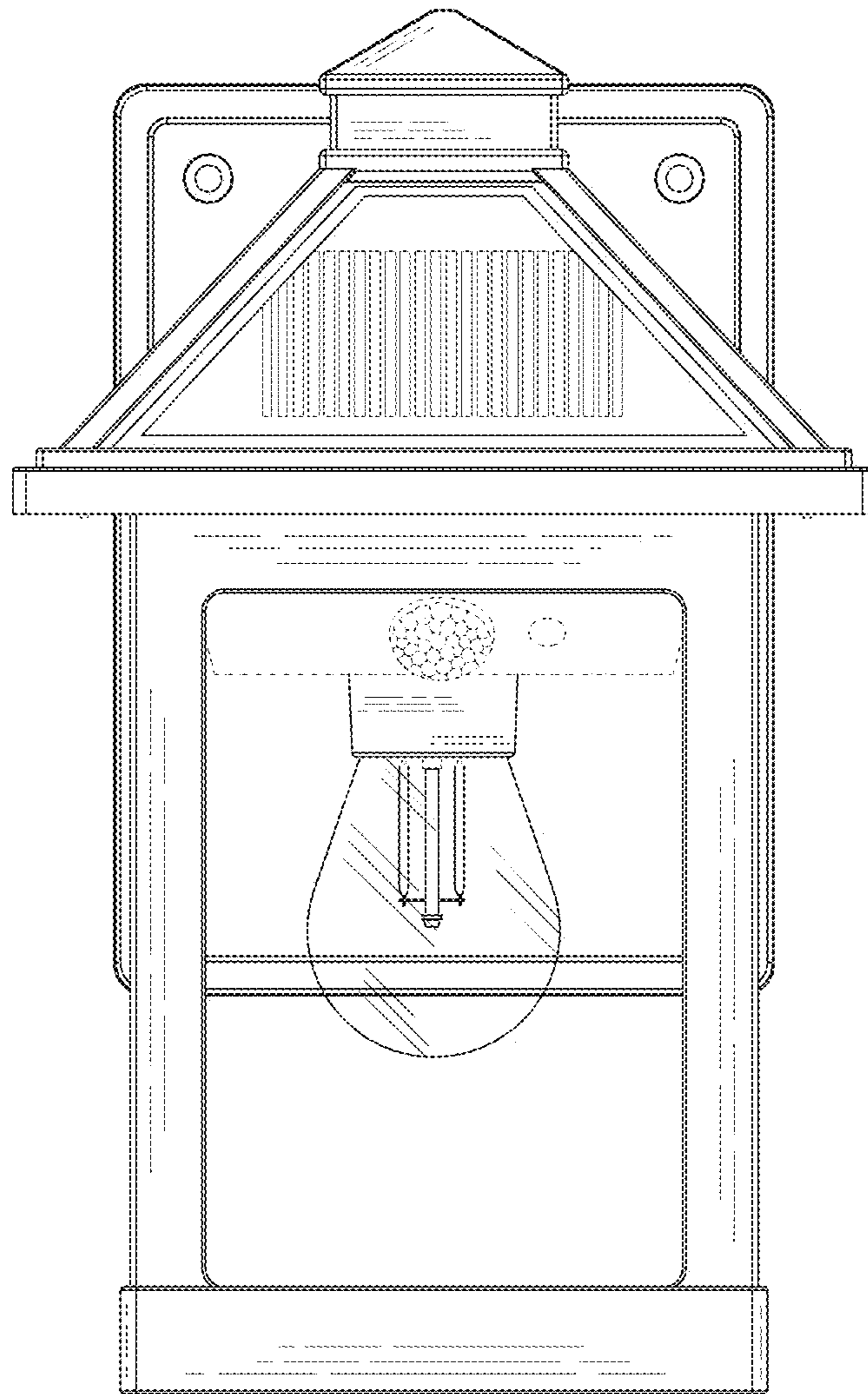


FIG. 2

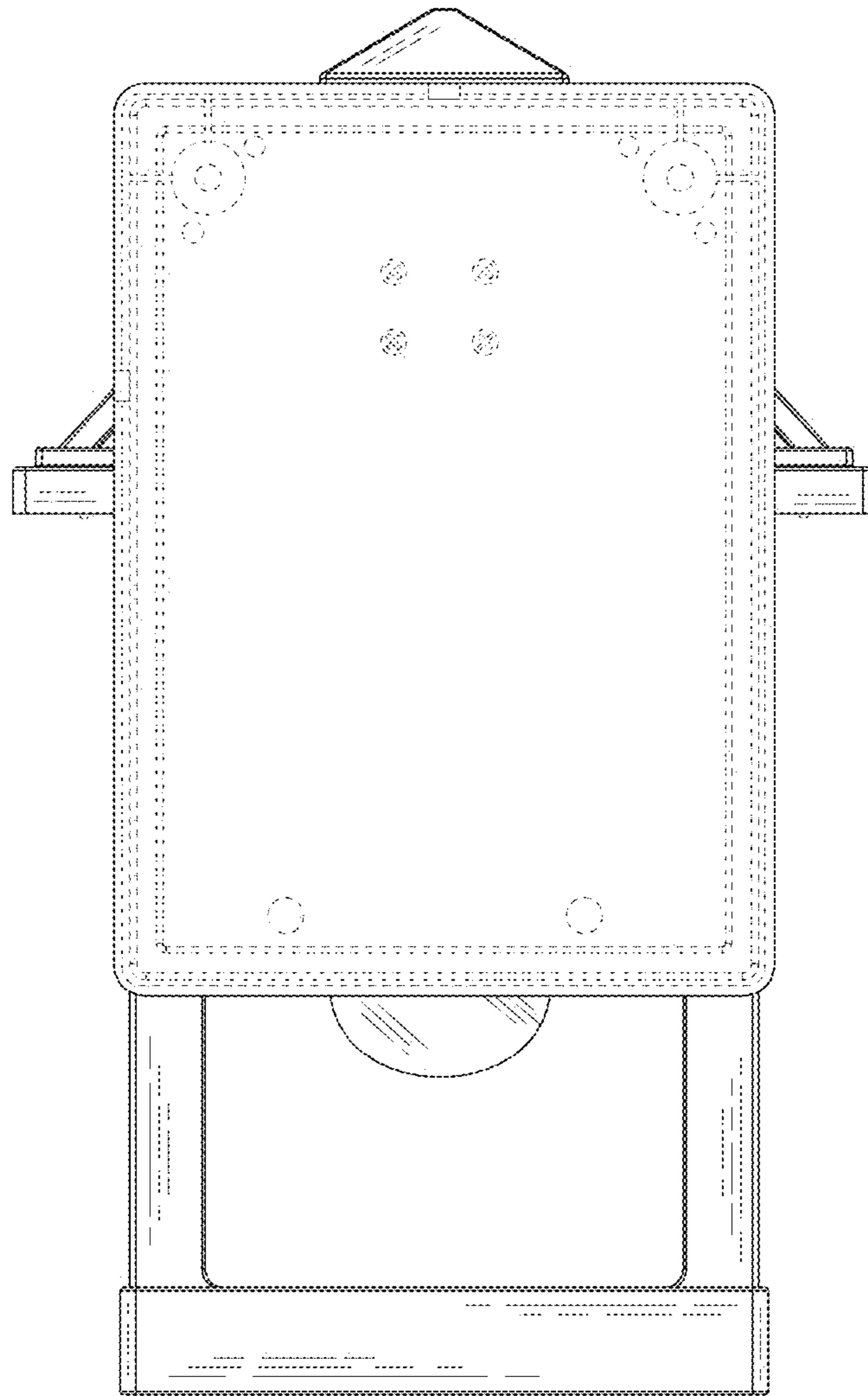


FIG. 3

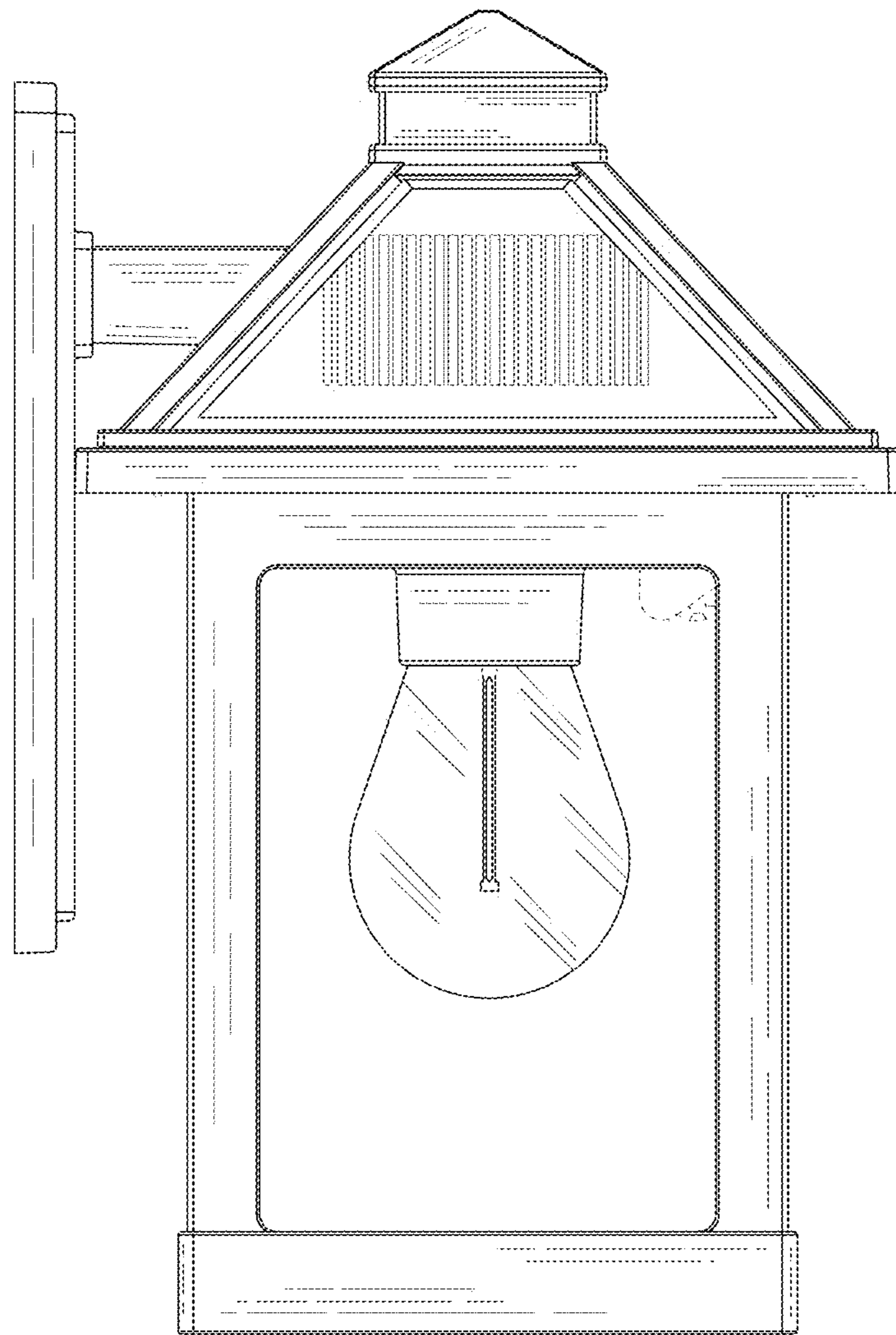


FIG. 4

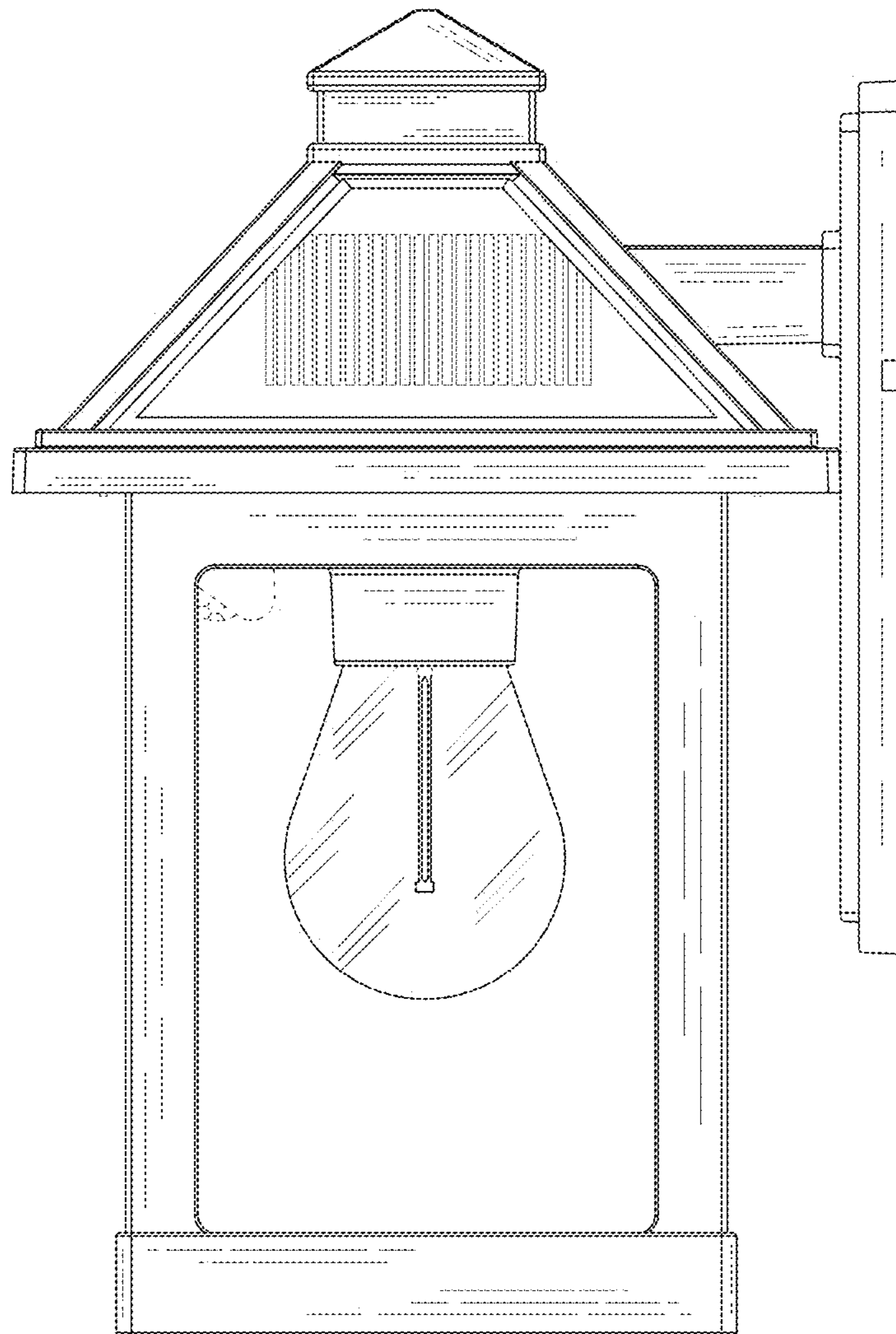


FIG. 5

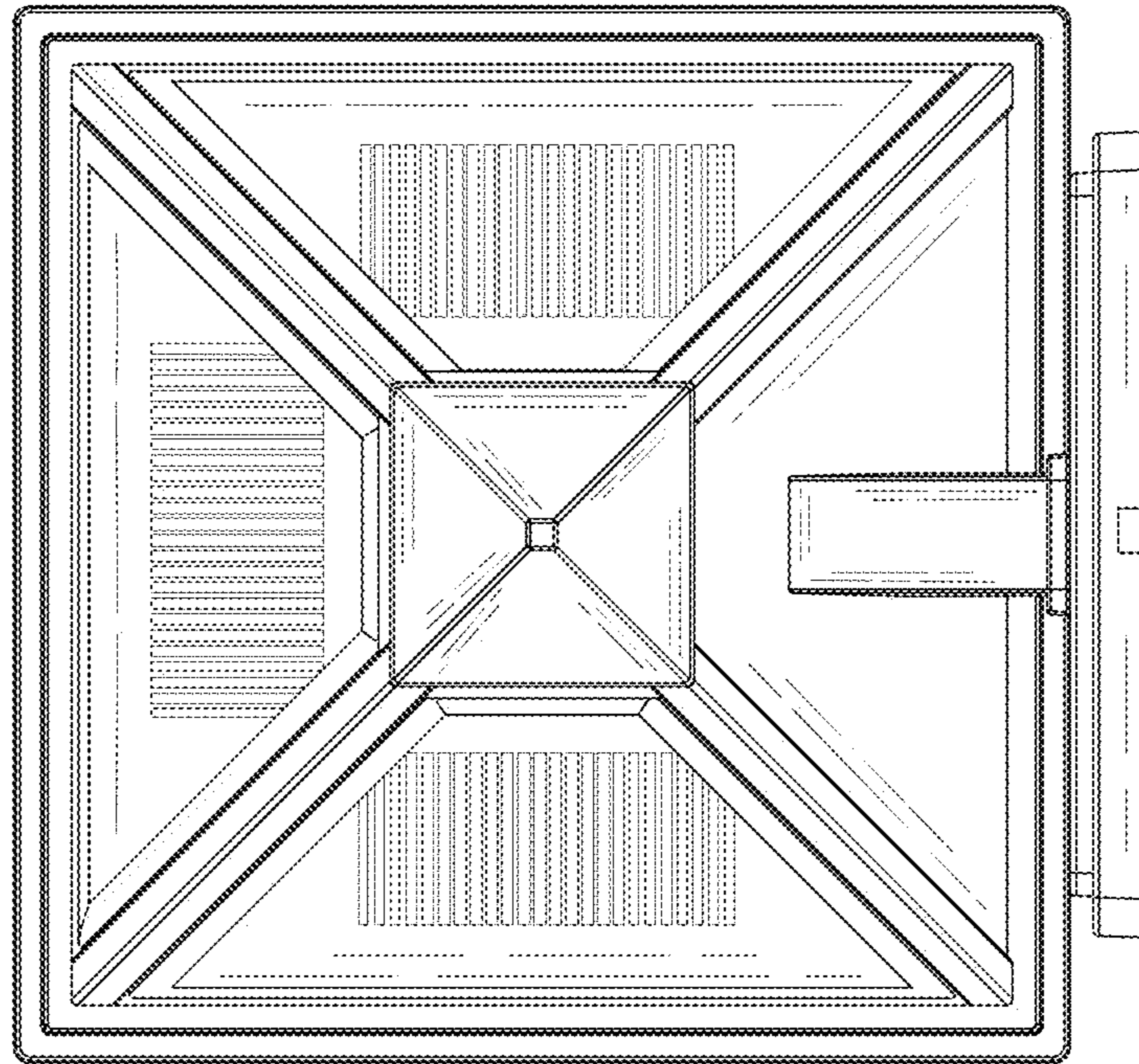


FIG .6

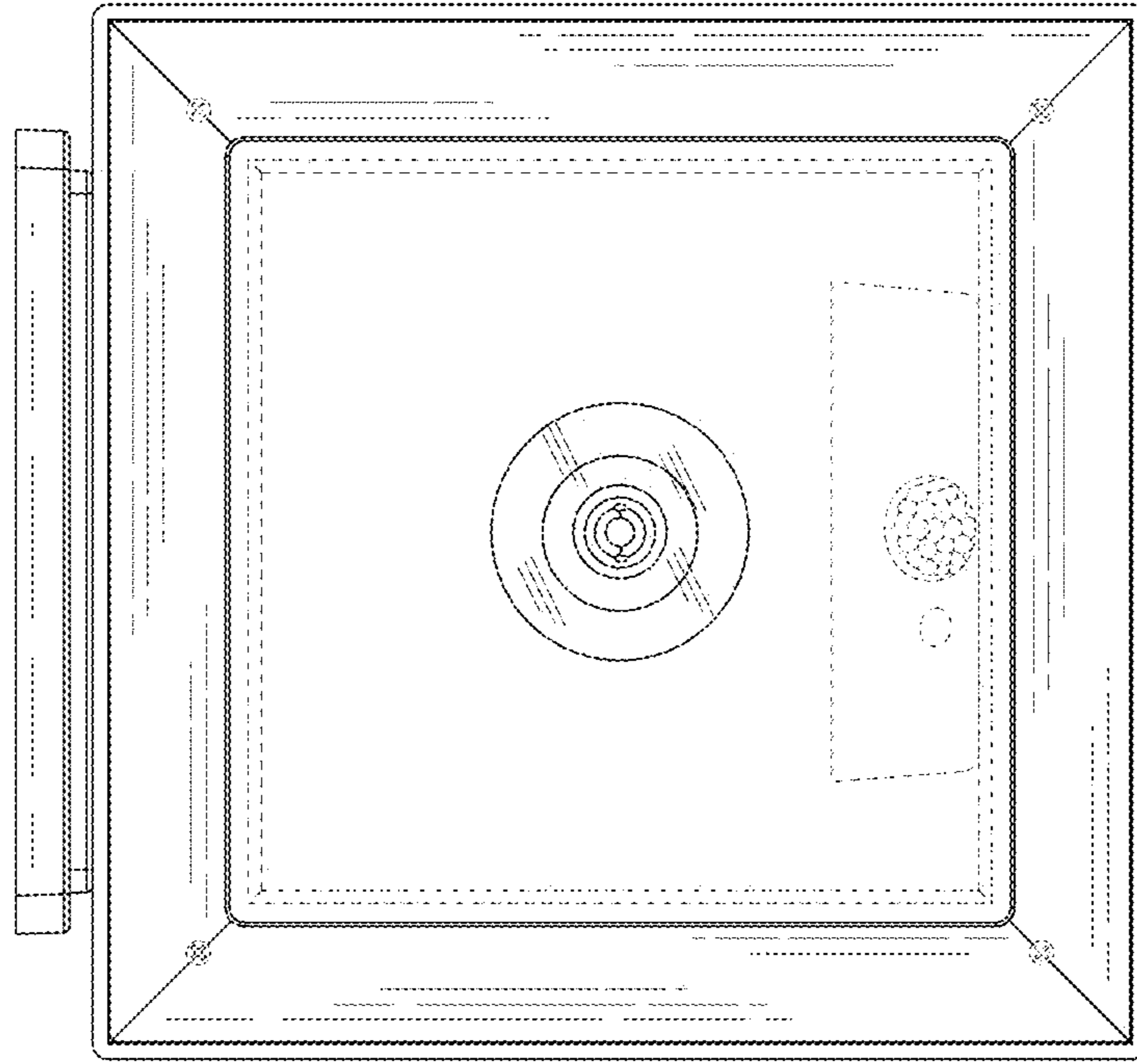


FIG .7