



US00D987160S

(12) **United States Design Patent** (10) **Patent No.:** **US D987,160 S**
McGee et al. (45) **Date of Patent:** **** May 23, 2023**

(54) **LIGHTING FIXTURE**

www.amazon.com/CANEOE-Bedside-Creative-Fixtures-Bathroom/
dp/B0B4JWZCJQ.*

(71) Applicant: **Wangs Alliance Corporation**, Port
Washington, NY (US)

(Continued)

(72) Inventors: **Molly McGee**, Tiverton, RI (US);
Robert De'Armond, Jr., Temecula, CA
(US)

Primary Examiner — Richard Kearney
(74) *Attorney, Agent, or Firm* — Heslin Rothenberg
Farley & Mesiti P.C.

(73) Assignee: **WANGS ALLIANCE
CORPORATION**, Port Washington,
NY (US)

(57) **CLAIM**

The ornamental design for a lighting fixture, as shown and
described.

(**) Term: **15 Years**

DESCRIPTION

(21) Appl. No.: **29/867,821**

(22) Filed: **Nov. 9, 2022**

(51) **LOC (14) Cl.** **26-05**

(52) **U.S. Cl.**
USPC **D26/80**

(58) **Field of Classification Search**
USPC D6/308; D26/24, 72, 80-92, 120, 121
CPC F21S 8/00; F21S 8/02; F21S 8/0036; F21S
8/04; F21S 8/046; F21S 8/06; F21S 8/061
See application file for complete search history.

FIG. 1 is a front right perspective view from above of a
lighting fixture according to the new design;
FIG. 2 is a rear left perspective view from below thereof;
FIG. 3 is a front elevational view thereof;
FIG. 4 is a right side elevational view thereof;
FIG. 5 is a left side elevational view thereof;
FIG. 6 is a rear elevational view thereof;
FIG. 7 is a top view thereof;
FIG. 8 is a bottom view thereof;
FIG. 9 is a front right perspective view from above thereof,
but shown illuminated;
FIG. 10 is a rear left perspective view from below thereof;
FIG. 11 is a front elevational view thereof;
FIG. 12 is a right side elevational view thereof;
FIG. 13 is a left side elevational view thereof;
FIG. 14 is a rear elevational view thereof;
FIG. 15 is a top view thereof; and,
FIG. 16 is a bottom view thereof.

(56) **References Cited**

U.S. PATENT DOCUMENTS

D461,586 S * 8/2002 Luchi D26/125
D681,260 S * 4/2013 Kitts D26/120
D694,943 S * 12/2013 Sonneman D26/88
D826,461 S * 8/2018 Sonneman D26/90
D930,885 S * 9/2021 Cao D26/86
D965,200 S * 9/2022 Huang D26/80
2020/0263859 A1 * 8/2020 Kinsley F21V 19/0025

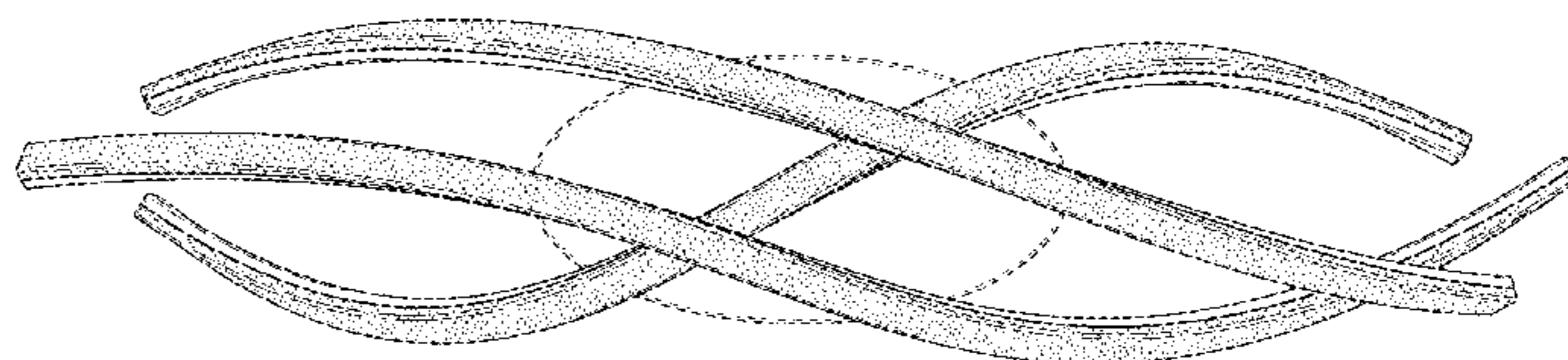
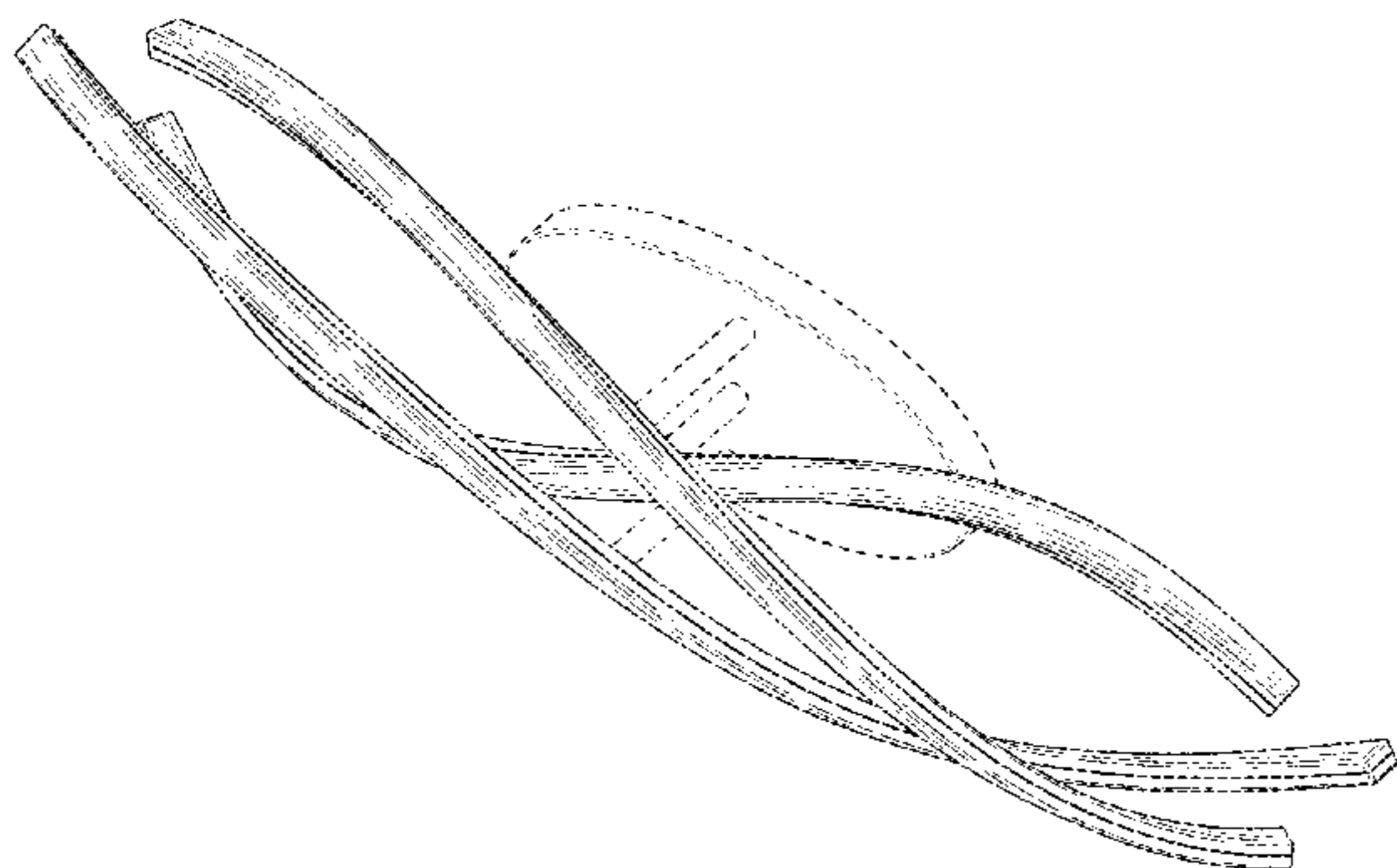
The broken lines in the drawings illustrate portions of the
environment and the lighting fixture and form no part of the
claimed design.

The stippling shown in FIGS. 9-16 is solely for the purpose
of illustrating the appearance of illumination and does not
represent texture or surface ornamentation.

OTHER PUBLICATIONS

CANEOE_Spiral_Modern_Wall_Sconce (available online Jun. 20,
2022) retrieved from the internet Feb. 24, 2023 from URL: https://

1 Claim, 14 Drawing Sheets



(56)

References Cited

OTHER PUBLICATIONS

Goeco_Modern_LED_Wall_Lamp (available Feb. 18, 2022) retrieved from the internet Feb. 24, 2023 from URL: <https://www.amazon.co.uk/Creatively-Aluminum-Decorative-Lighting-Fixtures/dp/B09ST4VFYP?th=1>.*

Nemo_In_the_Wind_Horizontal_Suspension_Lamp (available online) retrieved from the internet Feb. 24, 2023 from URL: <https://shop.mohd.it/en-us/in-the-wind-horizontal-suspension-lamp-white.html>.*

Molly McGee, pending Design U.S. Appl. No. 29/820,759, filed Dec. 23, 2021, entitled "Lighting Fixture".

Glass Ribbon Sculpture, by Nikolas Weinstein, Intercontinental Hotels Group, Shanghai, China, created 2009, printout available at <https://nikolas.net/#ihg-lobby>, retrieved Jan. 20, 2022, 5 pages, 2009.

Interlace Pendant 3000K, available from WAC Lighting, Port Washington, New York, printout retrieved on Nov. 6, 2022, available at <https://www.waclighting.com/product/interlace/>, (Wayback Verification Crawl Presence dated May 22, 2019), 5 pages, May 22, 2019.

Interlace Bathroom Sconce 3000K, available from WAC Lighting, Port Washington, New York, printout retrieved on Nov. 6, 2022, available at <https://www.waclighting.com/product/interlace-2/>, (Wayback Verification Crawl Presence dated May 17, 2019), 3 pages, May 17, 2019.

Interlace Mini Pendant 3000K, available from WAC Lighting, Port Washington, New York, printout retrieved on Nov. 6, 2022, available at <https://www.waclighting.com/product/interlace-3/>, (Wayback Verification Crawl Presence dated May 24, 2022), 7 pages, May 24, 2022.

* cited by examiner

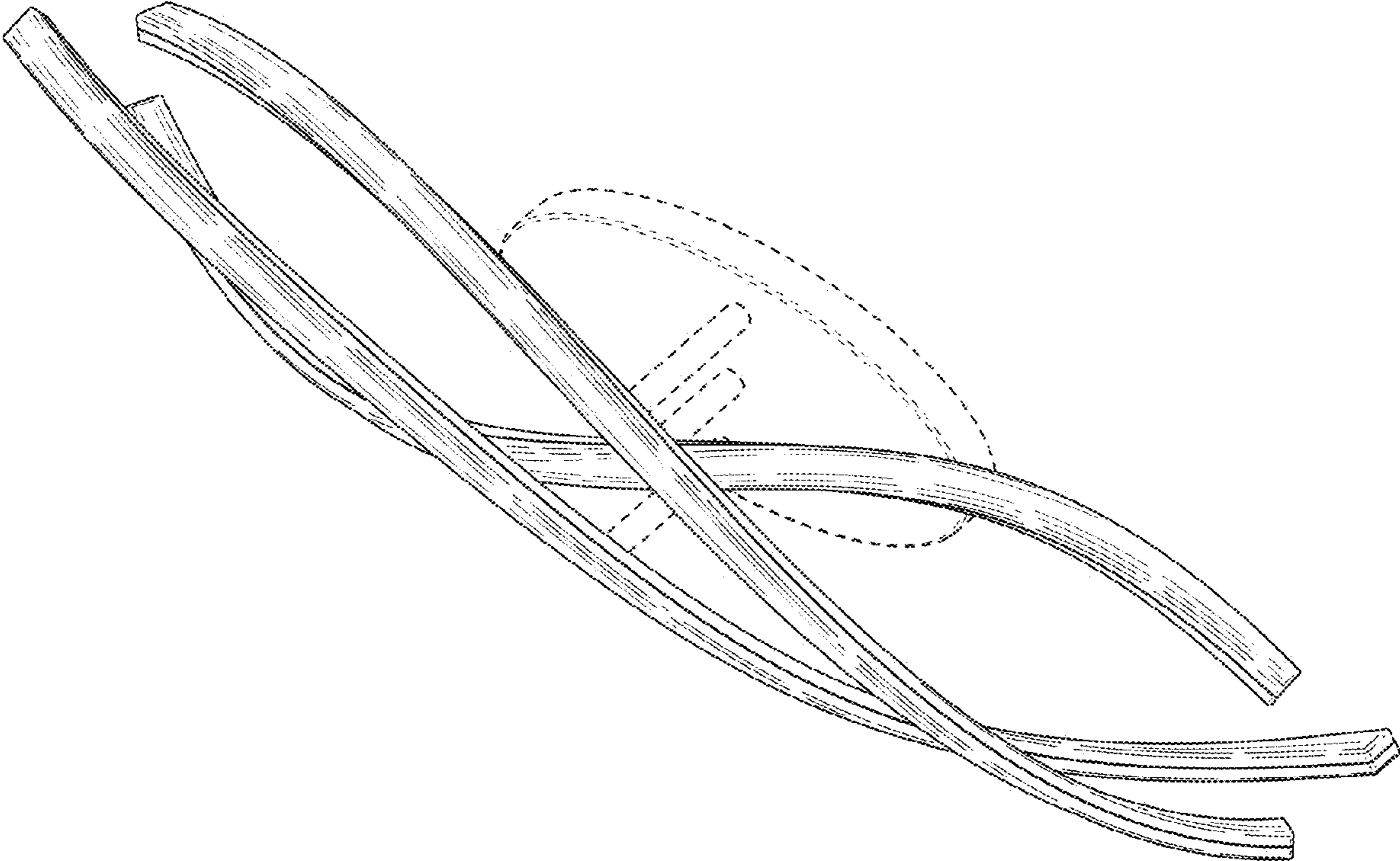


FIG. 1

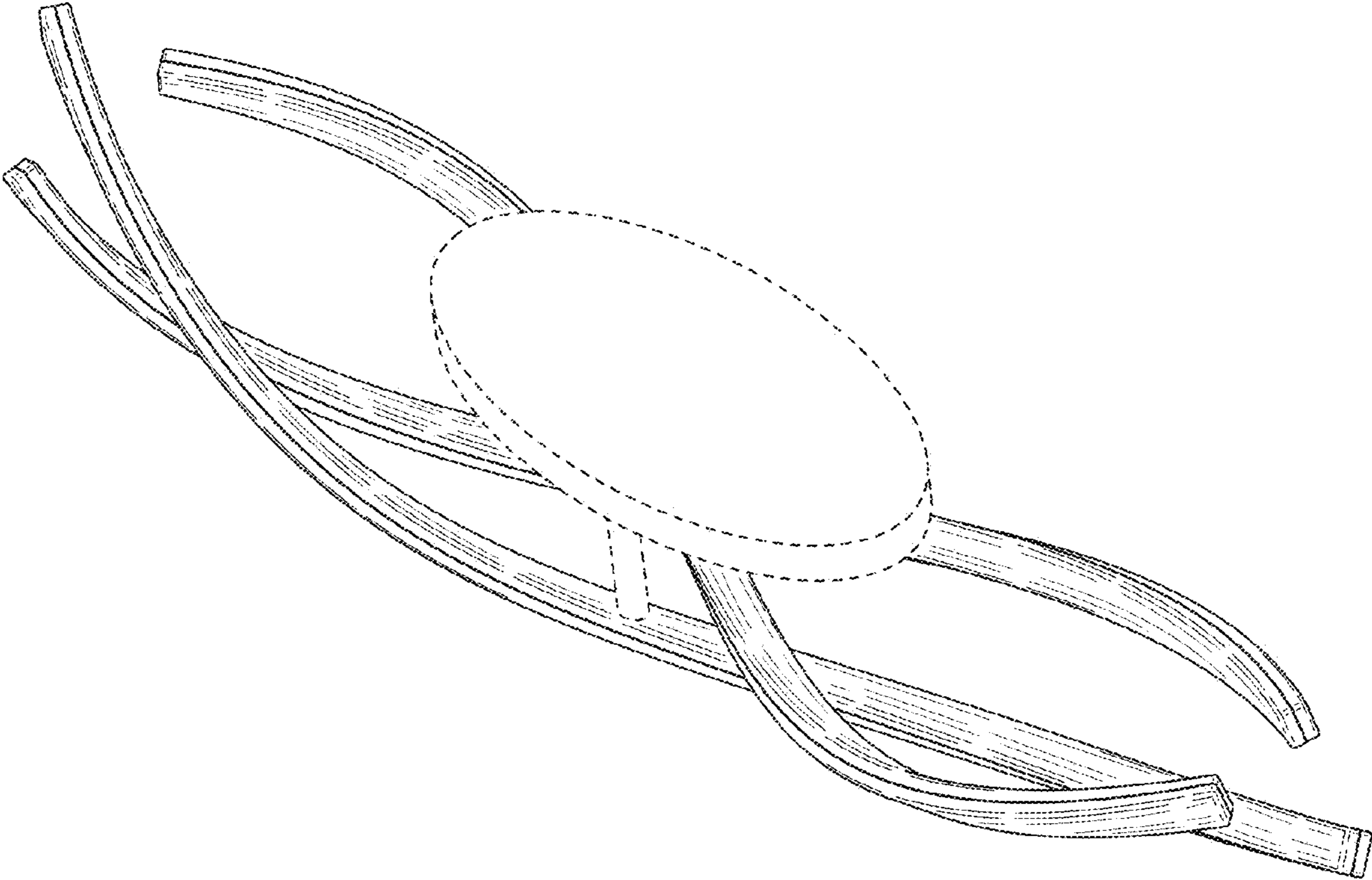


FIG. 2

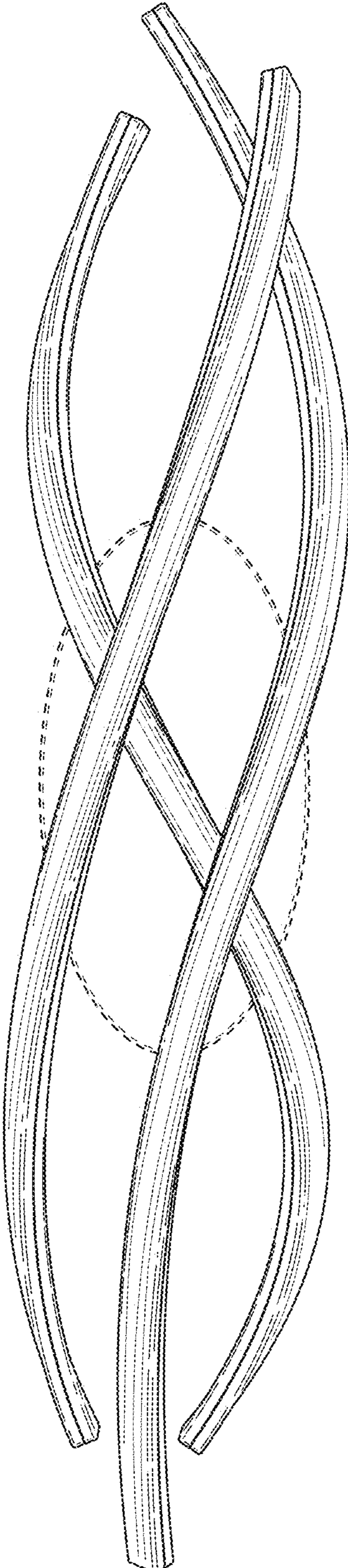


FIG. 3

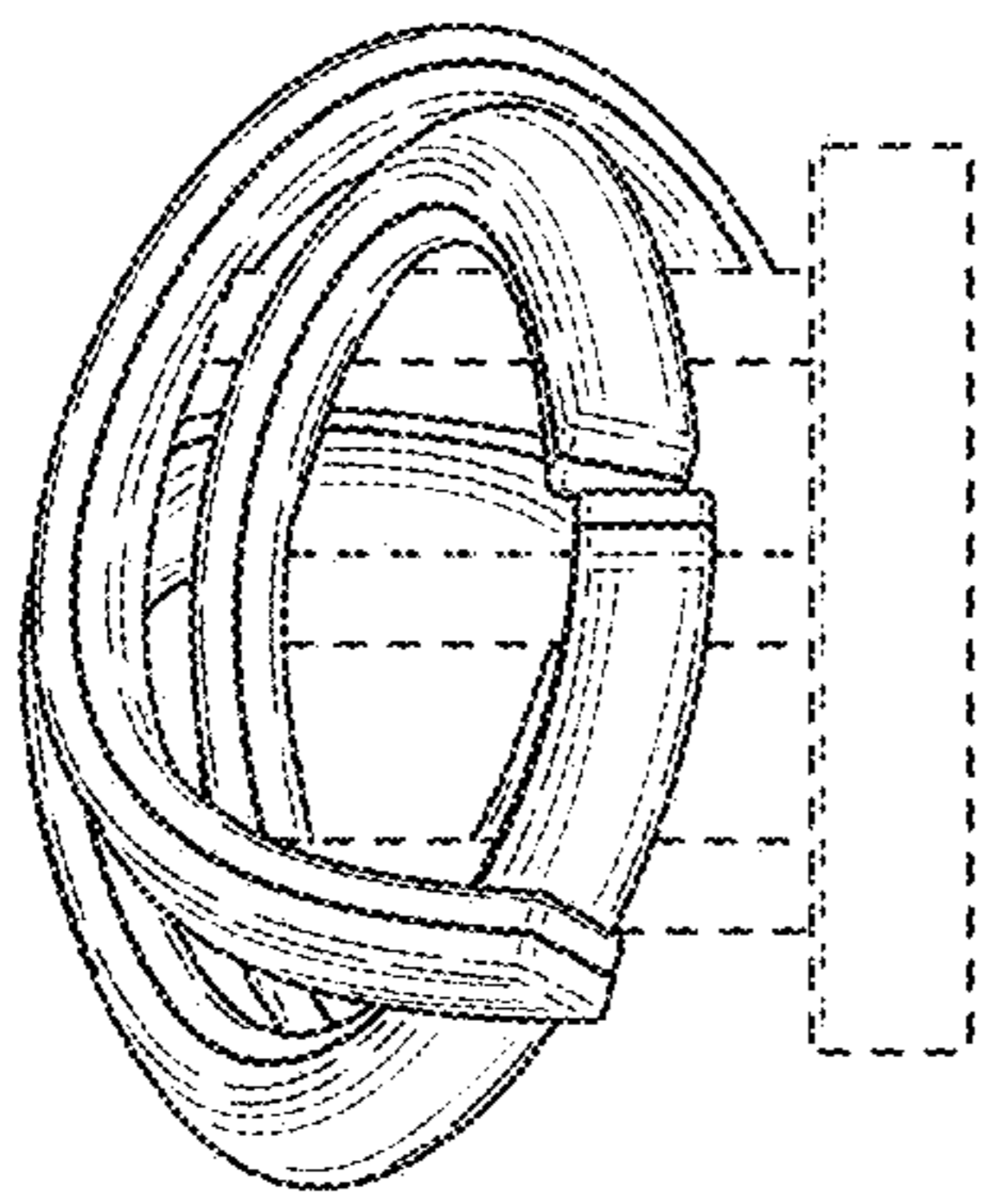


FIG. 4

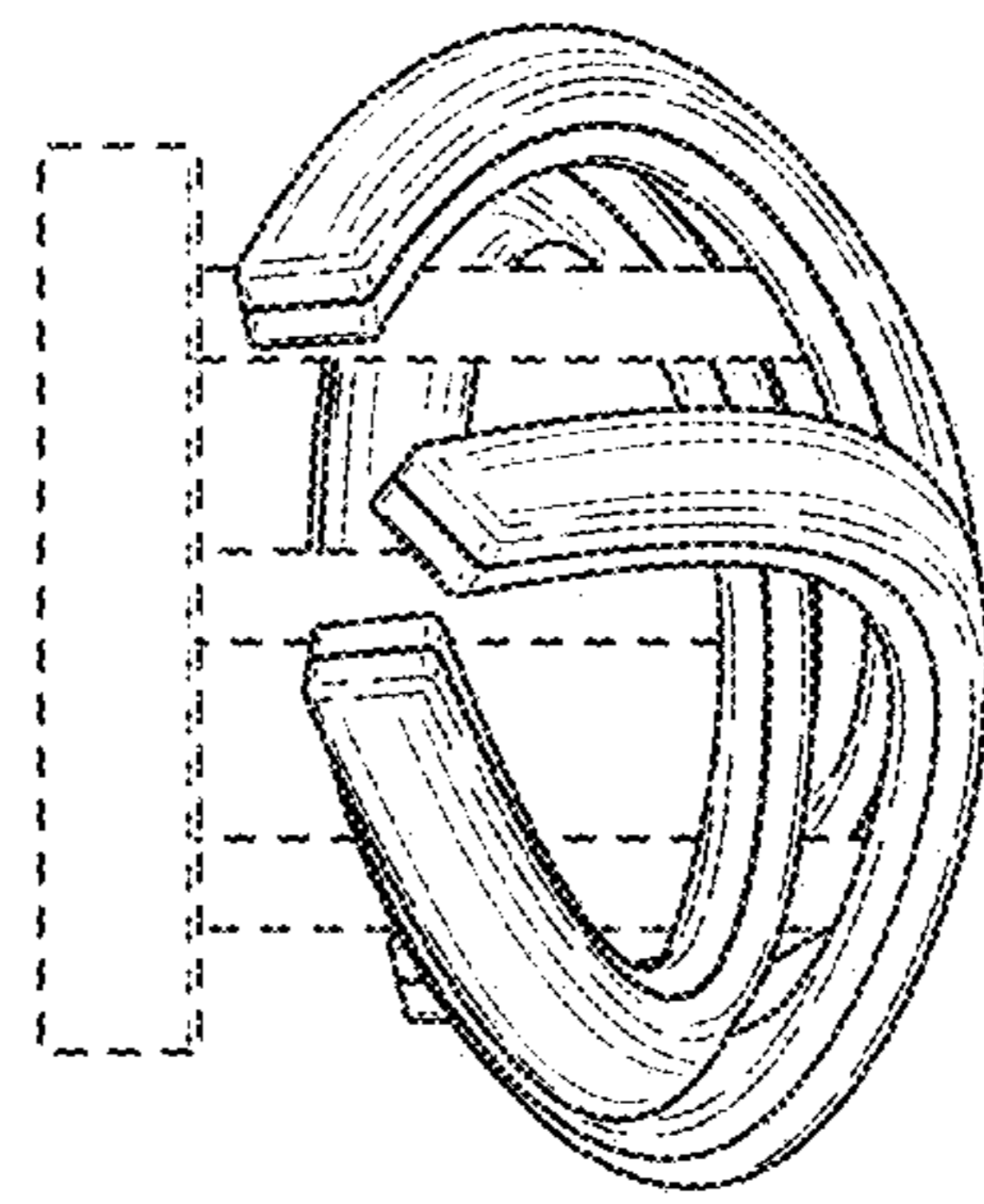


FIG. 5

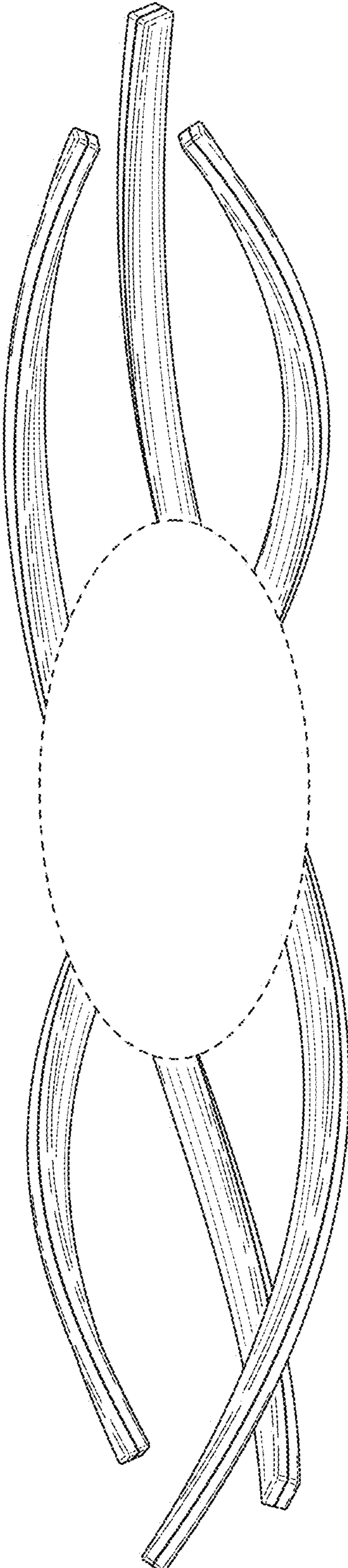


FIG. 6

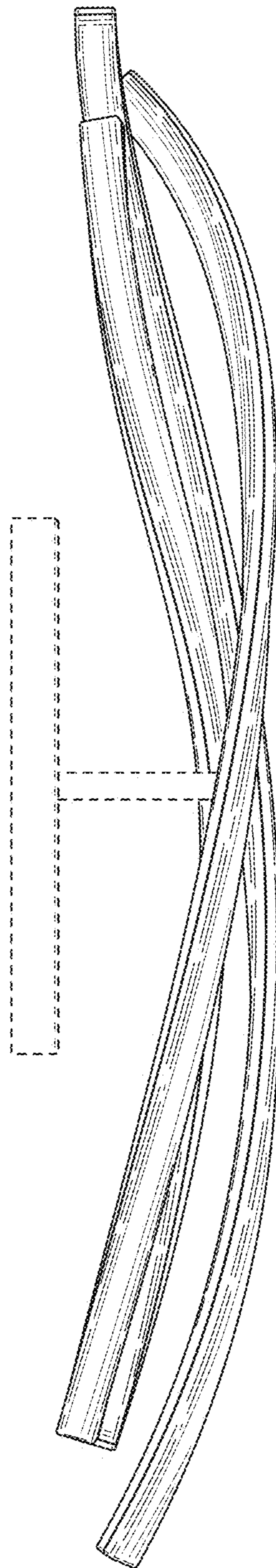


FIG. 7

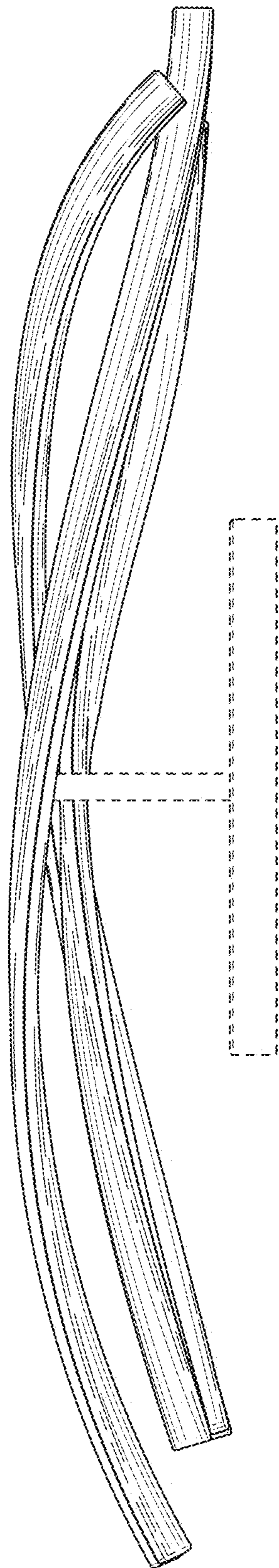


FIG. 8

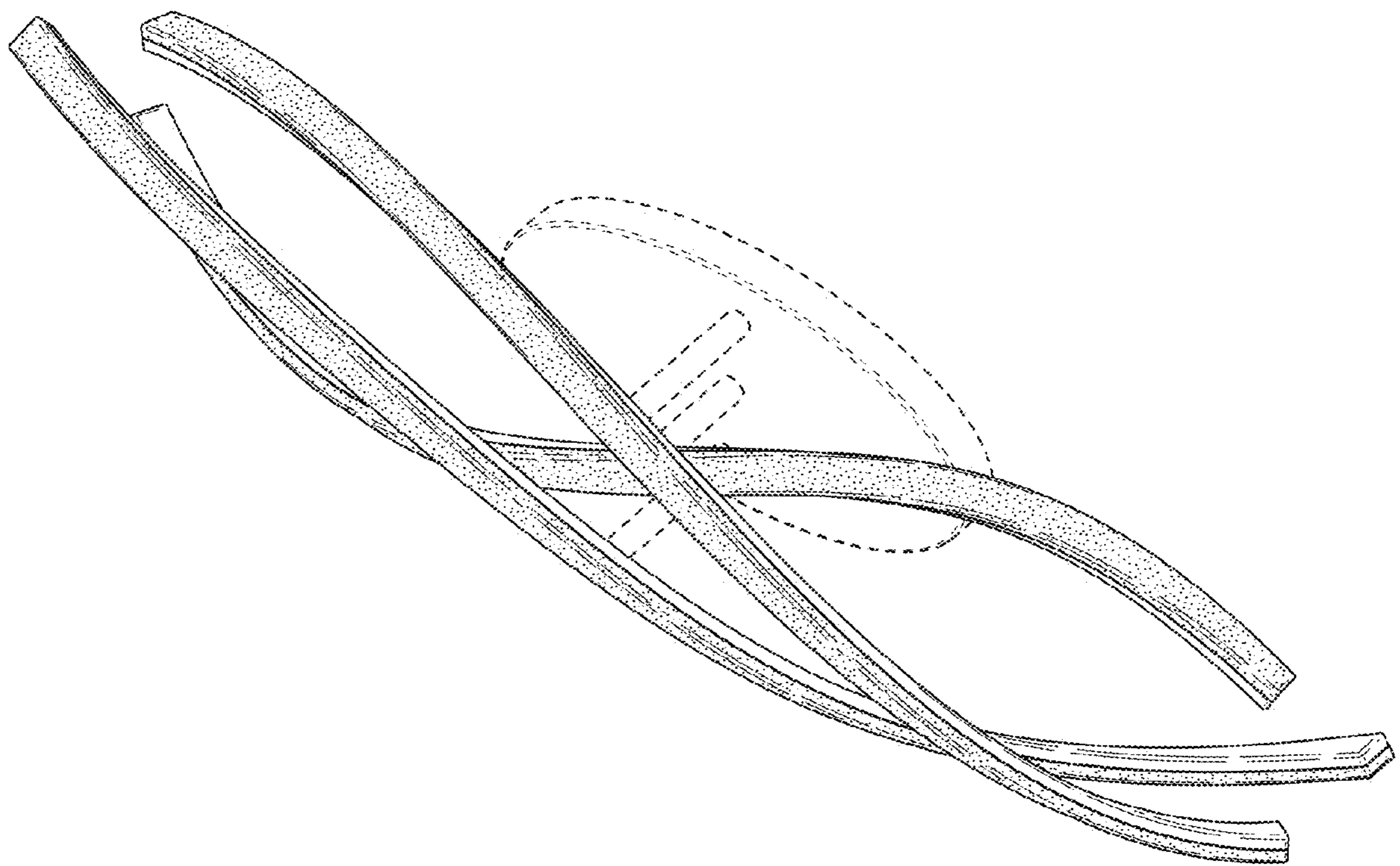


FIG. 9

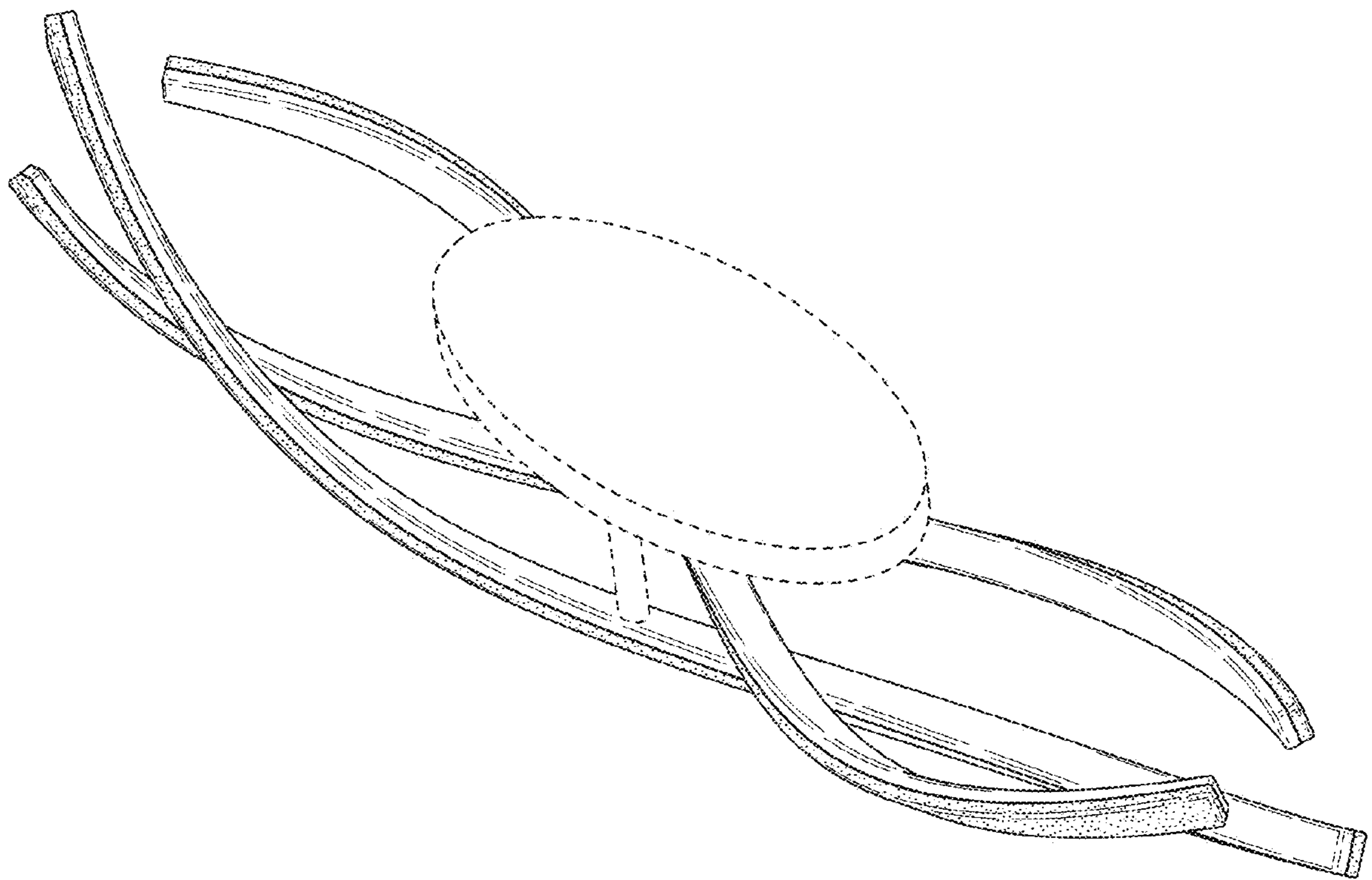


FIG. 10

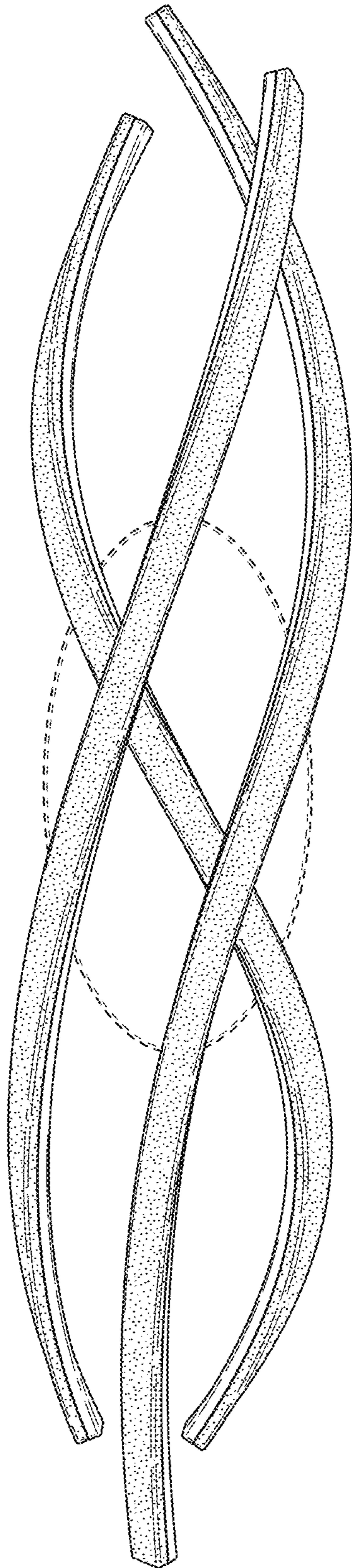


FIG. 11

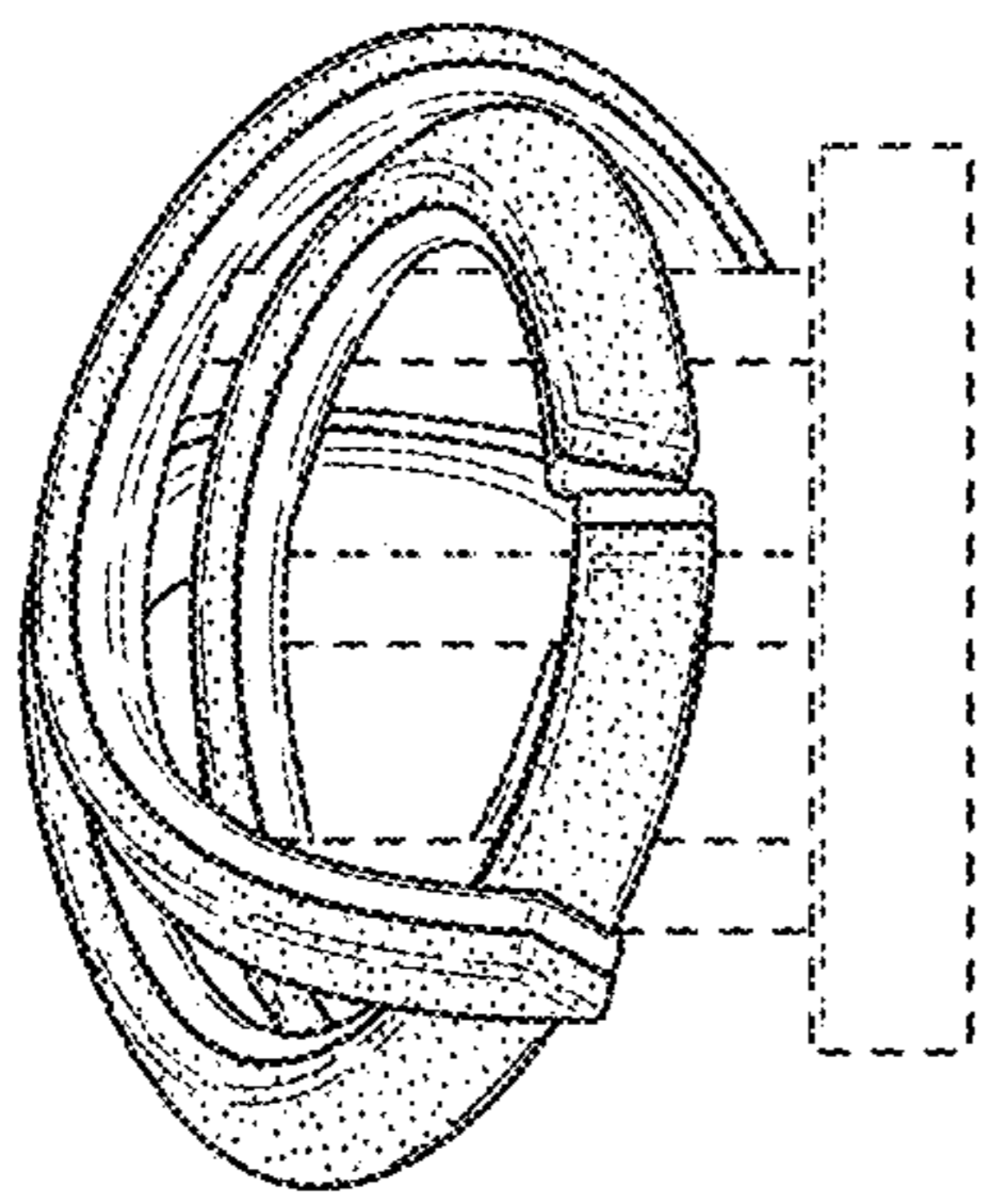


FIG. 12

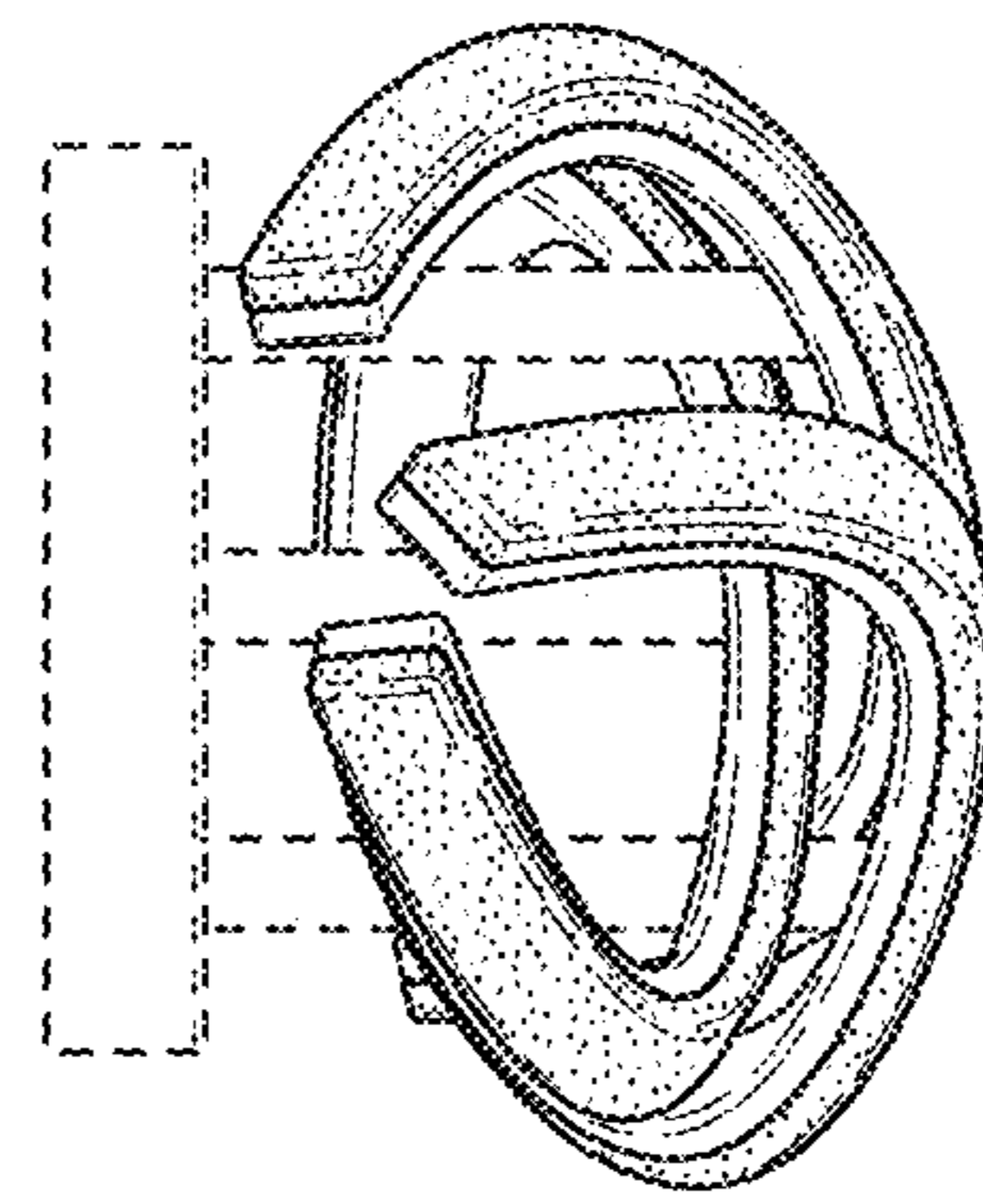


FIG. 13

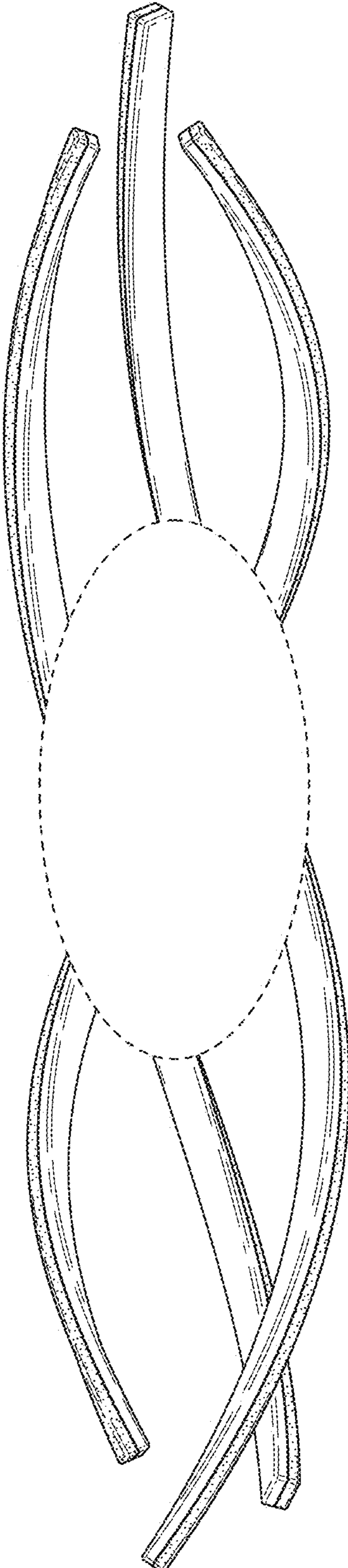


FIG. 14

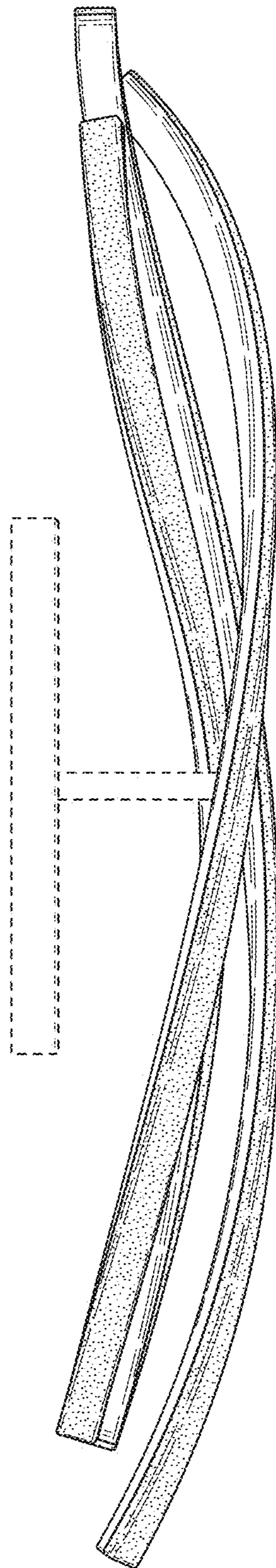


FIG. 15

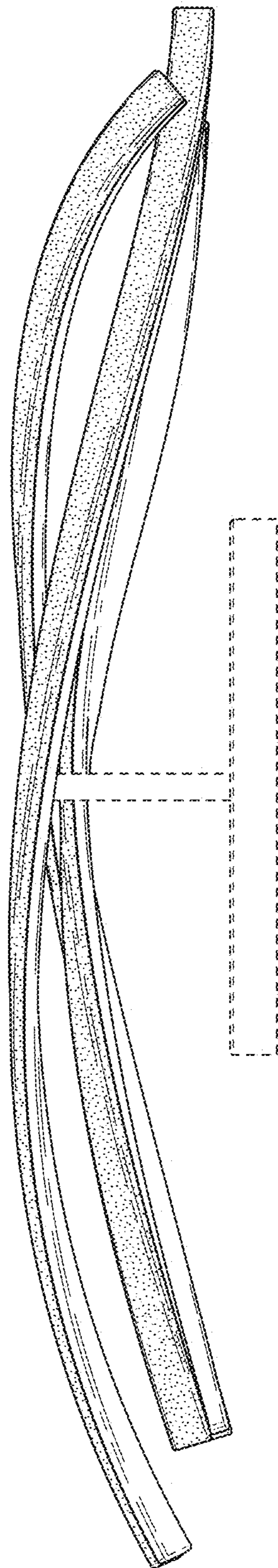


FIG. 16