



US00D987159S

(12) **United States Design Patent** (10) **Patent No.:** **US D987,159 S**  
**Rocha et al.** (45) **Date of Patent:** **\*\* May 23, 2023**

(54) **LIGHTING FIXTURE**

(71) Applicant: **Wangs Alliance Corporation**, Port Washington, NY (US)

(72) Inventors: **Adrian Rocha**, Azusa, CA (US);  
**Robert De'Armond, Jr.**, Temecula, CA (US)

(73) Assignee: **WANGS ALLIANCE CORPORATION**, Port Washington, NY (US)

(\*\*) Term: **15 Years**

(21) Appl. No.: **29/868,689**

(22) Filed: **Dec. 12, 2022**

(51) **LOC (14) Cl.** ..... **26-04**

(52) **U.S. Cl.**  
USPC ..... **D26/76**

(58) **Field of Classification Search**  
USPC ..... D26/1, 24, 51, 72-80, 85, 87, 88, 92,  
D26/104, 134, 138, 154

(Continued)

(56) **References Cited**

**U.S. PATENT DOCUMENTS**

D295,329 S \* 4/1988 Roos ..... D26/104  
D381,734 S \* 7/1997 Murphy ..... D22/134  
(Continued)

**OTHER PUBLICATIONS**

Faicuk 8W Replacement Tube and Holder, available in Amazon.com, date first available May 20, 2022 [online], [site visited Feb. 14, 2023], Available from the internet URL: <https://a.co/d/7YTLd4u> (Year: 2022).\*

(Continued)

*Primary Examiner* — Jennifer L Rempfer  
*Assistant Examiner* — Jasmine L. Comedy  
(74) *Attorney, Agent, or Firm* — Heslin Rothenberg Farley & Mesiti P.C.

(57) **CLAIM**  
The ornamental design for a lighting fixture, as shown and described.

**DESCRIPTION**

FIG. 1 is a front right perspective view from above of a lighting fixture according to the new design;  
FIG. 2 is a front left perspective view from below thereof;  
FIG. 3 is a front elevational view thereof;  
FIG. 4 is a right side elevational view thereof;  
FIG. 5 is a left side elevational view thereof;  
FIG. 6 is a rear elevational view thereof;  
FIG. 7 is a top view thereof;  
FIG. 8 is a bottom view thereof;  
FIG. 9 is a front right perspective view from above thereof, but shown illuminated;  
FIG. 10 is a front left perspective view from below thereof;  
FIG. 11 is a front elevational view thereof;  
FIG. 12 is a right side elevational view thereof;  
FIG. 13 is a left side elevational view thereof;  
FIG. 14 is a rear elevational view thereof;  
FIG. 15 is a top view thereof; and,  
FIG. 16 is a bottom view thereof.

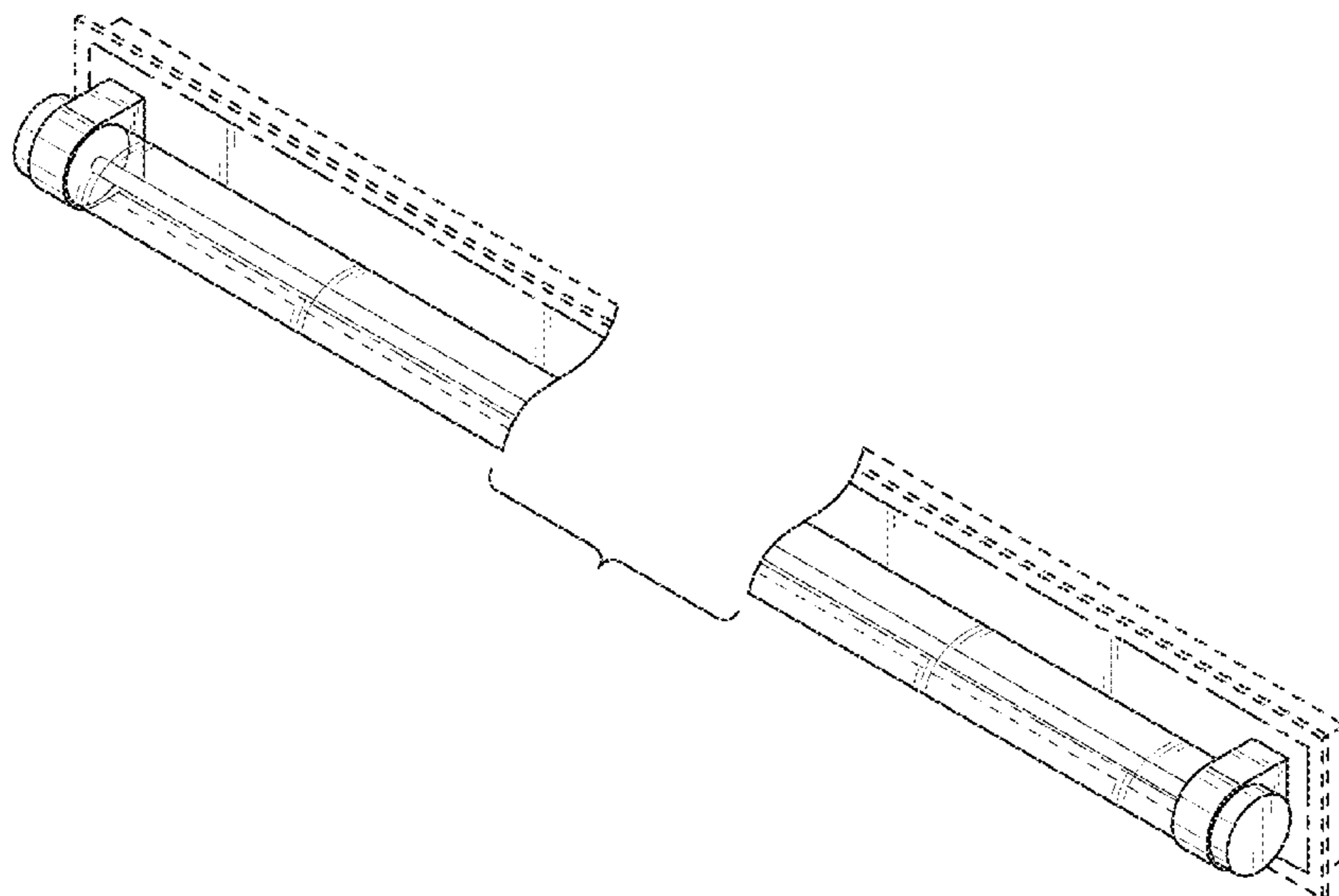
The broken lines in the drawings illustrate portions of the lighting fixture that form no part of the claimed design.

The long dash-short dash lines in the drawings represent a boundary of the claimed design and form no part of the claimed design.

The breakaway lines in the figures indicate a symbolic break in the length of the design indicating no specific length. The appearance of any portion of the design between the break lines forms no part of the claimed design.

The stippling shown in FIGS. 9-11, 15, and 16 is solely for the purpose of illustrating the appearance of illumination and does not represent texture or surface ornamentation.

**1 Claim, 14 Drawing Sheets**



(58) **Field of Classification Search**

CPC ..... F21Y 2103/00; F21Y 2103/10; F21Y 2107/30; F21V 21/02; F21V 21/30; F21V 21/03; F21V 21/10; F21S 8/00; F21S 8/033; F21S 8/04; F21S 8/043; F21S 8/036

See application file for complete search history.

(56) **References Cited**

U.S. PATENT DOCUMENTS

D438,664 S	3/2001	Lewis	
D550,885 S	9/2007	Crosby	
D635,290 S *	3/2011	Hsu .....	D26/79
D638,566 S *	5/2011	Goelz .....	D26/75
D646,002 S *	9/2011	Wang .....	D26/51
D663,884 S	7/2012	Baylar	
D690,870 S *	10/2013	Ng .....	D26/80
D719,698 S	12/2014	Mollaghaffari et al.	
D786,479 S	5/2017	Dolan	
D786,494 S	5/2017	Dolan	
D786,495 S	5/2017	Dolan	
D786,496 S	5/2017	Dolan	
D788,359 S *	5/2017	Sonneman .....	D26/138
D793,605 S	8/2017	Cartwright	
D806,304 S	12/2017	Amato et al.	
D816,894 S	5/2018	Amato et al.	
D828,607 S	9/2018	Sonneman	
D850,698 S *	6/2019	Prats .....	D26/76
D851,319 S	6/2019	Amato et al.	
D860,508 S	9/2019	Coombes et al.	
D860,510 S	9/2019	Greenberg et al.	
D863,648 S	10/2019	Amato et al.	
D866,843 S *	11/2019	Benghozi .....	D26/87
D869,082 S	12/2019	Amato et al.	
D870,953 S	12/2019	Coombes et al.	
D872,911 S	1/2020	Chen	
D888,314 S *	6/2020	Mangold .....	D26/76
D891,671 S	7/2020	Amato et al.	
D923,232 S	6/2021	Hendifar et al.	
D940,942 S *	1/2022	Zou .....	D26/85
D957,027 S *	7/2022	Yang .....	D26/76
D967,492 S	10/2022	Amato et al.	
D972,191 S	12/2022	Yebra et al.	

OTHER PUBLICATIONS

New Slim Line Modern Frosted Bathroom Vanity Light Fixture, available in Amazon.com, date first available Nov. 25, 2016 [online], [site visited Feb. 14, 2023], Available from the internet URL: <https://a.co/d/6X4JuWu> (Year: 2016).\*

ASD 48 Inch LED Bathroom Vanity Light, available in Amazon.com, date first available Jul. 6, 2021 [online], [site visited Feb. 14, 2023], Available from the internet URL: <https://a.co/d/0YeV3mR> (Year: 2021).\*

Thirteen Hifly Lighting Concepts, by Shenzhen AGC Lighting Co., Ltd., Guangdong, China, 13 pages, Feb. 7, 2022.

Motif Wall Sconce, Model No. WS74122, manufactured by Kuzco Lighting LLC, Las Vegas, Nevada, printout retrieved on Nov. 14, 2022, available at <https://kuzcolighting.com/product/motif-ws74122/>, (Wayback Verification Crawl Presence dated May 18, 2021), 8 pages, May 18, 2021.

Motif Wall Sconce, Model No. WS74226, manufactured by Kuzco Lighting LLC, Las Vegas, Nevada, printout retrieved on Nov. 18, 2022, available at <https://kuzcolighting.com/product/motif-ws74226/>, (Wayback Verification Crawl Presence dated May 18, 2021), 8 pages, May 18, 2021.

Motif Pendant, Model No. PD75027, manufactured by Kuzco Lighting LLC, Las Vegas, Nevada, printout retrieved on Nov. 18, 2022, available at <https://kuzcolighting.com/product/motif-pd75027/>, (Wayback Verification Crawl Presence dated May 18, 2021), 8 pages, May 18, 2021.

HiFly A LED Linear High Bay Fixtures With PIR/Microwave Motion Sensors, manufactured by Shenzhen AGC Lighting Co., Ltd., Guangdong, China, available from Lighting Manufacturer (<https://www.manufacturer.lighting/>), printout retrieved on Nov. 18, 2022, available at <https://www.manufacturer.lighting/products/342/>, (Wayback Verification Crawl Presence dated Jul. 30, 2019), 4 pages, Jul. 30, 2019.

Rocha et al., U.S. Appl. No. 29/868,686, Notice of Allowance, dated Feb. 28, 2023, 7 pages, Feb. 28, 2023.

Rocha et al., U.S. Appl. No. 29/868,687, Notice of Allowance, dated Feb. 28, 2023, 7 pages, Feb. 28, 2023.

Adrian Rocha and Robert De'Armond, Jr., U.S. Appl. No. 29/868,686, filed Dec. 12, 2022, entitled "Lighting Fixture," 18 pages.

Adrian Rocha and Robert De'Armond, Jr., U.S. Appl. No. 29/868,687, filed Dec. 12, 2022, entitled "Lighting Fixture," 18 pages.

Molly McGee, U.S. Appl. No. 29/820,686, filed Dec. 23, 2021, entitled "Lighting Fixture," 23 pages.

Kelly Wearstler, Phobos Medium Chandelier, First available unknown. Searched Feb. 16, 2023. [<https://www.kellywearstler.com/chandeliers/phobos-medium-chandelier/700PHB24.html>], 4 pages. (Year: 2023).

Mora Lighting, Claire Collection. First available unknown. Searched Feb. 16, 2023. [<https://aloralighting.com/product/claire-ch607232/>], 3 pages. (Year: 2023).

Shades of Light, Eliza Minimalist Chandelier. First available unknown. Searched Feb. 16, 2023. [<https://www.shadesoflight.com/products/eliza-minimalist-chandelier-large>], 3 pages. (Year: 2023).

Restoration Hardware, Cannele Round Chandelier. First available unknown. Searched Feb. 16, 2023. [<https://rh.com/catalog/category/products.jsp?categoryid=cat7140144>], 2 pages. (Year: 2023).

\* cited by examiner

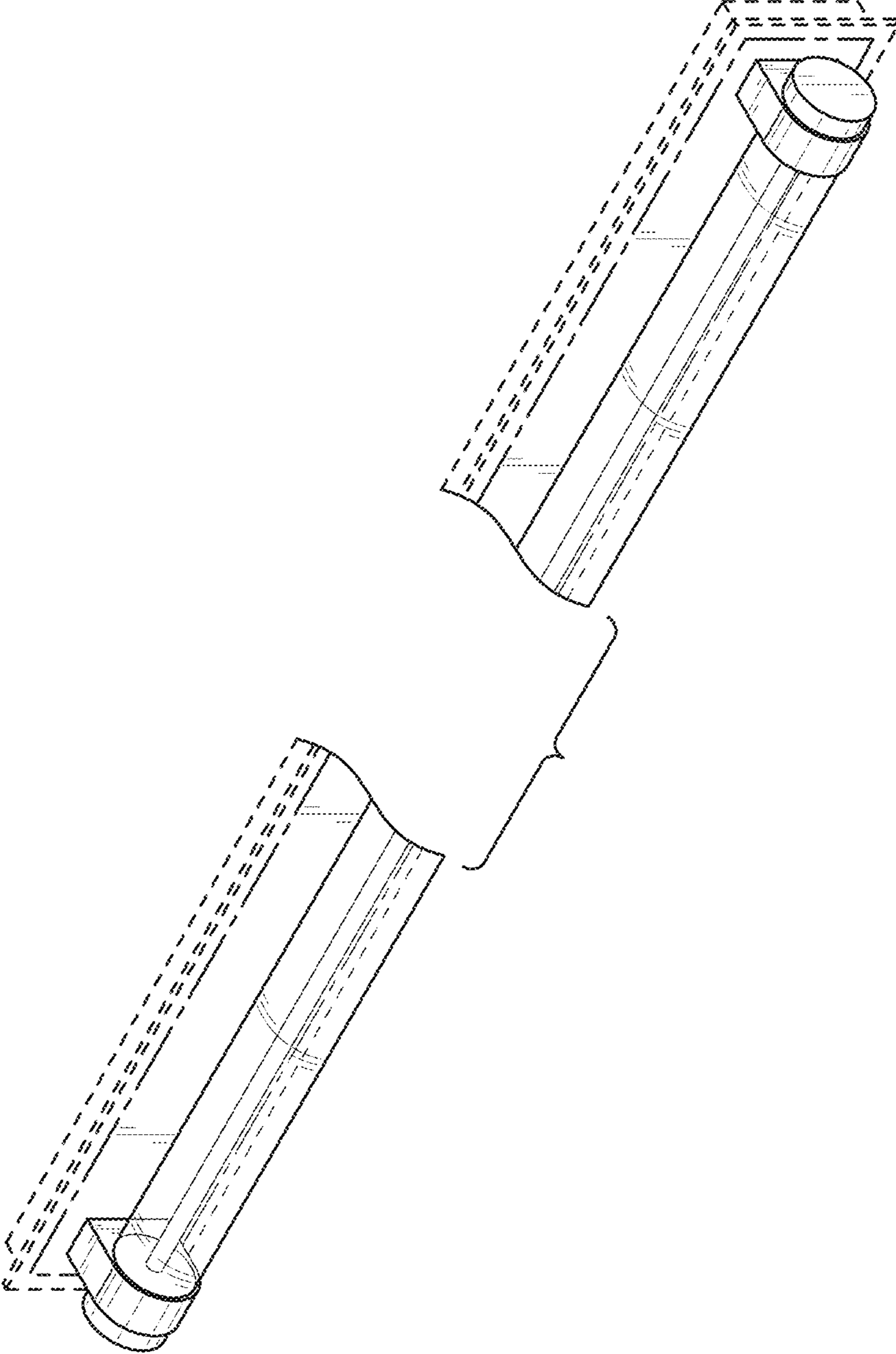


FIG. 1

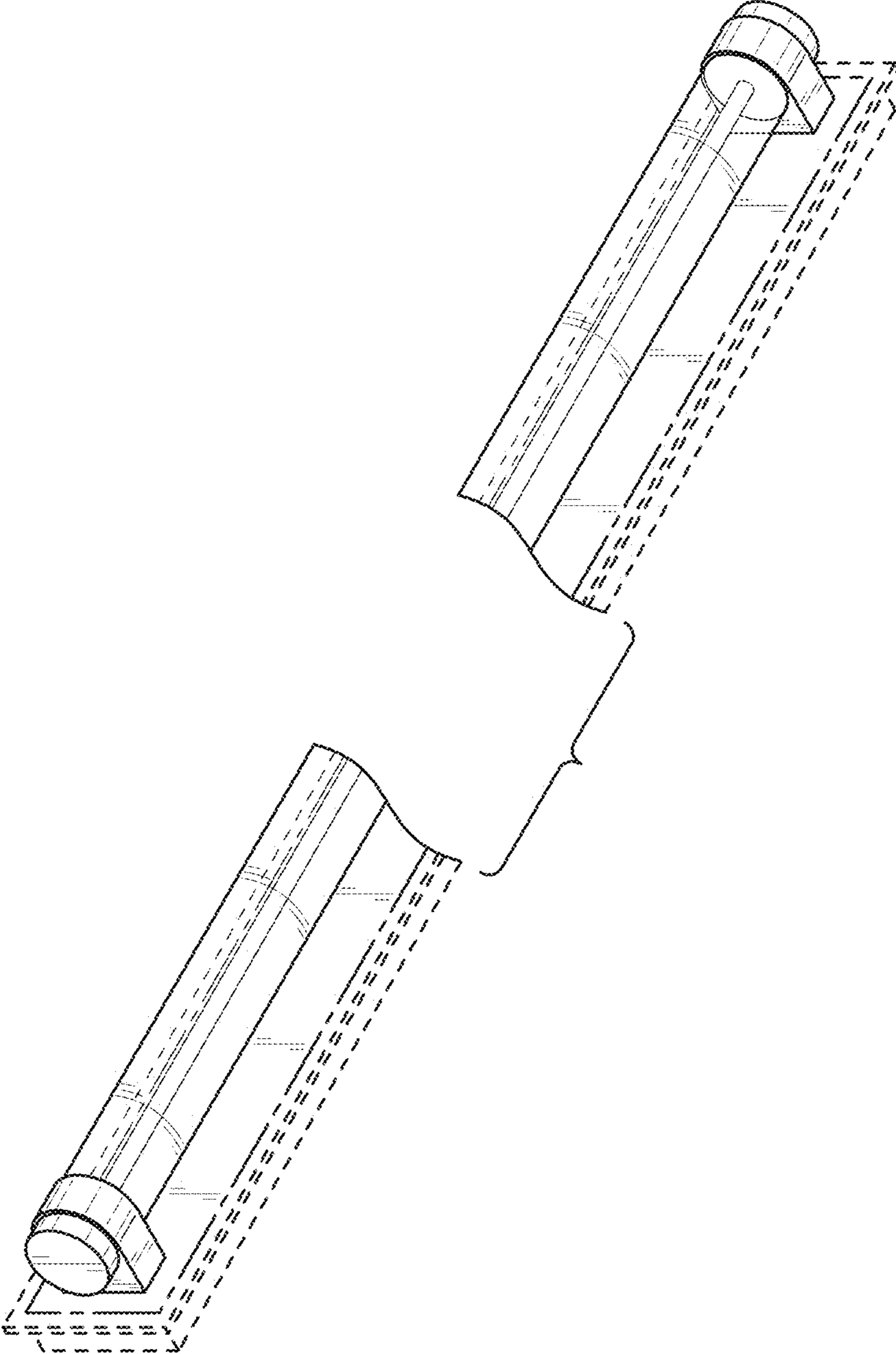


FIG. 2

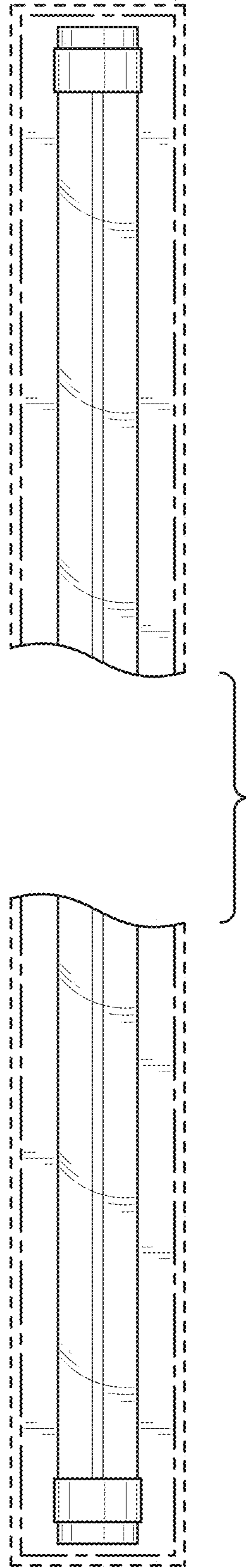


FIG. 3

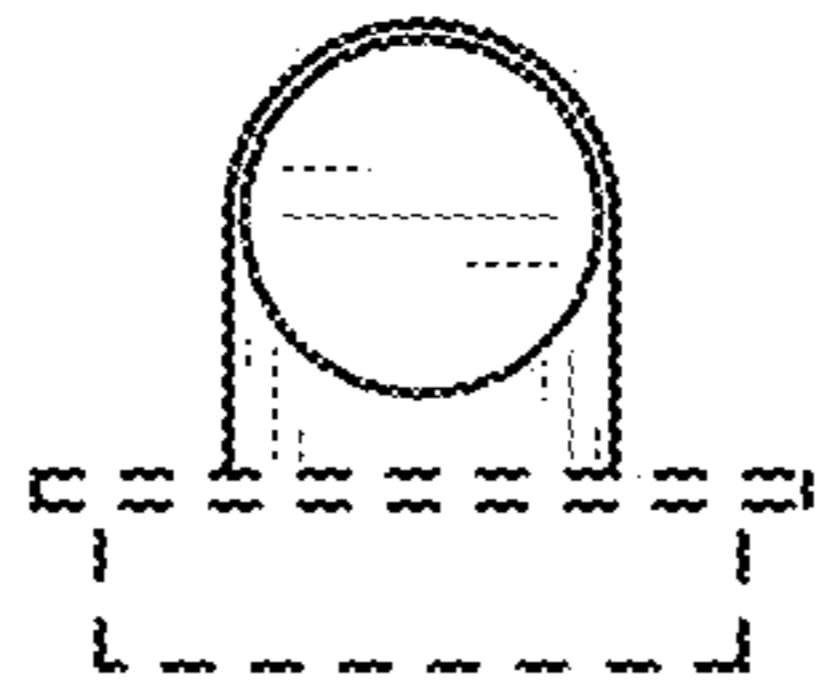


FIG. 5

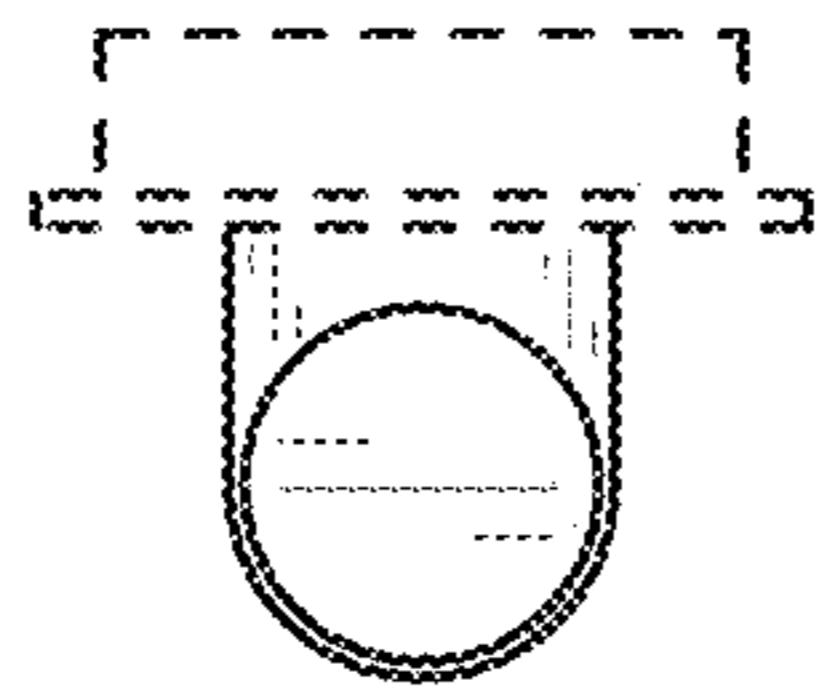


FIG. 4

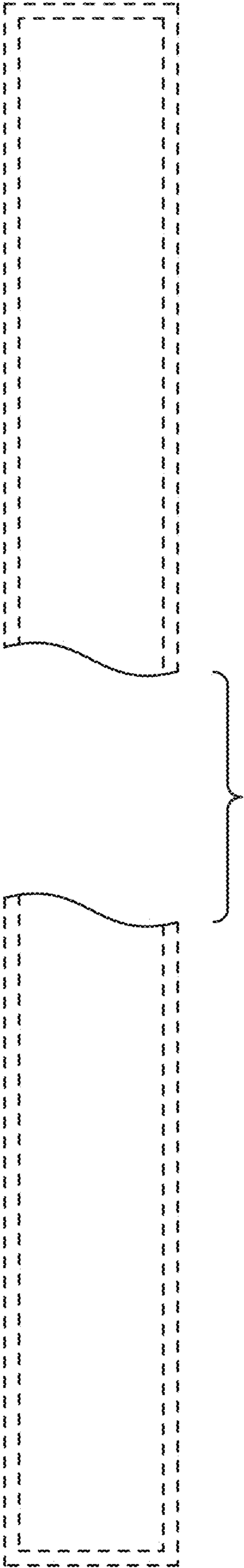


FIG. 6

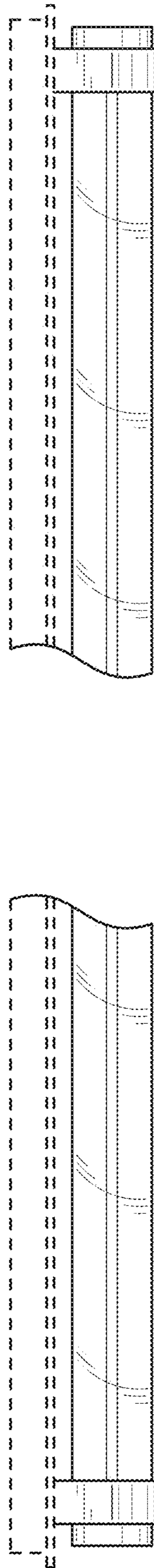


FIG. 7





FIG. 8

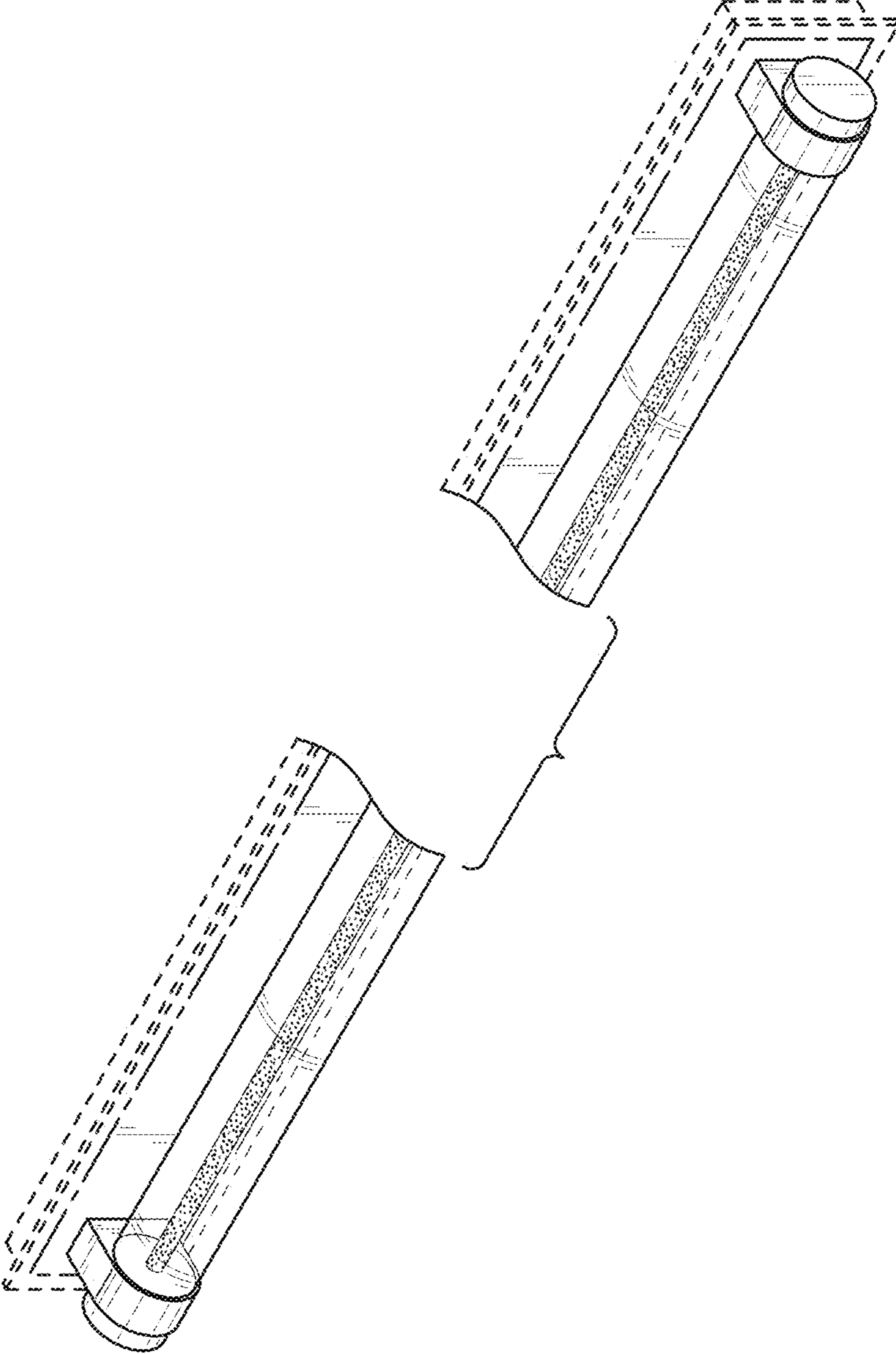


FIG. 9

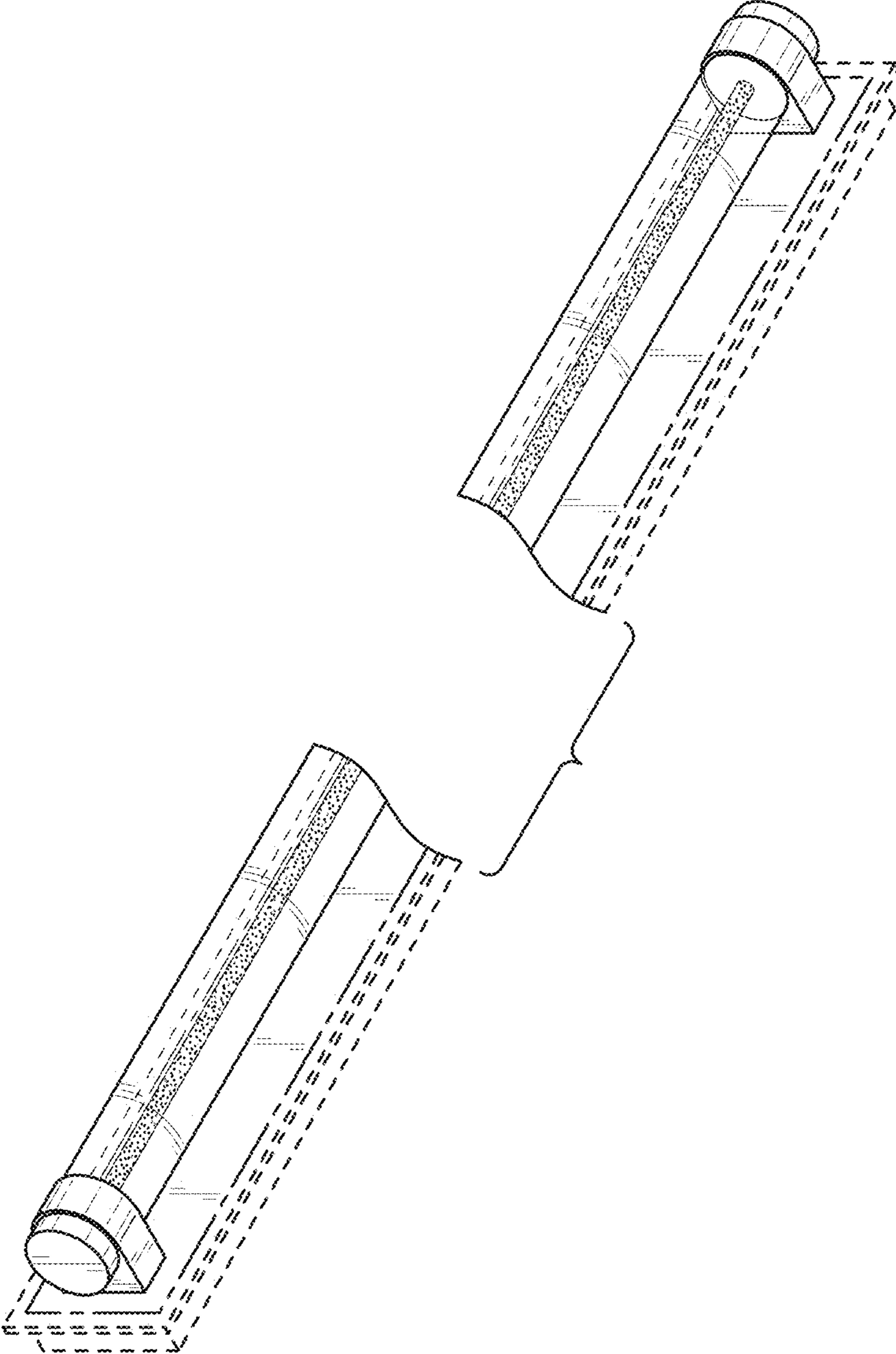


FIG. 10



FIG. 11

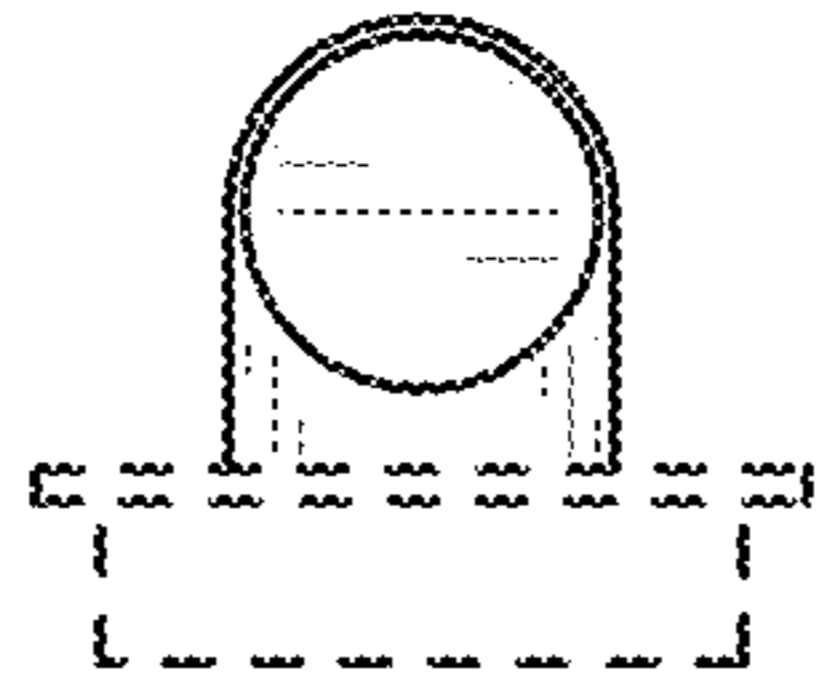


FIG. 13

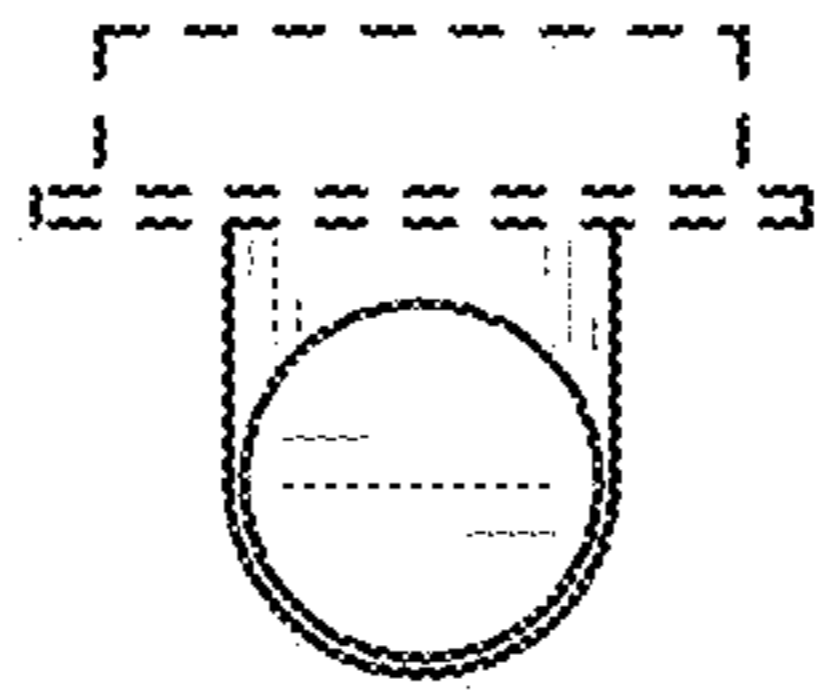


FIG. 12

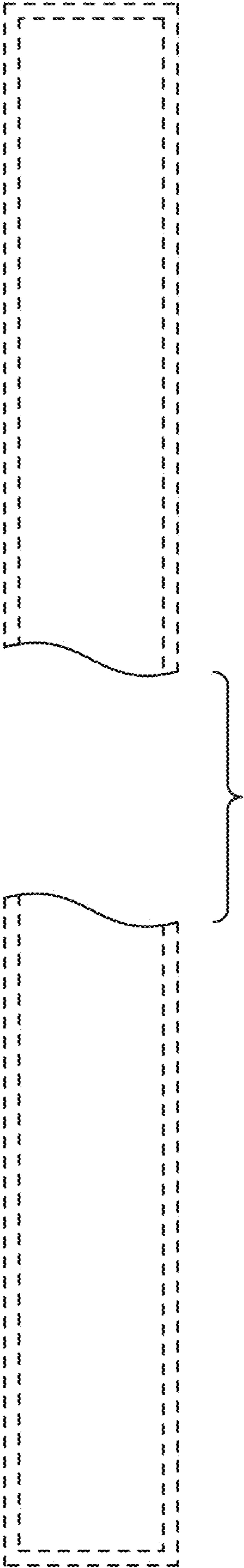


FIG. 14



FIG. 15



FIG. 16