



US00D987156S

(12) **United States Design Patent** (10) **Patent No.:** **US D987,156 S**
Yan (45) **Date of Patent:** **** May 23, 2023**

(54) **CAR STROBE LIGHT**
(71) Applicant: **RunAn Yan**, Huizhou (CN)
(72) Inventor: **RunAn Yan**, Huizhou (CN)
(**) Term: **15 Years**
(21) Appl. No.: **29/870,670**
(22) Filed: **Feb. 1, 2023**
(51) **LOC (14) Cl.** **10-05**
(52) **U.S. Cl.**
USPC **D10/114.4**
(58) **Field of Classification Search**
USPC D26/28, 72, 85; D10/114.1-114.4
CPC F21S 8/03; F21S 8/033; B60Q 1/46; B60Q
1/2611; B60Q 1/2615; F21W 2103/00
See application file for complete search history.

D906,146 S * 12/2020 Goltche D10/114.4
D959,312 S * 8/2022 Yuan D10/114.4
D977,356 S * 2/2023 Squicciarini B60Q 1/2607
D10/114.4

OTHER PUBLICATIONS

LE-JX, Strobe Light Bar. First available Sep. 19, 2019. Searched on Mar. 20, 2023. [https://www.amazon.com/dp/B07Y2SG81P/] (Year: 2019).*
ASPL, Strobe Light Bar. First available Oct. 7, 2020. Searched on Mar. 20, 2023. [https://www.amazon.com/ASPL-16-8-Inch-Light-Bar/dp/B08KT1BNBF] (Year: 2020).*
Lumenix, Strobe Light Bar. First available Oct. 21, 2019. Searched on Mar. 20, 2023. [https://www.amazon.com/Upgraded-Intensity-Emergency-Magnetic-Construction/dp/B082V3ZBHX] (Year: 2019).*

* cited by examiner

Primary Examiner — W. A. Teddy Falloway
Assistant Examiner — Melissa Adriane Santos

(56) **References Cited**

U.S. PATENT DOCUMENTS

D585,318 S * 1/2009 Jalala D10/114.4
D602,391 S * 10/2009 Stein D10/114.4
D614,987 S * 5/2010 Kaffash D10/114.4
D617,227 S * 6/2010 Cai D10/114.4
D631,771 S * 2/2011 Kuo D10/114.4
D649,077 S * 11/2011 Deyaf D10/114.4
D651,927 S * 1/2012 Kuo D10/114.4
D652,753 S * 1/2012 Deyaf D10/114.4
D737,713 S * 9/2015 Deyaf D10/114.4
D751,445 S * 3/2016 Goltche D10/114.4
D753,006 S * 4/2016 Deyaf D26/37
D782,933 S * 4/2017 Goltche D10/114.4
D783,436 S * 4/2017 Goltche D10/114.4
D787,358 S * 5/2017 Yu D10/114.4
D793,891 S * 8/2017 Deyaf D10/114.4
D796,502 S * 9/2017 Bowes D14/348
D835,535 S * 12/2018 Deyaf D10/114.4
D840,855 S * 2/2019 Goltche D10/114.4
D845,522 S * 4/2019 Xu
D864,008 S * 10/2019 Goltche D10/114.4
D870,585 S * 12/2019 Lyons D10/114.4
D875,589 S * 2/2020 Yu D10/114.4

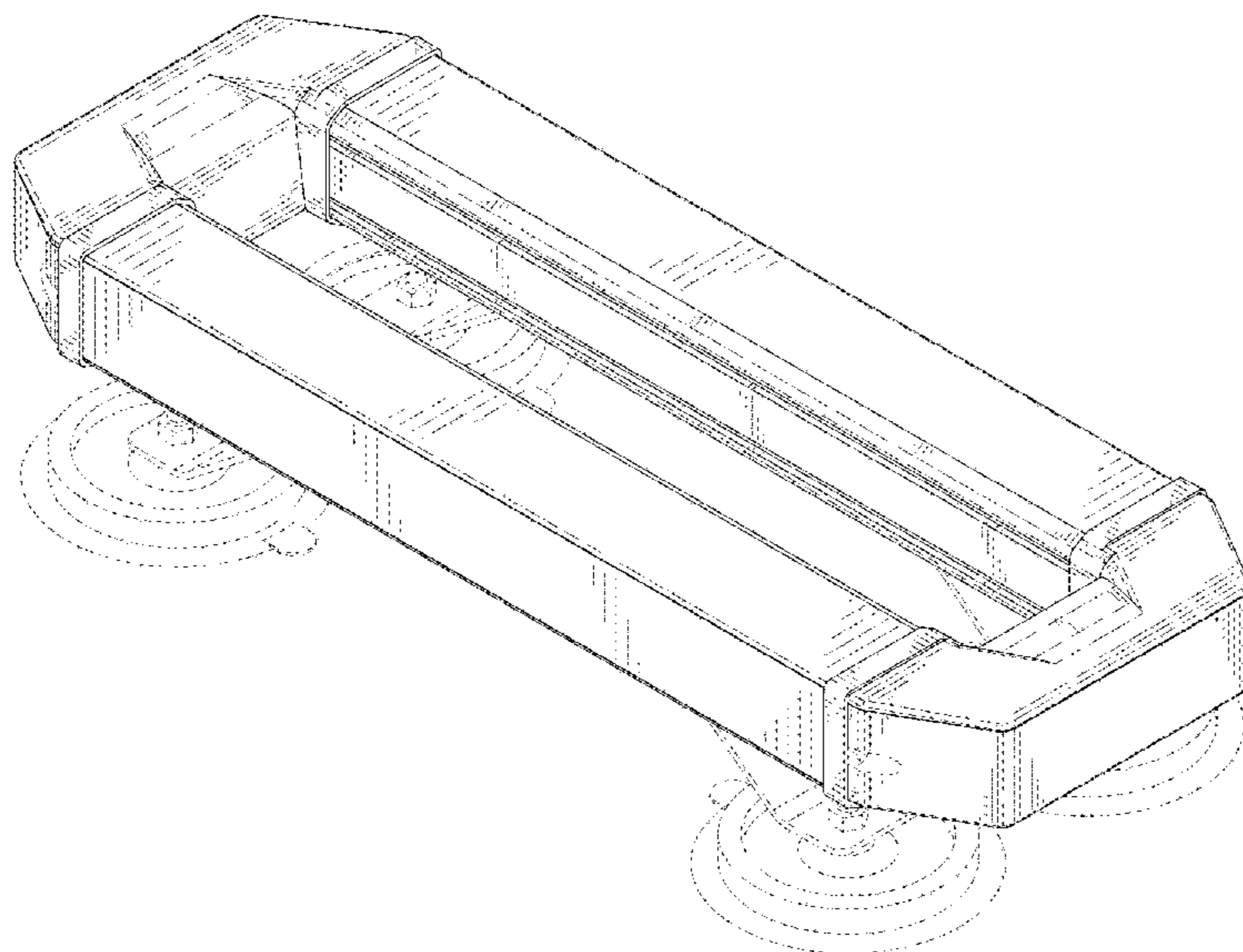
(57) **CLAIM**

The ornamental design for a car strobe light, as shown and described.

DESCRIPTION

FIG. 1 is a front and top perspective view of a car strobe light, showing my new design;
FIG. 2 is a rear and bottom perspective view thereof;
FIG. 3 is a front elevation view thereof;
FIG. 4 is a rear elevation view thereof;
FIG. 5 is a left side elevation view thereof;
FIG. 6 is a right side elevation view thereof;
FIG. 7 is a top plan view thereof; and,
FIG. 8 is a bottom plan view thereof.
The broken lines in the figures illustrate portions of the car strobe light that form no part of the claimed design.

1 Claim, 8 Drawing Sheets



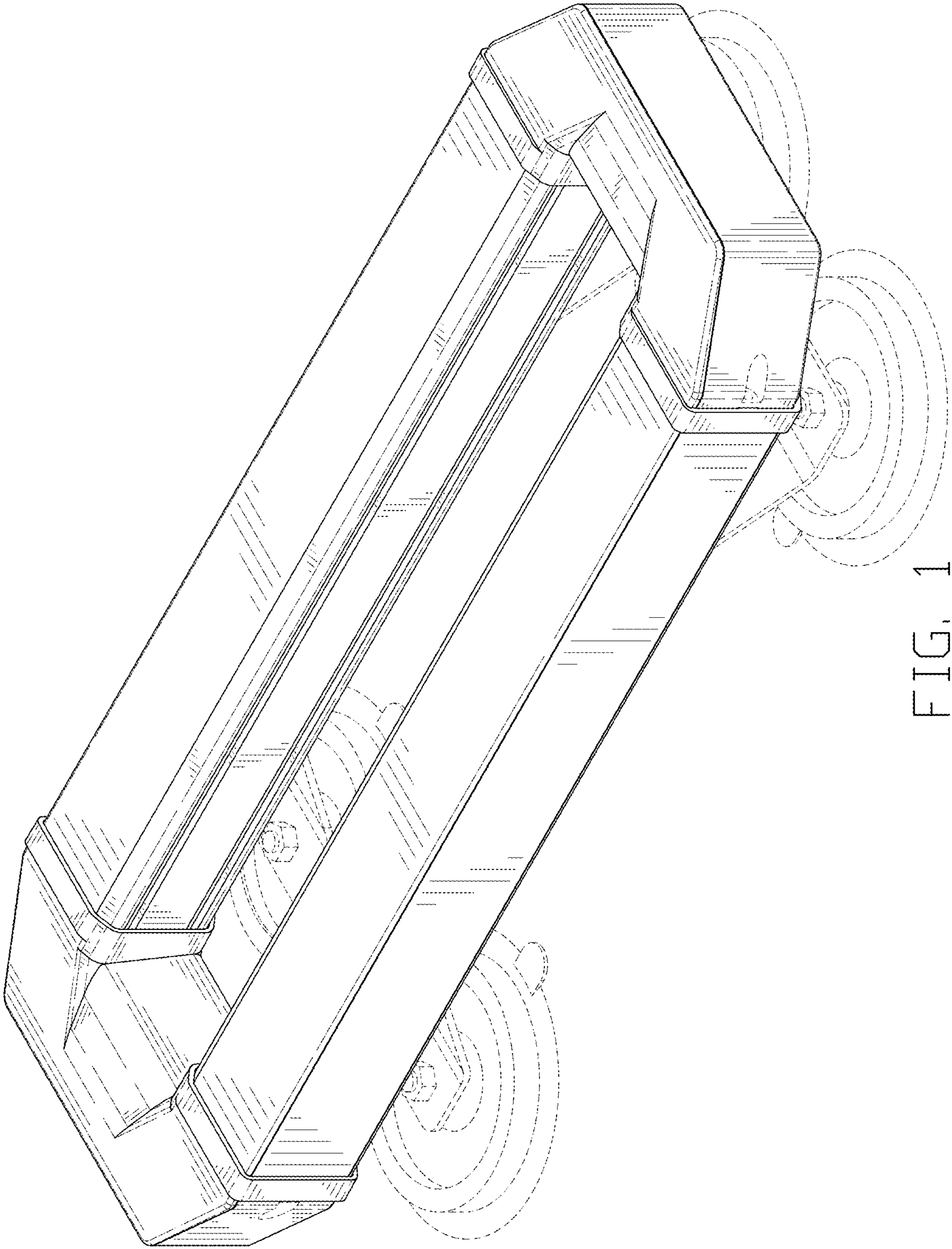


FIG. 1

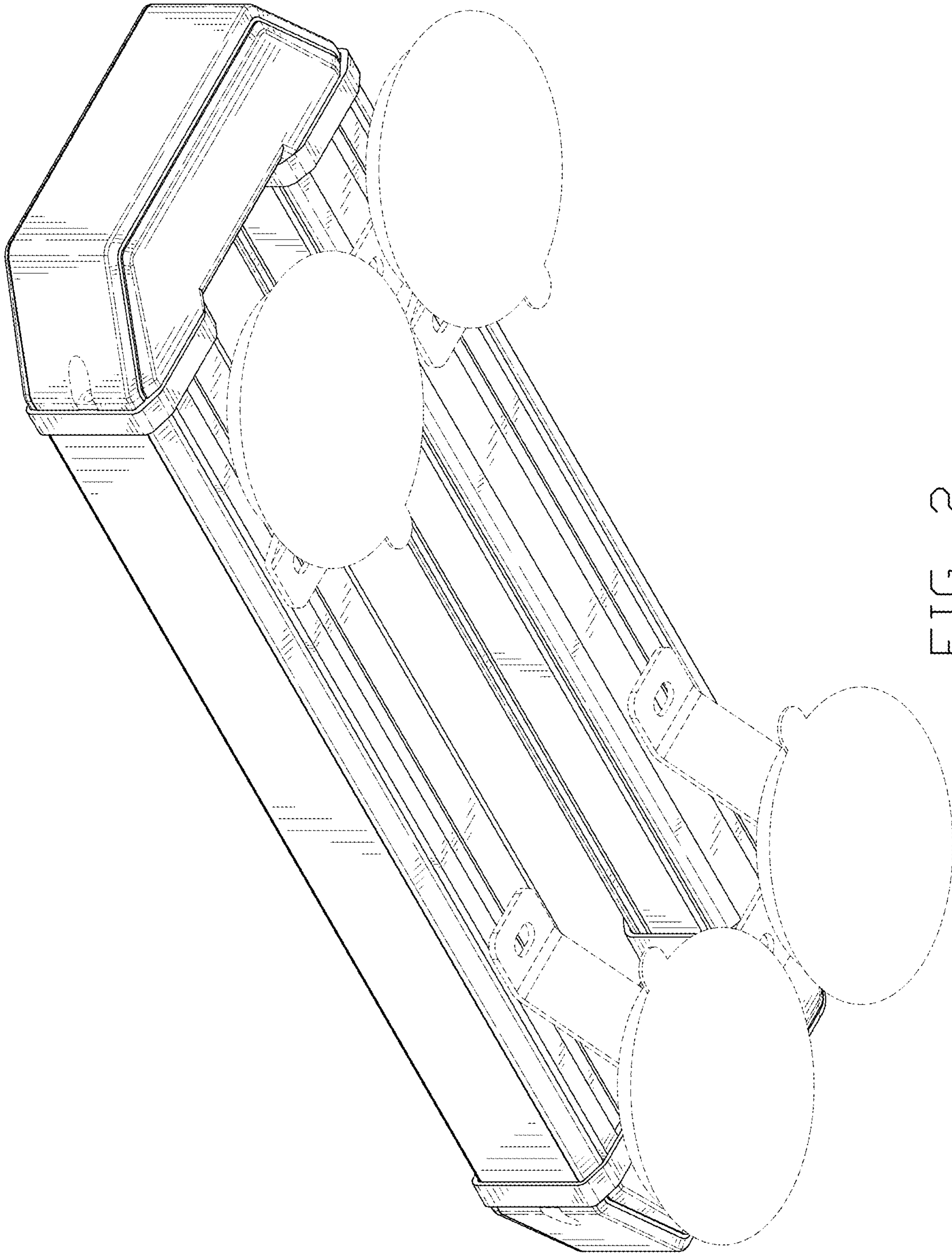


FIG. 2

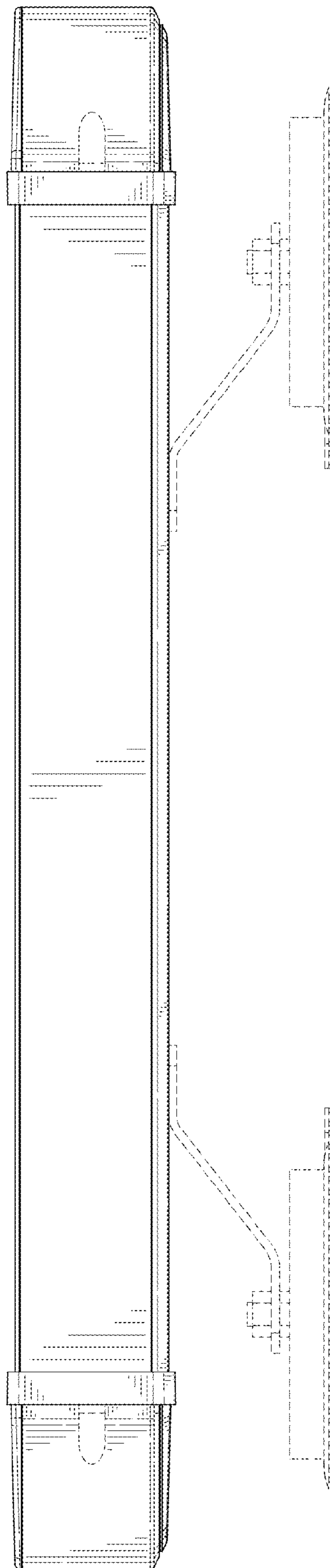


FIG. 3

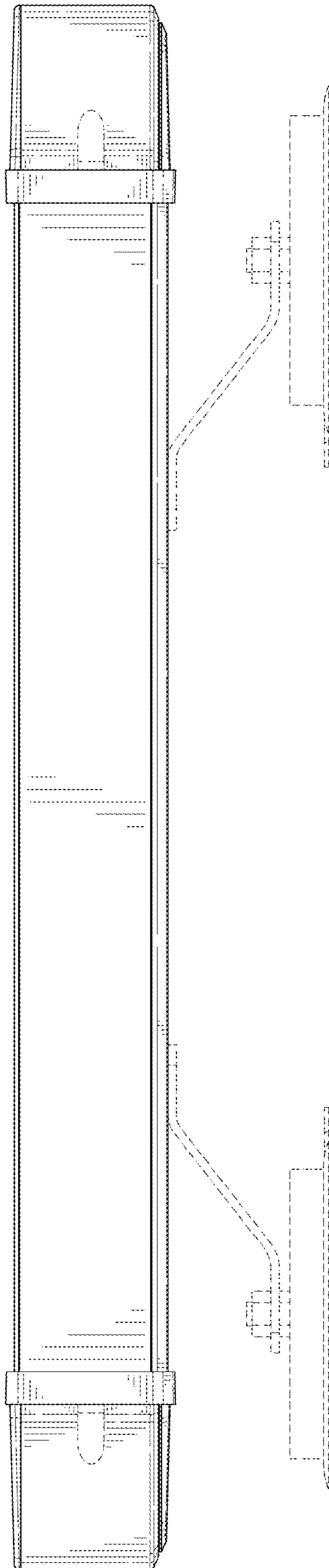


FIG. 4

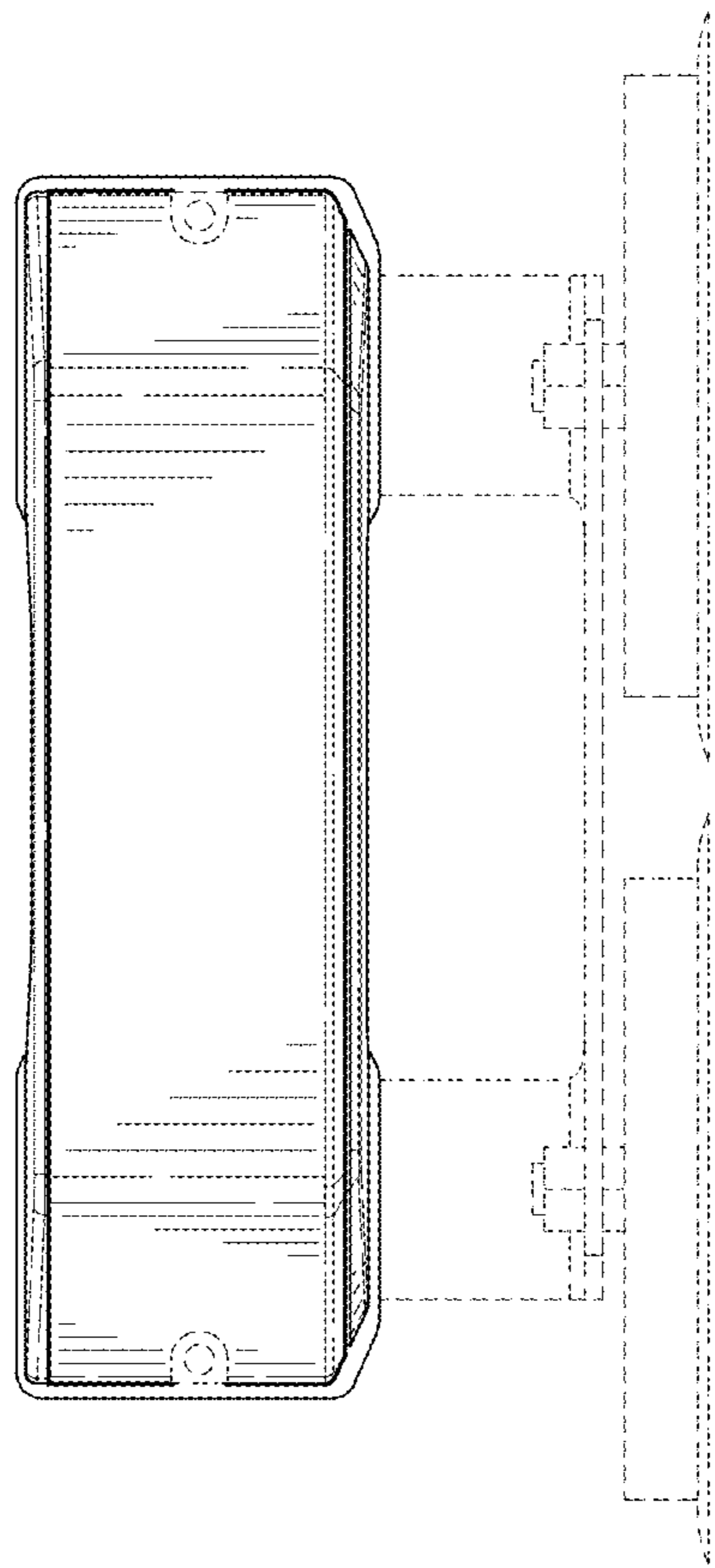


FIG. 5

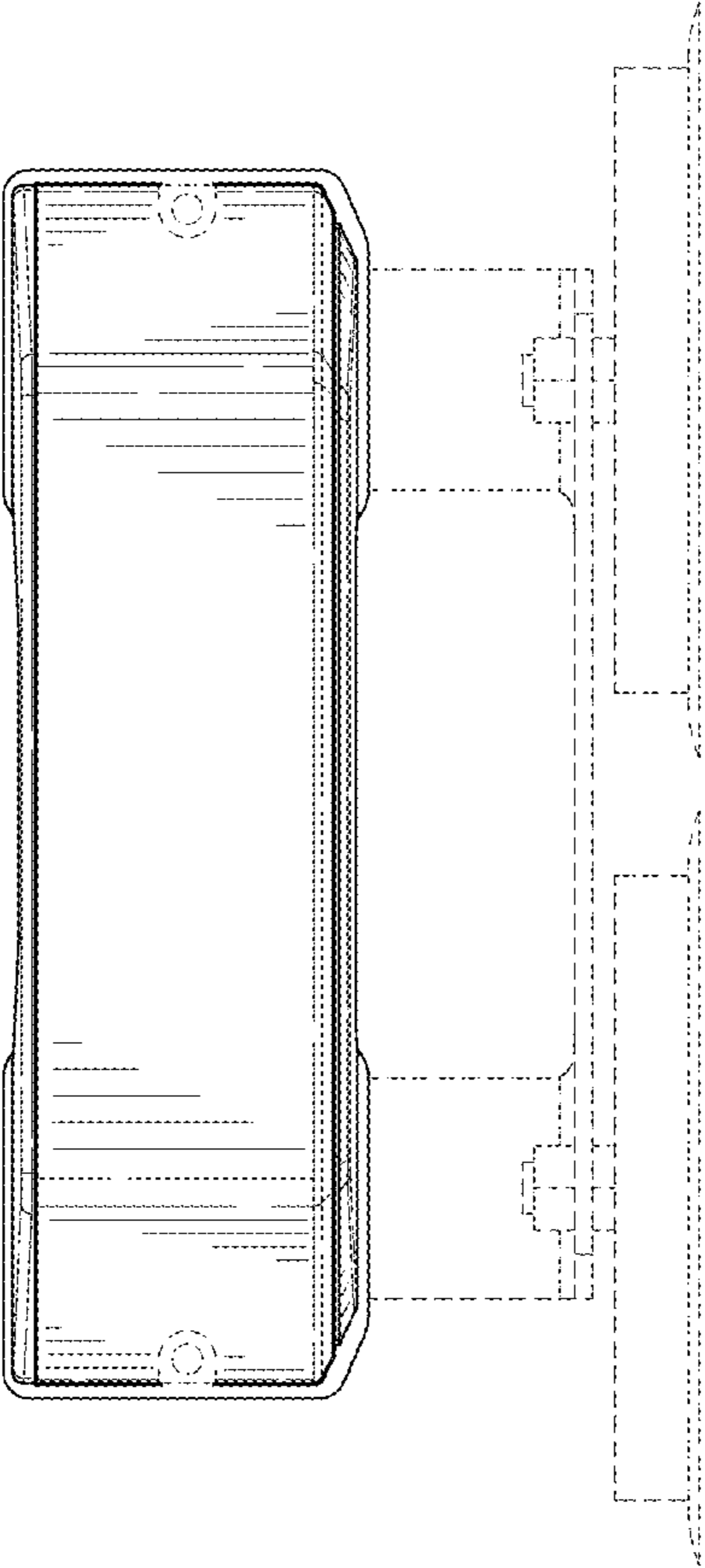


FIG. 6

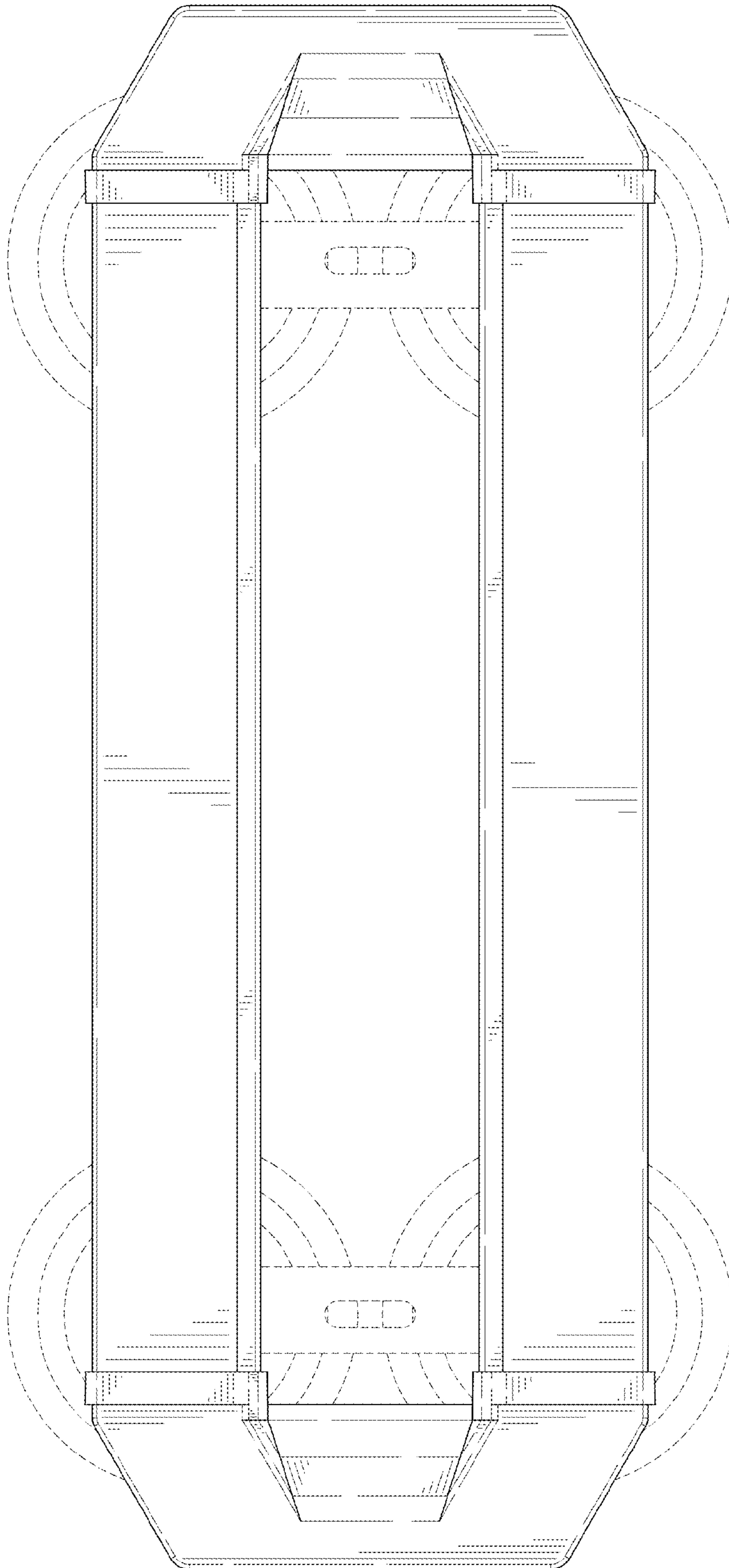


FIG. 7

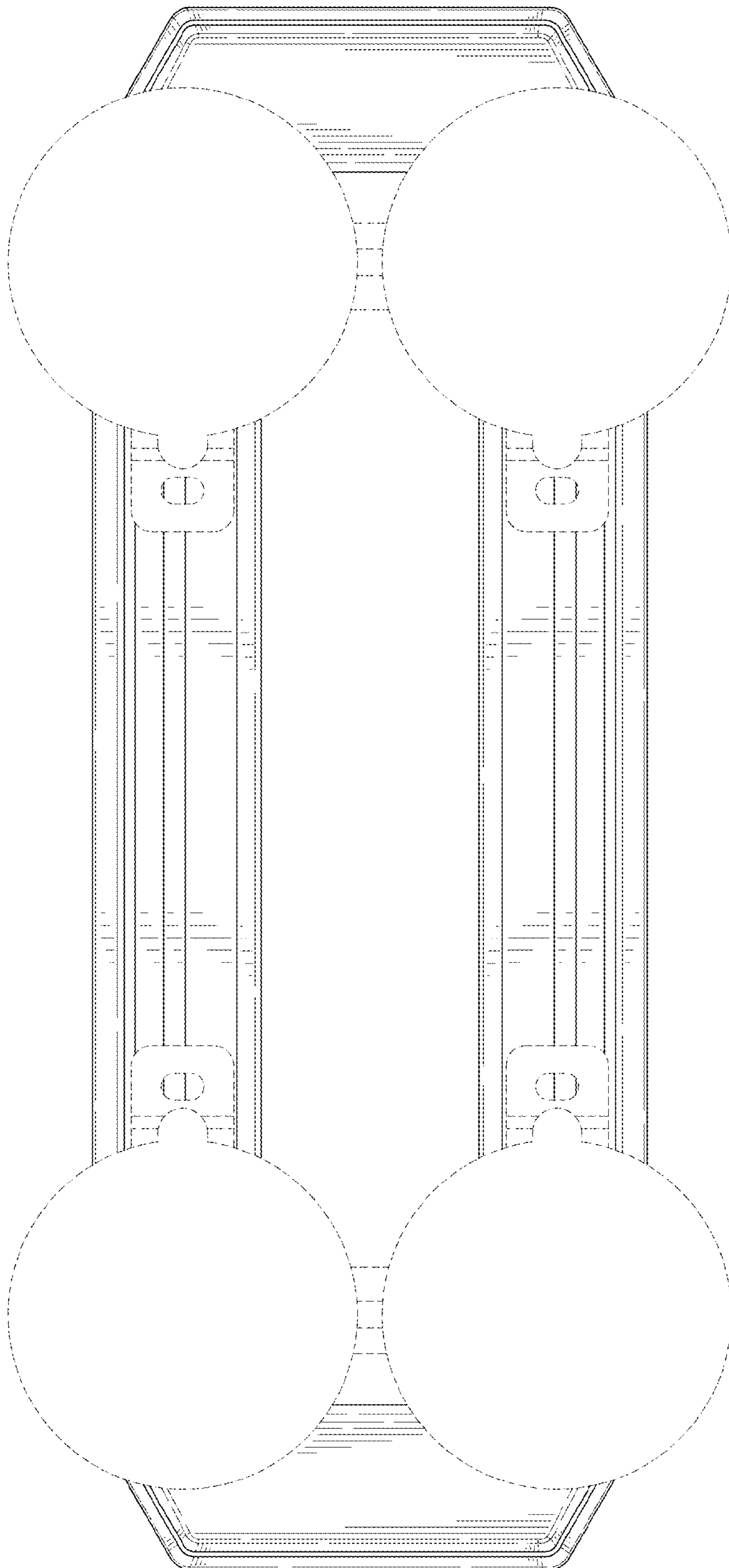


FIG. 8