



US00D987154S

(12) **United States Design Patent**
Chen

(10) **Patent No.:** **US D987,154 S**

(45) **Date of Patent:** **** May 23, 2023**

(54) **GARDEN LAMP**

(71) Applicant: **Ling Chen**, Hunan (CN)

(72) Inventor: **Ling Chen**, Hunan (CN)

(**) Term: **15 Years**

(21) Appl. No.: **29/765,691**

(22) Filed: **Jan. 11, 2021**

(30) **Foreign Application Priority Data**

Aug. 13, 2020 (EM) 008110837

(51) **LOC (14) Cl.** **26-05**

(52) **U.S. Cl.**
USPC **D26/69; D21/458**

(58) **Field of Classification Search**
USPC D26/25, 63, 67-73, 94; D21/458
CPC F21S 8/081; F21S 8/083; F21S 9/03; F21S
9/032; F21S 9/035; F21V 21/0824; F21W
2111/02; F21W 2111/023; F21W
2131/109

See application file for complete search history.

(56) **References Cited**

U.S. PATENT DOCUMENTS

- 2,495,365 A * 1/1950 Cohn A63H 5/00
446/213
- 2,857,507 A * 10/1958 Stec F21V 23/00
362/232
- 4,582,497 A * 4/1986 Lyons A63H 33/40
D21/458
- 5,083,963 A * 1/1992 Lin A63H 33/40
446/217
- 5,183,224 A * 2/1993 Harburg A63H 27/082
244/155 R
- 5,749,765 A * 5/1998 Stopperan A63H 33/40
446/217
- D441,316 S * 5/2001 Burghoffer D11/184

- 6,530,816 B1 * 3/2003 Chiu A63H 33/40
446/217
- 6,575,585 B2 * 6/2003 Nelson F21V 33/008
362/276
- D659,273 S * 5/2012 Biancuzzo D26/67
(Continued)

OTHER PUBLICATIONS

Weiho, Windmill Solar Lawn Light. First available Apr. 24, 2021. Searched on Jan. 11, 2023. [https://www.amazon.com/Street-Windmill-Waterproof-Decoration-Courtyards/dp/B093D184P7/] (Year: 2021).*
(Continued)

Primary Examiner — W. A. Teddy Falloway
Assistant Examiner — Melissa Adriane Santos
(74) *Attorney, Agent, or Firm* — Jeenam Park

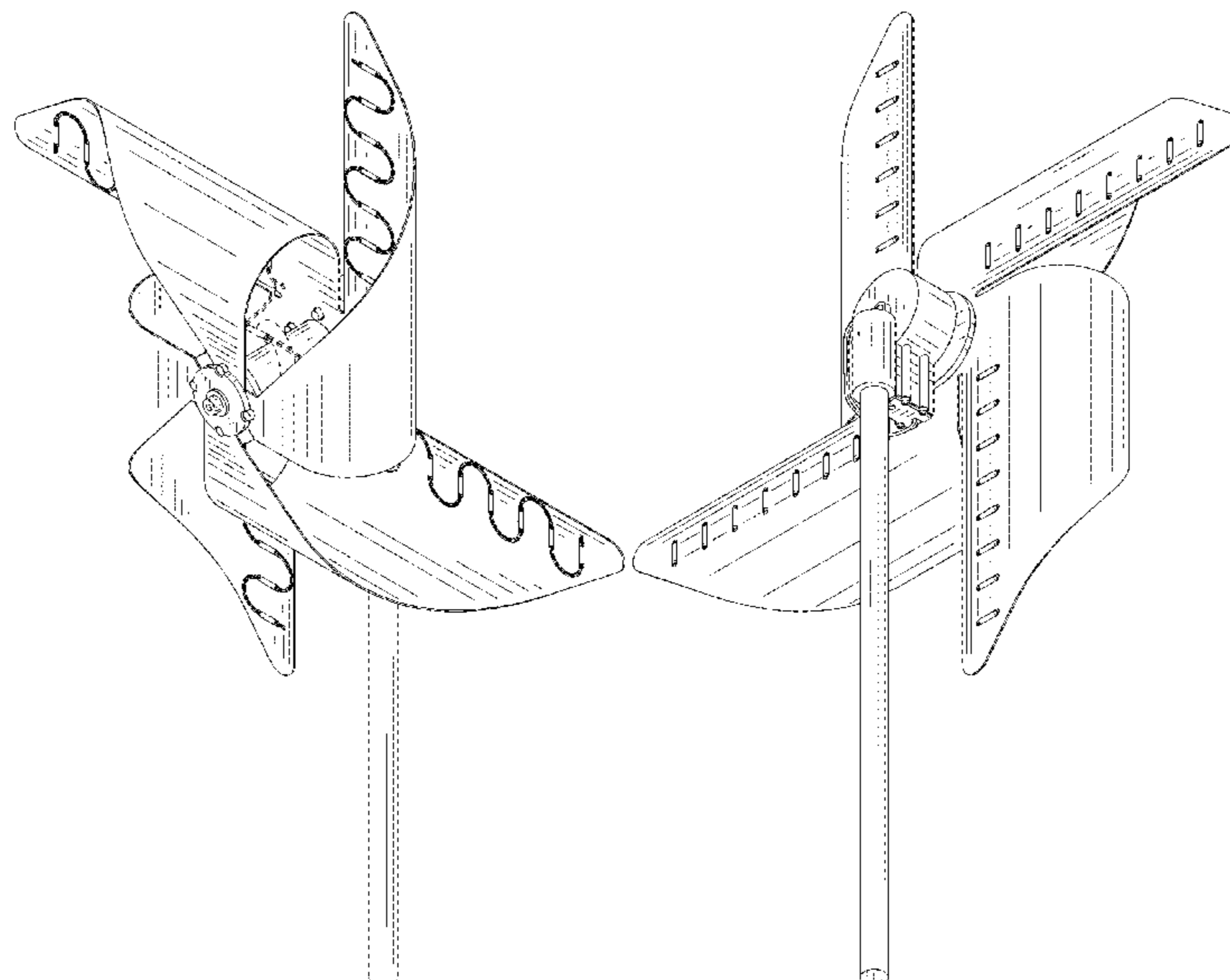
(57) **CLAIM**

The ornamental design for a garden lamp, as shown and described.

DESCRIPTION

FIG. 1 is a front, right, and top perspective view of a garden lamp, showing my design.
FIG. 2 is a rear, left, and bottom perspective view thereof.
FIG. 3 is a front elevation view thereof.
FIG. 4 is a rear elevation view thereof.
FIG. 5 is a left side elevation view thereof.
FIG. 6 is a right side elevation view thereof.
FIG. 7 is a top plan view thereof.
FIG. 8 is a bottom plan view thereof; and,
FIG. 9 is an enlarged view of a blade holder labeled 9 in FIG. 3.
The dash-dash broken lines in the figures illustrate portions of the garden lamp. The dash-dot broken-line circle and lead line in FIGS. 3 and 9, which illustrate the boundary of the enlarged view, represents a detail call-out. The broken lines form no part of the claimed design.

1 Claim, 9 Drawing Sheets



(56)

References Cited

U.S. PATENT DOCUMENTS

8,753,168 B2 * 6/2014 Kessler A63H 33/22
446/217
9,148,996 B2 * 10/2015 Qiu F21V 21/0824
D854,625 S * 7/2019 Hendrickson-Santospago
D21/458
D971,073 S * 11/2022 Kitchen D26/94
D974,222 S * 1/2023 Lu D11/131
D974,226 S * 1/2023 Lu D11/131
2013/0252507 A1 * 9/2013 Kessler A63H 33/22
446/217

OTHER PUBLICATIONS

Sl dhfe, Solar Windmill Landscape Light. First available May 10, 2021. Searched on Jan. 11, 2023. [<https://www.amazon.com/SLDHFE-Rotating-Windmill-Landscape-Direction/dp/B094JLQMMK/>] (Year: 2021).*

JDKC, Solar Wind Spinner with Garden Stake. First available Apr. 5, 2021. Searched on Jan. 11, 2023. [<https://www.amazon.ae/Spinner-Changing-Landscape-Lighting-Spinning/dp/B091PFXHB3>] (Year: 2021).*

* cited by examiner

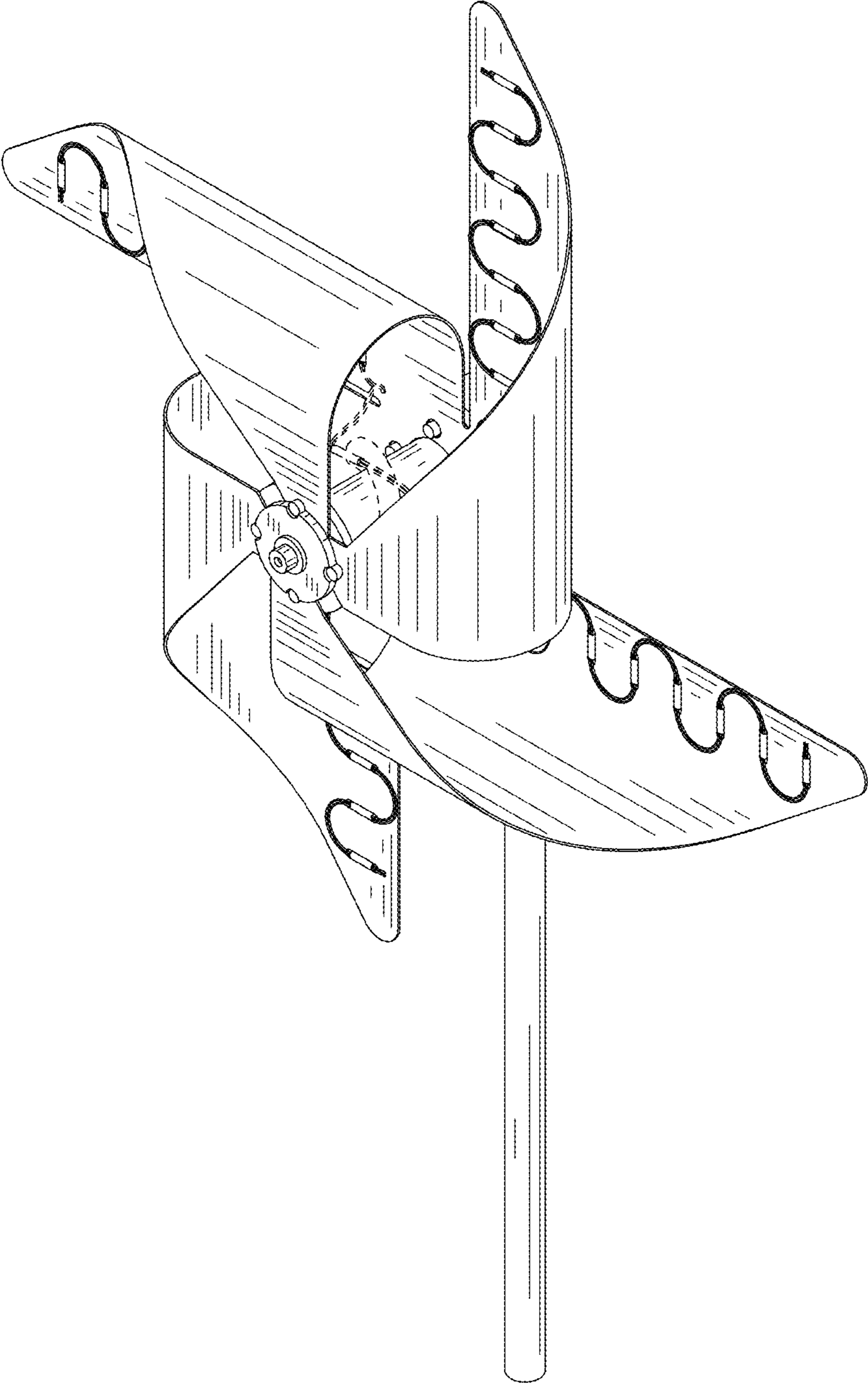


FIG. 1

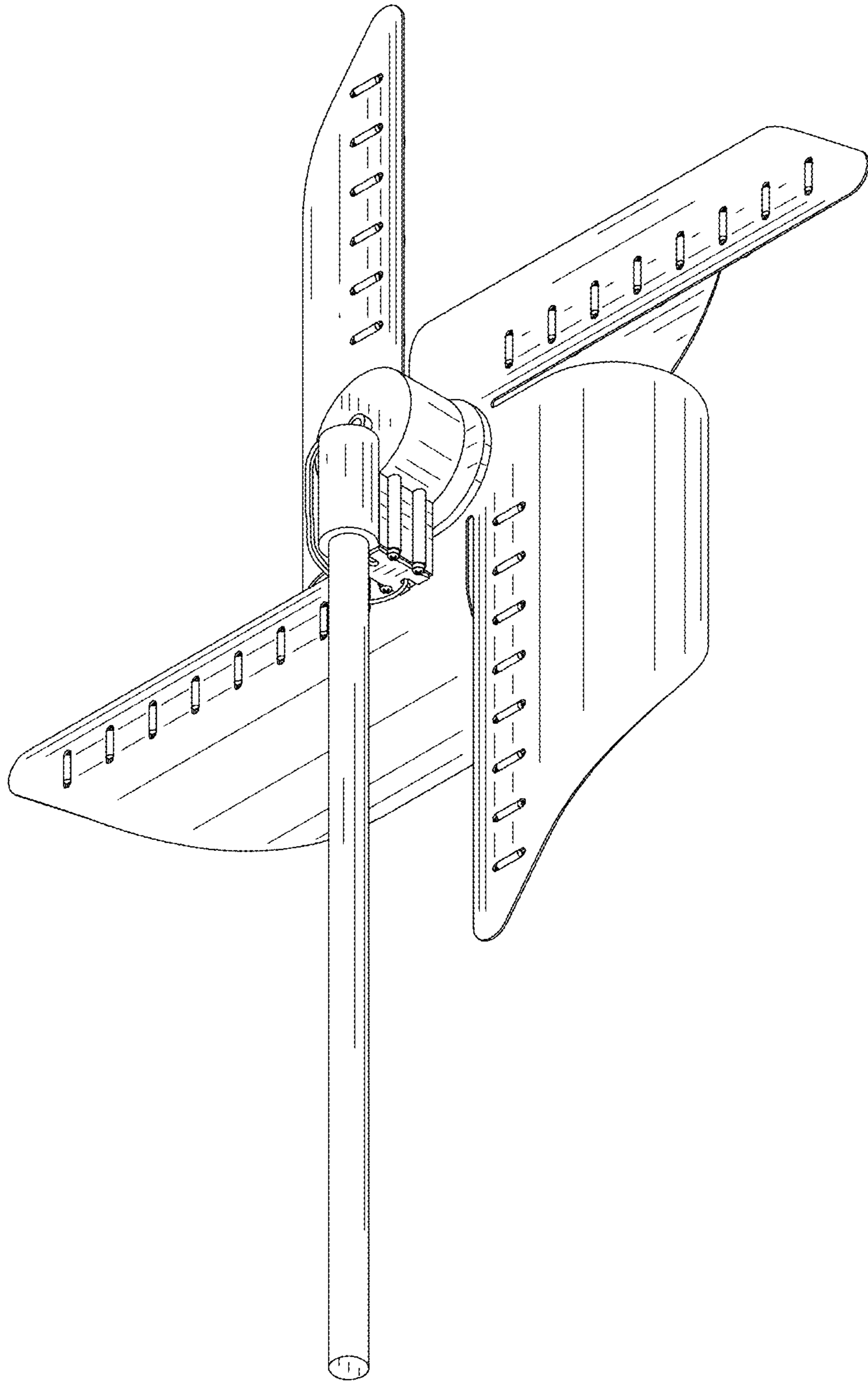


FIG. 2

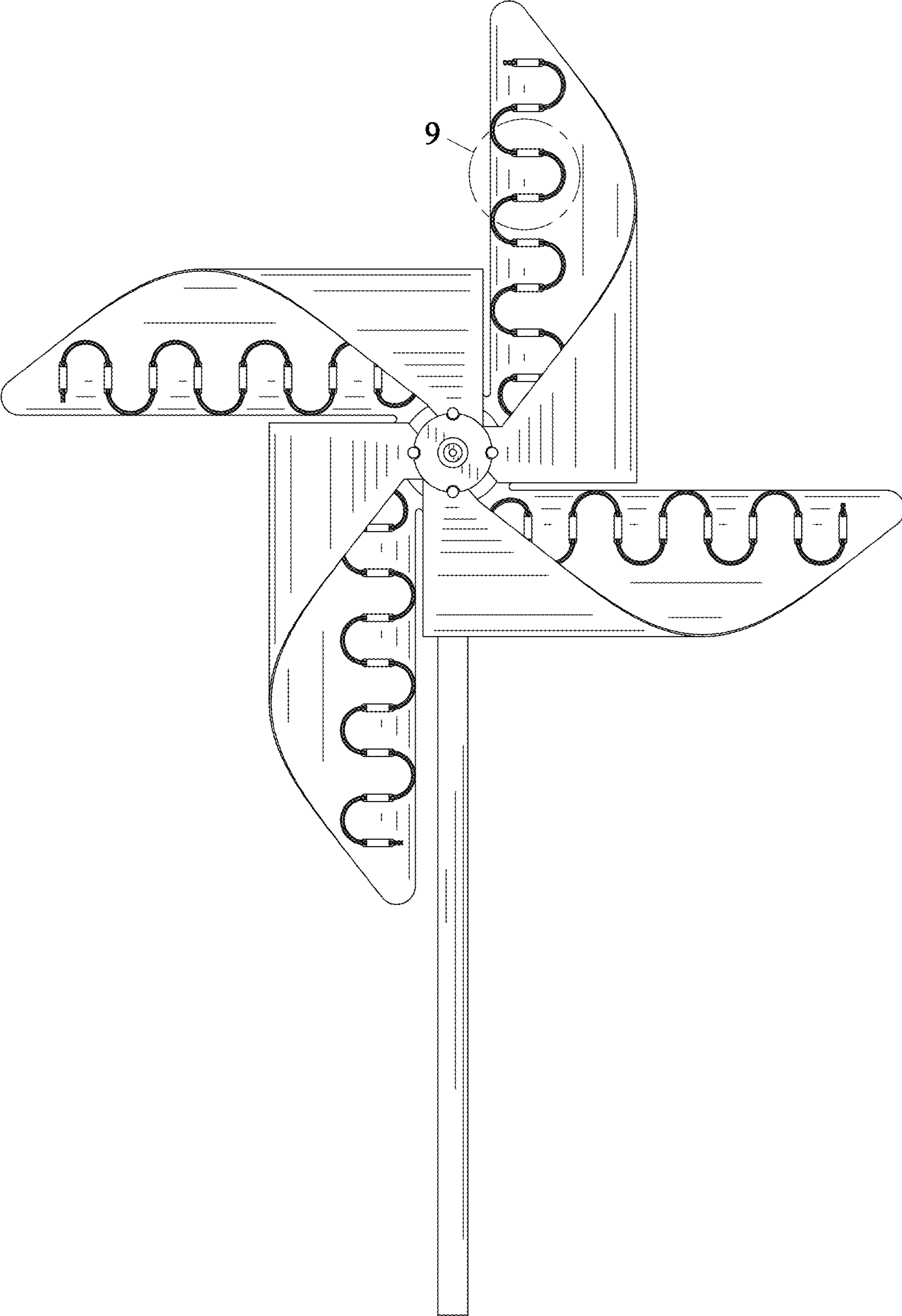


FIG. 3

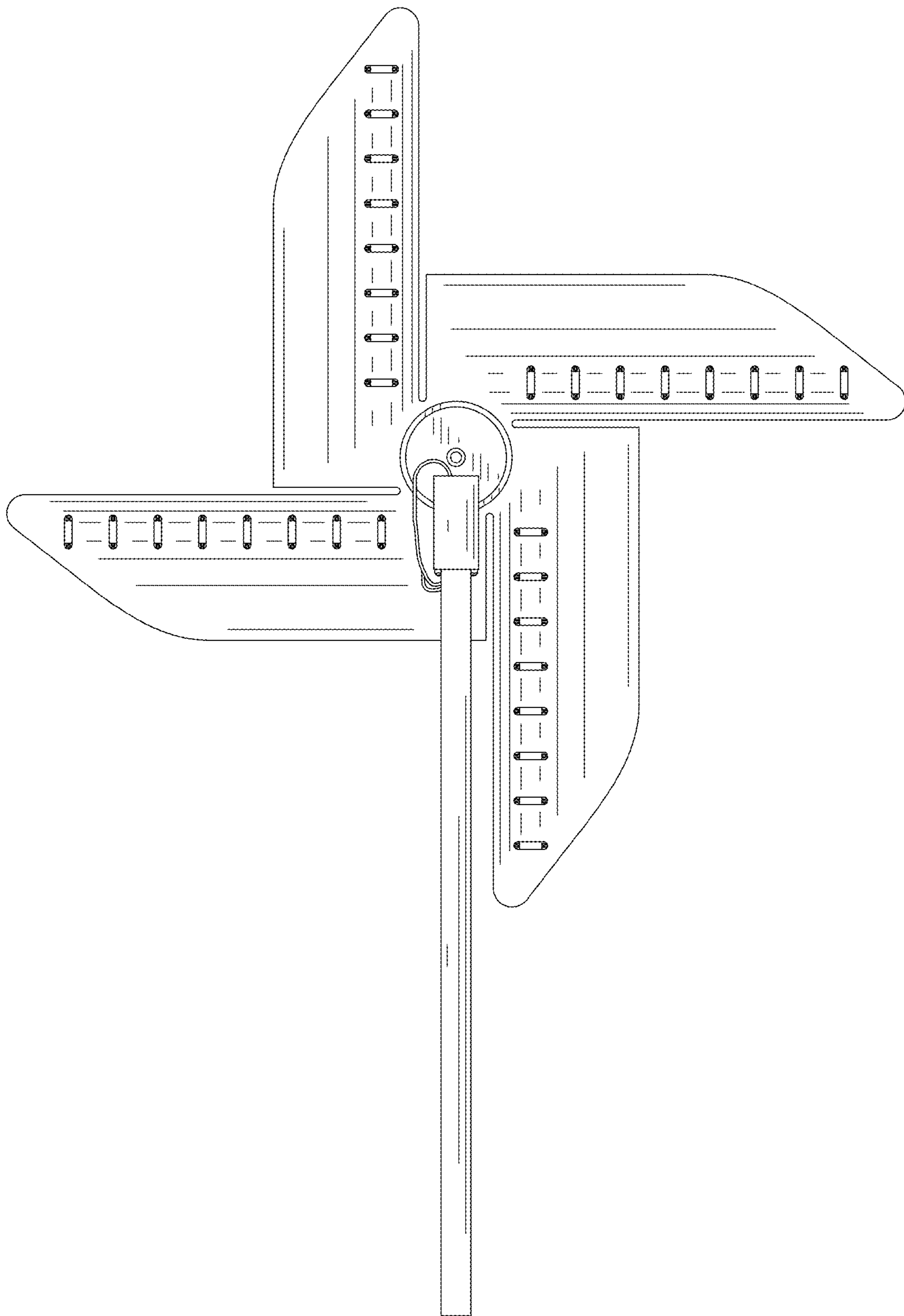


FIG. 4

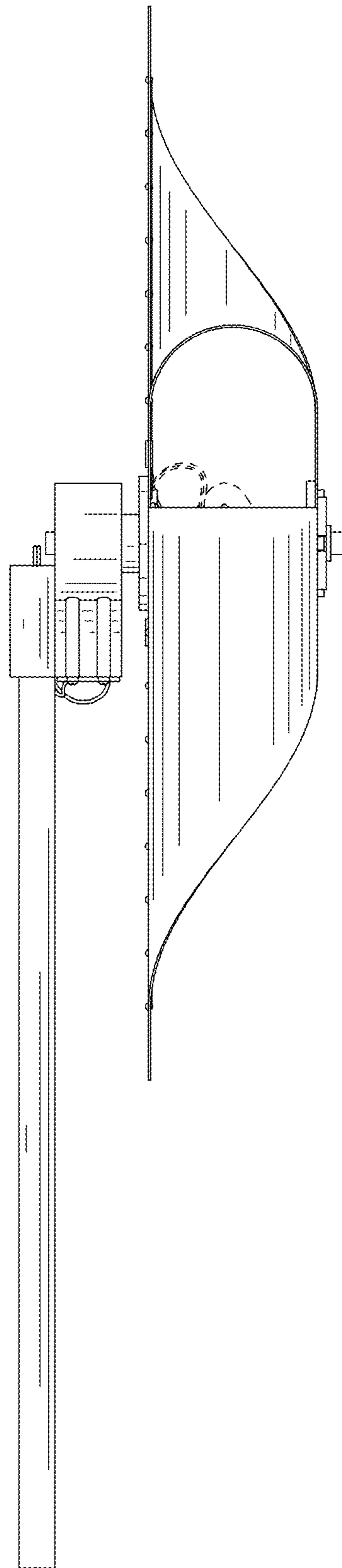


FIG. 5

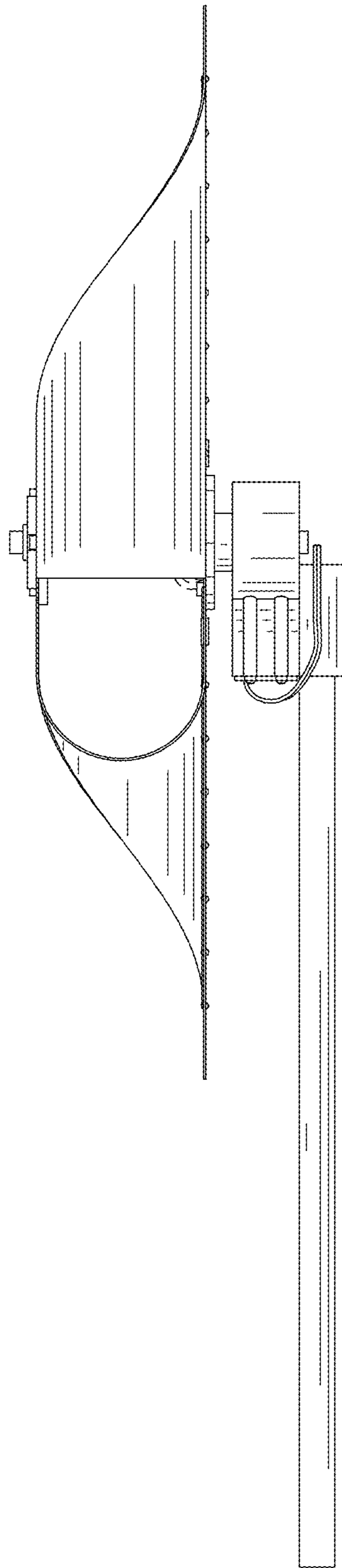


FIG. 6

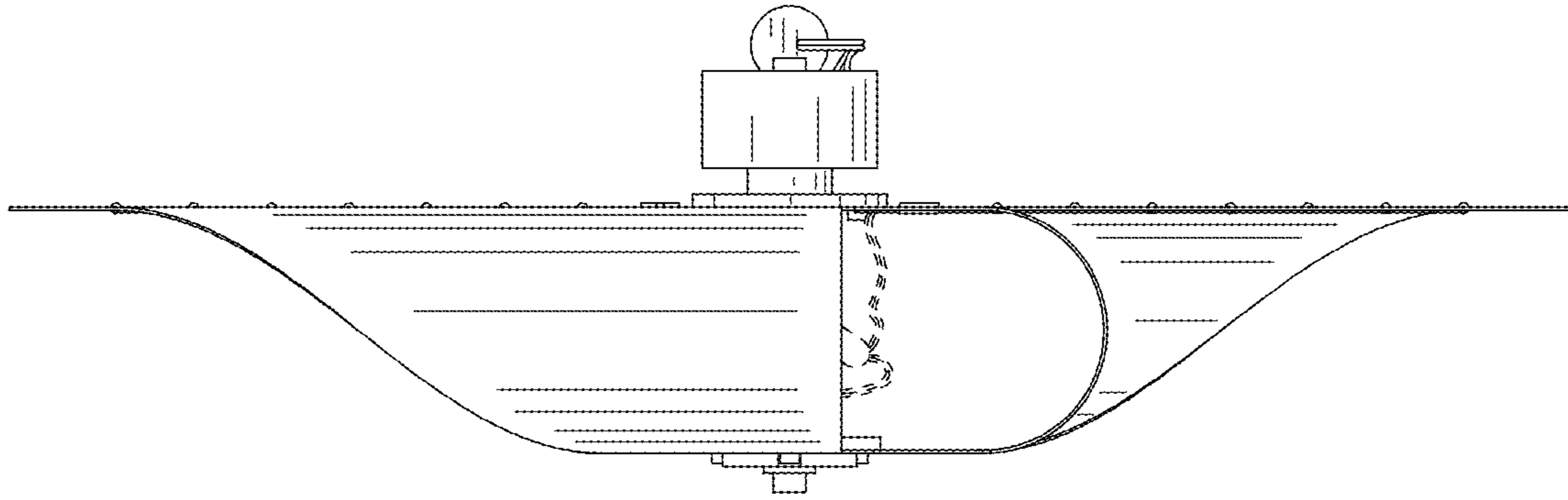


FIG. 7

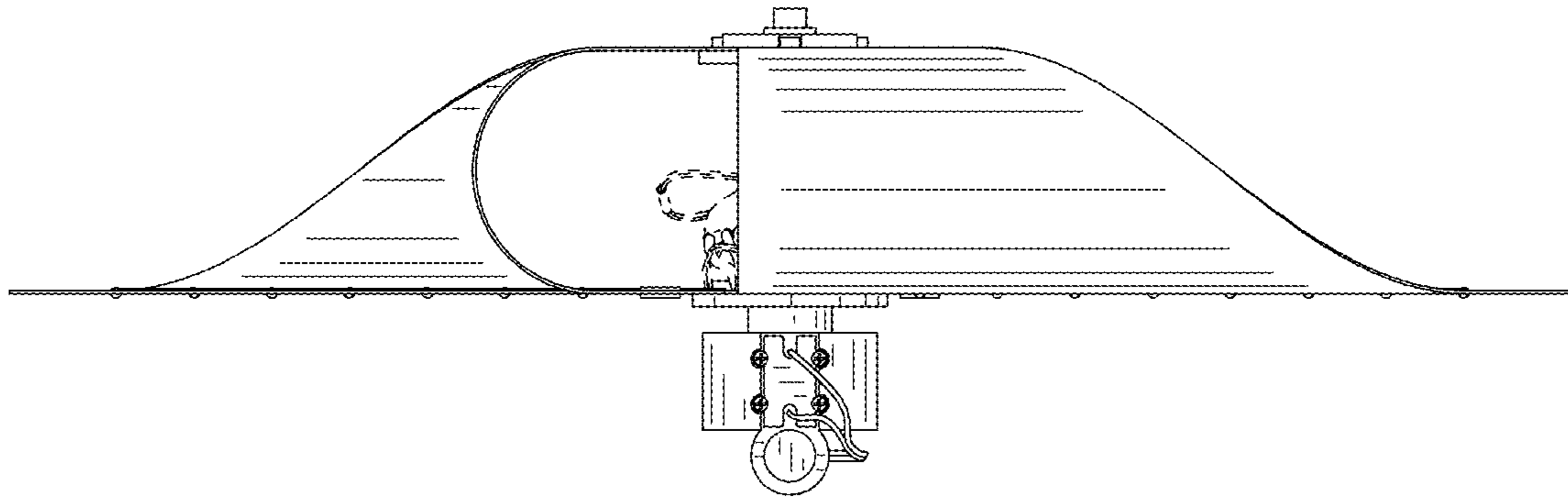


FIG. 8

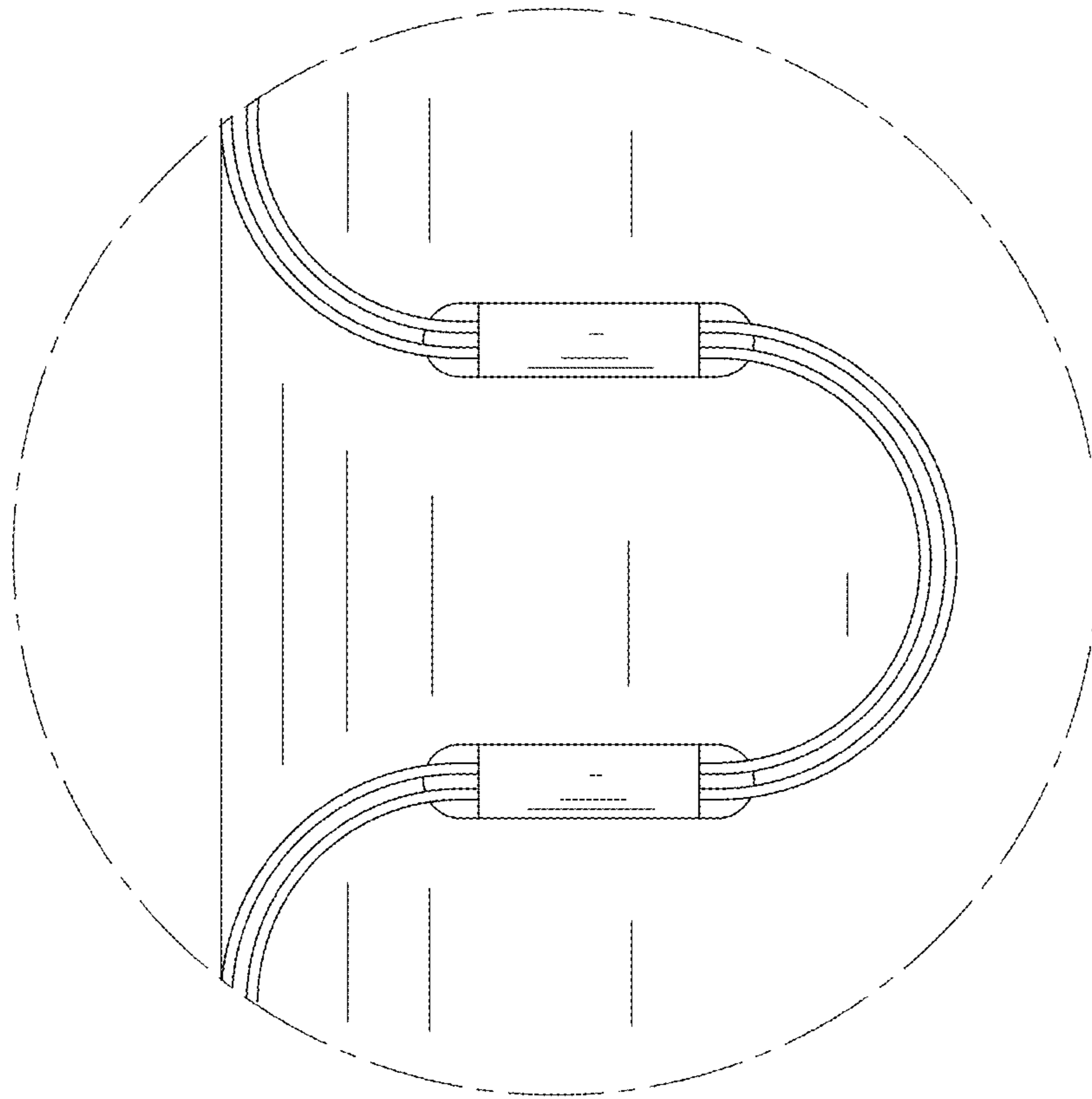


FIG. 9