



US00D987152S

(12) **United States Design Patent**
Pan

(10) **Patent No.:** **US D987,152 S**

(45) **Date of Patent:** **** May 23, 2023**

(54) **ELECTRIC ROTATING PROJECTOR LAMP**

(71) Applicant: **Yuan Pan**, Guangdong (CN)

(72) Inventor: **Yuan Pan**, Guangdong (CN)

(**) Term: **15 Years**

(21) Appl. No.: **29/885,329**

(22) Filed: **Feb. 23, 2023**

(51) **LOC (14) Cl.** **26-03**

(52) **U.S. Cl.**

USPC **D26/67**

(58) **Field of Classification Search**

USPC D26/60, 61, 63, 67, 68, 93, 94, 110, 113,
D26/118, 119, 120, 121, 122, 128, 138,
D26/140, 141, 142, 156

CPC F21S 2/00; F21S 4/00; F21S 4/003; F21S
4/005; F21S 4/006; F21S 4/007; F21S
4/008; F21S 6/00; F21S 8/00; F21S
8/024; F21S 8/026; F21S 8/031; F21S
8/033; F21S 8/035-037; F21S 8/04; F21S
8/043; F21S 8/063

See application file for complete search history.

(56) **References Cited**

U.S. PATENT DOCUMENTS

D261,116 S	*	10/1981	Repak	D10/113.2
D268,604 S	*	4/1983	Chase	D21/455
D639,988 S	*	6/2011	Chen	D26/68
D776,203 S	*	1/2017	Zuloff	D21/398
D827,899 S	*	9/2018	Li	D10/114.2
D828,603 S	*	9/2018	Recker	D26/68
D861,967 S		10/2019	Lin		
D873,460 S	*	1/2020	Chen	D26/94

D882,853 S	*	4/2020	Zhou	D26/67
D909,660 S	*	2/2021	Ji	D26/94
D917,738 S	*	4/2021	Zuo	D26/6
D937,469 S	*	11/2021	Chen	D26/94
D942,409 S	*	2/2022	Hsu	D14/204
D942,411 S	*	2/2022	Hsu	D14/204
D946,192 S	*	3/2022	Hsu	D26/67
D954,335 S	*	6/2022	Zhong	D26/94
D967,504 S		10/2022	Geng		
D968,011 S	*	10/2022	Liu	D26/94
D969,378 S	*	11/2022	Jiang	D26/67
D969,379 S	*	11/2022	Wang	D26/67
D975,901 S	*	1/2023	Tang	D26/67

* cited by examiner

Primary Examiner — Natasha Vujcic

(74) *Attorney, Agent, or Firm* — Kunzler Bean & Adamson, PC; Michael Bartholomew

(57) **CLAIM**

I claim, the ornamental design for an electric rotating projector lamp, as shown and described.

DESCRIPTION

FIG. 1 is a front, right and top perspective view of an electric rotating projector lamp, showing my design.

FIG. 2 is a rear, left and bottom perspective view thereof.

FIG. 3 is a front elevation view thereof.

FIG. 4 is a rear elevation view thereof.

FIG. 5 is a left side elevation view thereof.

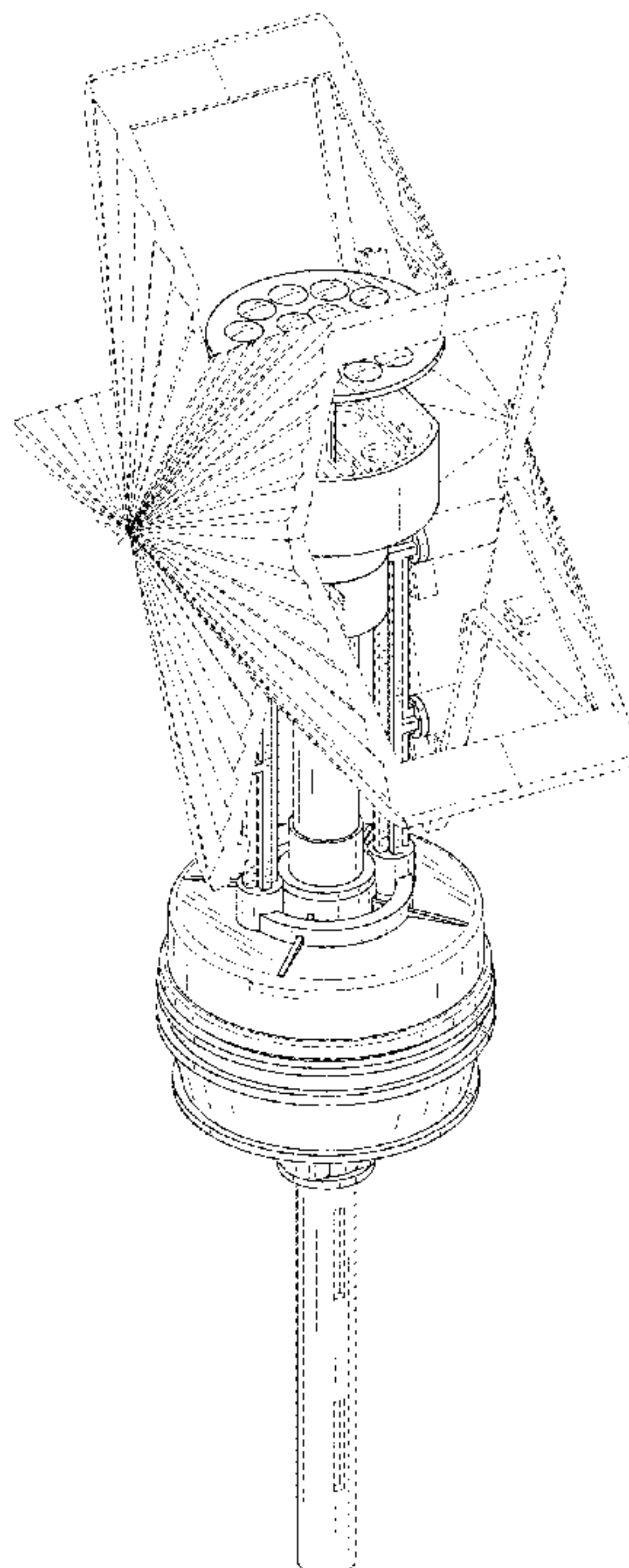
FIG. 6 is a right side elevation view thereof.

FIG. 7 is a top plan view thereof; and,

FIG. 8 is a bottom plan view thereof.

The broken lines depict portions of the electric rotating projector lamp that form no part of the claimed design.

1 Claim, 8 Drawing Sheets



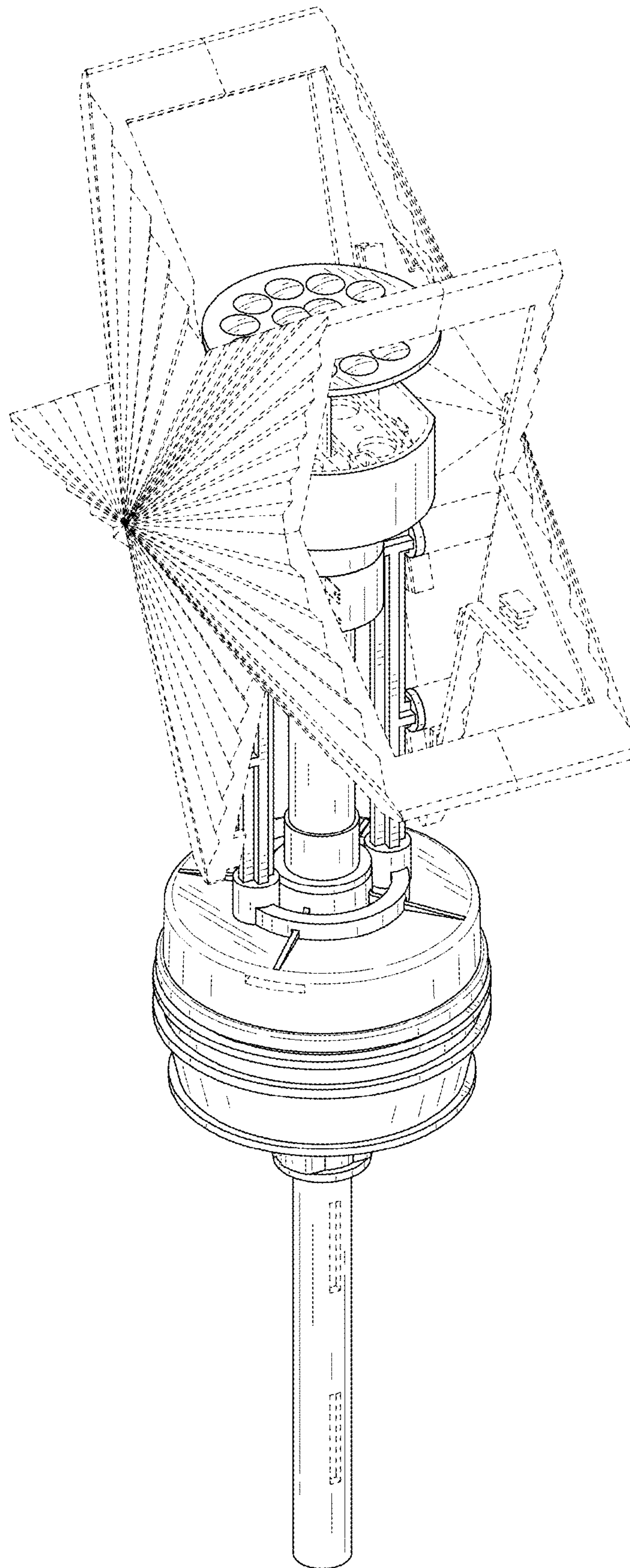


FIG. 1

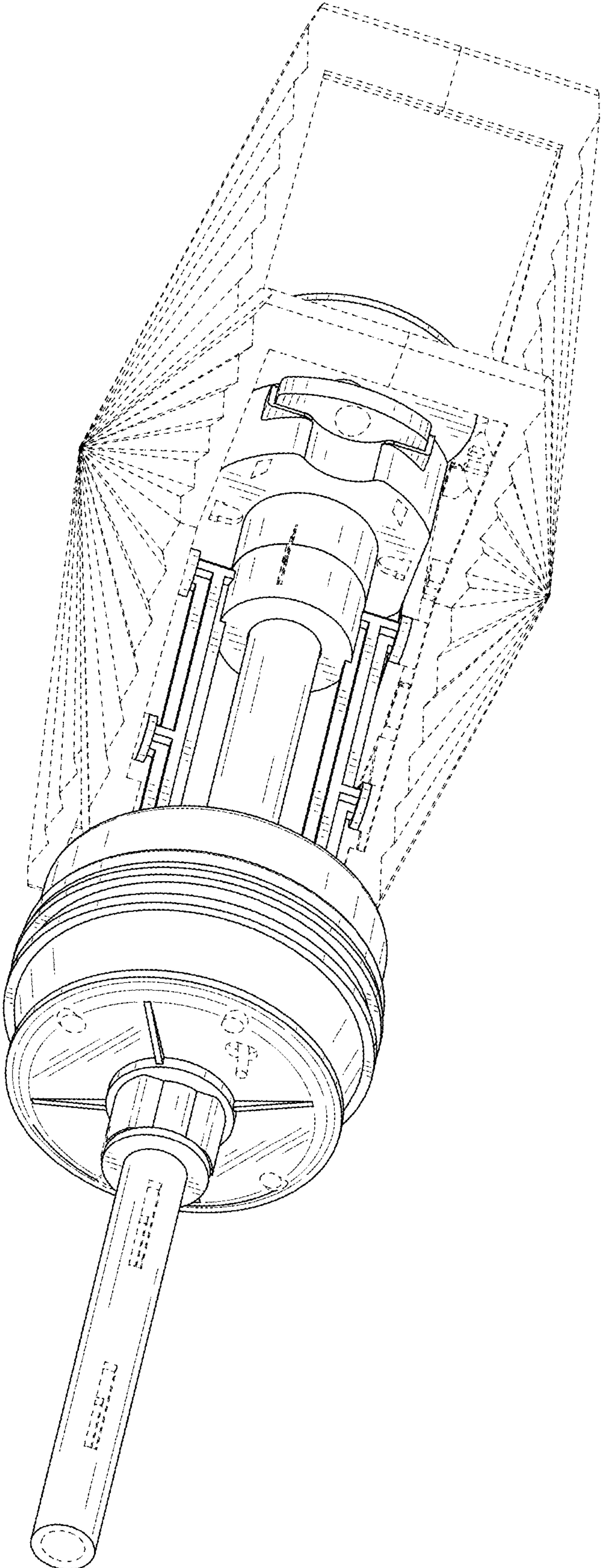


FIG. 2

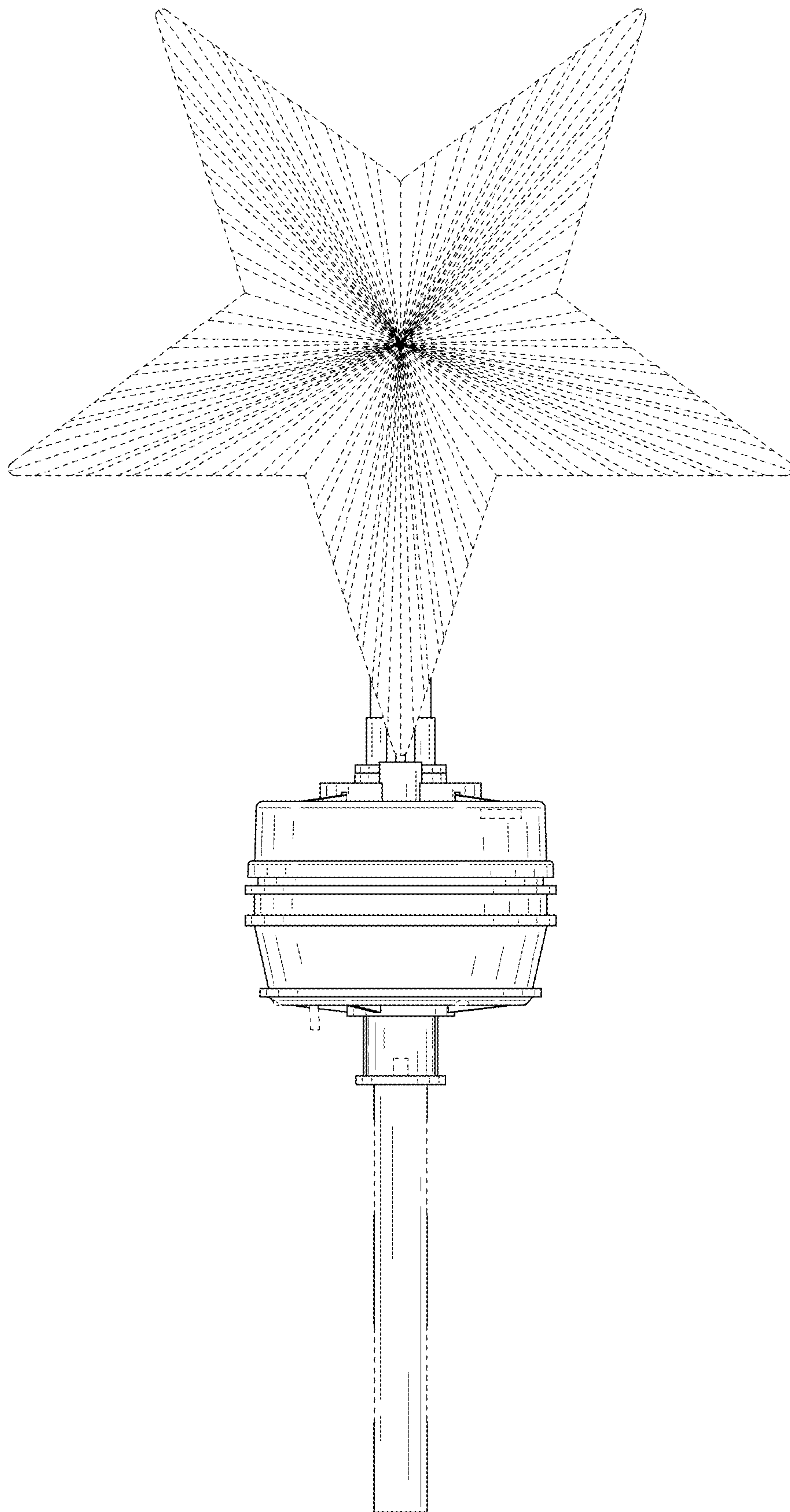


FIG. 3

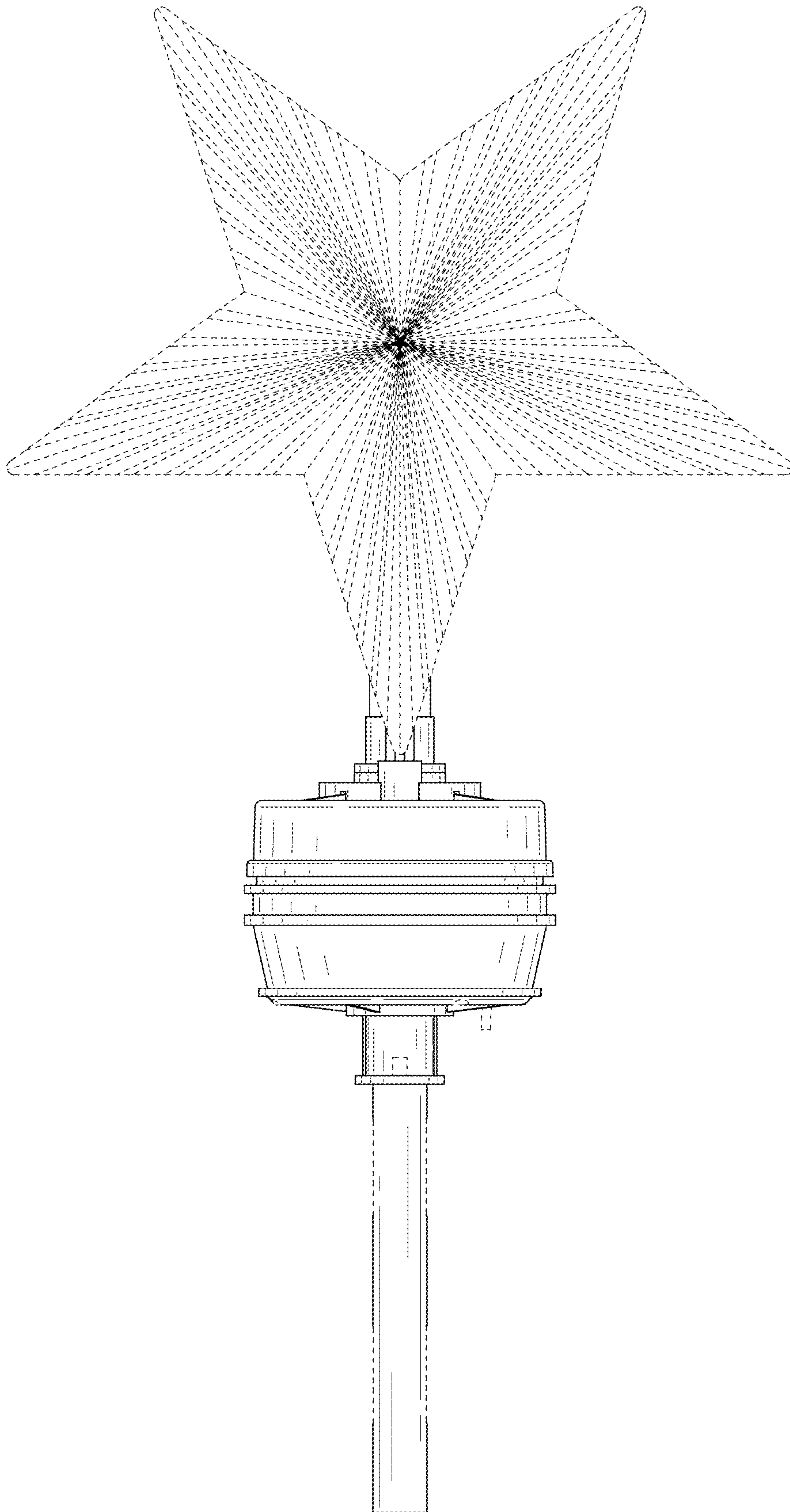


FIG. 4

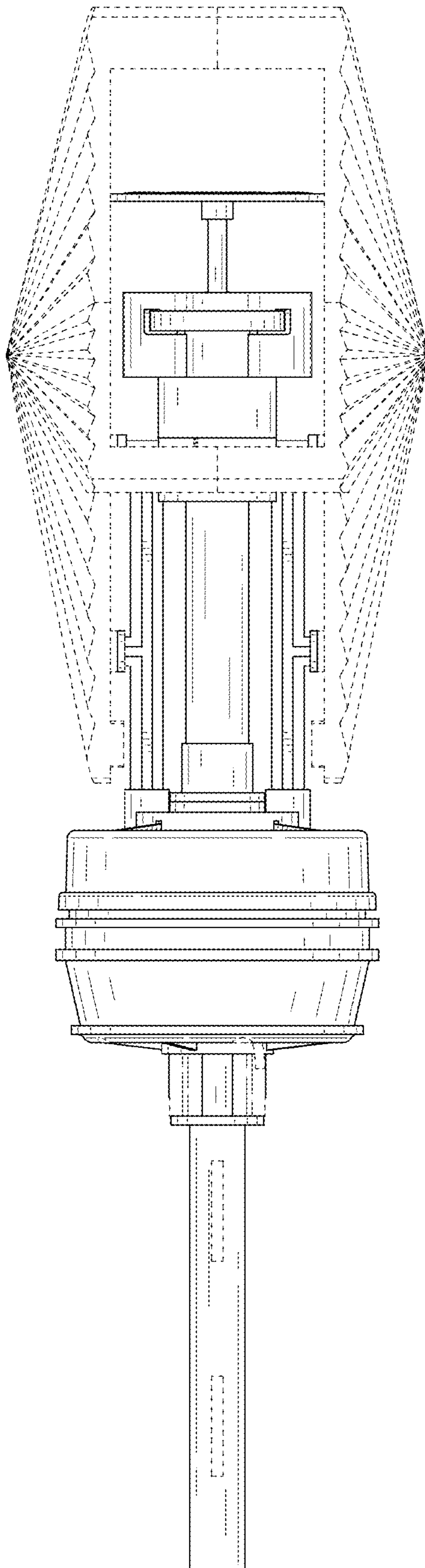


FIG. 5

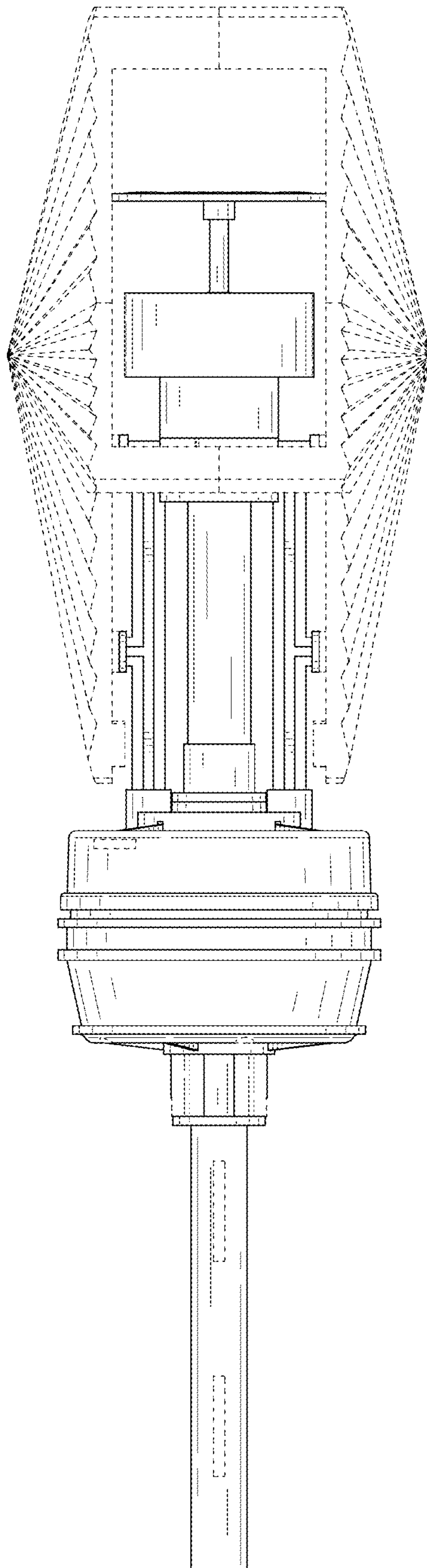


FIG. 6

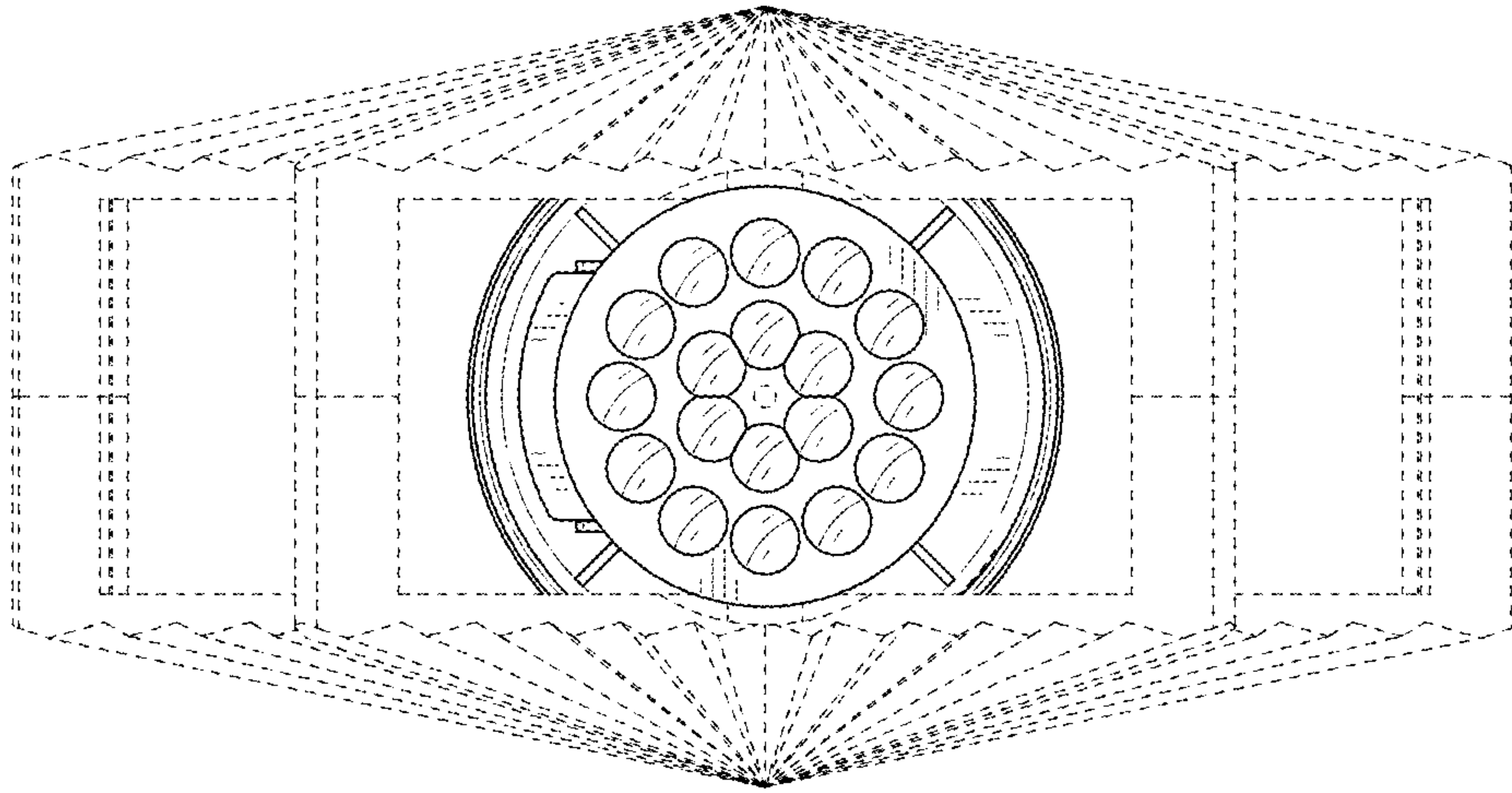


FIG. 7

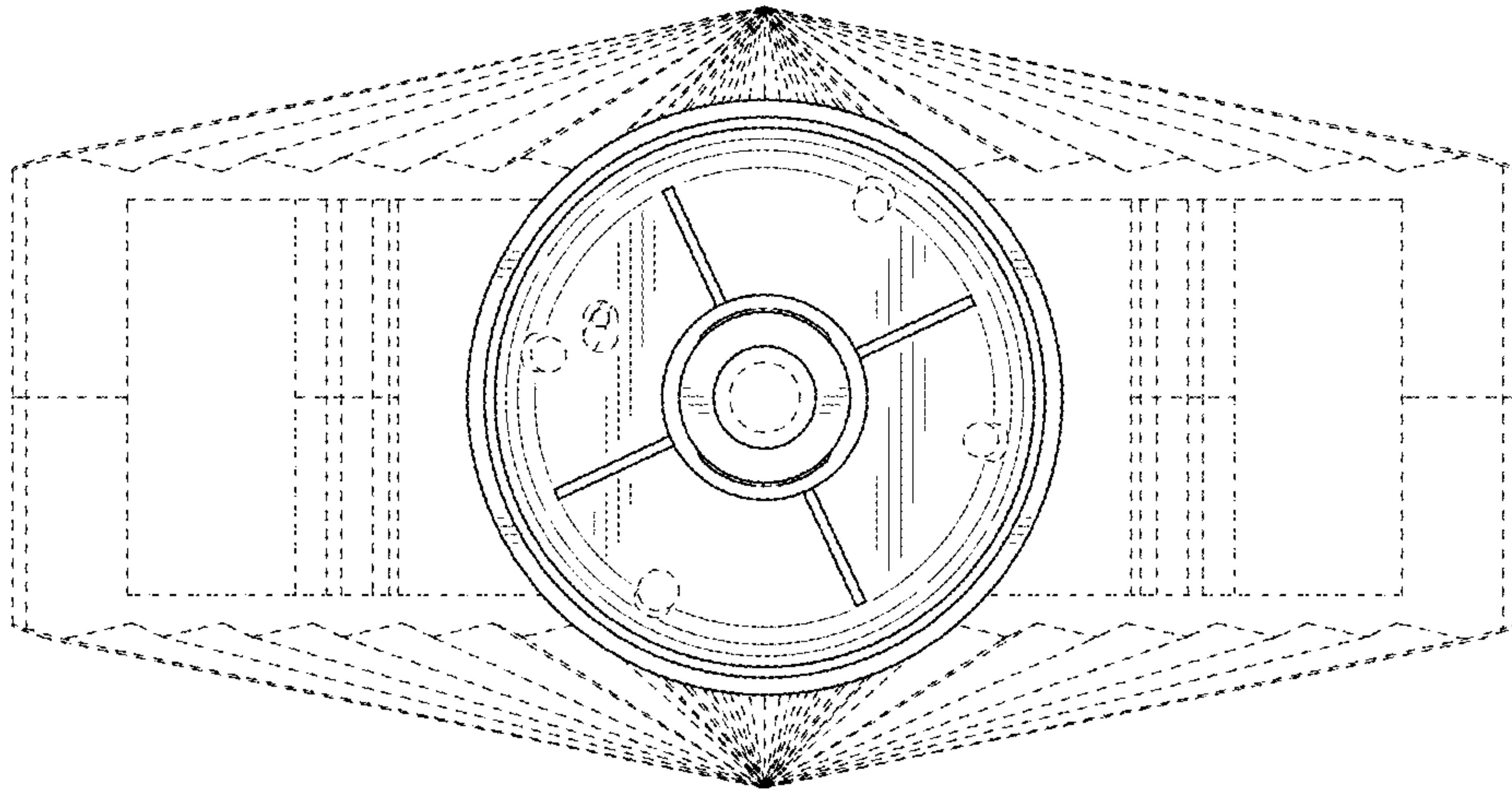


FIG. 8