



US00D987150S

(12) **United States Design Patent** (10) **Patent No.:** **US D987,150 S**  
**Li** (45) **Date of Patent:** **\*\* May 23, 2023**

(54) **SOLAR LIGHT**

(71) Applicant: **Shenzhen YuWenAn Trading Co., Ltd.**, Shenzhen (CN)

(72) Inventor: **Sixia Li**, Shenzhen (CN)

(73) Assignee: **Shenzhen YuWenAn Trading Co., Ltd.**, Shenzhen (CN)

(\*\*) Term: **15 Years**

(21) Appl. No.: **29/862,049**

(22) Filed: **Dec. 6, 2022**

(30) **Foreign Application Priority Data**

Nov. 10, 2022 (CN) ..... 202230749982.X

(51) **LOC (14) Cl.** ..... **26-05**

(52) **U.S. Cl.**  
USPC ..... **D26/85**; D26/63

(58) **Field of Classification Search**  
USPC ..... D26/61, 63, 65, 72, 85  
CPC ..... F21S 8/00; F21S 8/006; F21S 8/03; F21S 8/033; F21S 9/03  
See application file for complete search history.

(56) **References Cited**

**U.S. PATENT DOCUMENTS**

D735,387 S	*	7/2015	Bao	.....	D26/63
D742,571 S	*	11/2015	Khayat	.....	D26/63
D802,813 S		11/2017	Li et al.		
D803,449 S	*	11/2017	Xu	.....	D26/63
D835,820 S	*	12/2018	Zhu	.....	D26/44
D841,219 S	*	2/2019	Chen	.....	D26/85
D847,398 S	*	4/2019	Chen	.....	D26/85
D864,458 S	*	10/2019	Liu	.....	D26/85
D870,342 S	*	12/2019	Xiao	.....	D26/71
D870,951 S	*	12/2019	Tan	.....	D26/85
D890,977 S	*	7/2020	Wu	.....	D26/85
D893,080 S	*	8/2020	Zhang	.....	D26/85
D897,587 S	*	9/2020	Liu	.....	D13/102

D914,261 S	*	3/2021	Ouyang	.....	D26/65
D926,348 S	*	7/2021	He	.....	D26/85
D934,479 S	*	10/2021	Liu	.....	D26/63
D949,450 S	*	4/2022	Zhang	.....	D26/63
D962,516 S		8/2022	Weddendorf et al.		

(Continued)

**FOREIGN PATENT DOCUMENTS**

CN	306498529	*	4/2021
CN	307426272	*	6/2022

**OTHER PUBLICATIONS**

“Solar Wall” reference by Bless4you on Amazon.com, date first available Feb. 2, 2021 [online], site visited Dec. 29, 2022, available from internet URL: <https://www.amazon.com/dp/B08VN961DB> (Year: 2021).\*

(Continued)

*Primary Examiner* — Richard Kearney  
*Assistant Examiner* — Liv C Anderson  
(74) *Attorney, Agent, or Firm* — ScienBiziP, P.C.

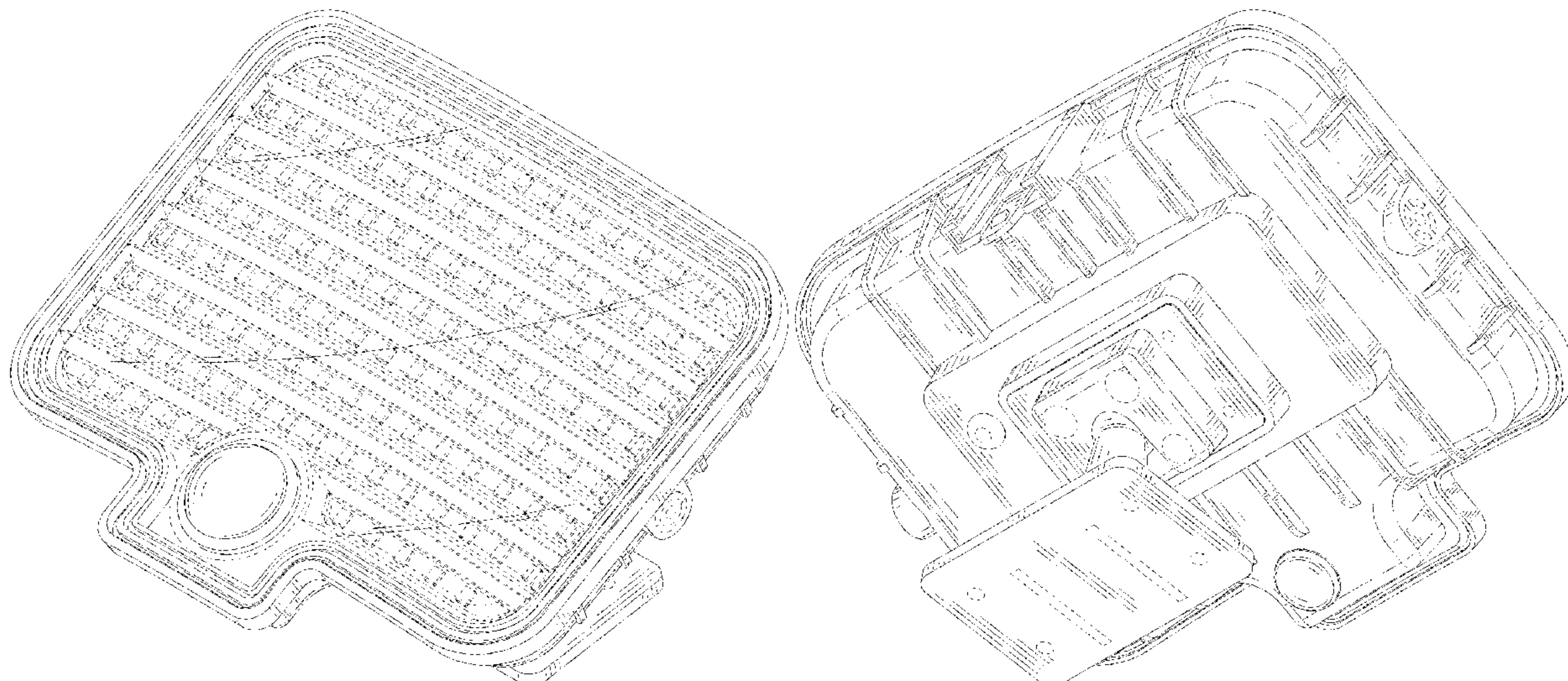
(57) **CLAIM**

The ornamental design for a solar light, as shown and described.

**DESCRIPTION**

FIG. 1 is a front, right and top perspective view of a solar light, showing my design.  
FIG. 2 is a rear, left and bottom perspective view thereof.  
FIG. 3 is a front elevation view thereof.  
FIG. 4 is a rear elevation view thereof.  
FIG. 5 is a left side elevation view thereof.  
FIG. 6 is a right side elevation view thereof.  
FIG. 7 is a top plan view thereof; and,  
FIG. 8 is a bottom plan view thereof.  
The broken lines depict portions of the solar light that form no part of the claimed design.

**1 Claim, 8 Drawing Sheets**



(56)

**References Cited**

U.S. PATENT DOCUMENTS

D965,191	S	*	9/2022	Hu	.....	D26/65
D970,769	S	*	11/2022	Wu	.....	D26/63
D975,330	S	*	1/2023	Kong	.....	D26/65
D975,898	S	*	1/2023	Wang	.....	D26/65
D977,169	S	*	1/2023	Kong	.....	D26/85

OTHER PUBLICATIONS

“Kernowo” reference by kernowo-qin on Amazon.com, date first available Feb. 2, 2022 [online], site visited Dec. 29, 2022, available from internet URL: <https://www.amazon.com/dp/B09TR5Z4LC/> (Year: 2022).\*

“MPJ” reference by CFUS Store on Amazon.com, date first available Jul. 11, 2022 [online], site visited Dec. 29, 2022, available from internet URL: <https://www.amazon.com/dp/B09LR51BJ9> (Year: 2022).\*

“BBG” reference by Hosuncn on Amazon.com, date first available Sep. 12, 2022 [online], site visited Dec. 29, 2022, available from internet URL: <https://www.amazon.com/dp/B0BDYM2C9P> (Year: 2022).\*

“Solar Lights Outdoor” reference by Anerbili on Amazon.com, date first available Sep. 29, 2022 [online], site visited Dec. 29, 2022, available from internet URL: <https://www.amazon.com/dp/B0BGRG773S/> (Year: 2022).\*

“Yolispa” reference by Xinnary2020 on Amazon.com, date first available Nov. 2, 2022 [online], site visited Dec. 29, 2022, available from internet URL: <https://www.amazon.com/Yolispa-Motion-105LEDs-Patios2-Outdoor/dp/B0BLTCL5S6> (Year: 2022).\*

\* cited by examiner



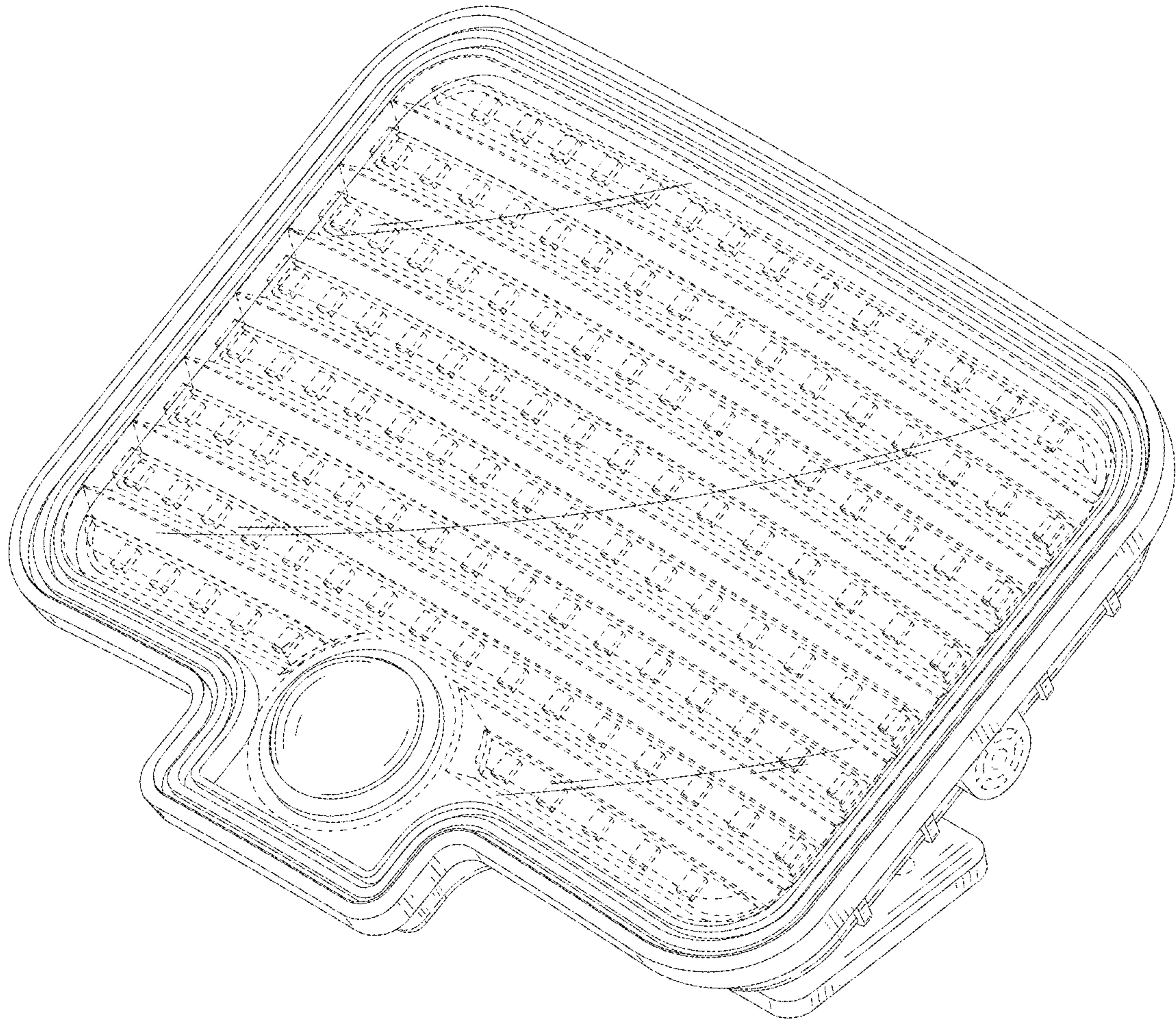


FIG. 1

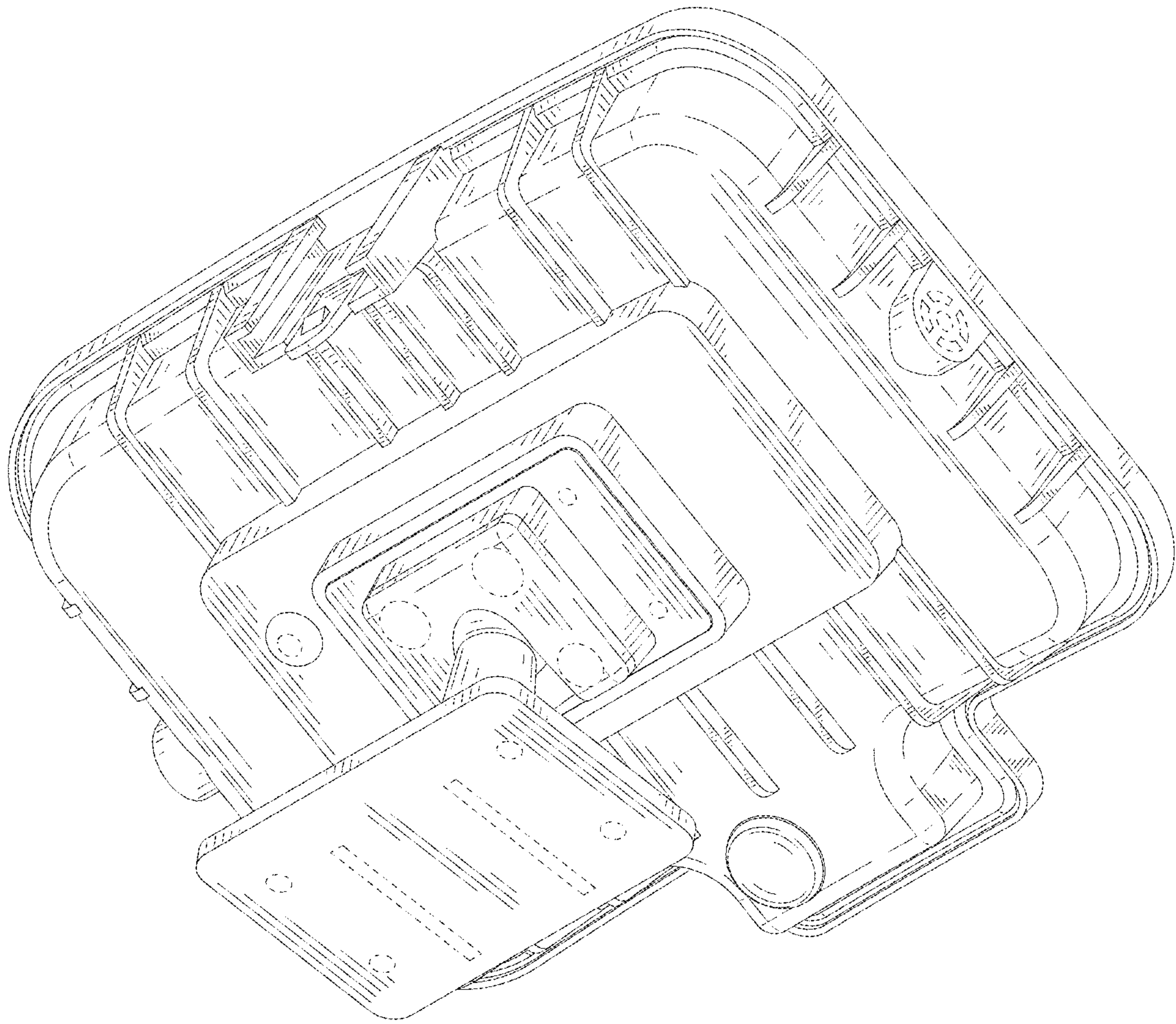


FIG. 2



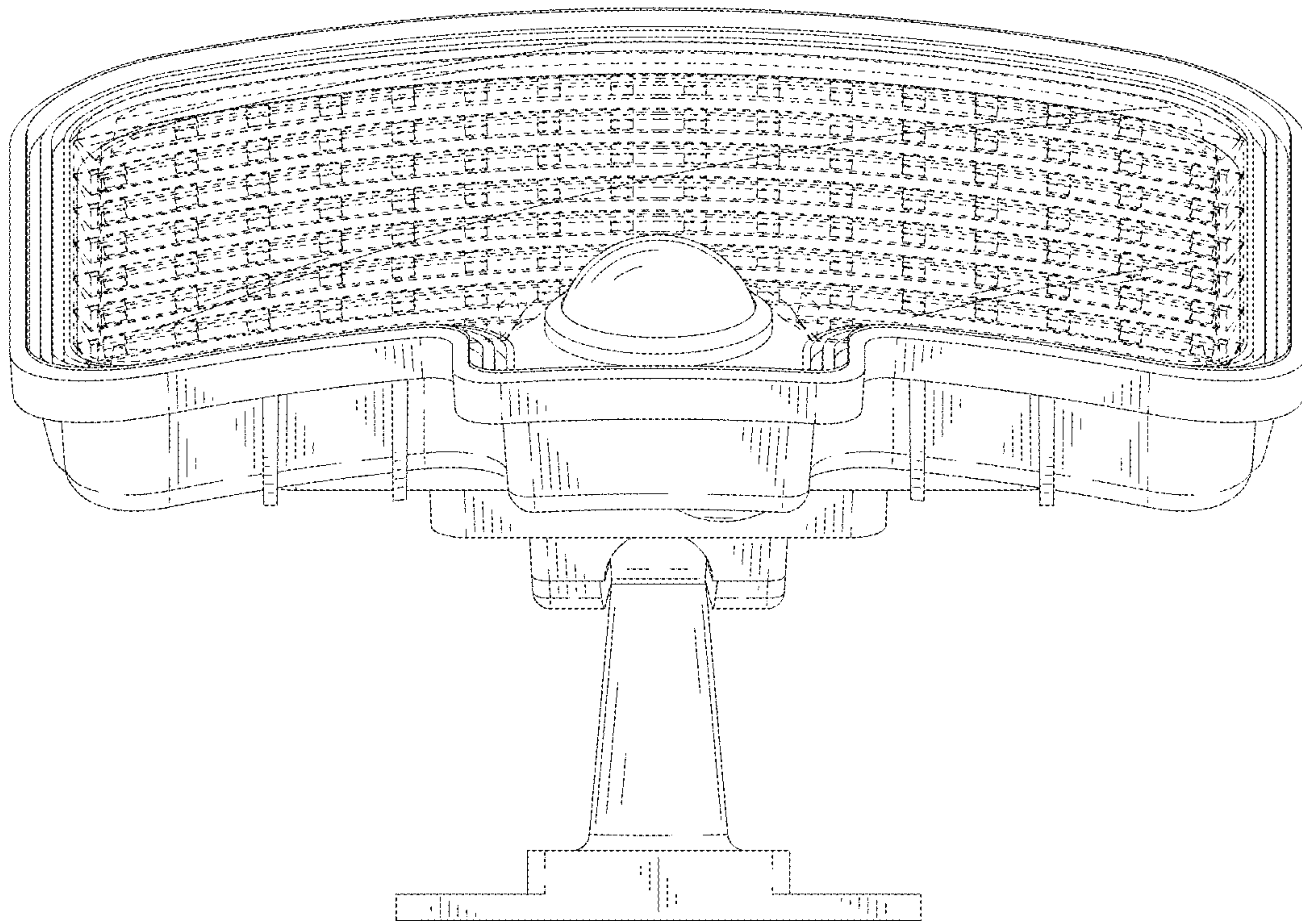


FIG. 3

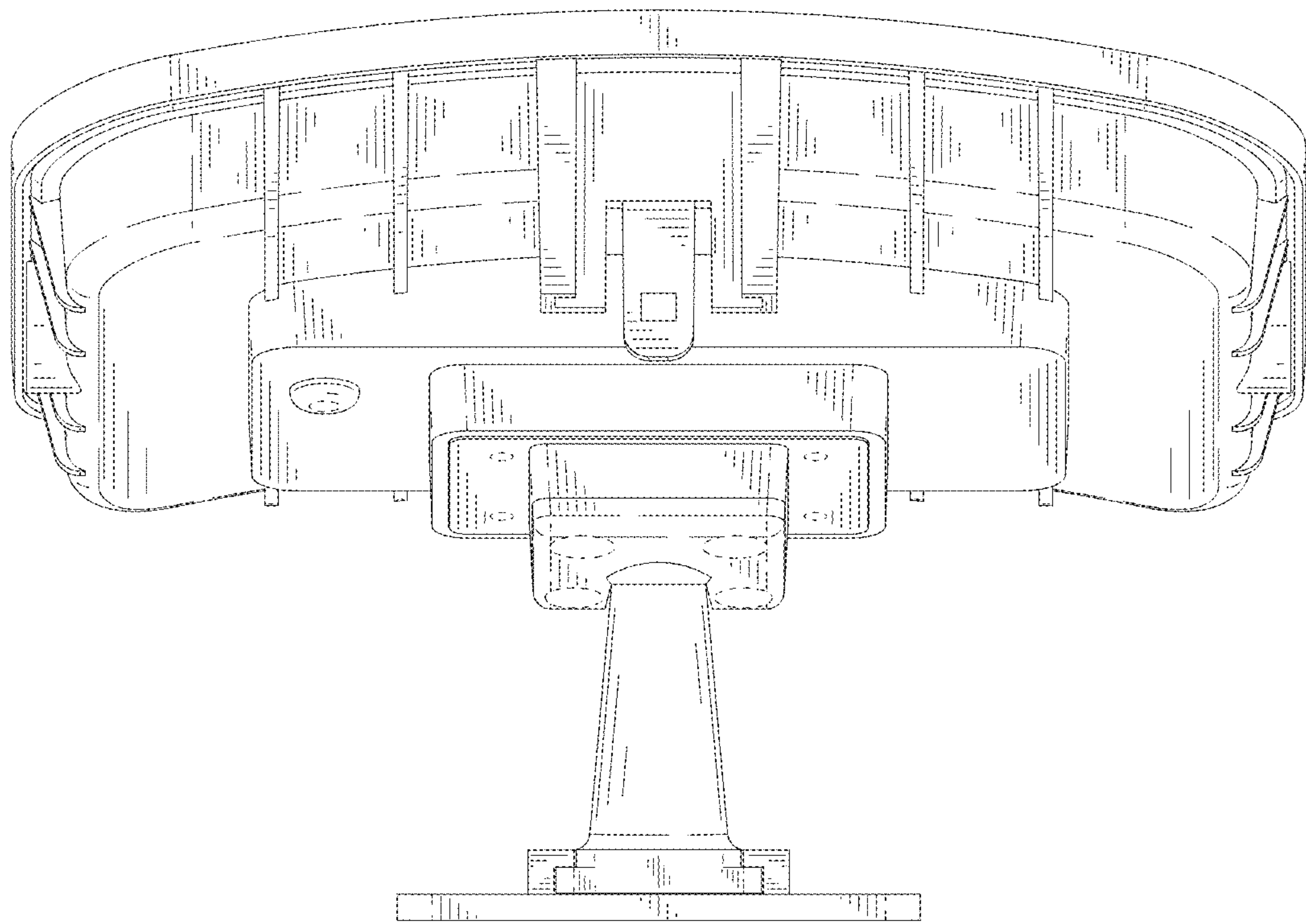


FIG. 4

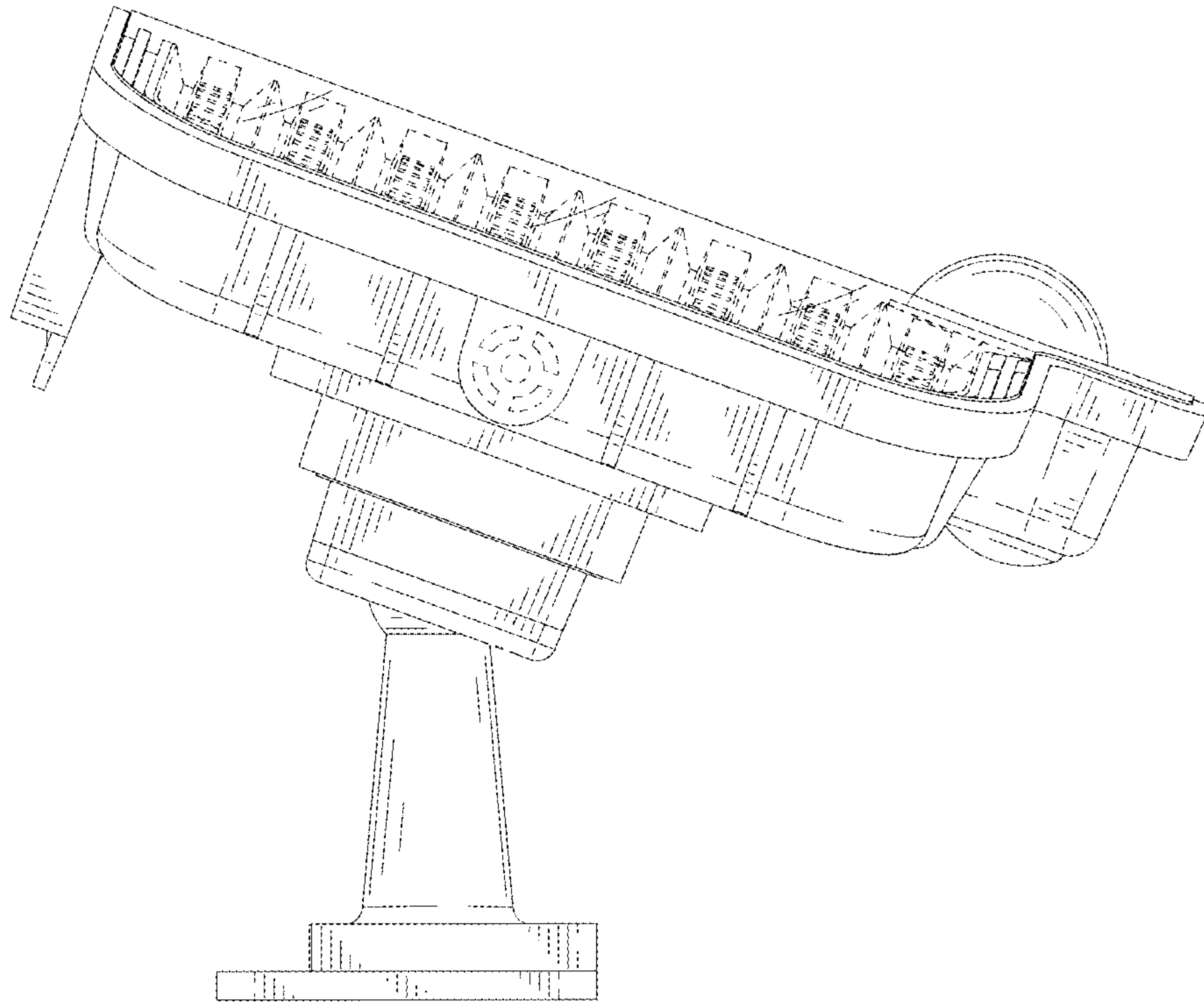


FIG. 5

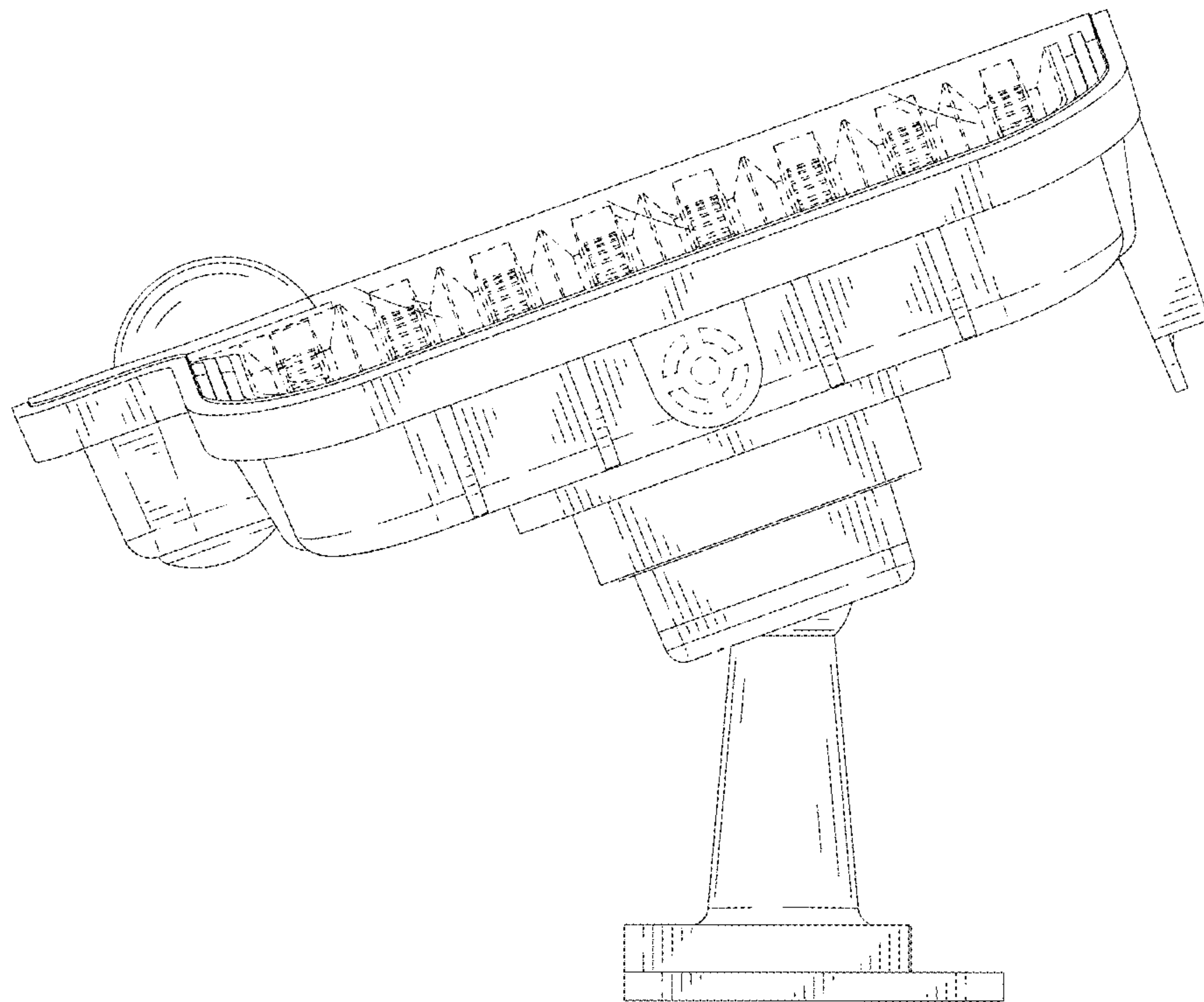


FIG. 6



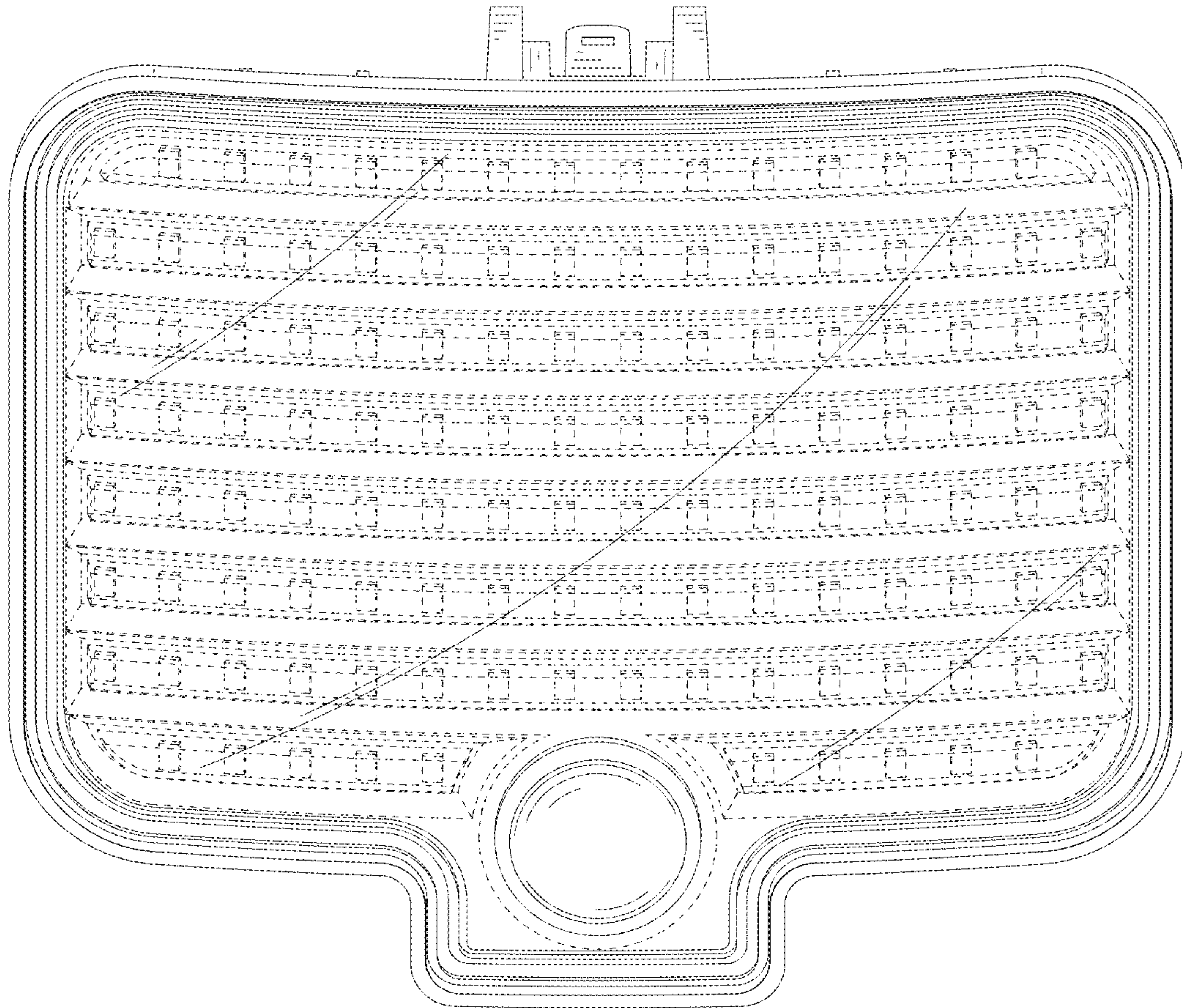


FIG. 7

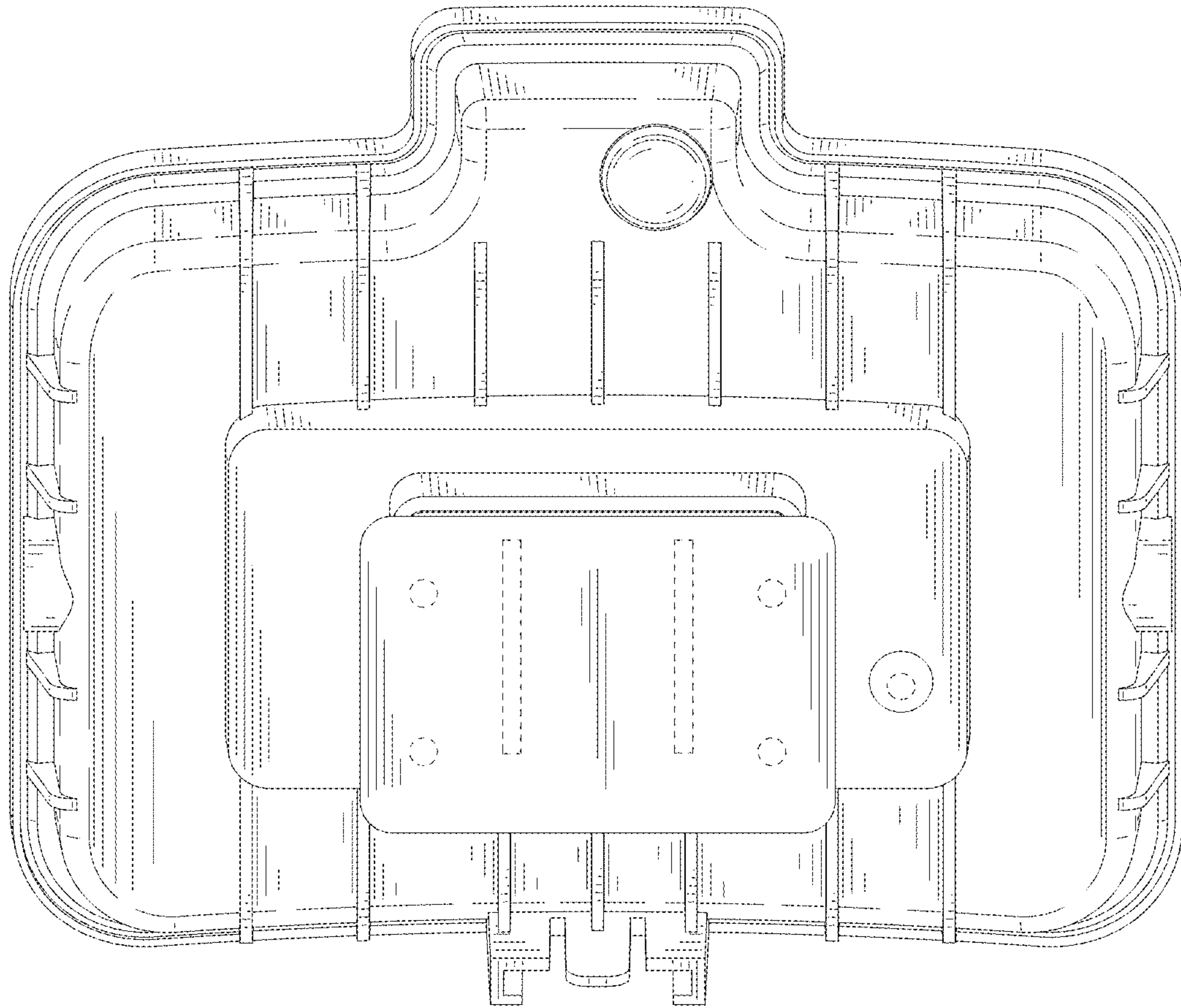


FIG. 8