



US00D987147S

(12) **United States Design Patent**
Wang

(10) **Patent No.:** **US D987,147 S**

(45) **Date of Patent:** **** May 23, 2023**

- (54) **CEILING FAN LIGHT KIT**
- (71) Applicant: **AIR COOL INDUSTRIAL CO., LTD.**, Taichung (TW)
- (72) Inventor: **Cliff Wang**, Taichung (TW)
- (73) Assignee: **AIR COOL INDUSTRIAL CO., LTD.**, Taichung (TW)

D705,473 S *	5/2014	Messisaen	D26/74
D726,897 S *	4/2015	Hatz	D23/411
D737,497 S *	8/2015	Burgess	D26/113
D745,957 S *	12/2015	Pan	D23/411
D868,293 S *	11/2019	Sonneman	D26/113
D878,653 S *	3/2020	Haggar	D26/89
D903,916 S *	12/2020	McRoberts	D26/59
D918,988 S *	5/2021	Au	D16/237
D929,633 S *	8/2021	Zhang	D26/59
D971,400 S *	11/2022	Biancuzzo	D26/89

(**) Term: **15 Years**

(21) Appl. No.: **29/764,797**

(22) Filed: **Jan. 3, 2021**

(51) **LOC (14) Cl.** **26-05**

(52) **U.S. Cl.**
USPC **D26/59; D23/411**

(58) **Field of Classification Search**
USPC D26/24, 51, 59–66, 72, 74, 81, 83, 85,
D26/88–89, 113, 118–120, 123–124;
D23/370–371, 375–377, 379, 385,
D23/411–413; D16/237
CPC F21V 33/0096; F21V 33/0088; F21V
23/0435; F04D 25/088; F04D 25/166;
F04D 25/084; F21Y 2115/10; F24F
13/078; F24F 2221/02
See application file for complete search history.

(56) **References Cited**

U.S. PATENT DOCUMENTS

D547,483 S *	7/2007	Pickett	D26/89
D603,086 S *	10/2009	Zayas	D26/113
D632,780 S *	2/2011	Pan	D23/411
D639,993 S *	6/2011	Mier-Langner	F21S 8/02
				D26/74
D674,887 S *	1/2013	Dyson	D23/385

* cited by examiner

Primary Examiner — Mark A Goodwin

Assistant Examiner — William B Melliar

(74) *Attorney, Agent, or Firm* — Pai Patent & Trademark Law Firm; Chao-Chang David Pai

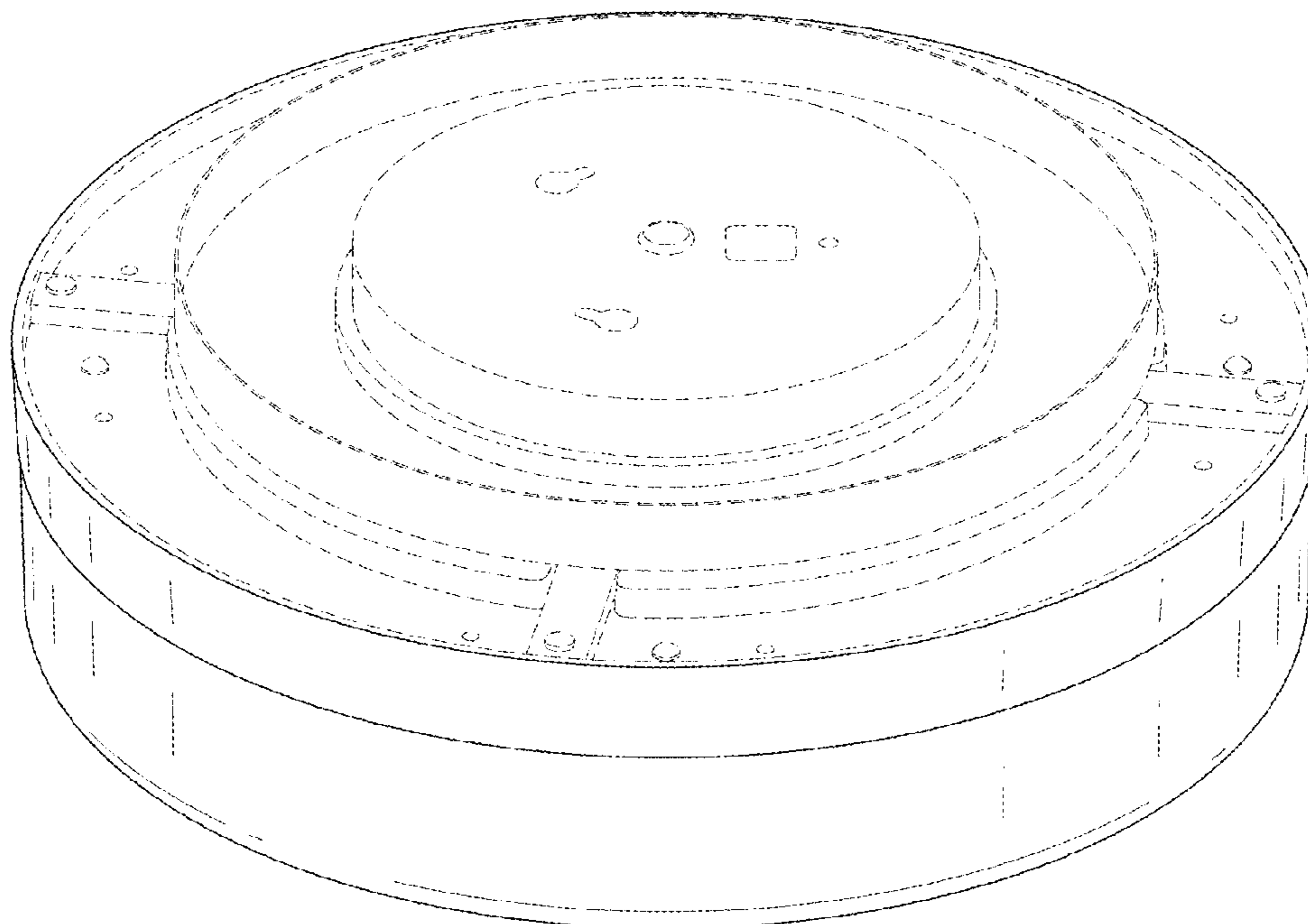
(57) **CLAIM**

The ornamental design for a ceiling fan light kit, as shown and described.

DESCRIPTION

FIG. 1 is a front top perspective view of a ceiling fan light kit showing my new design;
FIG. 2 is a front elevational view thereof;
FIG. 3 is a rear elevational view thereof;
FIG. 4 is a left side elevational view thereof;
FIG. 5 is a right side elevational view thereof;
FIG. 6 is a top plan view thereof;
FIG. 7 is a bottom plan view thereof; and,
FIG. 8 is a front bottom perspective view thereof.
The broken lines illustrate portions of the ceiling fan light kit that form no part of the claimed design.

1 Claim, 6 Drawing Sheets



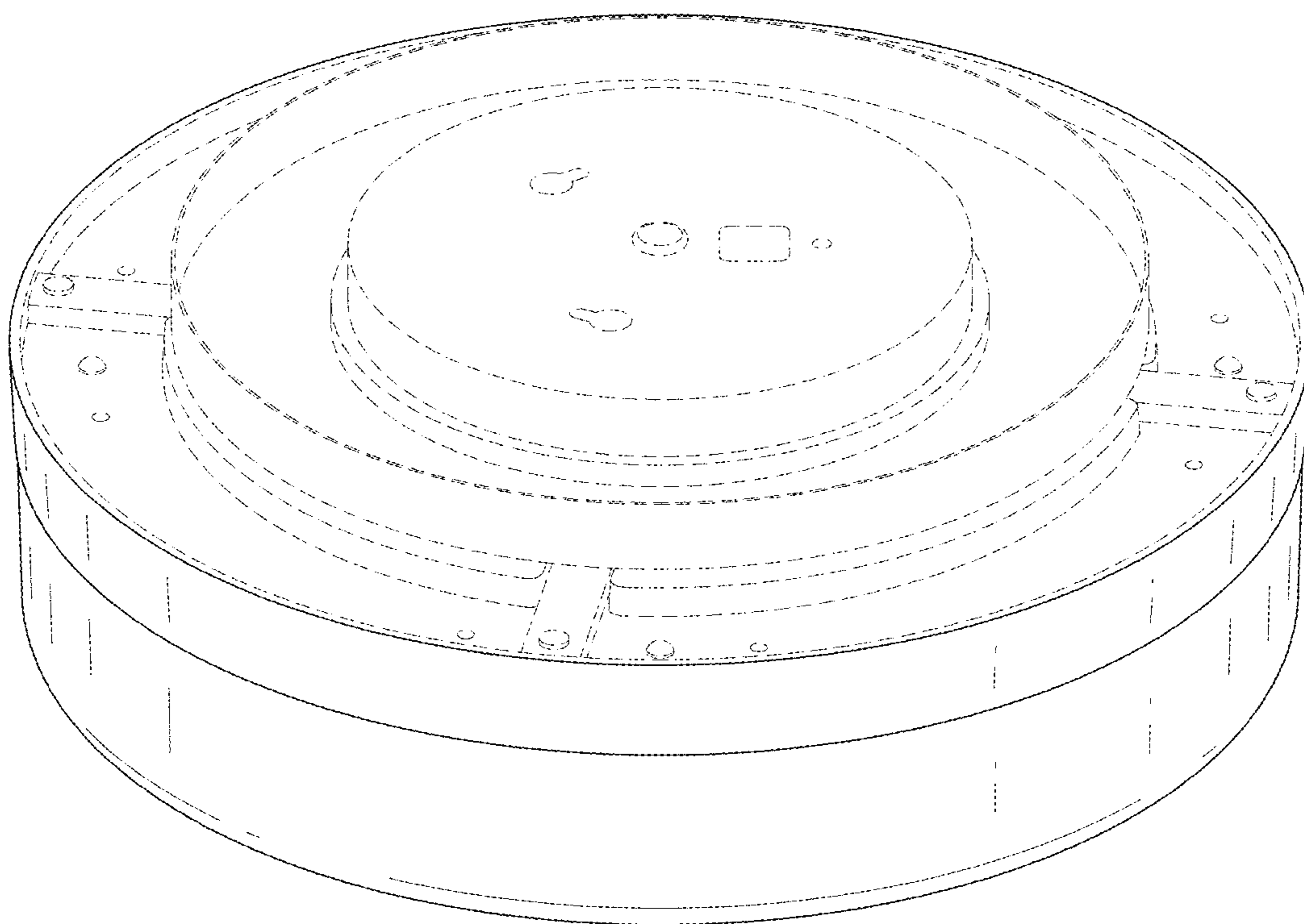


FIG. 1

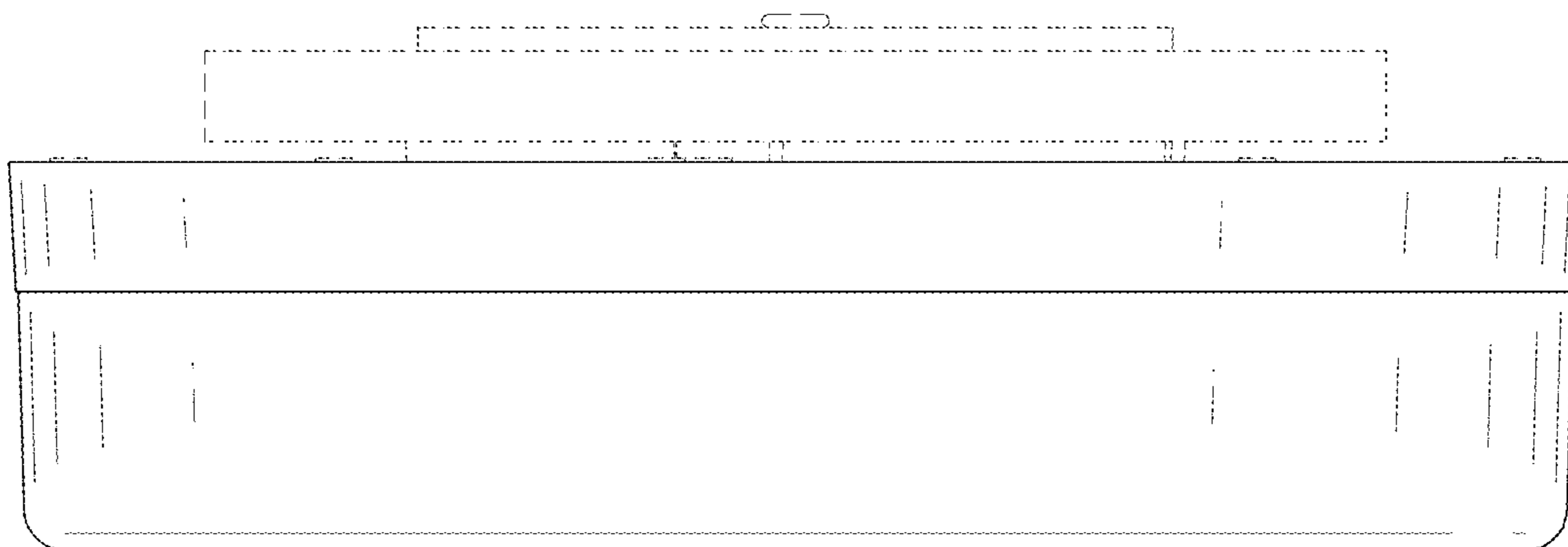


FIG. 2

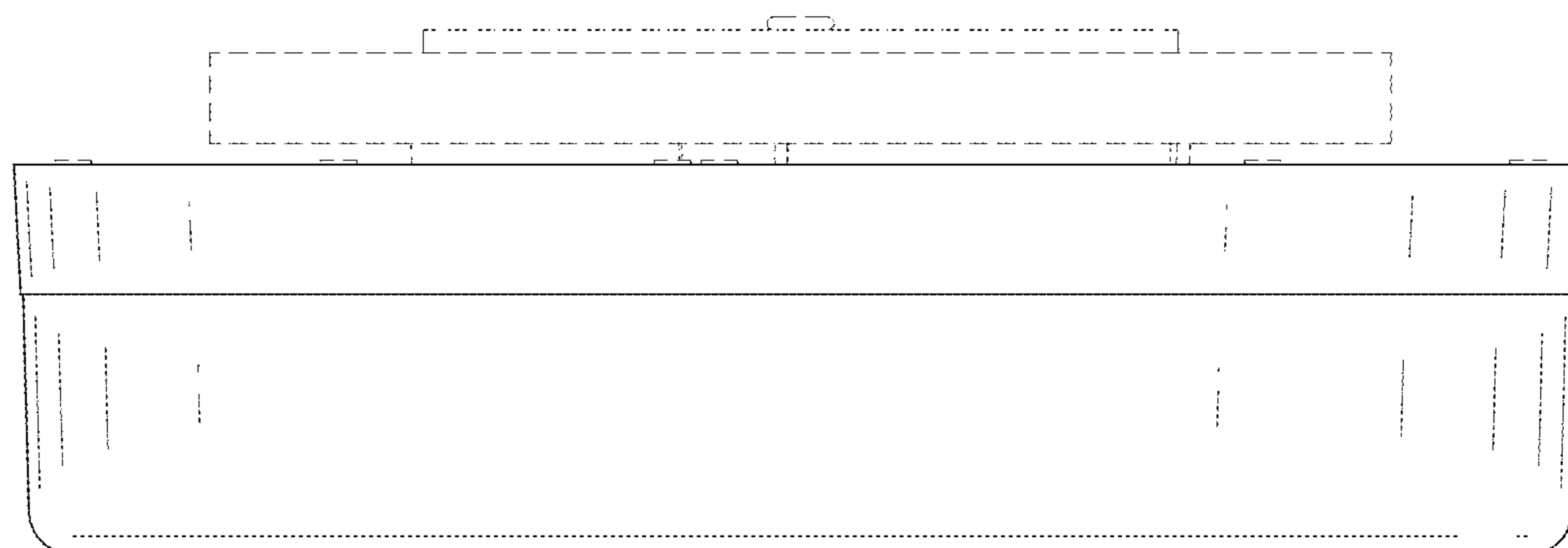


FIG. 3

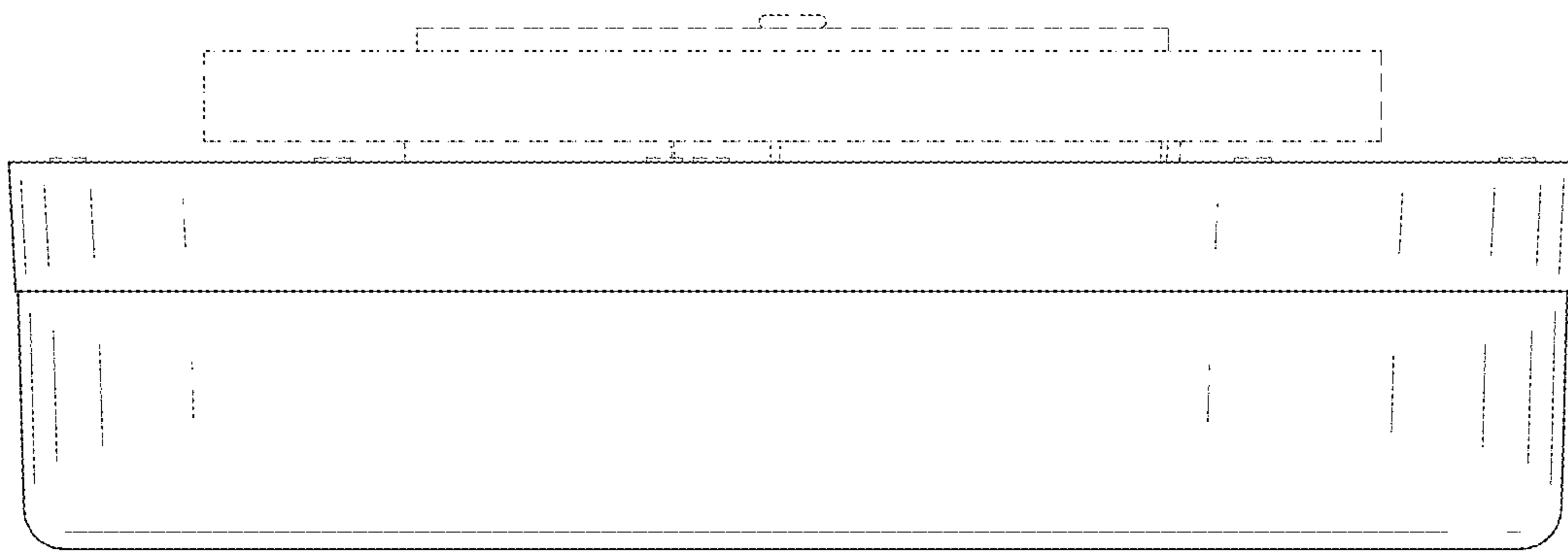


FIG. 4

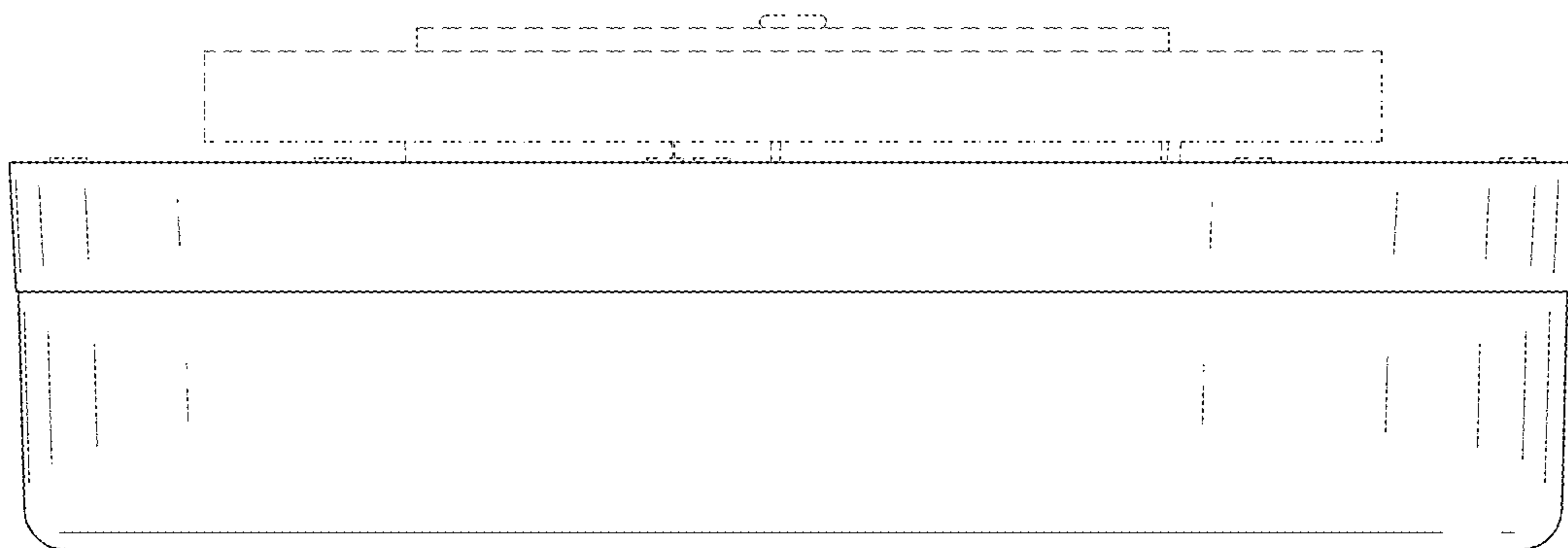


FIG. 5

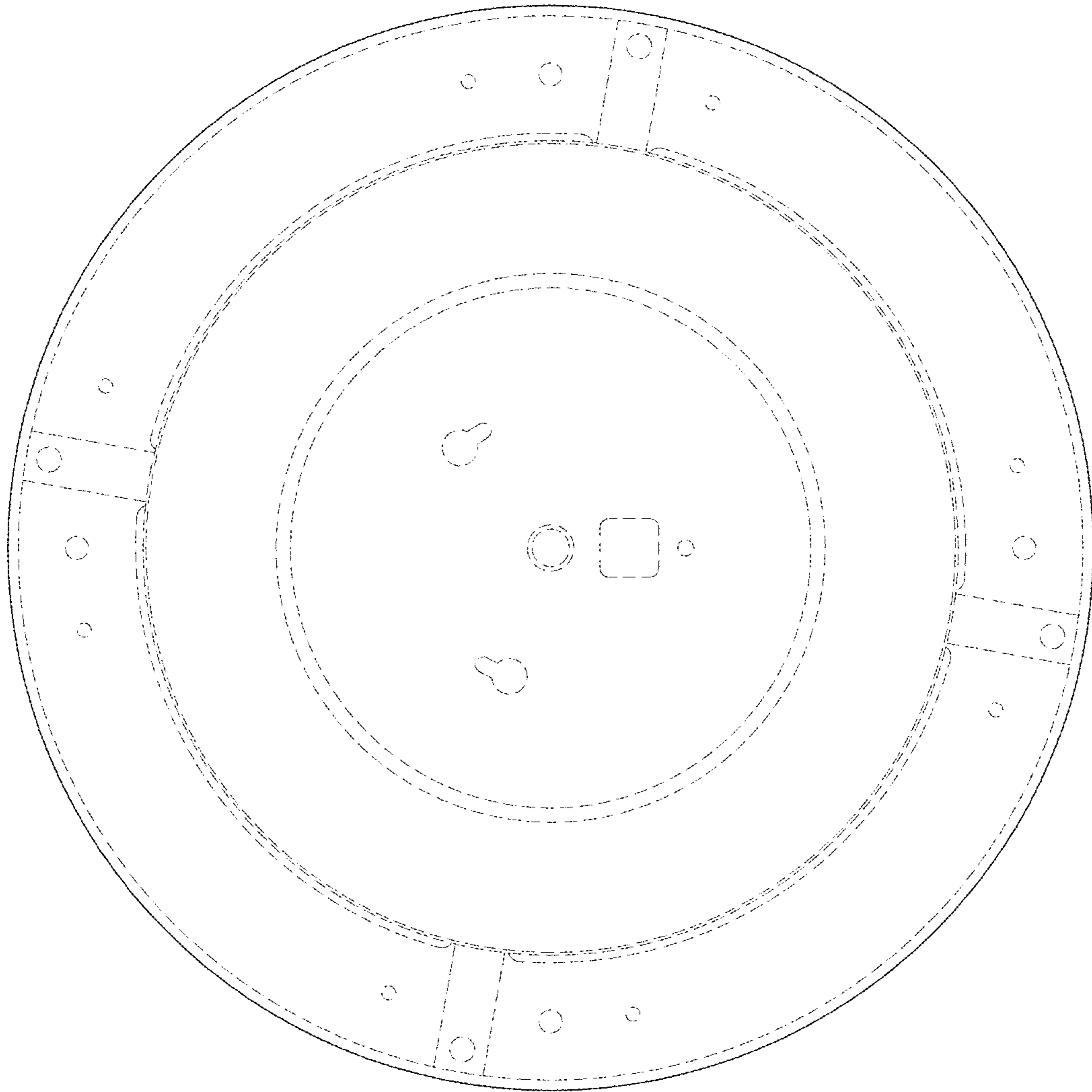


FIG. 6

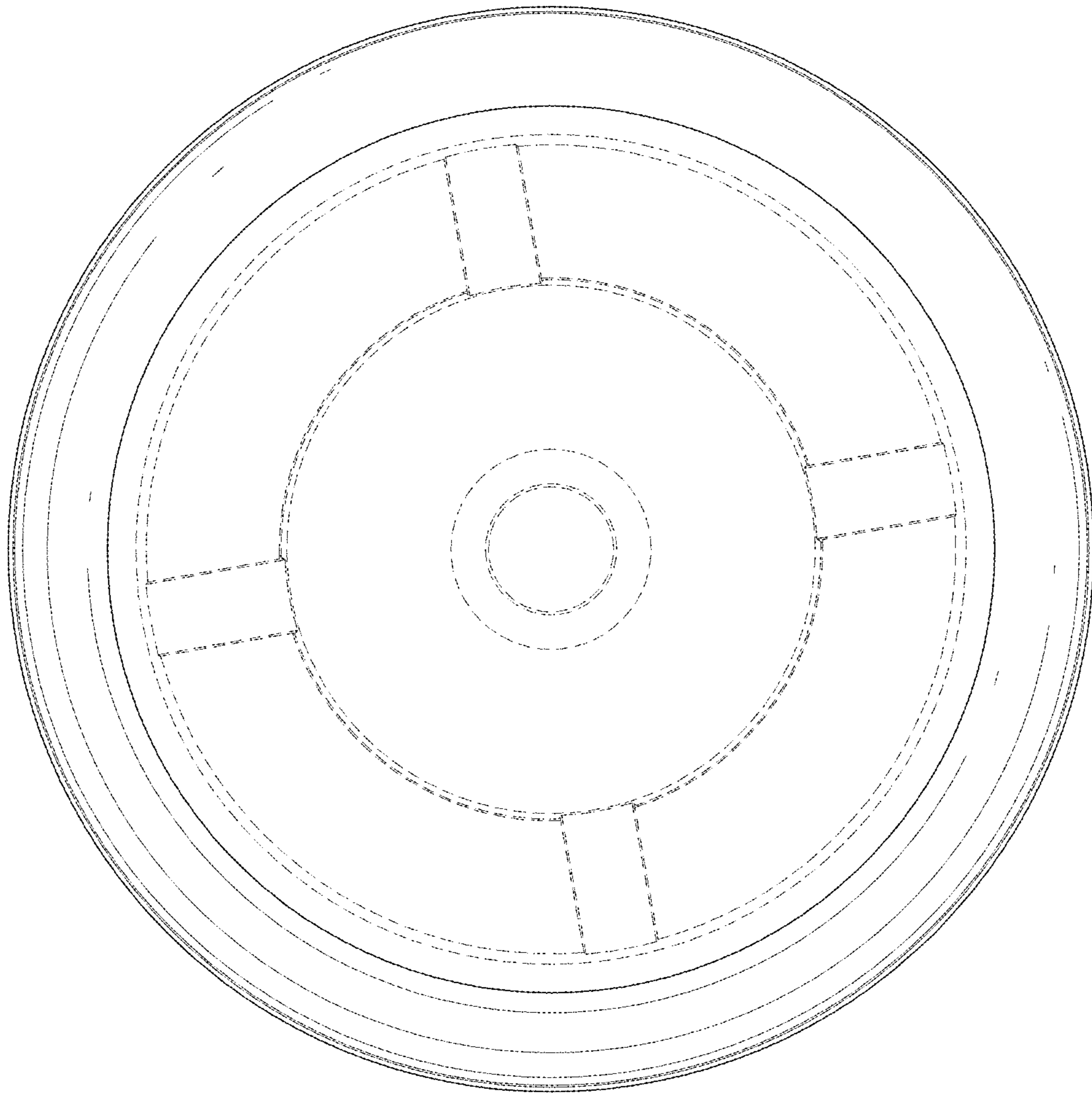


FIG. 7

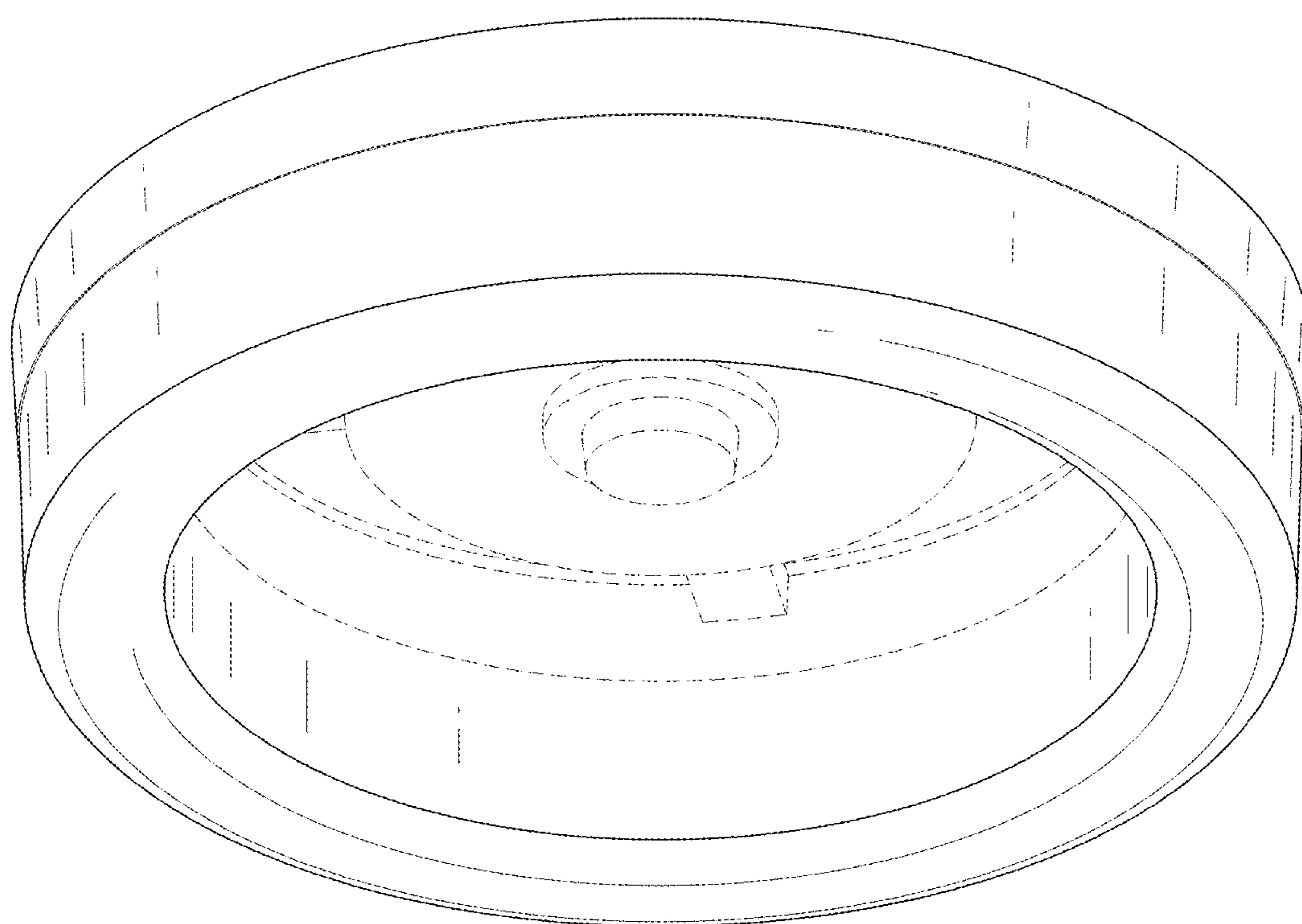


FIG. 8