



US00D987144S

(12) **United States Design Patent** (10) **Patent No.:** **US D987,144 S**
Akcaay (45) **Date of Patent:** **** May 23, 2023**

(54) **VEHICLE HEADLIGHT**
(71) Applicant: **VOLKSWAGEN AKTIENGESELLSCHAFT, Wolfsburg (DE)**
(72) Inventor: **Cihan Akcaay, Wolfsburg (DE)**
(73) Assignee: **VOLKSWAGEN AKTIENGESELLSCHAFT, Wolfsburg (DE)**
(**) Term: **15 Years**
(21) Appl. No.: **29/811,295**
(22) Filed: **Oct. 13, 2021**
(51) **LOC (14) Cl.** **26-06**
(52) **U.S. Cl.**
USPC **D26/28**
(58) **Field of Classification Search**
USPC D26/28, 29, 30, 31, 32, 33, 34, 35, 36, D26/139
CPC F21S 41/00; F21S 41/141; F21S 41/162; F21S 41/18; F21S 41/20; F21S 41/33; F21S 41/36; F21S 41/60; F21S 43/00; F21W 2103/35; F21W 2103/40; F21W 2102/17; F21W 2102/30; F21W 2103/00; F21W 2103/55; F21W 2104/00; F21W 2107/17; F21W 2107/13
See application file for complete search history.

D938,630 S * 12/2021 Allmendinger D26/28
D938,631 S * 12/2021 Allmendinger D26/28
D939,111 S * 12/2021 Allmendinger D26/28

(Continued)

FOREIGN PATENT DOCUMENTS

WO DM206354 2/2020

Primary Examiner — Angela J Lee

(74) *Attorney, Agent, or Firm* — Lucas & Mercanti, LLP; Klaus P. Stoffel

(57) **CLAIM**

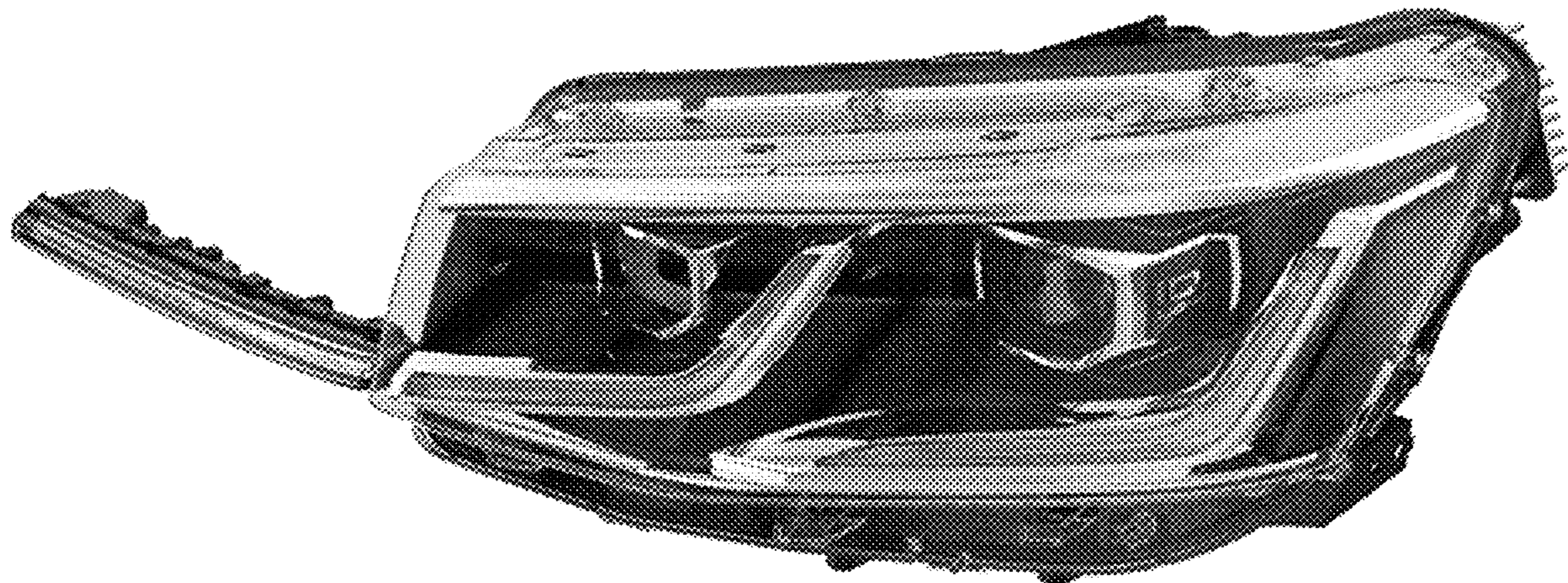
The ornamental design for a vehicle headlight, as shown and described.

DESCRIPTION

FIG. 1 is a front and top perspective view of a first embodiment of the vehicle headlight showing the present design;
FIG. 2 is a right side view thereof;
FIG. 3 is a left side view thereof;
FIG. 4 is a front view thereof;
FIG. 5 is a top view thereof;
FIG. 6 is a bottom view thereof;
FIG. 7 is a right side perspective view thereof;
FIG. 8 is a rear view thereof;
FIG. 9 is a front and top perspective view of a second embodiment of the vehicle headlight showing the present design, the second embodiment being a mirror image of the first embodiment;
FIG. 10 is a left side view thereof;
FIG. 11 is a right side view thereof;
FIG. 12 is a front view thereof;
FIG. 13 is a top view thereof;
FIG. 14 is a bottom view thereof;
FIG. 15 is a left side perspective view thereof; and
FIG. 16 is a rear view thereof.
The text "IQ.LIGHT" forming part of the claimed design is a registered trademark of Volkswagen Aktiengesellschaft.

1 Claim, 10 Drawing Sheets

(56) **References Cited**
U.S. PATENT DOCUMENTS
D889,697 S * 7/2020 Tovey D26/28
D891,654 S * 7/2020 Woodhouse D26/28
D897,573 S * 9/2020 Patel D26/28
D911,562 S * 2/2021 Lin D26/28
D921,241 S * 6/2021 He D26/28
D923,827 S * 6/2021 Loisch D26/28
D936,874 S * 11/2021 Wu D26/28



(56)

References Cited

U.S. PATENT DOCUMENTS

D966,580 S * 10/2022 Mueller-Stolz D26/28
D967,993 S * 10/2022 Tovey D26/28

* cited by examiner

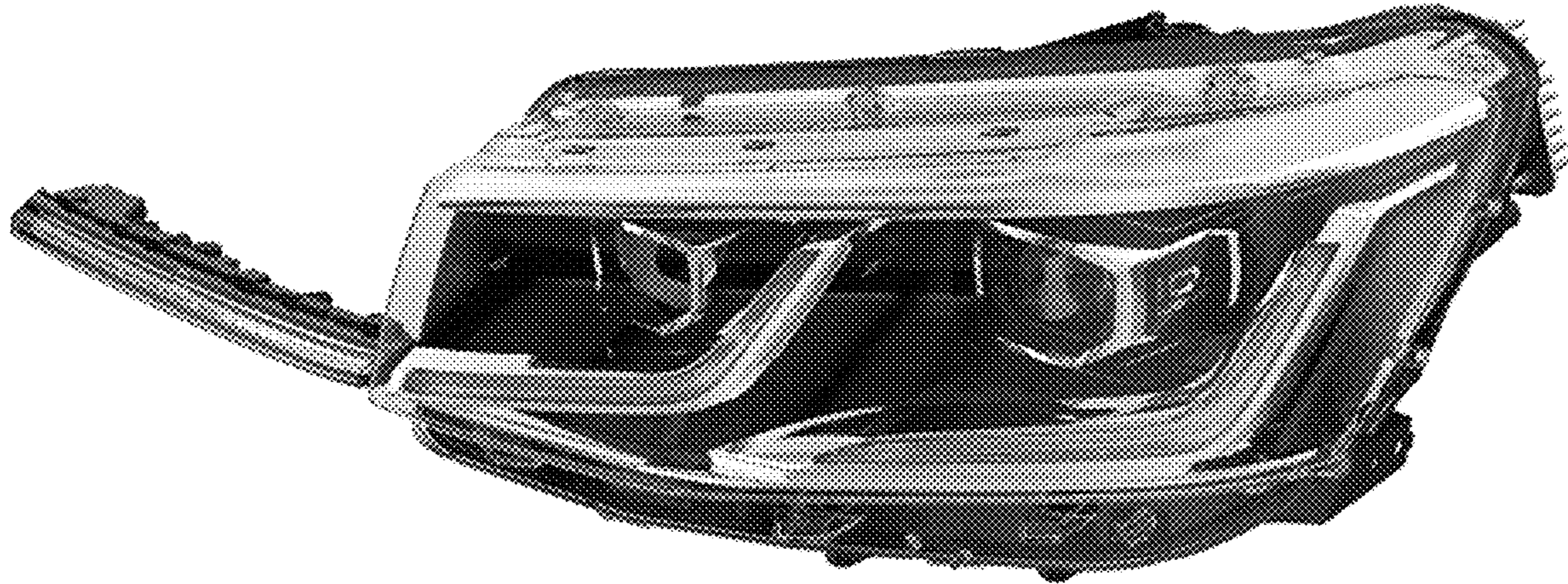


Fig. 1

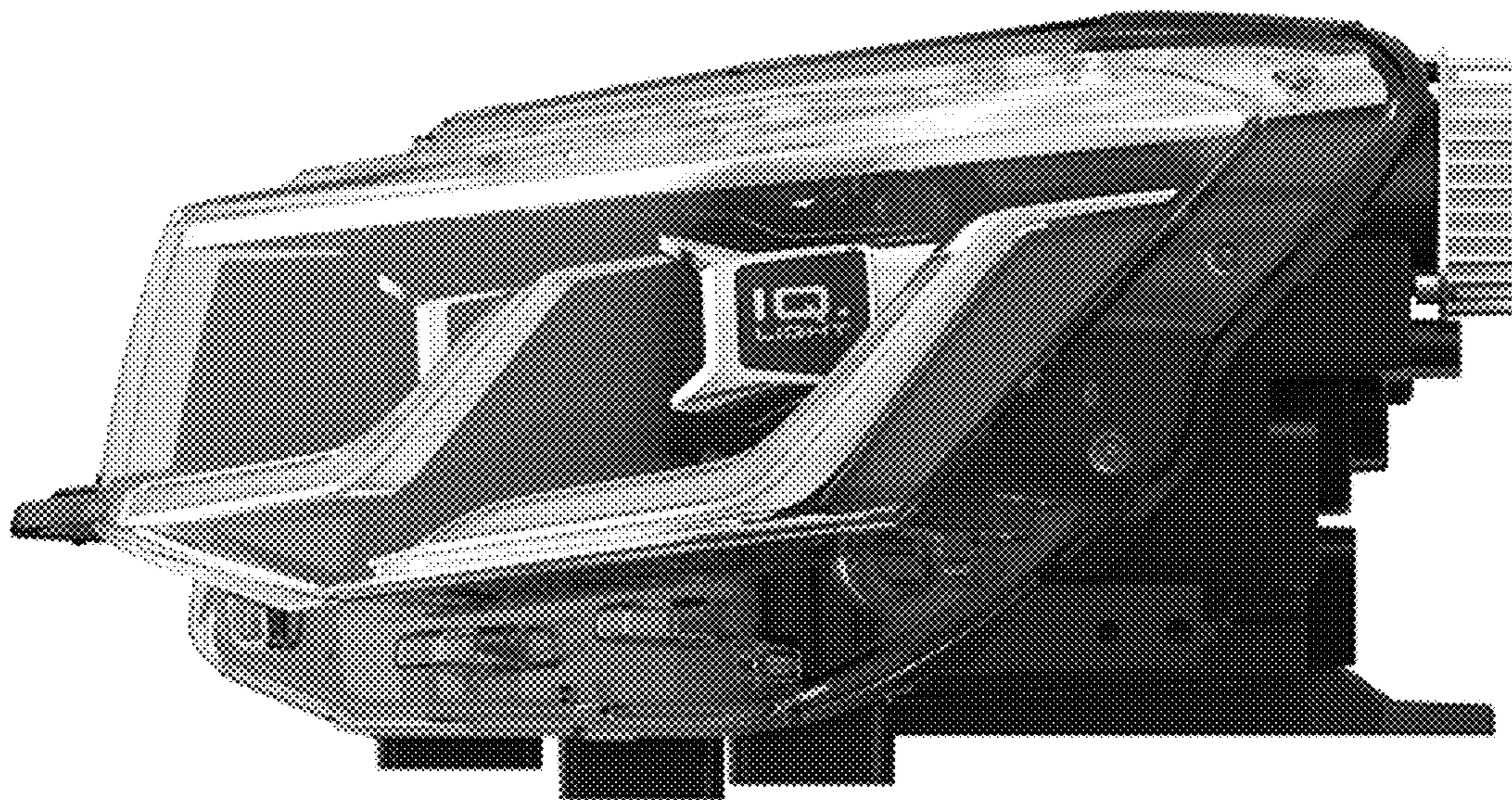


Fig. 2

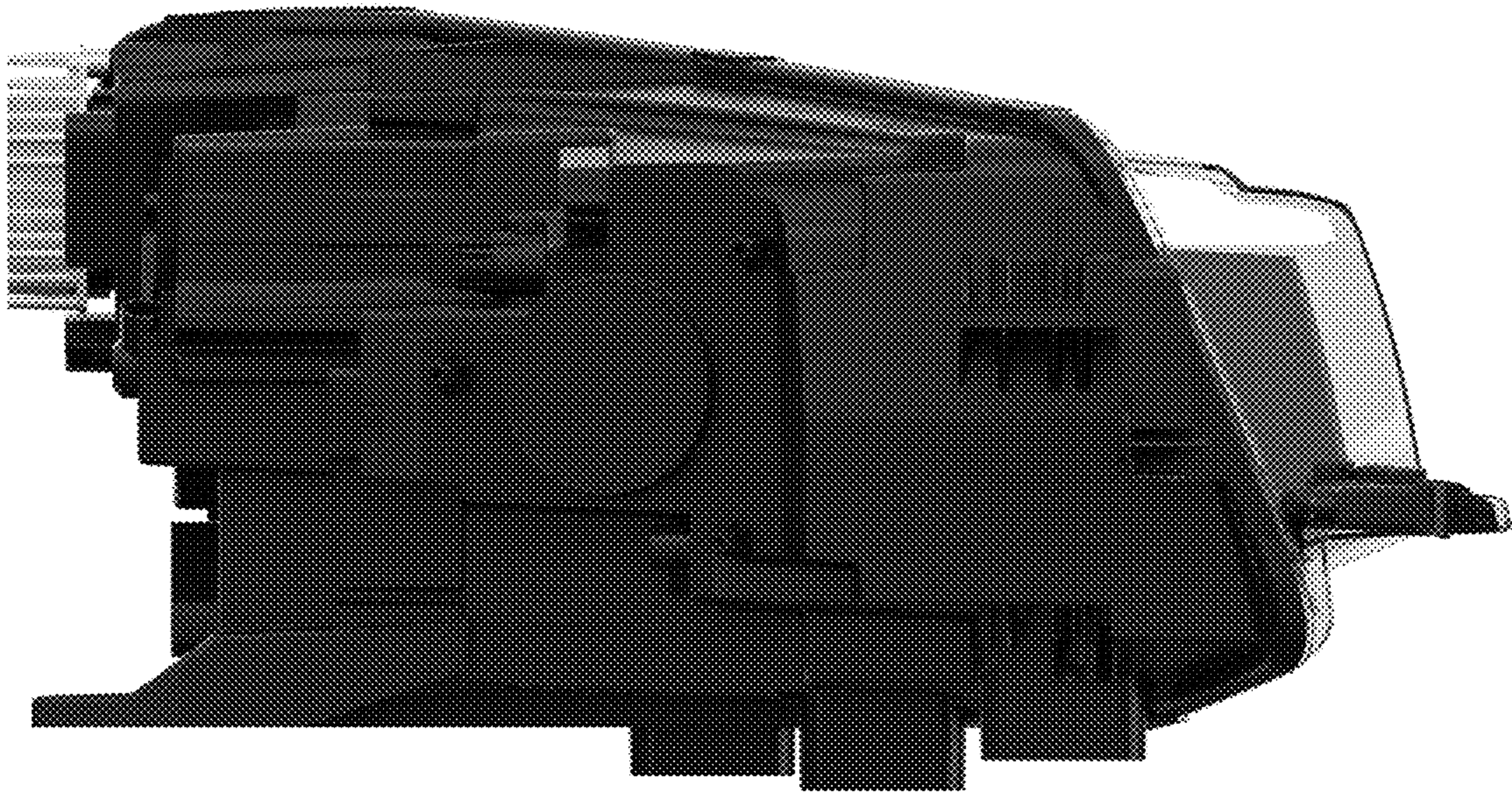


Fig. 3

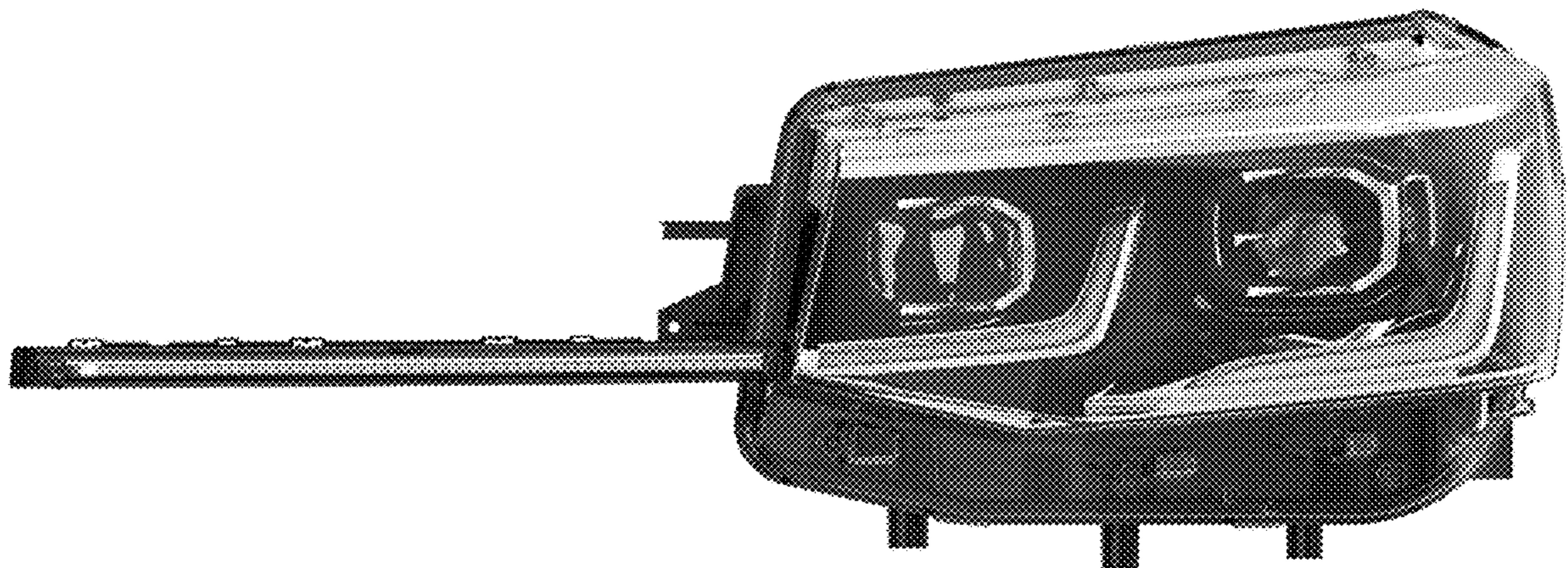


Fig. 4

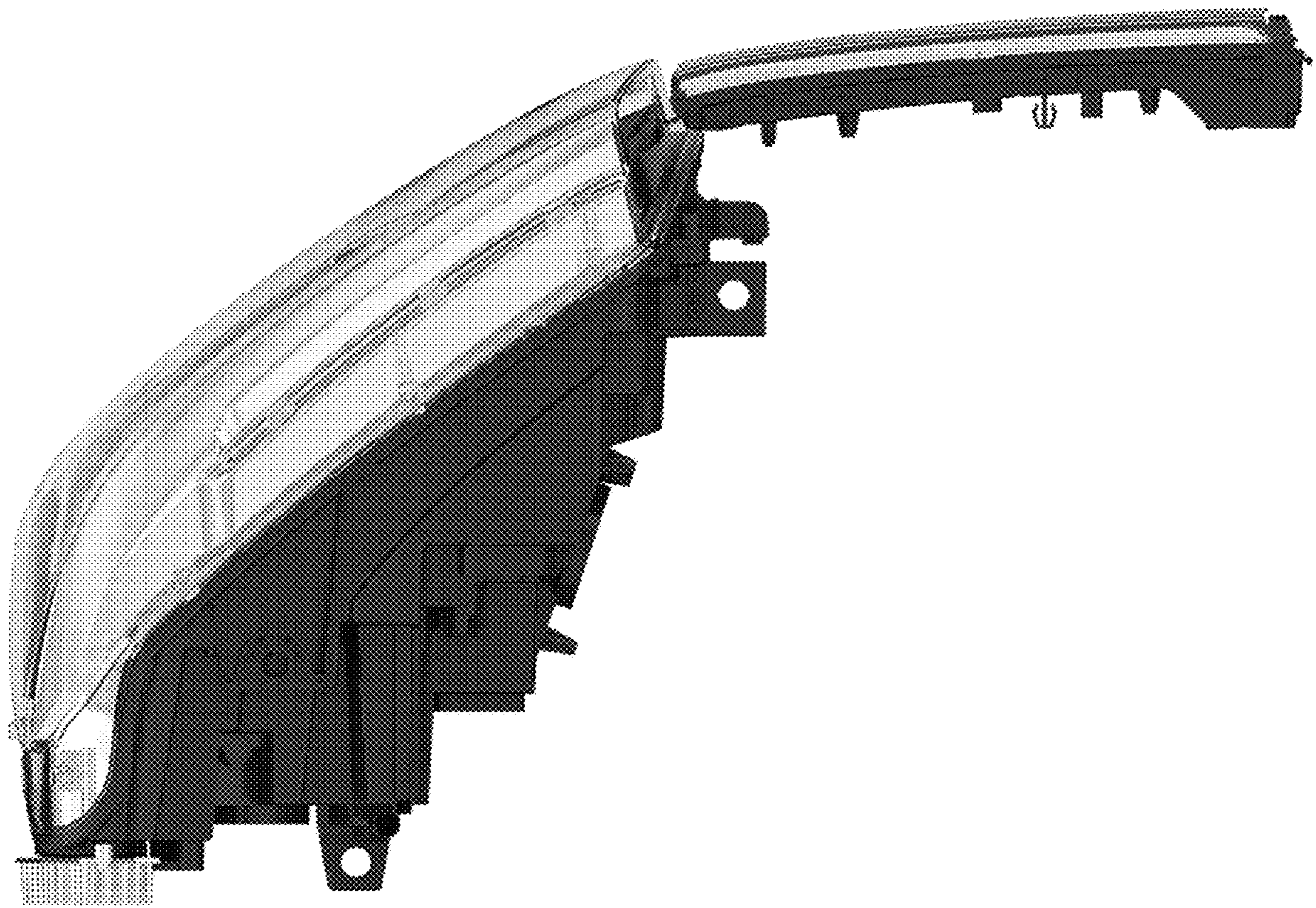


Fig. 5

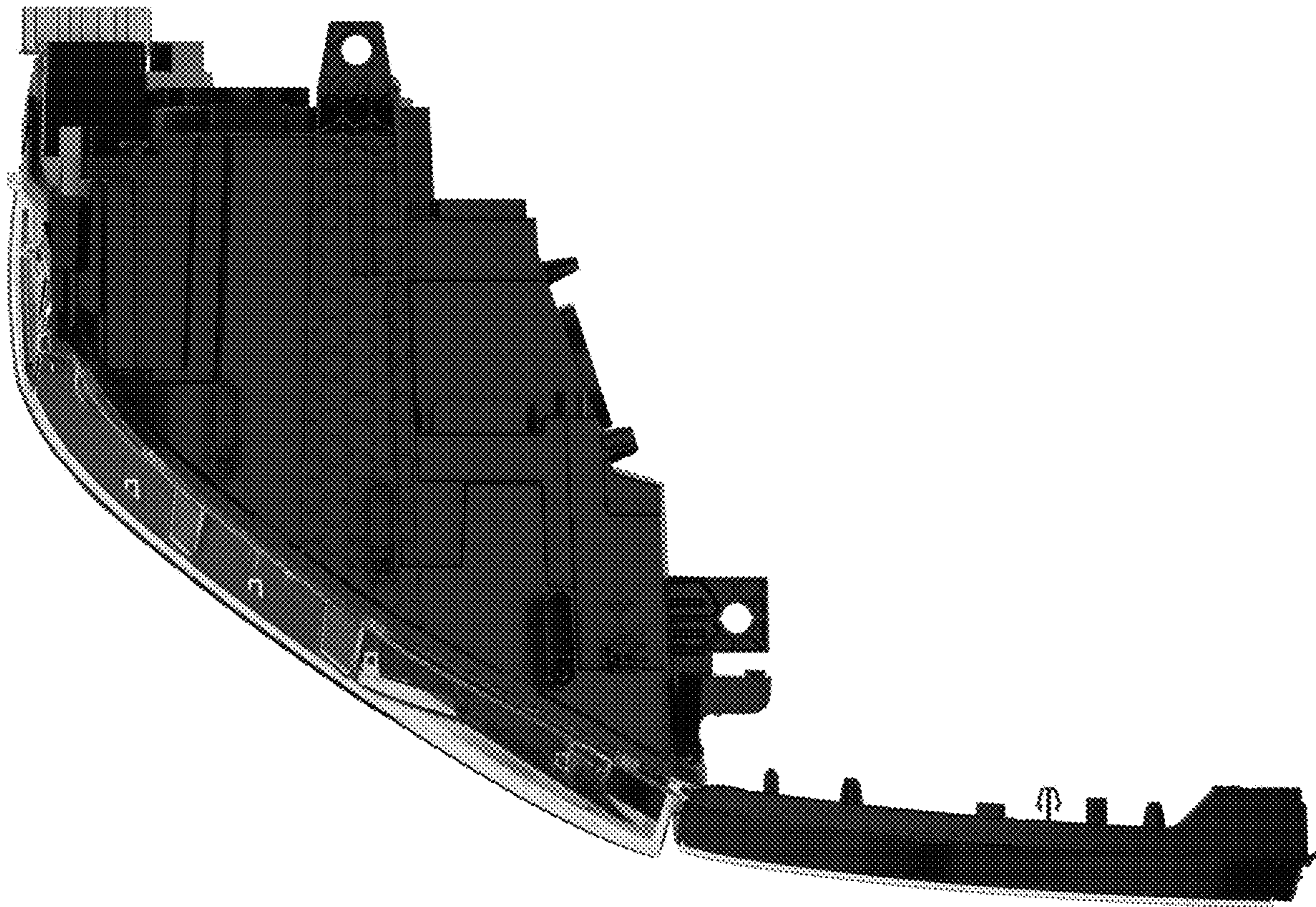


Fig. 6

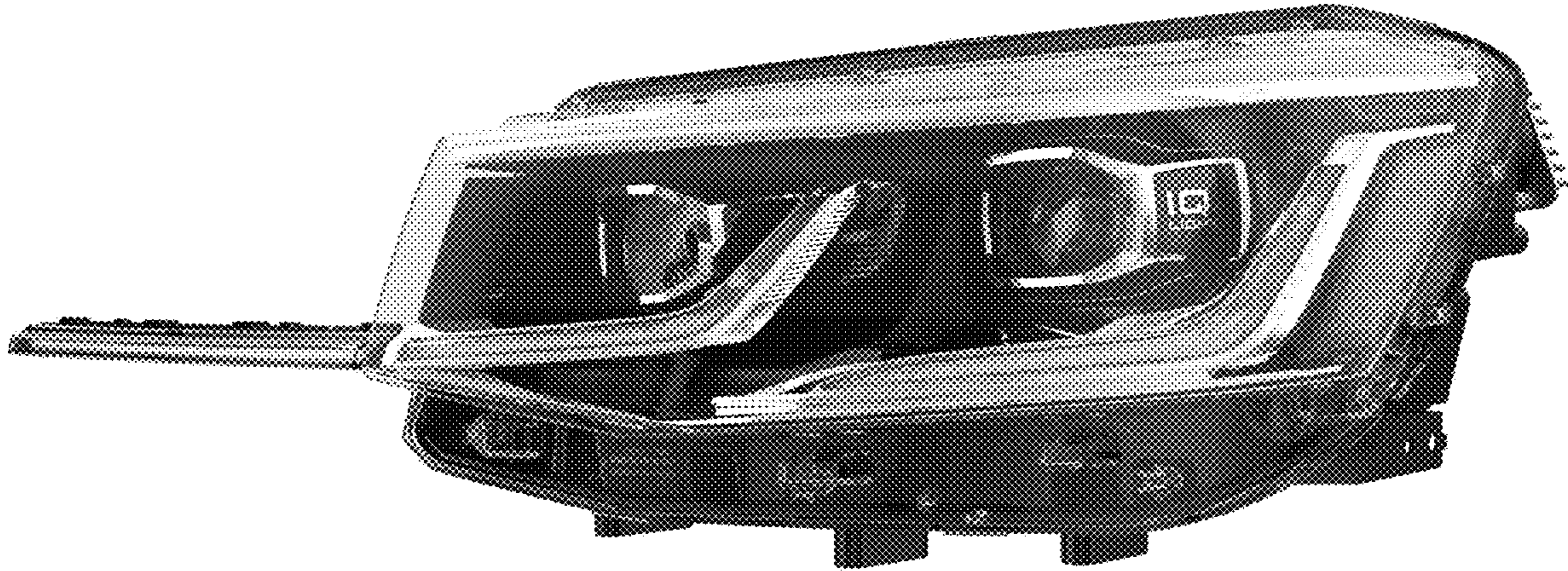


Fig. 7

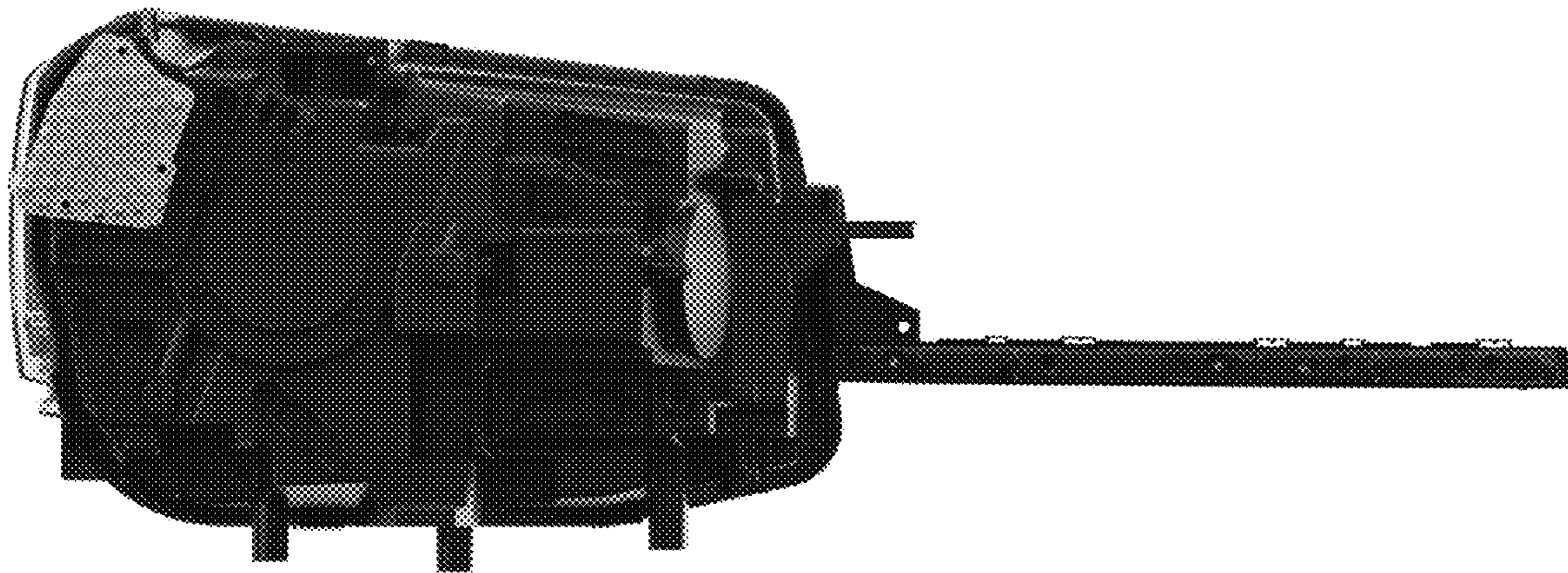


Fig. 8

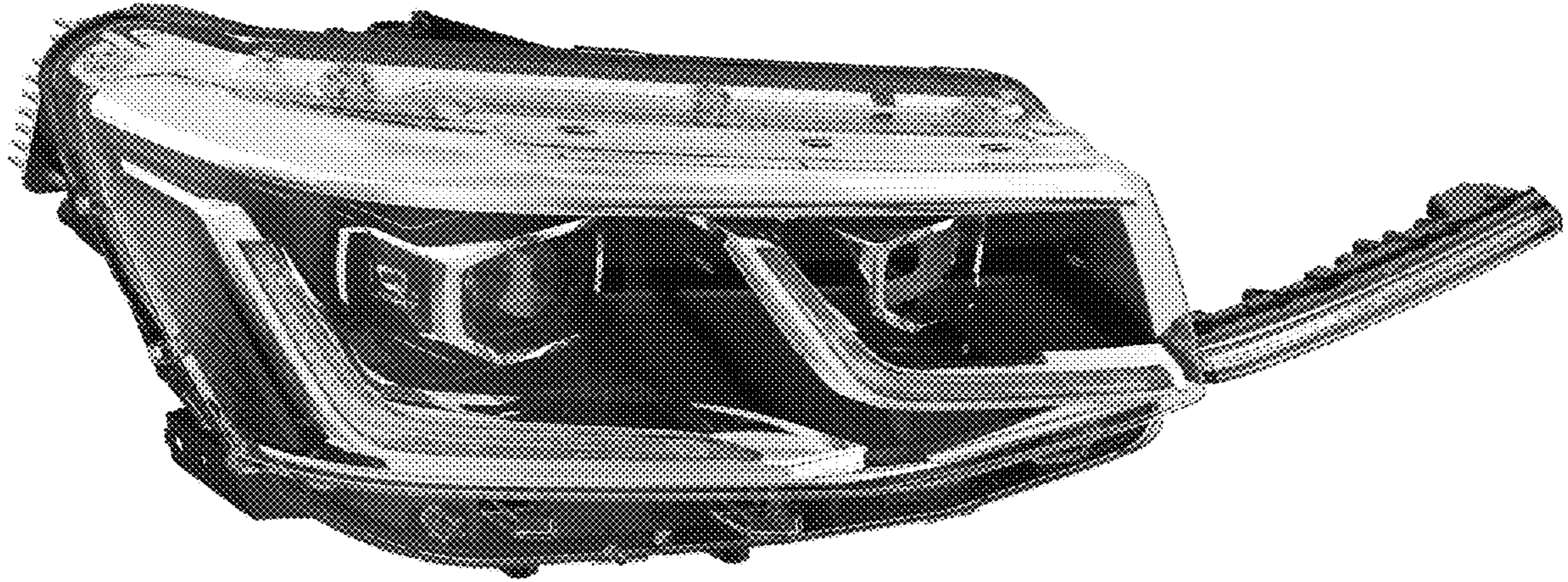


Fig. 9

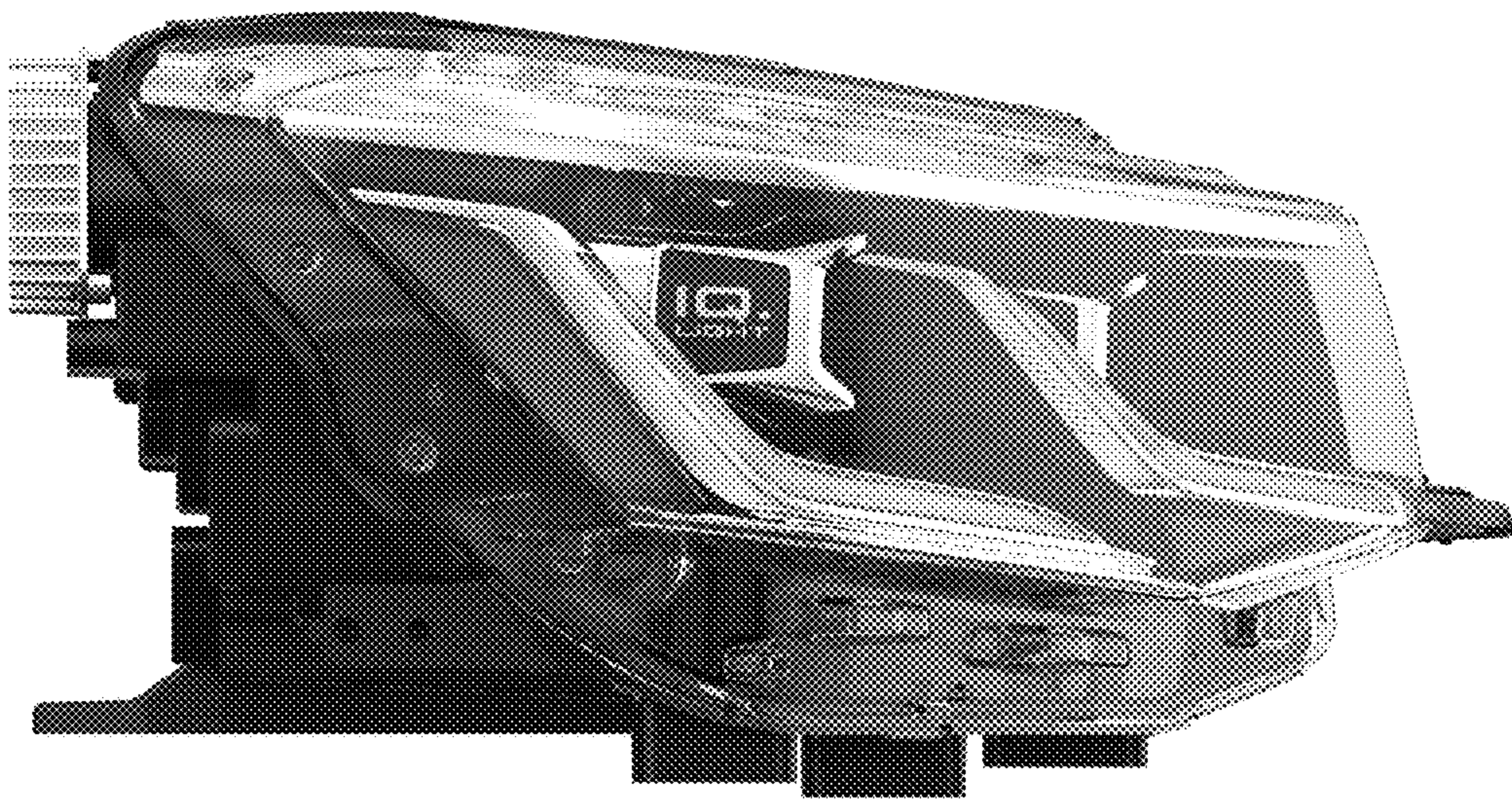


Fig. 10

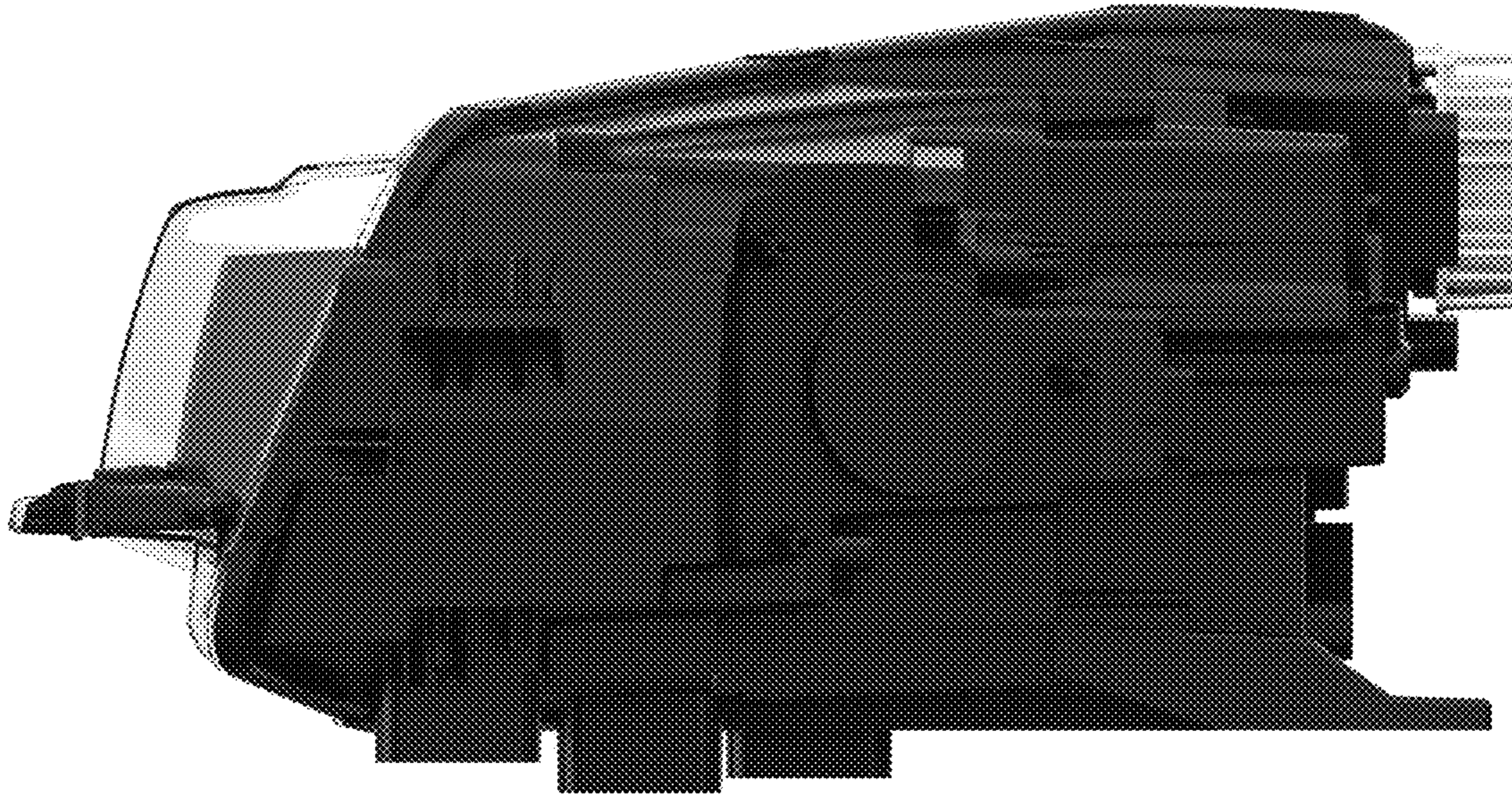


Fig. 11

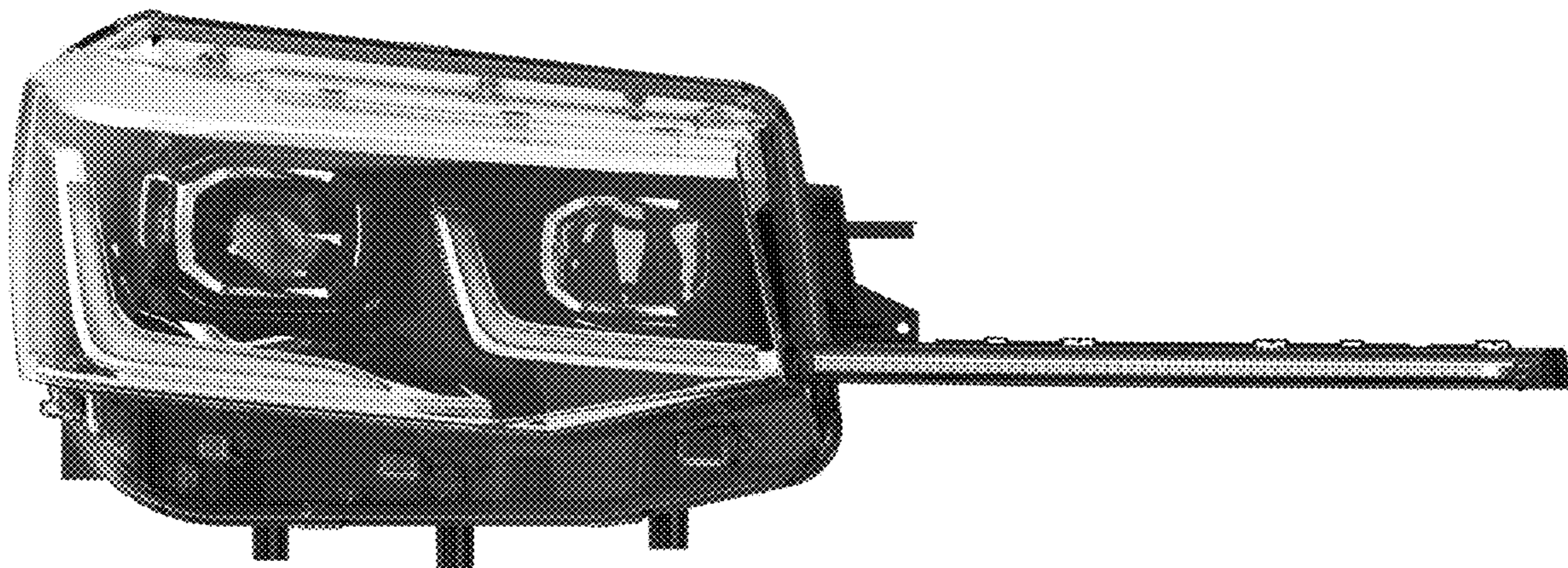


Fig. 12

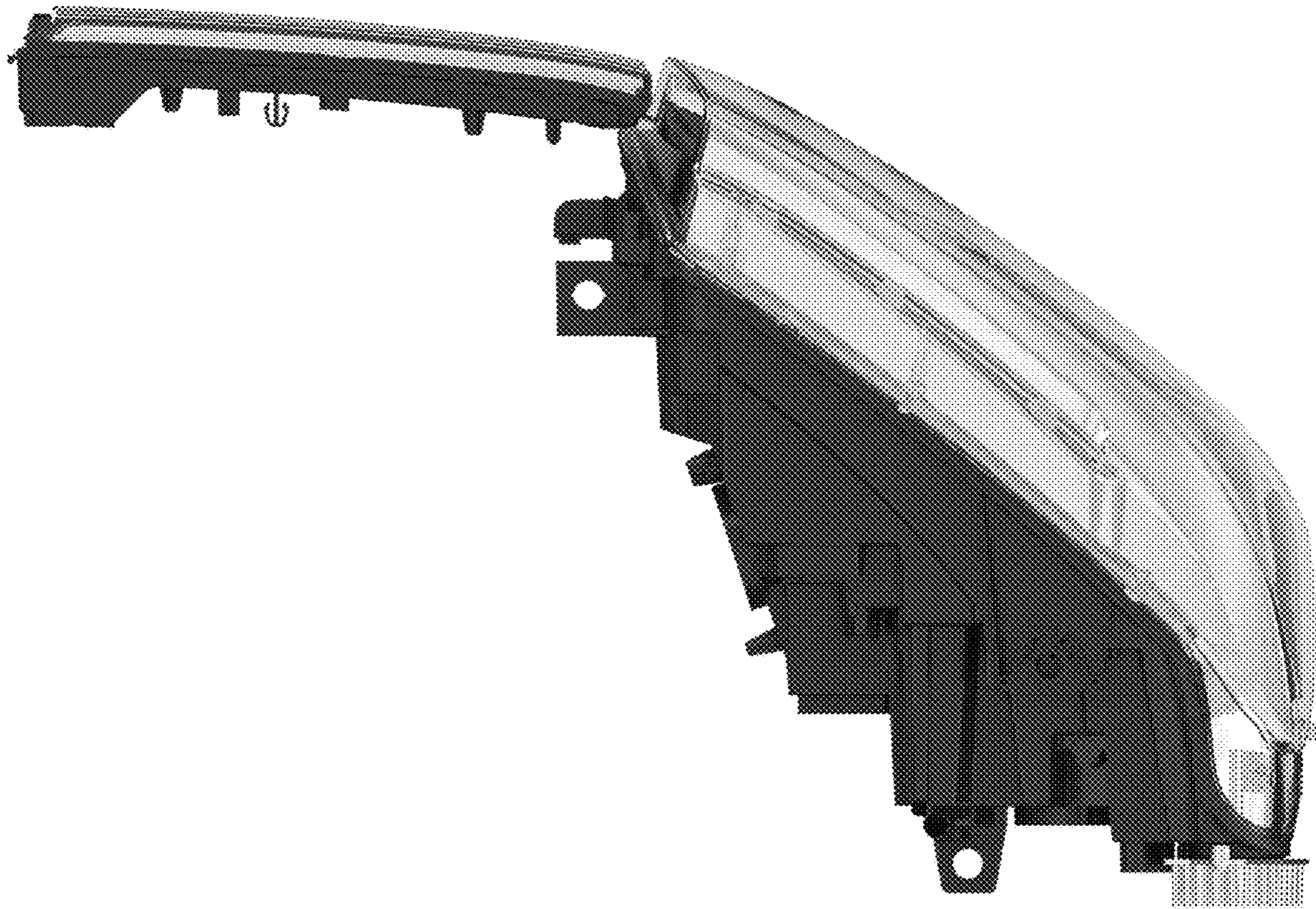


Fig. 13

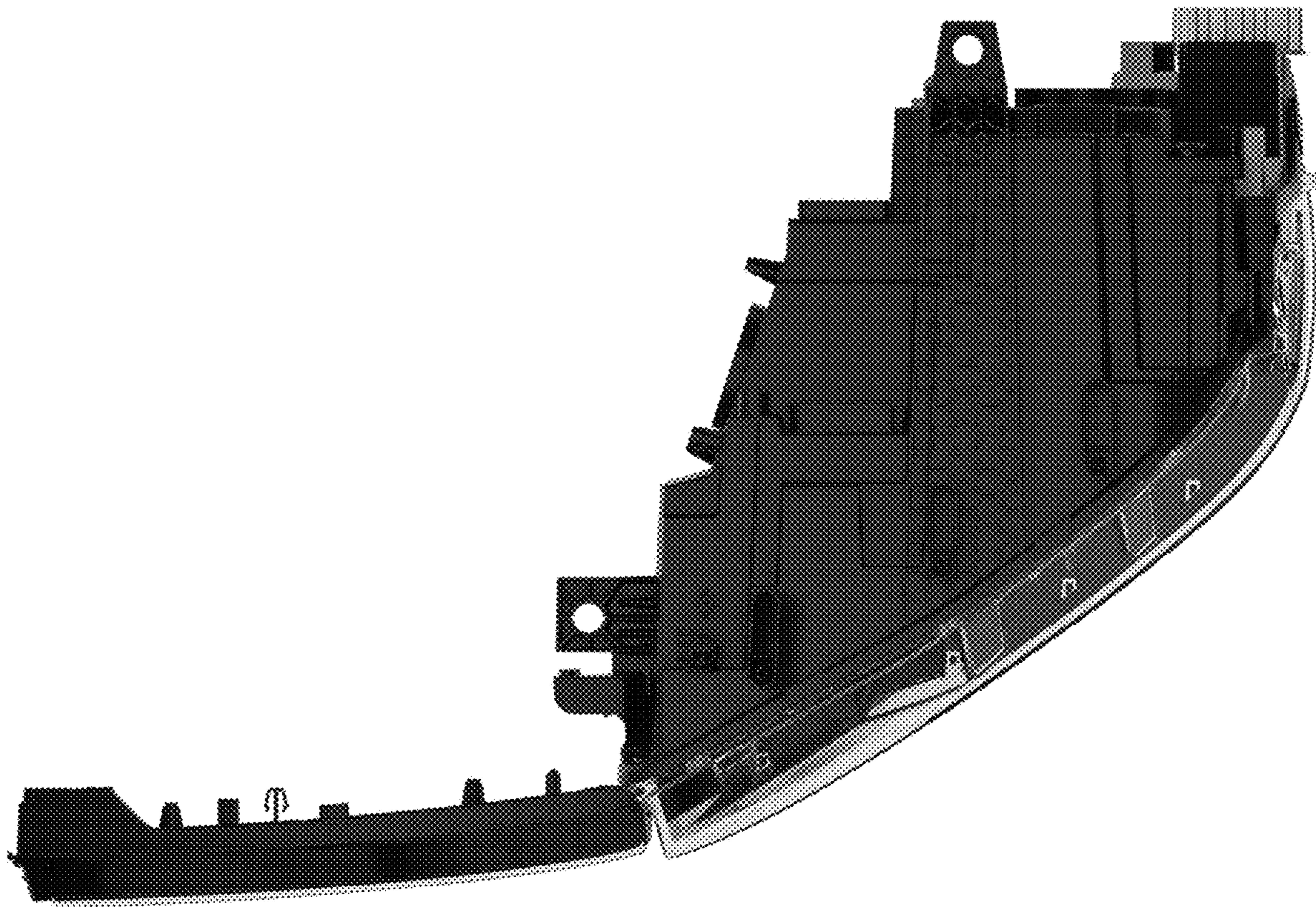


Fig. 14

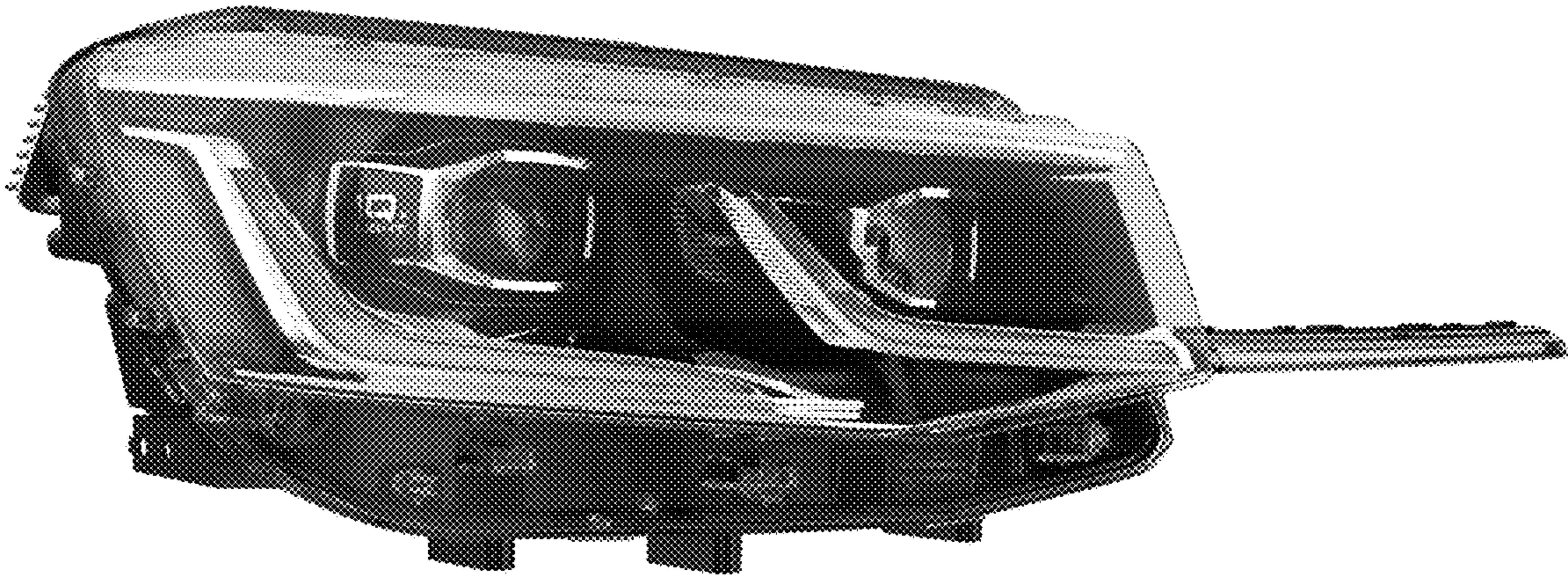


Fig. 15

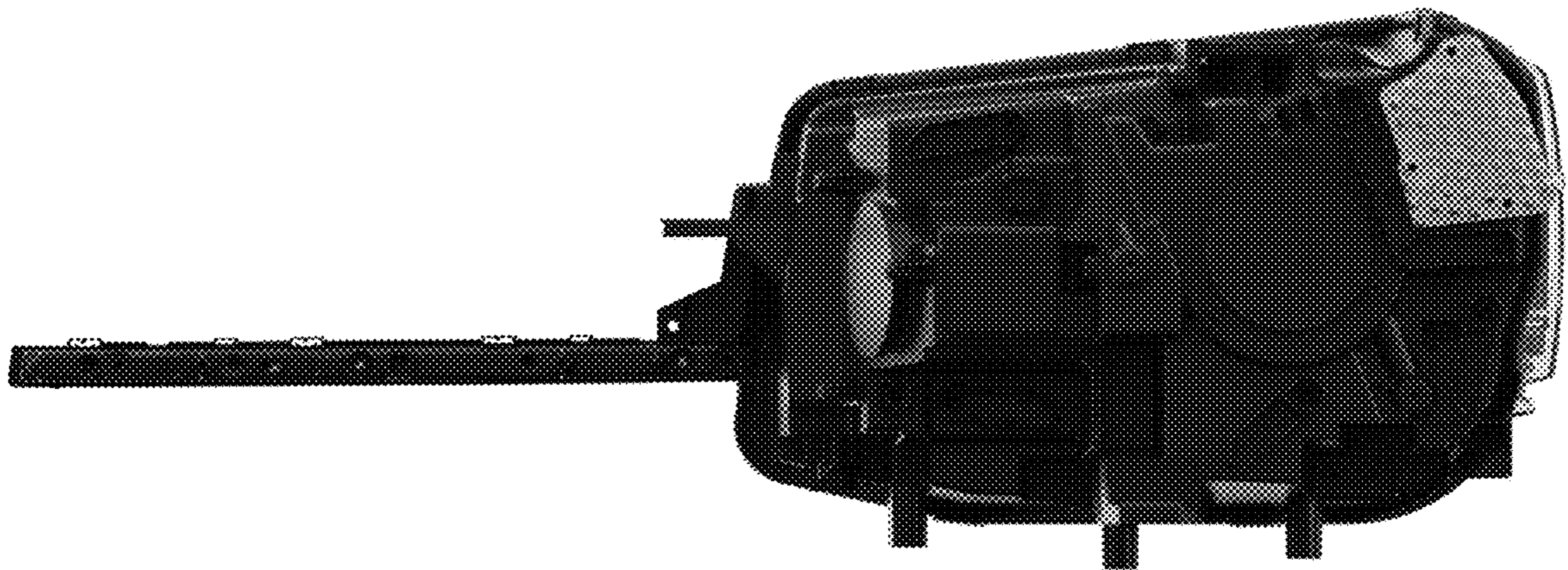


Fig. 16