



US00D987142S

(12) **United States Design Patent** (10) **Patent No.:** **US D987,142 S**
Li (45) **Date of Patent:** **** May 23, 2023**

(54) **RECTANGLE LED HEADLIGHT**
(71) Applicant: **Jianhai Li**, Guangdong (CN)
(72) Inventor: **Jianhai Li**, Guangdong (CN)
(**) Term: **15 Years**

(21) Appl. No.: **29/798,368**
(22) Filed: **Jul. 7, 2021**
(51) **LOC (14) Cl.** **26-06**
(52) **U.S. Cl.**
USPC **D26/28**
(58) **Field of Classification Search**
USPC D26/28, 29, 30, 31, 32, 33, 34, 35, 36,
D26/37, 60, 61, 63, 70; D12/181, 183,
D12/196, 400
CPC .. F21S 48/225; F21S 48/1266; F21S 48/1388;
F21S 43/237; F21S 43/15; F21S 43/00;
F21S 41/32; F21S 41/36; F21S 41/50;
F21S 41/26; F21S 41/00
See application file for complete search history.

(56) **References Cited**
U.S. PATENT DOCUMENTS

D798,475 S *	9/2017	Georgitsis	D26/28
D861,203 S *	9/2019	Peng	D26/28
D863,613 S *	10/2019	Korpi	D26/63
D863,617 S *	10/2019	Lindholm	D26/63
D866,818 S *	11/2019	Lindholm	D26/63
D867,629 S *	11/2019	Renvall	D26/63

D872,920 S *	1/2020	Korpi	D26/63
D905,300 S *	12/2020	Hu	D26/28
D922,620 S *	6/2021	Yang	D26/28
D934,460 S *	10/2021	Hu	D26/28
D939,109 S *	12/2021	Ko	D26/28
D939,739 S *	12/2021	Ko	D26/28
D963,215 S *	9/2022	Zhang	D26/28
D964,605 S *	9/2022	Zhao	D26/28

* cited by examiner

Primary Examiner — Sheryl Lane
Assistant Examiner — Kathryn Elizabeth Chambers
(74) *Attorney, Agent, or Firm* — ScienBiziP, P.C.

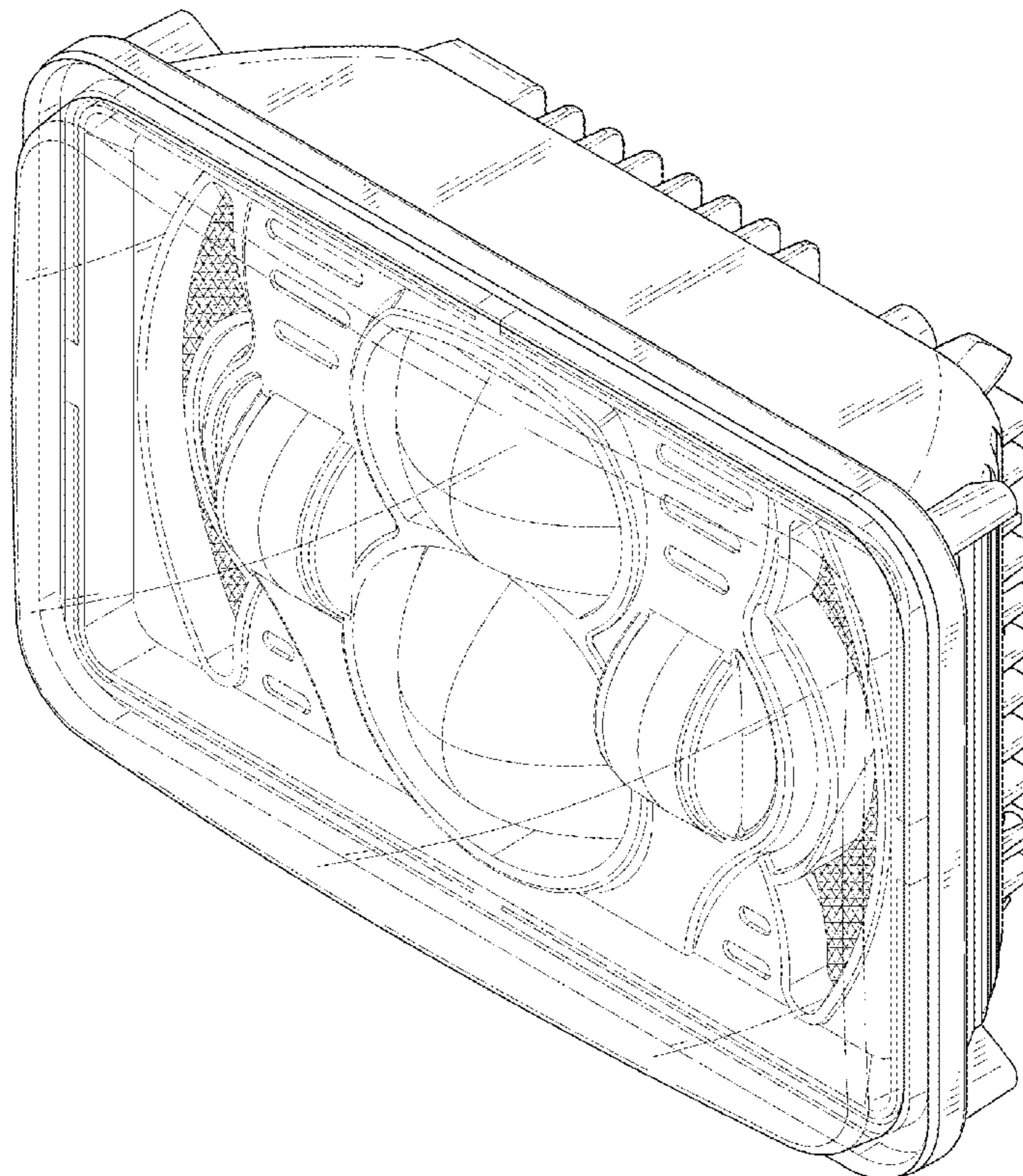
(57) **CLAIM**

The ornamental design for a rectangle LED headlight, as shown and described.

DESCRIPTION

FIG. 1 is a front, right, and top perspective view of a rectangle LED headlight, showing my design.
FIG. 2 is a rear, left, and bottom perspective view thereof.
FIG. 3 is a front elevation view thereof.
FIG. 4 is a rear elevation view thereof.
FIG. 5 is a left side elevation view thereof.
FIG. 6 is a right side elevation view thereof.
FIG. 7 is a top plan view thereof; and,
FIG. 8 is a bottom plan view thereof.
The broken lines shown in the drawings are included for the purpose of illustrating portions of the rectangle LED headlight that form no part of the claimed design.

1 Claim, 8 Drawing Sheets



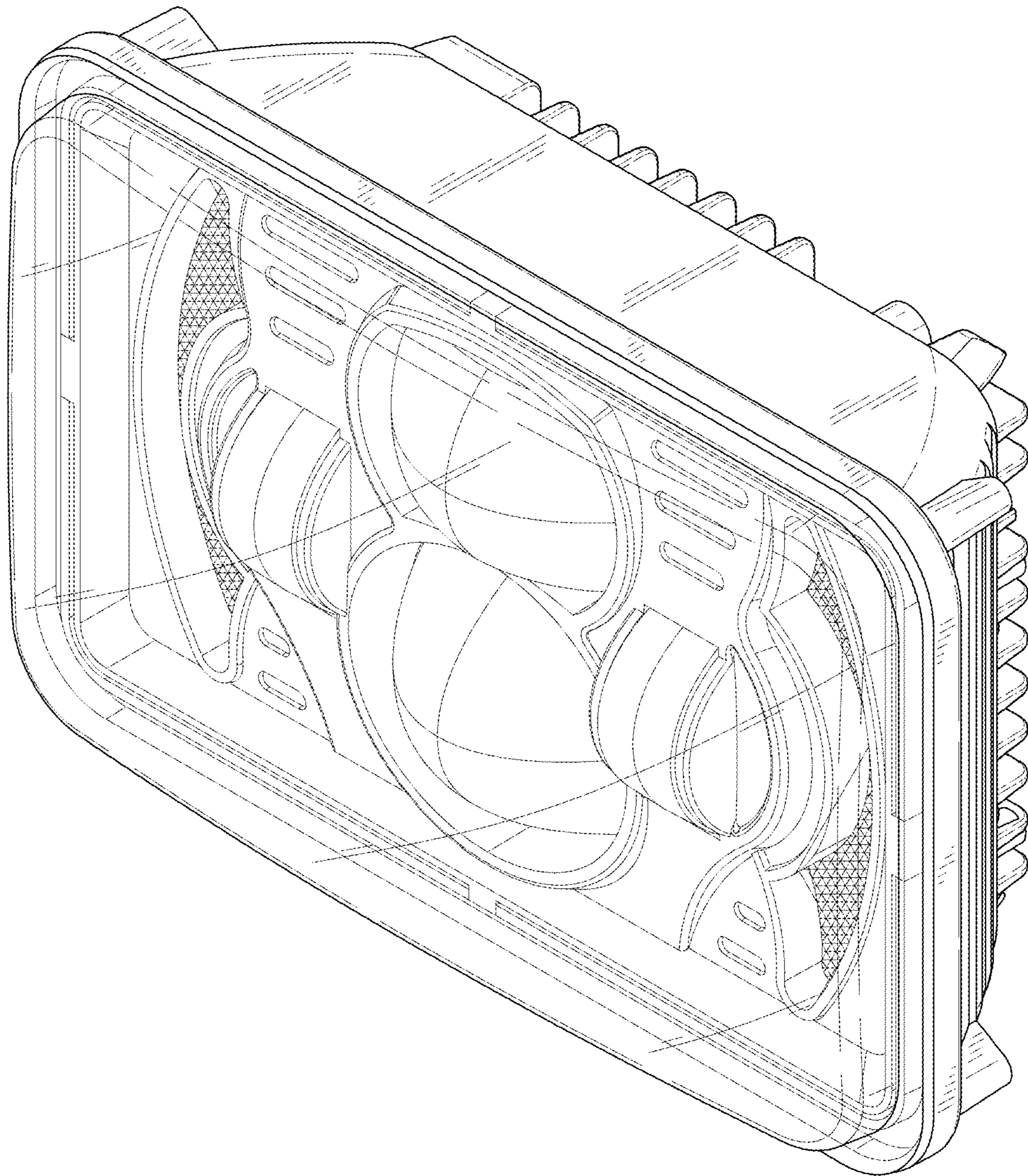


FIG. 1

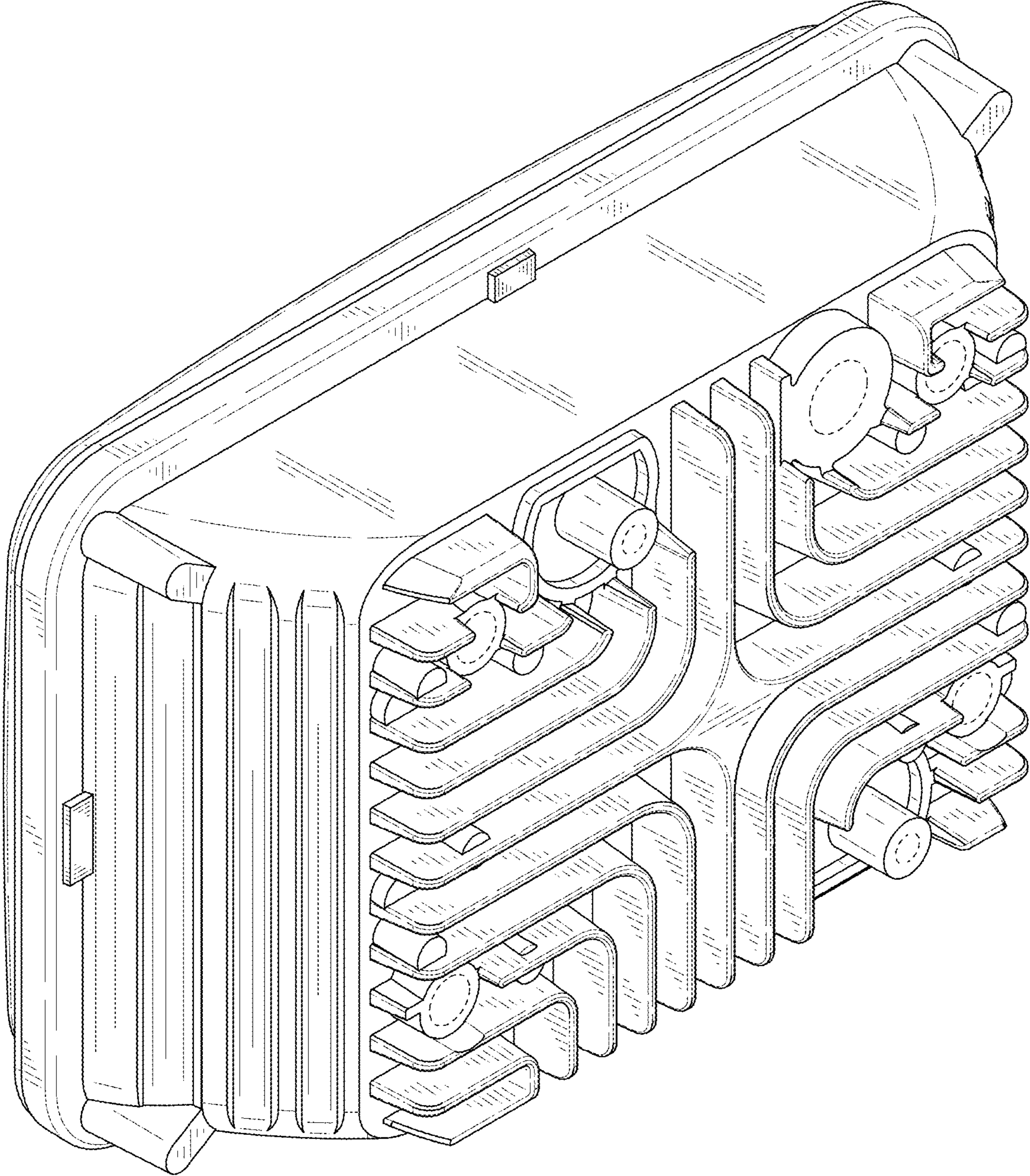


FIG. 2

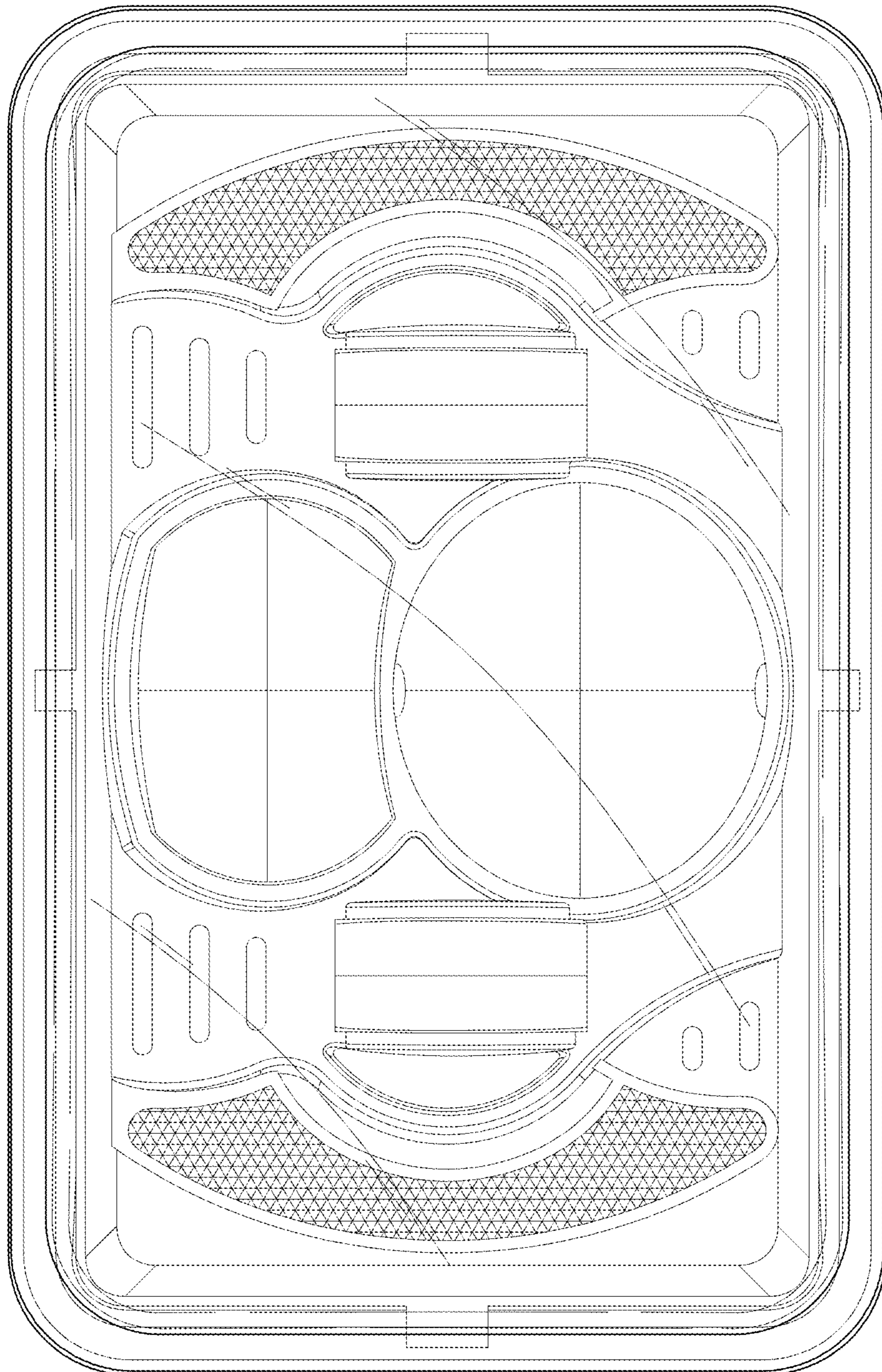


FIG. 3

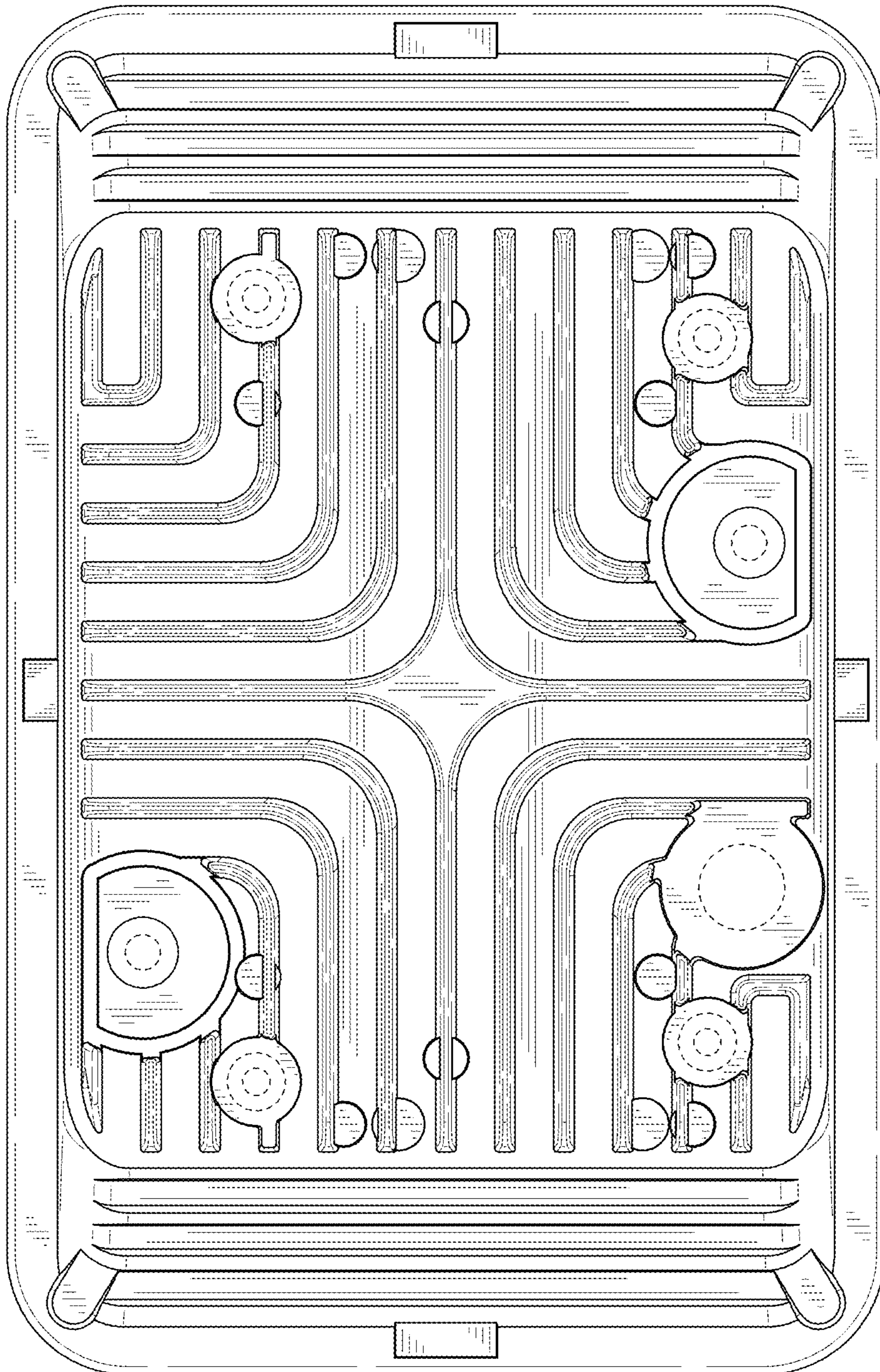


FIG. 4

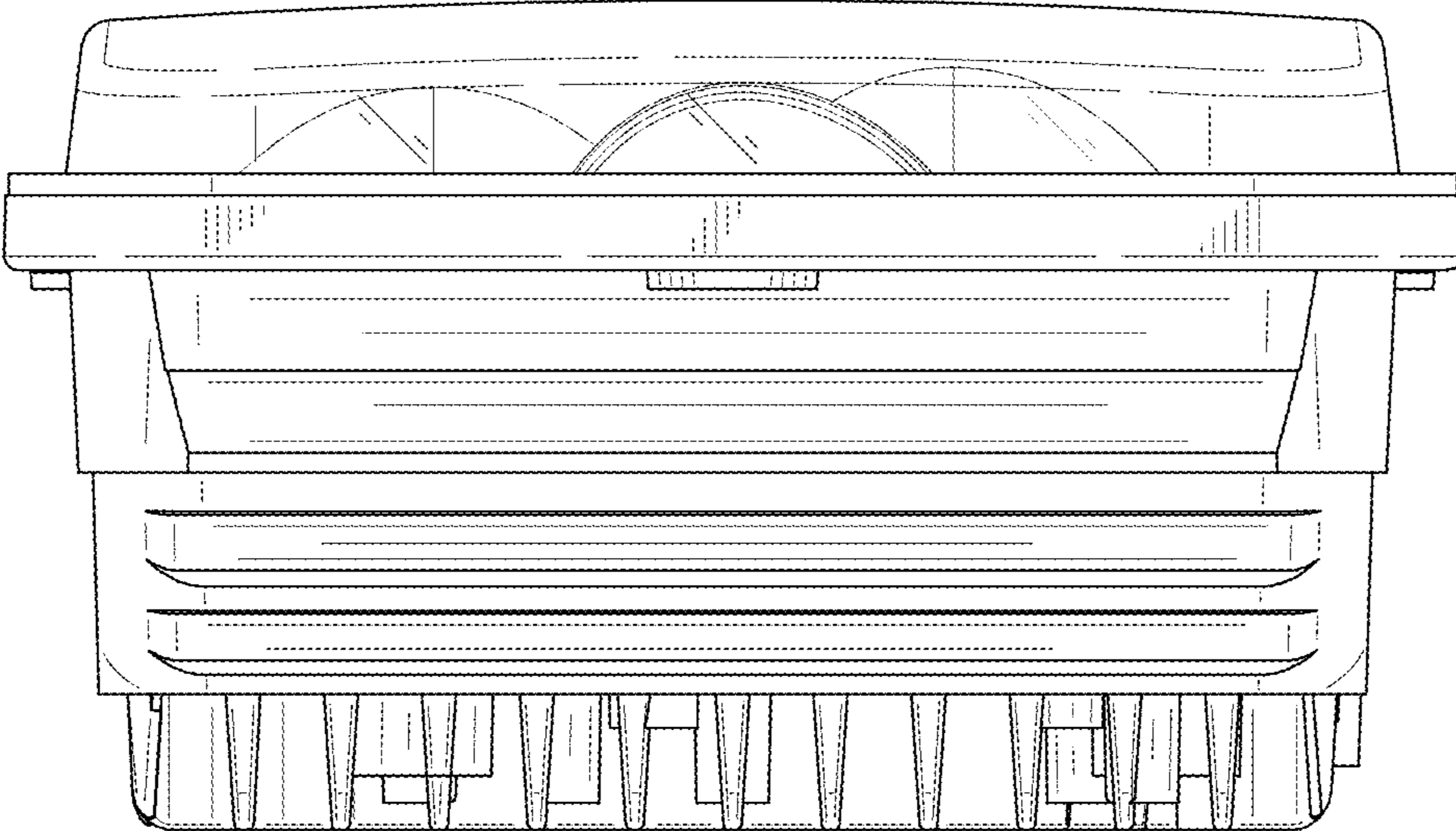


FIG. 5

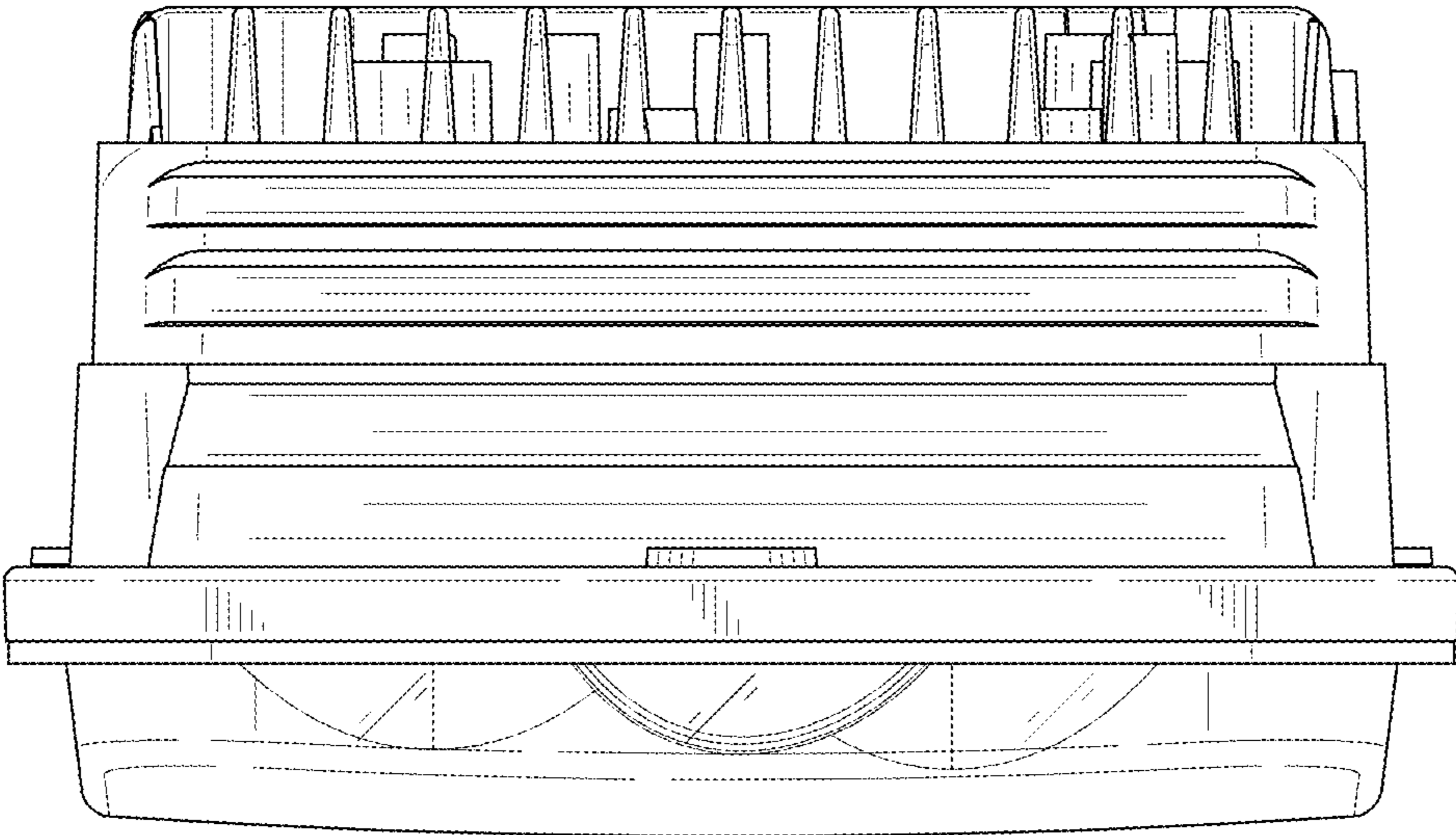


FIG. 6

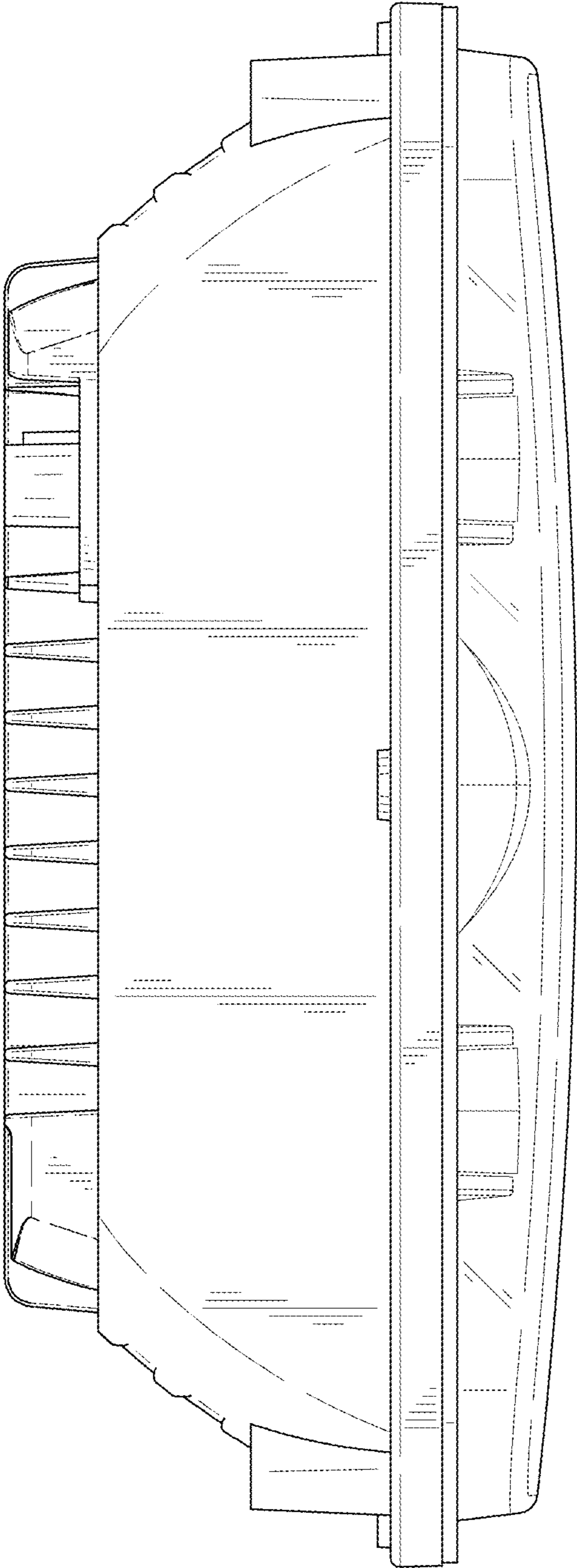


FIG. 7

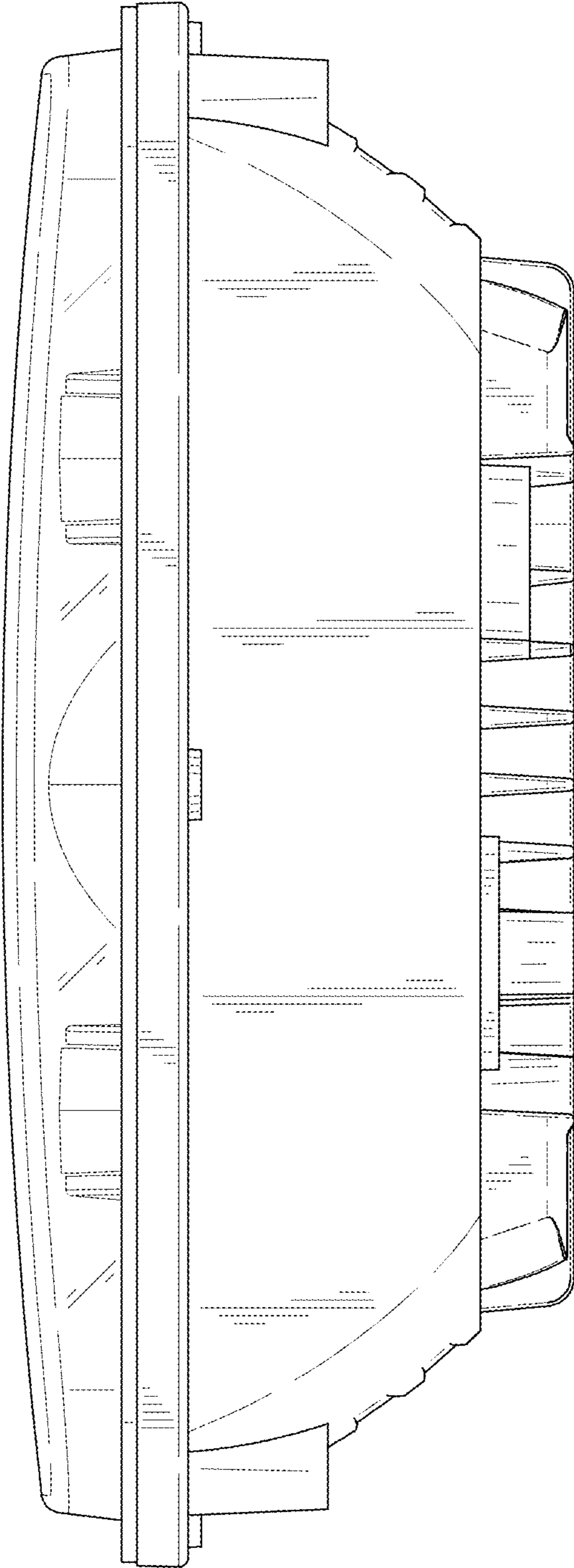


FIG. 8