



US00D987140S

(12) **United States Design Patent** (10) **Patent No.:** **US D987,140 S**
Wu (45) **Date of Patent:** **** *May 23, 2023**

- (54) **LAMP COVER**
- (71) Applicant: **COPLUS INC.**, Tainan (TW)
- (72) Inventor: **Po-Hua Wu**, Tainan (TW)
- (73) Assignee: **COPLUS INC.**, Tainan (TW)

(*) Notice: This patent is subject to a terminal disclaimer.

(**) Term: **15 Years**

(21) Appl. No.: **29/787,819**

(22) Filed: **Jun. 9, 2021**

(51) **LOC (14) Cl.** **26-06**

(52) **U.S. Cl.**
USPC **D26/139; D26/28**

(58) **Field of Classification Search**
USPC D26/28, 29, 30, 31, 32, 33, 34, 35, 36,
D26/139

CPC .. F21S 41/00; F21S 41/20; F21S 41/19; F21S
41/50; F21S 41/55; F21S 43/50; F21S
43/00; F21S 43/15; F21W 2104/00;
F21W 2103/35

See application file for complete search history.

(56) **References Cited**

U.S. PATENT DOCUMENTS

- D494,706 S * 8/2004 Tsai D26/139
- D544,141 S * 6/2007 Elwell D26/139
- D544,642 S * 6/2007 Elwell D26/139
- D571,500 S * 6/2008 Lin D26/139
- D632,424 S * 2/2011 Fesler D26/139

- D696,453 S * 12/2013 Conway D26/139
- D865,274 S * 10/2019 Yu D26/139
- D875,279 S * 2/2020 Razaghi D26/28
- D890,388 S * 7/2020 Wu D26/28
- D912,305 S * 3/2021 Langhals D26/139
- D932,670 S * 10/2021 Wu D26/28
- D956,283 S * 6/2022 Davis D26/28
- D959,712 S * 8/2022 Yang D26/28
- D959,713 S * 8/2022 Yang D26/28

* cited by examiner

Primary Examiner — Angela J Lee

Assistant Examiner — Anthony Vincent Rotolo

(74) *Attorney, Agent, or Firm* — CKC & Partners Co., LLC

(57) **CLAIM**

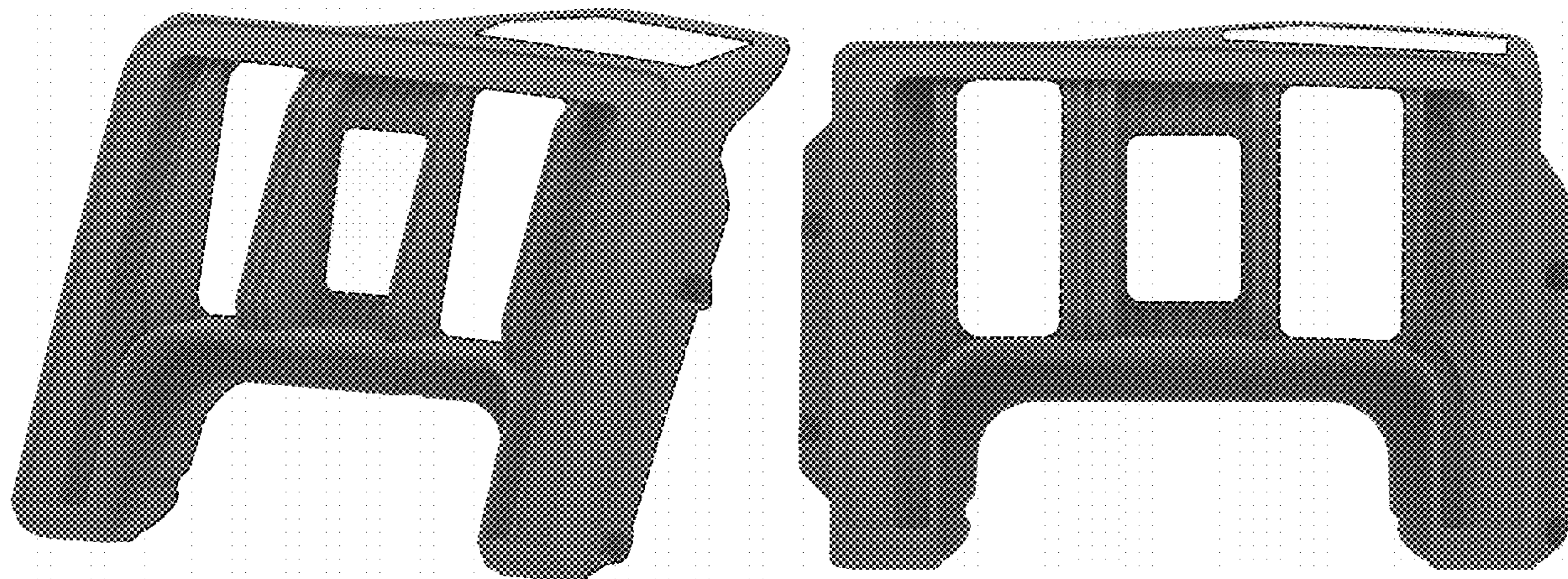
The ornamental design for a lamp cover, as shown and described.

DESCRIPTION

FIG. 1 is a front, top, right perspective view of a lamp cover, showing the claimed design;
FIG. 2 is a front elevational view thereof;
FIG. 3 is a rear elevational view thereof;
FIG. 4 is a left side elevational view thereof;
FIG. 5 is a right side elevational view thereof;
FIG. 6 is a top plan view thereof; and,
FIG. 7 is a bottom plan view thereof.

The broken lines in the drawings illustrate portions of the lamp cover which form no part of the claimed design. Shading is used to illustrate the curvature of the part and not color. The claimed design is indicated by the relatively dark portions in the drawings, while the relatively light portions are environmental and form no part of the claimed design.

1 Claim, 7 Drawing Sheets



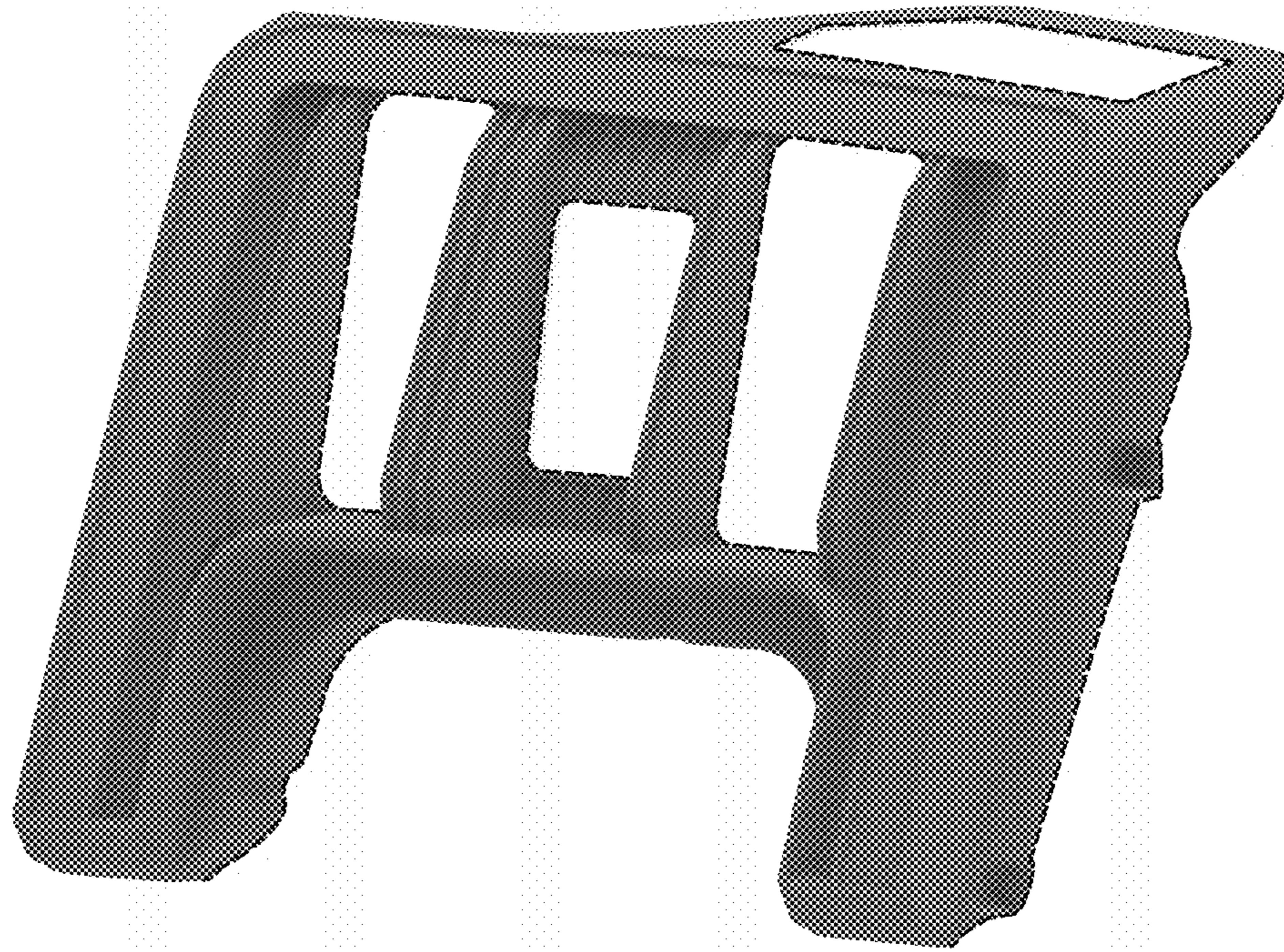


Fig. 1

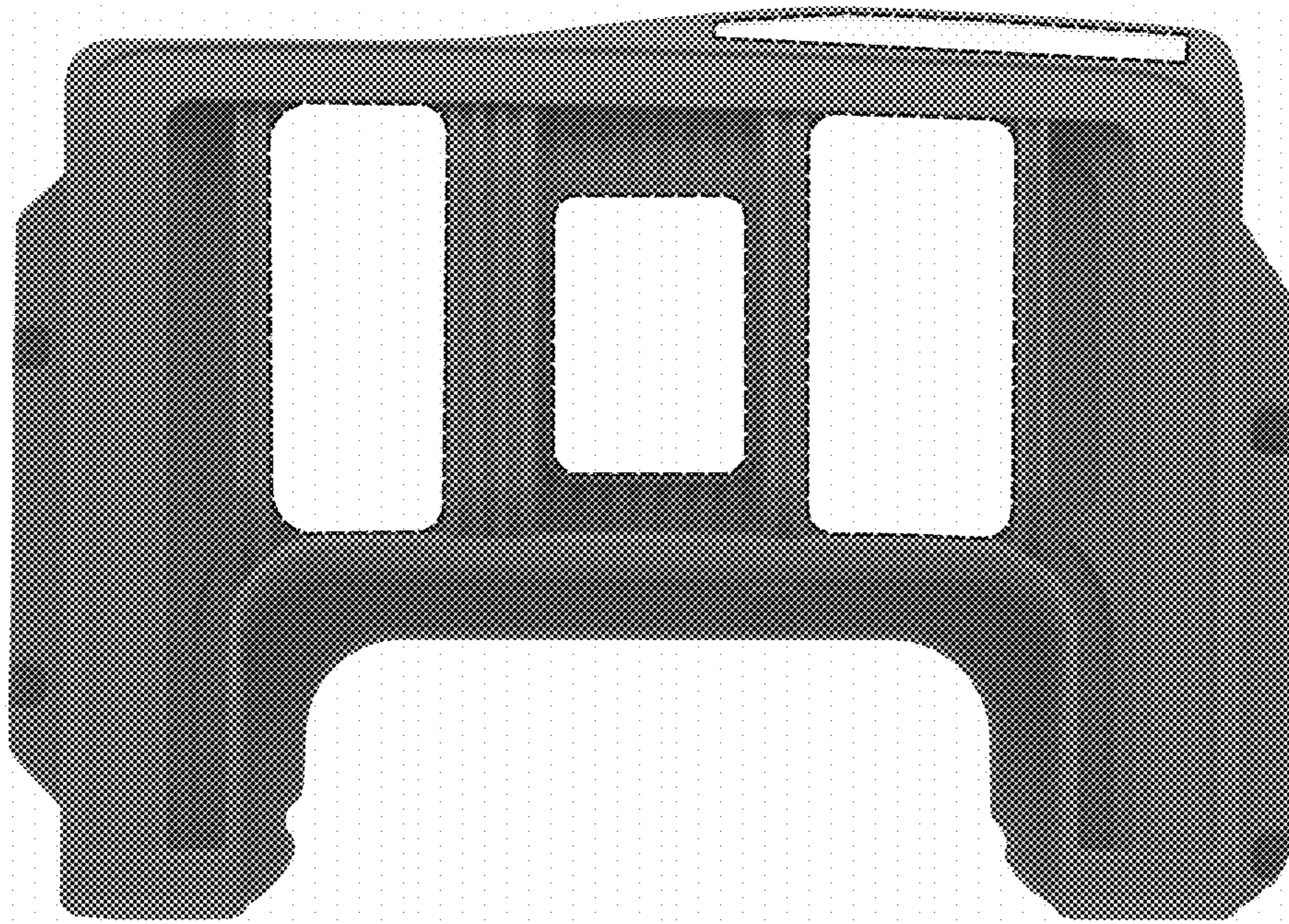


Fig. 2

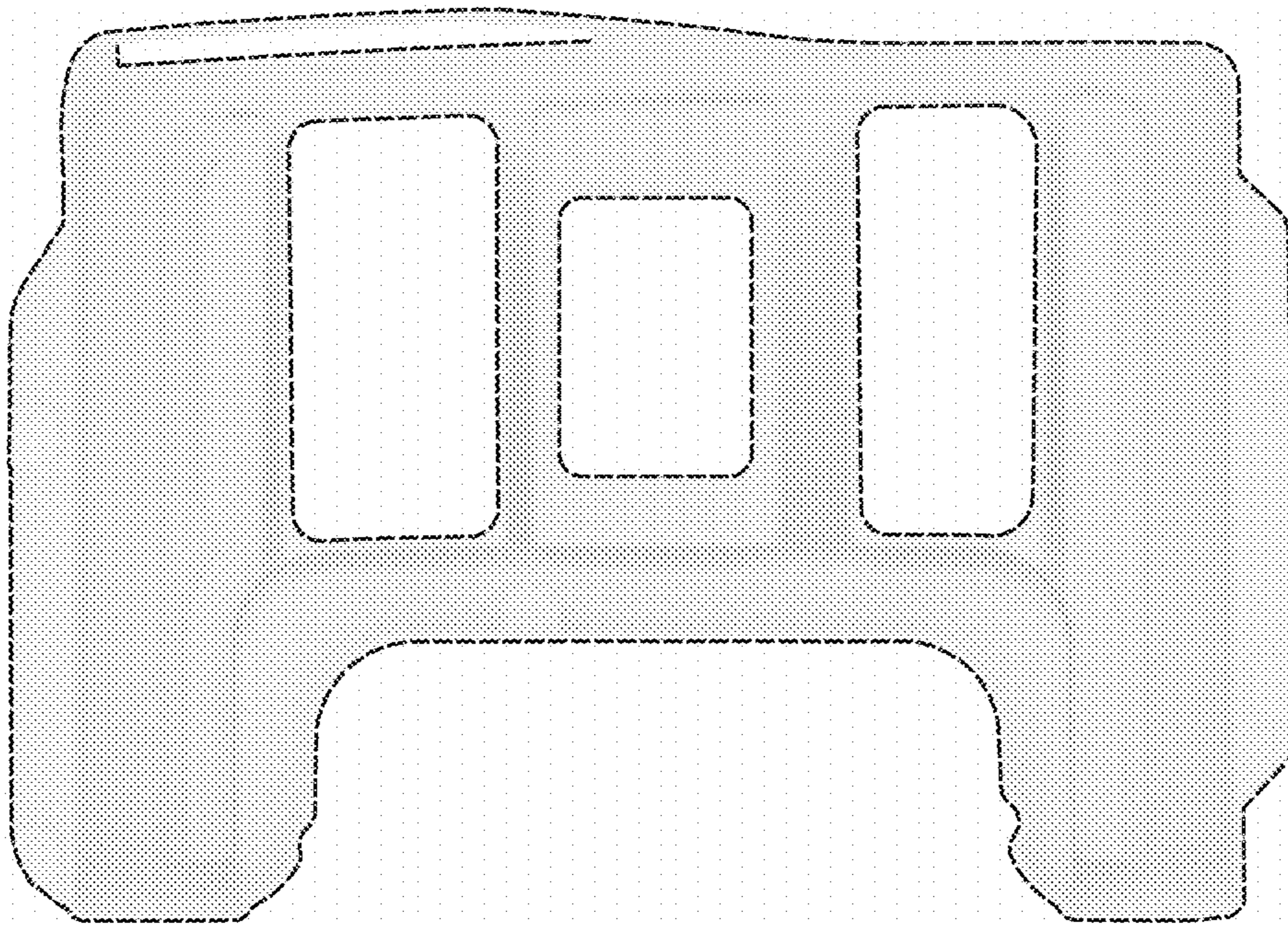


Fig. 3

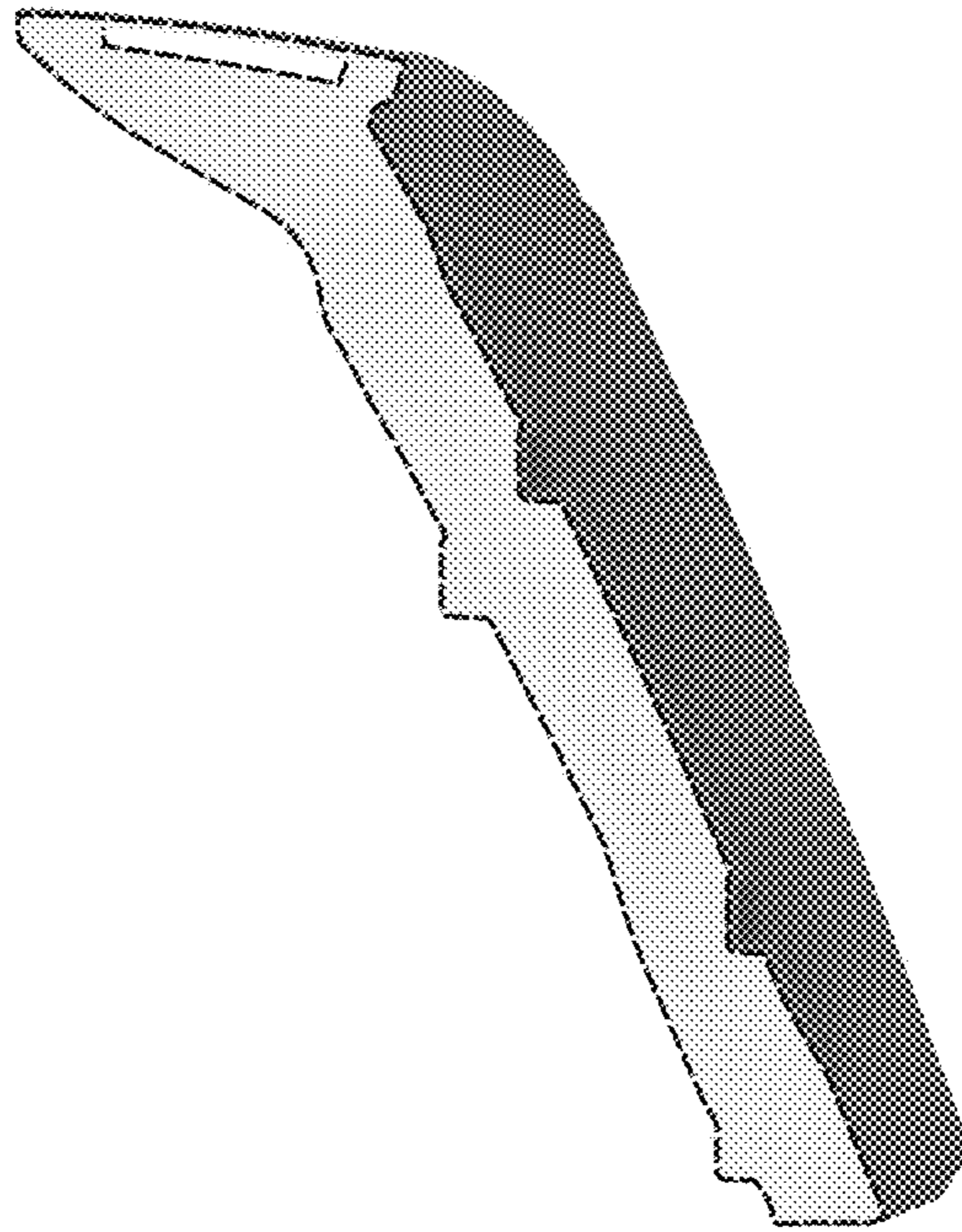


Fig. 4

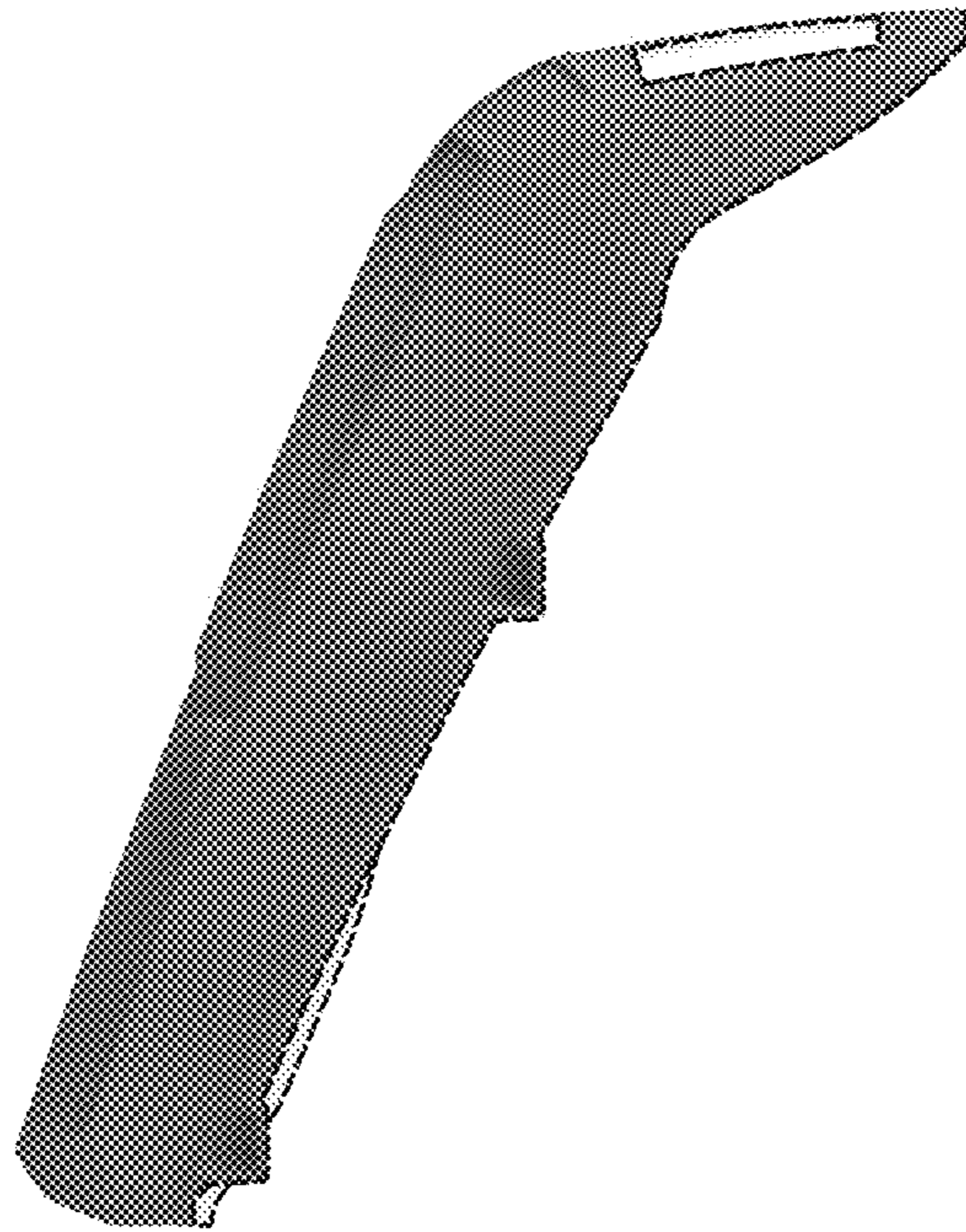


Fig. 5

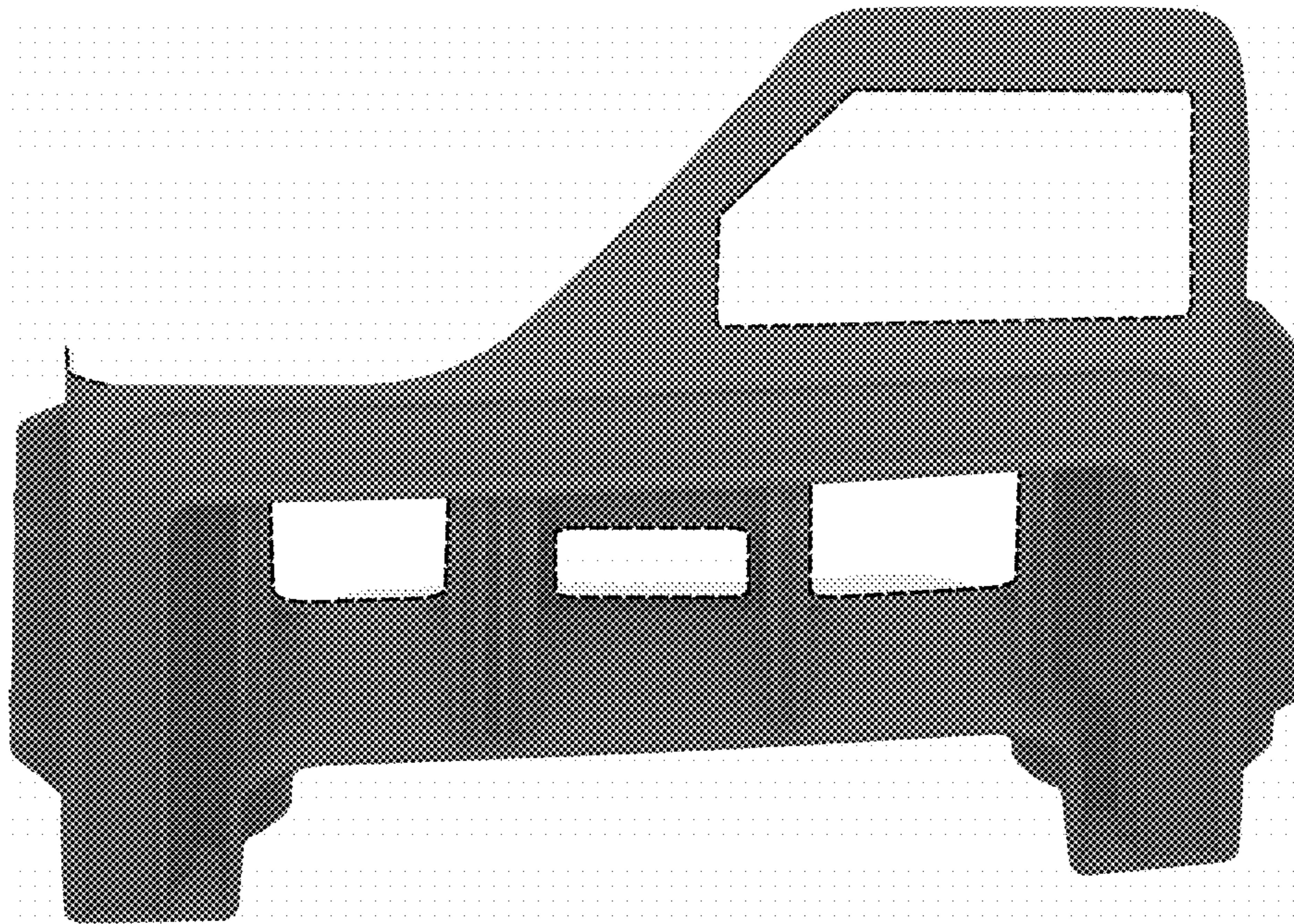


Fig. 6

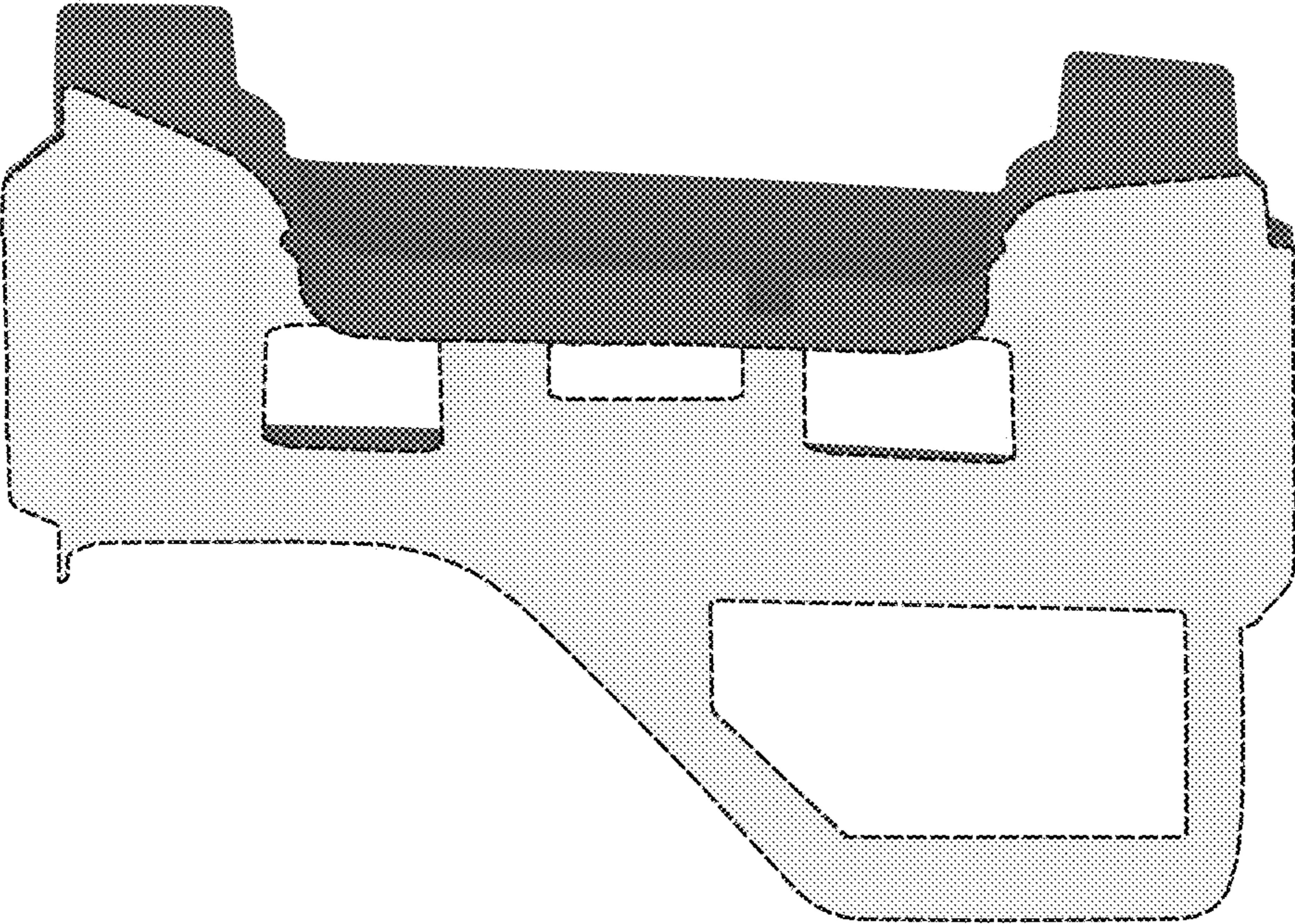


Fig.7