



US00D987138S

(12) **United States Design Patent** (10) **Patent No.:** **US D987,138 S**
Lee (45) **Date of Patent:** **** May 23, 2023**

(54) **REAR LIGHT FOR BICYCLE**
(71) Applicant: **Wen-Sung Lee**, Taichung (TW)
(72) Inventor: **Wen-Sung Lee**, Taichung (TW)
(**) Term: **15 Years**
(21) Appl. No.: **29/760,516**
(22) Filed: **Dec. 2, 2020**
(51) **LOC (14) Cl.** **26-06**
(52) **U.S. Cl.**
USPC **D26/28**
(58) **Field of Classification Search**
USPC D26/28, 29, 30, 31, 32, 33, 34, 35, 36,
D26/37, 2, 122, 123, 39, 24, 25, 26, 113,
D26/120, 110; D12/181, 183, 196, 400,
D12/107
CPC F21S 48/225; F21S 48/1266; F21S 48/10;
F21S 48/00; F21S 48/1388; F21S 43/237;
F21S 43/15; F21S 43/00; F21S 41/32;
F21S 41/36; F21S 41/50; F21S 41/26;
F21S 41/00; F21L 4/005; F21L 4/27;
F21V 17/12; F21V 23/06; F21V 21/02;
B62K 21/10; B62K 21/16
See application file for complete search history.

D913,540 S * 3/2021 Maxey D26/28
D928,998 S * 8/2021 Korpi D26/24
D929,006 S * 8/2021 Yan D26/39
D933,862 S * 10/2021 Korpi D26/24
D952,919 S * 5/2022 Jegal D26/28
D963,909 S * 9/2022 Lu D26/39
D972,753 S * 12/2022 Lin D26/28

OTHER PUBLICATIONS

BikeSpark Auto-Sensing Rear Light, dated Jul. 19, 2021, [online], [site visited Mar. 21, 2023]. Available from Internet, URL: <https://www.amazon.com/BikeSpark-Auto-Sensing-G4R-USB-Rechargeable-Sensing/dp/B0991V426W/> (Year: 2021).*

* cited by examiner

Primary Examiner — Sheryl Lane
Assistant Examiner — Kathryn Elizabeth Chambers

(57) **CLAIM**

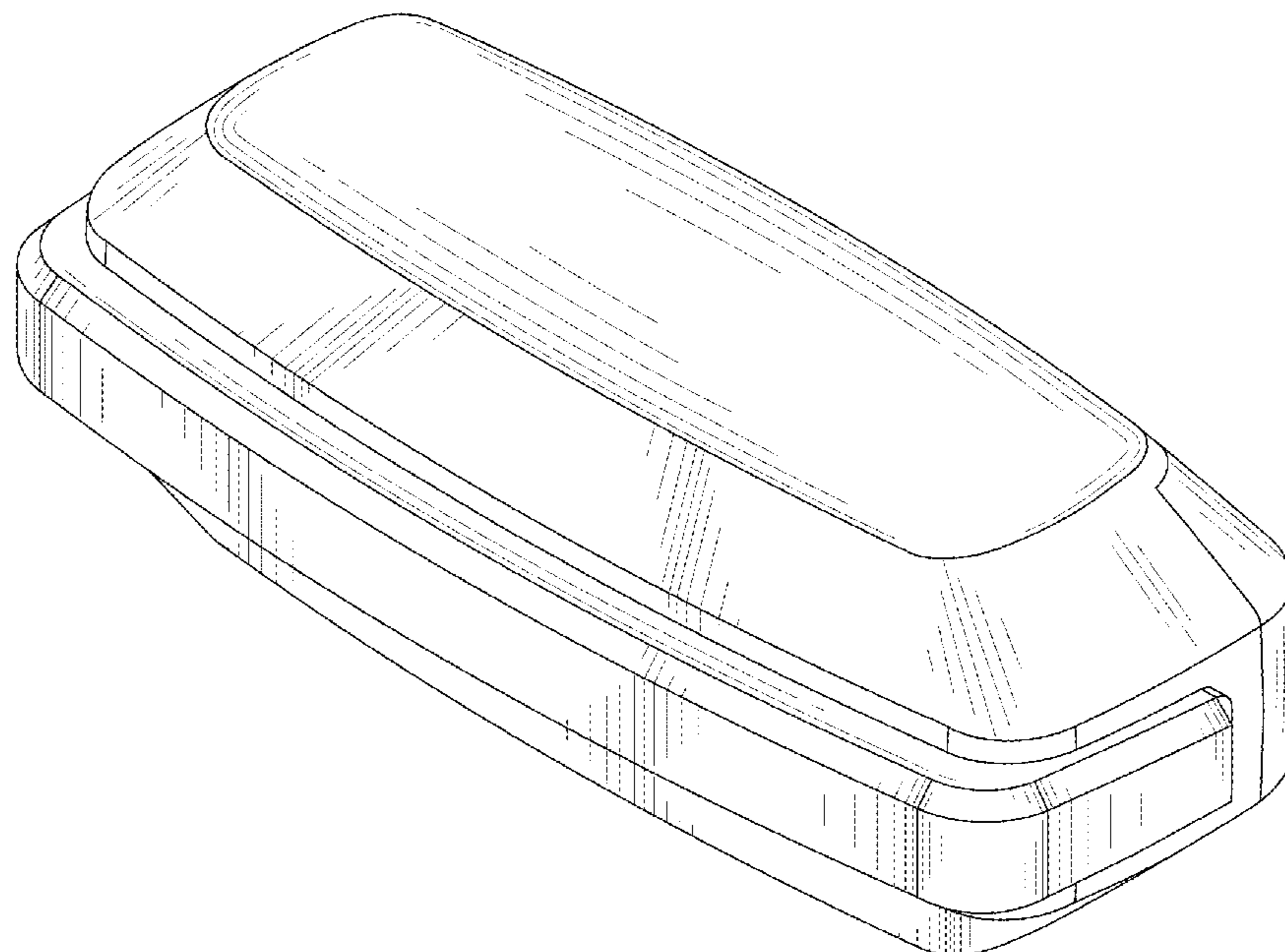
The ornamental design for a rear light for bicycle, as shown and described.

DESCRIPTION

FIG. 1 is a front-right-top perspective view of the rear light for bicycle showing my new design;
FIG. 2 is a front elevational view thereof;
FIG. 3 is a rear front elevational view thereof;
FIG. 4 is a left side elevational view thereof;
FIG. 5 is a right side elevational view thereof;
FIG. 6 is a top plan view thereof;
FIG. 7 is a bottom plan view thereof;
FIG. 8 is a perspective view from another angle of view thereof; and,
FIG. 9 is a perspective view from the other angle of view thereof.

1 Claim, 9 Drawing Sheets

(56) **References Cited**
U.S. PATENT DOCUMENTS
D756,550 S * 5/2016 Sedler D26/28
D776,847 S * 1/2017 Wolff D26/28
D778,470 S * 2/2017 Ito D26/28
D796,096 S * 8/2017 Rudwal D12/107
D843,618 S * 3/2019 Sibitzky D26/28
D880,027 S * 3/2020 Horn D26/28
D887,597 S * 6/2020 Yeh D26/31
D904,654 S * 12/2020 Horn D26/28
D913,539 S * 3/2021 Maxey D26/28



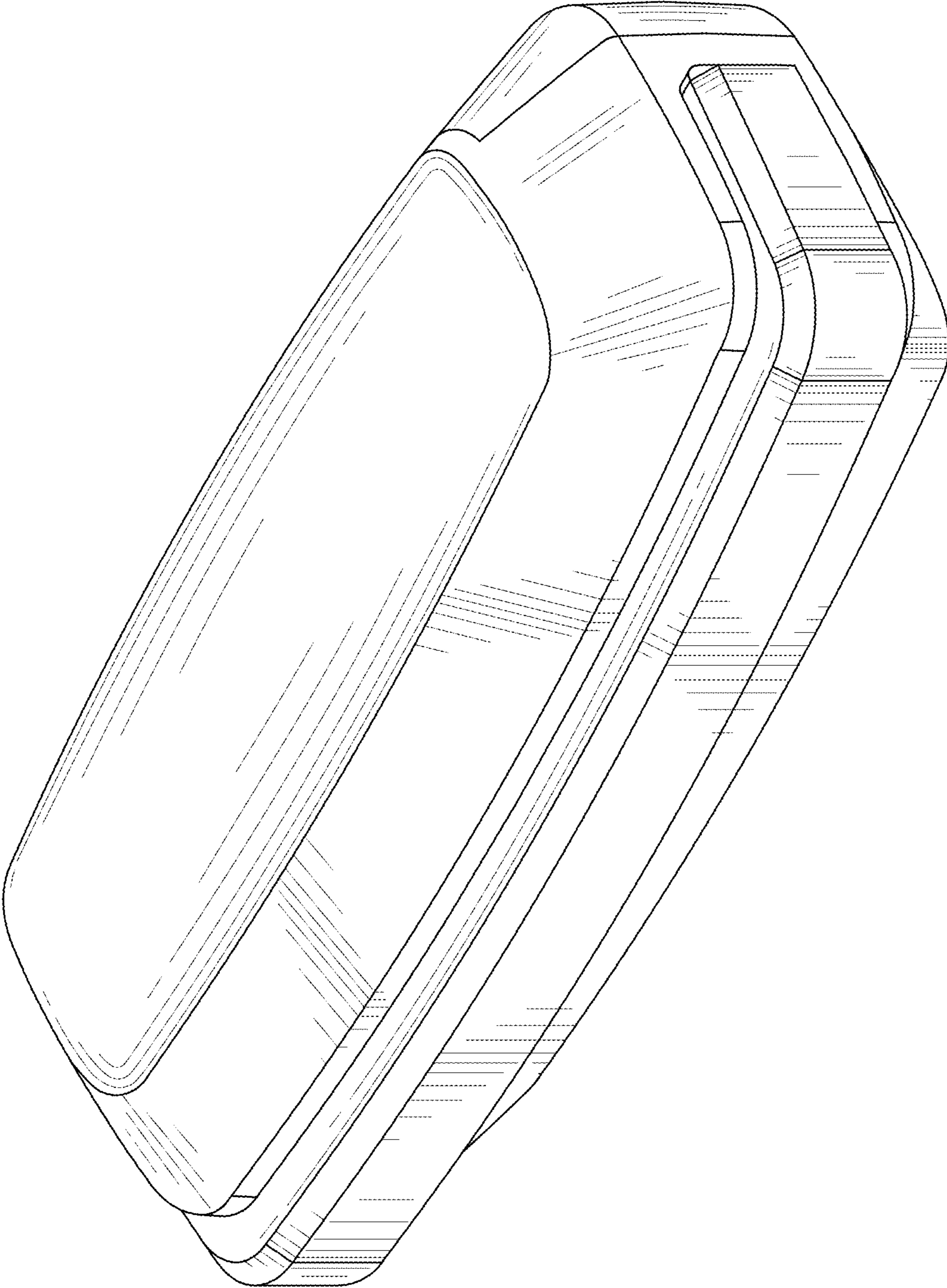


FIG. 1

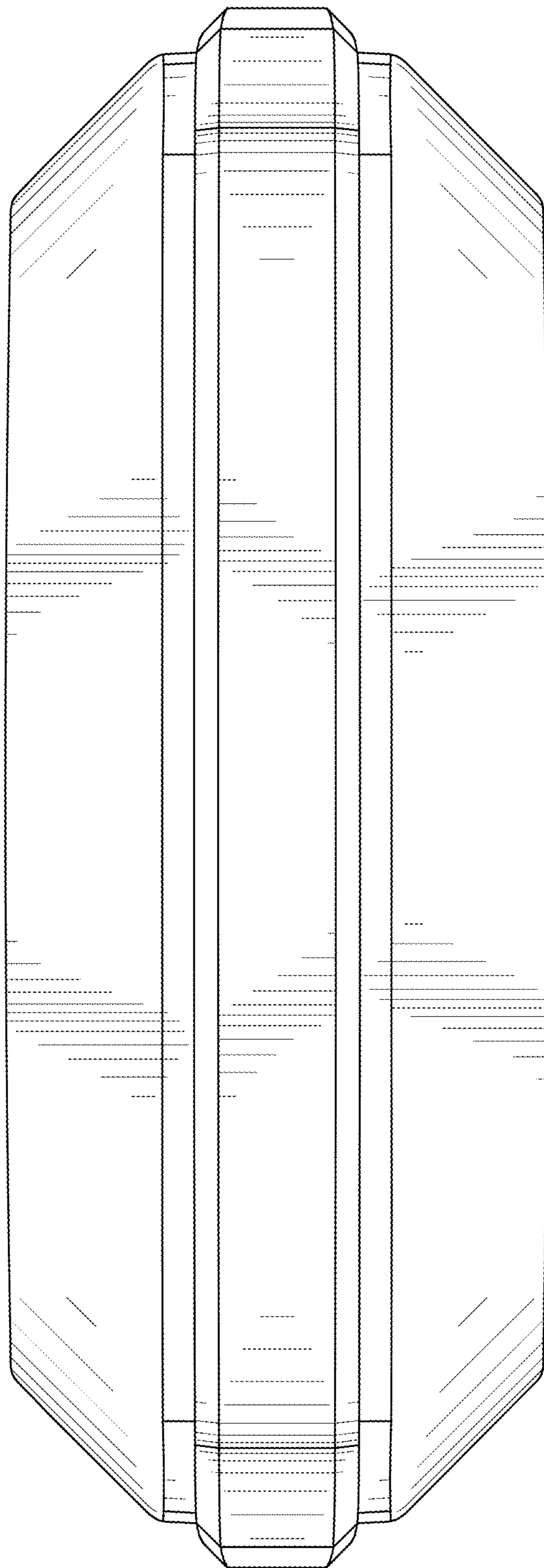


FIG.2

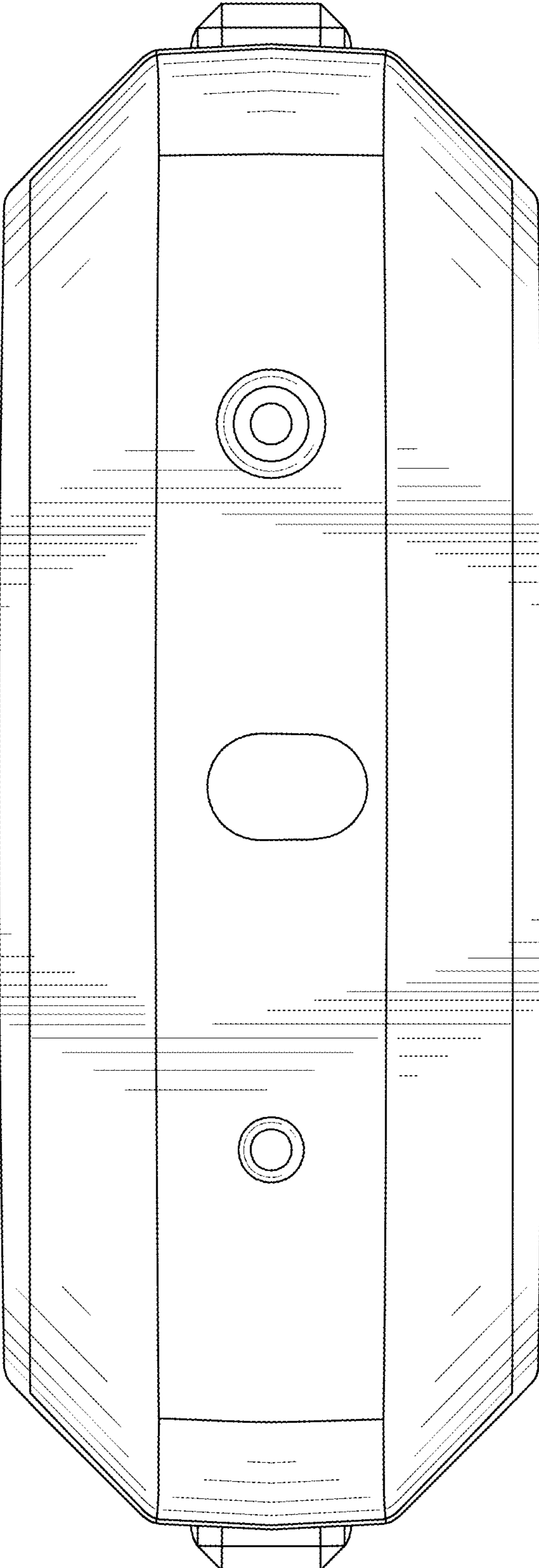


FIG.3

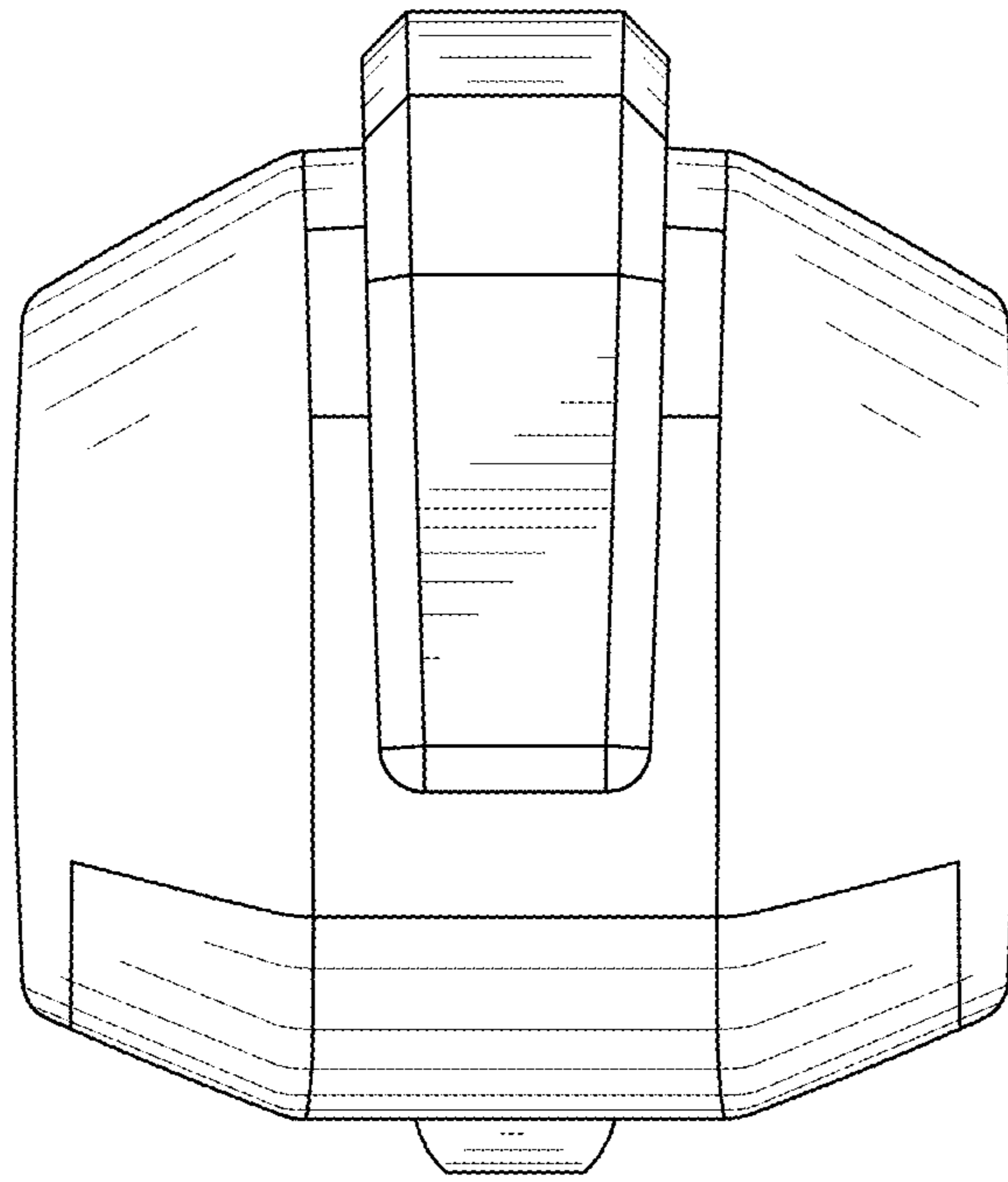


FIG.4

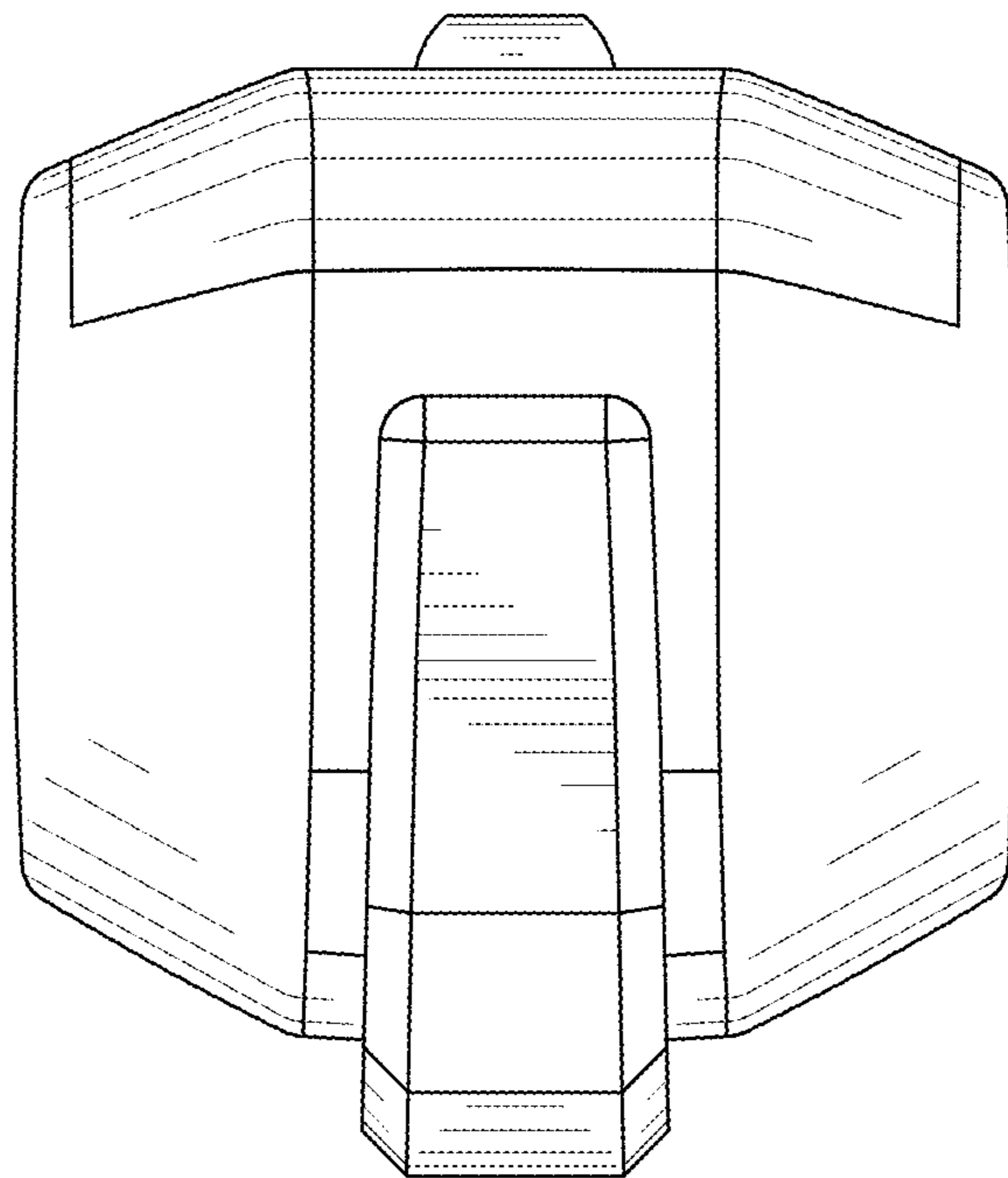


FIG. 5

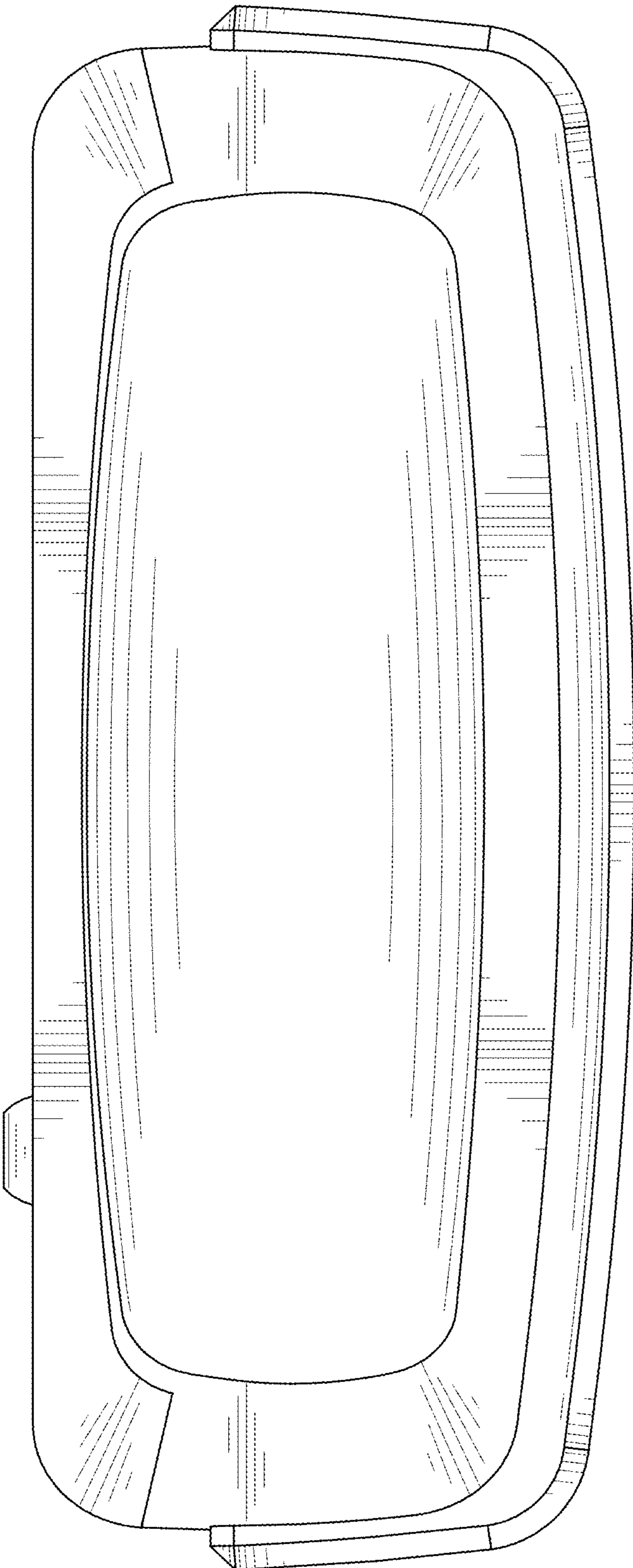


FIG.6

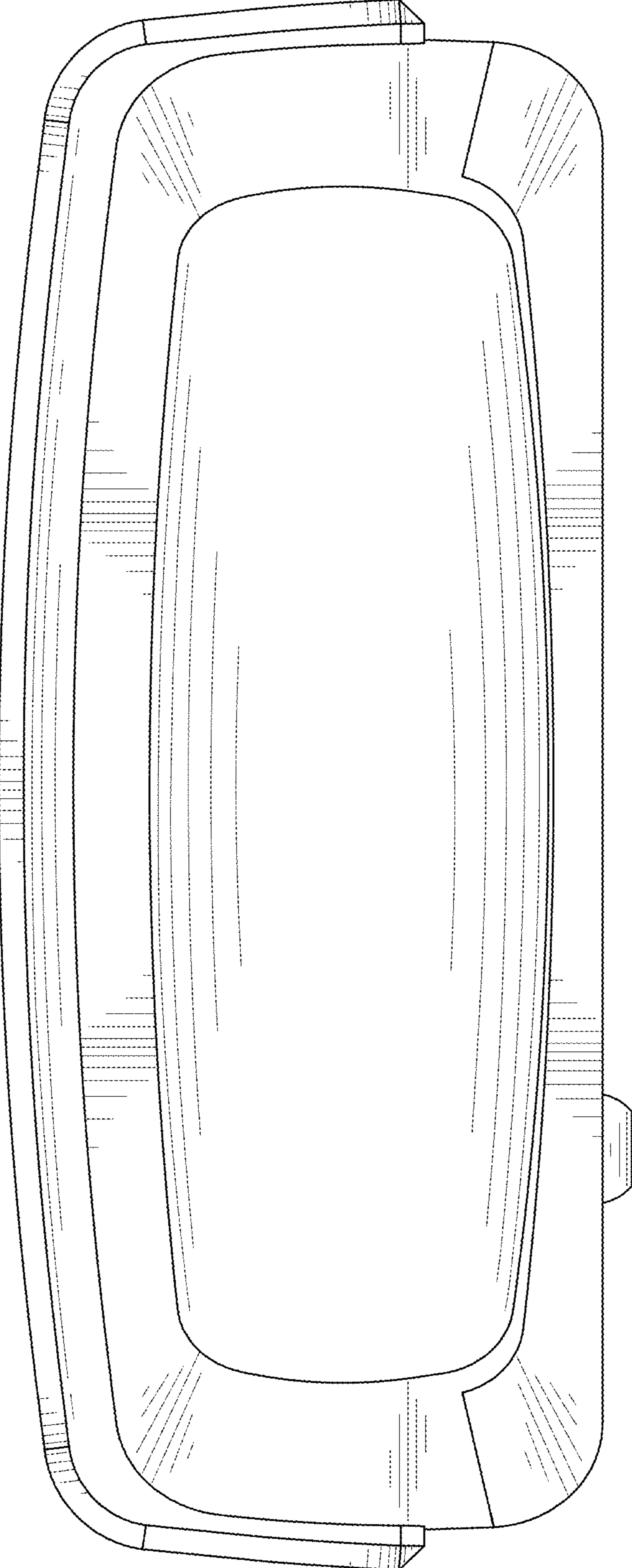


FIG.7

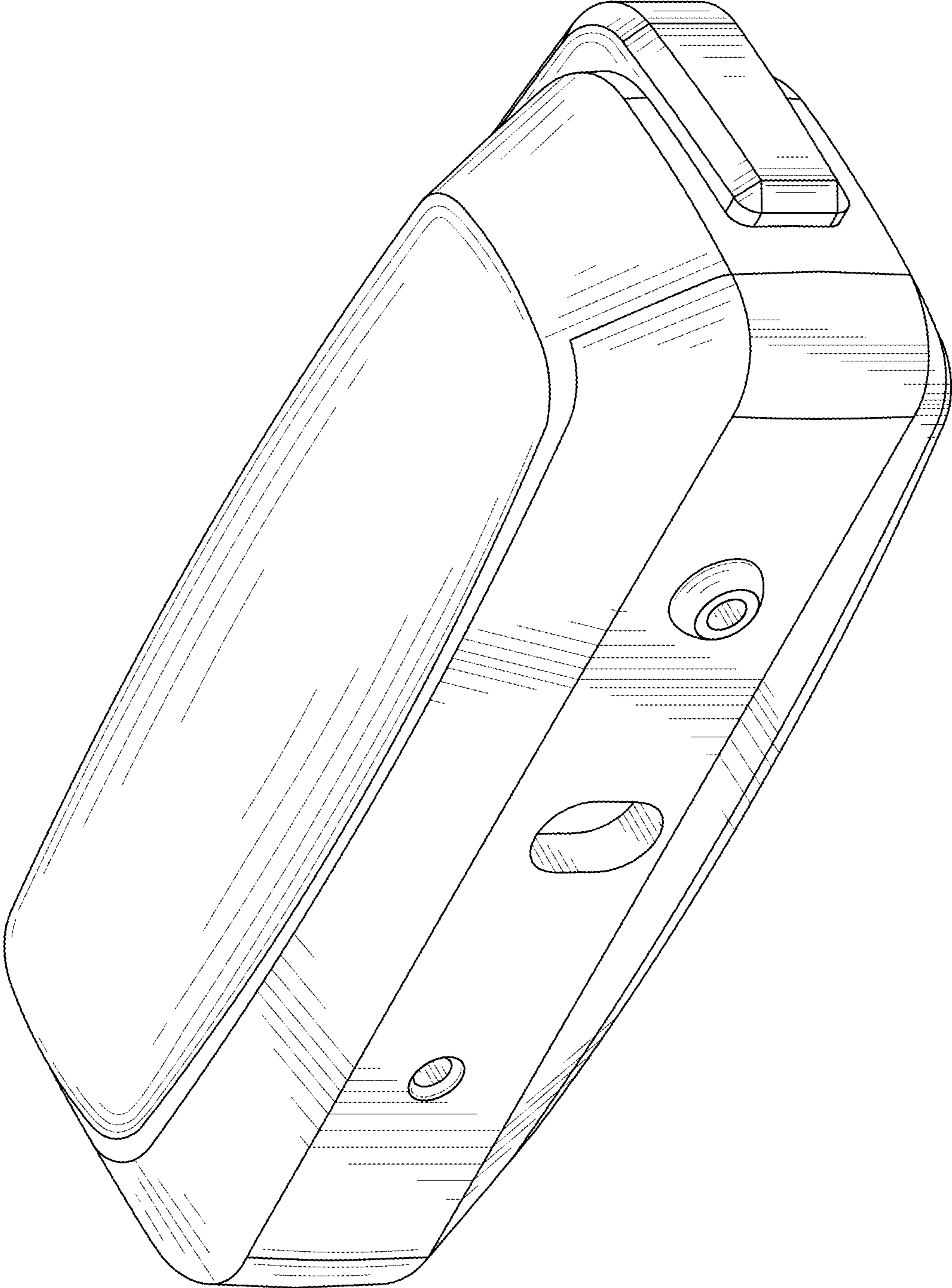


FIG.8

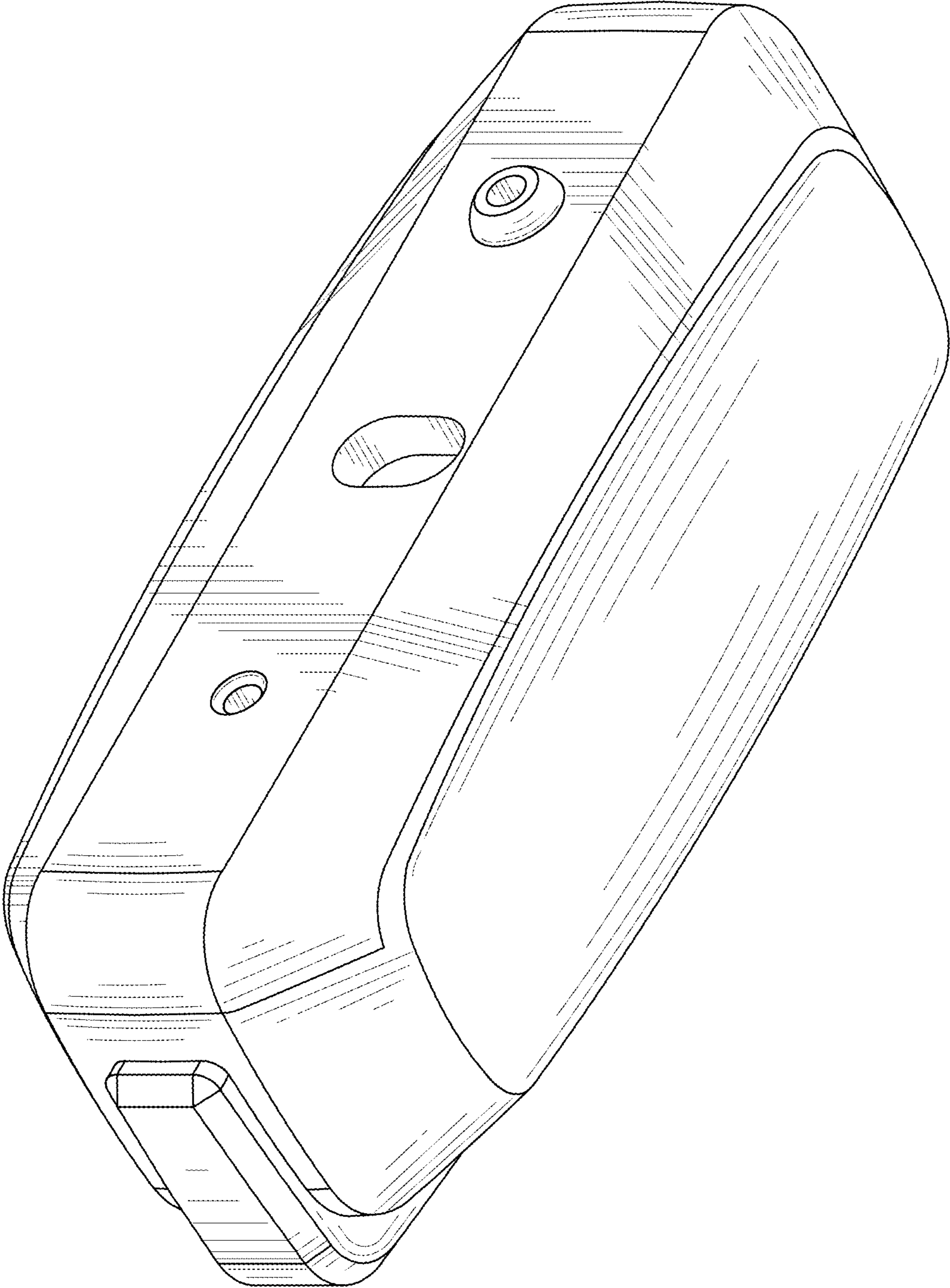


FIG.9