



US00D987137S

(12) **United States Design Patent** (10) **Patent No.:** **US D987,137 S**  
**Hirata et al.** (45) **Date of Patent:** **\*\* May 23, 2023**

(54) **REAR COMBINATION LAMP FOR AUTOMOBILE**

(71) Applicant: **Nissan Motor Co., Ltd.**, Kanagawa (JP)

(72) Inventors: **Yusuke Hirata**, Kanagawa (JP); **Tsuyoshi Kawashima**, Kanagawa (JP)

(73) Assignee: **Nissan Motor Co., Ltd.**, Yokohama (JP)

(\*\*) Term: **15 Years**

(21) Appl. No.: **29/749,603**

(22) Filed: **Sep. 8, 2020**

(30) **Foreign Application Priority Data**

Mar. 9, 2020 (JP) ..... 2020-004685

(51) **LOC (14) Cl.** ..... **26-06**

(52) **U.S. Cl.**  
USPC ..... **D26/28**

(58) **Field of Classification Search**  
USPC ..... D26/28, 29, 30, 31, 32, 33, 34, 35, 36,  
D26/139

CPC ..... F21W 2103/35; F21W 2103/40; F21W 2102/17; F21W 2102/30; F21W 2103/00; F21W 2103/55; F21W 2104/00; F21W 2107/17; F21W 2107/13; F21S 41/00; F21S 41/141; F21S 41/162; F21S 41/18; F21S 41/20; F21S 41/33; F21S 41/36; F21S 41/60; F21S 43/00; F21S 43/15; F21S 43/50; F21V 21/04

See application file for complete search history.

(56) **References Cited**

**U.S. PATENT DOCUMENTS**

D535,042 S \* 1/2007 Nakayama ..... D26/28  
D605,566 S \* 12/2009 Wong ..... D12/163

D613,648 S \* 4/2010 Wong ..... D12/163  
D815,765 S \* 4/2018 Jacobsthal ..... D26/28  
D837,427 S \* 1/2019 Lee ..... D26/28  
D868,306 S \* 11/2019 Lin ..... D26/28  
D875,280 S \* 2/2020 Lucas ..... D26/28  
D876,691 S \* 2/2020 Morelock ..... D12/114  
D882,132 S \* 4/2020 Hoste ..... D26/28  
D893,778 S \* 8/2020 Kim ..... D26/28  
D922,630 S \* 6/2021 Kim ..... D26/28  
D936,256 S \* 11/2021 Kim ..... D26/28  
D937,457 S \* 11/2021 Thomas ..... D26/28

**FOREIGN PATENT DOCUMENTS**

JP D0835566 S 5/1992  
JP D1403620 S 12/2010

\* cited by examiner

*Primary Examiner* — Angela J Lee

(74) *Attorney, Agent, or Firm* — Global IP Counselors, LLP

(57) **CLAIM**

The ornamental design for a rear combination lamp for an automobile, as shown and described.

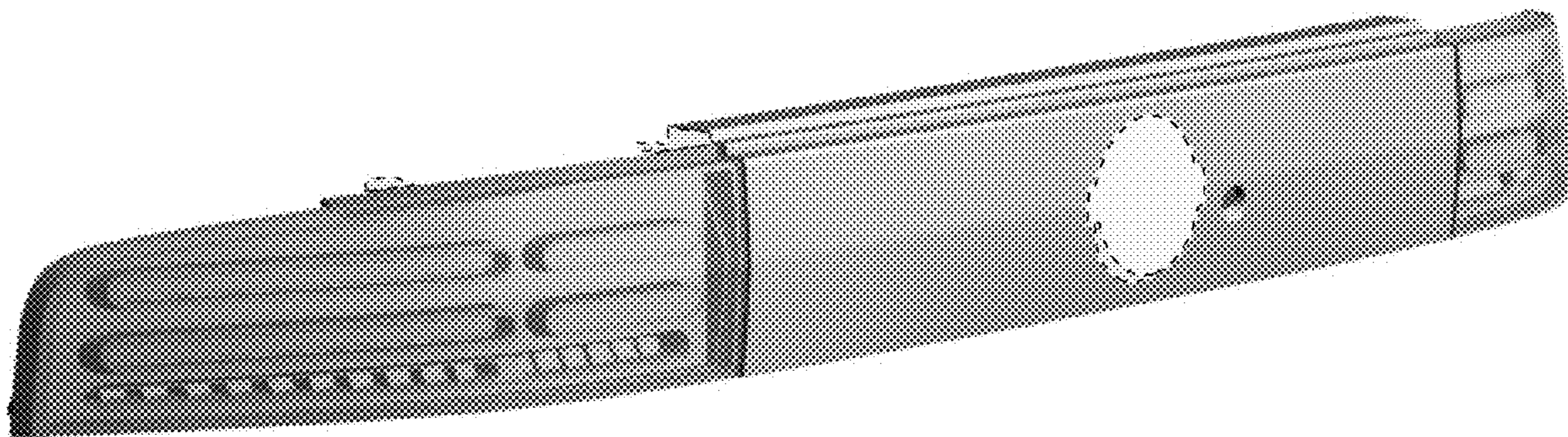
**DESCRIPTION**

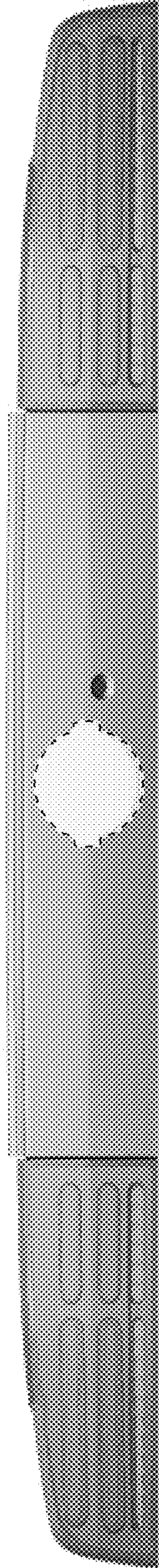
FIG. 1 is a front elevational view of a rear combination lamp for an automobile according to our new design;  
FIG. 2 is a top plan view thereof;  
FIG. 3 is a bottom plan view thereof;  
FIG. 4 is a left side elevational view thereof;  
FIG. 5 is a right side elevational view thereof; and,  
FIG. 6 is a front side perspective view thereof.

The broken lines shown in the drawings represent portions of the rear combination lamp for automobile that form no part of the claimed design.

A second embodiment of my new design includes the mirror image of the rear combination lamp shown in FIGS. 1 to 6.

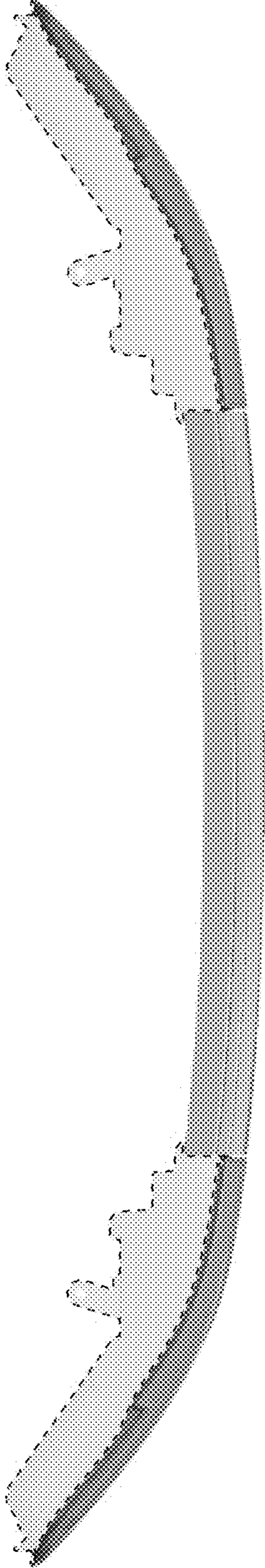
**1 Claim, 6 Drawing Sheets**



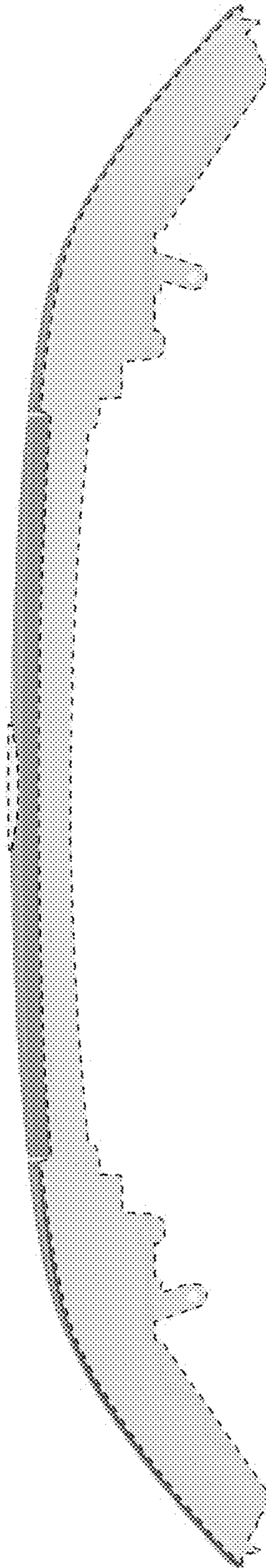


**FIG. 1**

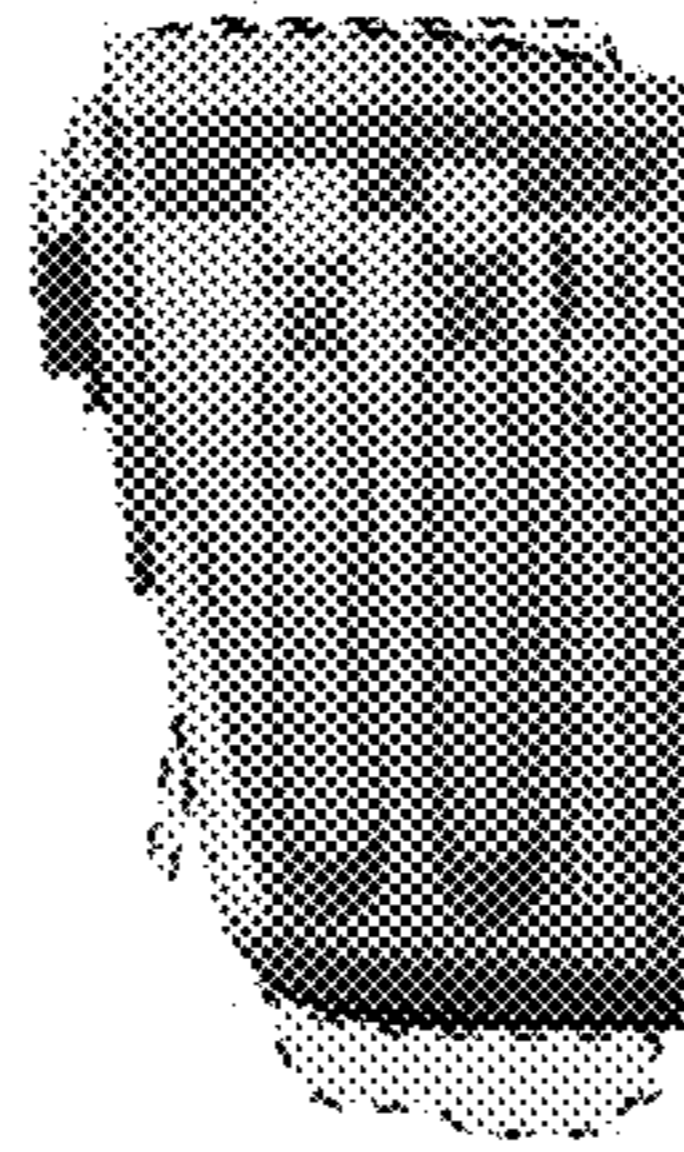




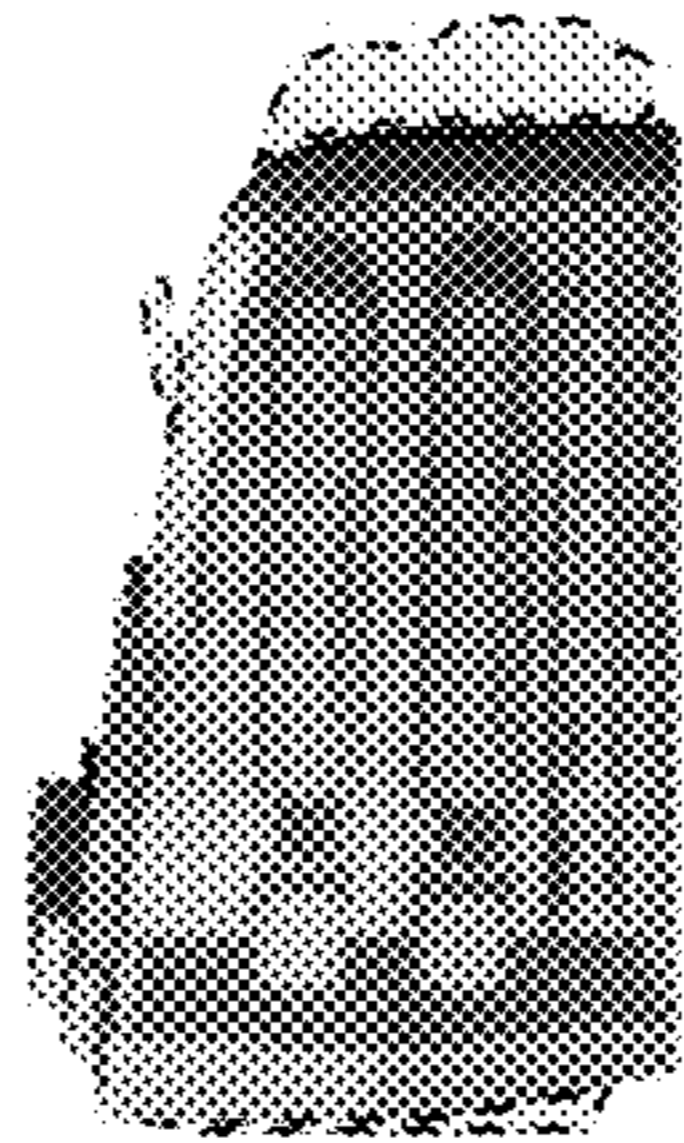
**FIG. 2**



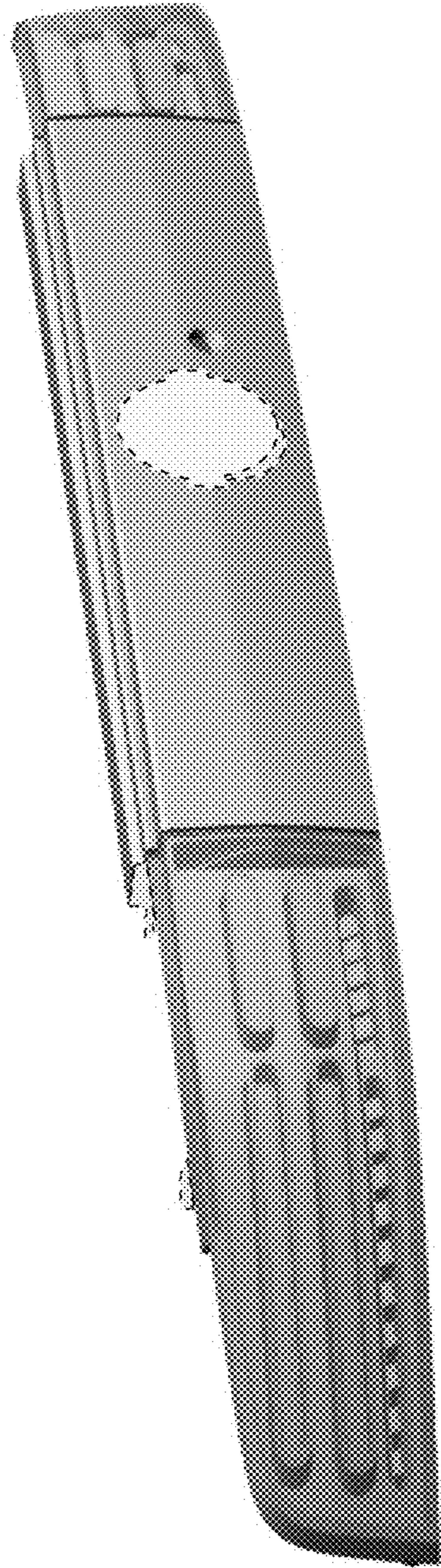
**FIG. 3**



**FIG. 4**



**FIG. 5**



**FIG. 6**