



US00D987131S

(12) **United States Design Patent**
Zhang et al.

(10) **Patent No.:** **US D987,131 S**

(45) **Date of Patent:** **** May 23, 2023**

(54) **NIGHT LIGHT**

(71) Applicants: **Fei Zhang**, Shanghang (CN); **Huaxin Chen**, Shanghang (CN)

(72) Inventors: **Fei Zhang**, Shanghang (CN); **Huaxin Chen**, Shanghang (CN)

(**) Term: **15 Years**

(21) Appl. No.: **29/821,649**

(22) Filed: **Dec. 31, 2021**

(51) **LOC (14) Cl.** **26-05**

(52) **U.S. Cl.**
USPC **D26/26**

(58) **Field of Classification Search**
USPC D26/26, 24, 113, 118, 119, 120, 52;
D23/366, 367, 369

CPC F21S 8/035; F21V 23/06; F21V 23/0442;
F21W 2121/00; H01R 2103/00

See application file for complete search history.

(56) **References Cited**

U.S. PATENT DOCUMENTS

D343,015 S *	1/1994	Yuen	D26/85
D376,214 S *	12/1996	Pinchuk	D26/26
D452,336 S	12/2001	Liu		
D497,681 S	10/2004	Donnelly		
D523,972 S *	6/2006	Chan	D26/26
D524,458 S	7/2006	Chan		
D790,090 S	6/2017	Howard		
D790,091 S	6/2017	Howard		
D864,429 S	10/2019	Zhang		
D870,326 S *	12/2019	Chen	D26/26
D872,912 S *	1/2020	Wu	D26/26
D873,448 S *	1/2020	Zhang	D26/26
D876,677 S	2/2020	Chen		

D876,678 S *	2/2020	Chen	D26/26
D876,679 S	2/2020	Hou		
D894,436 S *	8/2020	Wu	D26/26
D897,567 S *	9/2020	Wu	D26/26
D942,653 S *	2/2022	Pan	D26/26
D945,660 S *	3/2022	Pan	D26/26
2021/0148548 A1 *	5/2021	Hou	F21S 9/02

OTHER PUBLICATIONS

Night Light Plug Into Wall, https://www.amazon.com/dp/B094MRXKY7?_encoding=UTF8&psc=1&ref_cm_sw_r_cp_ud_dp_096TVMJTA33B3AFP59B0, first available Jun. 10, 2021 (Year: 2021).*

* cited by examiner

Primary Examiner — Angela J Lee

(74) *Attorney, Agent, or Firm* — Rumit R. Kanakia

(57) **CLAIM**

The ornamental design for a night light, as shown and described.

DESCRIPTION

FIG. 1 is a perspective view of a night light showing my new design;

FIG. 2 is another perspective view thereof;

FIG. 3 is a front elevational view thereof;

FIG. 4 is a rear elevational view thereof;

FIG. 5 is a left side elevational view thereof;

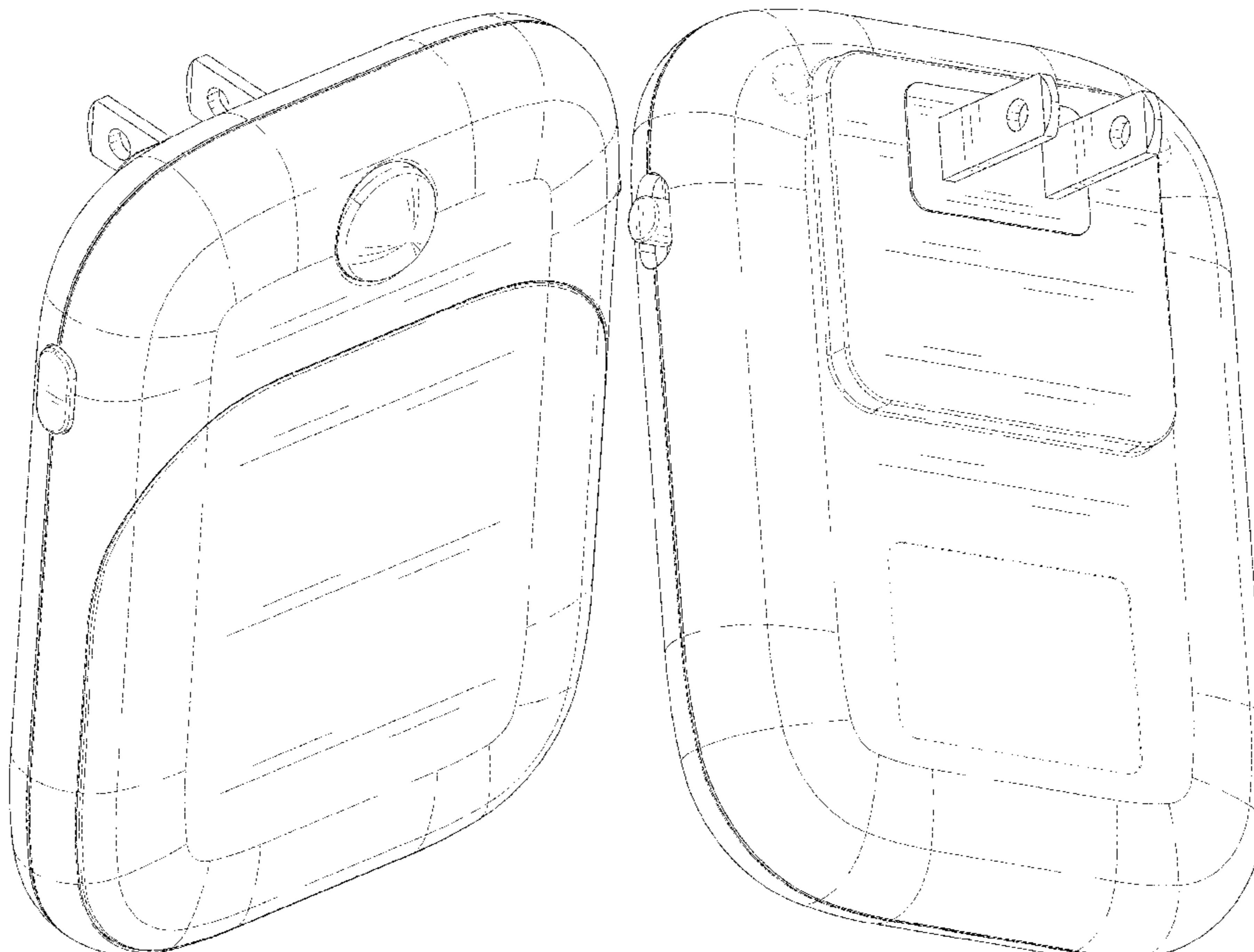
FIG. 6 is a right side elevational view thereof;

FIG. 7 is a top side view thereof; and,

FIG. 8 is a bottom plan view thereof.

The broken lines in the figures are for the purpose of illustrating portions of the night light, which form no part of the claimed design.

1 Claim, 8 Drawing Sheets



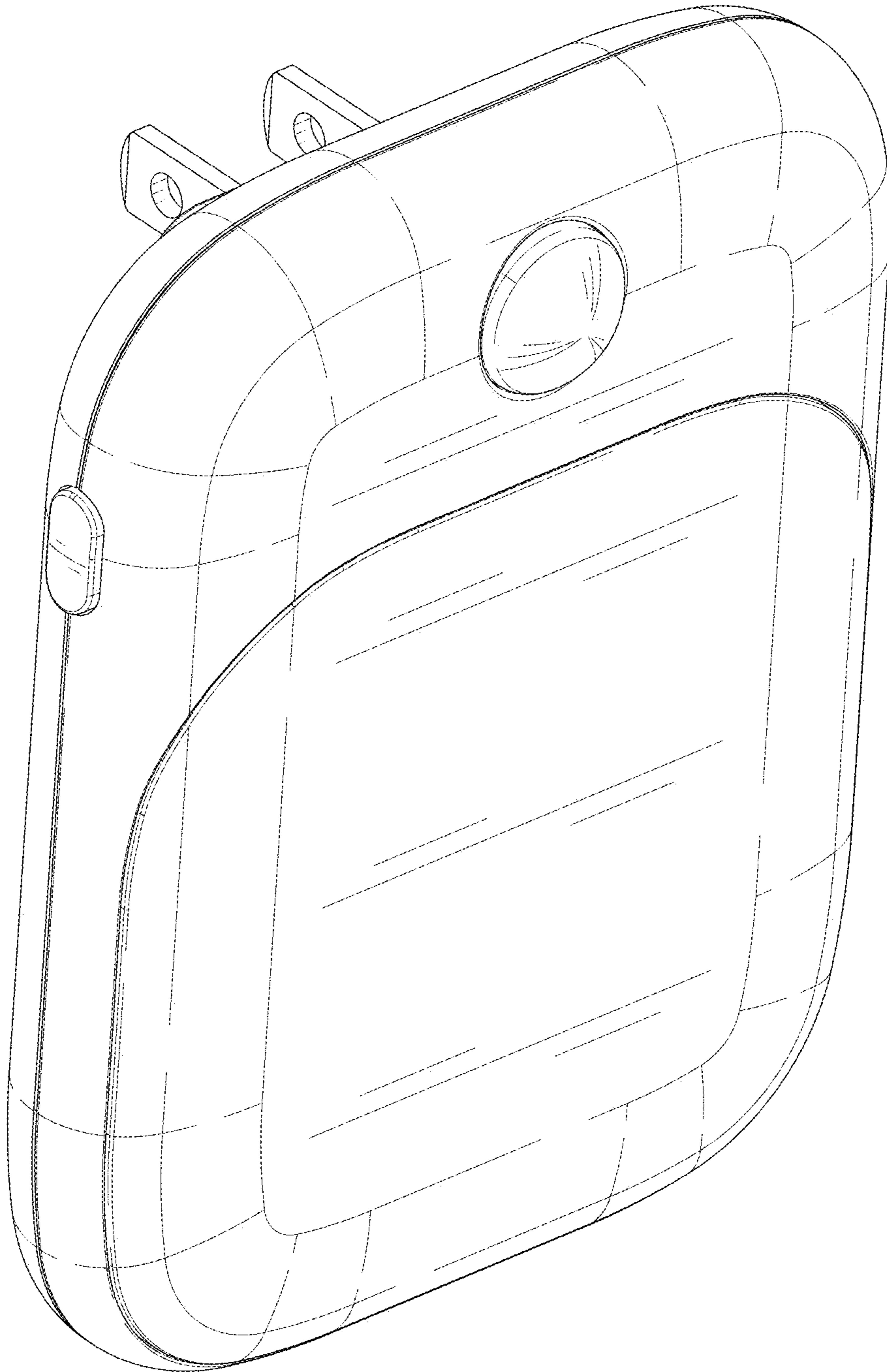


FIG. 1

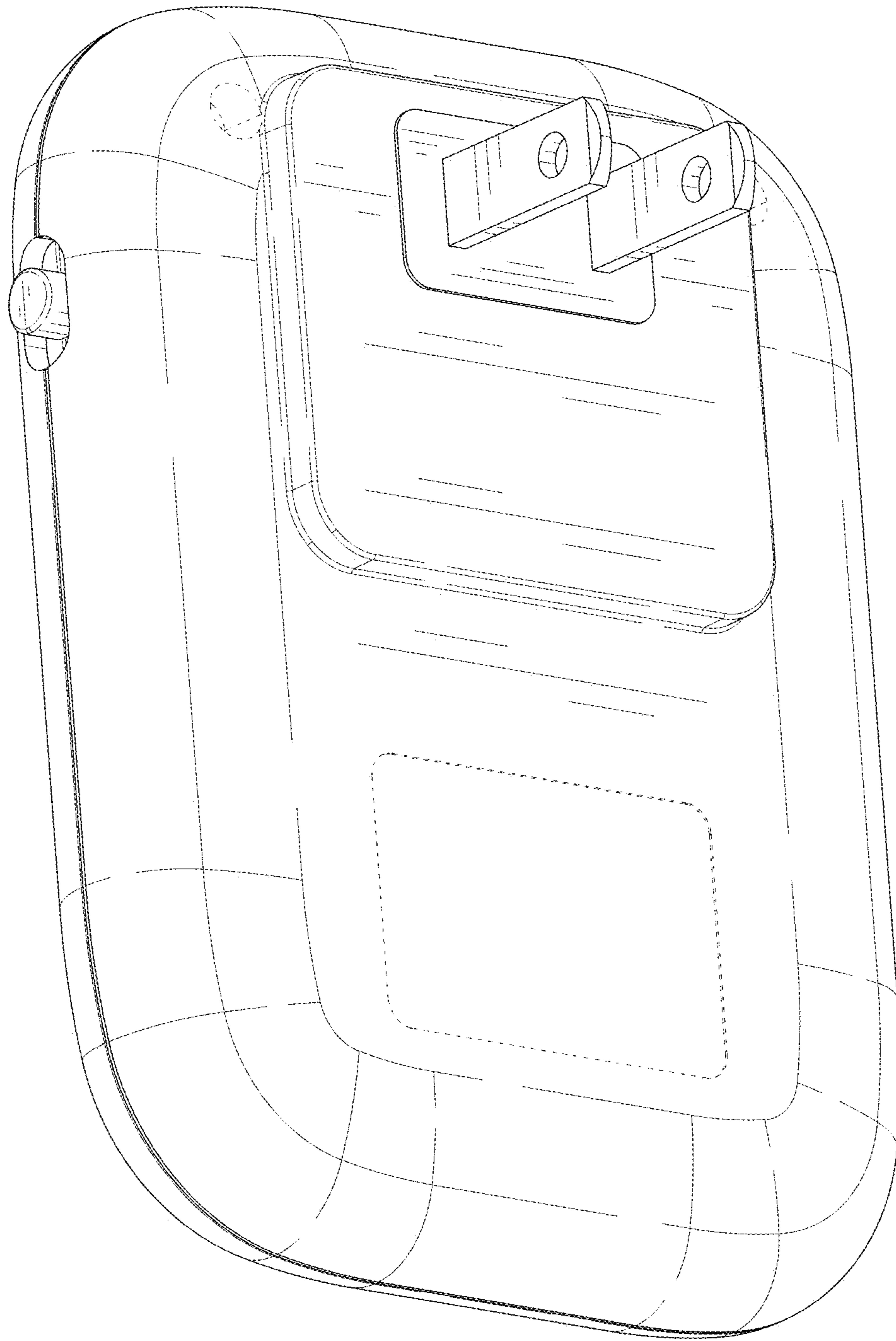


FIG. 2

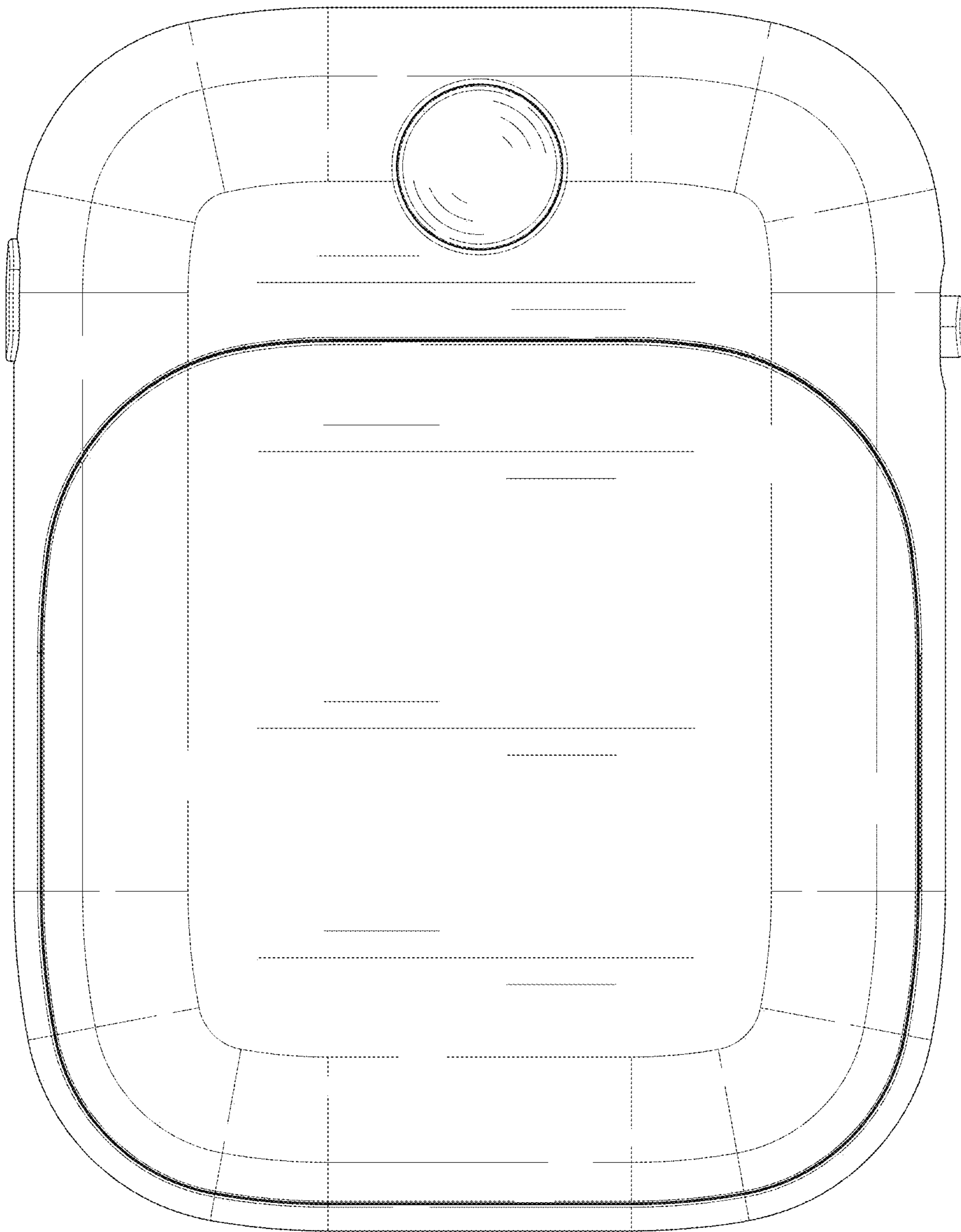


FIG. 3

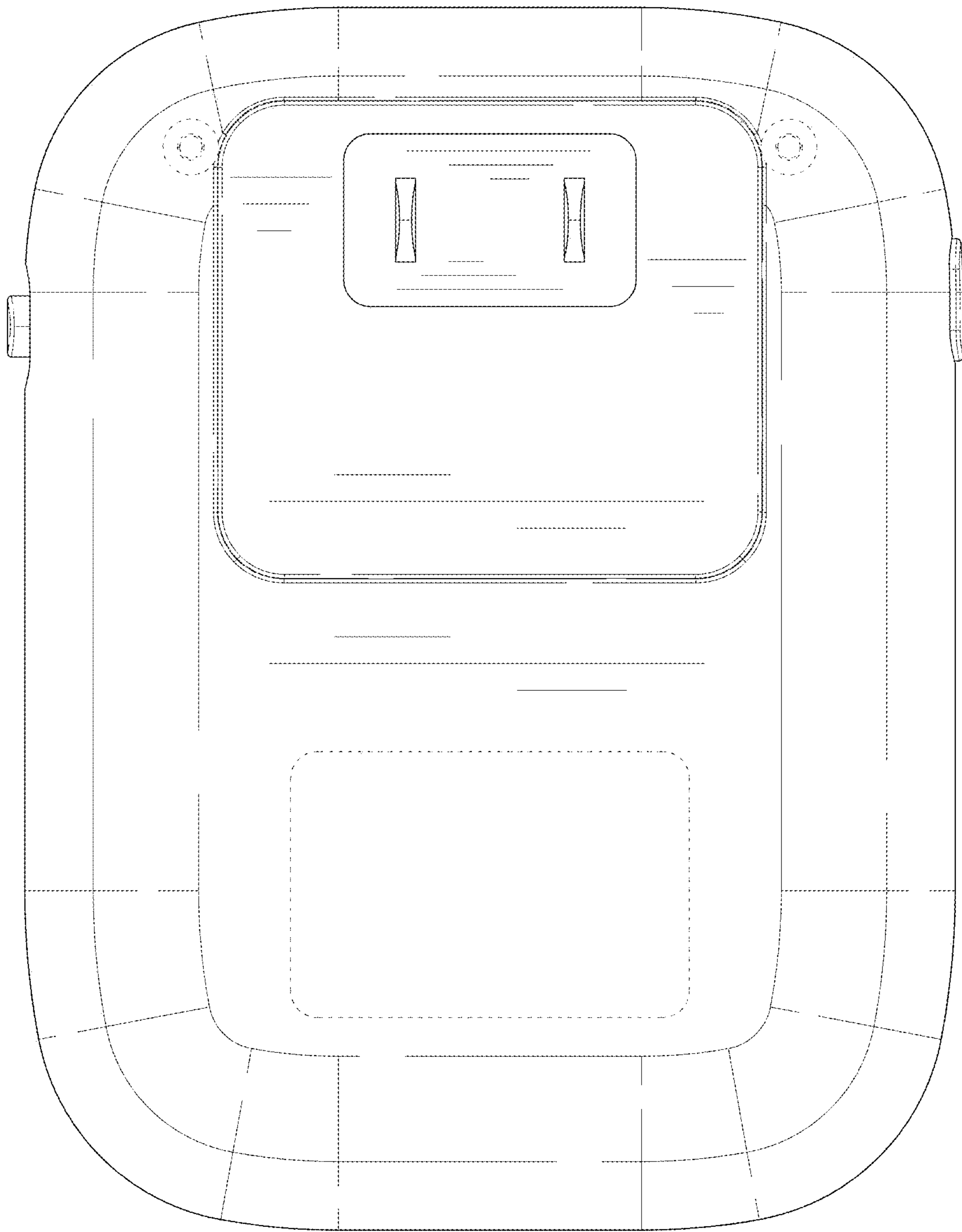


FIG. 4

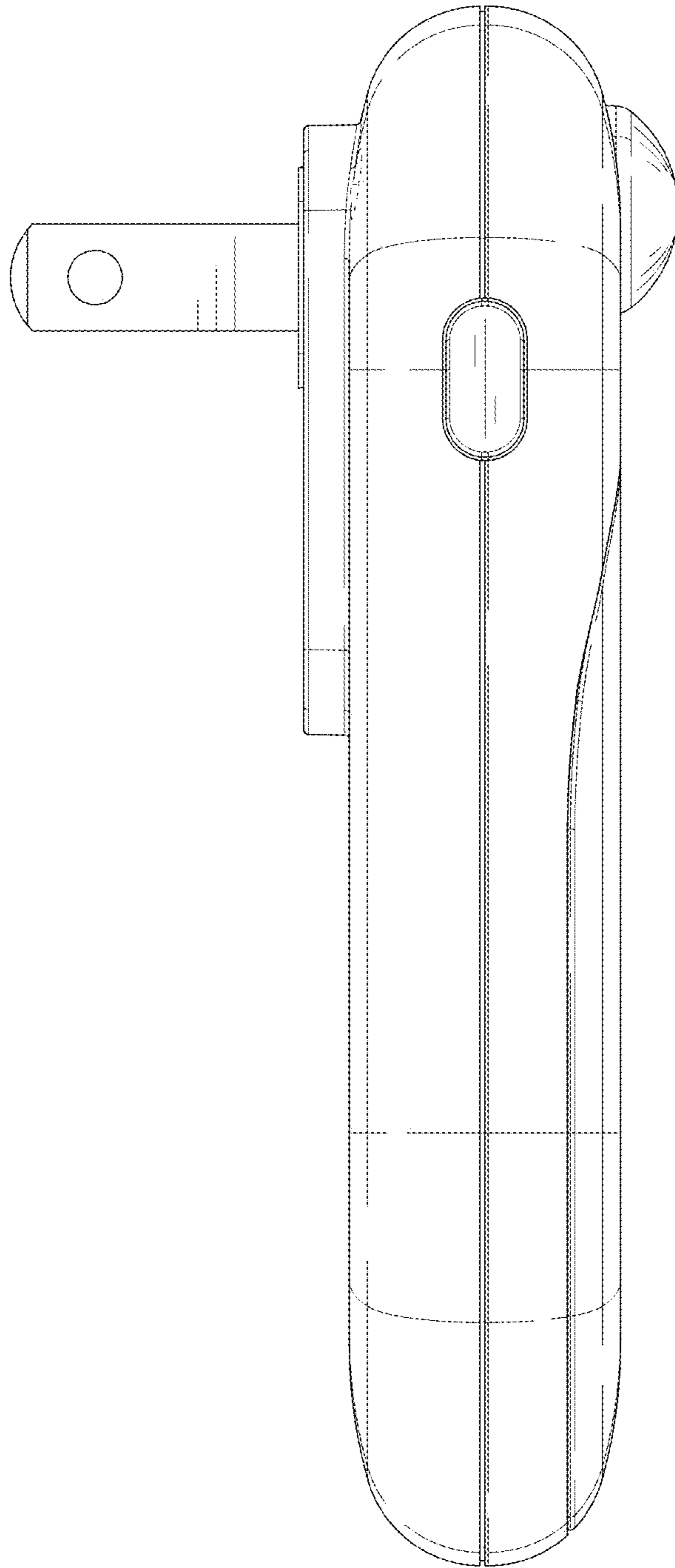


FIG. 5

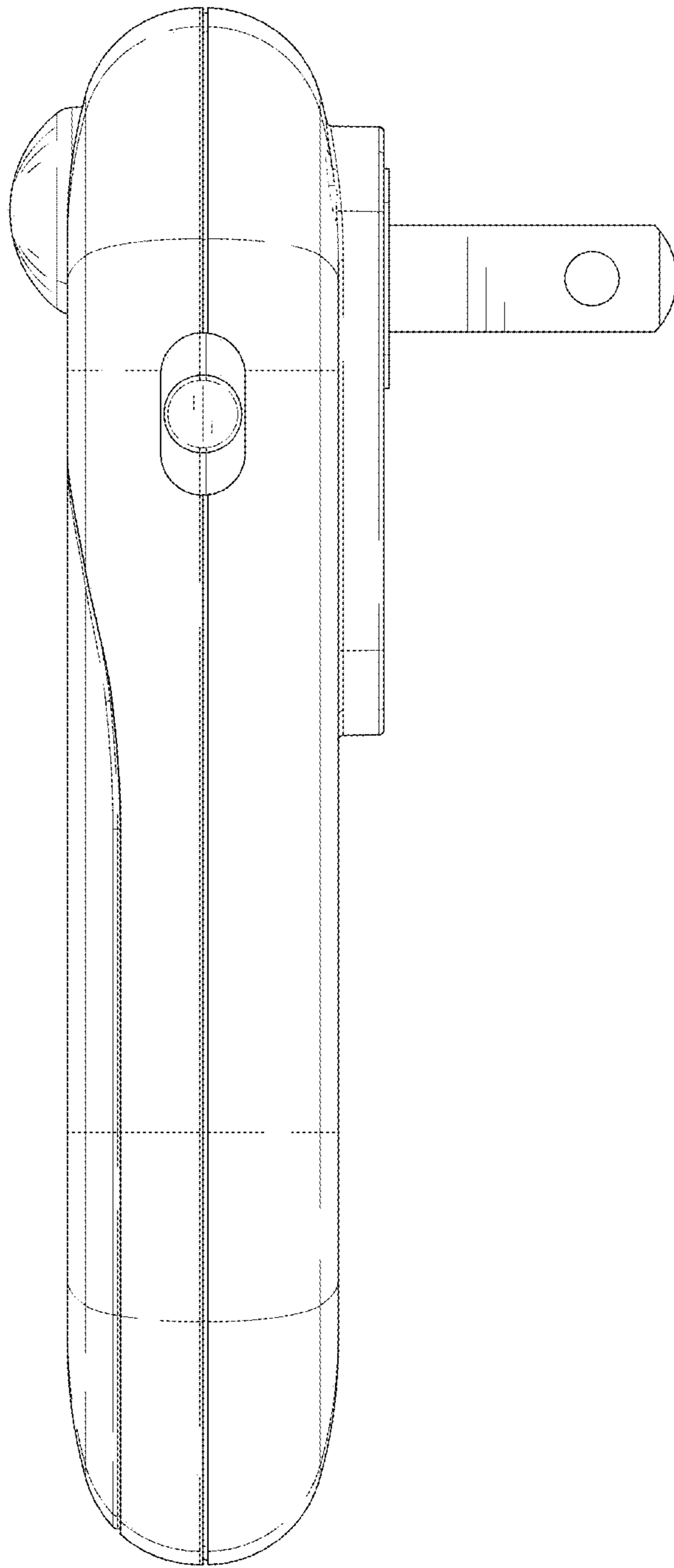


FIG. 6

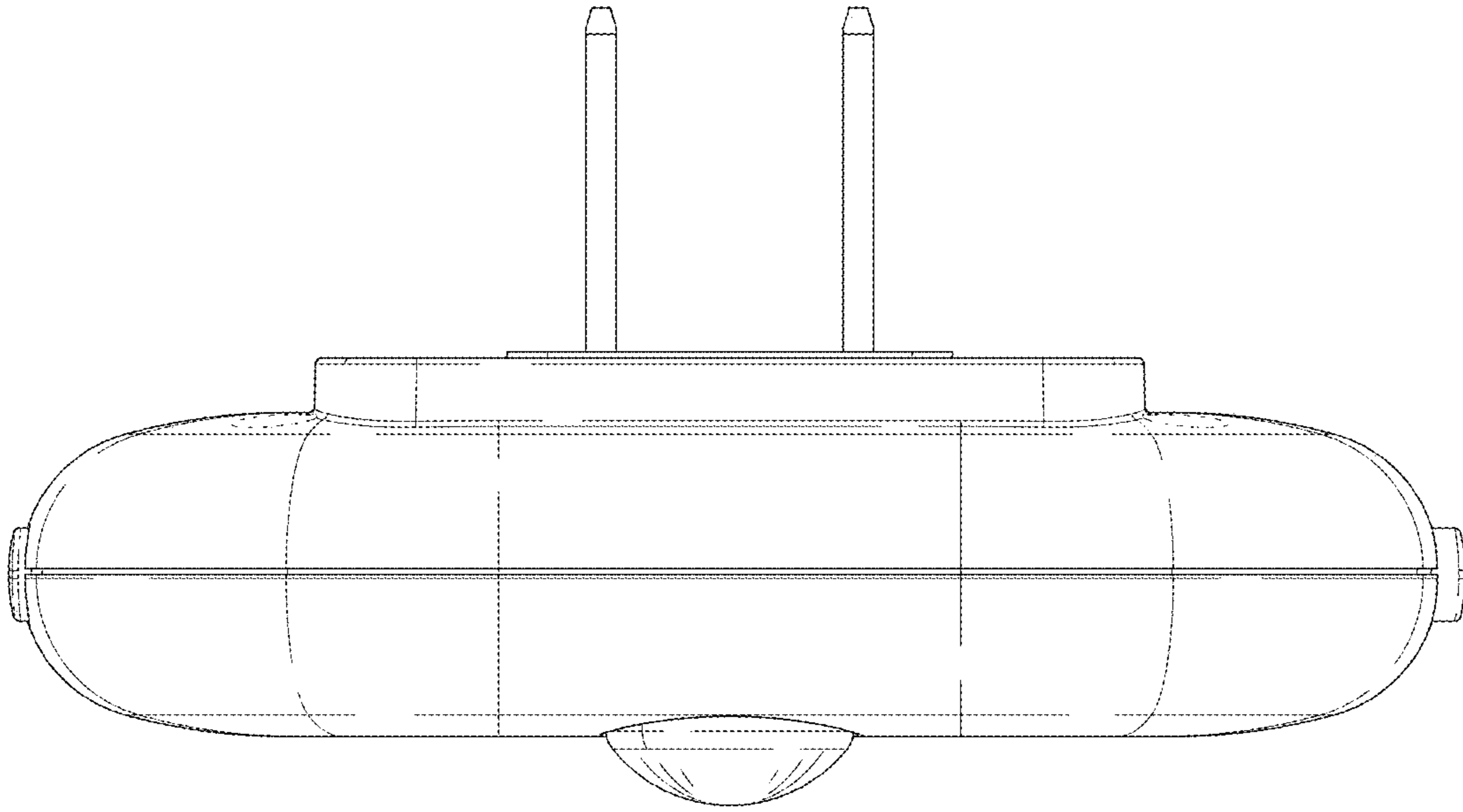


FIG. 7

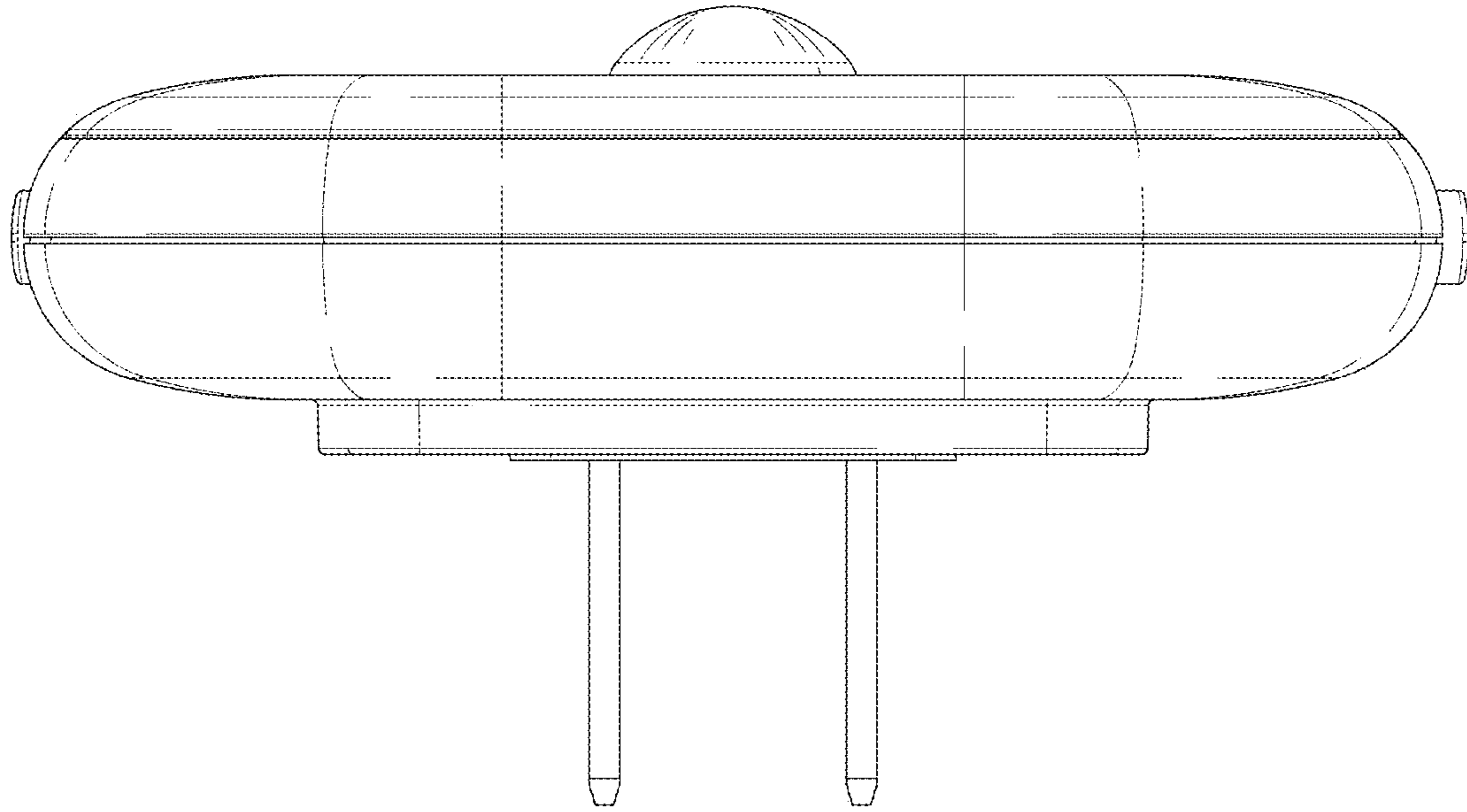


FIG. 8