



US00D987129S

(12) **United States Design Patent**  
**Zhao**

(10) **Patent No.:** **US D987,129 S**  
(45) **Date of Patent:** **\*\* May 23, 2023**

(54) **INFLATABLE LAMP**

FOREIGN PATENT DOCUMENTS

(71) Applicant: **HongChun Zhao**, ShenZhen (CN)

CN 307483137 \* 8/2022  
CN 307664205 \* 11/2022

(72) Inventor: **HongChun Zhao**, ShenZhen (CN)

(\*\*) Term: **15 Years**

OTHER PUBLICATIONS

(21) Appl. No.: **29/778,213**

“Loftek” reference by Loftek Direct on Amazon.com, date first available Nov. 11, 2013 [online], site visited Dec. 20, 2022, available from internet URL: <https://www.amazon.com/dp/B00GOJDB84> (Year: 2013).\*

(22) Filed: **Apr. 12, 2021**

(Continued)

(30) **Foreign Application Priority Data**

Apr. 7, 2021 (CN) ..... 202130193944.6

(51) **LOC (14) Cl.** ..... **26-03**

(52) **U.S. Cl.**  
USPC ..... **D26/24; D26/40**

(58) **Field of Classification Search**  
USPC ..... D26/2, 9, 22, 24, 25, 37, 60, 62, 72, 93,  
D26/106, 110, 113, 138, 41, 40, 67  
CPC ..... F21L 4/00; F21K 9/00; F21S 4/00; F21S  
6/00; F21S 8/00; F21S 8/003; F21S 8/03;  
F21S 8/038; F21V 33/004; F21V 35/00;  
F21Y 2107/70

See application file for complete search history.

*Primary Examiner* — Richard Kearney

*Assistant Examiner* — Liv C Anderson

(74) *Attorney, Agent, or Firm* — iPA & iPM

(56) **References Cited**

U.S. PATENT DOCUMENTS

D395,715 S \* 6/1998 Queen ..... D26/104  
D521,681 S \* 5/2006 Xu ..... D27/148  
D742,955 S \* 11/2015 Kozko ..... D16/218  
D749,661 S \* 2/2016 Yang ..... D16/203  
D756,541 S \* 5/2016 Lagier ..... D26/1  
D772,828 S \* 11/2016 Kusumoto ..... D14/126  
D815,172 S \* 4/2018 Noh ..... D16/202  
D836,151 S \* 12/2018 Chang ..... D16/210  
D848,051 S \* 5/2019 Huang ..... D26/104  
D861,009 S \* 9/2019 Lien ..... D14/480.7  
D887,073 S \* 6/2020 Lin ..... D26/106  
D899,524 S \* 10/2020 Maruyama ..... D21/300  
D902,471 S \* 11/2020 Canizares ..... D26/106

(Continued)

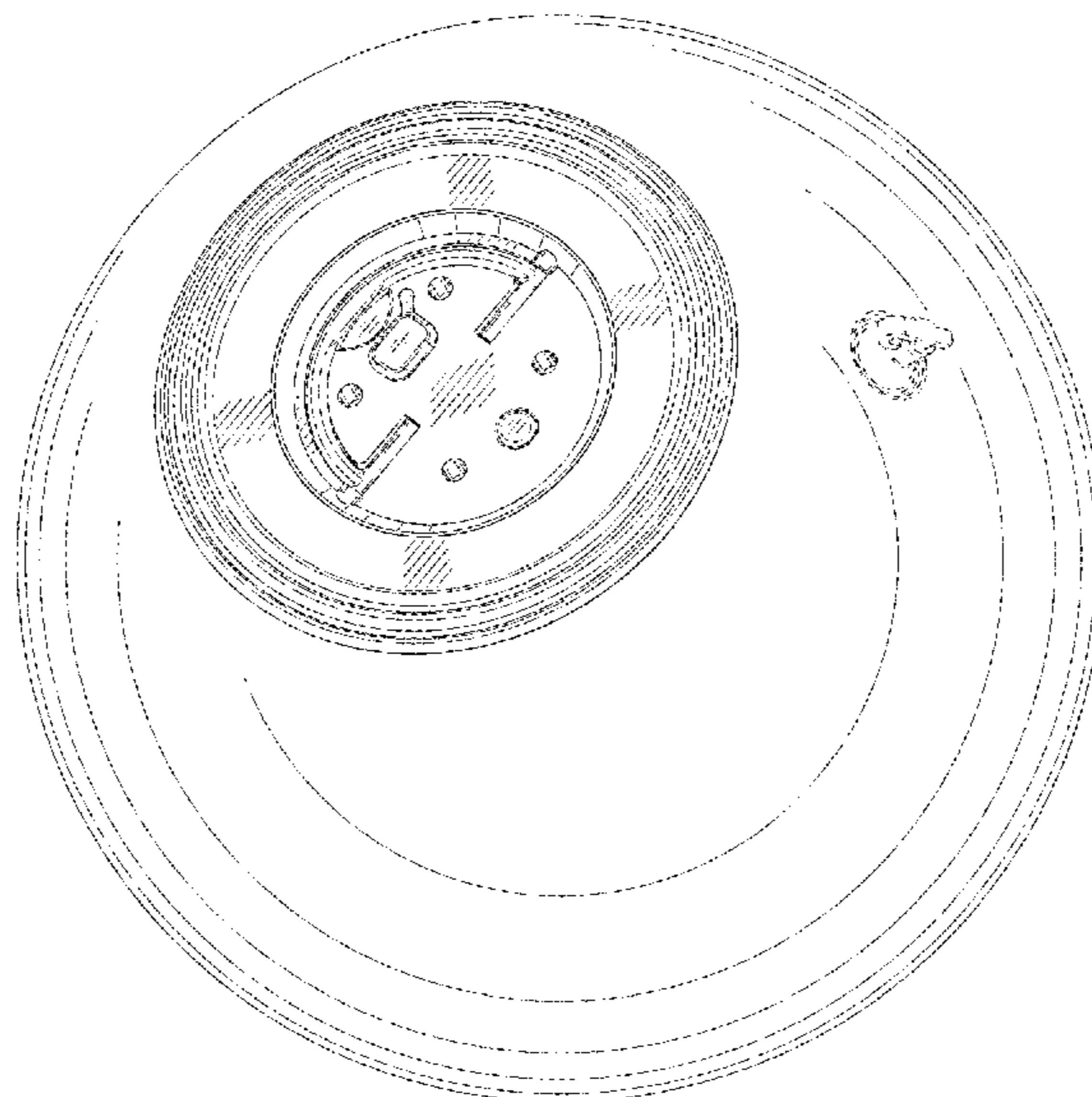
(57) **CLAIM**

The ornamental design for an inflatable lamp, as shown and described.

**DESCRIPTION**

FIG. 1 is a first perspective view from above of inflatable lamp showing my new design;  
FIG. 2 is a front view thereof;  
FIG. 3 is a back view thereof;  
FIG. 4 is a left view thereof;  
FIG. 5 is a right view thereof;  
FIG. 6 is a top view thereof;  
FIG. 7 is a bottom view thereof;  
FIG. 8 is a second perspective view with a handle in an upright position and with the inflatable lamp emitting light; and,  
FIG. 9 is a third perspective view thereof, shown in an environment of use.  
The broken lines depict portions of the inflatable lamp, the additional broken lines in FIGS. 8-9 are directed to environment only; all broken lines form no part of the claim.

**1 Claim, 9 Drawing Sheets**



(56)

**References Cited**

U.S. PATENT DOCUMENTS

D905,319 S *	12/2020	Cui .....	D26/106
D951,521 S *	5/2022	Workman .....	D26/110
D959,717 S *	8/2022	Hsu .....	D26/40
D975,910 S *	1/2023	Huang .....	D26/106
D980,498 S *	3/2023	Shi .....	D26/104
2004/0162170 A1 *	8/2004	Ng .....	A63B 43/00
			473/571
2012/0062151 A1 *	3/2012	Lin .....	F21V 19/0035
			315/312
2021/0197032 A1 *	7/2021	Lin .....	F21V 3/063

OTHER PUBLICATIONS

“2 Pcs” reference by florybercea on Amazon.com, date first available Dec. 21, 2020 [online], site visited Dec. 20, 2022, available from internet URL: <https://www.amazon.com/Inflatable-Colors-Control-Outdoor-Decoration/dp/B08R3SYGC5> (Year: 2020).\*

“Censinda” reference by Censinda on Amazon.com, date first available Oct. 21, 2021 [online], site visited Dec. 20, 2022, available from internet URL: <https://www.amazon.com/Censinda-Cordless-Changing-Rechargeable-Dimmable/dp/B09JYXNCV4/> (Year: 2021).\*

“Usokyo” reference by Usokyo on Amazon.com, date first available Oct. 30, 2022 [online], site visited Dec. 20, 2022, available from internet URL: <https://www.amazon.com/USOKYO-Dimmable-Floating-Waterproof-Rechargeable/dp/B0BDF45G5L> (Year: 2022).\*

\* cited by examiner

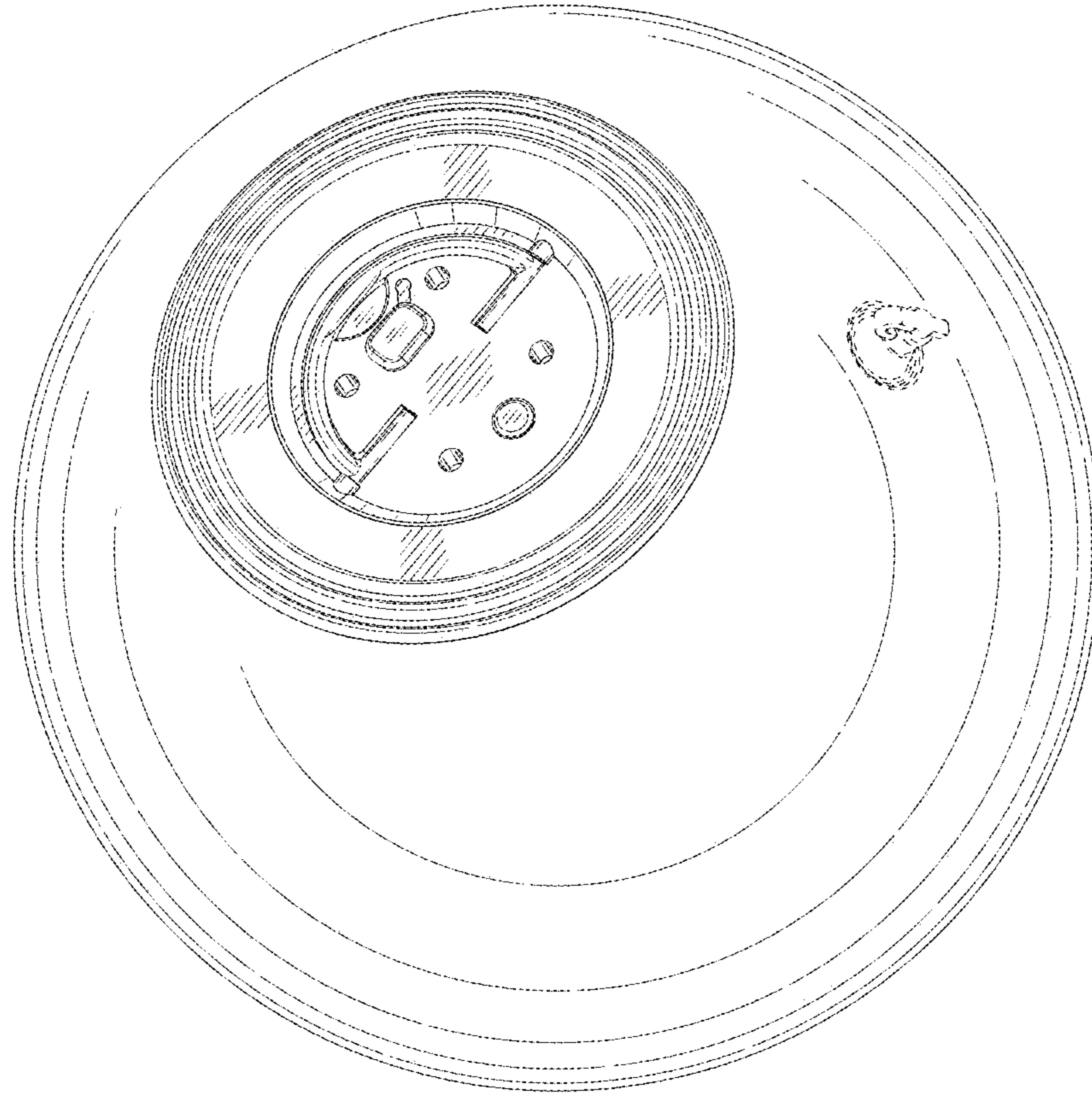


FIG.1

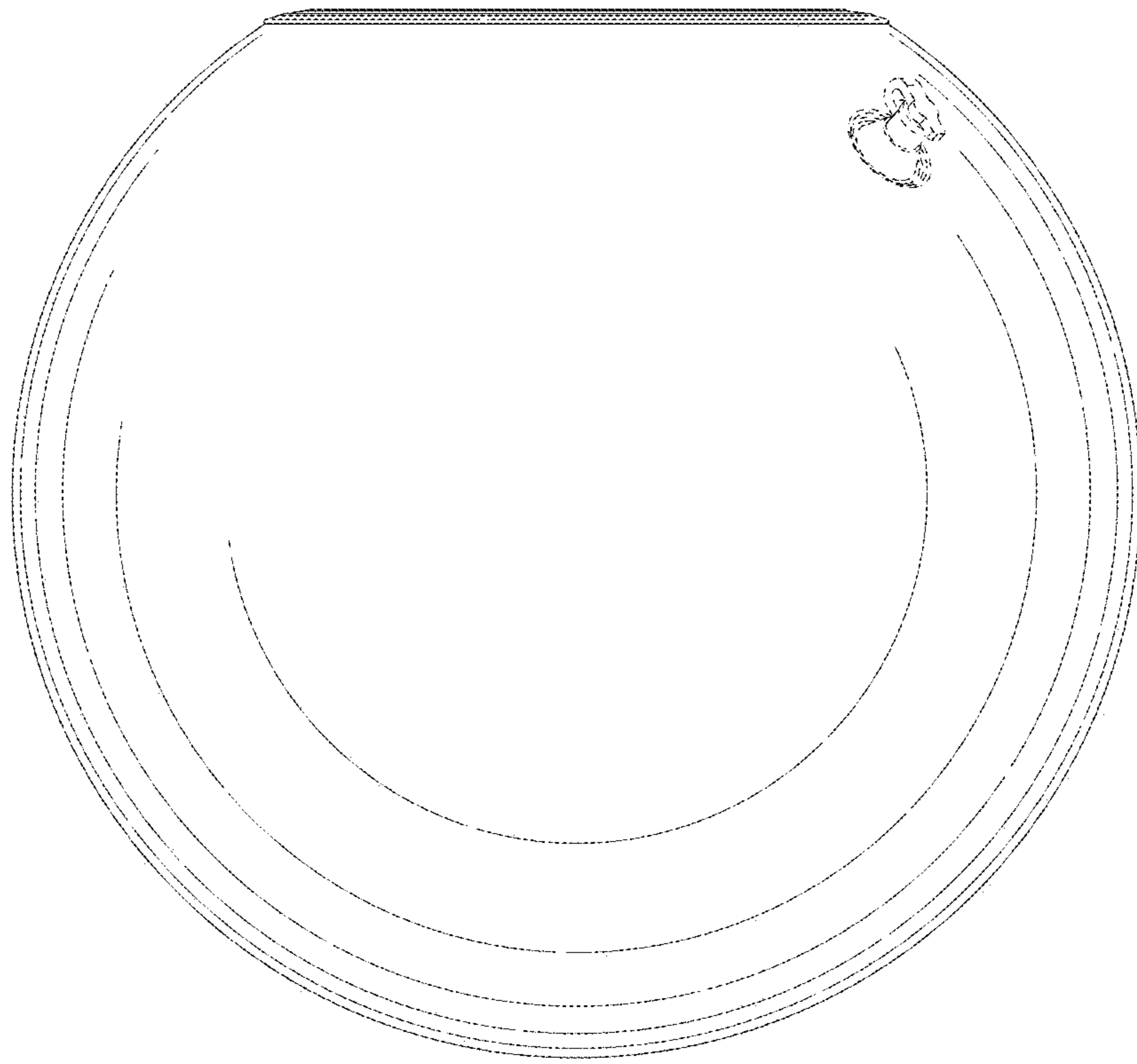


FIG.2

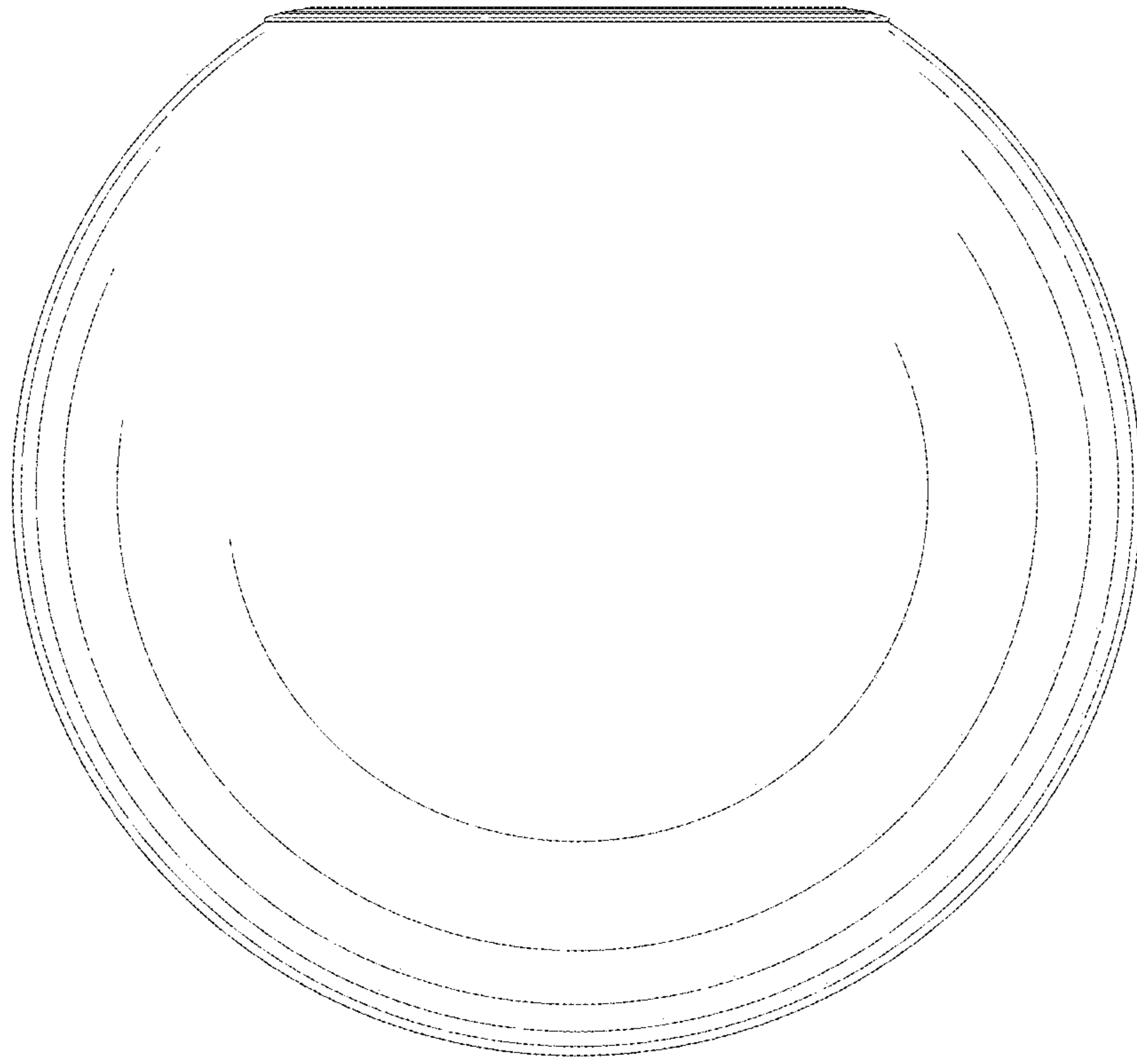


FIG.3

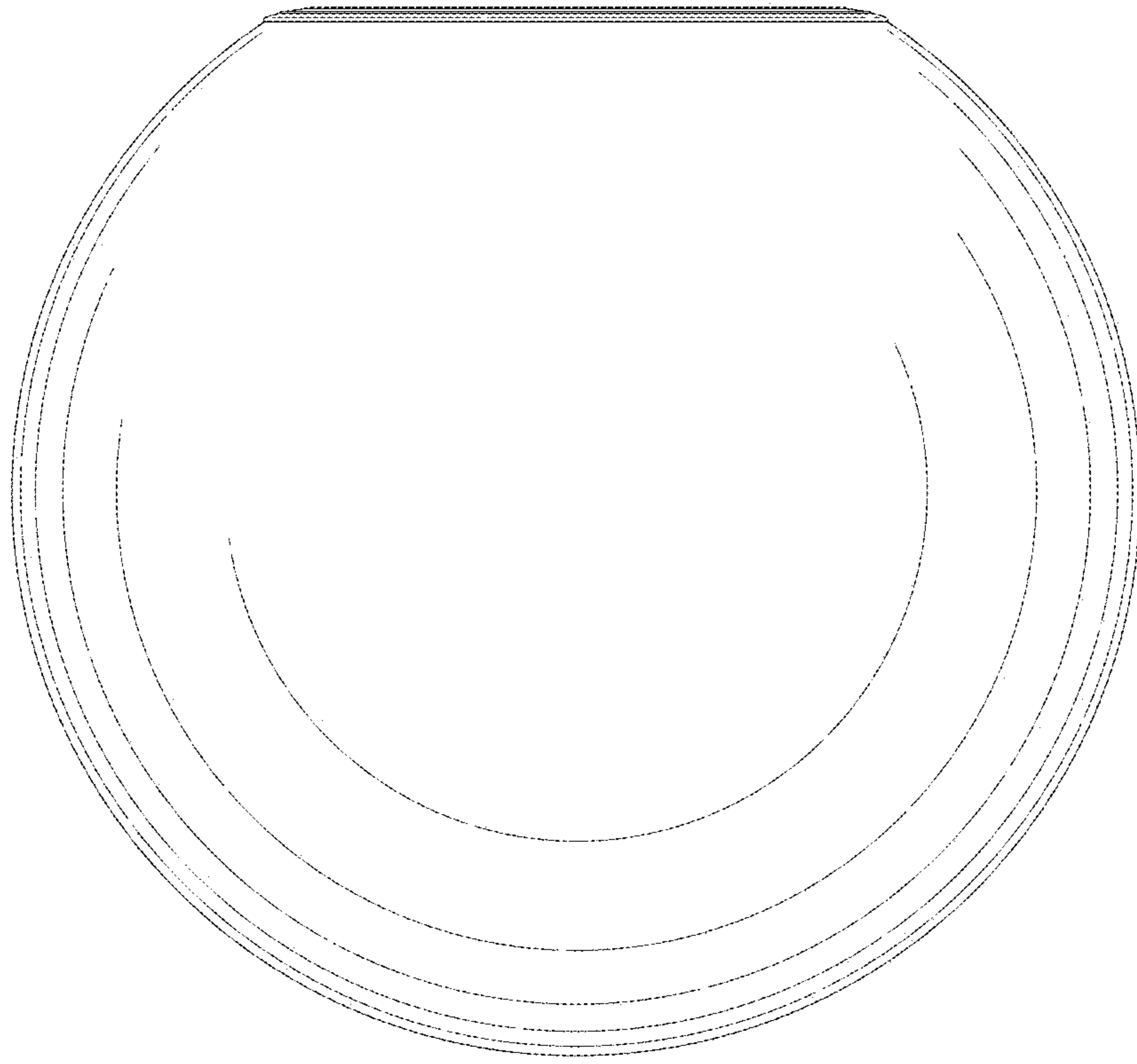


FIG.4

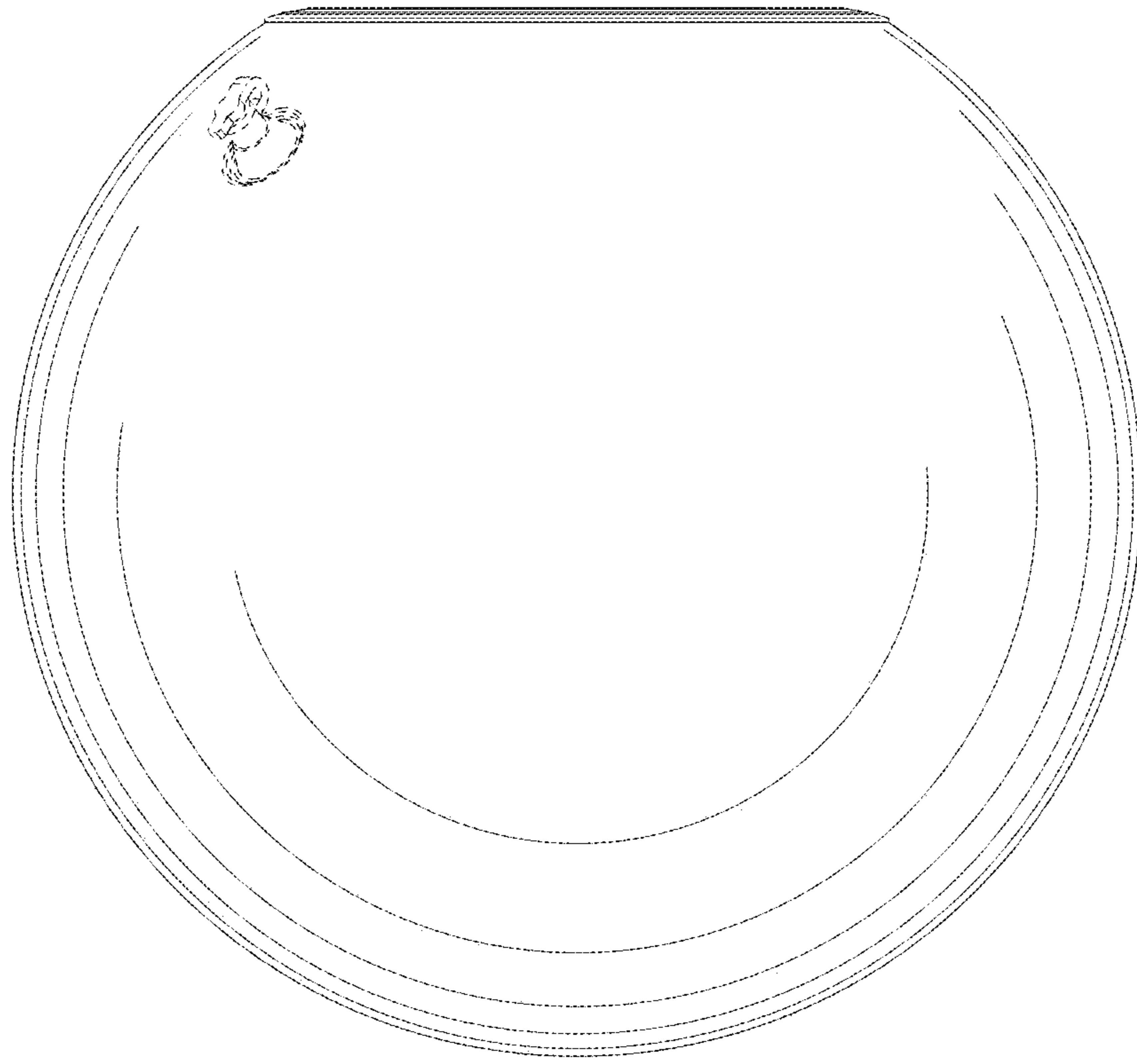


FIG.5

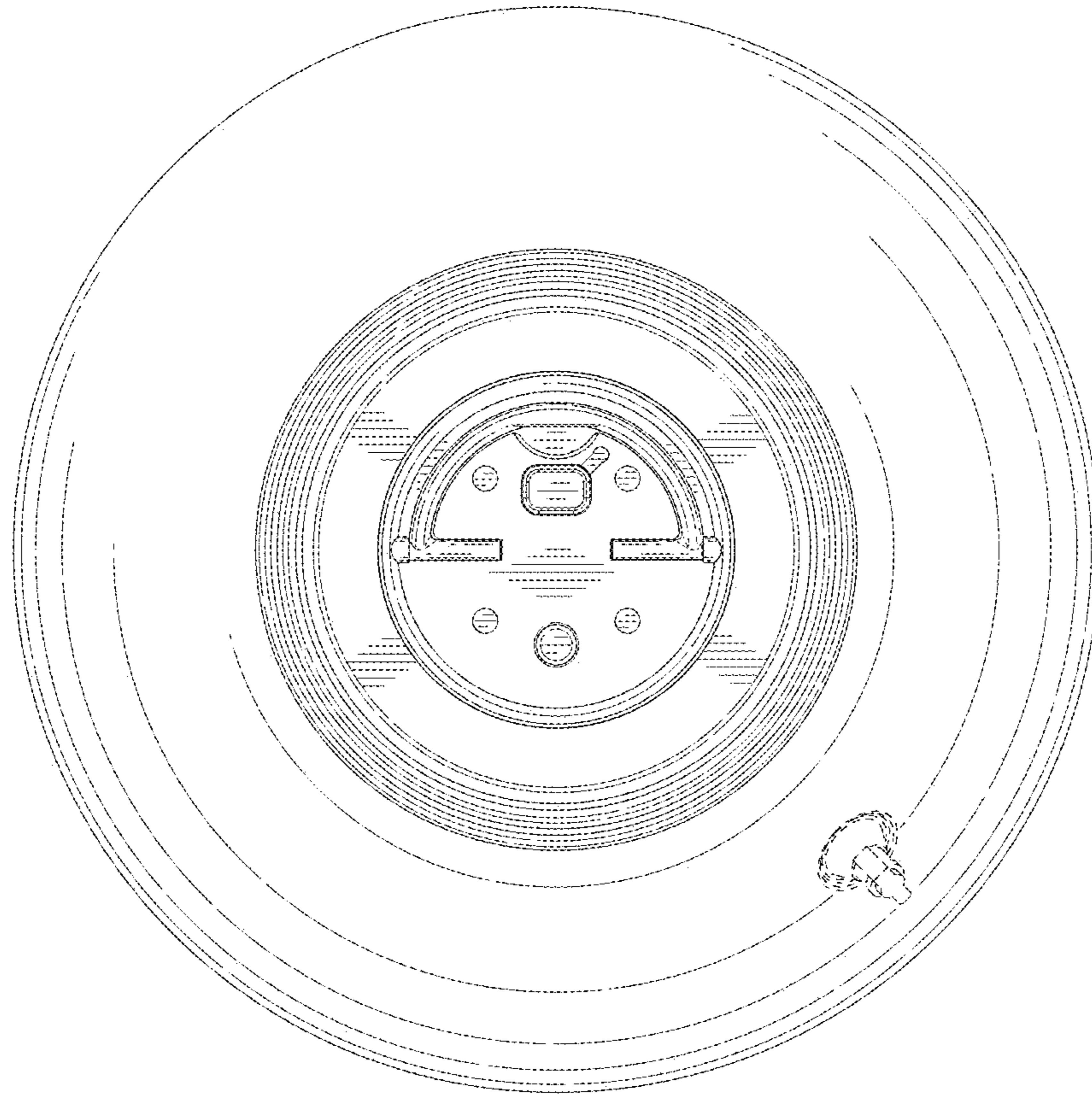


FIG.6



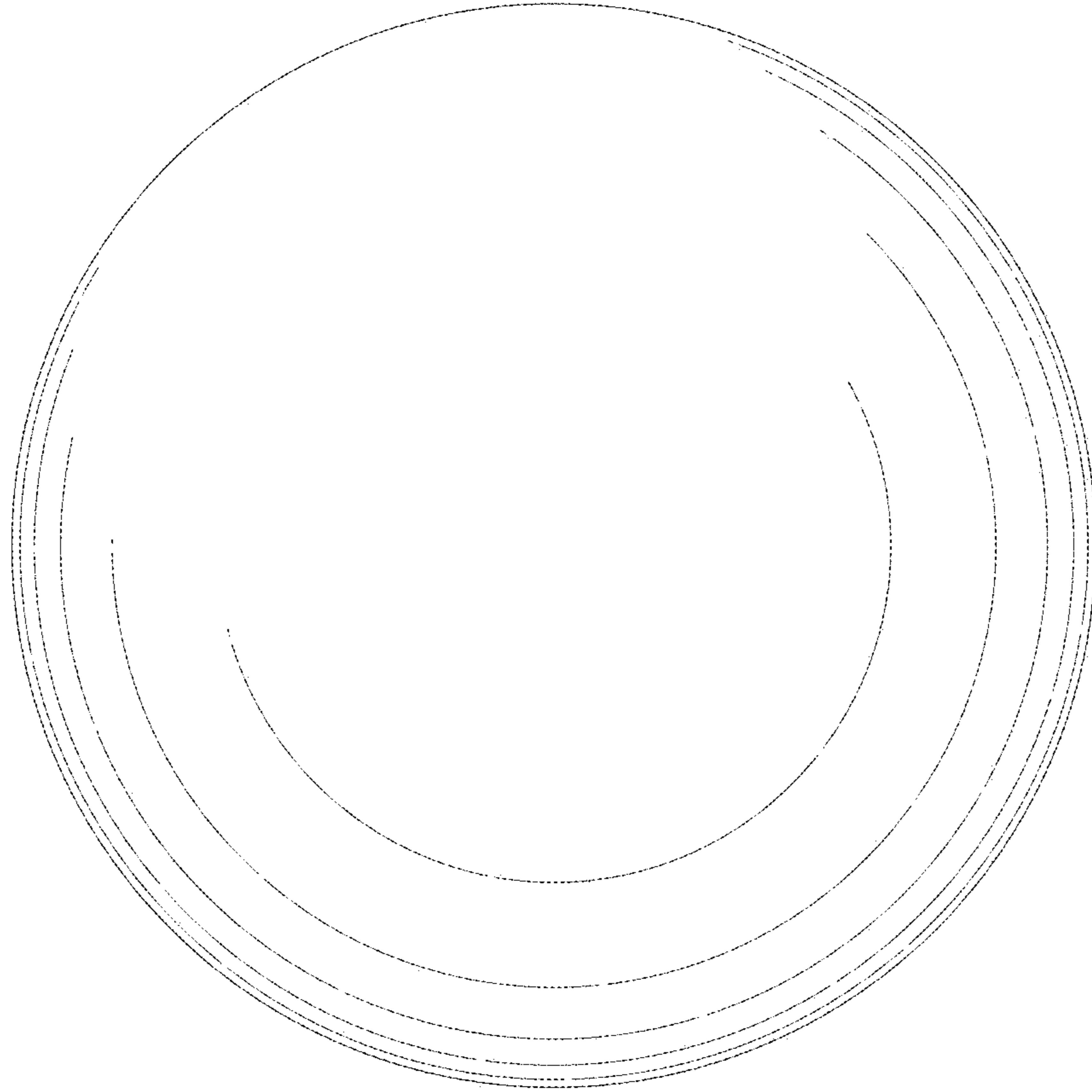


FIG.7

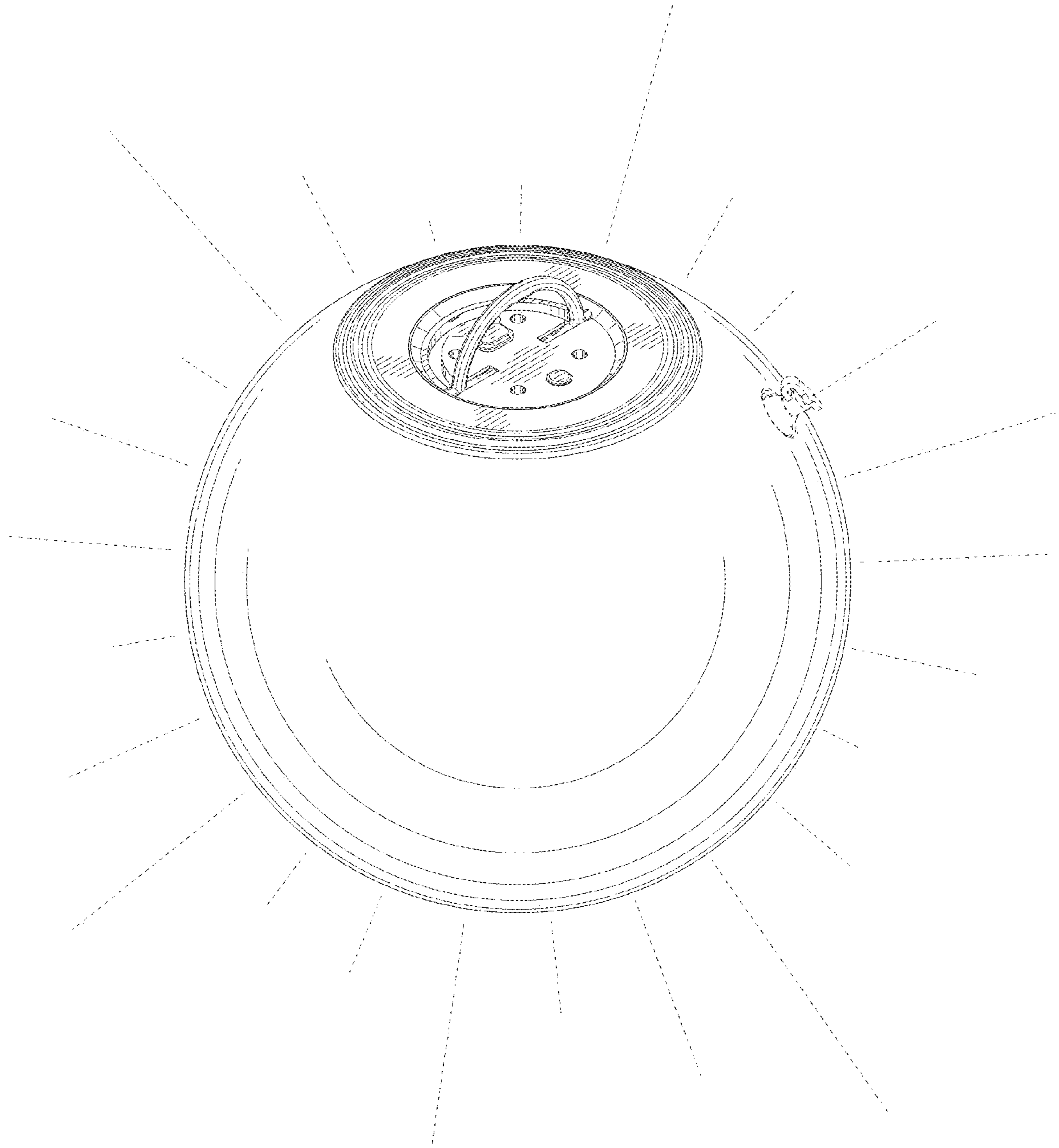


FIG.8

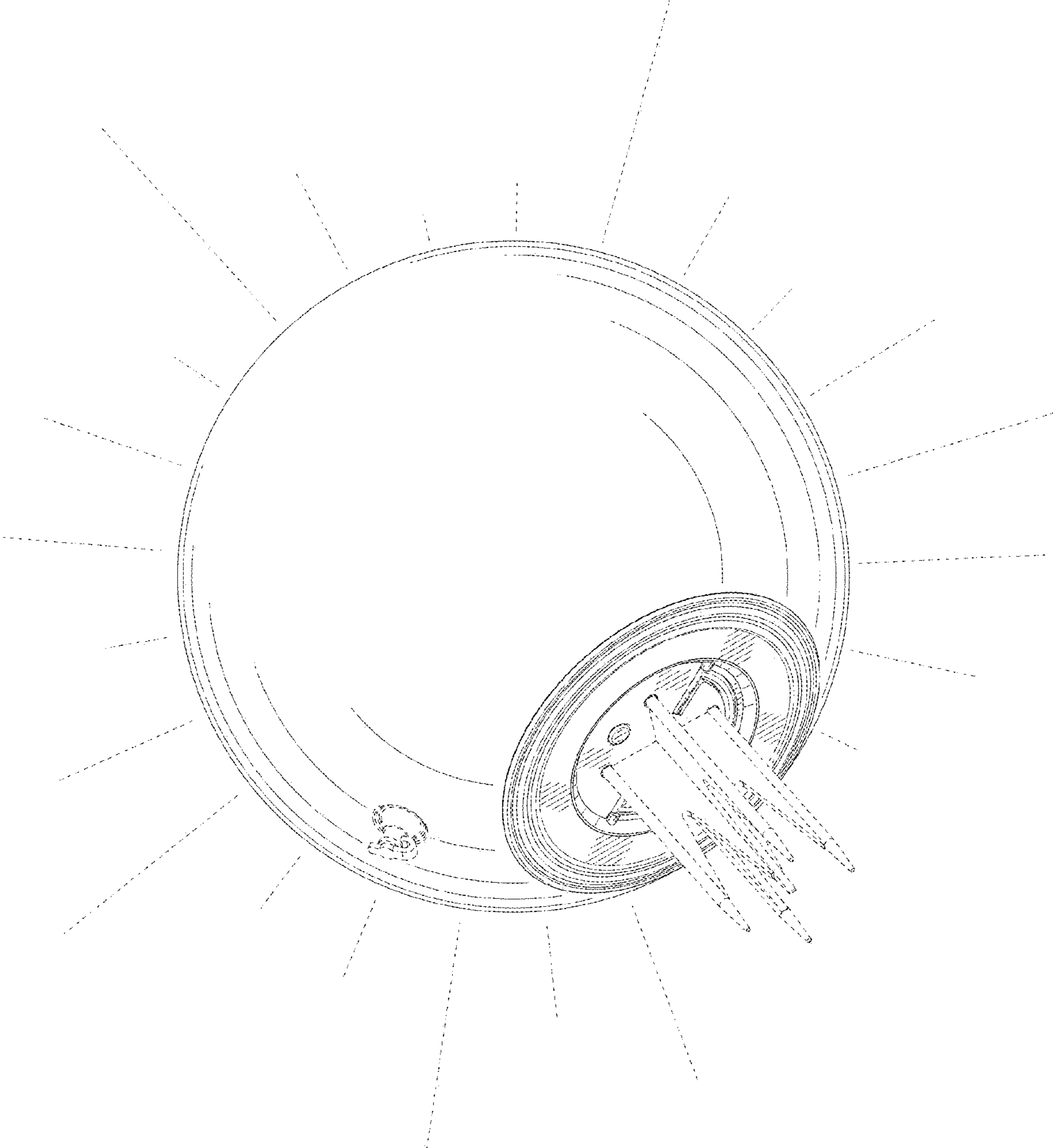


FIG.9